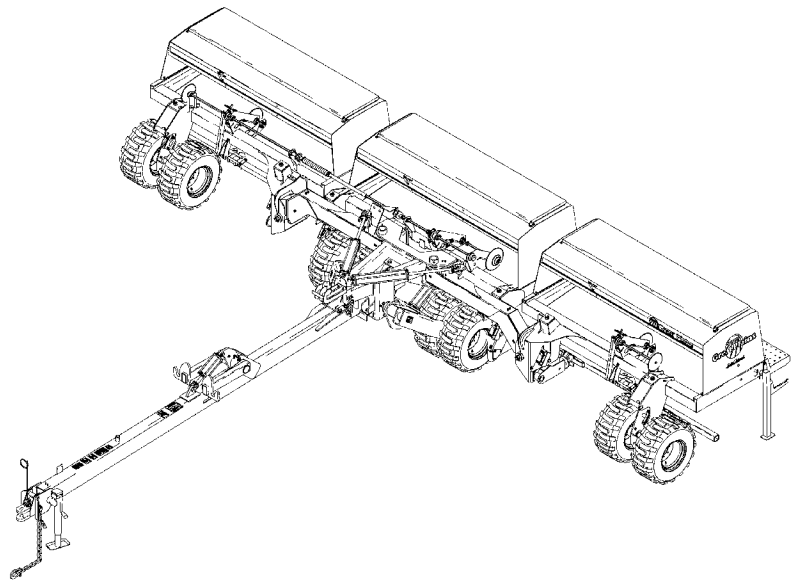

Parts Manual

3S-3000HD & 3S-3000HDF
Heavy Duty 30' 3-Section Folding Drill
1996+



Read the Operator's manual entirely. When you see this symbol, the subsequent instructions and warnings are serious - follow without exception. Your life and the lives of others depend on it!



15485

Cover illustration may show optional equipment not supplied with standard unit.



Table of Contents

Section 1: Introduction.....6	Vansco Shaft Monitor (Option).....74
Using This Manual.....6	Loup Shaft Monitor (2 Channel 116-282A) (3 Channel 116-283A).....76
Manual Replacement Information.....6	Gauge Wheels.....78
Manual Revisions.....6	Dual Gauge Wheel (S/N S3199-).....78
Touch-up Paint.....6	Dual Gauge Wheel (S/N S3200+).....82
Hardware Legend.....7	Single Gauge Wheel.....84
Replacement Hardware.....7	Drives.....87
Serial Numbers.....7	Right Hand Drive (S/N S1021-).....88
Part Number Service Coding.....7	Right Hand Drive (S/N S1022 - S/N S1562).....90
Tongue and Mainframe.....8	Right Hand Drive (S/N S1563+).....92
Hitch To Tongue.....8	Right Hand Fertilizer (S/N S1562-).....94
Transport Hook To Tongue.....10	Right Hand Fertilizer (S/N S1563+).....96
Mainframe To Tongue.....12	Right Hand Drive Fertilizer (Continued).....98
Transport Axle.....14	Right Hand Drive Point Row (Option) (S/N S1562-).....100
Transport Axle To Mainframe.....14	Right Hand Drive Point Row (Option) (S/N S1563+).....102
Transport Tires & Hub.....16	Center Drive.....104
Tool Bars.....18	Center Drive (Continued) (S/N S1021-).....106
Toolbar To Mainframe.....18	Center Drive (Continued) (S/N S1022 - S/N S1562).....108
Toolbar Pivots To Toolbars (S/N S1194-).....20	Center Drive (Continued) (S/N S1563+).....110
Toolbar Pivots To Box Frames.....22	Center Drive Fertilizer (S/N S1562-).....112
Box and Box Frames.....24	Center Drive Fertilizer (S/N S1563+).....114
Center Box And Center Frame To Mainframe.....24	Center Drive Point Row (Option) (S/N S1562-).....116
Center Box And Center Frame To Mainframe Fertilizer.....26	Center Drive Point Row (Option) (S/N S1563+).....118
Wing Box To Wing Frame.....28	Left Hand Drive (S/N S1562-).....120
Wing Box To Wing Frame Fertilizer.....30	Left Hand Drive (S/N S1563+).....122
Lid To Box.....32	Left Hand Drive Fertilizer (S/N S1562-).....124
Lid To Box Fertilizer.....34	Left Hand Drive Fertilizer (S/N S1563+).....126
Seed/Fertilizer Flap (195-177S).....36	Fertilizer Drive Subassy (195-184S).....128
Box Divider Fertilizer.....38	Clutch Linkage.....130
Spill Flap Fertilizer (195-176S).....40	Jaw Clutch S/N S1021-.....132
Fertilizer Tray To Box.....42	Jaw Clutch S/N S1022+ (Includes Fertilizer Drills).....134
Fertilizer Tray.....44	Right Hand Wing Clutch Fertilizer (195-186K).....136
Seed Level Indicator.....46	Left Hand Wing Clutch Fertilizer (195-187K).....138
Lights (S/N S2966-).....48	Openers.....140
Lights LED (S/N S2067+).....50	HD 00 Series Long Arm Opener (S/N S2242-).....140
Weight Bracket (S/N S1869-).....52	HD 00 Series Long Arm Opener (S/N S2243 - S2493).....142
Weight Bracket (S/N S1870+).....54	HD 00 Series Long Arm Opener (S/N S2494+).....144
Point Row Control Box With Cables.....56	HD 00 Series Short Arm Opener (S/N S2242-).....146
Walkboard, Step And Parking Stand To Box Frame (S/N S2030-).....58	HD 00 Series Short Arm Opener (S/N S2243 - S2493).....148
Walkboard, Step And Parking Stand To Box Frame (S/N S2031+).....60	HD 00 Series Short Arm Opener (S/N S2494+).....150
Right Hand And Left Hand Subframes To Box Frames.....62	Fertilizer Hose.....152
Center Subframe To Box Frame.....64	HD 00 6" Seed-Lok Assy. (Option) (122-009K).....154
Feeder Cup Channels.....66	HD 00 Keeton Seed Firmer.....156
6" Feeder Cup Spacing.....66	00 HD Scraper.....158
7 1/2" Feeder Cup Spacing.....68	00 HD Knock Down Kit.....160
10" Feeder Cup Spacing.....70	Press Wheels.....162
Seed Rate Adjustment Handle.....72	HD 1 1/4" X 13 1/4" Double Press Wheel.....162
	HD 1" x 12" Double "V" Press Wheel.....164

© Copyright 2017 All rights reserved Printed 05/08/17

Great Plains Manufacturing, Inc. provides this publication "as is" without warranty of any kind, either expressed or implied. While every precaution has been taken in the preparation of this manual, Great Plains Manufacturing, Inc. assumes no responsibility for errors or omissions. Neither is any liability assumed for damages resulting from the use of the information contained herein. Great Plains Manufacturing, Inc. reserves the right to revise and improve its products as it sees fit. This publication describes the state of this product at the time of its publication, and may not reflect the product in the future.

Great Plains Manufacturing, Incorporated Trademarks

The following are trademarks of Great Plains Mfg., Inc.: Application Systems, Ausherman, Land Pride, Great Plains

All other brands and product names are trademarks or registered trademarks of their respective holders.

Printed in the United States of America.



Table of Contents (continued)

HD 2" x 13" Single Press Wheel.....	166		
HD 3" x 13" Single Press Wheel.....	168		
HD 3" x 14" Peaked Single Press Wheel.....	170		
HD 4" x 12" Double Ribbed Single Press Wheel.....	172		
Hydraulics.....	174		
Fold Hydraulics.....	174		
Hydraulic Cylinder 2 x 8 x 1.12 (810-299C).....	176		
Transport Axle And Transport Hook Lift Hydraulics (S/N S1283-).....	178		
Transport Axle And Transport Hook Lift Hydraulics (S/N S1283+).....	180		
Opener Down Pressure Hydraulics (Closed Center) (S/N S1699-).....	182		
Opener Down Pressure Hydraulics (Closed Center) (S/N S1700+).....	184		
Opener Down Pressure Hydraulics With Point Row (Option) (S/N S1699-).....	186		
Opener Down Pressure Hydraulics With Point Row (Option) (S/N S1700+).....	188		
Opener Down Pressure Hydraulics (Open Center) (S/N S1699-).....	190		
Opener Down Pressure Hydraulics (Open Center) (S/N S1700+).....	192		
Double Selector Valve Mounting.....	194		
Transport Hook Midway Hydraulic Cylinder 3.5 x 8 x 1.25 (810-104C).....	196		
Transport Hook Monarch Hydraulic Cylinder 3.5 x 8 x 1.25 (810-104C).....	198		
Transport Hook Cross Hydraulic Cylinder 3.5 x 8 x 1.25 (810-104C).....	200		
Toolbar Fold Midway Hydraulic Cylinder 3.5 x 20 x 1.5 (810-298C).....	202		
Transport Axle Midway Hydraulic Cylinder 3.5 x 12 x 1.25 (810-316C).....	204		
Pressure Reducing Valve (810-301C).....	206		
Manifold Block (810-371C) (Option).....	208		
Hydraulic Hose Grips.....	210		
Decals.....	212		
Decal Placement.....	212		
Markers.....	214		
Flat Fold Marker.....	214		
Marker Disc Assembly (113-563S).....	218		
Single Marker Hydraulics.....	220		
Dual Markers Hydraulics.....	222		
Midway Hydraulic Cylinder 2.5 x 20 x 1.12 (810-118C).....	224		
Cross Hydraulic Cylinder 2.5 x 20 x 1.12 (810-118C).....	226		
Monarch Hydraulic Cylinder 2.5 x 20 x 1.12 (810-118C).....	228		
Double Selector Valve (810-274C).....	230		
Sequence Valve (810-197C).....	232		
Small Seeds.....	234		
Small Seeds Box To Frame.....	234		
Small Seeds Box Components.....	236		
Small Seeds Drive.....	238		
			Part Number Index.....240



Alphabetized Table of Contents

Selected Models

0		HD 00 Series Short Arm Opener (S/N S2243 - S2493).....148
00 HD Knock Down Kit.....160		HD 00 Series Short Arm Opener (S/N S2494+).....150
00 HD Scraper.....158		HD 1 1/4" X 13 1/4" Double Press Wheel.....162
1		HD 1" x 12" Double "V" Press Wheel.....164
10" Feeder Cup Spacing.....70		HD 2" x 13" Single Press Wheel.....166
6		HD 3" x 13" Single Press Wheel.....168
6" Feeder Cup Spacing.....66		HD 3" x 14" Peaked Single Press Wheel.....170
7		HD 4" x 12" Double Ribbed Single Press Wheel.....172
7 1/2" Feeder Cup Spacing.....68		Hitch To Tongue.....8
B		Hydraulic Cylinder 2 x 8 x 1.12 (810-299C).....176
Box Divider Fertilizer.....38		Hydraulic Hose Grips.....210
C		J
Center Box And Center Frame To Mainframe.....24		Jaw Clutch S/N S1021-.....132
Center Box And Center Frame To Mainframe Fertilizer.....26		Jaw Clutch S/N S1022+ (Includes Fertilizer Drills).....134
Center Drive.....104		L
Center Drive (Continued) (S/N S1021-).....106		Left Hand Drive (S/N S1562-).....120
Center Drive (Continued) (S/N S1022 - S/N S1562).....108		Left Hand Drive (S/N S1563+).....122
Center Drive (Continued) (S/N S1563+).....110		Left Hand Drive Fertilizer (S/N S1562-).....124
Center Drive Fertilizer (S/N S1562-).....112		Left Hand Drive Fertilizer (S/N S1563+).....126
Center Drive Fertilizer (S/N S1563+).....114		Left Hand Wing Clutch Fertilizer (195-187K).....138
Center Drive Point Row (Option) (S/N S1562-).....116		Lid To Box.....32
Center Drive Point Row (Option) (S/N S1563+).....118		Lid To Box Fertilizer.....34
Center Subframe To Box Frame.....64		Lights (S/N S2966-).....48
Clutch Linkage.....130		Lights LED (S/N S2067+).....50
Cross Hydraulic Cylinder 2.5 x 20 x 1.12 (810-118C).....226		Loup Shaft Monitor (2 Channel 116-282A) (3 Channel 116-283A).....76
D		M
Decal Placement.....212		Mainframe To Tongue.....12
Double Selector Valve (810-274C).....230		Manifold Block (810-371C) (Option).....208
Double Selector Valve Mounting.....194		Marker Disc Assembly (113-563S).....218
Dual Gauge Wheel (S/N S3199-).....78		Midway Hydraulic Cylinder 2.5 x 20 x 1.12 (810-118C).....224
Dual Gauge Wheel (S/N S3200+).....82		Monarch Hydraulic Cylinder 2.5 x 20 x 1.12 (810-118C).....228
Dual Markers Hydraulics.....222		O
F		Opener Down Pressure Hydraulics (Closed Center) (S/N S1699-).....182
Fertilizer Drive Subassy (195-184S).....128		Opener Down Pressure Hydraulics (Closed Center) (S/N S1700+).....184
Fertilizer Hose.....152		Opener Down Pressure Hydraulics (Open Center) (S/N S1699-).....190
Fertilizer Tray.....44		Opener Down Pressure Hydraulics (Open Center) (S/N S1700+).....192
Fertilizer Tray To Box.....42		Opener Down Pressure Hydraulics With Point Row (Option) (S/N S1699-).....186
Flat Fold Marker.....214		Opener Down Pressure Hydraulics With Point Row (Option) (S/N S1700+).....188
Fold Hydraulics.....174		P
H		Point Row Control Box With Cables.....56
HD 00 6" Seed-Lok Assy. (Option) (122-009K).....154		Pressure Reducing Valve (810-301C).....206
HD 00 Keeton Seed Firmer.....156		R
HD 00 Series Long Arm Opener (S/N S2242-).....140		Right Hand And Left Hand Subframes To Box Frames.....62
HD 00 Series Long Arm Opener (S/N S2243 - S2493).....142		Right Hand Drive (S/N S1021-).....88
HD 00 Series Long Arm Opener (S/N S2494+).....144		
HD 00 Series Short Arm Opener (S/N S2242-).....146		



Alphabetized Table of Contents (continued)

Right Hand Drive (S/N S1022 - S/N S1562).....90
Right Hand Drive (S/N S1563+).....92
Right Hand Drive Fertilizer (Continued).....98
Right Hand Drive Point Row (Option) (S/N S1562-)....100
Right Hand Drive Point Row (Option) (S/N S1563+)...102
Right Hand Fertilizer (S/N S1562-).....94
Right Hand Fertilizer (S/N S1563+).....96
Right Hand Wing Clutch Fertilizer (195-186K).....136

S

Seed Level Indicator.....46
Seed Rate Adjustment Handle.....72
Seed/Fertilizer Flap (195-177S).....36
Sequence Valve (810-197C).....232
Single Gauge Wheel.....84
Single Marker Hydraulics.....220
Small Seeds Box Components.....236
Small Seeds Box To Frame.....234
Small Seeds Drive.....238
Spill Flap Fertilizer (195-176S).....40

T

Toolbar Fold Midway Hydraulic Cylinder 3.5 x 20 x 1.5
(810-298C).....202
Toolbar Pivots To Box Frames.....22
Toolbar Pivots To Toolbars (S/N S1194-).....20
Toolbar To Mainframe.....18
Transport Axle And Transport Hook Lift Hydraulics (S/N
S1283+).....180
Transport Axle And Transport Hook Lift Hydraulics (S/N
S1283-).....178
Transport Axle Midway Hydraulic Cylinder 3.5 x 12 x 1.25
(810-316C).....204
Transport Axle To Mainframe.....14
Transport Hook Cross Hydraulic Cylinder 3.5 x 8 x 1.25
(810-104C).....200
Transport Hook Midway Hydraulic Cylinder 3.5 x 8 x 1.25
(810-104C).....196
Transport Hook Monarch Hydraulic Cylinder 3.5 x 8 x 1.25
(810-104C).....198
Transport Hook To Tongue.....10
Transport Tires & Hub.....16

V

Vansco Shaft Monitor (Option).....74

W

Walkboard, Step And Parking Stand To Box Frame (S/N
S2030-).....58
Walkboard, Step And Parking Stand To Box Frame (S/N
S2031+).....60
Weight Bracket (S/N S1869-).....52
Weight Bracket (S/N S1870+).....54
Wing Box To Wing Frame.....28
Wing Box To Wing Frame Fertilizer.....30



General Information

Using This Manual

This manual is divided into sections. The first section contains General Information, a Table of Contents, an Alphabetical Page Index, and a Part Number Index. The remaining sections divide the machine into segments (i.e. Frames, Drives, Hydraulics, etc.) which illustrate and list all parts.

The Great Plains parts in this manual are specially designed for this machine and should be replaced with Great Plains parts only.

The information in this manual is current at printing. Some parts may change to assure top performance.

Right-hand and left-hand as used in this manual are determined by facing the direction the machine will travel while in use.

Below is an example of two facing pages from a parts manual. Familiarize yourself with the contents of these pages.

Manual Replacement Information

Replacement manuals are available. Refer to your dealer or the Great Plains Publications Catalog for additional information.

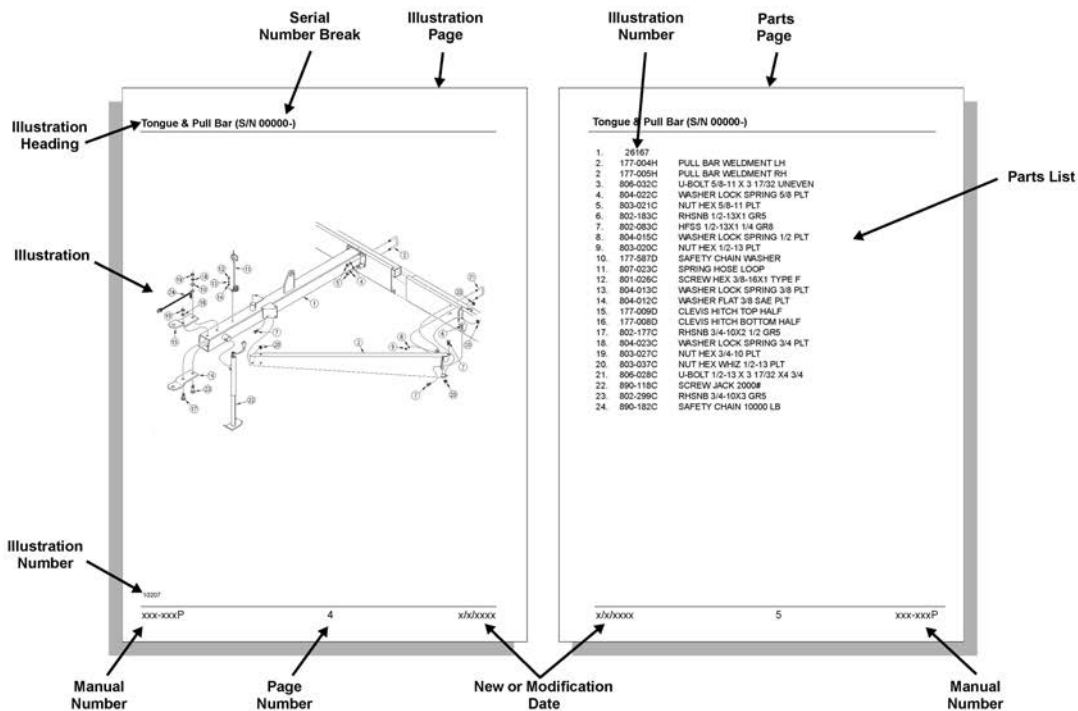
Manual Revisions

When this manual is revised, the modification date is printed on the front cover and on the revised page(s).

Touch-up Paint

Repaint parts where paint is worn or scratched to prevent rust. Aerosol touch-up paint is available. To order use Great Plains parts numbers below:

GP Green	821-001C
GP Black	821-002C
GP Beige	821-003C
GP Buckskin	821-004C



Hardware Legend

AR	As Required
BLADE	Blade Bolt
C	Cap Screw
CP	Cotter Pin
CPHSSS	Cup Point Hex Socket Set Screw
CPSHSS	Cup Point Square Head Set Screw
CPSQHSS	Cup Point Square Head Set Screw
CRFCHMS	Cross Recess Flat Countersunk Head Mach. Screw
CRPHMS	Cross Recess Pan Head Machine Screw
CRPHTFS	Cross Recess Pan Head Thread Forming
CRRHMS	Cross Recess Round Head Machine Screw
CRTHMS	Cross Recess Truss Head Machine Screw
CSNB	Countersunk Square Neck Bolt
FHMS	Flat Head Machine Screw
FTC	Full Thread Cap Screw
H	Hex Nut
HCLN	Hex Center Lock Nut
HFLCS	Hex Flange Lock Cap Screw
HFS	Hex Flange Screw
HFSLN	Hex Flange Serrated Lock Nut
HFSS	Hex Flange Serrated Screw
HHCS	Hex Head Cap Screw or Metric Bolt
HSBHCS	Hex Socket Button Head Cap Screw
HSFCHCS	Hex Socket Flat Countersunk Head Cap Screw
HSHCS	Hex Socket Head Cap Screw
HSSS	Hex Socket Head Screw
HTLN	Hex Top Lock Nut
HWHCS	Hex Washer Head Cap Screw

HWHMS	Hex Washer Head Machine Screw
HXBHCS	Hex Socket Button Head Cap Screw
J	Hex Jam Nut
JIC	37 Degree Tapered Thread
L	Helical Spring Lock Washer
LUG	Lug Bolt
NFC	National Fine Cap Screw
NPSM	National Pipe Straight Mechanical
NPTF	National Pipe Taper Fuel
P	Wide Plain Washer
PHMS	Pan Head Machine Screw
PLOW	Plow Bolt
RHMS	Round Head Machine Screw
RHSNB	Round Head Square Neck Bolt
SCREW LEVELING	Leveling Screw
SCREW THUMB	Thumb Screw
SCREW WELD	Weld Screw
SFCHMS	Slotted Flat Countersunk Head Machine Screw
SFHMS	Slotted Fillister Head Machine Screw
SP	Special
SP SCREW	Special Screw
SQHSS	Square Head Set Screw
SRHMS	Slotted Round Head Machine Screw
SSS	Socket Set Screw
STCS	Self Tapping Cap Screw
STHMS	Slotted Truss Head Machine Screw
WHEEL	Wheel Studs and Hub Long Bolts
WING	Wing Bolt

Replacement Hardware

The **Hardware Legend** above lists hardware abbreviations used in the parts lists. All bolts and nuts are grade 5 unless otherwise noted. The use of improper grades of hardware can result in personal injury, damage to equipment, or loss of property.

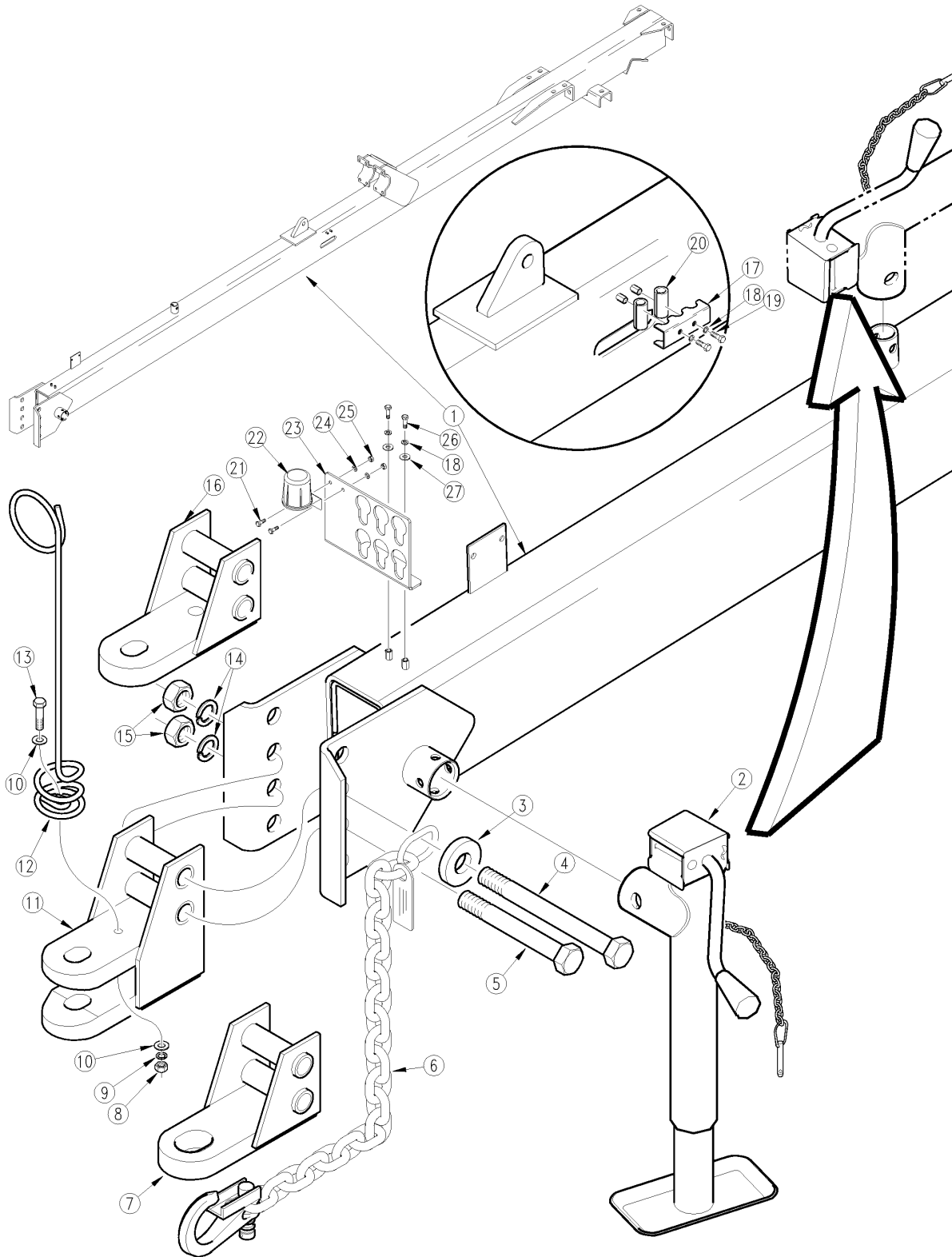
Serial Numbers

Always use the serial and model number when ordering parts. Refer to the operator's manual for serial number plate location.

- (S/N 20001+ or S/N 20001 and above) Includes serial numbers 20001 and above (to the latest number)
- (S/N 10001+→20000) Includes serial numbers between 10000 and 20001
- (S/N 10000- or S/N 10000 and below) Includes serial numbers 10000 and below (to the earliest number)

Hitch To Tongue

(Applies to 3S-3000 HD, 3S-3000 HDF only)



15437

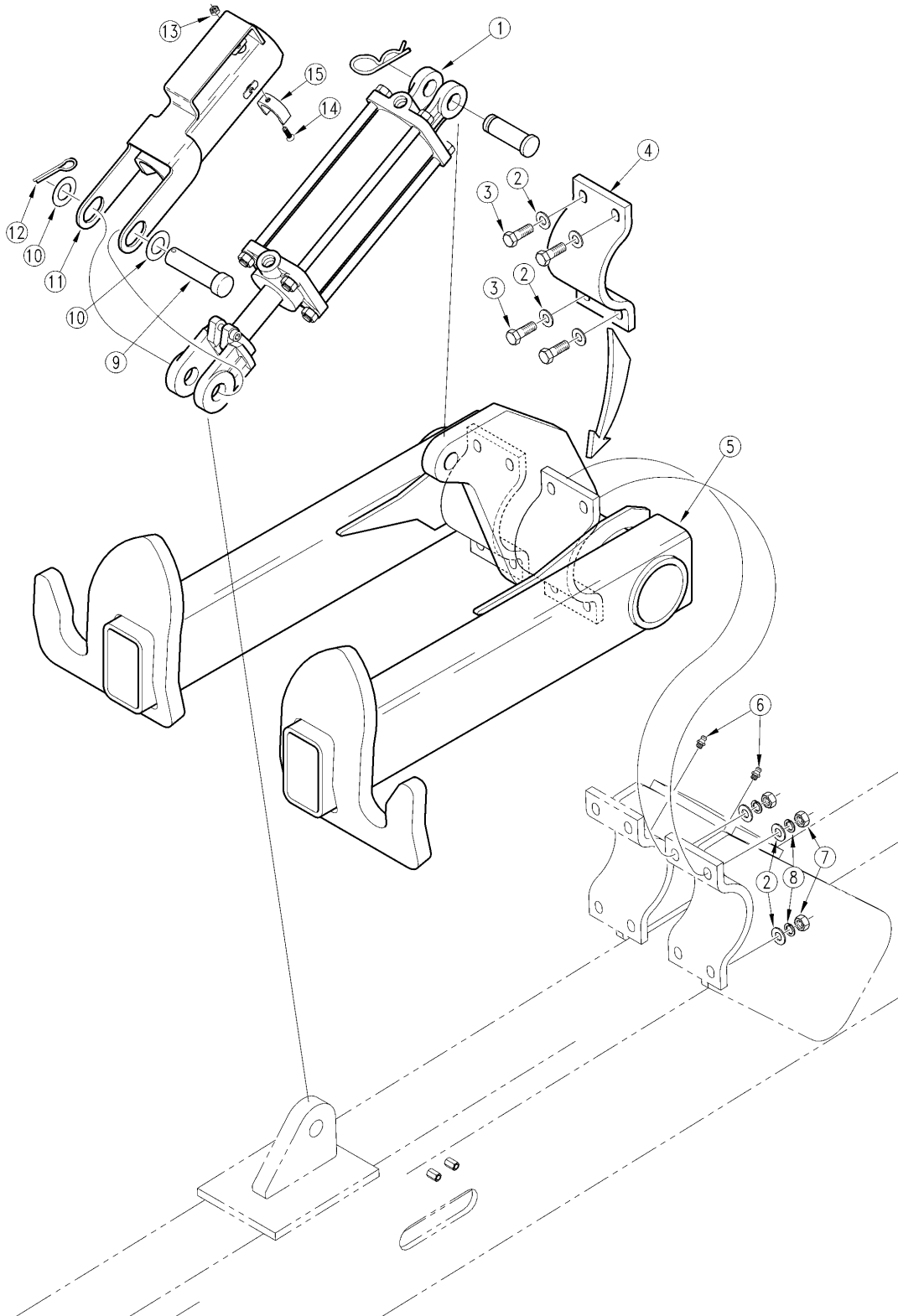
Hitch To Tongue

(Applies to 3S-3000 HD, 3S-3000 HDF only)

Ref	Part No.	Part Description	Comments	Revision
	dwg15437	Image No.		
1.	194-104H	30'-3S TONGUE		
2.	196-207A	JACK REPLACEMENT KIT		
3.	194-070D	SAFETY CHAIN WASHER		
4.	802-543C	HHCS 1 1/4-7X10 GR5 SPTH		
5.	802-544C	HHCS 1 1/4-7X9 GR5 SPTH		
6.	890-183C	SAFETY CHAIN 20000 LB		
7.	170-033H	SINGLE HITCH STRAP-LARGE		
8.	803-020C	NUT HEX 1/2-13 PLT		
9.	804-015C	WASHER LOCK SPRING 1/2 PLT		
10.	804-017C	WASHER FLAT 1/2 USS PLT		
11.	196-136H	CLEVIS HITCH WELDMENT		
12.	807-073C	SPRING HOSE LOOP HEAVY		
13.	802-039C	HHCS 1/2-13X3 GR5		
14.	804-030C	WASHER LOCK 1 1/4 SPRING PLT		
15.	803-034C	NUT HEX 1 1/4-7 PLT		
16.	170-034H	SINGLE HITCH STRAP-SMALL		
17.	196-146D	3-HOSE CLAMP BRACKET		
18.	804-009C	WASHER LOCK SPRING 5/16 PLT		
19.	802-010C	HHCS 5/16-18X1 1/4 GR5		
20.	113-370D	1/4 MARKER HYD HOSE GUARD		
21.	802-004C	HHCS 1/4-20X3/4 GR5		
22.	833-492C	7-PIN CONNECTOR HOLDER		
23.	196-998D	7-PIN CONNECTOR & HOSE HOLDER		
24.	804-006C	WASHER LOCK SPRING 1/4 PLT		
25.	803-006C	NUT HEX 1/4-20 PLT		
26.	802-159C	HHCS 5/16-18X1 GR5		
27.	804-010C	WASHER FLAT 5/16 USS PLT		

Transport Hook To Tongue

(Applies to 3S-3000 HD, 3S-3000 HDF only)



15438

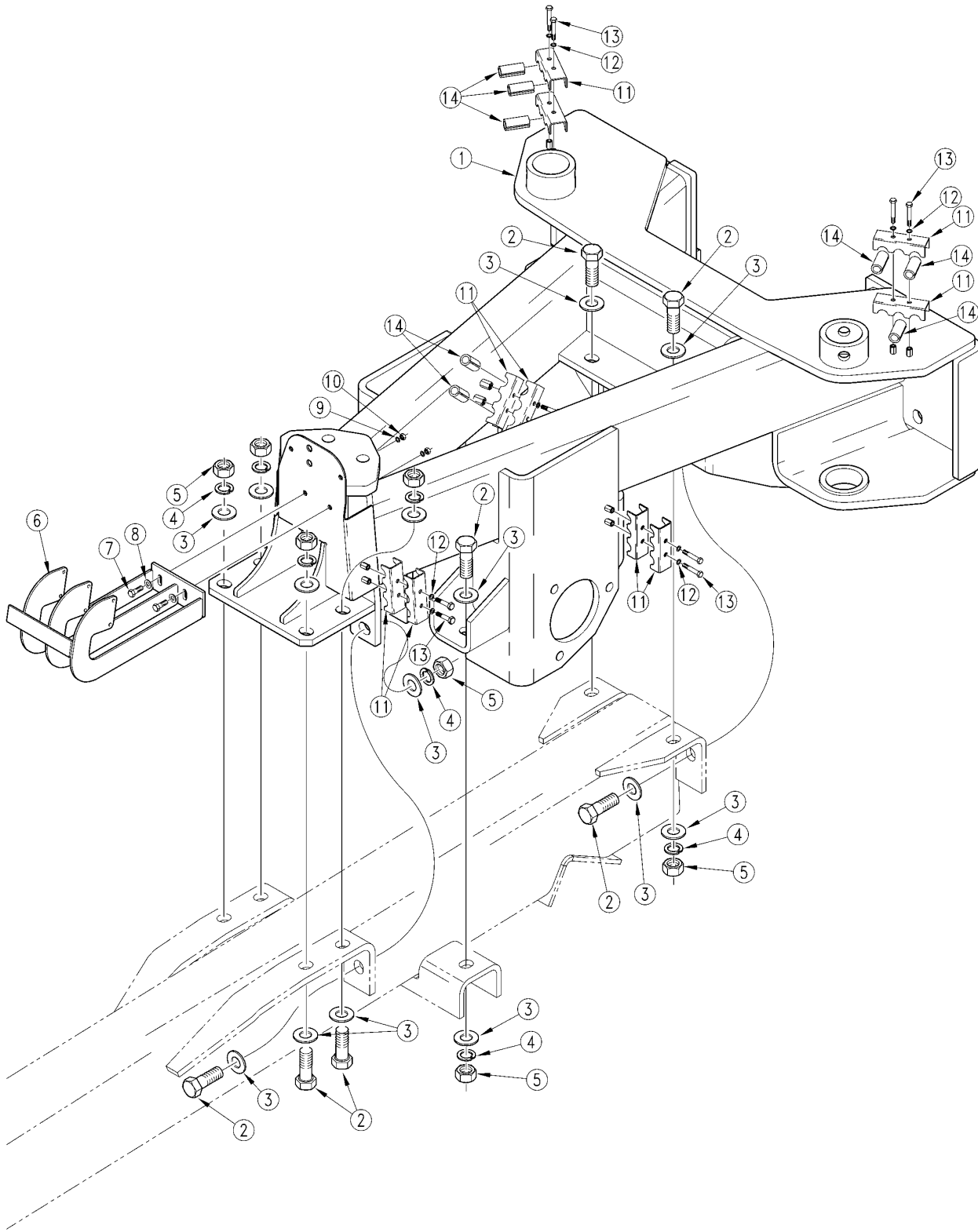
Transport Hook To Tongue

(Applies to 3S-3000 HD, 3S-3000 HDF only)

Ref	Part No.	Part Description	Comments	Revision
	dwg15438	Image No.		
1.	810-104C	CYL 3.5X8X1.25 ROD (TIE) 1 PIN	Refer to "Transport Hook Midway Hydraulic Cylinder 3.5 x 8 x 1.25 (810-104C)", "Transport Hook Monarch Hydraulic Cylinder 3.5 x 8 x 1.25 (810-104C)" & "Transport Hook Cross Hydraulic Cylinder 3.5 x 8 x 1.25 (810-104C)" for breakdown.	
2.	804-016C	WASHER FLAT 1/2 SAE PLT		
3.	802-128C	HHCS 1/2-13X2 GR5		
4.	185-014D	ROCKSHAFT HALF BAND CAP NOZERK		
5.	194-105H	TRANSPORT HOOKS WELDMENT		
6.	800-001C	GREASE ZERK STRAIGHT 1/4-28		
7.	803-020C	NUT HEX 1/2-13 PLT		
8.	804-015C	WASHER LOCK SPRING 1/2 PLT		
9.	805-124C	PIN CLEVIS 1 X 3 11/16 GR5 PLT		
10.	804-082C	WASHER MACH 1 3/4 X 1 X 18 GA		
11.	194-106H	CYLINDER LOCK WELDMENT		
12.	805-104C	PIN COTTER 3/16 X 1 1/2 PLT		
13.	803-006C	NUT-HEX 1/4-20 PLT		
14.	801-068C	FSHCS 1/4-20X1 PLT		
15.	817-308C	RPBY 194-174A		

Mainframe To Tongue

(Applies to 3S-3000 HD, 3S-3000 HDF only)



15439

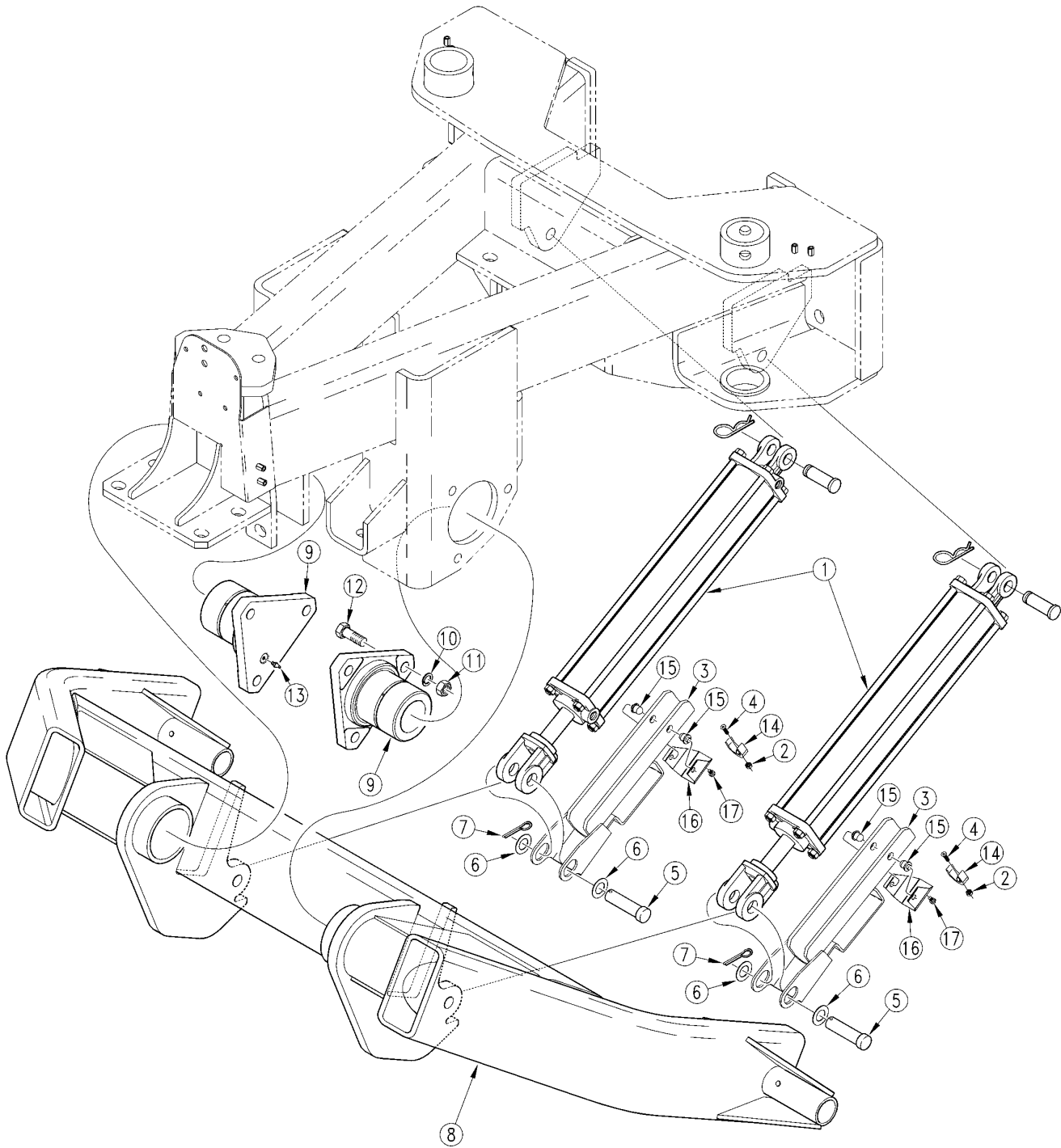
Mainframe To Tongue

(Applies to 3S-3000 HD, 3S-3000 HDF only)

Ref	Part No.	Part Description	Comments	Revision
	dwg15439	Image No.		
1.	194-108H	MAINFRAME WELDMENT		
2.	802-615C	HHCS 1-8X2 3/4 GR. 5		
3.	804-028C	WASHER FLAT 1 USS PLT		
4.	804-027C	WASHER LOCK SPRING 1 PLT		
5.	803-031C	NUT HEX 1-8 PLT		
6.	194-134H	VALVE MOUNT BRACKET		
7.	802-079C	HHCS 3/8-16X1 1/4 GR5		
8.	804-011C	WASHER FLAT 3/8 USS PLT		
9.	804-013C	WASHER LOCK SPRING 3/8 PLT		
10.	803-014C	NUT HEX 3/8-16 PLT		
11.	196-112D	RPBY 196-146D		
12.	804-009C	WASHER LOCK SPRING 5/16 PLT		
13.	802-138C	HHCS 5/16-18X2 1/4 GR5		
14.	113-370D	1/4 MARKER HYD HOSE GUARD		

Transport Axle To Mainframe

(Applies to 3S-3000 HD, 3S-3000 HDF only)



15440

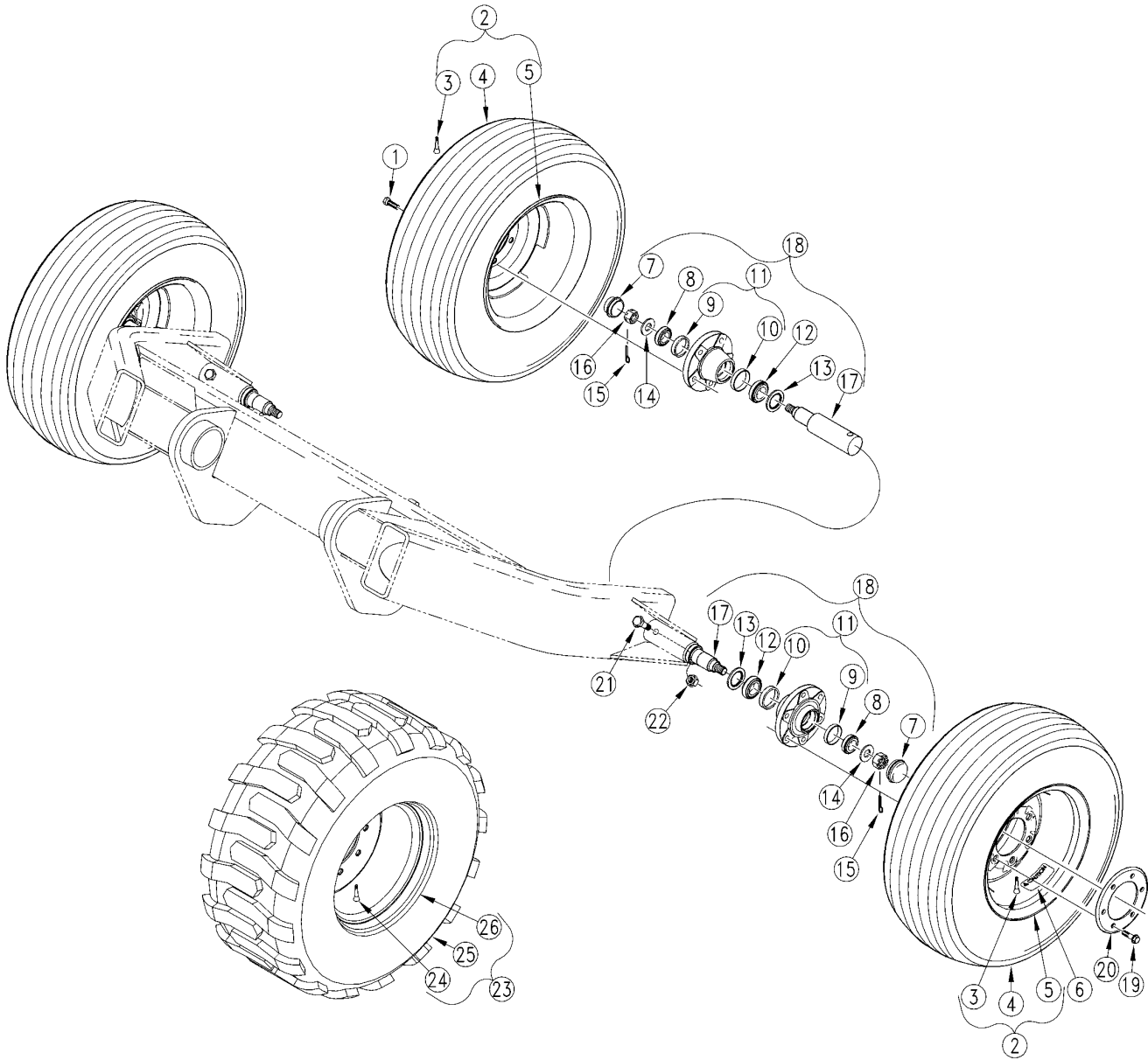
Transport Axle To Mainframe

(Applies to 3S-3000 HD, 3S-3000 HDF only)

Ref	Part No.	Part Description	Comments	Revision
	dwg15440	Image No.		
1.	810-316C	CYL 3.5X12X1.25 ROD (TIE ROD)	Refer to "Transport Axle Midway Hydraulic Cylinder 3.5 x 12 x 1.25 (810-316C)" for breakdown.	
2.	803-006C	NUT-HEX 1/4-20 PLT		
3.	194-113H	TRANSPORT AXLE CYL LOCK		
4.	801-068C	FSHCS 1/4-20X1 PLT		
5.	805-124C	PIN CLEVIS 1 X 3 11/16 GR5 PLT		
6.	804-082C	WASHER MACH 1 3/4 X 1 X 18 GA		
7.	805-104C	PIN COTTER 3/16 X 1 1/2 PLT		
8.	194-110H	TRANSPORT AXLE WELDMENT		
9.	148-402D	3-BOLT PIVOT BUSH 4 1/2 ID TB		
10.	804-023C	WASHER LOCK SPRING 3/4 PLT		
11.	803-027C	NUT HEX 3/4-10 PLT		
12.	802-212C	HHCS 3/4-10X2 1/2 GR5		
13.	800-001C	GREASE ZERK STRAIGHT 1/4-28		
14.	817-308C	RPBY 194-174A		
15.	194-402D	PLASTIC CYL LOCK BUMPER		
16.	194-401D	LOCK SPRING CLIP		
17.	802-283C	HHCS 1/4-20X1/2 GR2		

Transport Tires & Hub

(Applies to 3S-3000 HD, 3S-3000 HDF only)



15441

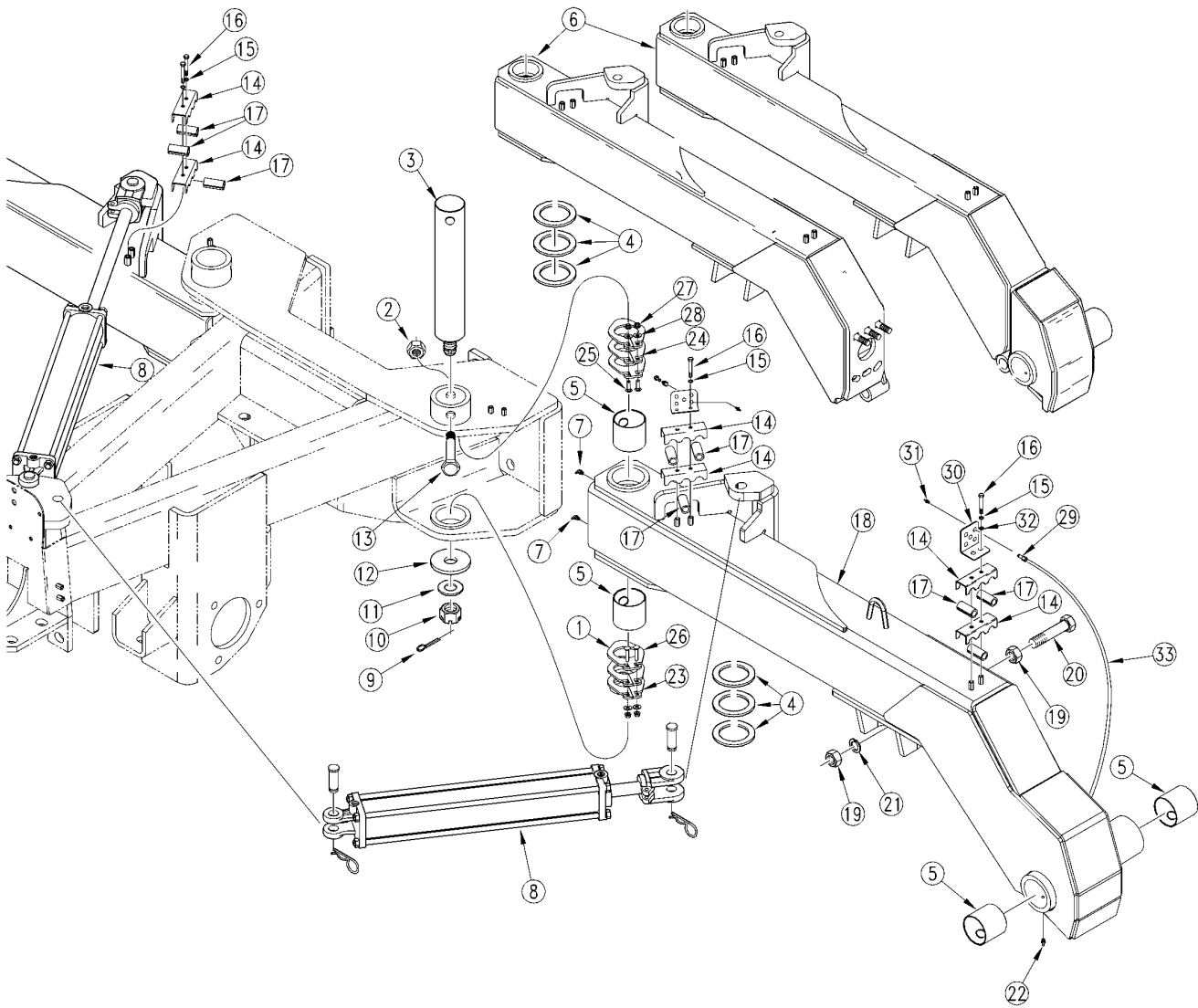
Transport Tires & Hub

(Applies to 3S-3000 HD, 3S-3000 HDF only)

Ref	Part No.	Part Description	Comments	Revision
	dwg15441	Image No.		
1.	802-104C	BOLT WHEEL 1/2-20X1 90-DEG		
2.	155-012K	TRANSPORT WHEEL & TIRE ASSY	Includes items 3 through 5 S/N S3236-	
2.	155-007K	TRANSPORT WHEEL/TIRE ASY BKS	S/N S3237+	
3.	816-035C	VALVE STEM TR415X.625X1 1/4 LG		
4.	814-031C	TIRE 11L-15SL 12 PLY TUBELESS		
5.	814-023C	WHEEL 15 DIA X 10 WIDE X 6 BLT	S/N S3236-	
5.	814-551C	WHEEL 15 DIA X 10 WIDE X 6 BLT BKS	S/N S3237+	
6.	818-752C	DECAL CAUTION TIRE 52 PSI		
7.	200-001D	HUB GREASE CAP		
8.	822-021C	BEARING CONE LM-67048		
9.	822-020C	BEARING CUP LM-67010		
10.	822-053C	BEARING CUP #LM 501310		
11.	815-094C	HUB 6 BOLT 4570# W/CUPS PAINTD	Includes items 9 & 10	
12.	822-048C	BEARING CONE #LM 501349		
13.	816-265C	SEAL 1.875 ID X 3.00 OD QDS		
14.	181-064D	7/8 SPINDLE WASHER, HARDENED		
15.	805-016C	PIN COTTER 3/16 X 1 1/4 PLT		
16.	803-029C	NUT HEX SLOTTED 7/8-14 PLT		
17.	815-089C	SPINDLE SGL 1.98X11.00		
18.	815-090C	HUB & SPINDLE 6 BOLT 4570 LB	Includes items 7 through 17	
19.	802-399C	HFS 1/2-20X1 1/2 GR5		
20.	152-215D	WHEEL REINFORCING RING	Only on outside dual gauge wheels	
21.	802-153C	HHCS 5/8-11X3 3/4 GR5		
22.	803-024C	NUT LOCK 5/8-11 PLT		
23.	196-274K	RH TIRE/RIM 265/70B16.5 SKID 6	Includes items 24 through 26 S/N S3236-	
23.	196-275K	LH TIRE/RIM 265/70B16.5 SKID 6	Includes items 24 through 26 S/N S3236-	
23.	196-543K	LH TIRE/RIM265/70B16.5SKID6 BK	S/N S3237+	
23.	196-542K	RH TIRE/RIM265/70B16.5SKID6BKS	S/N S3237+	
24.	814-210C	VALVE STEM METAL TR-575 TUBLES		
25.	814-207C	TIRE SKID ST 265/70B16.5 NHS		
26.	814-209C	RIM 16.5X8.25, 6 BLT 4.63 PILT	S/N S3236-	
26.	814-554C	RIM16.5X8.25 6BLT 4.63PILT BKS	S/N S3237+	

Toolbar To Mainframe

(Applies to 3S-3000 HD, 3S-3000 HDF only)



15442

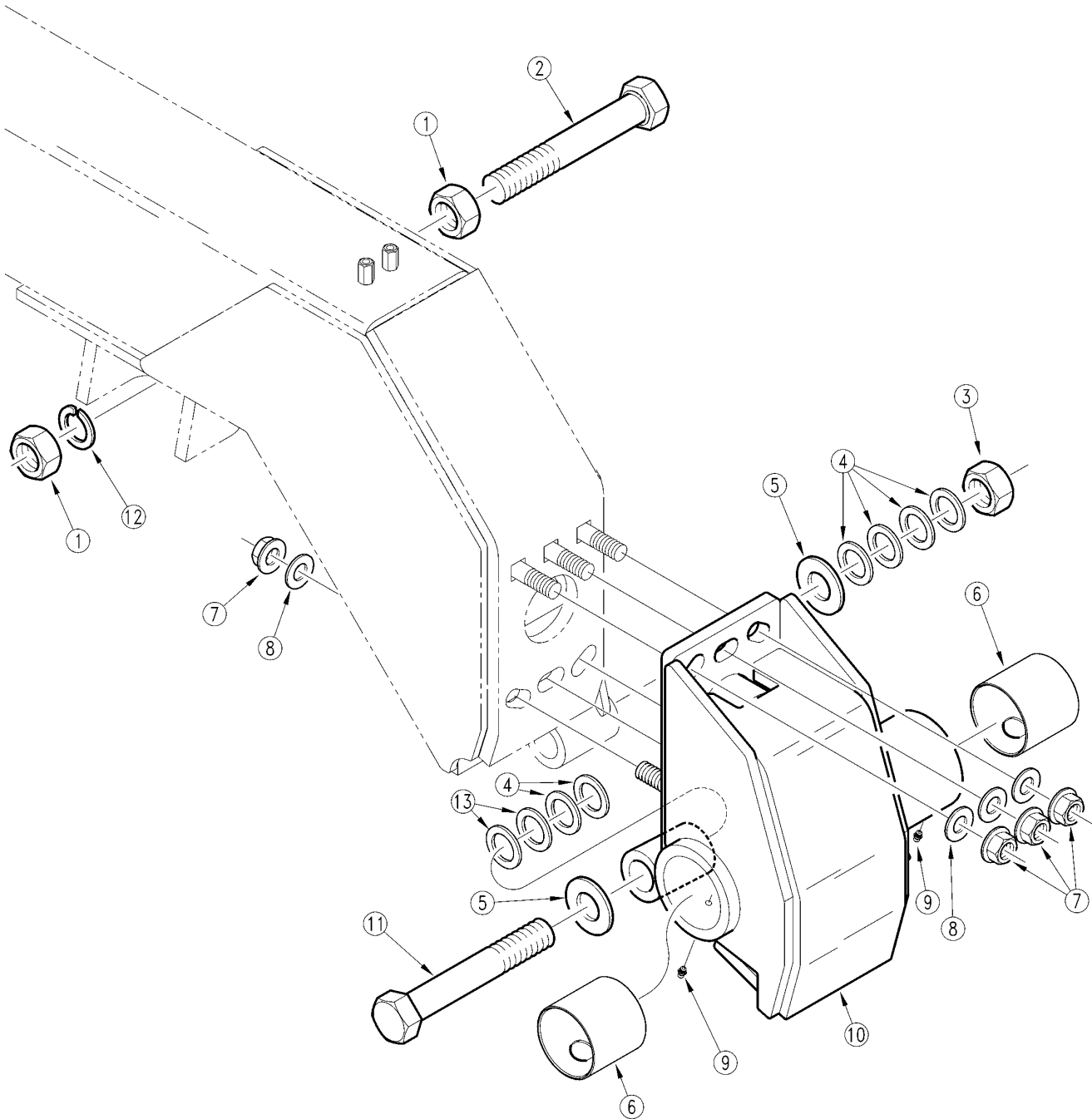
Toolbar To Mainframe

(Applies to 3S-3000 HD, 3S-3000 HDF only)

Ref	Part No.	Part Description	Comments	Revision
	dwg15442	Image No.		
1.	194-525D	HARDENED SPACER WASHER W/SLOTS		
2.	803-028C	NUT NY-LOK 7/8-9 PLT		
3.	194-268D	TOOLBAR VERTICAL PIVOT PIN		
4.	194-270D	TOOLBAR SPACER WASHER		
5.	890-193C	STEEL BUSHING 3 1/4X3IDX3LONG		
6.	194-118H	TOOLBAR LH OBSO REPLBY194-151H	(S/N S1194-)	
6.	194-117H	TOOLBAR RH OBSO REPLBY194-150H	(S/N S1194-)	
7.	800-436C	ADAPT 90 SWIVEL 1/4-28M X 1/4	W/GB	JUL 2012+
8.	810-298C	CYL 3.5X20X1.5 ROD (TIE ROD)	Refer to page 11-19 for breakdown.	
9.	805-085C	PIN COTTER 5/16 X 2 1/2		
10.	803-079C	NUT HEX SLOTTED 1 1/4 - 7		
11.	804-035C	WASHER FLAT 1 1/4 USS PLT		
12.	197-001D	BOX HINGE PIVOT WASHER		
13.	802-178C	HHCS 7/8-9X5 1/2 GR5		
14.	196-112D	HOSE CLAMP BRACKET		
15.	804-009C	WASHER LOCK SPRING 5/16 PLT		
16.	802-705C	HHCS 5/16-18X5/8	W/GB	JUL 2012+
17.	113-370D	1/4 MARKER HYD HOSE GUARD		
18.	194-151H	3S-3000 TOOLBAR LH	Shown. (S/N S1195+)	
18.	194-150H	3S-3000 TOOLBAR RH	(S/N S1195+)	
19.	803-032C	NUT HEX JAM 1 1/4-7 PLT		
20.	802-273C	HHCS 1 1/4-7X4 1/2 GR5		
21.	804-030C	WASHER LOCK 1 1/4 SPRING PLT		
22.	800-211C	GREASE ADAPT 1/4-28M X 1/4 TB	W/GB	JUL 2012+
23.	194-526D	SPLIT SPACER WASHER,INNER LOCK		
24.	194-527D	SPLIT SPACER WASHER,OUTER LOCK		
25.	802-155C	RHSNB 3/8-16X1 1/4 GR5		
26.	802-252C	RHSNB 3/8-16X1 3/4 GR5		
27.	803-209C	NUT FLANGE LOCK 3/8-16 PLT		
28.	804-011C	WASHER FLAT 3/8 USS PLT		
29.	800-449C	AD PUSH 1/4 TUBE 1/8 FNPT		
30.	194-577D	5 OUTLET GREASE BANK		
31.	800-130C	GREASE ZERK STRAIGHT 1/8-27NPT		
32.	804-036C	WASHER FLAT 5/16 SAE PLT	W/GB	JUL 2012+
33.	990-109R	TUBE NYLON 1/4OD X 062WL	W/GB	JUL 2012+

Toolbar Pivots To Toolbars (S/N S1194-)

(Applies to 3S-3000 HD, 3S-3000 HDF only)



15443

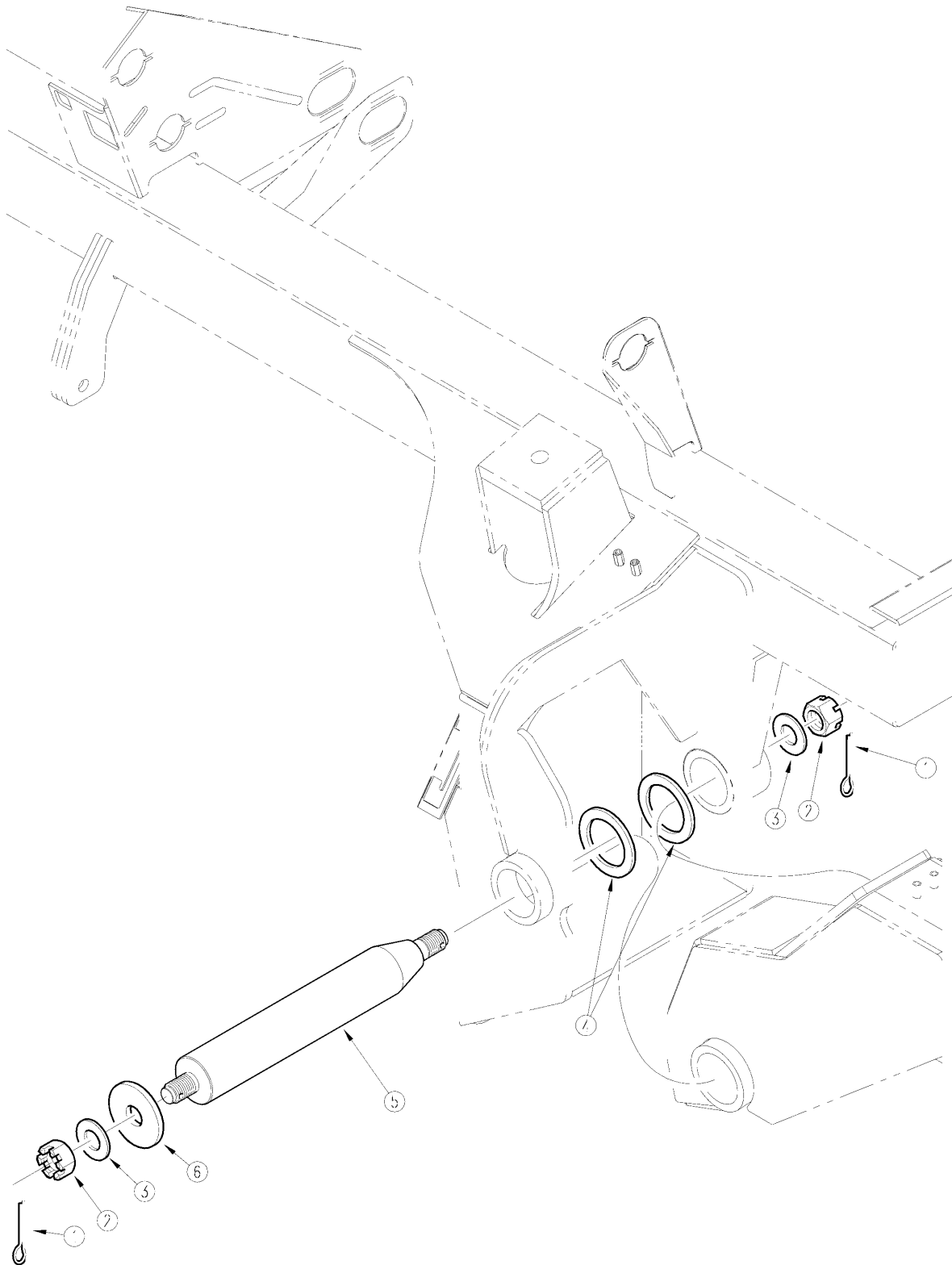
Toolbar Pivots To Toolbars (S/N S1194-)

(Applies to 3S-3000 HD, 3S-3000 HDF only)

Ref	Part No.	Part Description	Comments	Revision
	dwg15443	Image No.		
1.	803-032C	NUT HEX JAM 1 1/4-7 PLT		
2.	802-273C	HHCS 1 1/4-7X4 1/2 GR5		
3.	803-081C	NUT HEX 1 1/4-7 NYLON INSERT		
4.	804-062C	WASHER MACH 1.88 X 1.25 X 10GA		
5.	804-039C	WASHER FLAT 1 1/4 SAE PLT		
6.	890-193C	STEEL BUSHING 3 1/4X3IDX3LONG		
7.	803-214C	NUT HEX FLANGE 3/4-10 GR5 PLT		
8.	804-025C	WASHER FLAT 3/4 SAE PLT		
9.	800-001C	GREASE ZERK STRAIGHT 1/4-28		
10.	194-115H	TOOLBAR PIVOT WELDMENT LH		
10.	194-120H	TOOLBAR PIVOT WELDMENT RH		
11.	802-544C	HHCS 1 1/4-7X9 GR5 SPTH		
12.	804-030C	WASHER LOCK 1 1/4 SPRING PLT		
13.	804-141C	WASHER MACH 1.88 X 1.26 X .048		

Toolbar Pivots To Box Frames

(Applies to 3S-3000 HD, 3S-3000 HDF only)



15444

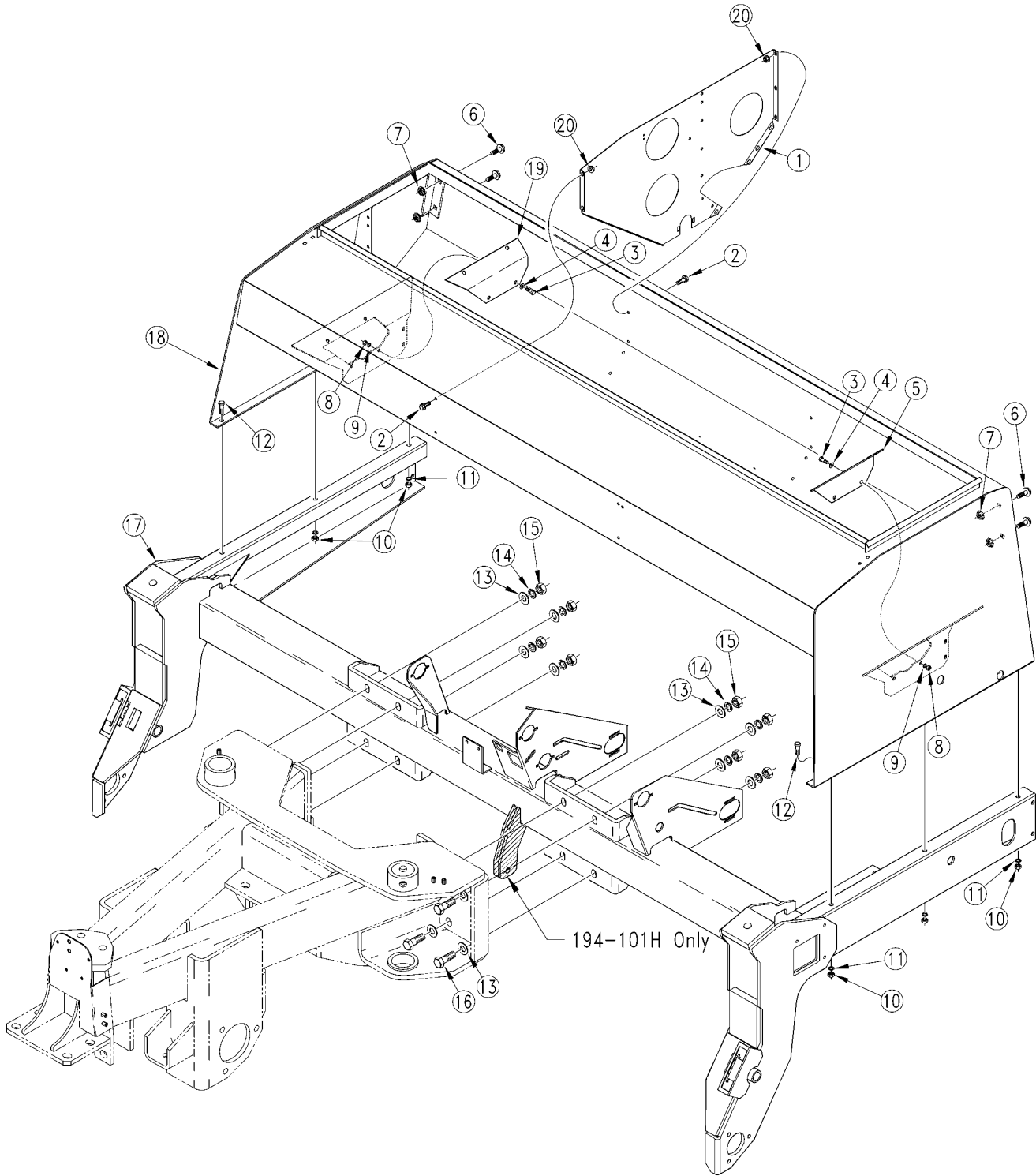
Toolbar Pivots To Box Frames

(Applies to 3S-3000 HD, 3S-3000 HDF only)

Ref	Part No.	Part Description	Comments	Revision
	dwg15444	Image No.		
1.	805-085C	PIN COTTER 5/16 X 2 1/2		
2.	803-079C	NUT HEX SLOTTED 1 1/4 - 7		
3.	804-035C	WASHER FLAT 1 1/4 USS PLT		
4.	194-270D	TOOLBAR SPACER WASHER		
5.	194-269D	TOOLBAR HORIZONTAL PIVOT PIN		
6.	197-001D	BOX HINGE PIVOT WASHER		

Center Box And Center Frame To Mainframe

(Applies to 3S-3000 HD, 3S-3000 HDF only)



15445

Center Box And Center Frame To Mainframe

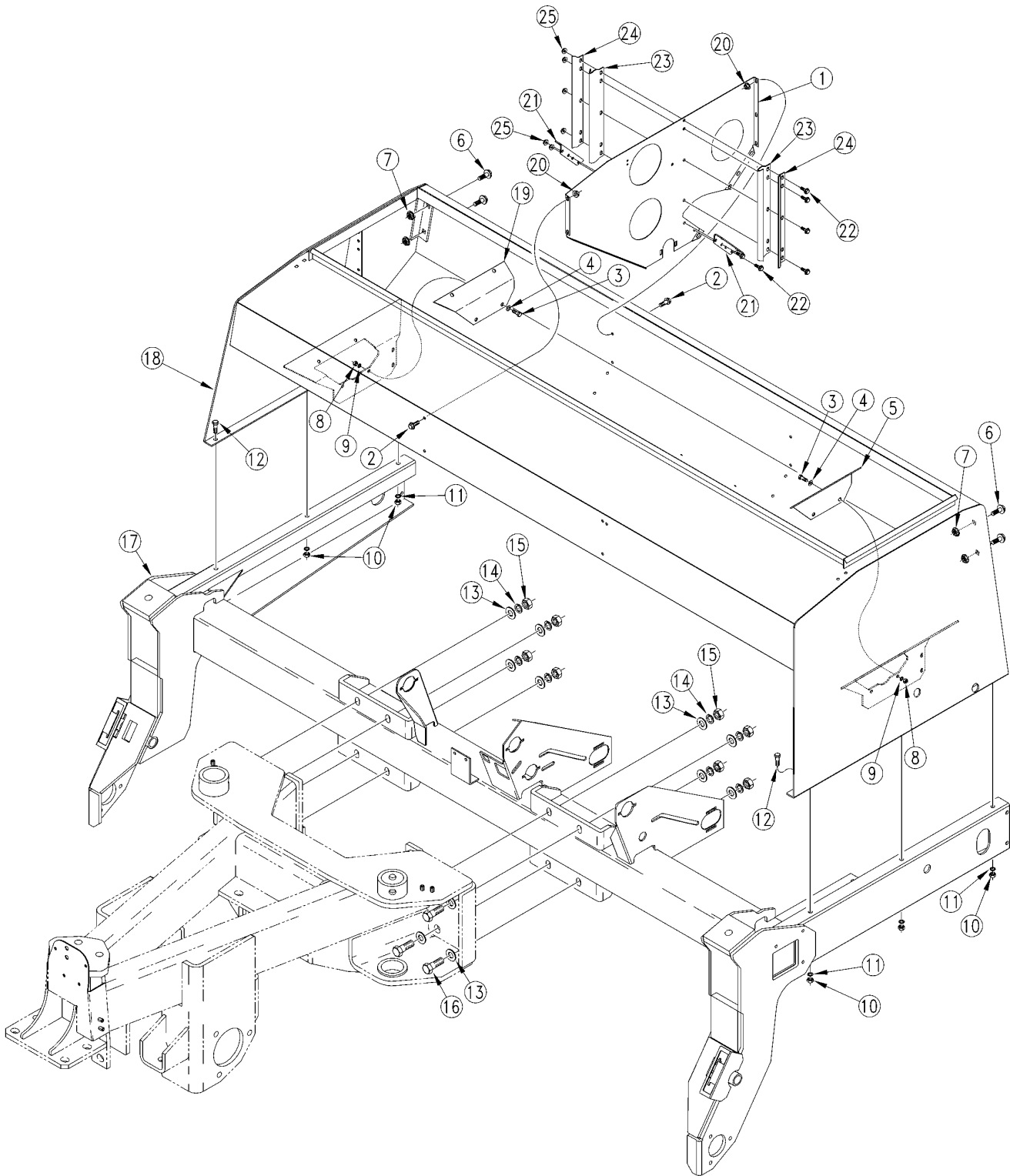
(Applies to 3S-3000 HD, 3S-3000 HDF only)

Ref	Part No.	Part Description	Comments	Revision
	dwg15445	Image No.		
1.	195-100D	3S BOX PARTITION		
2.	802-387C	HFS 5/16-18X3/4 GR5		
3.	802-079C	HHCS 3/8-16X1 1/4 GR5		
4.	804-011C	WASHER FLAT 3/8 USS PLT		
5.	195-101D	INTERIOR ENDPANEL COVER LH		
6.	802-203C	HFSS 1/2-13X1 1/2 GR5		
7.	803-169C	NUT HEX FLG. LOCK 1/2-13 PLT.		
8.	803-014C	NUT HEX 3/8-16 PLT		
9.	804-013C	WASHER LOCK SPRING 3/8 PLT		
10.	803-020C	NUT HEX 1/2-13 PLT		
11.	804-015C	WASHER LOCK SPRING 1/2 PLT		
12.	802-034C	HHCS 1/2-13X1 1/4 GR5		
13.	804-134C	WASHER FLAT 7/8 USS PLT		
14.	804-037C	WASHER LOCK SPRING 7/8 PLT		
15.	803-049C	NUT HEX 7/8-9 PLT		
16.	802-103C	HHCS 7/8-9X2 3/4 GR5		
17.	194-146H	30'-3S CENTER BOX FRAME	(S/N S1022+)	Rev. 2 is not interchangeable w/rev. 1
17.	194-101H	30'-3S CENTER BOX FRAME	(S/N S1021-)	1st rev.
18.	195-437S	3000 SEED BOX ASSEMBLY		
19.	195-102D	INTERIOR ENDPANEL COVER RH		
20.	803-199C	NUT HEX FLANGE 5/16-18 PLT		

[Table of Contents](#) [Part Number Index](#)

Center Box And Center Frame To Mainframe Fertilizer

(Applies to 3S-3000 HD, 3S-3000 HDF only)



16414

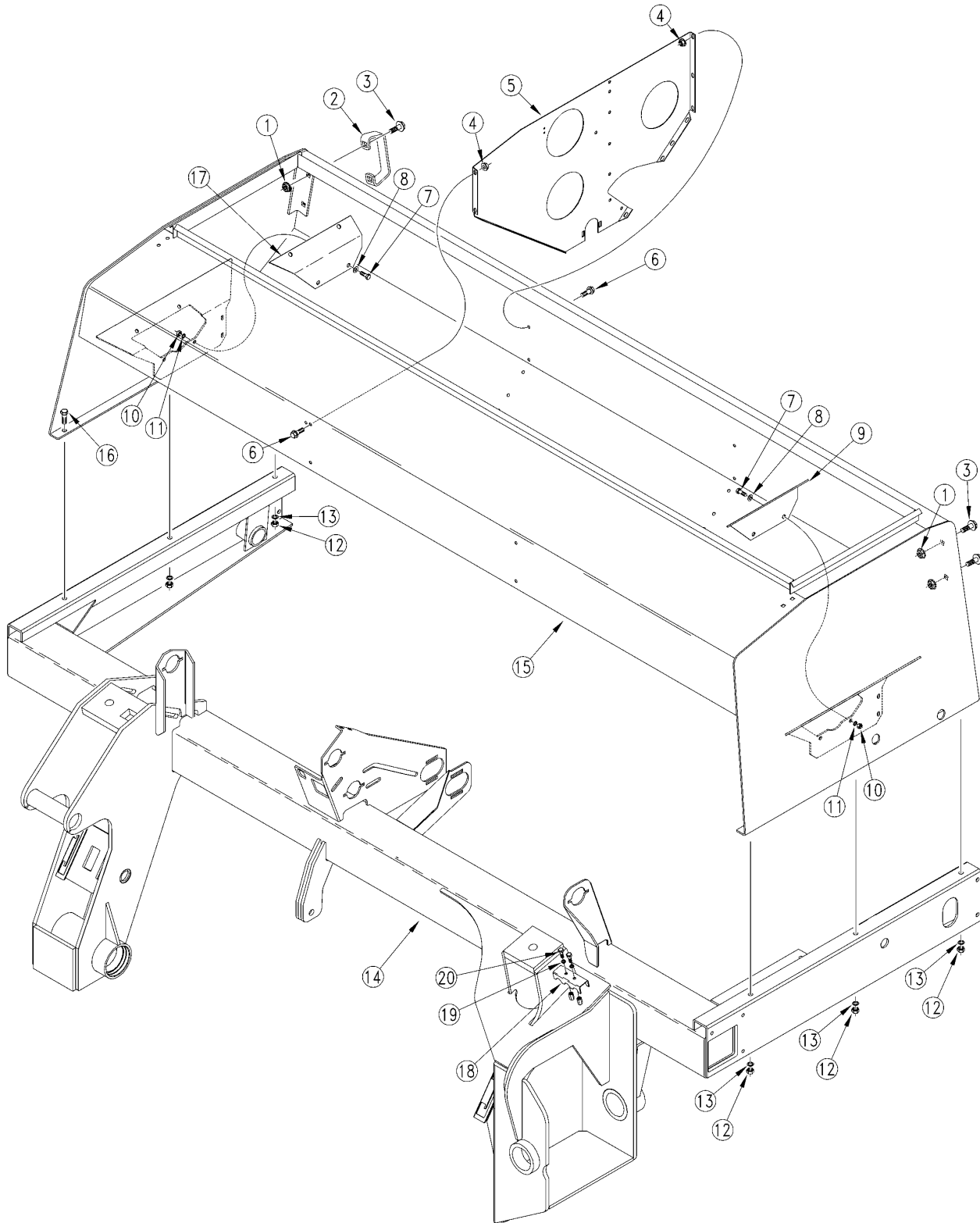
Center Box And Center Frame To Mainframe Fertilizer

(Applies to 3S-3000 HD, 3S-3000 HDF only)

Ref	Part No.	Part Description	Comments	Revision
	dwg16414	Image No.		
1.	195-100D	3S BOX PARTITION		
2.	802-387C	HFS 5/16-18X3/4 GR5		
3.	802-079C	HHCS 3/8-16X1 1/4 GR5		
4.	804-011C	WASHER FLAT 3/8 USS PLT		
5.	195-101D	INTERIOR ENDPANEL COVER LH		
6.	802-203C	HFSS 1/2-13X1 1/2 GR5		
7.	803-169C	NUT HEX FLG. LOCK 1/2-13 PLT.		
8.	803-014C	NUT HEX 3/8-16 PLT		
9.	804-013C	WASHER LOCK SPRING 3/8 PLT		
10.	803-020C	NUT HEX 1/2-13 PLT		
11.	804-015C	WASHER LOCK SPRING 1/2 PLT		
12.	802-034C	HHCS 1/2-13X1 1/4 GR5		
13.	804-134C	WASHER FLAT 7/8 USS PLT		
14.	804-037C	WASHER LOCK SPRING 7/8 PLT		
15.	803-049C	NUT HEX 7/8-9 PLT		
16.	802-103C	HHCS 7/8-9X2 3/4 GR5		
17.	194-146H	30'-3S CENTER BOX FRAME		
18.	195-437S	3000 SEED BOX ASSEMBLY		
19.	195-102D	INTERIOR ENDPANEL COVER RH		
20.	803-199C	NUT HEX FLANGE 5/16-18 PLT		
21.	195-205D	DIVIDER ANGLE BRACKET		
22.	802-442C	HFSS 5/16-18X1 1/4		
23.	195-206D	DIVIDER CLIP INNER		
24.	195-207D	DIVIDER CLIP OUTER		
25.	803-177C	803-184 FLG TP LK 5/16-18ZNYCR		

Wing Box To Wing Frame

(Applies to 3S-3000 HD, 3S-3000 HDF only)



15446

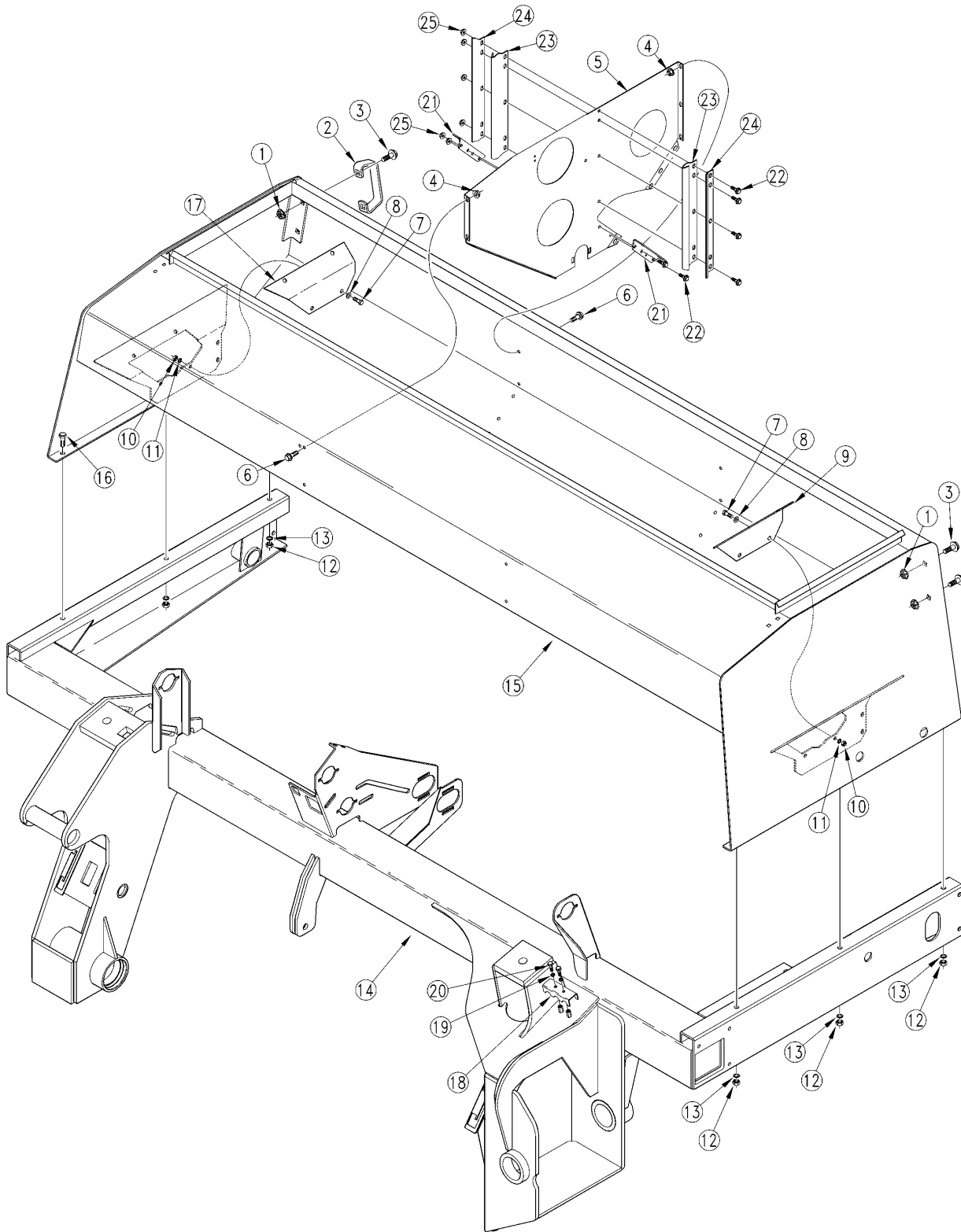
Wing Box To Wing Frame

(Applies to 3S-3000 HD, 3S-3000 HDF only)

Ref	Part No.	Part Description	Comments	Revision
	dwg15446	Image No.		
1.	803-169C	NUT HEX FLG. LOCK 1/2-13 PLT.		
2.	119-190D	HANDLE		
3.	802-203C	HFSS 1/2-13X1 1/2 GR5		
4.	803-199C	NUT HEX FLANGE 5/16-18 PLT		
5.	195-100D	3S BOX PARTITION		
6.	802-387C	HFS 5/16-18X3/4 GR5		
7.	802-079C	HHCS 3/8-16X1 1/4 GR5		
8.	804-011C	WASHER FLAT 3/8 USS PLT		
9.	195-101D	INTERIOR ENDPANEL COVER LH		
10.	803-014C	NUT HEX 3/8-16 PLT		
11.	804-013C	WASHER LOCK SPRING 3/8 PLT		
12.	803-020C	NUT HEX 1/2-13 PLT		
13.	804-015C	WASHER LOCK SPRING 1/2 PLT		
14.	194-145H	30'-3S WING BOX FRAME RH	S/N S1022+ (shown)	Rev. 2 is not interchangeable w/rev. 1
14.	194-102H	30'-3S WING BOX FRAME RH	S/N S1021-	1st rev.
14.	194-147H	30'-3S WING BOX FRAME LH	S/N S1022+	Rev. 2 is not interchangeable w/rev. 1
14.	194-100H	30'-3S WING BOX FRAME LH	S/N S1021-	1st rev.
15.	195-437S	3000 SEED BOX ASSEMBLY		
16.	802-034C	HHCS 1/2-13X1 1/4 GR5		
17.	195-102D	INTERIOR ENDPANEL COVER RH		
18.	196-146D	3-HOSE CLAMP BRACKET		
19.	804-009C	WASHER LOCK SPRING 5/16 PLT		
20.	802-010C	HHCS 5/16-18X1 1/4 GR5		

Wing Box To Wing Frame Fertilizer

(Applies to 3S-3000 HD, 3S-3000 HDF only)



16416

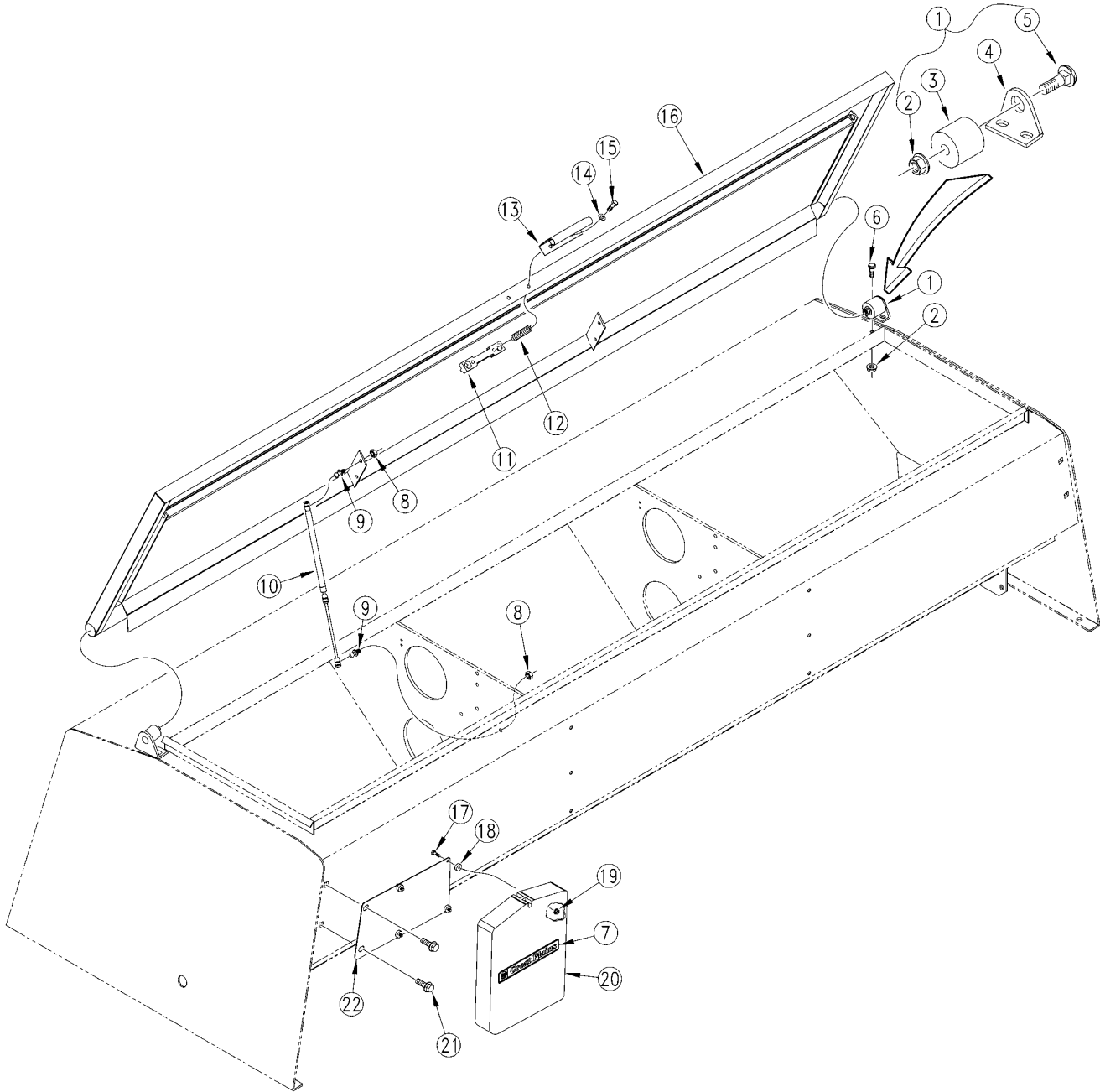
Wing Box To Wing Frame Fertilizer

(Applies to 3S-3000 HD, 3S-3000 HDF only)

Ref	Part No.	Part Description	Comments	Revision
	dwg16416	Image No.		
1.	803-169C	NUT HEX FLG. LOCK 1/2-13 PLT.		
2.	119-190D	HANDLE		
3.	802-203C	HFSS 1/2-13X1 1/2 GR5		
4.	803-199C	NUT HEX FLANGE 5/16-18 PLT		
5.	195-100D	3S BOX PARTITION		
6.	802-387C	HFS 5/16-18X3/4 GR5		
7.	802-079C	HHCS 3/8-16X1 1/4 GR5		
8.	804-011C	WASHER FLAT 3/8 USS PLT		
9.	195-101D	INTERIOR ENDPANEL COVER LH		
10.	803-014C	NUT HEX 3/8-16 PLT		
11.	804-013C	WASHER LOCK SPRING 3/8 PLT		
12.	803-020C	NUT HEX 1/2-13 PLT		
13.	804-015C	WASHER LOCK SPRING 1/2 PLT		
14.	194-145H	30'-3S WING BOX FRAME RH		
14.	194-147H	30'-3S WING BOX FRAME LH		
15.	195-437S	3000 SEED BOX ASSEMBLY		
16.	802-034C	HHCS 1/2-13X1 1/4 GR5		
17.	195-102D	INTERIOR ENDPANEL COVER RH		
18.	196-146D	3-HOSE CLAMP BRACKET		
19.	804-009C	WASHER LOCK SPRING 5/16 PLT		
20.	802-010C	HHCS 5/16-18X1 1/4 GR5		
21.	195-205D	DIVIDER ANGLE BRACKET		
22.	802-442C	HFSS 5/16-18X1 1/4		
23.	195-206D	DIVIDER CLIP INNER		
24.	195-207D	DIVIDER CLIP OUTER		
25.	803-177C	803-184 FLG TP LK 5/16-18ZNYCR		

Lid To Box

(Applies to 3S-3000 HD, 3S-3000 HDF only)



22523

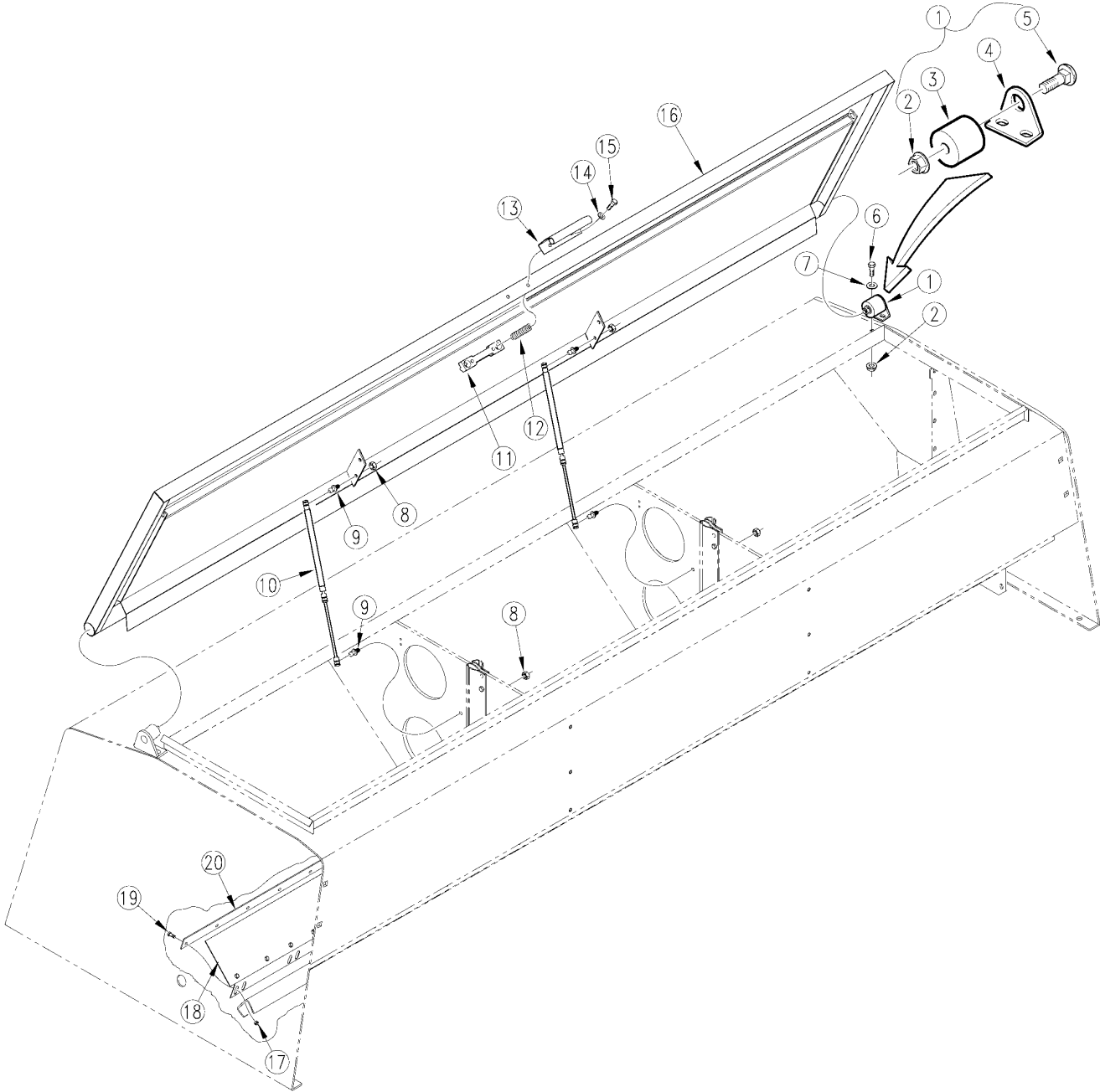
Lid To Box

(Applies to 3S-3000 HD, 3S-3000 HDF only)

Ref	Part No.	Part Description	Comments	Revision
	dwg22523	Image No.		
1.	175-180S	13' EW LID HINGE ASSEMBLY	Includes items 2 through 5	
2.	803-209C	NUT FLANGE LOCK 3/8-16 PLT		
3.	313-186D	LID HINGE PIVOT		
4.	313-176D	LID HINGE BASE PLATE		
5.	802-411C	RHSNB 3/8-16X2 GR5		
6.	802-015C	RHSNB 3/8-16X1 GR5		
7.	838-482C	DECAL GP PLANTING COMPONENTS		
8.	803-011C	NUT LOCK 5/16-18 PLT		
9.	800-121C	BALL STUD 10MM X 5/16-18 X 1/2		
10.	890-221C	12-20 X 90 LB GAS SPRING	Includes two of item 9	
11.	119-153D	LATCH CASTING MACHINED		
12.	807-106C	SPRING .540 O.D.X 1 1/4 X.054W		
13.	119-154D	LID HANDLE		
14.	804-036C	WASHER FLAT 5/16 SAE PLT		
15.	802-425C	HHCS 5/16-18X1 1/4 NYL		
16.	195-125H	LID 104 SEED		
17.	802-004C	HHCS 1/4-20X3/4 GR5		
18.	817-042C	MINI END WHEEL PRESS WHEEL		
19.	803-293C	NUT HEX FLNG T-LOCK 1/4-20 YLW		
20.	817-516C	MANUAL PAK 1" W/ GASKET		
21.	802-203C	HFSS 1/2-13X1 1/2 GR5		
22.	248-251D	MANUAL PAK MOUNTING PLATE		

Lid To Box Fertilizer

(Applies to 3S-3000 HD, 3S-3000 HDF only)



16418

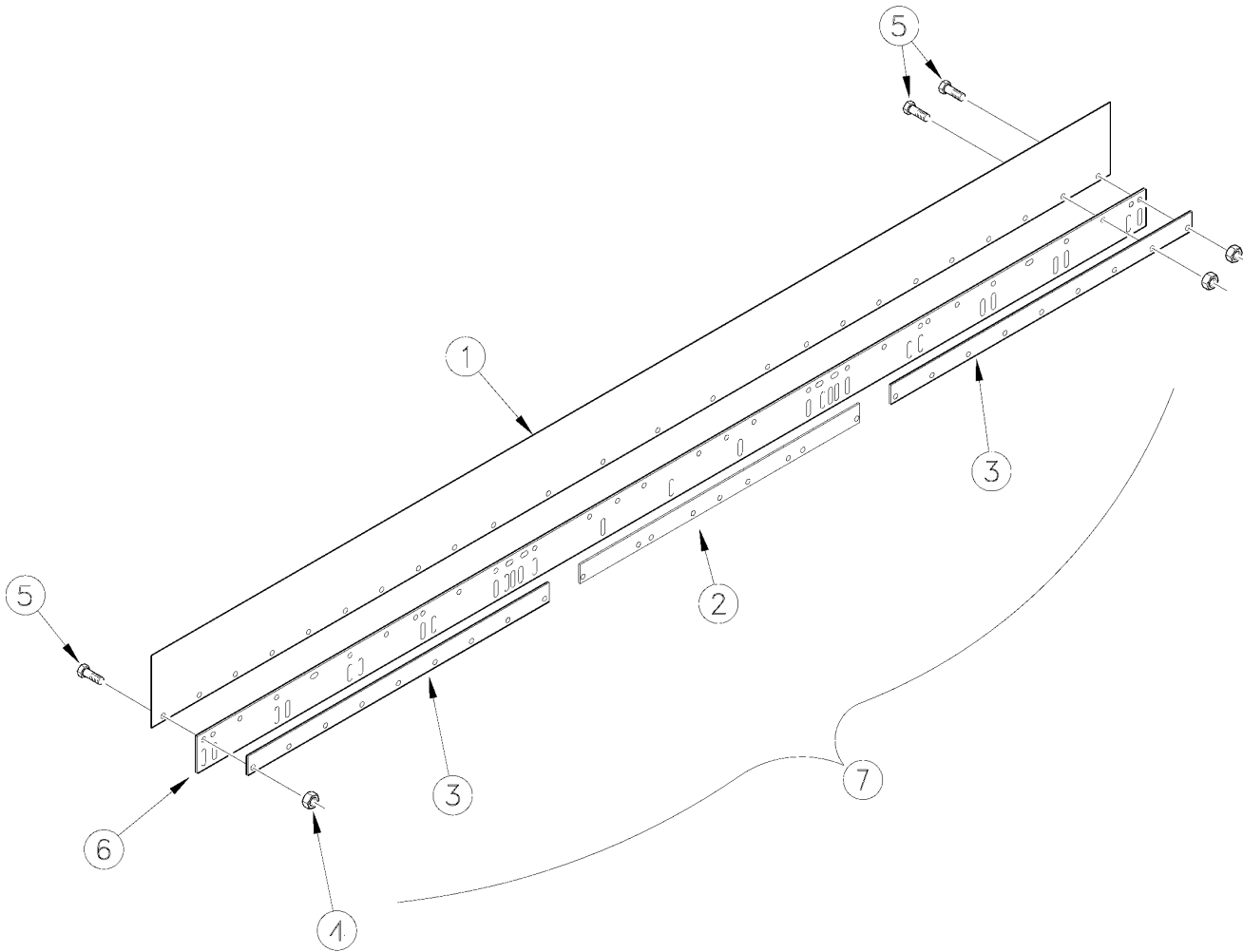
Lid To Box Fertilizer

(Applies to 3S-3000 HD, 3S-3000 HDF only)

Ref	Part No.	Part Description	Comments	Revision
	dwg16418	Image No.		
1.	313-076S	LID HINGE ASSEMBLY PS25120	Includes items 2-5	
2.	803-209C	NUT FLANGE LOCK 3/8-16 PLT		
3.	313-186D	LID HINGE PIVOT		
4.	313-176D	LID HINGE BASE PLATE		
5.	802-411C	RHSNB 3/8-16X2 GR5		
6.	802-017C	HHCS 3/8-16X1 GR5		
7.	804-011C	WASHER FLAT 3/8 USS PLT		
8.	803-011C	NUT LOCK 5/16-18 PLT		
9.	800-121C	BALL STUD 10MM X 5/16-18 X 1/2		
10.	890-308C	9 1/4-15 X 70LB GAS SPRING	Includes two of item 9	
11.	119-153D	LATCH CASTING MACHINED		
12.	807-106C	SPRING .540 O.D.X 1 1/4 X.054W		
13.	119-154D	LID HANDLE		
14.	804-036C	WASHER FLAT 5/16 SAE PLT		
15.	802-425C	HHCS 5/16-18X1 1/4 NYL		
16.	195-125H	LID 104 SEED		
17.	803-088C	NUT HEX LOCK 1/4-20 FLG		
18.	195-177S	SEED/FERT FLAP SUBASSY	Refer to "Seed / Fertilizer Flap (195-177S)" for breakdown.	
19.	802-375C	HFSS 1/4-20X1 GR5		
20.	195-198D	HINGE CLAMP STRIP ENDS	End strip	
20.	195-197D	HINGE CLAMP STRIP CTR	Center strip	

Seed/Fertilizer Flap (195-177S)

(Applies to 3S-3000 HD, 3S-3000 HDF only)



16462

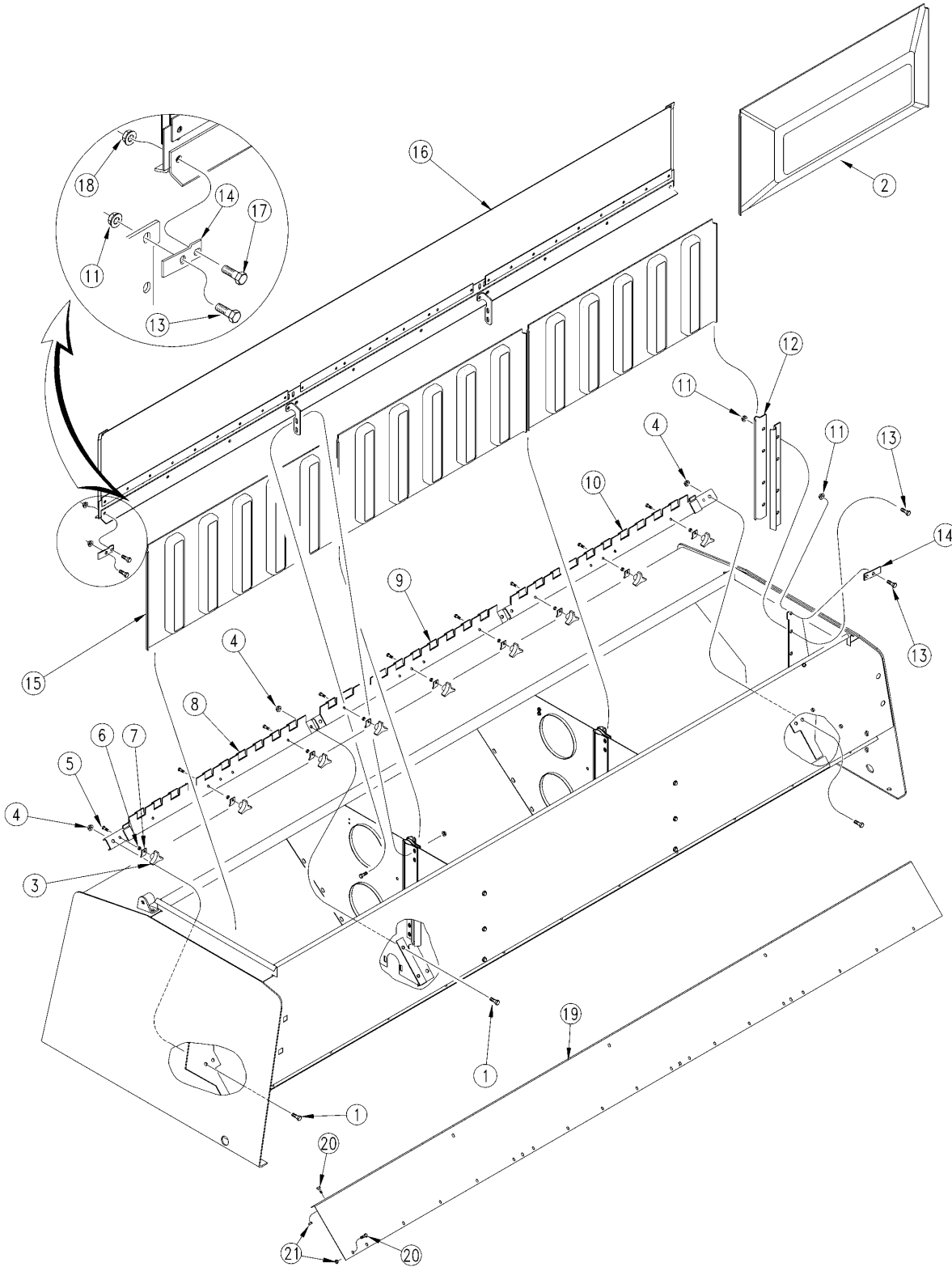
Seed/Fertilizer Flap (195-177S)

(Applies to 3S-3000 HD, 3S-3000 HDF only)

Ref	Part No.	Part Description	Comments	Revision
	dwg16462	Image No.		
1.	195-196D	SEED/FERTILIZER SELECT FLAP		
2.	195-197D	HINGE CLAMP STRIP CTR		
3.	195-198D	HINGE CLAMP STRIP ENDS		
4.	803-007C	NUT-LOCK 1/4-20 PLT		
5.	802-078C	HHCS 1/4-20X5/8 GR5		
6.	816-277C	RUBBER BELTING HINGE		
7.	195-177S	SEED/FERT FLAP SUBASSY	Includes items 1-6	

Box Divider Fertilizer

(Applies to 3S-3000 HD, 3S-3000 HDF only)



34110

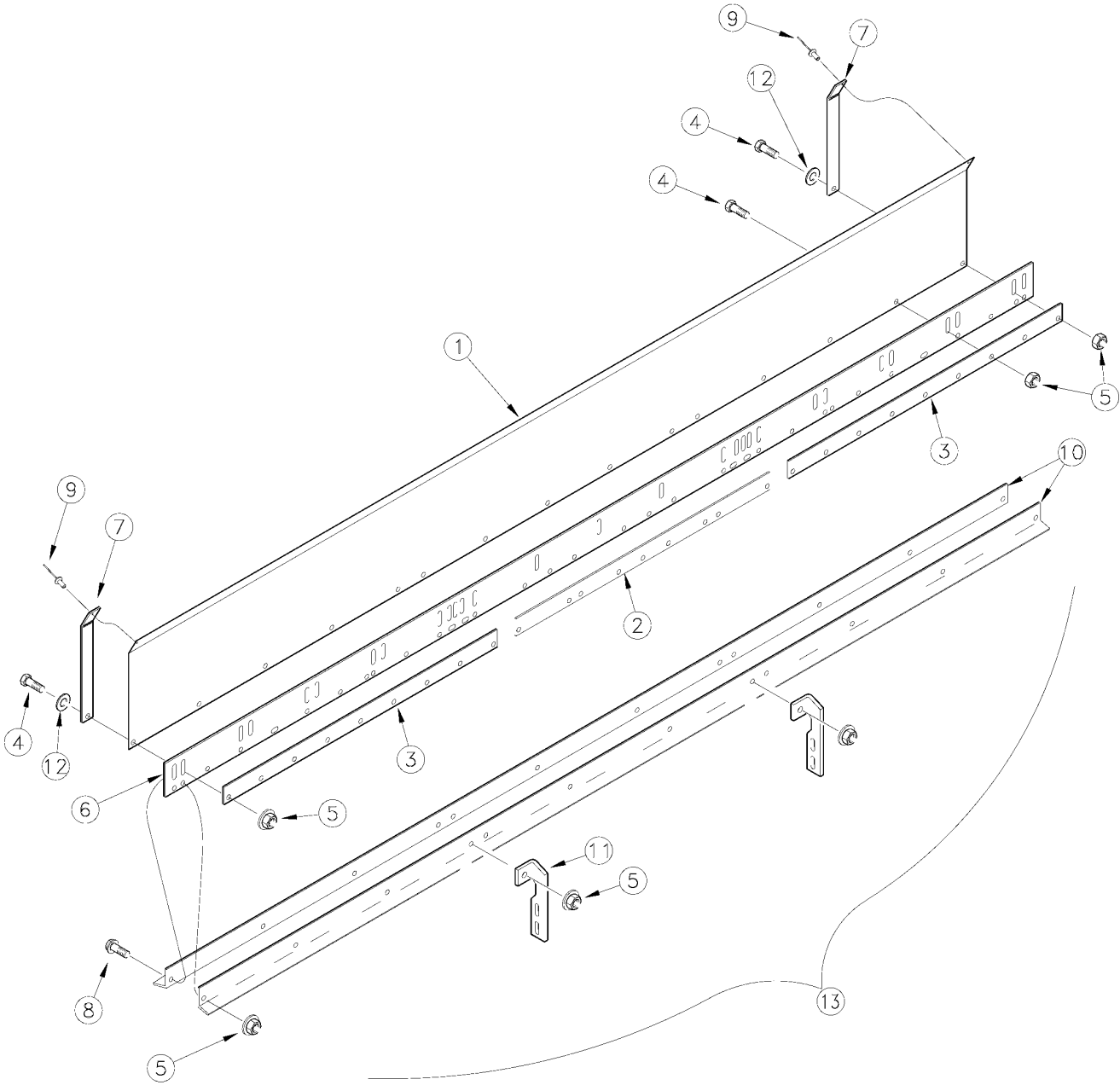
Box Divider Fertilizer

(Applies to 3S-3000 HD, 3S-3000 HDF only)

Ref	Part No.	Part Description	Comments	Revision
	dwg34110	Image No.		
1.	802-017C	HHCS 3/8-16X1 GR5		
2.	817-322C	DIVIDER INSERT 33 X 4.5 OFFSET		
3.	817-324C	KNOB 1/4-20 FEMALE THD		
4.	803-209C	NUT FLANGE LOCK 3/8-16 PLT		
5.	802-005C	HHCS 1/4-20X1 GR5		
6.	803-007C	NUT LOCK 1/4-20 PLT		
7.	195-208D	RETAINER CLIP		
8.	195-182H	DIVIDER BOTTOM BRACKET LH		
9.	195-181H	DIVIDER BOTTOM BRACKET CTR		
10.	195-183H	DIVIDER BOTTOM BRACKET RH		
11.	803-199C	NUT HEX FLANGE 5/16-18 PLT		
12.	195-194D	DIVIDER CLIP, END MOUNTED		
13.	802-387C	HFS 5/16-18X3/4 GR5		
14.	195-193D	TOP BAR END BRACE		
15.	817-321C	DIVIDER INSERT 33 X NO OFFSET		
16.	195-176S	SPILL FLAP SUBASSY		
17.	802-375C	HFSS 1/4-20X1 GR5		
18.	803-088C	NUT HEX LOCK 1/4-20 FLG		
19.	195-336D	3000 FERTILIZER CAP PLATE		
20.	802-196C	HFSS 1/4-20X5/8 GR5		
21.	803-088C	NUT HEX LOCK 1/4-20 FLG		

Spill Flap Fertilizer (195-176S)

(Applies to 3S-3000 HD, 3S-3000 HDF only)



16461

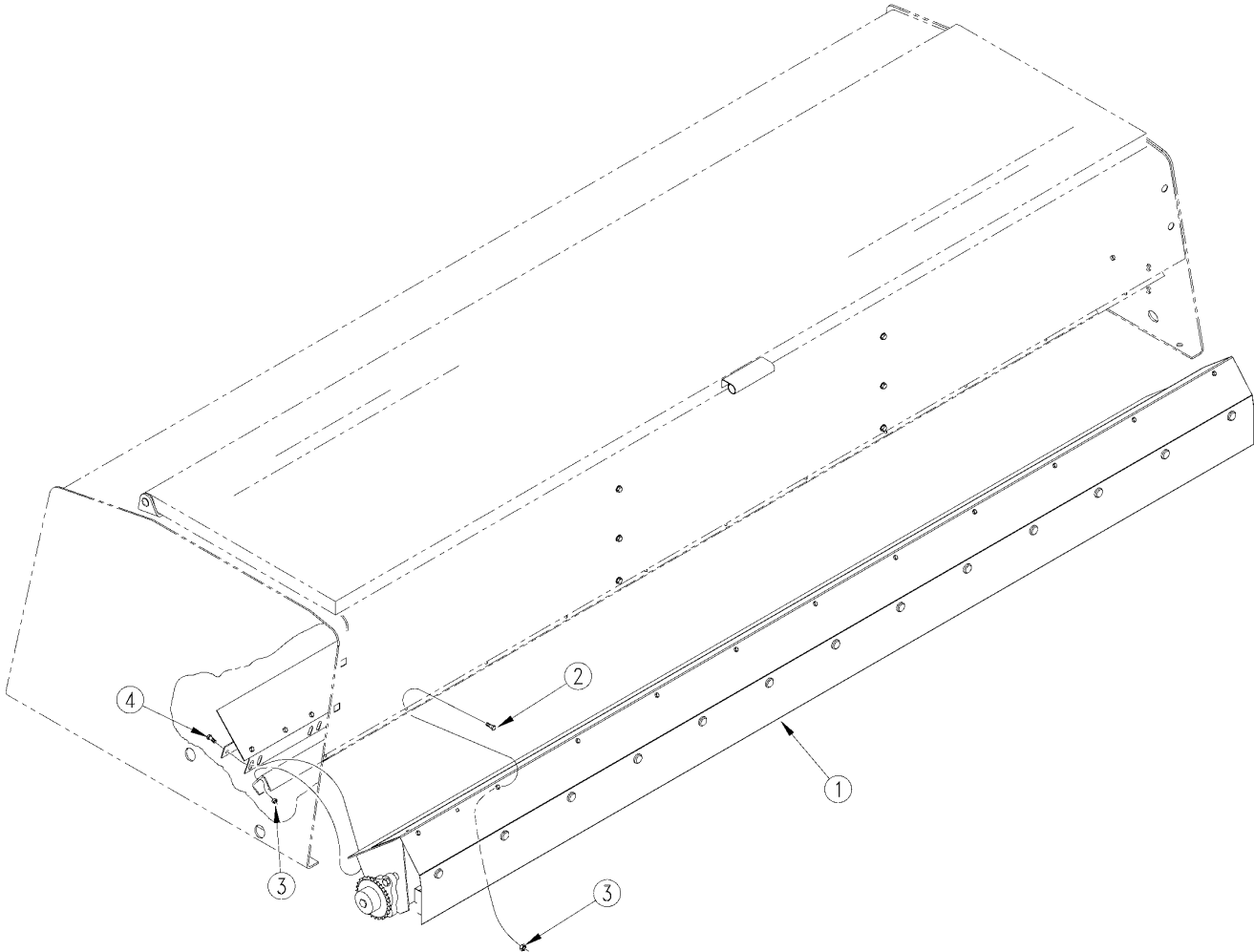
Spill Flap Fertilizer (195-176S)

(Applies to 3S-3000 HD, 3S-3000 HDF only)

Ref	Part No.	Part Description	Comments	Revision
	dwg16461	Image No.		
1.	195-195D	SPILL FLAP		
2.	195-197D	HINGE CLAMP STRIP CTR		
3.	195-198D	HINGE CLAMP STRIP ENDS		
4.	802-078C	HHCS 1/4-20X5/8 GR5		
5.	803-088C	NUT HEX LOCK 1/4-20 FLG		
6.	816-277C	RUBBER BELTING HINGE		
7.	816-278C	RUBBER BELTING SEAL STRIP		
8.	802-375C	HFSS 1/4-20X1 GR5		
9.	800-012C	RIVET SS 1/8 DIA		
10.	195-191D	DIVIDER CLAMP ANGLE		
11.	195-192D	TOP BAR PARTITION BRACE		
12.	804-007C	WASHER FLAT 1/4 SAE PLT		
13.	195-176S	SPILL FLAP SUBASSY	Includes items 1-12	

Fertilizer Tray To Box

(Applies to 3S-3000 HD, 3S-3000 HDF only)



16463

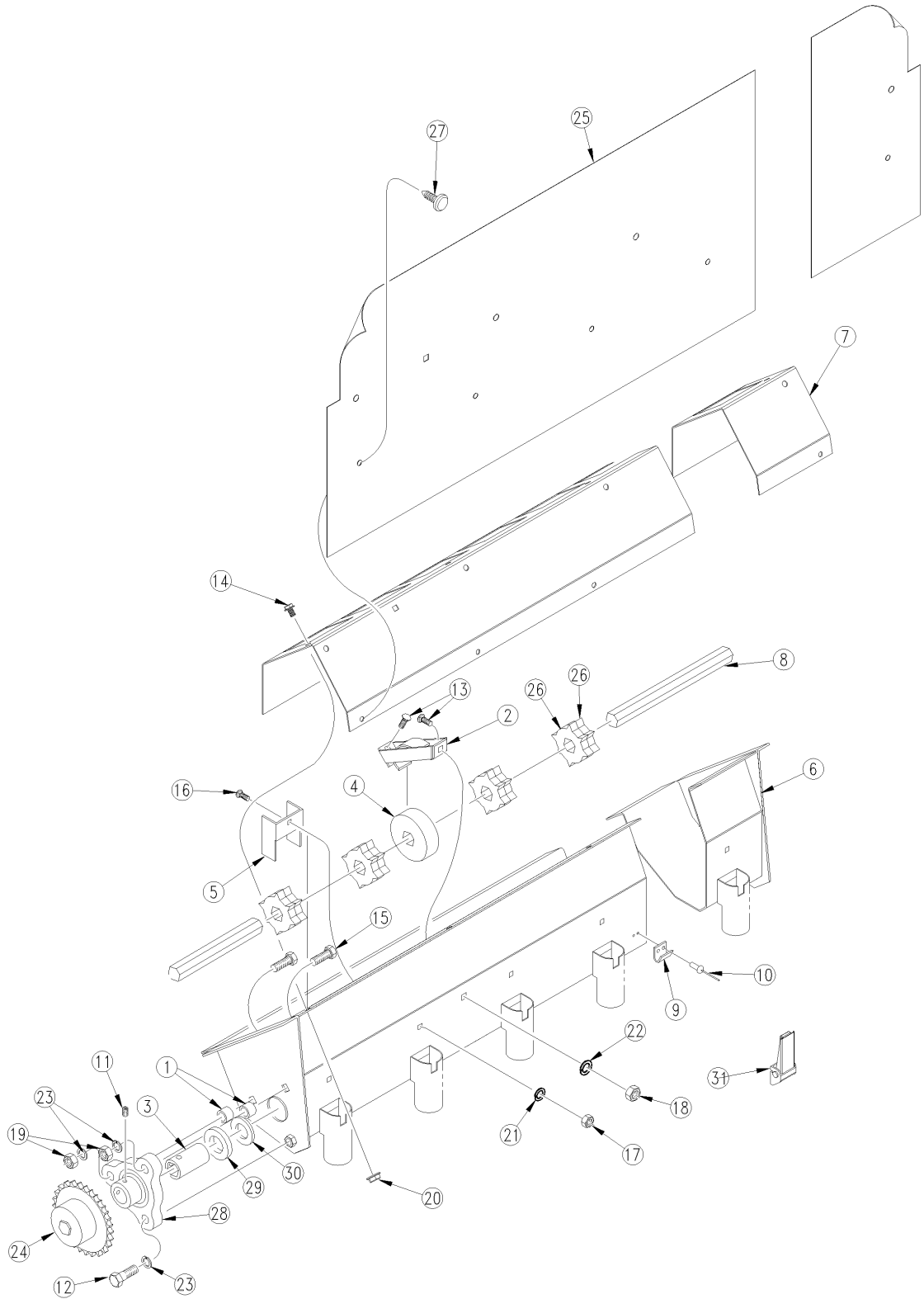
Fertilizer Tray To Box

(Applies to 3S-3000 HD, 3S-3000 HDF only)

Ref	Part No.	Part Description	Comments	Revision
	dwg16463	Image No.		
1.	195-178S	FERT TRAY ASSEMBLY 6	Refer to "Fertilizer Tray" for breakdown.	
1.	195-179S	FERT TRAY ASSEMBLY 7 1/2	Refer to "Fertilizer Tray" for breakdown.	
1.	195-180S	FERT TRAY ASSEMBLY 10	Refer to "Fertilizer Tray" for breakdown.	
2.	802-196C	HFSS 1/4-20X5/8 GR5		
3.	803-088C	NUT HEX LOCK 1/4-20 FLG		
4.	802-375C	HFSS 1/4-20X1 GR5		

Fertilizer Tray

(Applies to 3S-3000 HD, 3S-3000 HDF only)



16464

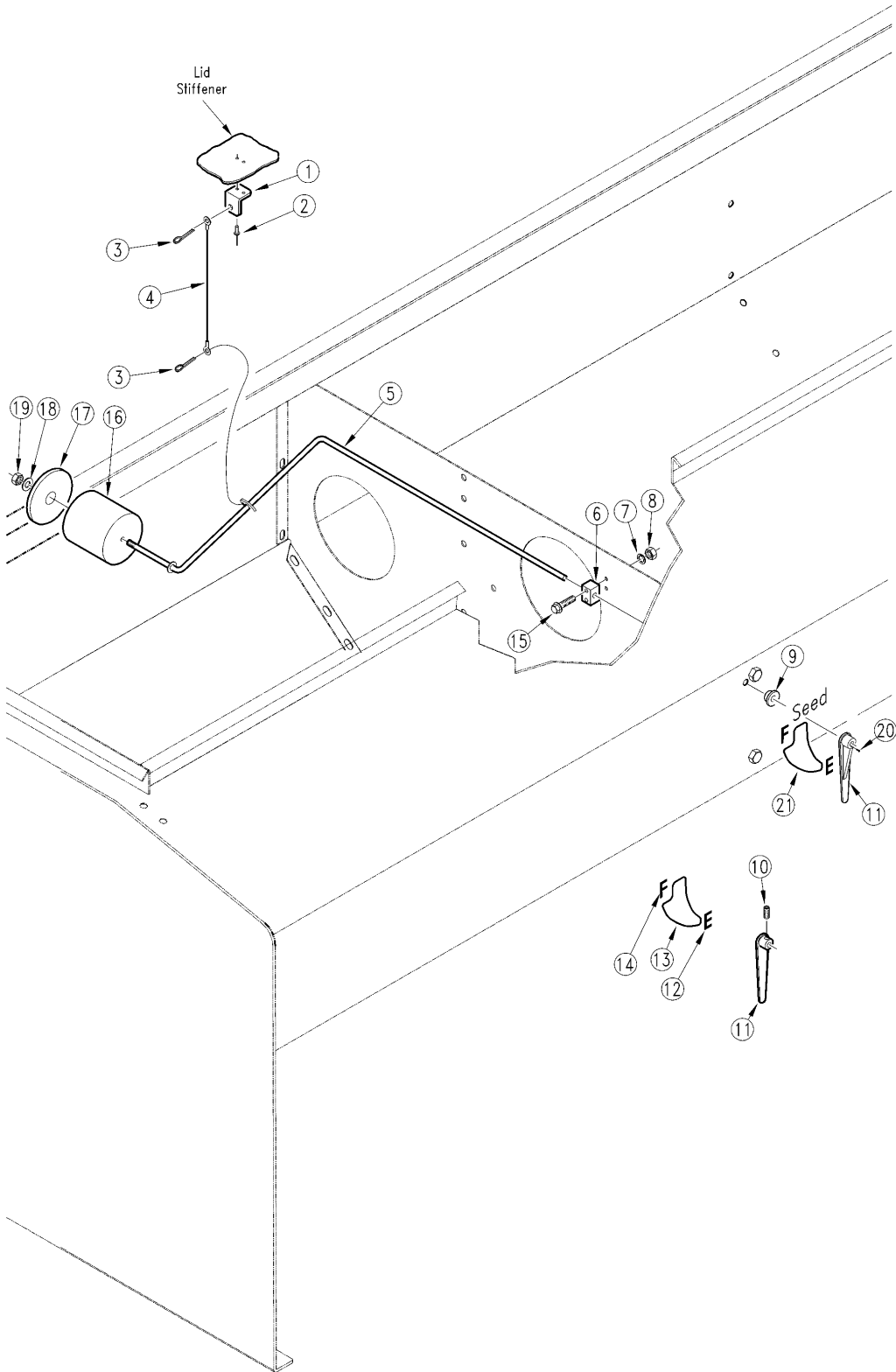
Fertilizer Tray

(Applies to 3S-3000 HD, 3S-3000 HDF only)

Ref	Part No.	Part Description	Comments	Revision
	dwg16464	Image No.		
1.	141-084D	TRAY BEARING SPACER		
2.	175-102H	13' EW FERT BEARING RETAINER		
3.	191-001D	MF FERT.75 HEX BORE BUSHING		
4.	191-002D	MF FERT HEX BORE PLASTIC BUSH		
5.	191-018D	MF FERT STAR RETAINER SIDE PLT		
6.	195-146H	FERT TRAY WELDMENT 7 1/2		
6.	195-147H	FERT TRAY WELDMENT 6		
6.	195-148H	FERT TRAY WELDMENT 10		
7.	195-199D	FERT TRAY ADAPTER PANEL		
8.	195-204D	SHAFT 3/4 HEX 109 PLT		
9.	800-032C	LATCH STRIKE		
10.	800-012C	RIVET SS 1/8 DIA		
11.	801-009C	SCREW SET 1/4-28 SH X 1/2 LG		
12.	802-079C	HHCS 3/8-16X1 1/4 GR5		
13.	802-092C	RHSNB 5/16-18X3/4 GR5		
14.	802-148C	HFSS 1/4-20X1/2 GR5		
15.	802-252C	RHSNB 3/8-16X1 3/4 GR5		
16.	802-633C	RHSNB 1/4-20X5/8 PLT		
17.	803-006C	NUT-HEX 1/4-20 PLT		
18.	803-008C	NUT HEX 5/16-18 PLT		
19.	803-014C	NUT HEX 3/8-16 PLT		
20.	803-088C	NUT HEX LOCK 1/4-20 FLG		
21.	804-006C	WASHER LOCK SPRING 1/4 PLT		
22.	804-009C	WASHER LOCK SPRING 5/16 PLT		
23.	804-013C	WASHER LOCK SPRING 3/8 PLT		
24.	808-086C	SPKT 40B30 X 3/4 HEXBORE W/ SS		
25.	816-279C	VINYL FERTILIZER DEW SHIELD		
26.	817-053C	6 POINT FERT METERING WHEEL		
27.	817-323C	NYLON RATCHET (TREE RIVET)		
28.	822-083C	BRG FLG 1.25ID 3BOLT		
29.	890-026C	FELT SEAL		
30.	804-048C	WASHER MACH 2 1/2X1 3/4X.075		
31.	800-030C	LATCH FERT TRAY DOOR		

Seed Level Indicator

(Applies to 3S-3000 HD, 3S-3000 HDF only)



15448

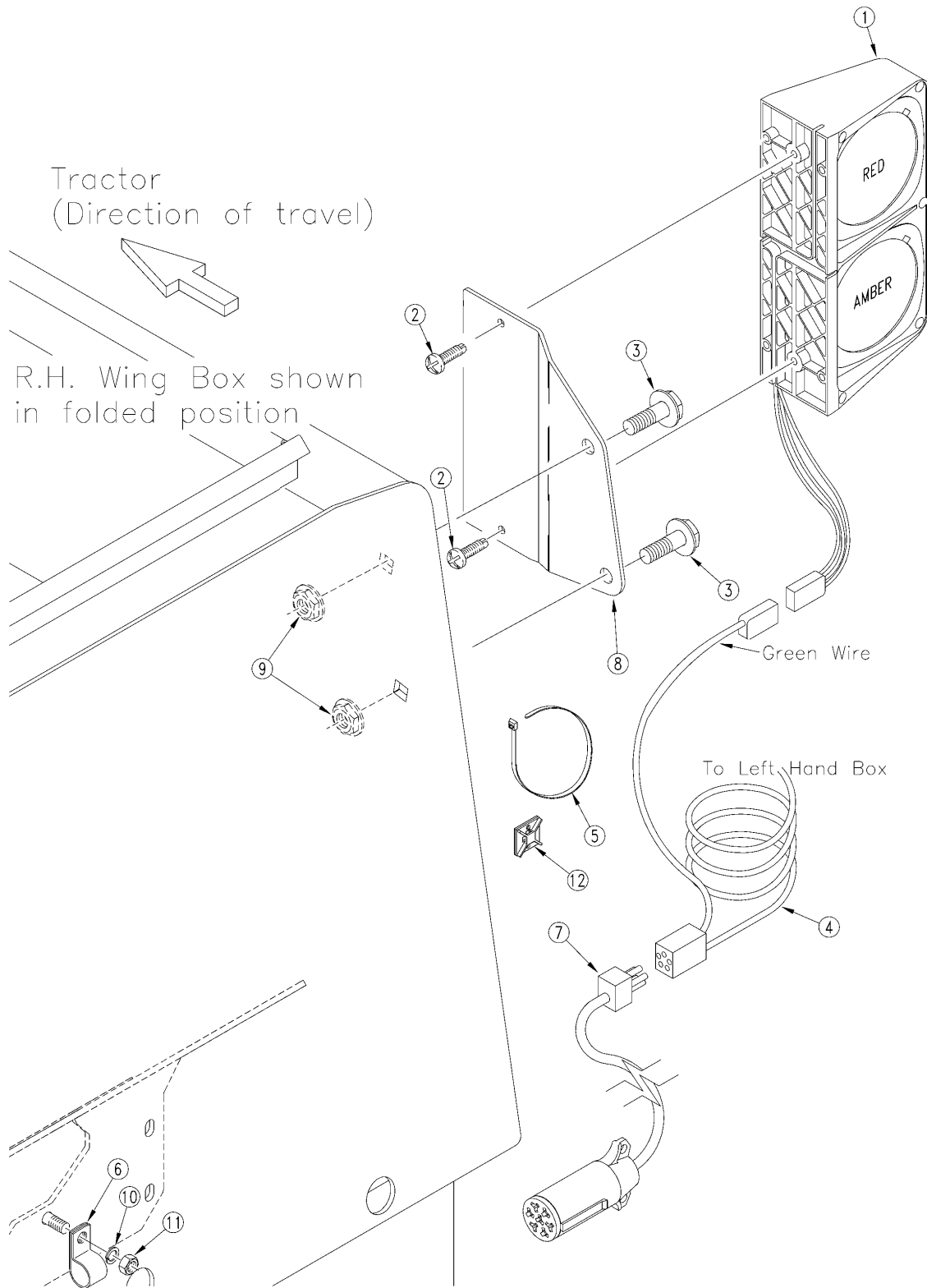
Seed Level Indicator

(Applies to 3S-3000 HD, 3S-3000 HDF only)

Ref	Part No.	Part Description	Comments	Revision
	dwg15448	Image No.		
1.	197-091D	SEED LEVEL CHAIN BRACKET		
2.	800-101C	RIVET POP 1/8X.265LG FLG		
3.	805-067C	PIN COTTER 1/8 X 3/4		
4.	890-305C	CABLE 3/64 X 11 5/8 W/ EYELETS		
5.	195-124H	3S SEED LEVEL ROD		
6.	817-202C	SEED LEVEL ARM MOUNT		
7.	804-054C	WASHER LOCK #10		
8.	803-001C	NUT HEX 10-24 PLT		
9.	817-086C	SEED LEVEL BUSHING		
10.	801-045C	SCREW SET 1/4-28X1/4 KNL CUP		
11.	817-350C	SEED LEVEL INDICATOR	Use with item 20.	2nd rev.
11.	197-023H	INDICATOR OB RPLCD BY 817-350C	Use with item 10.	Use existing stock; 1st rev.
12.	818-295C	DECAL LETTER E	No longer available. Order part no. 838-237C.	
13.	818-392C	DECAL SEED LEVEL, NOTCHED	No longer available. Order part no. 838-237C.	
14.	818-296C	DECAL LETTER F	No longer available. Order part no. 838-237C..	
15.	801-096C	HFS 10-24 X 1 1/8 PLTD		
16.	197-089D	FOAM FLOAT		
17.	197-096D	FOAM FLOAT WASHER		
18.	804-075C	WASHER FLAT 1/4 USS PLT		
19.	803-003C	.00 HEX SS 1/4-20 NYLOCK		
20.	801-154C	SCR HEX HD SHT MET #8 X 1/2		
21.	838-237C	DECAL SEED LEVEL LH		

Lights (S/N S2966-)

(Applies to 3S-3000 HD, 3S-3000 HDF only)



15449

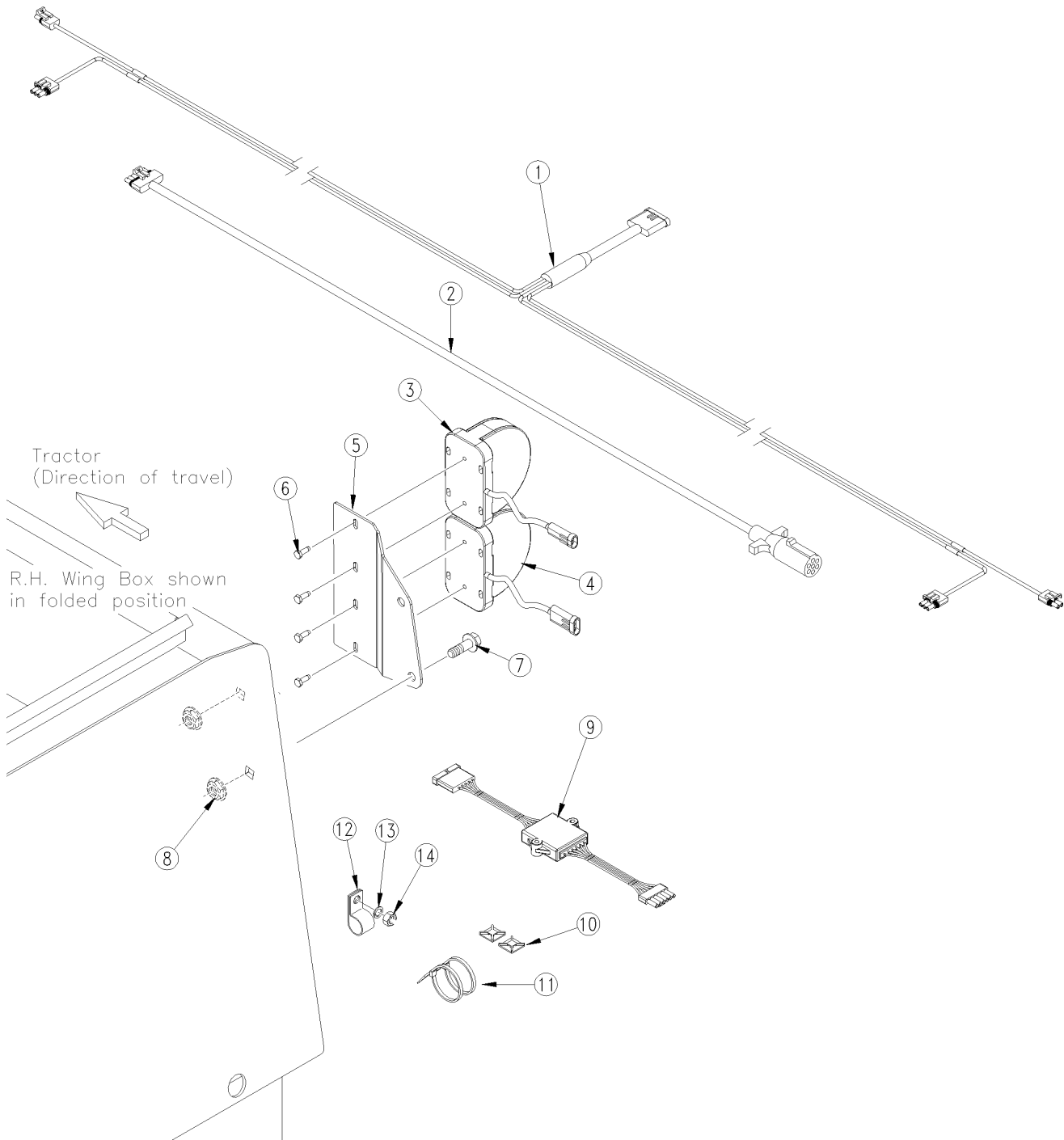
Lights (S/N S2966-)

(Applies to 3S-3000 HD, 3S-3000 HDF only)

Ref	Part No.	Part Description	Comments	Revision
	dwg15449	Image No.		
1.	890-312C	DUAL AG LIGHTS RH		
1.	890-311C	DUAL AG LIGHTS LH	Shown	
2.	801-151C	SCR HEX SELF TAP 1/4-20X1TYPEF		
3.	802-203C	HFSS 1/2-13X1 1/2 GR5		
4.	890-430C	LIGHT HARNESS, 20' WISHBONE		
5.	800-112C	CABLE TIE .19X7.25 1.75D 50LB		
6.	800-064C	HOSE CLIP 13/16 ID		
7.	890-313C	AG LIGHT WIRING HARNESS-28'		
8.	195-112D	PLATE, AG LIGHT RH	Shown	
8.	195-165D	PLATE, AG LIGHT LH		
9.	803-169C	NUT HEX FLG. LOCK 1/2-13 PLT.		
10.	804-013C	WASHER LOCK SPRING 3/8 PLT		
11.	803-014C	NUT HEX 3/8-16 PLT		
12.	800-148C	CABLE TIE MOUNT		

Lights LED (S/N S2067+)

(Applies to 3S-3000 HD, 3S-3000 HDF only)



36171

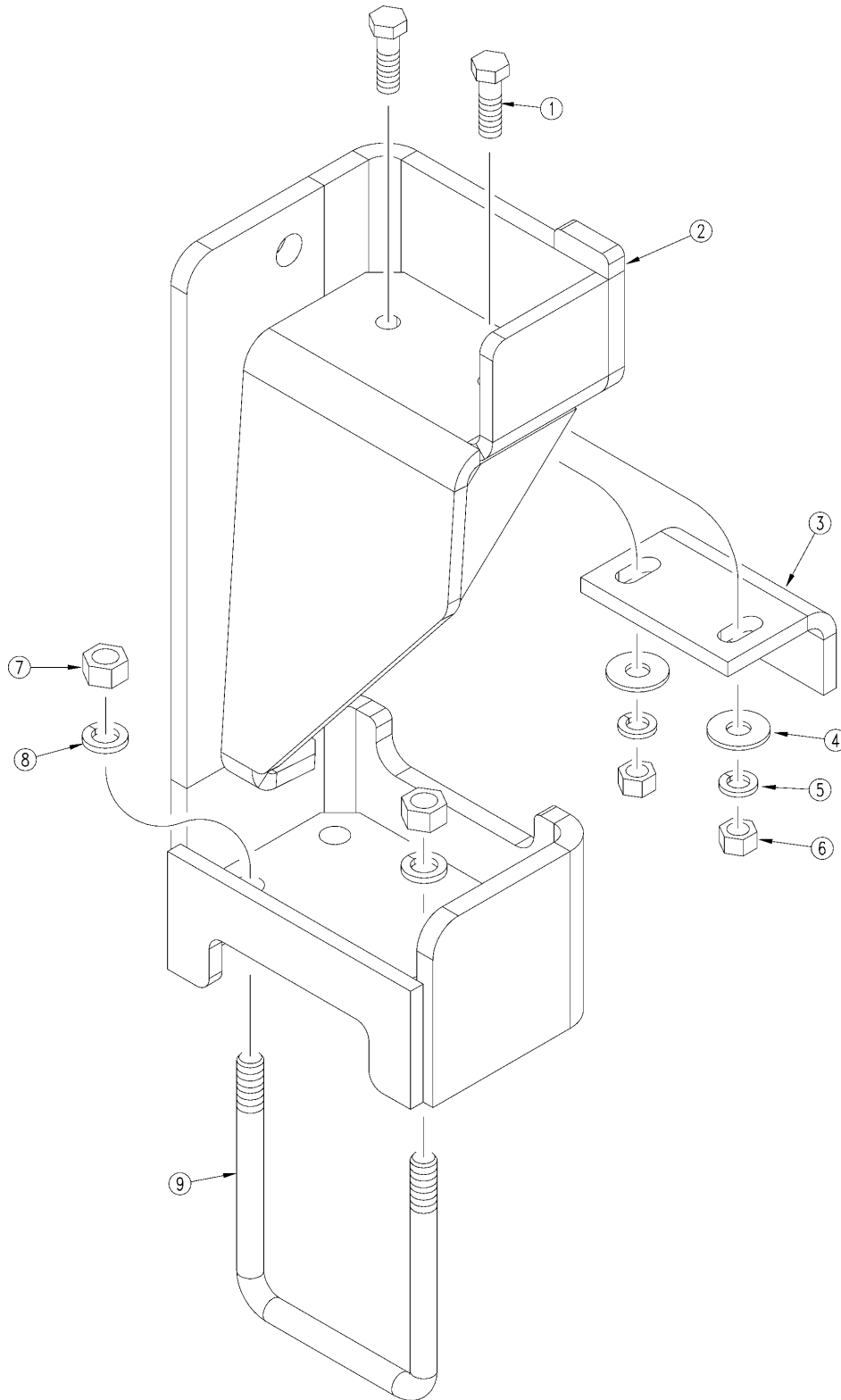
Lights LED (S/N S2067+)

(Applies to 3S-3000 HD, 3S-3000 HDF only)

Ref	Part No.	Part Description	Comments	Revision
	dwg36171	Image No.		
1.	833-685C	LIGHT HARNESS 20' WISHBONE LED		
2.	833-679C	AG LGHT WIRING HARNESS-28' LED		
3.	833-697C	LIGHT, AMBER LAMP LED		
4.	833-696C	LIGHT, RED LAMP - LED		
5.	195-165D	PLATE, AG LIGHT LH	Shown	
5.	195-112D	PLATE, AG LIGHT RH		
6.	801-081C	SCREW HEX SELF TAP 1/4-20X3/4		
7.	802-205C	HHCS 1-8X5 1/2 GR5		
8.	803-169C	NUT HEX FLG LOCK 1/2-13 PLT		
9.	833-694C	LIGHT HRNSS ENHANCE MODULE LED		
10.	800-148C	CABLE TIE MOUNT		
11.	800-112C	CABLE TIE .19X7.25 1.75D 50LB		
12.	800-064C	HOSE CLIP 13/16 ID		
13.	804-013C	WASHER LOCK SPRING 3/8 PLT		
14.	803-014C	NUT HEX 3/8-16 PLT		

Weight Bracket (S/N S1869-)

(Applies to 3S-3000 HD, 3S-3000 HDF only)



24414

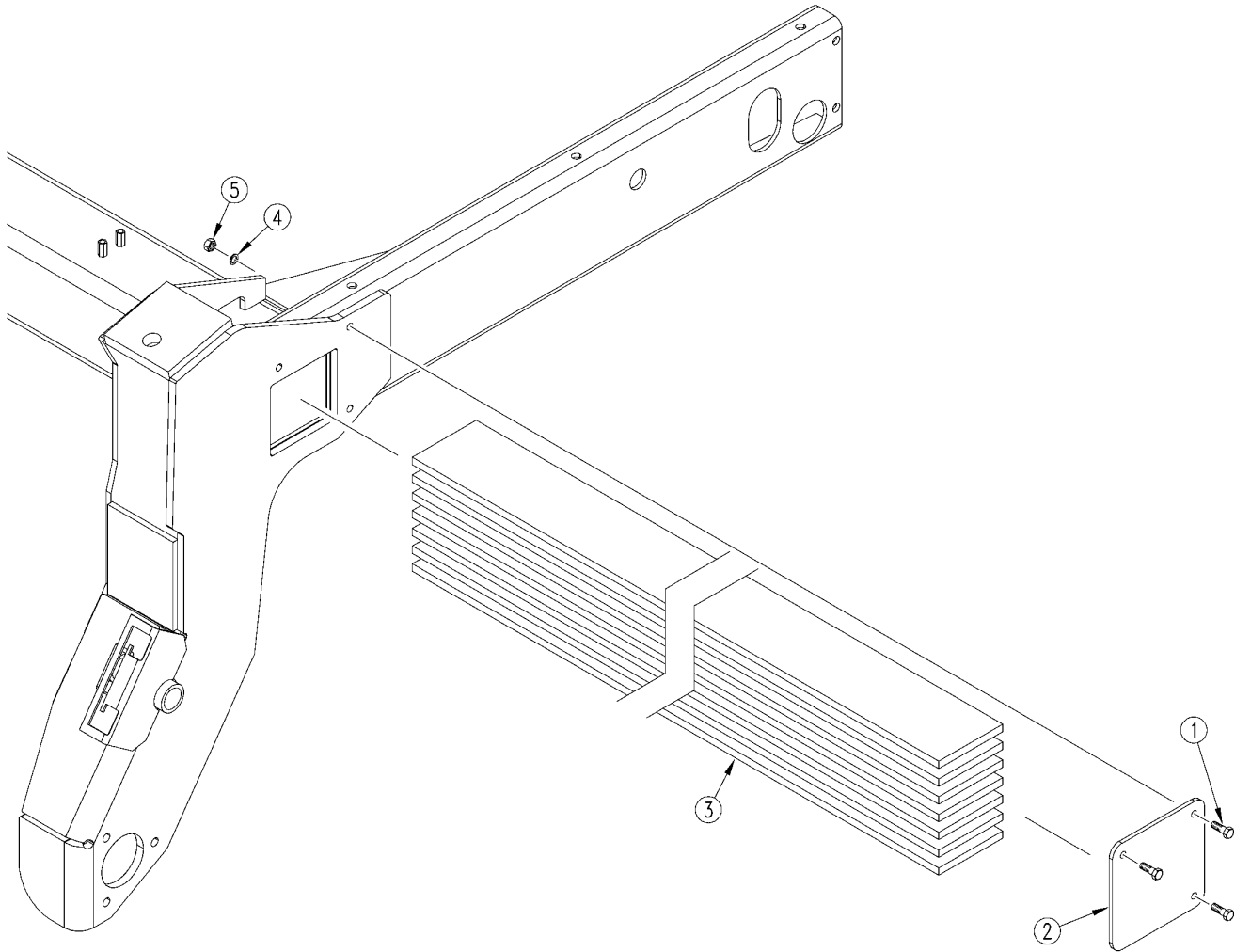
Weight Bracket (S/N S1869-)

(Applies to 3S-3000 HD, 3S-3000 HDF only)

Ref	Part No.	Part Description	Comments	Revision
	dwg24414	Image No.		
1.	802-055C	HHCS 5/8-11X2 GR5		
2.	171-101H	WEIGHT BRACKET WELDMENT-LH		
2.	171-102H	WEIGHT BRACKET WELDMENT-RH		
3.	171-043D	WEIGHT BRACKET ADJ LEG		
4.	804-019C	WASHER FLAT 5/8 USS PLT		
5.	804-022C	WASHER LOCK SPRING 5/8 PLT		
6.	803-021C	NUT HEX 5/8-11 PLT		
7.	803-027C	NUT HEX 3/4-10 PLT		
8.	804-023C	WASHER LOCK SPRING 3/4 PLT		
9.	806-093C	U-BOLT 3/4-10 6 1/32 X 7 3/4		

Weight Bracket (S/N S1870+)

(Applies to 3S-3000 HD, 3S-3000 HDF only)



25317

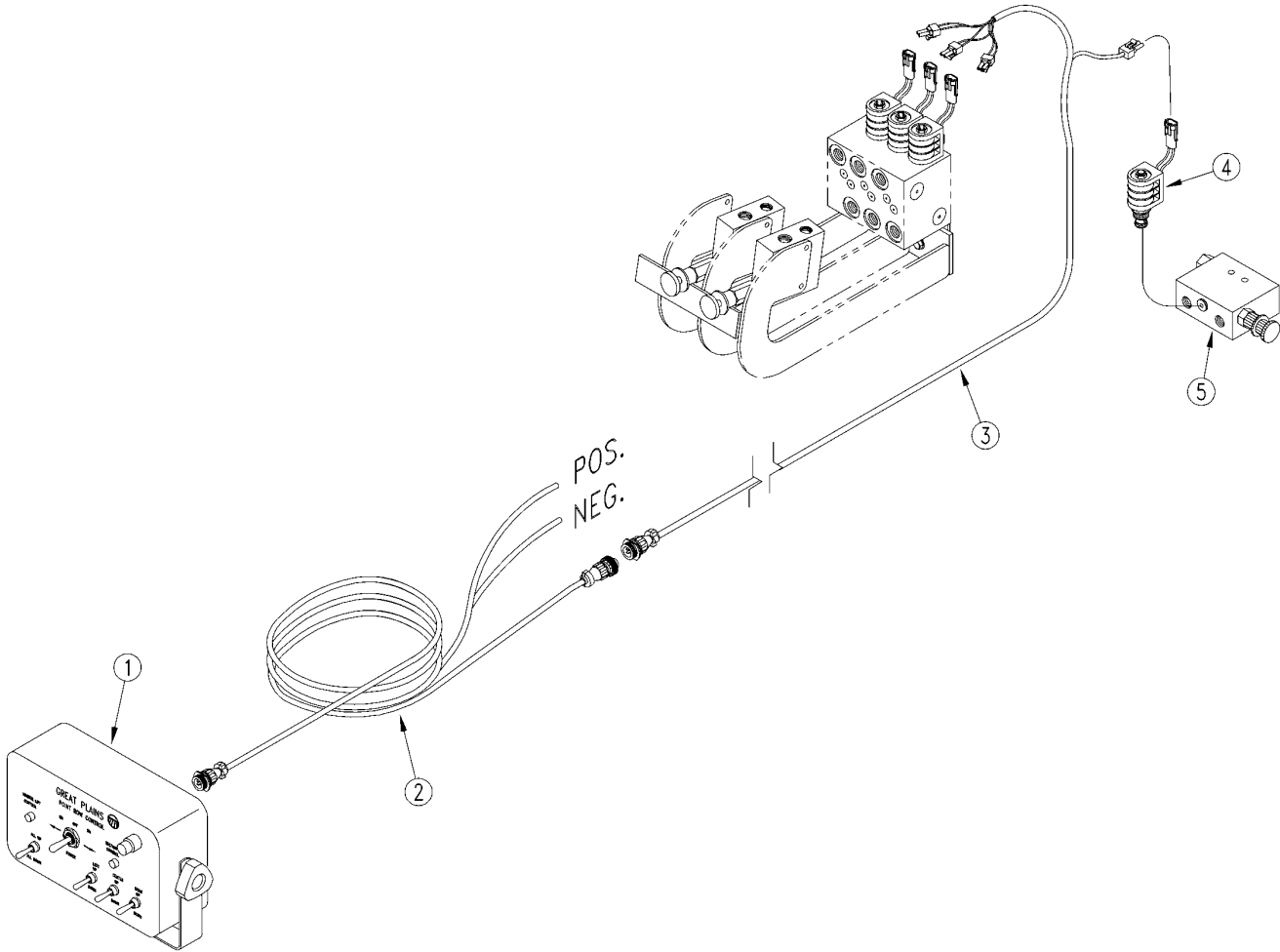
Weight Bracket (S/N S1870+)

(Applies to 3S-3000 HD, 3S-3000 HDF only)

Ref	Part No.	Part Description	Comments	Revision
	dwg25317	Image No.		
1.	802-022C	HHCS 3/8-16X1 1/2 GR5		
2.	194-058D	END CAP - TUBE		
3.	589-046D	WING WEIGHT 3000TT/4000TT		
4.	804-013C	WASHER LOCK SPRING 3/8 PLT		
5.	803-014C	NUT HEX 3/8-16 PLT		

Point Row Control Box With Cables

(Applies to 3S-3000 HD, 3S-3000 HDF only)



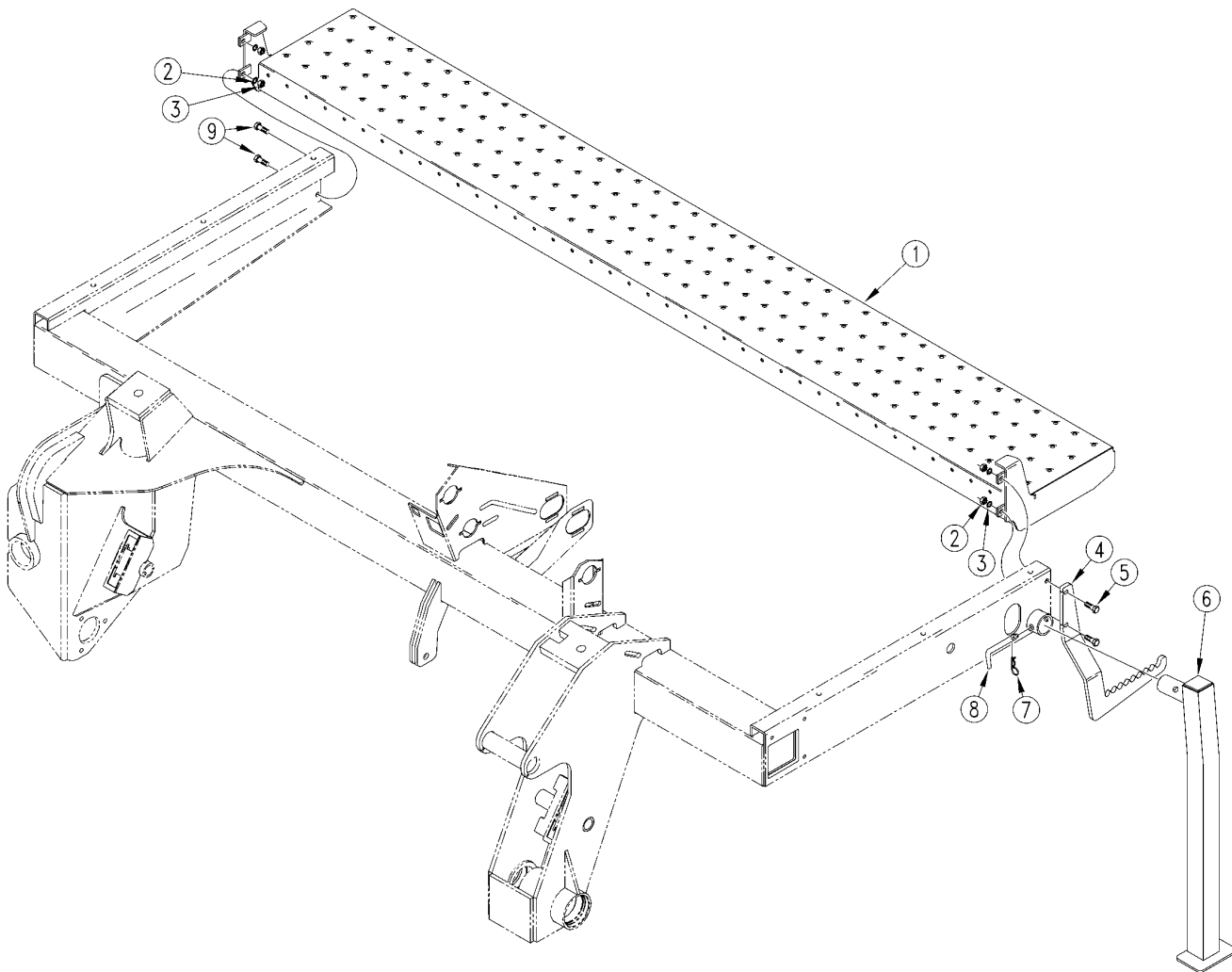
Point Row Control Box With Cables

(Applies to 3S-3000 HD, 3S-3000 HDF only)

Ref	Part No.	Part Description	Comments	Revision
	dwg22972	Image No.		
1.	823-185C	POINT ROW CONTROL BOX		
2.	823-190C	POINT ROW CABLE W/ POWER LEAD		
2.	823-190C	POINT ROW CABLE W/ POWER LEAD		
3.	823-175C	3 SECT POINT ROW WIRE HARNESS		
4.	810-408C	BYPASS CARTRIDGE AND SOLENOID		
5.	810-432C	HYDRAULIC BYPASS VALVE		

Walkboard, Step And Parking Stand To Box Frame (S/N S2030-)

(Applies to 3S-3000 HD, 3S-3000 HDF only)



15450

Walkboard, Step And Parking Stand To Box Frame (S/N S2030-)

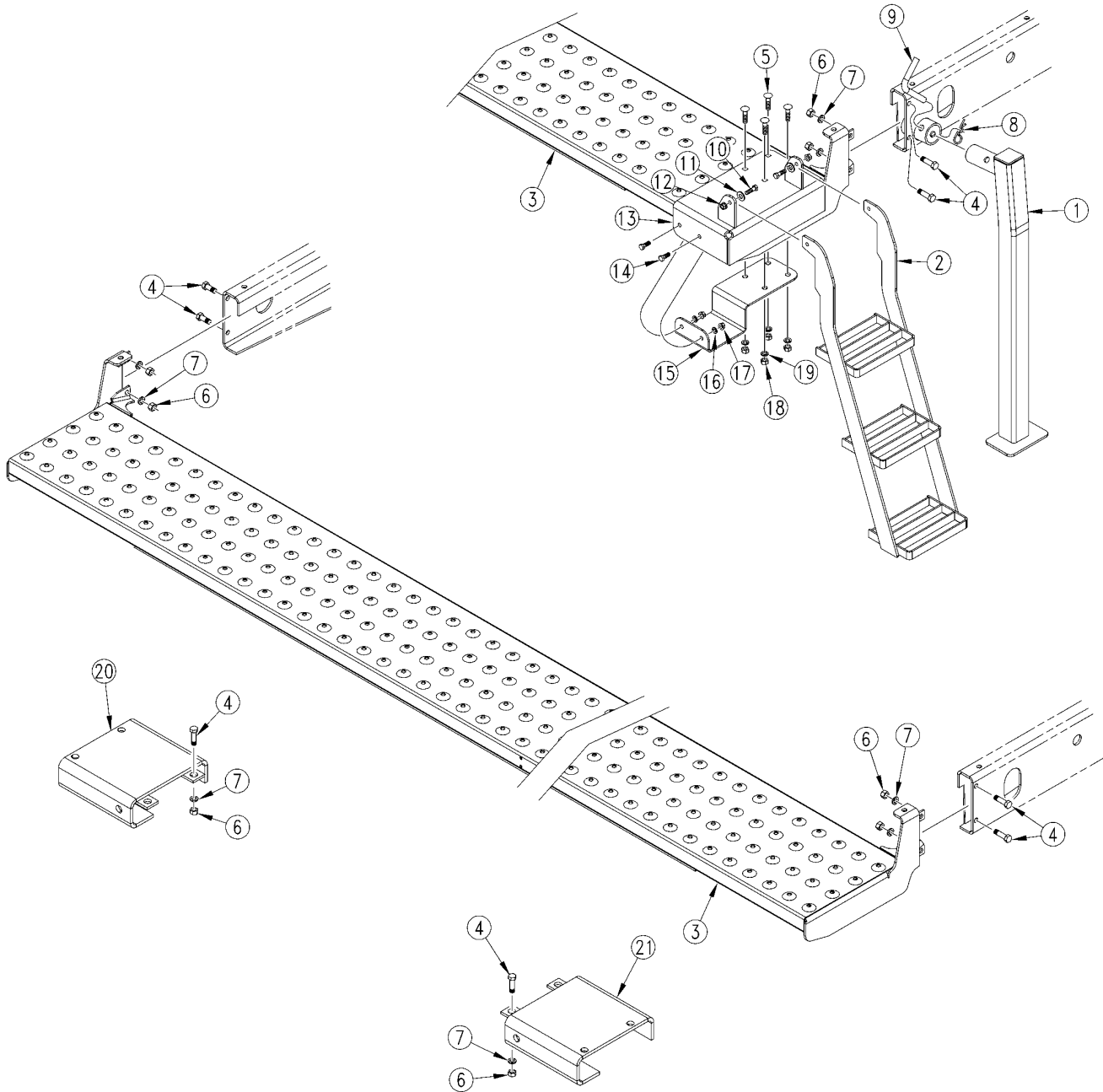
(Applies to 3S-3000 HD, 3S-3000 HDF only)

Ref	Part No.	Part Description	Comments	Revision
	dwg15450	Image No.		
1.	195-114H	30'-3S WALKBOARD		
2.	803-020C	NUT HEX 1/2-13 PLT		
3.	804-015C	WASHER LOCK SPRING 1/2 PLT		
4.	195-121D	STEP LH	Shown	
4.	195-122D	STEP RH		
5.	802-082C	HHCS 1/2-13X1 3/4 GR5		
6.	194-135H	PARKING STAND LEG		
7.	805-032C	PIN HAIR COTTER .148 WIRE		
8.	805-197C	PIN BENT SHANK LOCK 5/8 OD		
9.	802-034C	HHCS 1/2-13X1 1/4 GR5		

[Table of Contents](#) [Part Number Index](#)

Walkboard, Step And Parking Stand To Box Frame (S/N S2031+)

(Applies to 3S-3000 HD, 3S-3000 HDF only)



31230

Walkboard, Step And Parking Stand To Box Frame (S/N S2031+)

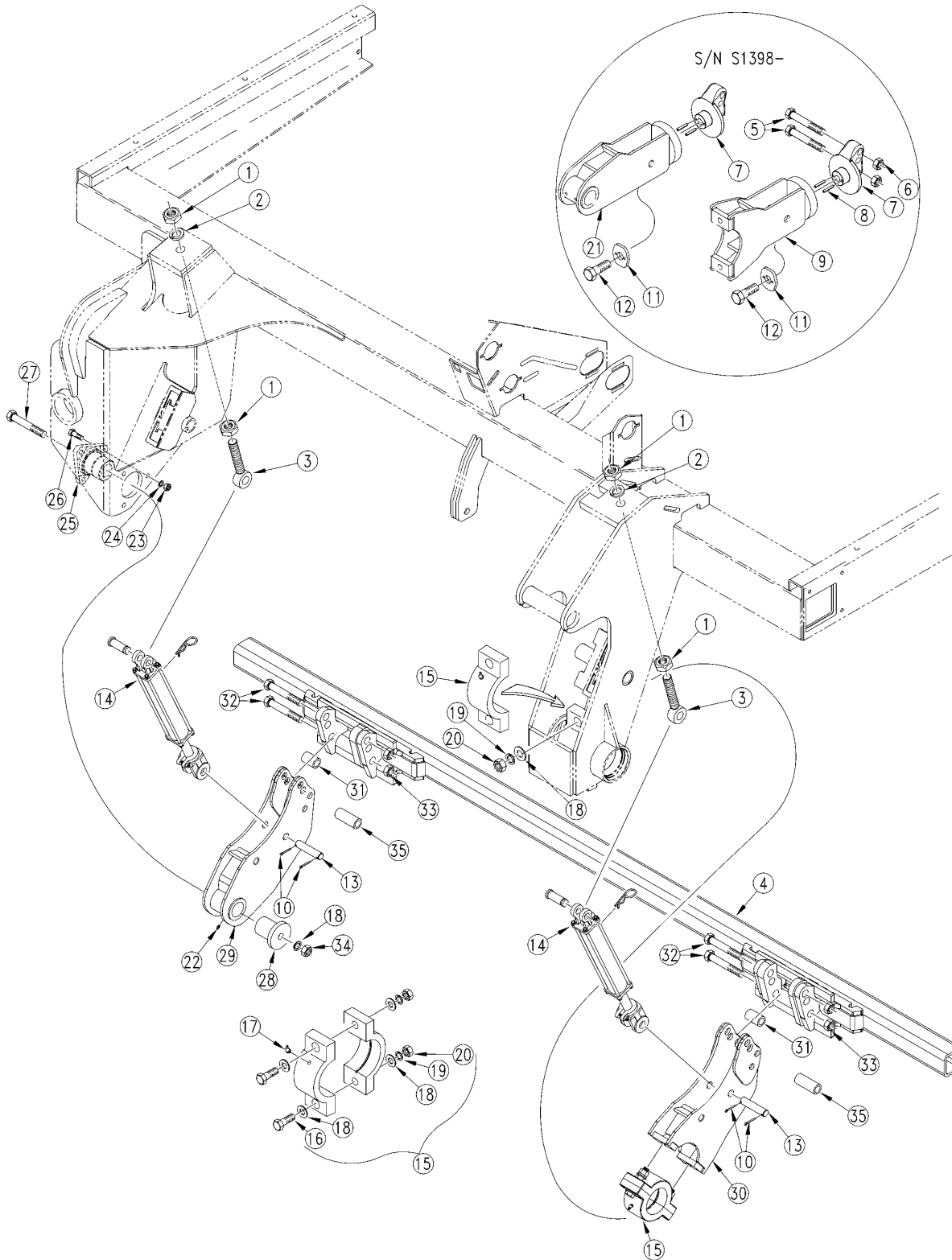
(Applies to 3S-3000 HD, 3S-3000 HDF only)

Ref	Part No.	Part Description	Comments	Revision
	dwg31230	Image No.		
1.	194-135H	PARKING STAND LEG		
2.	195-062H	LADDER WELDMENT 3-STEP NARROW		
3.	195-114H	30'-3S WALKBOARD		
4.	802-034C	HHCS 1/2-13X1 1/4 GR5		
5.	802-030C	RHSNB 7/16-14X1 3/4 GR5		
6.	803-020C	NUT HEX 1/2-13 PLT		
7.	804-015C	WASHER LOCK SPRING 1/2 PLT		
8.	805-032C	PIN HAIR COTTER .148 WIRE		
9.	805-197C	PIN BENT SHANK LOCK 5/8 OD		
10.	802-079C	HHCS 3/8-16X1 1/4 GR5		
11.	804-016C	WASHER FLAT 1/2 SAE PLT		
12.	803-209C	NUT FLANGE LOCK 3/8-16 PLT		
13.	195-064H	LADDER MOUNT TOP WELDMENT RH	Shown	
13.	195-063H	LADDER MOUNT TOP WELDMENT LH		
14.	802-017C	HHCS 3/8-16X1 GR5		
15.	195-340D	LADDER MOUNT BOTTOM PLATE		
16.	804-013C	WASHER LOCK SPRING 3/8 PLT		
17.	803-068C	NUT HEX FLANGE 3/8-16 PLT		
18.	803-015C	NUT HEX 7/16-14 PLT		
19.	804-014C	WASHER LOCK 7/16 PLT		
20.	195-310H	WALKBOARD EXTENSION LH	LH Used with Small Seeds Only	
21.	195-311H	WALKBOARD EXTENSION RH	RH Used with Small Seeds Only	

[Table of Contents](#) [Part Number Index](#)

Right Hand And Left Hand Subframes To Box Frames

(Applies to 3S-3000 HD, 3S-3000 HDF only)



15451

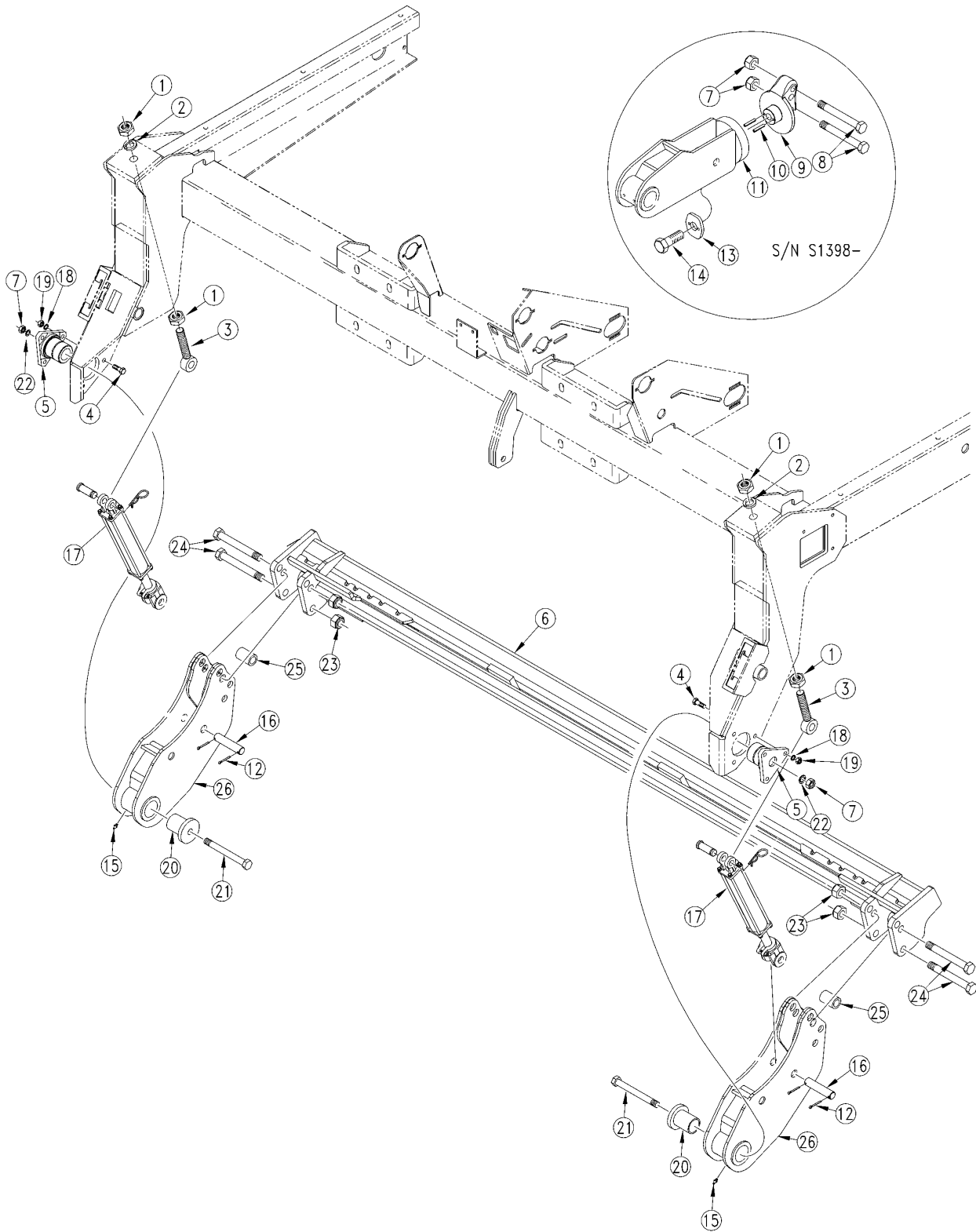
Right Hand And Left Hand Subframes To Box Frames

(Applies to 3S-3000 HD, 3S-3000 HDF only)

Ref	Part No.	Part Description	Comments	Revision
	dwg15451	Image No.		
1.	803-031C	NUT HEX 1-8 PLT		
2.	804-027C	WASHER LOCK SPRING 1 PLT		
3.	194-129H	6 1/8 EYE BOLT		
4.	194-204H	3S-3000 OPENER SUBFRAME RH	(S/N S1402+) Shown	
4.	194-205H	3S-3000 OPENER SUBFRAME LH	(S/N S1402+)	
4.	194-126H	SUBFRAME END RIGHT	(S/N S1401-)	
4.	194-127H	SUBFRAME END LEFT	(S/N S1401-)	
5.	802-594C	HHCS 3/4-10X5 1/2 GR5	(S/N S1398-)	
6.	803-026C	NUT LOCK 3/4-10 PLT	(S/N S1398-)	
7.	194-100D	TRUNNION CASTING MACHINED	(S/N S1398-) Order with 802-441C.	
8.	805-156C	PIN ROLL 5/16 X 1 LG	(S/N S1398-)	
9.	194-124H	SUBFRAME PIVOT ARM OUTSIDE	(S/N S1398-)	
10.	805-104C	PIN COTTER 3/16 X 1 1/2 PLT		
11.	194-101D	PIVOT ARM WASHER	(S/N S1398-)	
12.	802-441C	HHCS 1 1/8-7X2 1/2 GR5	(S/N S1022 - S1398)	Revision 2 is not interchangeable with revision 1.
12.	802-586C	HHCS 1 1/8-7X2 GR5 FTHD	(S/N S1021-)	1st Revision.
13.	805-236C	PIN CLEVIS 1 X 3 7/8 USBLE PLT		
14.	810-299C	CYL 2X8X1.12 ROD (TIE ROD)	Refer to Hydraulic Cylinder (810-299C 2X8X1.12 ROD) for breakdown	
15.	194-123K	3S BEARING ASSEMBLY	Includes items 17 through 23 (discard 2 of 4 flatwashers upon installation).	
16.	802-204C	HHCS 3/4-10X3 3/4 GR5		
17.	800-058C	GREASE ZERK 1/4-28 X 45-DEG		
18.	804-025C	WASHER FLAT 3/4 SAE PLT		
19.	804-023C	WASHER LOCK SPRING 3/4 PLT		
20.	803-027C	NUT HEX 3/4-10 PLT		
21.	194-128H	SUBFRAME PIVOT ARM INSIDE	(S/N S1398-)	
22.	800-001C	GREASE ZERK STRAIGHT 1/4-28		
23.	803-020C	NUT HEX 1/2-13 PLT		
24.	804-015C	WASHER LOCK SPRING 1/2 PLT		
25.	120-247D	3 BOLT PIVOT CAST W/ BOLT HOLE		
26.	802-082C	HHCS 1/2-13X1 3/4 GR5		
27.	802-095C	HHCS 3/4-10X7 GR5	(S/N S1046+)	
28.	195-188H	SUBFRAME ARM RETAINER	(S/N S1045+)	
29.	194-156H	SUBFRAME FLEX ARM, INNER	(S/N S1399+)	
30.	194-155H	SUBFRAME FLEX ARM, OUTER	(S/N S1399+)	
31.	194-516D	SUBFRAME FLEX ARM SPACER, SHORT	(S/N S1399+)	
32.	802-662C	HHCS 7/8-9X8 1/2 GR5	(S/N S1399+)	
33.	803-028C	NUT NY-LOK 7/8-9 PLT	(S/N S1399+)	
34.	803-026C	NUT LOCK 3/4-10 PLT	(S/N S1399+)	
35.	194-515D	SUBFRAME FLEX ARM SPACER, LONG	(S/N S1402+)	

Center Subframe To Box Frame

(Applies to 3S-3000 HD, 3S-3000 HDF only)



15452

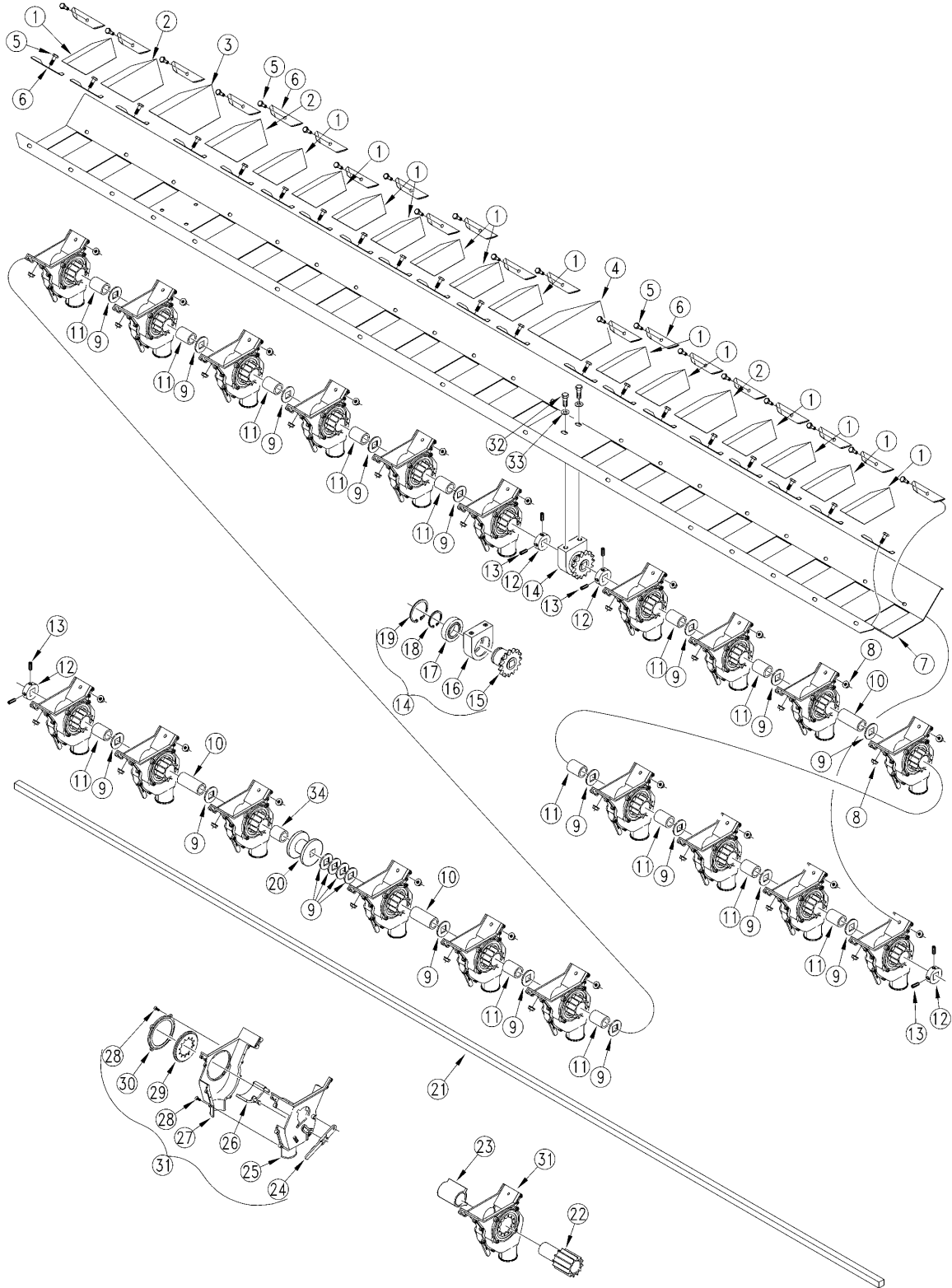
Center Subframe To Box Frame

(Applies to 3S-3000 HD, 3S-3000 HDF only)

Ref	Part No.	Part Description	Comments	Revision
	dwg15452	Image No.		
1.	803-031C	NUT HEX 1-8 PLT		
2.	804-027C	WASHER LOCK SPRING 1 PLT		
3.	194-129H	6 1/8 EYE BOLT		
4.	802-082C	HHCS 1/2-13X1 3/4 GR5		
5.	120-247D	3 BOLT PIVOT CAST W/ BOLT HOLE		
6.	194-203H	3S-3000 OPENER SUBFRAME CENTER	(S/N S1399+)	
6.	194-125H	SUBFRAME CENTER	(S/N S1398-); Not shown	
7.	803-026C	NUT LOCK 3/4-10 PLT	(S/N S1398-)	
8.	802-070C	HHCS 3/4-10X6 GR5	(S/N S1398-)	
9.	194-100D	TRUNNION CASTING MACHINED	(S/N S1398-); Order with 802-441C	
10.	805-156C	PIN ROLL 5/16 X 1 LG	(S/N S1398-)	
11.	194-128H	SUBFRAME PIVOT ARM INSIDE	(S/N S1398-)	
12.	805-104C	PIN COTTER 3/16 X 1 1/2 PLT		
13.	194-101D	PIVOT ARM WASHER		
14.	802-441C	HHCS 1 1/8-7X2 1/2 GR5	(S/N S1022 - S1398)	Rev. 2 is not interchangeable w/rev. 1
14.	802-586C	HHCS 1 1/8-7X2 GR5 FTHD	(S/N S1021-)	1st rev.
15.	800-001C	GREASE ZERK STRAIGHT 1/4-28		
16.	805-236C	PIN CLEVIS 1 X 3 7/8 USBLE PLT		
17.	810-299C	CYL 2X8X1.12 ROD (TIE ROD)	Refer to Hydraulic Cylinder (810-299C 2X8X1.12 ROD) for breakdown	
18.	804-015C	WASHER LOCK SPRING 1/2 PLT		
19.	803-020C	NUT HEX 1/2-13 PLT		
20.	195-188H	SUBFRAME ARM RETAINER	(S/N S1046+)	
21.	802-095C	HHCS 3/4-10X7 GR5	(S/N S1046+)	
22.	804-025C	WASHER FLAT 3/4 SAE PLT	(S/N S1046+)	
23.	803-028C	NUT NY-LOK 7/8-9 PLT	(S/N S1399+)	
24.	802-139C	HHCS 7/8-9X7 GR5	(S/N S1399+)	
25.	194-516D	SUBFRAME FLEX ARM SPACER,SHORT	(S/N S1399+)	
26.	194-156H	SUBFRAME FLEX ARM, INNER	(S/N S1399+)	

6" Feeder Cup Spacing

(Applies to 3S-3000 HD, 3S-3000 HDF only)



15454

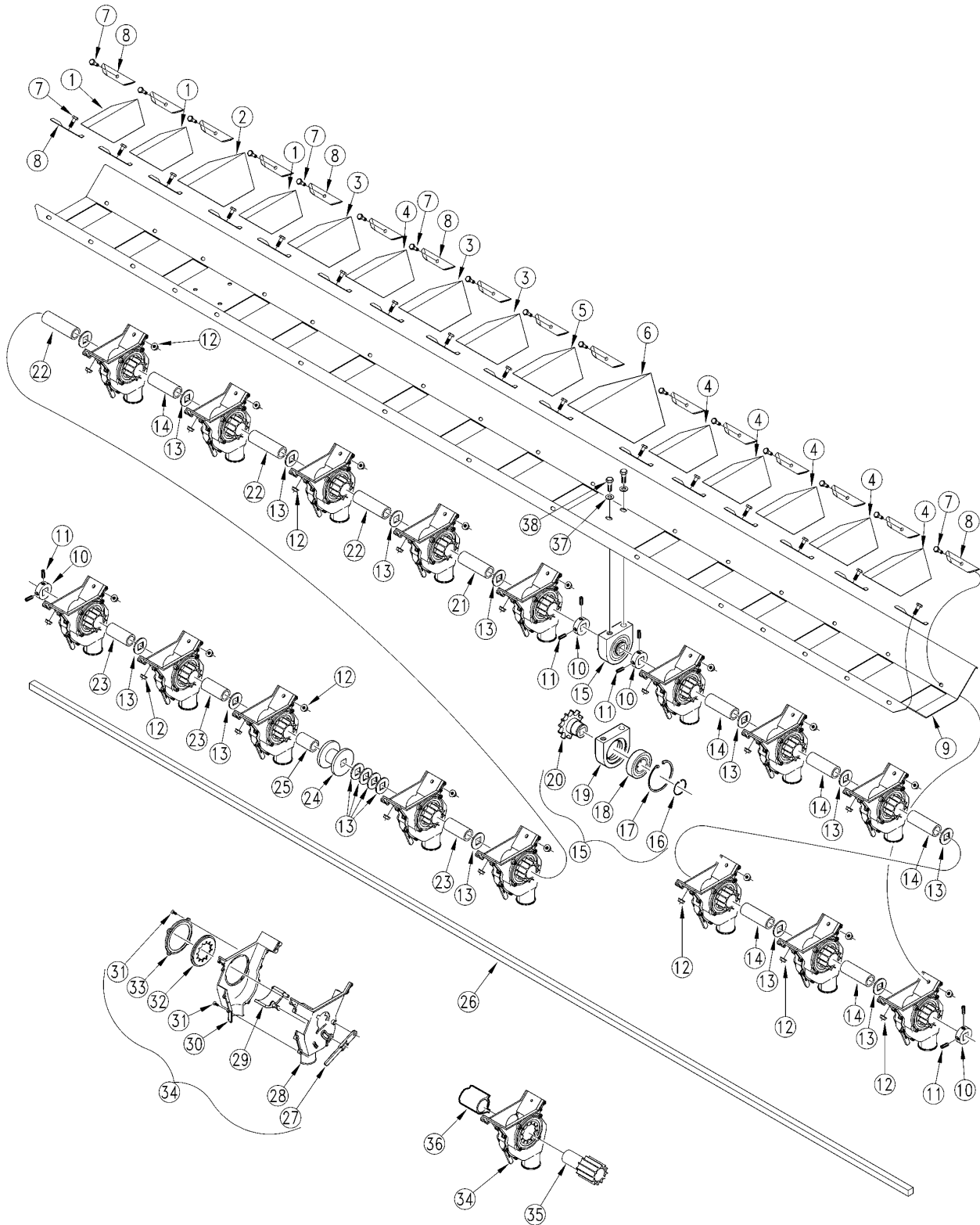
6" Feeder Cup Spacing

(Applies to 3S-3000 HD, 3S-3000 HDF only)

Ref	Part No.	Part Description	Comments	Revision
	dwg15454	Image No.		
1.	118-431D	3 BOX DIVIDER FOR 4 7/8 ROW		
2.	118-433D	BOX DVDR 4.00 X 60DEG		
3.	118-437D	BOX DVDR 5.13 X 60DEG		
4.	118-432D	6 5/8 BOX DVDR FOR 8 1/2 ROW		
5.	802-004C	HHCS 1/4-20X3/4 GR5		
6.	118-341D	2SNT SEED BOX DIVIDER CLIP		
7.	195-105D	30'-6 20RW FEEDERCUP TRAY		
8.	803-194C	NUT HEX WHIZ 1/4-20 PLT		
9.	804-031C	WASHER RETAINING		
10.	152-044D	2.454 FEEDER CUP SPACER		
11.	118-434D	SPACER TUBE X 1.454		
12.	890-350C	5/8 SHAFT LOCKING COLLAR		
13.	801-035C	SCREW SET 5/16-18 SKT KP X 3/8		
14.	118-226S	FEEDER CUP BEARING ASSEMBLY	Includes items 15 through 19.	
15.	118-508D	BEARING HUB 40A15		2nd Revision.
15.	118-227E	RPBY 118-508D		Use existing stock; 1st Revision.
16.	118-336D	FEEDER CUP BEARING HOUSING		
17.	822-103C	BRG 30IDX55OD MM		
18.	800-004C	SNAP RING EXT BASIC 1 3/16		
19.	800-107C	SNAP RING INTERNAL 2.165		
20.	109-091D	MACHINED ADJUSTMENT SPOOL		
21.	195-106D	5/8SQ. 107 7/32 FEEDRCUP SHFT		
22.	890-190C	PM SEED CUP SPROCKET		
22.	817-072C	RPBY 890-190C		
23.	817-074C	SEED CUP SLEEVE		
24.	817-071C	SEED CUP ADJUSTMENT HANDLE		
25.	817-069C	SEED CUP RIGHT HALF		
26.	817-070C	SEED CUP DOOR		
27.	817-068C	SEED CUP LEFT HALF		
28.	801-057C	SCR SELF TAP 8X3/8 TYPE25 BT		
29.	817-004C	NYLON WASHER-SPLIT		
30.	817-073C	SEED CUP WASHER RETAINER		
31.	817-075C	SEED CUP ASSEMBLY	Includes items 24 through 30.	
32.	802-014C	HHCS 3/8-16X3/4 GR5		
33.	804-013C	WASHER LOCK SPRING 3/8 PLT		
34.	118-443D	SPACER TUBE X 1.207		

7 1/2" Feeder Cup Spacing

(Applies to 3S-3000 HD, 3S-3000 HDF only)



15455

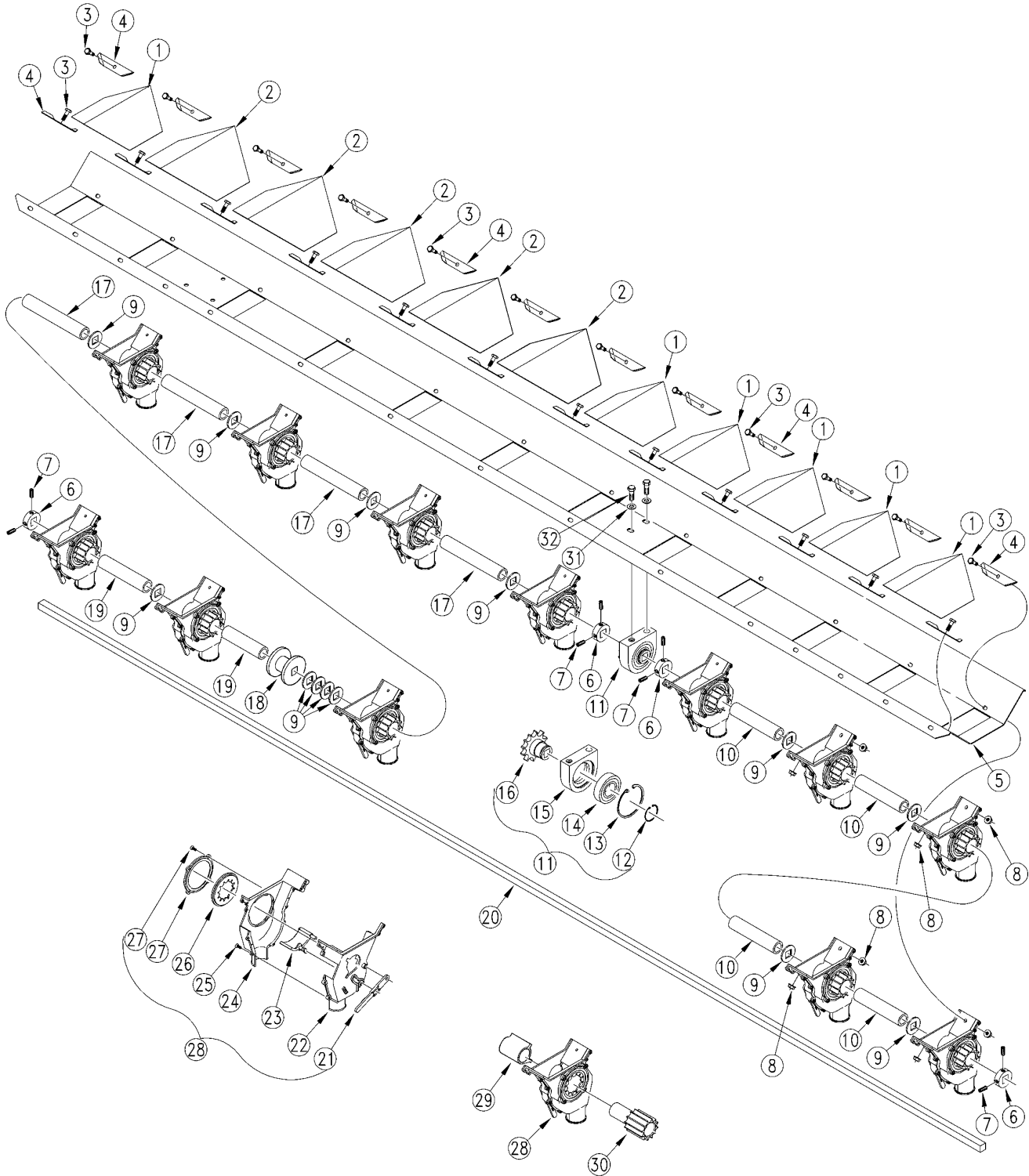
7 1/2" Feeder Cup Spacing

(Applies to 3S-3000 HD, 3S-3000 HDF only)

Ref	Part No.	Part Description	Comments	Revision
	dwg15455	Image No.		
1.	118-433D	BOX DVDR 4.00 X 60DEG		
2.	118-340D	5 5/8 BOX DVDR FOR 7 1/2 ROW		
3.	118-437D	BOX DVDR 5.13 X 60DEG		
4.	118-370D	4 5/8 BOX DVDR FOR 8 ROW		
5.	118-339D	4 13/16 BOX DVDR FOR 7 1/2 ROW		
6.	118-356D	BOX DIVIDER FOR 10 ROW		
7.	802-004C	HHCS 1/4-20X3/4 GR5		
8.	118-341D	2SNT SEED BOX DIVIDER CLIP		
9.	195-103D	30'-7 1/2 16RW FEEDERCUP TRAY		
10.	890-350C	5/8 SHAFT LOCKING COLLAR		
11.	801-035C	SCREW SET 5/16-18 SKT KP X 3/8		
12.	803-194C	NUT HEX WHIZ 1/4-20 PLT		
13.	804-031C	WASHER RETAINING		
14.	118-376D	SPACER TUBE X 3.078		
15.	118-226S	FEEDER CUP BEARING ASSEMBLY	Includes items 16 through 20	
16.	800-004C	SNAP RING EXT BASIC 1 3/16		
17.	800-107C	SNAP RING INTERNAL 2.165		
18.	822-103C	BRG 30IDX55OD MM		
19.	118-336D	FEEDER CUP BEARING HOUSING		
20.	118-508D	BEARING HUB 40A15		2nd rev.
20.	118-227E	RPBY 118-508D		Use existing stock; 1st rev.
21.	118-347D	SPACER TUBE X 3.266		
22.	118-438D	SPACER TUBE X 3.579		
23.	152-044D	2.454 FEEDER CUP SPACER		
24.	109-091D	MACHINED ADJUSTMENT SPOOL		
25.	118-439D	SPACER TUBE X 1.707		
26.	195-106D	5/8SQ. 107 7/32 FEEDRCUP SHFT		
27.	817-071C	SEED CUP ADJUSTMENT HANDLE		
28.	817-069C	SEED CUP RIGHT HALF		
29.	817-070C	SEED CUP DOOR		
30.	817-068C	SEED CUP LEFT HALF		
31.	801-057C	SCR SELF TAP 8X3/8 TYPE25 BT		
32.	817-004C	NYLON WASHER-SPLIT		
33.	817-073C	SEED CUP WASHER RETAINER		
34.	817-075C	SEED CUP ASSEMBLY	Includes items 27 through 33	
35.	817-072C	RPBY 890-190C		
36.	817-074C	SEED CUP SLEEVE		
37.	804-013C	WASHER LOCK SPRING 3/8 PLT		
38.	802-014C	HHCS 3/8-16X3/4 GR5		

10" Feeder Cup Spacing

(Applies to 3S-3000 HD, 3S-3000 HDF only)



15456

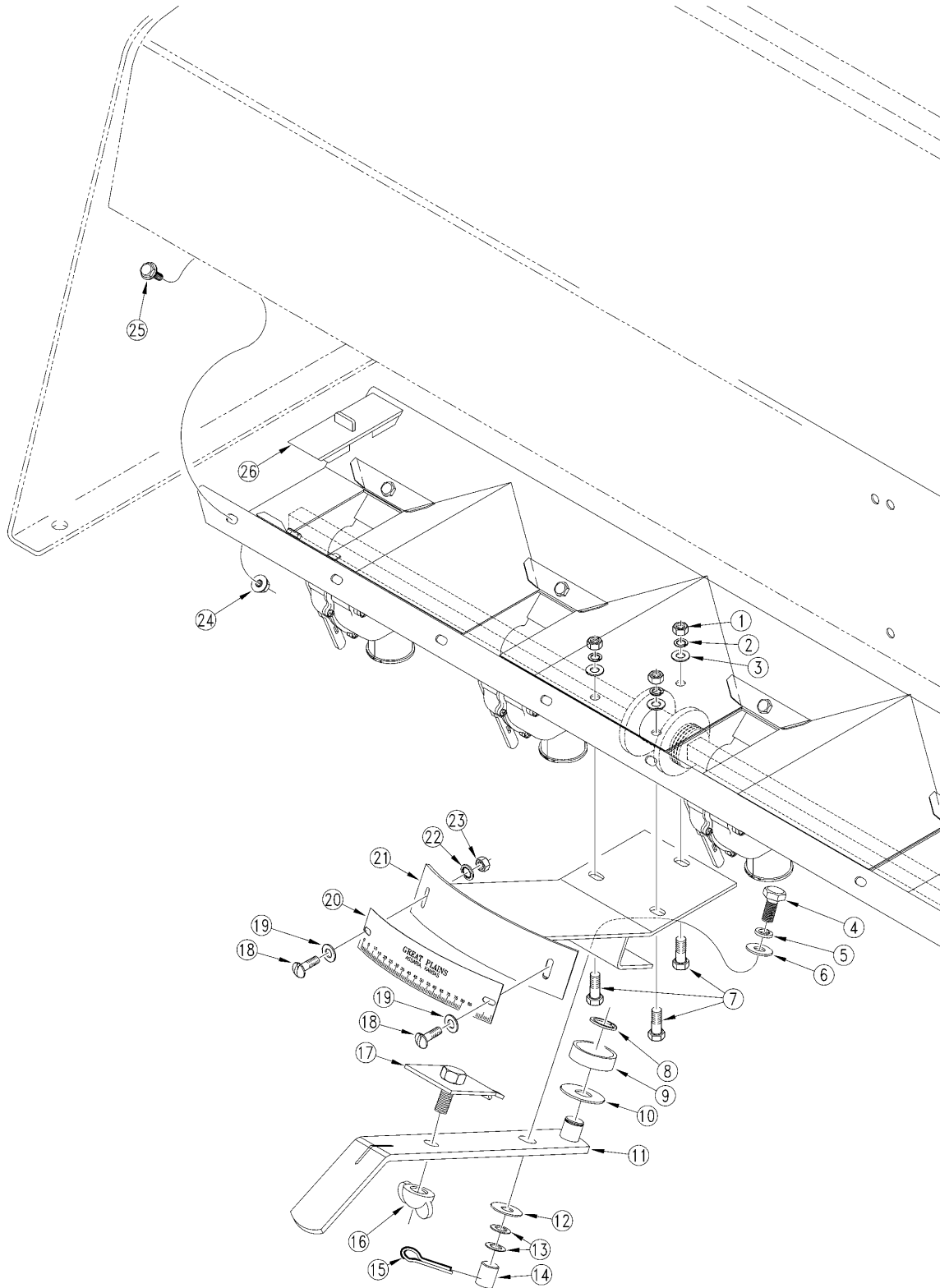
10" Feeder Cup Spacing

(Applies to 3S-3000 HD, 3S-3000 HDF only)

Ref	Part No.	Part Description	Comments	Revision
	dwg15456	Image No.		
1.	118-432D	6 5/8 BOX DIVDER FOR 8 1/2 ROW		
2.	118-356D	BOX DIVIDER FOR 10 ROW		
3.	802-004C	HHCS 1/4-20X3/4 GR5		
4.	118-341D	2SNT SEED BOX DIVIDER CLIP		
5.	195-104D	30'-10 12RW FEEDERCUP TRAY		
6.	890-350C	5/8 SHAFT LOCKING COLLAR		
7.	801-035C	SCREW SET 5/16-18 SKT KP X 3/8		
8.	803-194C	NUT HEX WHIZ 1/4-20 PLT		
9.	804-031C	WASHER RETAINING		
10.	118-440D	SPACER TUBE X 5.079		
11.	118-226S	FEEDER CUP BEARING ASSEMBLY	Includes items 12 through 16.	
12.	800-004C	SNAP RING EXT BASIC 1 3/16		
13.	800-107C	SNAP RING INTERNAL 2.165		
14.	822-103C	BRG 30IDX55OD MM		
15.	118-336D	FEEDER CUP BEARING HOUSING		
16.	118-508D	BEARING HUB 40A15		2nd Revision.
16.	118-227E	RPBY 118-508D		Use existing stock; 1st Revision.
17.	118-353D	185C058TUBE X 6.578		
18.	109-091D	MACHINED ADJUSTMENT SPOOL		
19.	118-442D	SPACER TUBE X 4.207		
20.	195-106D	5/8SQ. 107 7/32 FEEDRCUP SHFT		
21.	817-071C	SEED CUP ADJUSTMENT HANDLE		
22.	817-069C	SEED CUP RIGHT HALF		
23.	817-070C	SEED CUP DOOR		
24.	817-068C	SEED CUP LEFT HALF		
25.	801-057C	SCR SELF TAP 8X3/8 TYPE25 BT		
26.	817-004C	NYLON WASHER-SPLIT		
27.	817-073C	SEED CUP WASHER RETAINER		
28.	817-075C	SEED CUP ASSEMBLY	Includes items 21 through 27.	
29.	817-074C	SEED CUP SLEEVE		
30.	890-190C	PM SEED CUP SPROCKET		
30.	817-072C	RPBY 890-190C		
31.	804-013C	WASHER LOCK SPRING 3/8 PLT		
32.	803-014C	NUT HEX 3/8-16 PLT		

Seed Rate Adjustment Handle

(Applies to 3S-3000 HD, 3S-3000 HDF only)



15453

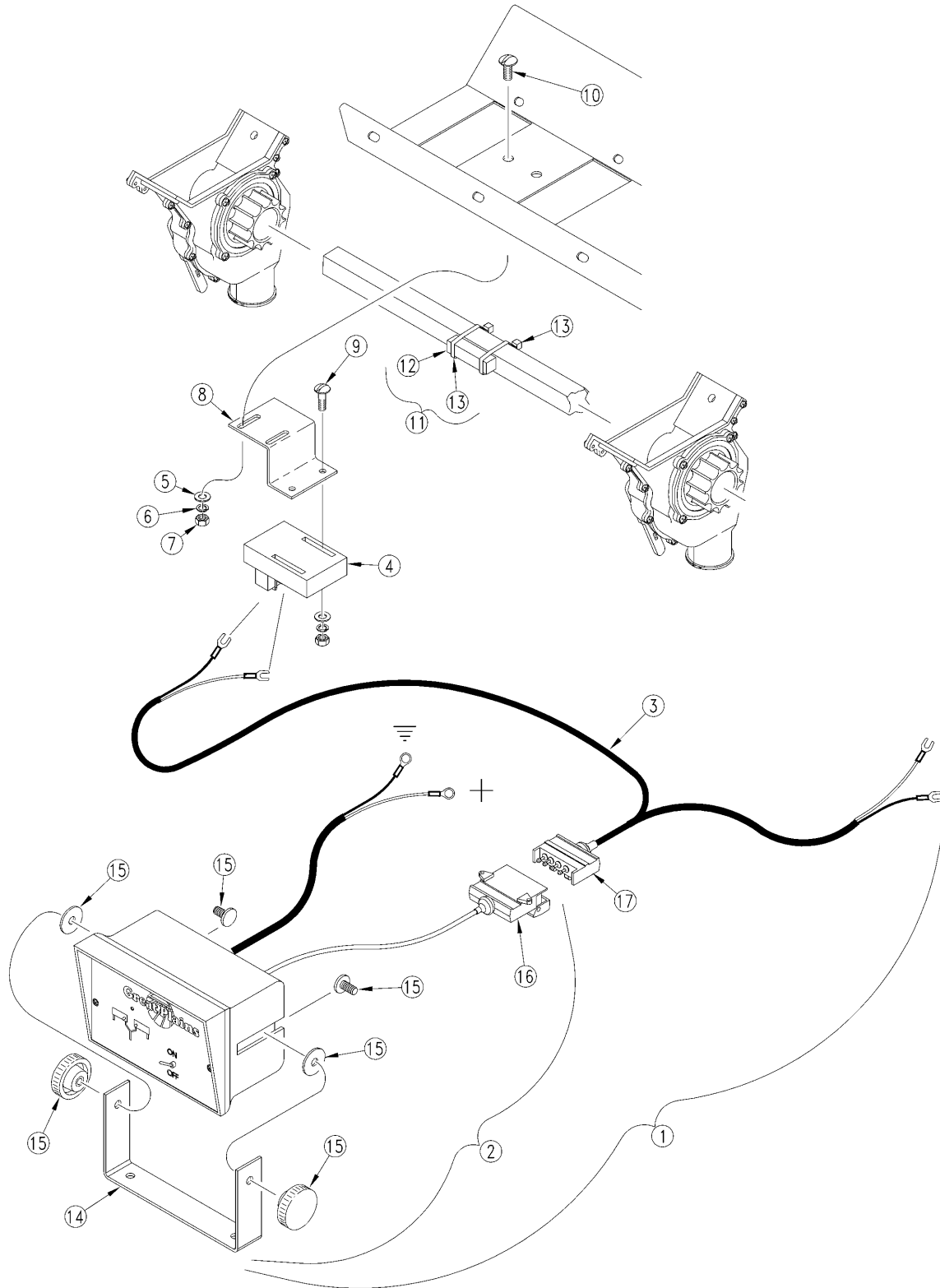
Seed Rate Adjustment Handle

(Applies to 3S-3000 HD, 3S-3000 HDF only)

Ref	Part No.	Part Description	Comments	Revision
	dwg15453	Image No.		
1.	803-008C	NUT HEX 5/16-18 PLT		
2.	804-009C	WASHER LOCK SPRING 5/16 PLT		
3.	804-036C	WASHER FLAT 5/16 SAE PLT		
4.	802-014C	HHCS 3/8-16X3/4 GR5		
5.	804-013C	WASHER LOCK SPRING 3/8 PLT		
6.	804-012C	WASHER FLAT 3/8 SAE PLT		
7.	802-007C	HHCS 5/16-18X3/4 GR5		
8.	800-003C	SNAP RING EXT 17 MM		
9.	822-008C	BRG BALL 17IDX40OD 6203		
10.	804-001C	WASHER ADJ HANDLE BRG		
11.	118-443H	SEED RATE ADJ HANDLE WLDMNT		
12.	804-021C	WASHER FLAT 5/8 SAE PLT		
13.	804-040C	WASHER MACH 1.19 X .63 X 18GA		
14.	109-069D	ADJUSTMENT HANDLE PIVOT		
15.	805-016C	PIN COTTER 3/16 X 1 1/4 PLT		
16.	803-016C	NUT WING 1/2-13 PLT		
17.	109-025H	ADJ LOCK PLATE ASS'Y - 1 1/2 W		
18.	801-001C	SCREW RD HD 8-32 X 3/8 BRASS		
19.	804-003C	WASHER FLAT #8 BRASS		
20.	819-001C	NAME PLATE ADJ. GUIDE LONG		
21.	118-444H	SEED RATE ADJ WLDMNT		
22.	804-002C	WASHER INTERNAL STAR #8 BRASS		
23.	803-035C	NUT HEX 8-32 BRASS		
24.	803-088C	NUT HEX LOCK 1/4-20 FLG		
25.	802-196C	HFSS 1/4-20X5/8 GR5		
26.	817-087C	1 3/4 WIDE FEEDER CUP PLUG		

Vansco Shaft Monitor (Option)

(Applies to 3S-3000 HD, 3S-3000 HDF only)



27009

Vansco Shaft Monitor (Option)

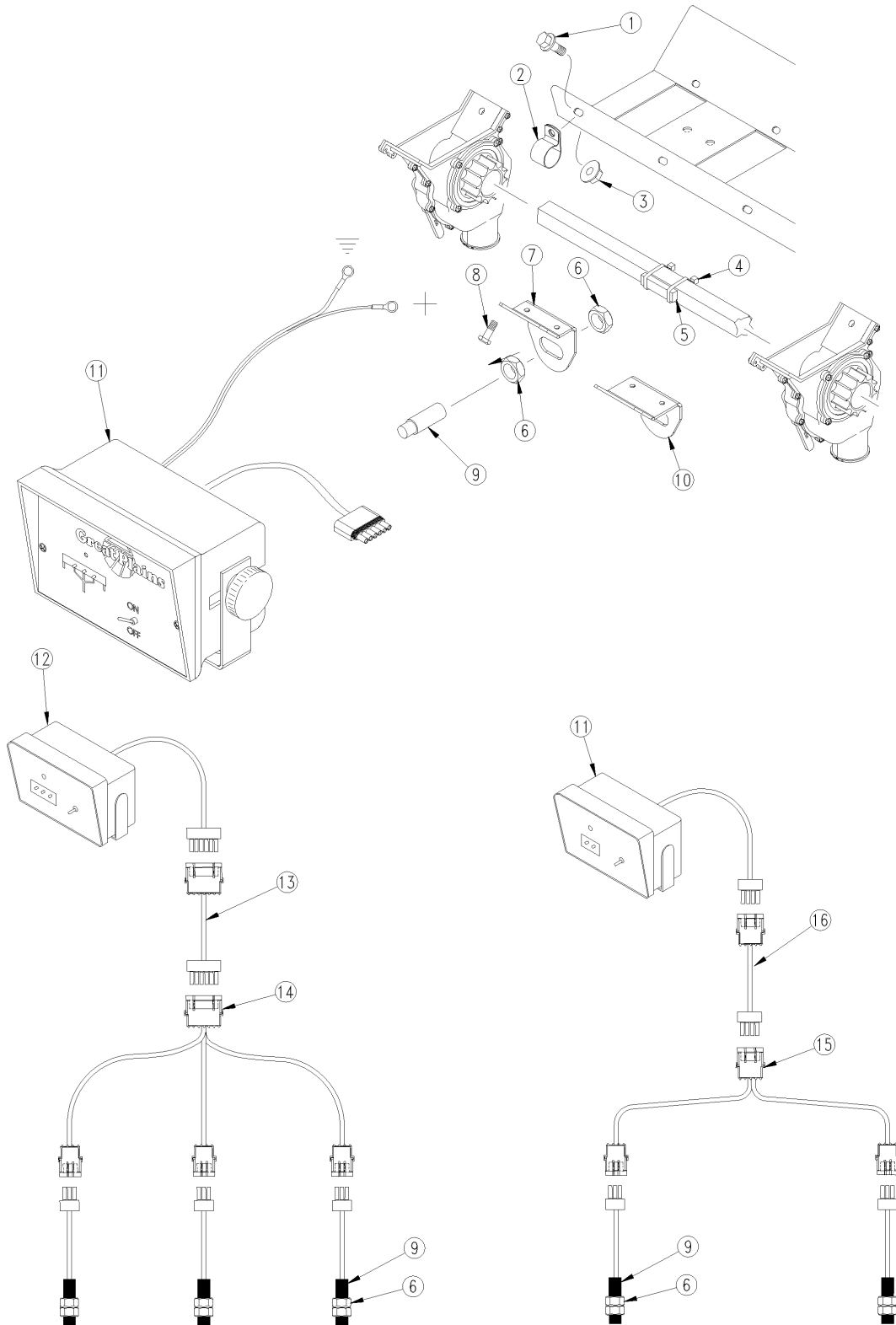
(Applies to 3S-3000 HD, 3S-3000 HDF only)

Ref	Part No.	Part Description	Comments	Revision
	dwg27009	Image No.		
1.	823-059C	VANSCO 2 CHANNEL SHAFT MONITOR		
1.	823-060C	VANSCO 3 CHANNEL SHAFT MONITOR		
1.	823-076C	VANSCO 2 CHNL SHAFT MNTR-2SNT		
2.	253001	VANSCO CONTROL BOX ASSY 2 CH		
2.	253000	VANSCO CONTROL BOX ASSY 3 CH		
3.	253701	VANSCO HARNESS 2 CH 40FT		
3.	253700	VANSCO HARNESS 3 CH 60FT		
4.	VA-080002	REED SWITCH PICK-UP		
5.	804-088C	WASHER FLAT #8 SAE PLT		
6.	804-043C	WASHER LOCK #8		
7.	803-064C	NUT HEX 8-32		
8.	116-181D	VANSCO SWITCH BRACKET		
9.	801-067C	SCREW RD HD 8-32 X 1 1/2LG PLT		
10.	801-016C	SCREW RD HD 8-32 X 1/2 LG PLT		
11.	116-132K	VANSCO MAGNET & CABLE TIE ASSY		
12.	890-321C	VANSCO MAGNET		
13.	800-112C	CABLE TIE .19X7.25 1.75D 50LB		
14.	VA-VMM253501	MOUNTING BRACKET		
15.	VA-253307	VANSCO MOUNTING KNOB KIT		
16.	VA-JX-B77	BRYLITE CONSOLE END		
17.	VA-JX-B76	BRYLITE HARNESS END		

[Table of Contents](#) [Part Number Index](#)

Loup Shaft Monitor (2 Channel 116-282A) (3 Channel 116-283A)

(Applies to 3S-3000 HD, 3S-3000 HDF only)



34220

Loup Shaft Monitor (2 Channel 116-282A) (3 Channel 116-283A)

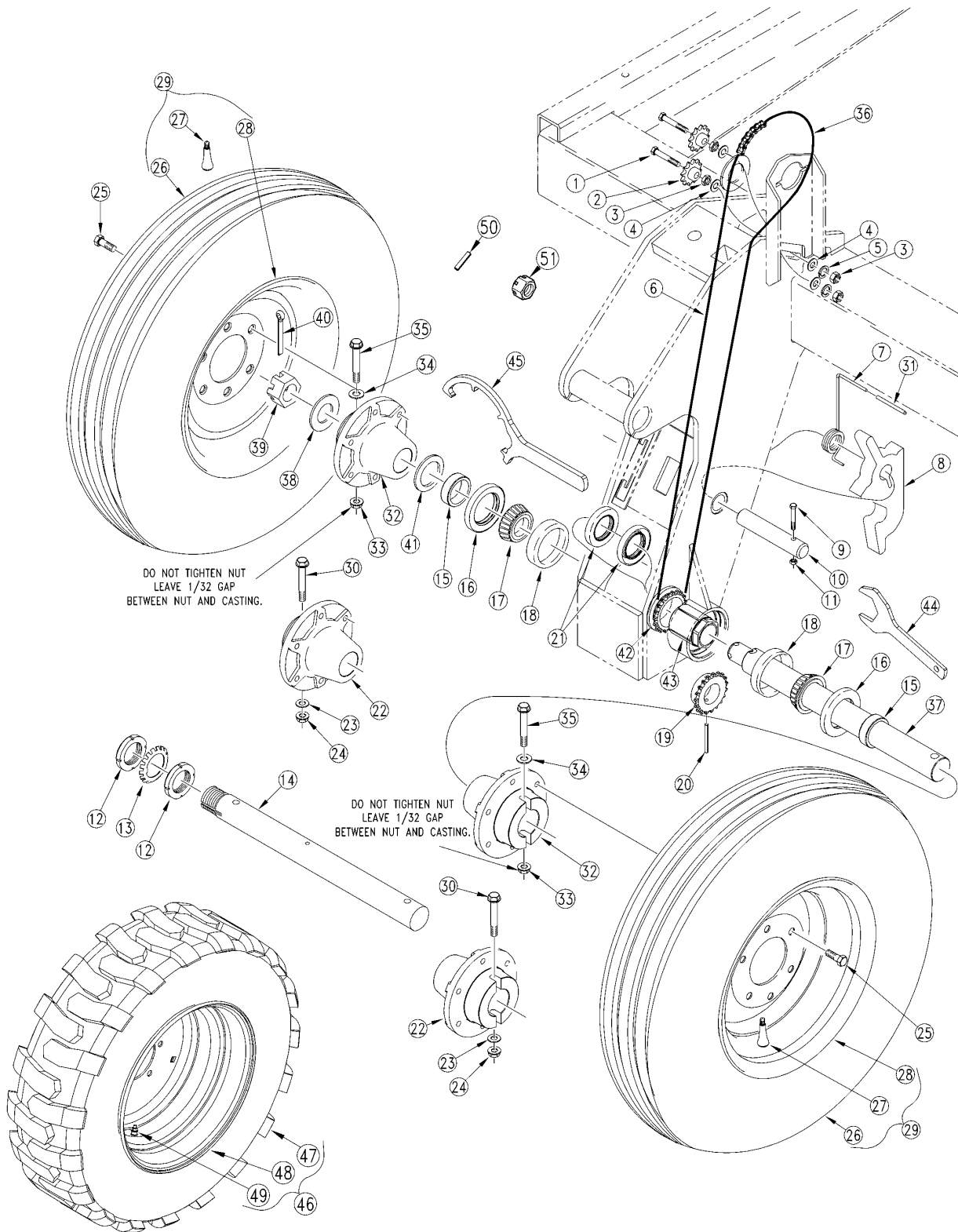
(Applies to 3S-3000 HD, 3S-3000 HDF only)

Ref	Part No.	Part Description	Comments	Revision
	dwg34220	Image No.		
1.	802-257C	HFSS 1/4-20X3/4 GR5		
2.	800-052C	HOSE CLIP 5/8 I.D.		
3.	803-088C	NUT HEX LOCK 1/4-20 FLG		
4.	770026	CABLE TIE, NYLON		
5.	540017	MAGNET, ADHESIVE BACKED, LARGE		
6.	710425	NUT HEX JAM, PLASTIC M16 X 2		
7.	116-019D	SHAFT SENSOR MOUNT		
8.	801-199C	SCR SELF TAP #10 X 3/4		
9.	253100	LOUP SHAFT SENSOR 2&3 CHANNEL		
10.	116-020D	SMALL CUP SENSOR MOUNT		
11.	253017	LOUP 3 CHANNEL SHAFT MONITOR		
12.	253016	LOUP 2 CHANNEL SHAFT MONITOR		
13.	833-595C	SHAFT MONITOR EXT. 30' 6P WP		
14.	318951	HARNESS 3 SHAFT MONITOR LOUP		
15.	253017	LOUP 3 CHANNEL SHAFT MONITOR		
16.	833-596C	SHAFT MONITOR EXT. 25' 4P WP		
17.	318917	HARNESS 2 SHAFT MONITOR LOUP		

Table of Contents Part Number Index

Dual Gauge Wheel (S/N S3199-)

(Applies to 3S-3000 HD, 3S-3000 HDF only)



15458

Table of Contents Part Number Index

Gauge Wheels

Dual Gauge Wheel (S/N S3199-)

(Applies to 3S-3000 HD, 3S-3000 HDF only)

Ref	Part No.	Part Description	Comments	Revision
	dwg15458	Image No.		
1.	802-039C	HHCS 1/2-13X3 GR5		
2.	817-423C	NO. 50 12T IDLER SPKT	S/N S1399+	
2.	817-025C	NO. 40 12T IDLER SPKT.	S/N S1398-	
3.	803-036C	NUT HEX JAM 1/2-13 PLT		
4.	804-113C	WASHER FLAT 1/2 USS HARD PLT		
5.	804-015C	WASHER LOCK SPRING 1/2 PLT		
6.	136-173D	CHAIN RL #50 161 PITCHES	S/N S1399+	
6.	809-172C	CHAIN RL #40 X 190 PITCH W/CON	S/N S1398-	
7.	194-274D	3S TORSION SPRING HANDLE RH	(SHOWN)	
7.	194-273D	3S TORSION SPRING HANDLE LH		
8.	195-159D	SUBFRAME LOCK HOOK		
9.	802-138C	HHCS 5/16-18X2 1/4 GR5		
10.	195-160D	GAUGE WHEEL LOCK PIN		
11.	803-011C	NUT LOCK 5/16-18 PLT		
12.	803-208C	NUT BEARING LOCK, TN-10		
13.	804-098C	WASHER BEARING LOCK, TW110		
14.	195-265D	SPNDL 2 X 24.70 W/ 1.5-12 THD	(S/N S1504+) Use with items 32-35.	3rd Revision.
14.	195-229D	SPNDLE 2"W/5/8 CROSS HOLE DUAL	(S/N S1182 - S/N S1503) Use with items 32-35.	Revision 2 is not interchangeable with revision 1.
14.	195-142D	SPNDLE 2X24 1/2 W/1.95-18 THD	(S/N S1181-) Use with items 22-24 & 30.	1st Revision.
15.	120-198D	AXLE SPACER TUBE		
16.	816-138C	SEAL DBL LIP 2.5 ID X 3.881 OD		
17.	822-117C	BEARING CONE 2 TIM33889		
18.	822-118C	BEARING CUP 2 TIM33821		
19.	808-287C	SPKT 50B19C2B W/5/16 HOLE	S/N S1399+	
19.	808-097C	SPKT 40B19X2B W/5/16 HOLE	S/N S1398-	
20.	805-030C	PIN ROLL 5/16 X 3 PLT	S/N S1399+	
21.	816-012C	SEAL 3.375 X 2.0 X.438 CR20125		
22.	195-107D	HUB;HVY 6 BLT 2 BR 4.62 PILOT	S/N S1181-	
23.	804-016C	WASHER FLAT 1/2 SAE PLT	S/N S1181-	
24.	803-169C	NUT HEX FLG. LOCK 1/2-13 PLT	S/N S1181-	
25.	802-104C	BOLT WHEEL 1/2-20X1 90-DEG		
26.	814-011C	TIRE 9.5 L X 15 8 PLY	Formerly 814-026C	
27.	816-035C	VALVE STEM TR415X.625X1 1/4 LG		
28.	814-008C	WHEEL 8 X 15 X 6 BOLT	S/N S3236-	
28.	814-540C	WHEEL 15X8 6 BOLT BUCKSKIN	S/N S3237+	
29.	161-046K	6 BOLT WHL&TIRE 6 PLY TUBELES	Includes items: 26, 27, & 28. S/N S3236-	
29.	161-026K	6BLT WHL&TIRE 8PLY TUBLES BKSN	S/N S3237+	
30.	194-297D	HHCS 1/2-13 X 4 3/16 GR8 SP	S/N S1182+	
30.	802-548C	HFS 1/2-13X4 GR8 SPTH	S/N S1181-	
31.	816-241C	RUBBER HANDLE GRIP.207IDX3 1/2		
32.	152-390D	6-BOLT HEAVY DRIVE HUB 2 BORE	S/N S1182+	
33.	803-263C	NUT HEX FLANGE LOCK 5/8-11 PLT	S/N S1182+	
34.	804-095C	WASHER FLAT 5/8 HARD ASTM436	S/N S1182+	
35.	802-687C	HHCS 5/8-11X4 SPTH GR8	S/N S1182+	
36.	136-175D	CHAIN RL #50 162 PITCHES		
37.	195-265D	SPNDL 2 X 24.70 W/ 1.5-12 THD	S/N S1505 - S/N S2189	
37.	195-351D	SPNDL 2 X 24.7 1.5-12THD NOHLE	S/N S2190+	
38.	804-182C	WASHER HARD 1 1/2 MILCARB GR8	S/N S1505+	
39.	803-239C	NUT HEX SLOTTED 1 1/2-12	S/N S1505+	
40.	805-148C	PIN COTTER 3/8 X 3 PLT	S/N S1505+	
41.	195-234D	WASHER FLAT 2 ID X 2 5/8 X 10G		
42.	808-413C	SPKT 50B19 2.88 KEYLESS BORE	S/N S2190+	
43.	891-137C	HUB KEYLESS 2.0 BORE X 2.88 OD	S/N S2190+	
44.	195-352D	WRENCH OPEN END 2 1/2	S/N S2190+	

Dual Gauge Wheel (S/N S3199-) (continued)

(Applies to 3S-3000 HD, 3S-3000 HDF only)

Ref	Part No.	Part Description	Comments	Revision
45.	195-355D	WRENCH SPANNER 6 BOLT HUB	S/N S2190+	
46.	196-274K	RH TIRE/RIM 265/70B16.5 SKID 6	(OPTION) Includes items: 47-48 S/N S3236-	
46.	196-275K	LH TIRE/RIM 265/70B16.5 SKID 6	(OPTION) Includes items: 47-48 S/N S3236-	
46.	196-542K	RH TIRE/RIM265/70B16.5SKID6BKS	S/N S3237+	
46.	196-543K	LH TIRE/RIM265/70B16.5SKID6 BK	S/N S3237+	
47.	814-207C	TIRE SKID ST 265/70B16.5 NHS	(OPTION)	
48.	814-209C	RIM 16.5X8.25, 6 BLT 4.63 PILT	(OPTION) S/N S3236-	
48.	814-554C	RIM16.5X8.25 6BLT 4.63PILT BKS	S/N S3237+	
49.	814-210C	VALVE STEM METAL TR-575 TUBLES	(OPTION)	
50.	805-249C	PIN ROLL 3/8 X 2 PLT		
51.	195-398H	DRIVE SPROCKET TORQUING NUT		

Dual Gauge Wheel (S/N S3199-) (continued)

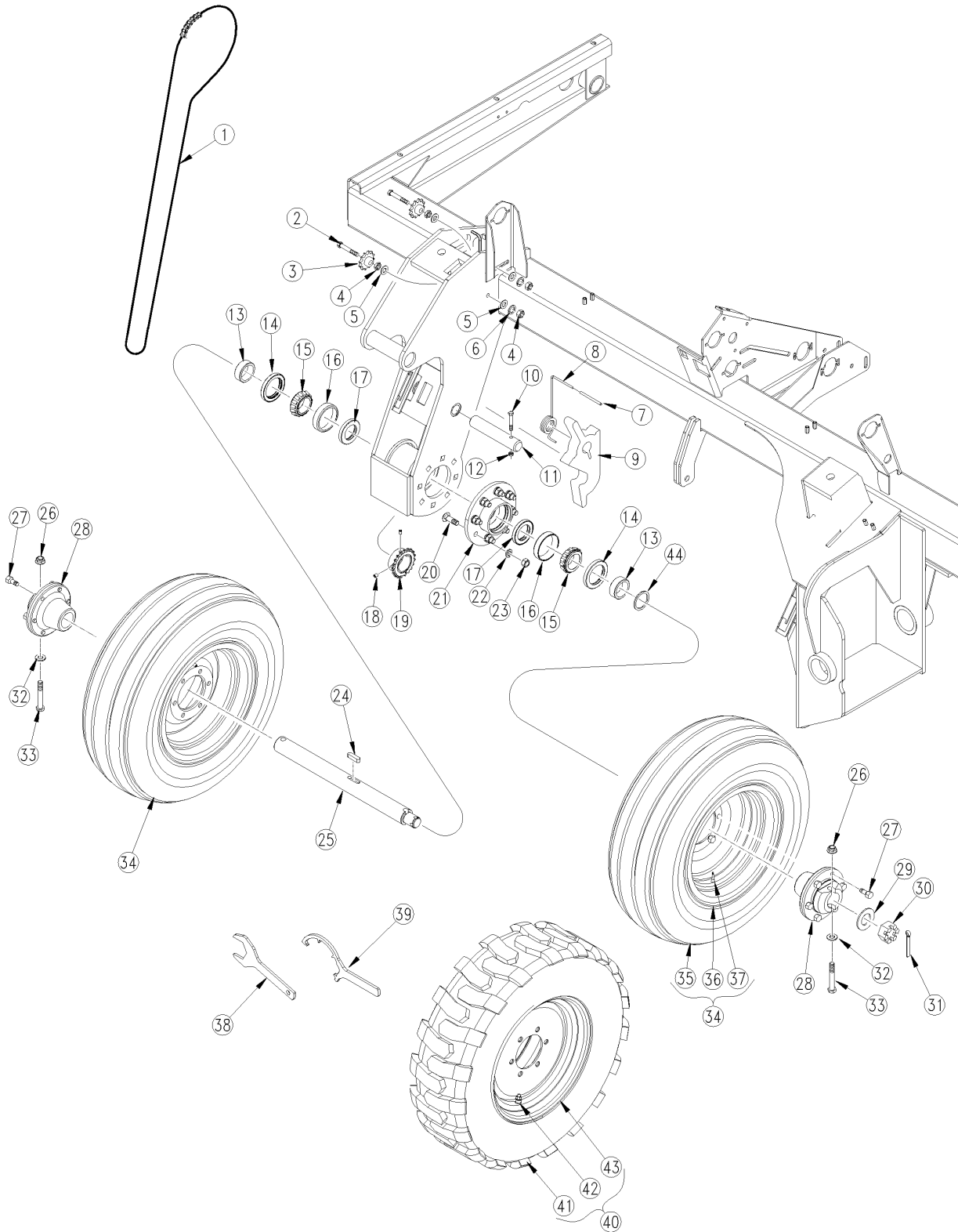
(Applies to 3S-3000 HD, 3S-3000 HDF only)

This Page Intentionally Left Blank

[Table of Contents](#) [Part Number Index](#)

Dual Gauge Wheel (S/N S3200+)

(Applies to 3S-3000 HD, 3S-3000 HDF only)



38990

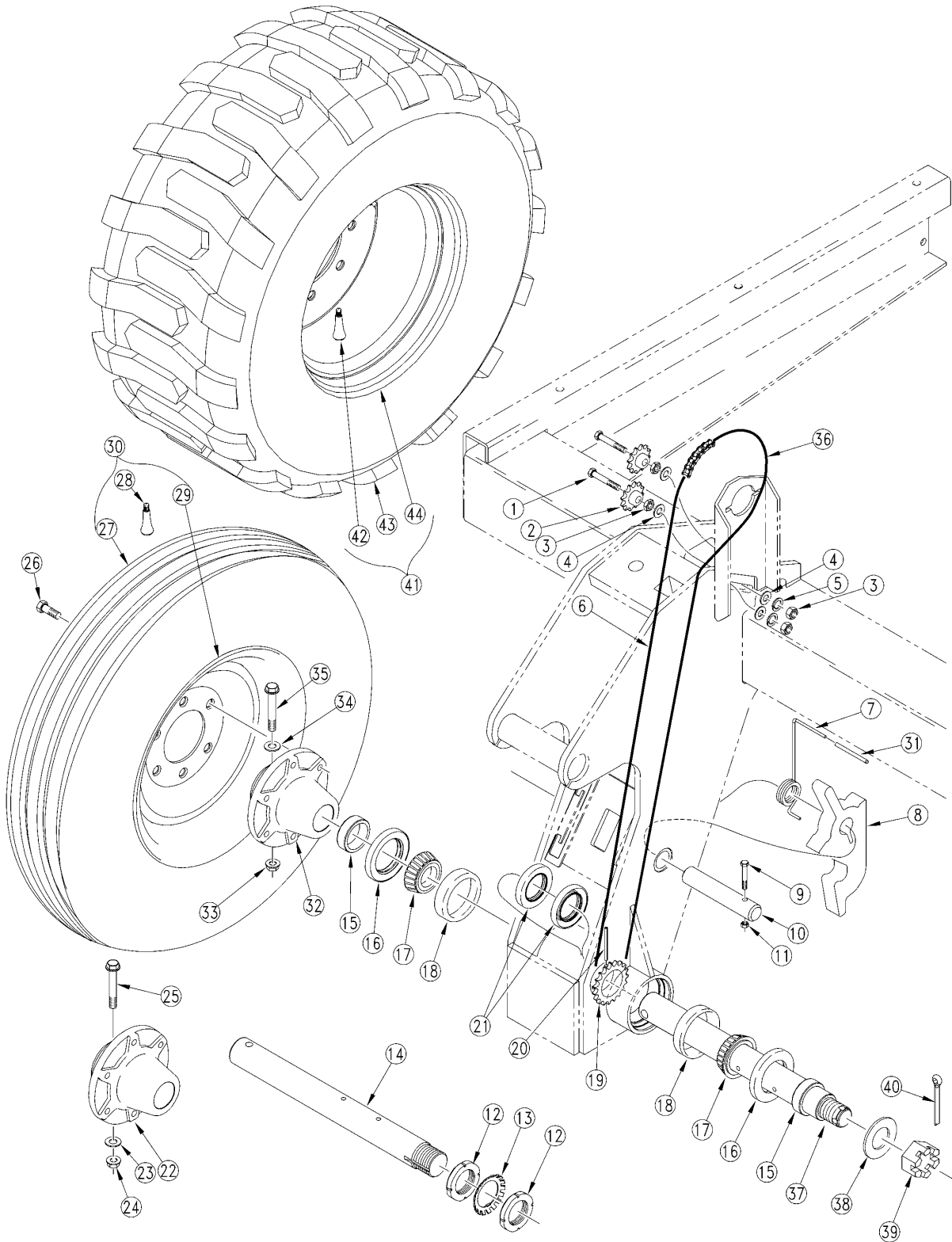
Dual Gauge Wheel (S/N S3200+)

(Applies to 3S-3000 HD, 3S-3000 HDF only)

Ref	Part No.	Part Description	Comments	Revision
	dwg38990	Image No.		
1.	136-175D	CHAIN RL #50 162 PITCHES		
2.	802-039C	HHCS 1/2-13X3 GR5		
3.	817-423C	NO. 50 12T IDLER SPKT		
4.	803-036C	NUT HEX JAM 1/2-13 PLT		
5.	804-113C	WASHER FLAT 1/2 USS HARD PLT		
6.	804-015C	WASHER LOCK SPRING 1/2 PLT		
7.	816-241C	RUBBER HANDLE GRIP.207IDX3 1/2		
8.	194-274D	3S TORSION SPRING HANDLE RH	Shown.	
8.	194-273D	3S TORSION SPRING HANDLE LH		
9.	195-159D	SUBFRAME LOCK HOOK		
10.	802-138C	HHCS 5/16-18X2 1/4 GR5		
11.	195-160D	GAUGE WHEEL LOCK PIN		
12.	803-011C	NUT LOCK 5/16-18 PLT		
13.	195-425D	AXLE SPACER TUBE		
14.	816-747C	SEAL DBLLIP 2.75 ID X 3.881 OD		
15.	822-276C	BEARING CONE 2.125" TIM33895		
16.	822-118C	BRG CUP 3.75OD TIM33821		
17.	816-748C	SEAL 3.375X2.125X.438 CR 21353		
18.	801-023C	SCREW SET SH 3/8-16X3/8 TYPE C		
19.	195-390H	SPKT 50A19 2.125 BORE KEYED		
20.	802-088C	RHSNB 5/8-11X2 GR5		
21.	195-391H	3S-5000 GAGE WHL BRNG END CAP		
22.	804-022C	WASHER LOCK SPRING 5/8 PLT		
23.	803-021C	NUT HEX 5/8-11 PLT		
24.	800-435C	KEY 1/2 SQ X 2 LONG RD ENDS		
25.	195-424D	GAUGE WHEEL DRIVE SPINDLE		
26.	803-263C	NUT HEX FLANGE LOCK 5/8-11 PLT		
27.	802-104C	BOLT WHEEL 1/2-20X1 90-DEG		
28.	152-597D	6 LUG DRIVE HUB 2.125 BORE		
29.	804-182C	WASHER HARD 1 1/2 MILCARB GR8		
30.	803-239C	NUT HEX SLOTTED 1 1/2-12 PLT		
31.	805-148C	PIN COTTER 3/8 X 3 PLT		
32.	804-095C	WASHER FLAT 5/8 HARD ASTM436		
33.	802-687C	HHCS 5/8-11X4 SPTHD GR8		
34.	161-046K	6 BOLT WHL&TIRE 8 PLY TUBELESS	(S/N S3236-) Includes items 35-37.	
34.	161-026K	6BLT WHL&TIRE 8PLY TUBLES BKSN	(S/N S3237+) Includes items 35-37.	
35.	814-011C	TIRE 9.5 L X 15 8 PLY		
36.	814-008C	WHEEL 8 X 15 X 6 BOLT	(S/N S3236-)	
36.	814-540C	WHEEL 15X8 6 BOLT BUCKSKIN	(S/N S3237+)	
37.	816-035C	VALVE STEM TR415X.625X1 1/4 LG		
38.	195-352D	WRENCH OPEN END 2 1/2		
39.	195-355D	WRENCH SPANNER 6 BOLT HUB		
40.	196-274K	RH TIRE/RIM 265/70B16.5 SKID 6	(S/N S3236-) Includes items 41-43.	
40.	196-275K	LH TIRE/RIM 265/70B16.5 SKID 6	(S/N S3236-) Includes items 41-43.	
40.	196-542K	RH TIRE/RIM265/70B16.5SKID6BKS	(S/N S3237+) Includes items 41-43.	
40.	196-543K	LH TIRE/RIM265/70B16.5SKID6 BK	(S/N S3237+) Includes items 41-43.	
41.	814-209C	RIM 16.5X8.25, 6 BLT 4.63 PILT	(S/N S3236-)	
41.	814-554C	RIM16.5X8.25 6BLT 4.63PILT BKS	(S/N S3237+)	
42.	814-201C	AC TIRE 27X7.75X15 MOUNTED		
43.	814-207C	TIRE SKID ST 265/70B16.5 NHS		
44.	195-426D	WASHER FLAT 2.13 ID X 2.63		

Single Gauge Wheel

(Applies to 3S-3000 HD, 3S-3000 HDF only)



15457

Single Gauge Wheel

(Applies to 3S-3000 HD, 3S-3000 HDF only)

Ref	Part No.	Part Description	Comments	Revision
	dwg15457	Image No.		
1.	802-039C	HHCS 1/2-13X3 GR5		
2.	817-423C	NO. 50 12T IDLER SPKT	S/N S1399+	
2.	817-025C	NO. 40 12T IDLER SPKT.	S/N S1398-	
3.	803-036C	NUT HEX JAM 1/2-13 PLT		
4.	804-113C	WASHER FLAT 1/2 USS HARD PLT		
5.	804-015C	WASHER LOCK SPRING 1/2 PLT		
6.	136-173D	CHAIN RL #50 161 PITCHES	S/N 1399+	
6.	809-172C	CHAIN RL #40 X 190 PITCH W/CON	S/N S1398-	
7.	194-274D	3S TORSION SPRING HANDLE RH	Shown.	
7.	194-273D	3S TORSION SPRING HANDLE LH		
8.	195-159D	SUBFRAME LOCK HOOK		
9.	802-138C	HHCS 5/16-18X2 1/4 GR5		
10.	195-160D	GAUGE WHEEL LOCK PIN		
11.	803-011C	NUT LOCK 5/16-18 PLT		
12.	803-208C	NUT BEARING LOCK, TN-10		
13.	804-098C	WASHER BEARING LOCK, TW110		
14.	195-230D	SPNDLE 2"W/5/8 CROSS HOLE SNGL	S/N S1182+	
14.	195-143D	SPNDLE 2 X 19 W/ 1.95-18 THD	S/N 1181-	
15.	120-198D	AXLE SPACER TUBE		
16.	816-138C	SEAL DBL LIP 2.5 ID X 3.881 OD		
17.	822-117C	BEARING CONE 2 TIM33889		
18.	822-118C	BEARING CUP 2 TIM33821		
19.	808-287C	SPKT 50B19C2B W/5/16 HOLE	S/N S1399+	
19.	808-097C	SPKT 40B19X2B W/5/16 HOLE	S/N S1398-	
20.	805-030C	PIN ROLL 5/16 X 3 PLT	S/N S1399+	
21.	816-012C	SEAL 3.375 X 2.0 X.438 CR20125		
22.	195-107D	HUB;HVY 6 BLT 2 BR 4.62 PILOT	S/N S1181-	
23.	804-016C	WASHER FLAT 1/2 SAE PLT	S/N S1181-	
24.	803-169C	NUT HEX FLG. LOCK 1/2-13 PLT.	S/N S1181-	
25.	194-297D	HHCS 1/2-13 X 4 3/16 GR8 SP	S/N S1181-	
25.	802-548C	HFS 1/2-13X4 GR8 SPTH	S/N S1181-	
26.	802-104C	BOLT WHEEL 1/2-20X1 90-DEG		
27.	814-026C	TIRE 9.5L X 15 6 PLY RIB IMP		
28.	816-035C	VALVE STEM TR415X.625X1 1/4 LG		
29.	814-008C	WHEEL 8 X 15 X 6 BOLT	S/N S3236-	
29.	814-540C	WHEEL 15X8 6 BOLT BUCKSKIN	S/N S3237+	
30.	161-046K	6 BOLT WHL&TIRE 6 PLY TUBELES	Includes items 27, 28, & 29 S/N S3236-	
30.	161-026K	6BLT WHL&TIRE 8PLY TUBLES BKS	S/N S3237+	
31.	816-241C	RUBBER HANDLE GRIP.207IDX3 1/2		
32.	152-390D	6-BOLT HEAVY DRIVE HUB 2 BORE	S/N S1182+	
33.	803-263C	NUT HEX FLANGE LOCK 5/8-11 PLT	S/N S1182+	
34.	804-095C	WASHER FLAT 5/8 HARD ASTM F436	S/N S1182+	
35.	802-687C	HHCS 5/8-11X4 SPTH GR8	S/N S1182+	
36.	136-175D	CHAIN RL #50 162 PITCHES		
37.	195-266D	SPNDL 2 X 19.20 W/ 1.5-12 THD	S/N S1505+	
38.	804-182C	WASHER HARD 1 1/2 MILCARB GR8	S/N S1505+	
39.	803-239C	NUT HEX SLOTTED 1 1/2-12	S/N S1505+	
40.	805-148C	PIN COTTER 3/8 X 3 PLT	S/N S1505+	
41.	196-274K	RH TIRE/RIM 265/70B 16.5 SKID 6	Includes items 42 through 44. S/N S3236-	
41.	196-275K	LH TIRE/RIM 265/70B 16.5 SKID 6	Includes items 42 through 44. S/N S3236-	
41.	196-542K	RH TIRE/RIM265/70B16.5SKID6BKS	S/N S3237+	
41.	196-543K	LH TIRE/RIM265/70B16.5SKID6 BK	S/N S3237+	
42.	814-210C	VALVE STEM METAL TR-575 TUBLES		
43.	814-207C	TIRE SKID ST 265/70B 16.5 NHS		

Single Gauge Wheel (continued)

(Applies to 3S-3000 HD, 3S-3000 HDF only)

Ref	Part No.	Part Description	Comments	Revision
44.	814-209C	RIM 16.5X8.25, 6 BLT 4.63 PILT	S/N S3236-	
44.	814-554C	RIM16.5X8.25 6BLT 4.63PILT BKS	S/N S3237+	

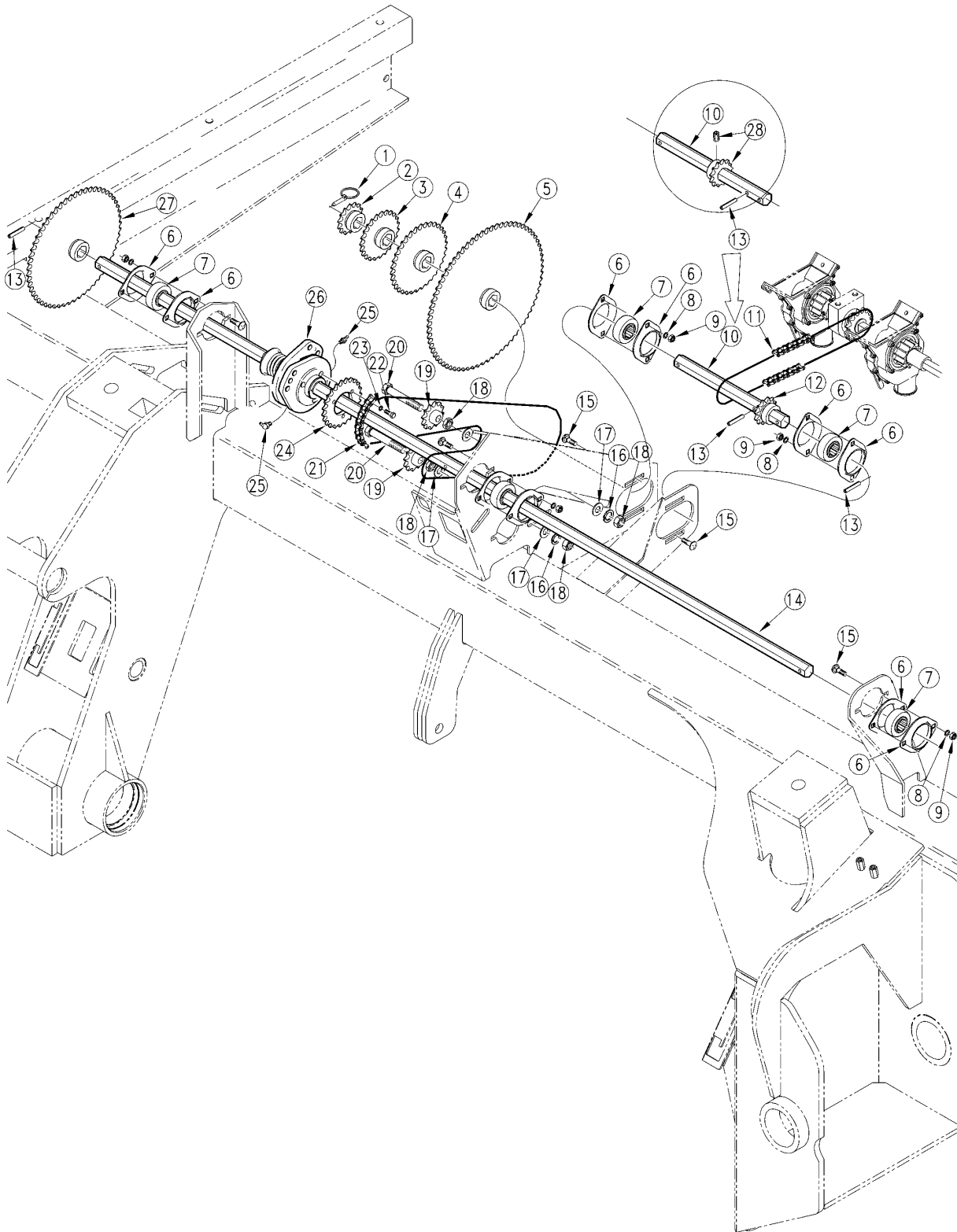
Single Gauge Wheel (continued)

(Applies to 3S-3000 HD, 3S-3000 HDF only)

This Page Intentionally Left Blank

Right Hand Drive (S/N S1021-)

(Applies to 3S-3000 HD, 3S-3000 HDF only)



15459

Right Hand Drive (S/N S1021-)

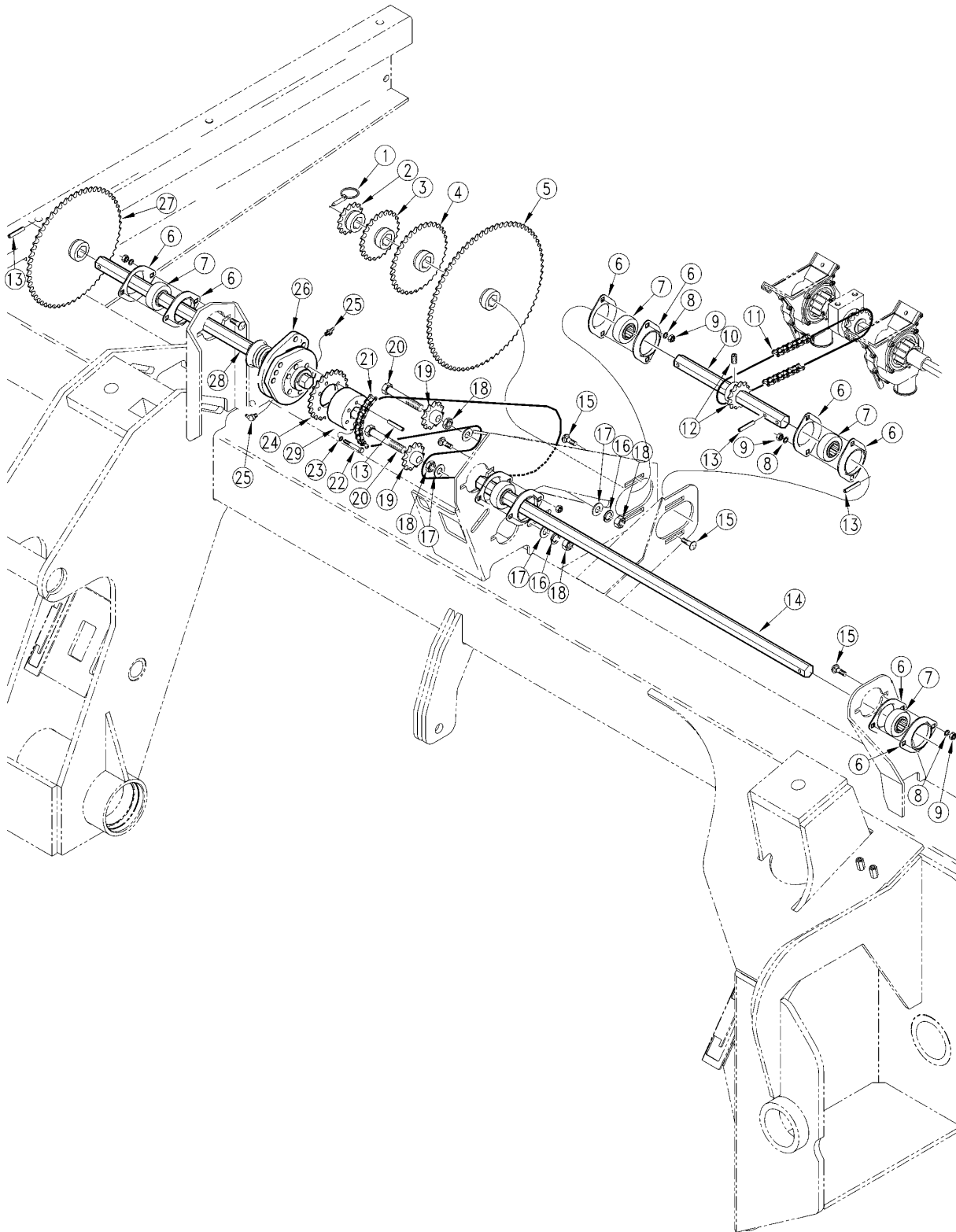
(Applies to 3S-3000 HD, 3S-3000 HDF only)

Ref	Part No.	Part Description	Comments	Revision
	dwg15459	Image No.		
1.	805-240C	PIN LINCH 3/16 X 1 9/16 LONG		
2.	195-137H	RPBY 808-259C		
3.	195-134H	SPKT 40B23T WITH 7/8 HEX HUB		
4.	195-135H	SPKT 40B34T WITH 7/8 HEX HUB		
5.	195-136H	RPBY 808-258C		
6.	822-032C	FLANGETTE 52 MST		
7.	822-119C	BRG 7/8HEXX2.05OD SPH		
8.	804-009C	WASHER LOCK SPRING 5/16 PLT		
9.	803-008C	NUT HEX 5/16-18 PLT		
10.	195-169D	SEED JACK SHAFT 7/8 HEX WING	Revised part. order w/#28, 808-143C 1st time only (see detail in illustration)	
11.	809-149C	CHAIN RL #40 X 68 PITCH W/CON		
12.	195-138H	RPBY 808-260C	Order only if using original shaft	
13.	805-180C	PIN ROLL 1/4 X 1 1/2 LG PLT		
14.	195-149D	POWER SHAFT 7/8 HEX RH		
15.	802-282C	RHSNB 5/16-18X1 GR5		
16.	804-015C	WASHER LOCK SPRING 1/2 PLT		
17.	804-113C	WASHER FLAT 1/2 USS HARD PLT		
18.	803-036C	NUT HEX JAM 1/2-13 PLT		
19.	817-025C	NO. 40 12T IDLER SPKT.		
20.	802-099C	HHCS 1/2-13X3 1/4 GR5		
21.	809-164C	RPBY 136-122D		
22.	801-070C	HSHCS 1/4-20X3/4		
23.	804-006C	WASHER LOCK SPRING 1/4 PLT		
24.	152-283D	RPBY 808-240C		
25.	800-058C	GREASE ZERK 1/4-28 X 45-DEG		
26.	176-044S	JAW CLUTCH CW 7/8 HEX SHORT	Refer to "Jaw Clutch" for breakdown.	
27.	195-264H	SPKT 50A57 WITH 7/8 HEX HUB	S/N S1399+	
27.	195-139H	SPKT 40B57T WITH 7/8 HEX HUB	S/N S1398-	
28.	808-143C	SPKT 40B12 7/8 HEX BORE W/SS	Order only if using revised shaft (orient as shown in detail)	

Table of Contents [Part Number Index](#)

Right Hand Drive (S/N S1022 - S/N S1562)

(Applies to 3S-3000 HD, 3S-3000 HDF only)



16066

Right Hand Drive (S/N S1022 - S/N S1562)

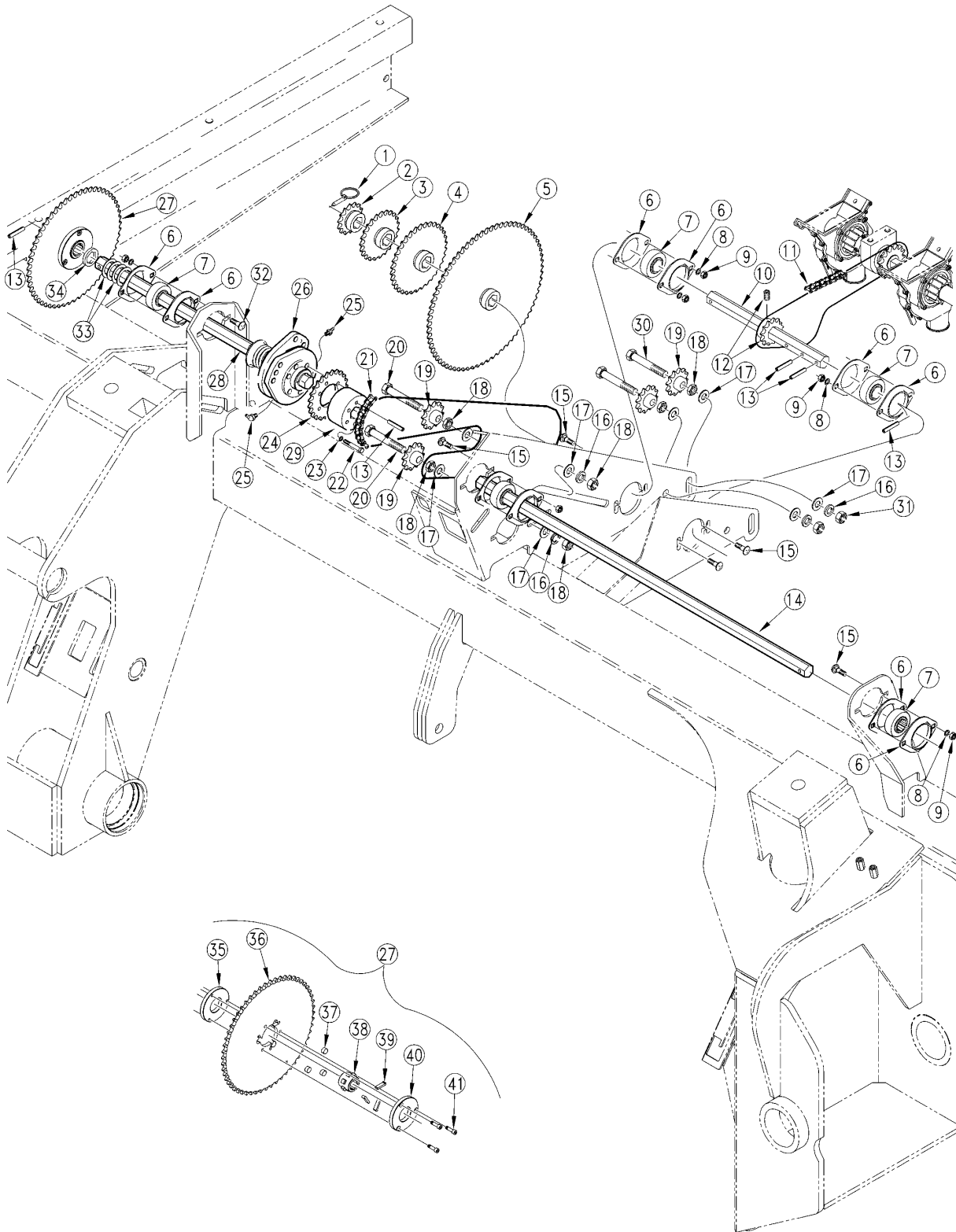
(Applies to 3S-3000 HD, 3S-3000 HDF only)

Ref	Part No.	Part Description	Comments	Revision
	dwg16066	Image No.		
1.	805-240C	PIN LINCH 3/16 X 1 9/16 LONG		
2.	195-137H	RPBY 808-259C		
3.	195-134H	SPKT 40B23T WITH 7/8 HEX HUB		
4.	195-135H	SPKT 40B34T WITH 7/8 HEX HUB		
5.	195-136H	RPBY 808-258C		
6.	822-032C	FLANGETTE 52 MST		
7.	822-119C	BRG 7/8HEXX2.05OD SPH		
8.	804-009C	WASHER LOCK SPRING 5/16 PLT		
9.	803-008C	NUT HEX 5/16-18 PLT		
10.	195-169D	SEED JACK SHAFT 7/8 HEX WING		
11.	809-149C	CHAIN RL #40 X 68 PITCH W/CON		
12.	808-143C	SPKT 40B12 7/8 HEX BORE W/SS		
13.	805-180C	PIN ROLL 1/4 X 1 1/2 LG PLT		
14.	195-187D	POWER SHAFT 7/8 HEX RH OUTPUT		
15.	802-282C	RHSNB 5/16-18X1 GR5		
16.	804-015C	WASHER LOCK SPRING 1/2 PLT		
17.	804-113C	WASHER FLAT 1/2 USS HARD PLT		
18.	803-036C	NUT HEX JAM 1/2-13 PLT		
19.	817-025C	NO. 40 12T IDLER SPKT.		
20.	802-099C	HHCS 1/2-13X3 1/4 GR5		
21.	136-122D	CHAIN RL #40 129 PITCHES		2nd rev.
21.	809-164C	RPBY 136-122D		Use existing stock; 1st rev.
22.	802-551C	HHCS 1/4-20X2 1/4 GR5		
23.	804-006C	WASHER LOCK SPRING 1/4 PLT		
24.	808-240C	SPKT 40A23X1.813-1.818 BR/6HOL		2nd rev.
24.	152-283D	RPBY 808-240C		Use existing stock; 1st rev.
25.	800-058C	GREASE ZERK 1/4-28 X 45-DEG		
26.	176-042S	JAW CLUTCH CW EXT 7/8 HEX	Refer to "Jaw Clutch" for breakdown.	
27.	195-264H	SPKT 50A57 WITH 7/8 HEX HUB		
27.	195-139H	SPKT 40B57T WITH 7/8 HEX HUB		
28.	195-186D	POWER SHAFT 7/8 HEX RH INPUT		
29.	195-170D	CLUTCH ADAPTOR 7/8 HEX BORE		

[Table of Contents](#) [Part Number Index](#)

Right Hand Drive (S/N S1563+)

(Applies to 3S-3000 HD, 3S-3000 HDF only)



21631

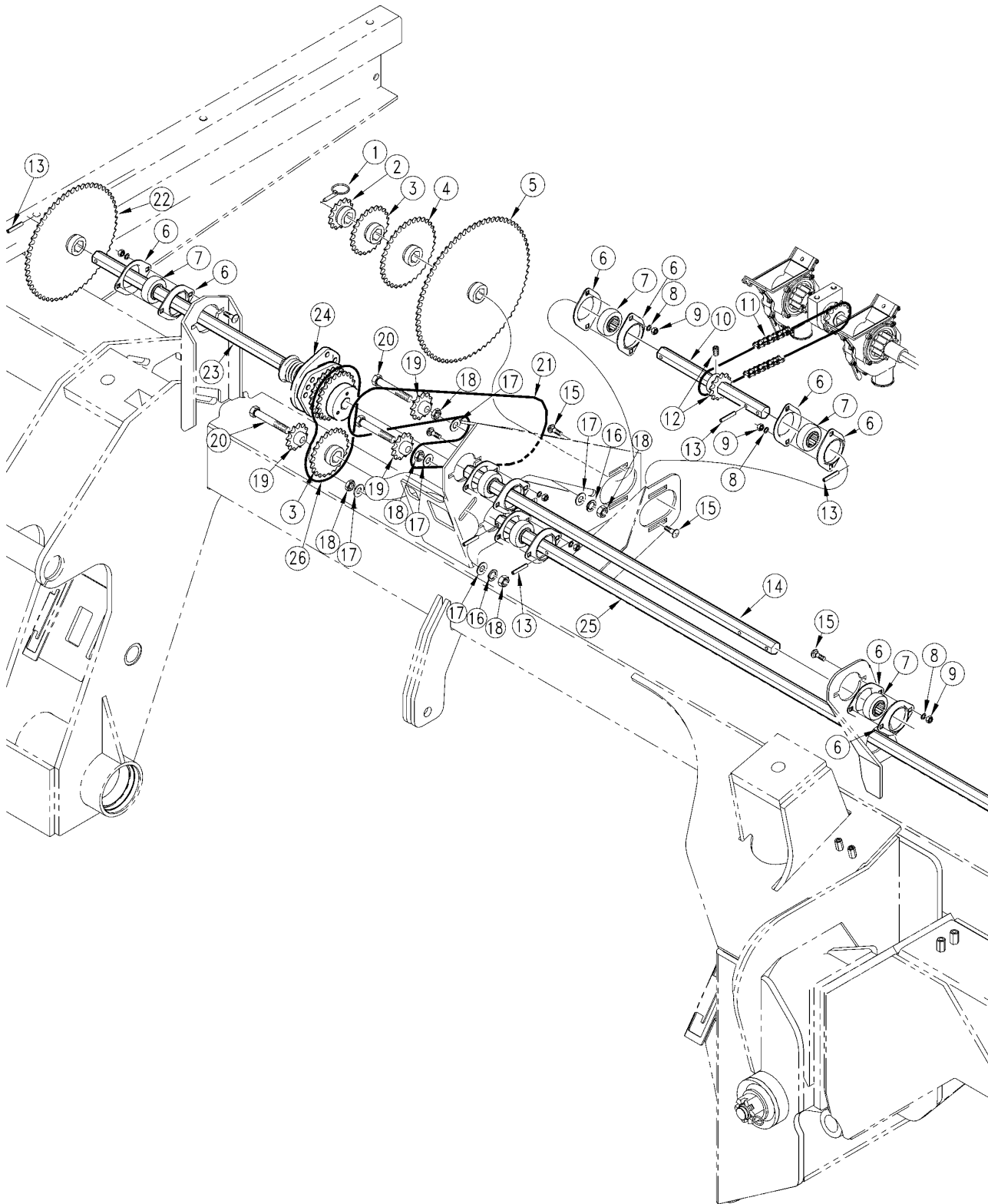
Right Hand Drive (S/N S1563+)

(Applies to 3S-3000 HD, 3S-3000 HDF only)

Ref	Part No.	Part Description	Comments	Revision
	dwg21631	Image No.		
1.	805-240C	PIN LYNCH 3/16 X 1 9/16 LONG		
2.	808-259C	SPKT 40B14 X 7/8 HEX BORE		
3.	808-256C	SPKT 40C23 X 7/8 HEX BORE		
4.	808-257C	SPKT 40B34 X 7/8 HEX BORE		
5.	808-258C	SPKT 40B72 X 7/8 HEX BORE		
6.	822-032C	FLANGETTE 52 MST		
7.	822-119C	BRG.7/8HEX BR 52MM SPHRICAL OD		
8.	804-009C	WASHER LOCK SPRING 5/16 PLT		
9.	803-008C	NUT HEX 5/16-18 PLT		
10.	195-169D	SEED JACK SHAFT 7/8 HEX WING		
11.	136-052D	CHAIN RL #40 69 PITCHES	(S/N S1402+)	
11.	809-149C	CHAIN RL #40 X 68 P	(S/N S1401-)	
12.	808-143C	SPKT 40B12 7/8 HEX BORE W/SS		
13.	805-180C	PIN ROLL 1/4 X 1 1/2 LG PLT		
14.	195-187D	POWER SHAFT 7/8 HEX RH OUTPUT		
15.	802-282C	RHSNB 5/16-18X1 GR5		
16.	804-015C	WASHER LOCK SPRING 1/2 PLT		
17.	804-113C	WASHER FLAT 1/2 USS HARD PLT		
18.	803-036C	NUT HEX JAM 1/2-13 PLT		
19.	817-025C	NO. 40 12T IDLER SPKT.		
20.	802-041C	HHCS 1/2-13X3 1/2 GR5		
21.	136-122D	CHAIN RL #40 129 PITCHES		
22.	802-551C	HHCS 1/4-20X2 1/4 GR5		
23.	804-006C	WASHER LOCK SPRING 1/4 PLT		
24.	808-240C	SPKT 40A23X1.813-1.818 BR/6HOL		
25.	800-058C	GREASE ZERK 1/4-28 X 45-DEG		
26.	176-042S	JAW CLUTCH CW EXT 7/8 HEX	Refer to Jaw Clutch for breakdown	
27.	195-264H	SPKT 50A57 WITH 7/8 HEX HUB	(S/N S2717-)	
27.	195-320S	SPKT 50C57 RATCHET DRIVE	(S/N S2718+) Includes items: 35-41	
28.	195-186D	POWER SHAFT 7/8 HEX RH INPUT	(S/N S2717-)	
28.	195-381D	POWER SHAFT 7/8 HEX LH	(S/N S2718+)	
29.	195-170D	CLUTCH ADAPTOR 7/8 HEX BORE		
30.	802-413C	HHCS 1/2-13X4 1/2 GR5		
31.	803-169C	NUT HEX FLG. LOCK 1/2-13 PLT.		
32.	802-092C	RHSNB 5/16-18X3/4 GR5	(S/N S2718+)	
33.	804-061C	WASHER MACH 1.50 X 1.00 X 18GA	(S/N S2718+)	
34.	195-376D	7/8 HEX WASHER X .21	(S/N S2718+)	
35.	402-050D	CLUTCH, SIDE PLATE TAPPED		
36.	808-449C	SPKT 50A57 SPECIAL BORE		
37.	402-376D	POLYURETHANE ROD SPRING 5/16 L		
38.	890-954C	HUB RATCHET SPKT #50		
39.	403-751D	KEY RATCHET CLUTCH #50 SPKT		
40.	402-051D	CLUTCH, SIDE PLATE C/BORED		
41.	802-418C	SHCS 1/4-20X7/8		

Right Hand Fertilizer (S/N S1562-)

(Applies to 3S-3000 HD, 3S-3000 HDF only)



16421

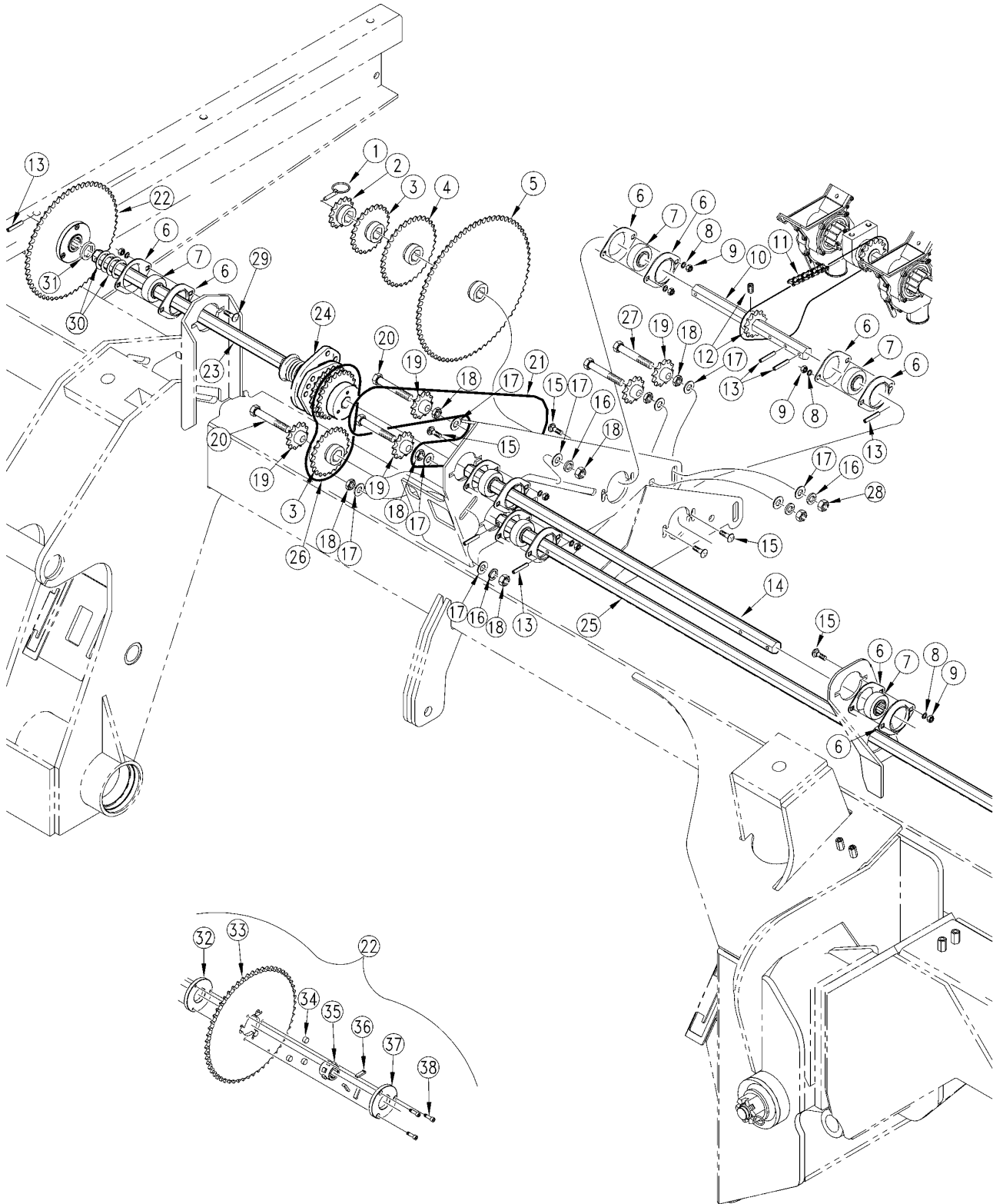
Right Hand Fertilizer (S/N S1562-)

(Applies to 3S-3000 HD, 3S-3000 HDF only)

Ref	Part No.	Part Description	Comments	Revision
	dwg16421	Image No.		
1.	805-240C	PIN LINCH 3/16 X 1 9/16 LONG		
2.	195-137H	RPBY 808-259C		
3.	195-134H	SPKT 40B23T WITH 7/8 HEX HUB		
4.	195-135H	SPKT 40B34T WITH 7/8 HEX HUB		
5.	195-136H	RPBY 808-258C		
6.	822-032C	FLANGETTE 52 MST		
7.	822-119C	BRG 7/8HEXX2.05OD SPH		
8.	804-009C	WASHER LOCK SPRING 5/16 PLT		
9.	803-008C	NUT HEX 5/16-18 PLT		
10.	195-169D	SEED JACK SHAFT 7/8 HEX WING		
11.	809-149C	CHAIN RL #40 X 68 PITCH W/CON		
12.	808-143C	SPKT 40B12 7/8 HEX BORE W/SS		
13.	805-180C	PIN ROLL 1/4 X 1 1/2 LG PLT		
14.	195-187D	POWER SHAFT 7/8 HEX RH OUTPUT		
15.	802-282C	RHSNB 5/16-18X1 GR5		
16.	804-015C	WASHER LOCK SPRING 1/2 PLT		
17.	804-113C	WASHER FLAT 1/2 USS HARD PLT		
18.	803-036C	NUT HEX JAM 1/2-13 PLT		
19.	817-025C	NO. 40 12T IDLER SPKT.		
20.	802-099C	HHCS 1/2-13X3 1/4 GR5		
21.	809-164C	RPBY 136-122D		
22.	195-264H	SPKT 50A57 WITH 7/8 HEX HUB	S/N S1399+	
22.	195-139H	SPKT 40B57T WITH 7/8 HEX HUB		
23.	195-186D	POWER SHAFT 7/8 HEX RH INPUT		
24.	195-186K	3S-3000F RH WING CLUTCH ASSY	Refer to "Right Hand Wing Clutch Fertilizer (195-186K)" for breakdown.	
25.	195-211D	HEX SHAFT 7/8, AUXILIARY POWER		
26.	809-071C	RPBY 136-064D		

Right Hand Fertilizer (S/N S1563+)

(Applies to 3S-3000 HD, 3S-3000 HDF only)



21632

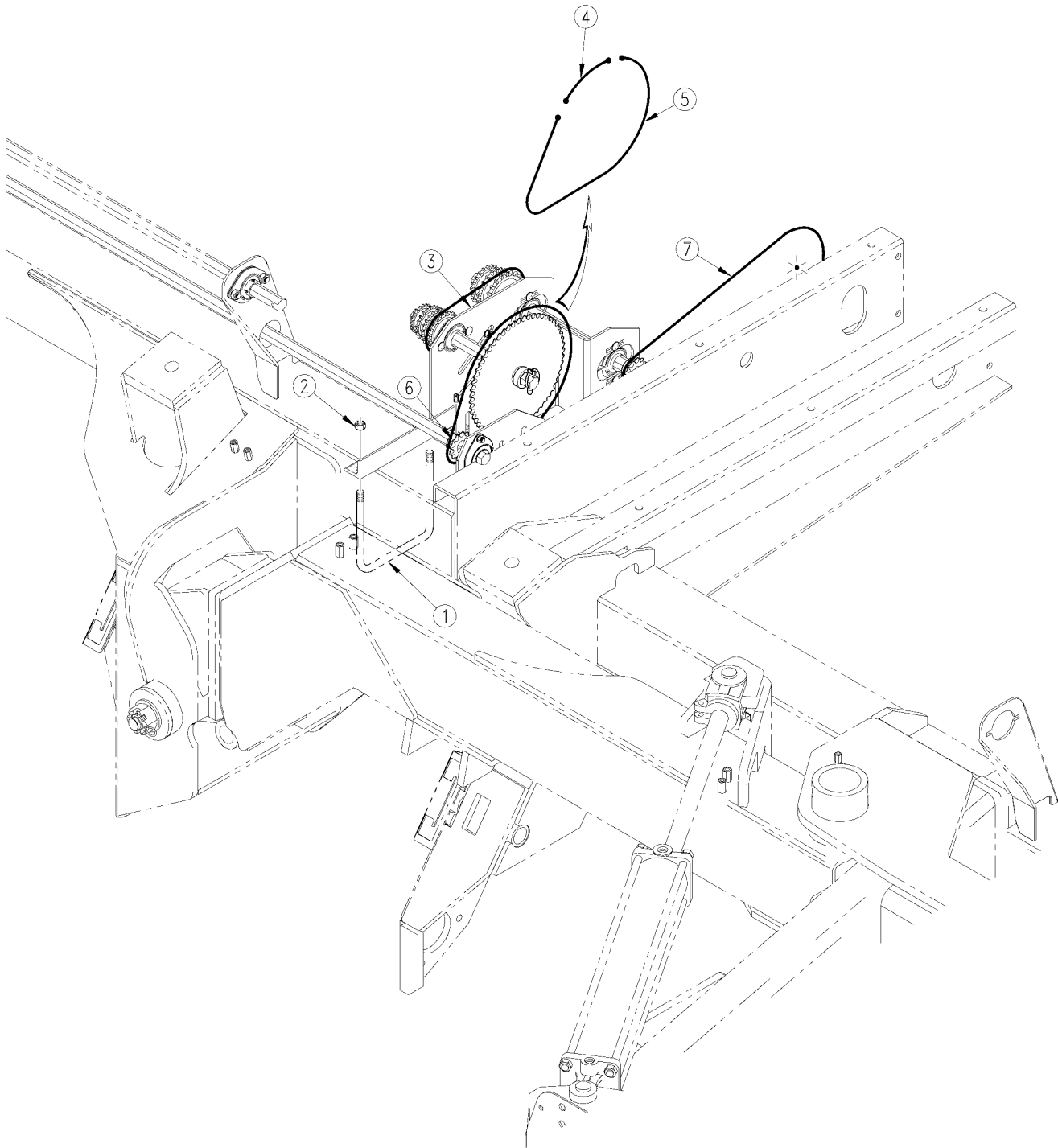
Right Hand Fertilizer (S/N S1563+)

(Applies to 3S-3000 HD, 3S-3000 HDF only)

Ref	Part No.	Part Description	Comments	Revision
	dwg21632	Image No.		
1.	805-240C	PIN LINCH 3/16 X 1 9/16 LONG		
2.	808-259C	SPKT 40B14 X 7/8 HEX BORE		
3.	808-256C	SPKT 40C23 X 7/8 HEX BORE		
4.	808-257C	SPKT 40B34 X 7/8 HEX BORE		
5.	808-258C	SPKT 40B72 X 7/8 HEX BORE		
6.	822-032C	FLANGETTE 52 MST		
7.	822-119C	BRG.7/8HEX BR 52MM SPHRICAL OD		
8.	804-009C	WASHER LOCK SPRING 5/16 PLT		
9.	803-008C	NUT HEX 5/16-18 PLT		
10.	195-196D	SEED/FERTILIZER SELECT FLAP		
11.	136-052D	CHAIN RL #40 69 PITCHES	(S/N S1402+)	
11.	809-149C	CHAIN RL #40 X 68 P	(S/N S1401-)	
12.	808-143C	SPKT 40B12 7/8 HEX BORE W/SS		
13.	805-180C	PIN ROLL 1/4 X 1 1/2 LG PLT		
14.	195-187D	POWER SHAFT 7/8 HEX RH OUTPUT		
15.	802-282C	RHSNB 5/16-18X1 GR5		
16.	804-015C	WASHER LOCK SPRING 1/2 PLT		
17.	804-113C	WASHER FLAT 1/2 USS HARD PLT		
18.	803-036C	NUT HEX JAM 1/2-13 PLT		
19.	817-025C	NO. 40 12T IDLER SPKT.		
20.	802-041C	HHCS 1/2-13X3 1/2 GR5		
21.	136-122D	CHAIN RL #40 129 PITCHES		
22.	195-264H	SPKT 50A57 WITH 7/8 HEX HUB	(S/N S2717-)	
22.	195-320S	SPKT 50C57 RATCHET DRIVE	(S/N S2718+) Includes items 32-38	
23.	195-186D	POWER SHAFT 7/8 HEX RH INPUT	(S/N S2717-)	
23.	195-381D	POWER SHAFT 7/8 HEX LH	(S/N S2718+)	
24.	195-186K	3S-3000F RH WING CLUTCH ASSY	Refer to Right Hand Wing Clutch Fertilizer (195-186K) for breakdown	
25.	195-211D	HEX SHAFT 7/8, AUXILIARY POWER		
26.	136-064D	CHAIN RL #40 51 PITCHES		
27.	802-413C	HHCS 1/2-13X4 1/2 GR5		
28.	803-169C	NUT HEX FLG. LOCK 1/2-13 PLT.		
29.	802-092C	RHSNB 5/16-18X3/4 GR5	(S/N S2718+)	
30.	804-061C	WASHER MACH 1.50 X 1.00 X 18GA	(S/N S2718+)	
31.	195-376D	7/8 HEX WASHER X .21	(S/N S2718+)	
32.	402-050D	CLUTCH, SIDE PLATE TAPPED		
33.	808-449C	SPKT 50A57 SPECIAL BORE		
34.	402-376D	POLYURETHANE ROD SPRING 5/16 L		
35.	890-954C	HUB RATCHET SPKT #50		
36.	403-751D	KEY RATCHET CLUTCH #50 SPKT		
37.	402-051D	CLUTCH, SIDE PLATE C/BORED		
38.	802-418C	SHCS 1/4-20X7/8		

Right Hand Drive Fertilizer (Continued)

(Applies to 3S-3000 HD, 3S-3000 HDF only)



16426

Right Hand Drive Fertilizer (Continued)

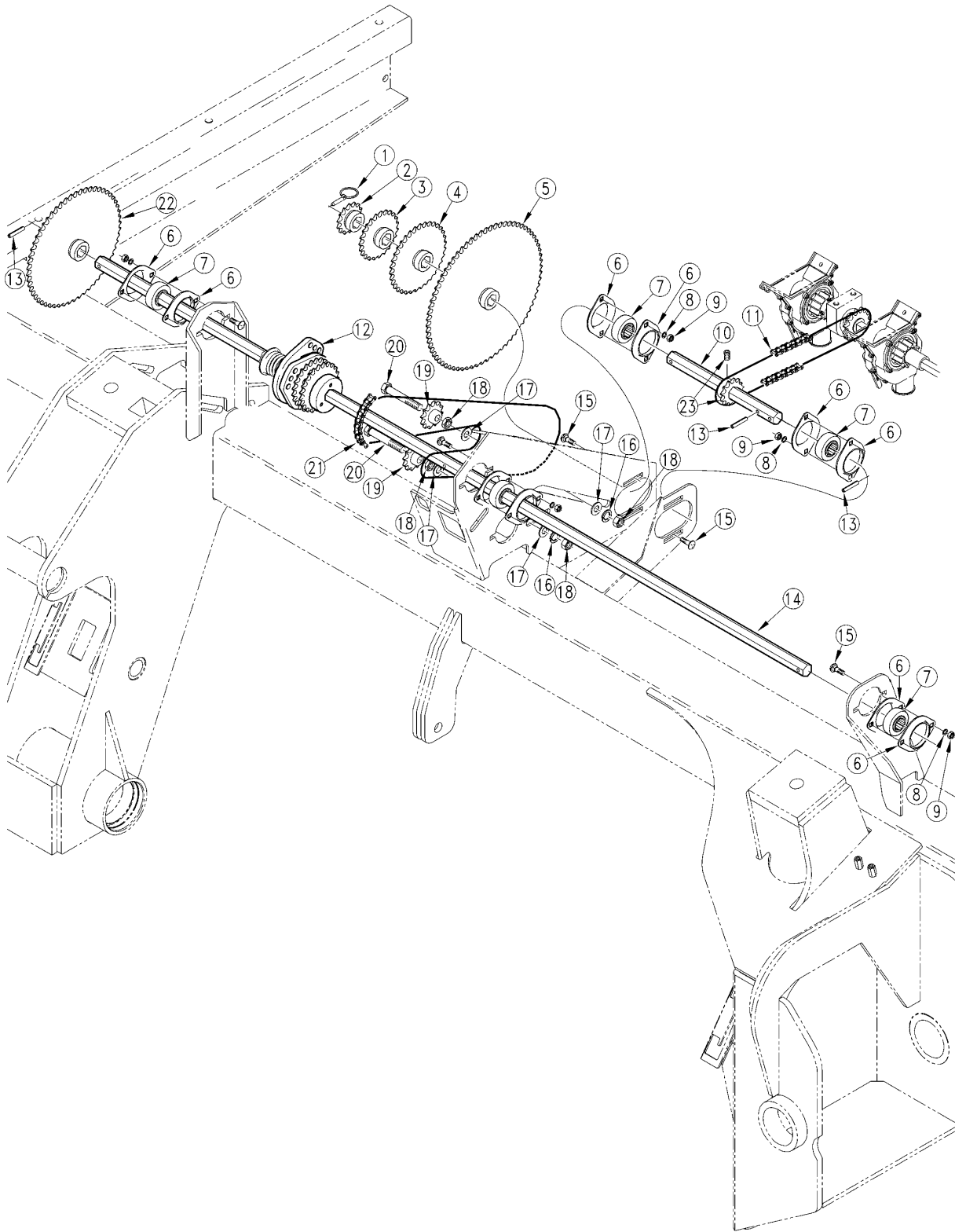
(Applies to 3S-3000 HD, 3S-3000 HDF only)

Ref	Part No.	Part Description	Comments	Revision
	dwg16426	Image No.		
1.	806-060C	U-BOLT 1/2-13 X 6 1/32 X 7 1/4		
2.	803-019C	NUT LOCK 1/2-13 PLT		
3.	195-184S	FERTILIZER DRIVE SUBASSY LH	Refer to "Fertilizer Drive Subassy (195-184S)" for breakdown.	
4.	809-146C	CHAIN RL #40 X 16 PITCHES	(S/N S1401-) Used with 136-118D.	
5.	136-151D	CHAIN RL #40 59 PITCHES		3rd Revision.
5.	136-118D	CHAIN RL #40 43 PITCHES		2nd Revision.
5.	809-160C	RPBY 136-118D		1st Revision.
6.	808-143C	SPKT 40B12 7/8 HEX BORE W/SS		
7.	136-207D	CHAIN RL #40 109 PITCHES W/CON		3rd Revision.
7.	136-044D	CHAIN RL #40 109 PITCHES		2nd Revision.
7.	809-045C	RPBY 136-044D		1st Revision.

[Table of Contents](#) [Part Number Index](#)

Right Hand Drive Point Row (Option) (S/N S1562-)

(Applies to 3S-3000 HD, 3S-3000 HDF only)



17023

Right Hand Drive Point Row (Option) (S/N S1562-)

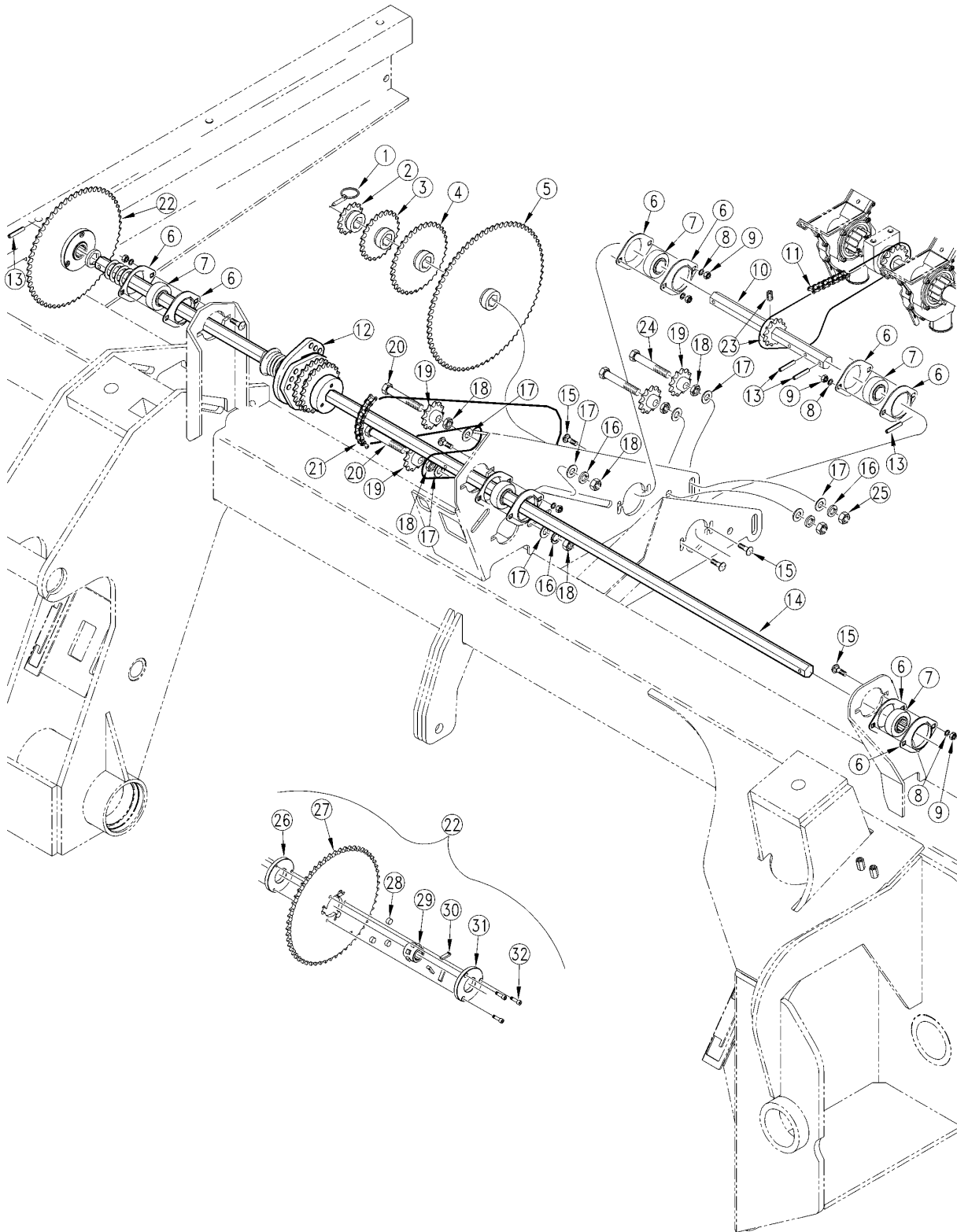
(Applies to 3S-3000 HD, 3S-3000 HDF only)

Ref	Part No.	Part Description	Comments	Revision
	dwg17023	Image No.		
1.	805-240C	PIN LINCH 3/16 X 1 9/16 LONG		
2.	195-137H	RPBY 808-259C		
3.	195-134H	SPKT 40B23T WITH 7/8 HEX HUB		
4.	195-135H	SPKT 40B34T WITH 7/8 HEX HUB		
5.	195-136H	RPBY 808-258C		
6.	822-032C	FLANGETTE 52 MST		
7.	822-119C	BRG 7/8HEXX2.05OD SPH		
8.	804-009C	WASHER LOCK SPRING 5/16 PLT		
9.	803-008C	NUT HEX 5/16-18 PLT		
10.	195-169D	SEED JACK SHAFT 7/8 HEX WING		
11.	809-149C	CHAIN RL #40 X 68 PITCH W/CON		
12.	195-187K	3S-3000F LH WING CLUTCH ASSY	Refer to "Left Hand Wing Clutch Fertilizer (195-187K)" for breakdown	
13.	805-180C	PIN ROLL 1/4 X 1 1/2 LG PLT		
14.	195-232D	SHAFT 7/8 HEX, POINT ROW-RH		
15.	802-282C	RHSNB 5/16-18X1 GR5		
16.	804-015C	WASHER LOCK SPRING 1/2 PLT		
17.	804-113C	WASHER FLAT 1/2 USS HARD PLT		
18.	803-036C	NUT HEX JAM 1/2-13 PLT		
19.	817-025C	NO. 40 12T IDLER SPKT.		
20.	802-099C	HHCS 1/2-13X3 1/4 GR5		
21.	136-122D	CHAIN RL #40 129 PITCHES		
22.	195-264H	SPKT 50A57 WITH 7/8 HEX HUB	S/N S1399+	
22.	195-139H	SPKT 40B57T WITH 7/8 HEX HUB	S/N S1398-	
23.	808-143C	SPKT 40B12 7/8 HEX BORE W/SS		

[Table of Contents](#) [Part Number Index](#)

Right Hand Drive Point Row (Option) (S/N S1563+)

(Applies to 3S-3000 HD, 3S-3000 HDF only)



21633

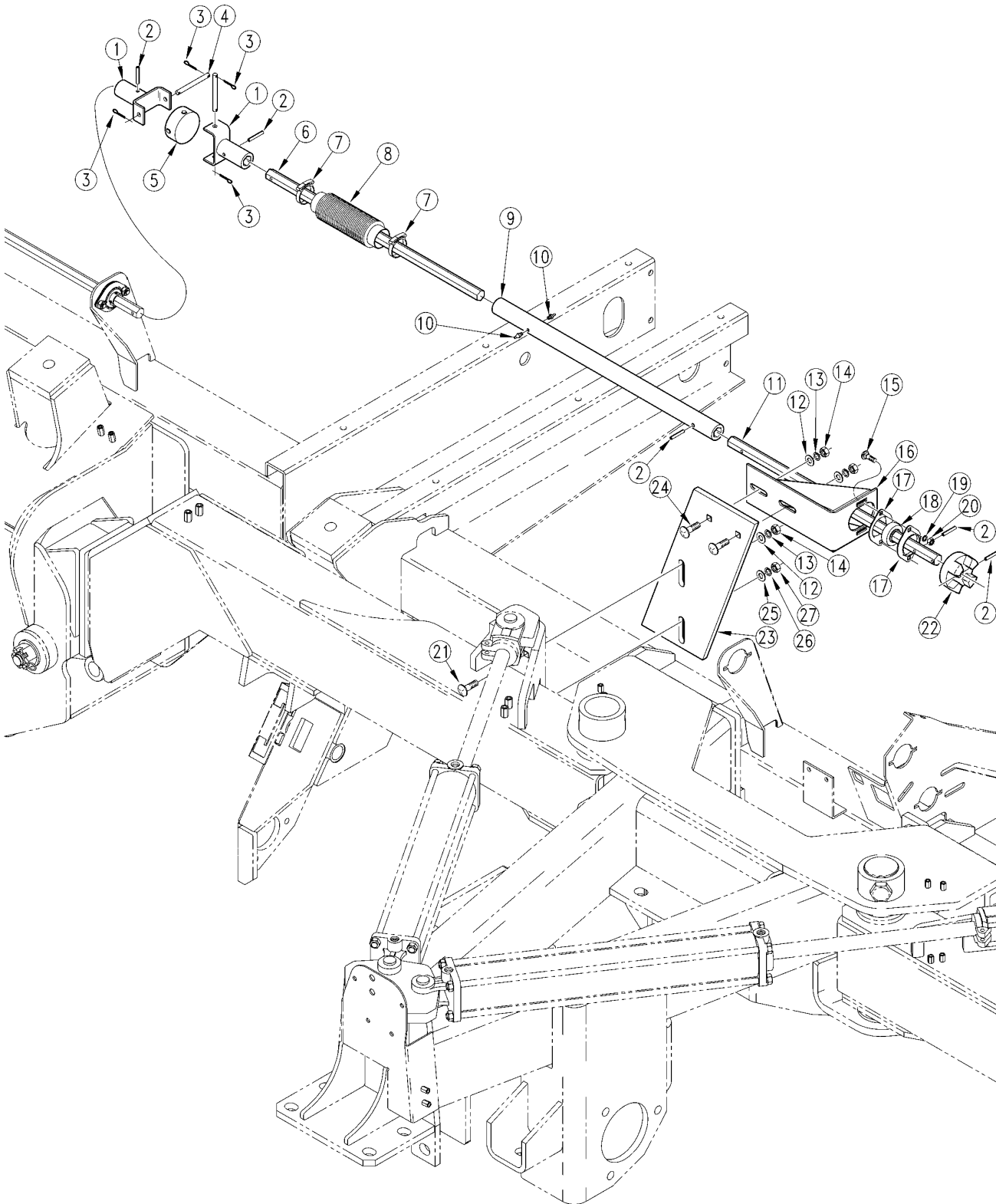
Right Hand Drive Point Row (Option) (S/N S1563+)

(Applies to 3S-3000 HD, 3S-3000 HDF only)

Ref	Part No.	Part Description	Comments	Revision
	dwg21633	Image No.		
1.	805-240C	PIN LYNCH 3/16 X 1 9/16 LONG		
2.	808-259C	SPKT 40B14 X 7/8 HEX BORE		
3.	808-256C	SPKT 40C23 X 7/8 HEX BORE		
4.	808-257C	SPKT 40B34 X 7/8 HEX BORE		
5.	808-258C	SPKT 40B72 X 7/8 HEX BORE		
6.	822-032C	FLANGETTE 52 MST		
7.	822-119C	BRG.7/8HEX BR 52MM SPHRICAL OD		
8.	804-009C	WASHER LOCK SPRING 5/16 PLT		
9.	803-008C	NUT HEX 5/16-18 PLT		
10.	195-169D	SEED JACK SHAFT 7/8 HEX WING		
11.	136-052D	CHAIN RL #40 69 PITCHES		
11.	809-149C	CHAIN RL #40 X 68 P		
12.	195-187K	3S-3000F LH WING CLUTCH ASSY	Refer to Left Hand Wing Clutch Fertilizer (195-187K) for breakdown	
13.	805-180C	PIN ROLL 1/4 X 1 1/2 LG PLT		
14.	195-232D	SHAFT 7/8 HEX, POINT ROW-RH	(S/N S2717-) Used with 195-264H	
14.	195-459D	7/8 HEX SHAFT POINT ROW-RH	(S/N S2718+) Used with 195-320S	
15.	802-282C	RHSNB 5/16-18X1 GR5		
16.	804-015C	WASHER LOCK SPRING 1/2 PLT		
17.	804-113C	WASHER FLAT 1/2 USS HARD PLT		
18.	803-036C	NUT HEX JAM 1/2-13 PLT		
19.	817-025C	NO. 40 12T IDLER SPKT.		
20.	802-041C	HHCS 1/2-13X3 1/2 GR5		
21.	136-122D	CHAIN RL #40 129 PITCHES		
22.	195-264H	SPKT 50A57 WITH 7/8 HEX HUB	(S/N S2717-)	
22.	195-320S	SPKT 50C57 RATCHET DRIVE	Shown (S/N S2718+) Includes items 26-32	
23.	808-143C	SPKT 40B12 7/8 HEX BORE W/SS		
24.	802-413C	HHCS 1/2-13X4 1/2 GR5		
25.	803-169C	NUT HEX FLG. LOCK 1/2-13 PLT.		
26.	402-050D	CLUTCH, SIDE PLATE TAPPED		
27.	808-449C	SPKT 50A57 SPECIAL BORE		
28.	402-376D	POLYURETHANE ROD SPRING 5/16 L		
29.	890-954C	HUB RATCHET SPKT #50		
30.	403-751D	KEY RATCHET CLUTCH #50 SPKT		
31.	402-051D	CLUTCH, SIDE PLATE C/BORED		
32.	802-418C	SHCS 1/4-20X7/8		

Center Drive

(Applies to 3S-3000 HD, 3S-3000 HDF only)



15460

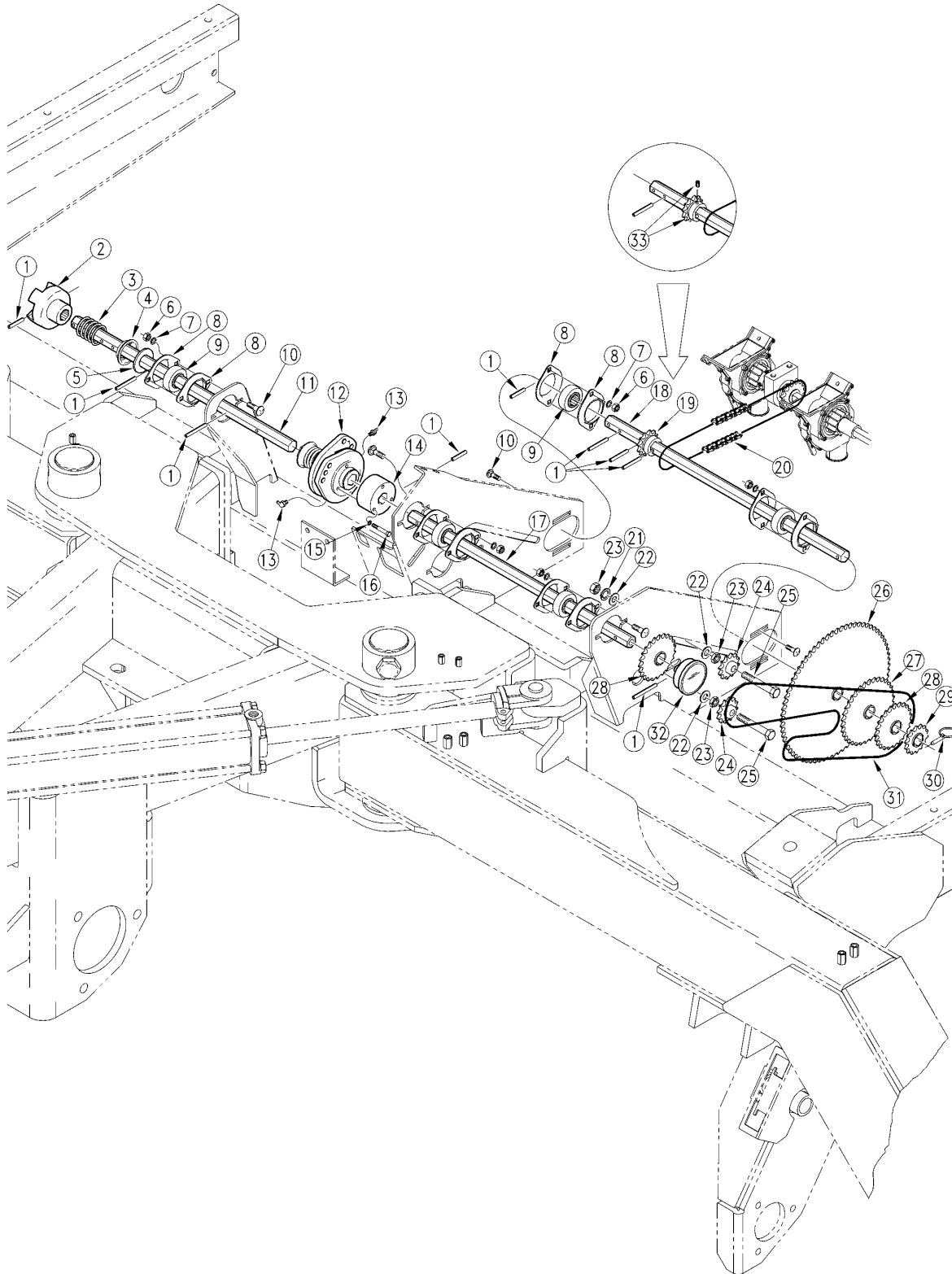
Center Drive

(Applies to 3S-3000 HD, 3S-3000 HDF only)

Ref	Part No.	Part Description	Comments	Revision
	dwg15460	Image No.		
1.	195-129H	U-JOINT YOKE 7/8 HEX BORE		
2.	805-180C	PIN ROLL 1/4 X 1 1/2 LG PLT		
3.	805-067C	PIN COTTER 1/8 X 3/4		
4.	195-157D	U-JOINT PIN 3/8		
5.	817-273C	U-JOINT NYLATRON CROSS BLOCK		
6.	195-152D	HEX SHFT 7/8TELESCOPING 25 3/4		
7.	800-016C	UPPER FERT HOSE CLAMP		
8.	816-242C	SEED HOSE-BELLOWS 1.75IDX36RIB		
9.	195-153D	TELESCOPING TUBE 7/8 HEX BORE		
10.	800-001C	GREASE ZERK STRAIGHT 1/4-28		
11.	195-151D	HEX SHAFT 7/8 BREAKAWAY		
12.	804-016C	WASHER FLAT 1/2 SAE PLT		
13.	804-015C	WASHER LOCK SPRING 1/2 PLT		
14.	803-020C	NUT HEX 1/2-13 PLT		
15.	802-282C	RHSNB 5/16-18X1 GR5		
16.	195-128H	BREAKAWAY BEARING TOOLBAR BRKT		
17.	822-032C	FLANGETTE 52 MST		
18.	822-119C	BRG 7/8HEXX2.05OD SPH		
19.	804-009C	WASHER LOCK SPRING 5/16 PLT		
20.	803-008C	NUT HEX 5/16-18 PLT		
21.	802-088C	RHSNB 5/8-11X2 GR5		
22.	195-108D	BRKAWAY CLUTCH 7/8 HX SHORT BR		
23.	194-150D	BREAK AWAY ADJUSTMENT PLATE		
24.	802-106C	RHSNB 1/2-13X1 1/2 GR5		
25.	804-019C	WASHER FLAT 5/8 USS PLT		
26.	804-022C	WASHER LOCK SPRING 5/8 PLT		
27.	803-021C	NUT HEX 5/8-11 PLT		

Center Drive (Continued) (S/N S1021-)

(Applies to 3S-3000 HD, 3S-3000 HDF only)



15461

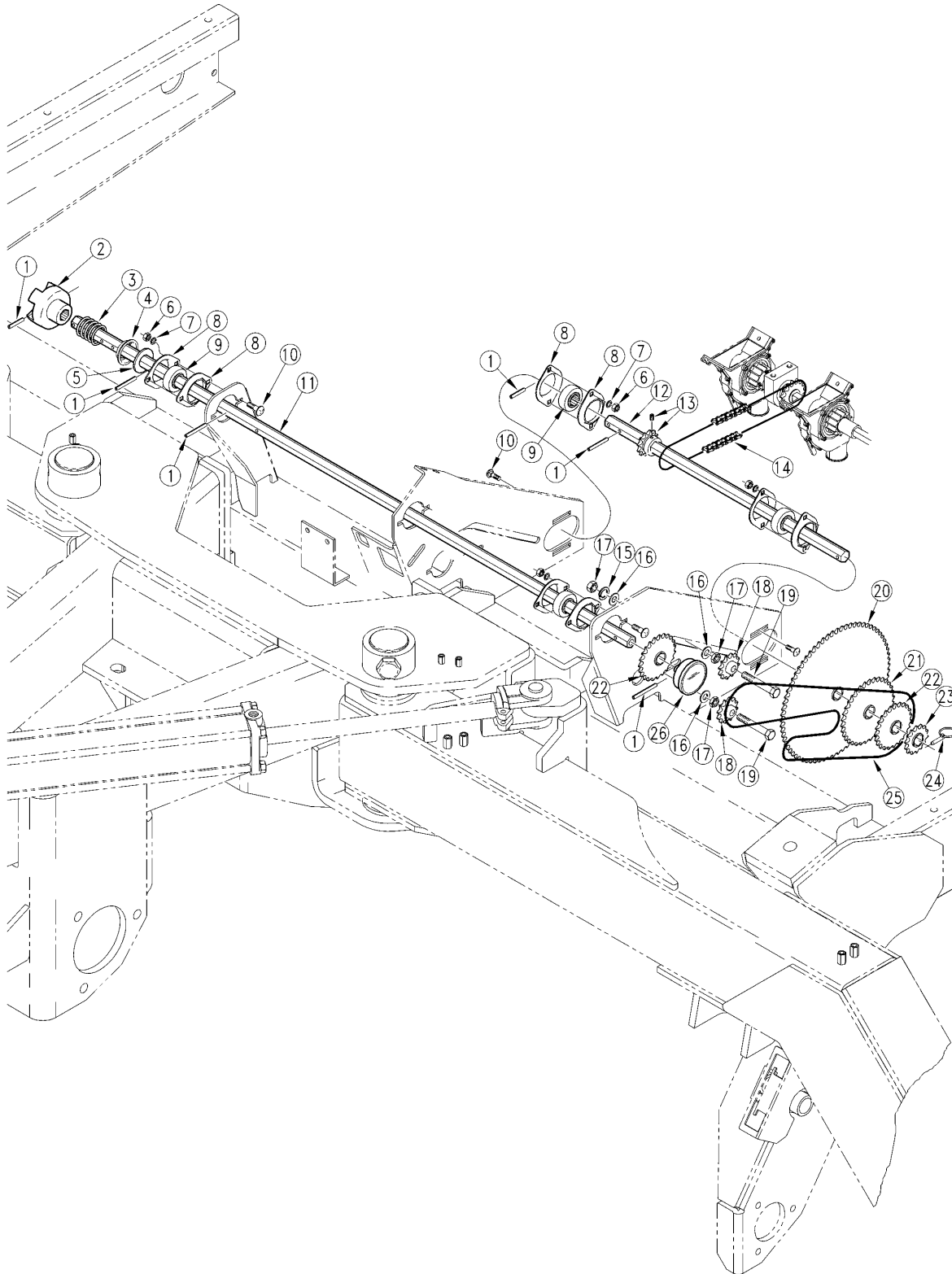
Center Drive (Continued) (S/N S1021-)

(Applies to 3S-3000 HD, 3S-3000 HDF only)

Ref	Part No.	Part Description	Comments	Revision
	dwg15461	Image No.		
1.	805-180C	PIN ROLL 1/4 X 1 1/2 LG PLT		
2.	195-109D	BRKAWAY CLUTCH 7/8 HX LONG BR		
3.	807-097C	SPRING COMP 2 1/16 OD X 4 LG		
4.	176-066D	CLUTCH SPRING RETAINER		
5.	804-061C	WASHER MACH 1.50 X 1.00 X 18GA		
6.	803-008C	NUT HEX 5/16-18 PLT		
7.	804-009C	WASHER LOCK SPRING 5/16 PLT		
8.	822-032C	FLANGETTE 52 MST		
9.	822-119C	BRG 7/8HEXX2.05OD SPH		
10.	802-282C	RHSNB 5/16-18X1 GR5		
11.	195-150D	POWER SHAFT 7/8 HEX CENTER		
12.	176-044S	JAW CLUTCH CW 7/8 HEX SHORT	Refer to "Jaw Clutch" for breakdown.	
13.	800-058C	GREASE ZERK 1/4-28 X 45-DEG		
14.	195-170D	CLUTCH ADAPTOR 7/8 HEX BORE		
15.	804-006C	WASHER LOCK SPRING 1/4 PLT		
16.	802-152C	HHCS 1/4-20X2 GR5		
17.	195-168D	POWER SHAFT 7/8 HEX CTR CLUTCH		
18.	195-172D	SEED JACKSHAFT 7/8 HEX CENTER	Revised. Deleted 2 sprocket roll pin holes. Order w/ #33, 808-143C 1st time	
19.	195-138H	RPBY 808-260C	Order only if using original shaft	
20.	809-149C	CHAIN RL #40 X 68 PITCH W/CON		
21.	804-015C	WASHER LOCK SPRING 1/2 PLT		
22.	804-113C	WASHER FLAT 1/2 USS HARD PLT		
23.	803-036C	NUT HEX JAM 1/2-13 PLT		
24.	817-025C	NO. 40 12T IDLER SPKT.		
25.	802-099C	HHCS 1/2-13X3 1/4 GR5		
26.	195-136H	RPBY 808-258C		
27.	195-135H	SPKT 40B34T WITH 7/8 HEX HUB		
28.	195-134H	SPKT 40B23T WITH 7/8 HEX HUB		
29.	195-137H	RPBY 808-259C		
30.	805-240C	PIN LINCH 3/16 X 1 9/16 LONG		
31.	809-164C	RPBY 136-122D		
32.	891-059C	3S-3000 ACRE METER		
33.	808-143C	SPKT 40B12 7/8 HEX BORE W/SS	Order only if using revised shaft.	

Center Drive (Continued) (S/N S1022 - S/N S1562)

(Applies to 3S-3000 HD, 3S-3000 HDF only)



16067

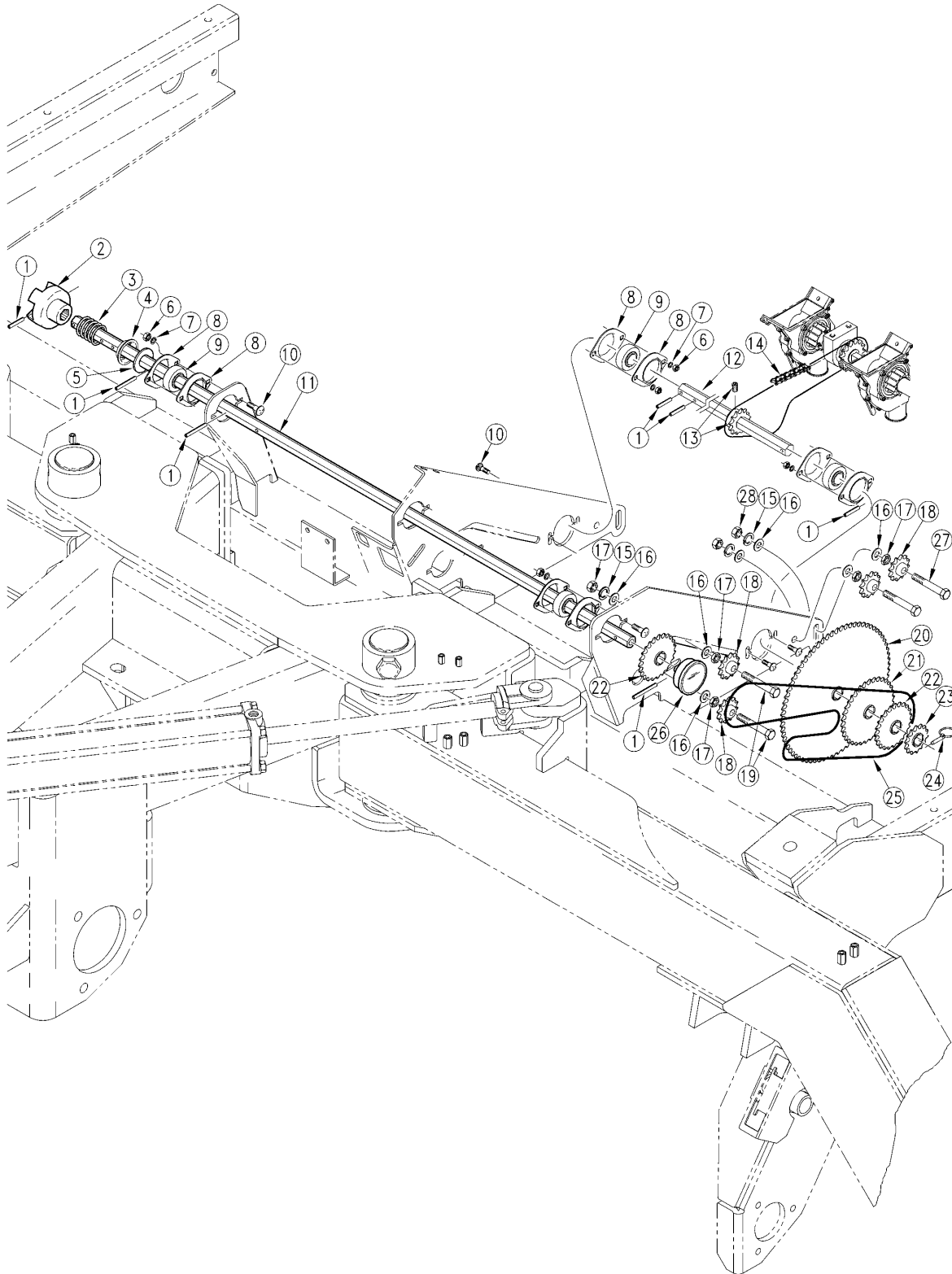
Center Drive (Continued) (S/N S1022 - S/N S1562)

(Applies to 3S-3000 HD, 3S-3000 HDF only)

Ref	Part No.	Part Description	Comments	Revision
	dwg16067	Image No.		
1.	805-180C	PIN ROLL 1/4 X 1 1/2 LG PLT		
2.	195-109D	BRKAWAY CLUTCH 7/8 HX LONG BR		
3.	807-097C	SPRING COMP 2 1/16 OD X 4 LG		
4.	176-066D	CLUTCH SPRING RETAINER		
5.	804-061C	WASHER MACH 1.50 X 1.00 X 18GA		
6.	803-008C	NUT HEX 5/16-18 PLT		
7.	804-009C	WASHER LOCK SPRING 5/16 PLT		
8.	822-032C	FLANGETTE 52 MST		
9.	822-119C	BRG 7/8HEXX2.05OD SPH		
10.	802-282C	RHSNB 5/16-18X1 GR5		
11.	195-188D	POWER SHAFT 7/8 HEX CENTER		
12.	195-172D	SEED JACKSHAFT 7/8 HEX CENTER		
13.	808-143C	SPKT 40B12 7/8 HEX BORE W/SS		
14.	809-149C	CHAIN RL #40 X 68 PITCH W/CON		
15.	804-015C	WASHER LOCK SPRING 1/2 PLT		
16.	804-113C	WASHER FLAT 1/2 USS HARD PLT		
17.	803-036C	NUT HEX JAM 1/2-13 PLT		
18.	817-025C	NO. 40 12T IDLER SPKT.		
19.	802-099C	HHCS 1/2-13X3 1/4 GR5		
20.	195-136H	RPBY 808-258C		
21.	195-135H	SPKT 40B34T WITH 7/8 HEX HUB		
22.	195-134H	SPKT 40B23T WITH 7/8 HEX HUB		
23.	195-137H	RPBY 808-259C		
24.	805-240C	PIN LINCH 3/16 X 1 9/16 LONG		
25.	809-164C	RPBY 136-122D		
26.	891-059C	3S-3000 ACRE METER		

Center Drive (Continued) (S/N S1563+)

(Applies to 3S-3000 HD, 3S-3000 HDF only)



21634

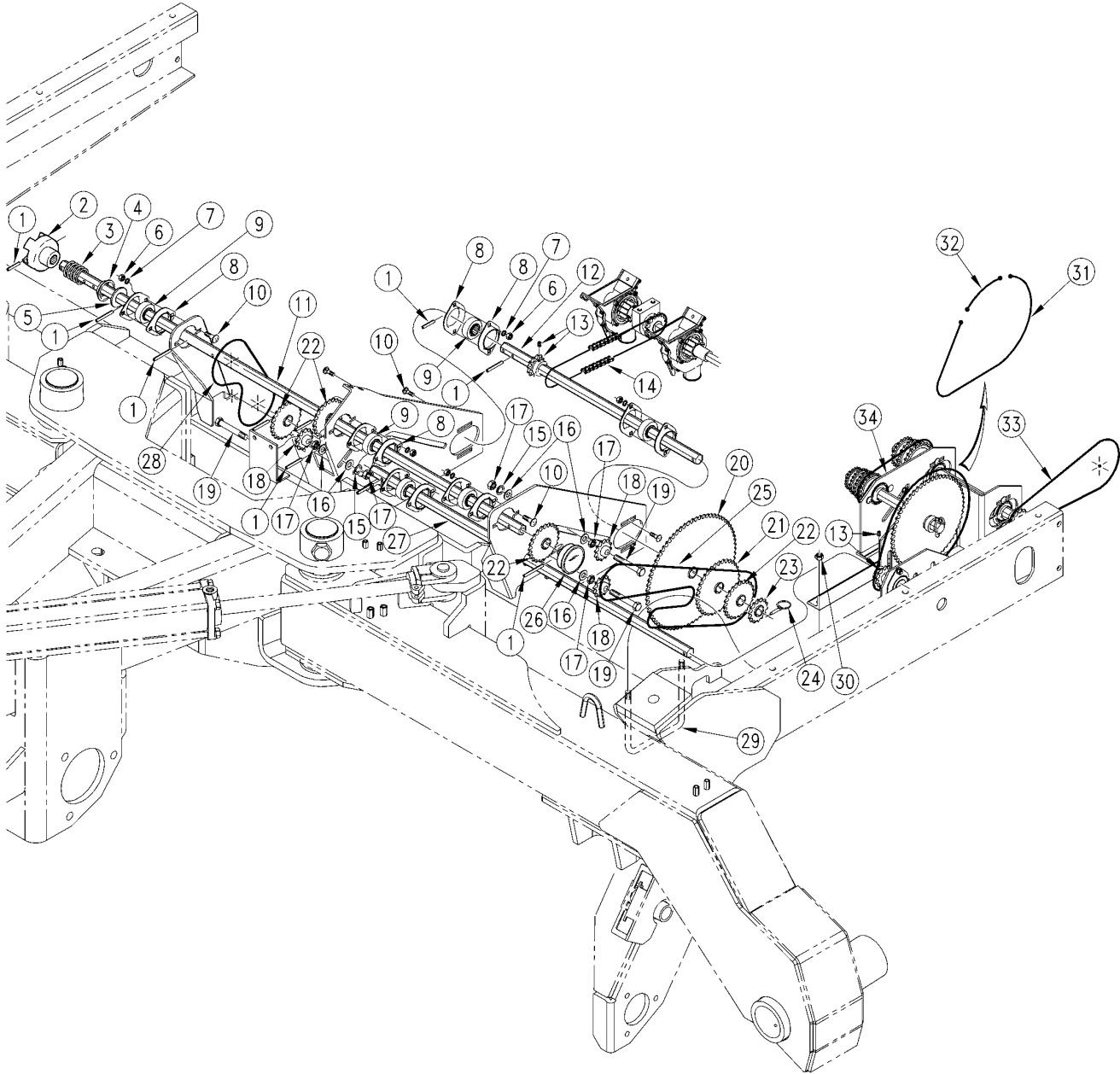
Center Drive (Continued) (S/N S1563+)

(Applies to 3S-3000 HD, 3S-3000 HDF only)

Ref	Part No.	Part Description	Comments	Revision
	dwg21634	Image No.		
1.	805-180C	PIN ROLL 1/4 X 1 1/2 LG PLT		
2.	195-109D	BRKAWAY CLUTCH 7/8 HX LONG BR		
3.	807-097C	SPRING COMP 2 1/16 OD X 4 LG		
4.	176-066D	CLUTCH SPRING RETAINER		
5.	804-061C	WASHER MACH 1.50 X 1.00 X 18GA		
6.	803-008C	NUT HEX 5/16-18 PLT		
7.	804-009C	WASHER LOCK SPRING 5/16 PLT		
8.	822-032C	FLANGETTE 52 MST		
9.	822-119C	BRG 7/8HEXX2.05OD SPH		
10.	802-282C	RHSNB 5/16-18X1 GR5		
11.	195-188D	POWER SHAFT 7/8 HEX CENTER		
12.	195-172D	SEED JACKSHAFT 7/8 HEX CENTER		
13.	808-143C	SPKT 40B12 7/8 HEX BORE W/SS		
14.	136-052D	CHAIN RL #40 69 PITCHES		2nd Revision.
14.	809-149C	CHAIN RL #40 X 68 PITCH W/CON		1st Revision.
15.	804-015C	WASHER LOCK SPRING 1/2 PLT		
16.	804-113C	WASHER FLAT 1/2 USS HARD PLT		
17.	803-036C	NUT HEX JAM 1/2-13 PLT		
18.	817-025C	NO. 40 12T IDLER SPKT.		
19.	802-041C	HHCS 1/2-13X3 1/2 GR5		
20.	808-258C	SPKT 40B72 X 7/8 HEX BORE		2nd Revision.
20.	195-136H	RPBY 808-258C		1st Revision.
21.	808-257C	SPKT 40B34 X 7/8 HEX BORE		2nd Revision.
21.	195-135H	RPBY 808-257C		1st Revision.
22.	808-256C	SPKT 40C23 X 7/8 HEX BORE		2nd Revision.
22.	195-134H	RPBY 808-256C		1st Revision.
23.	808-259C	SPKT 40B14 X 7/8 HEX BORE		2nd Revision.
23.	195-137H	RPBY 808-259C		1st Revision.
24.	805-240C	PIN LINCH 3/16 X 1 9/16 LONG		
25.	136-122D	CHAIN RL #40 129 PITCHES		2nd Revision.
25.	809-164C	RPBY 136-122D		1st Revision.
26.	891-059C	3S-3000 ACRE METER		
26.	891-060C	3S-3000 HECTARE METER		
27.	802-413C	HHCS 1/2-13X4 1/2 GR5		
28.	803-169C	NUT HEX FLG. LOCK 1/2-13 PLT.		

Center Drive Fertilizer (S/N S1562-)

(Applies to 3S-3000 HD, 3S-3000 HDF only)



16422

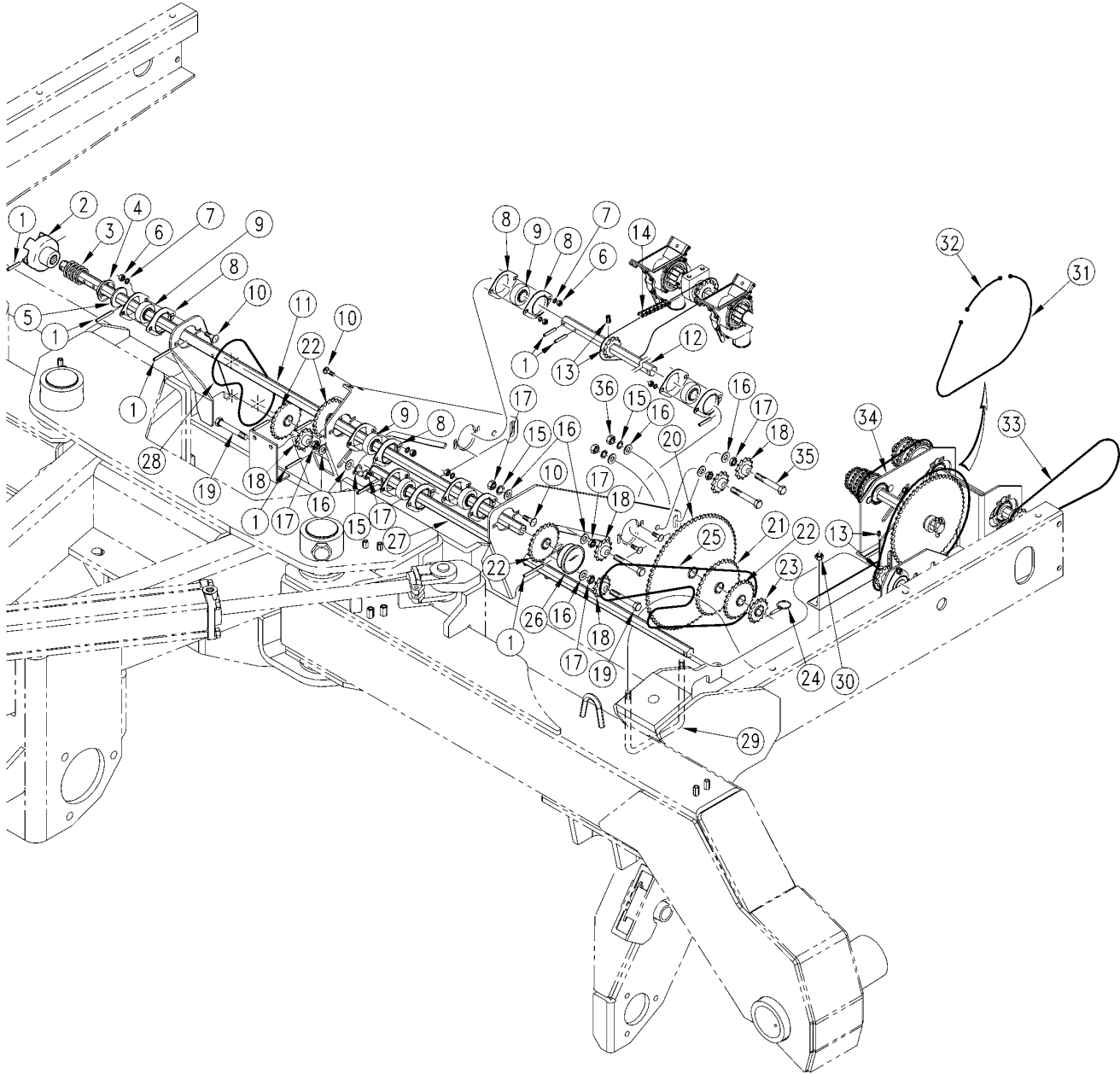
Center Drive Fertilizer (S/N S1562-)

(Applies to 3S-3000 HD, 3S-3000 HDF only)

Ref	Part No.	Part Description	Comments	Revision
	dwg16422	Image No.		
1.	805-180C	PIN ROLL 1/4 X 1 1/2 LG PLT		
2.	195-109D	BRKAWAY CLUTCH 7/8 HX LONG BR		
3.	807-097C	SPRING COMP 2 1/16 OD X 4 LG		
4.	176-066D	CLUTCH SPRING RETAINER		
5.	804-061C	WASHER MACH 1.50 X 1.00 X 18GA		
6.	803-008C	NUT HEX 5/16-18 PLT		
7.	804-009C	WASHER LOCK SPRING 5/16 PLT		
8.	822-032C	FLANGETTE 52 MST		
9.	822-119C	BRG 7/8HEXX2.05OD SPH		
10.	802-282C	RHSNB 5/16-18X1 GR5		
11.	195-188D	POWER SHAFT 7/8 HEX CENTER		
12.	195-172D	SEED JACKSHAFT 7/8 HEX CENTER		
13.	808-143C	SPKT 40B12 7/8 HEX BORE W/SS		
14.	809-149C	CHAIN RL #40 X 68 PITCH W/CON		
15.	804-015C	WASHER LOCK SPRING 1/2 PLT		
16.	804-113C	WASHER FLAT 1/2 USS HARD PLT		
17.	803-036C	NUT HEX JAM 1/2-13 PLT		
18.	817-025C	NO. 40 12T IDLER SPKT.		
19.	802-099C	HHCS 1/2-13X3 1/4 GR5		
20.	195-136H	RPBY 808-258C		
21.	195-135H	SPKT 40B34T WITH 7/8 HEX HUB		
22.	195-134H	SPKT 40B23T WITH 7/8 HEX HUB		
23.	195-137H	RPBY 808-259C		
24.	805-240C	PIN LINCH 3/16 X 1 9/16 LONG		
25.	809-164C	RPBY 136-122D		
26.	891-059C	3S-3000 ACRE METER		
27.	195-211D	HEX SHAFT 7/8, AUXILIARY POWER		
28.	809-071C	RPBY 136-064D		
29.	806-060C	U-BOLT 1/2-13 X 6 1/32 X 7 1/4		
30.	803-019C	NUT LOCK 1/2-13 PLT		
31.	809-160C	CHAIN RL #40 X 43 PITCH W/CON		
32.	809-146C	CHAIN RL #40 X 16 PITCH W/CON		
33.	809-045C	RPBY 136-044D		
34.	195-184S	FERTILIZER DRIVE SUBASSY LH	Refer to "Fertilizer Drive Subassy (195-184S)" for breakdown.	

Center Drive Fertilizer (S/N S1563+)

(Applies to 3S-3000 HD, 3S-3000 HDF only)



21635

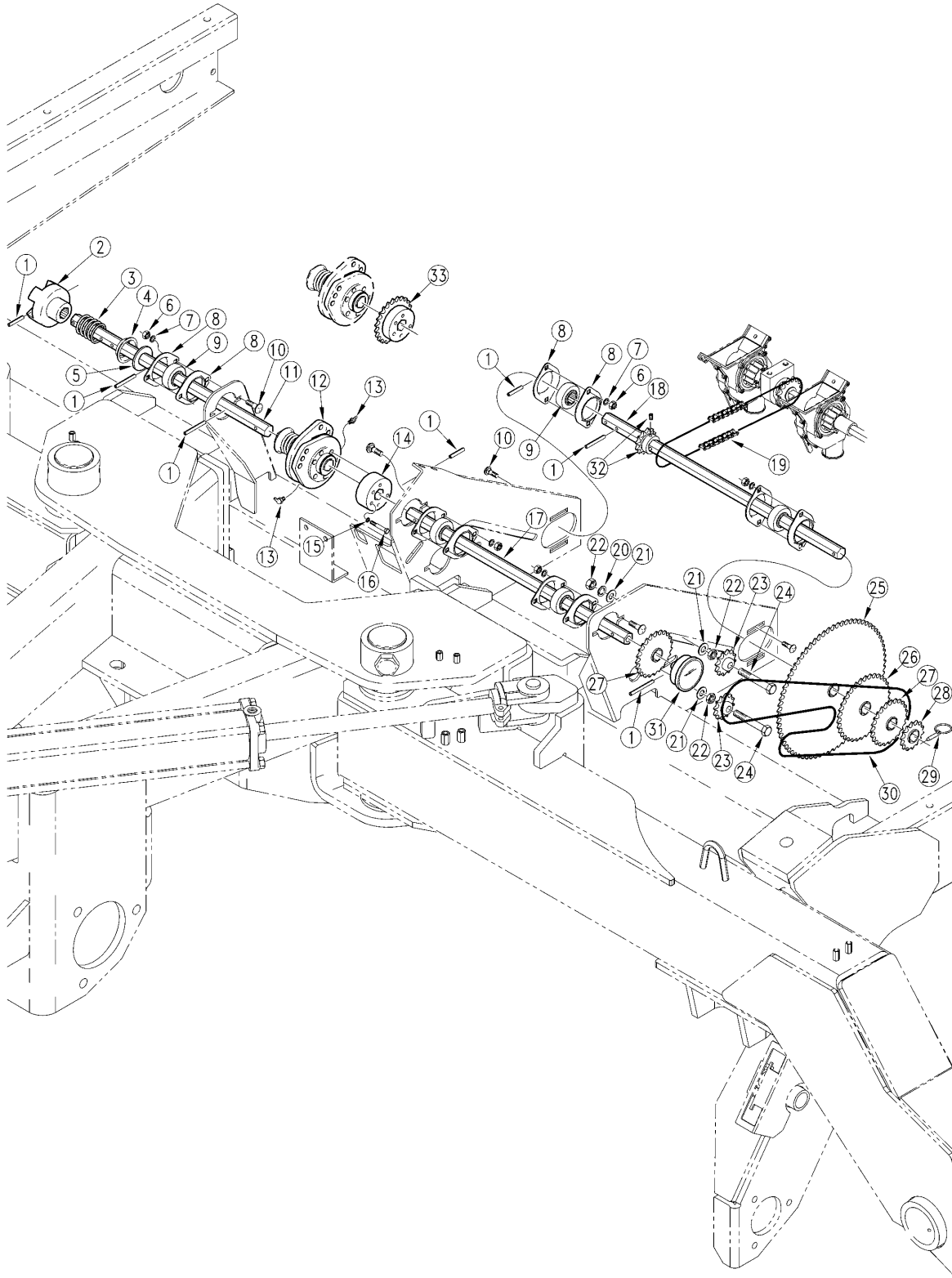
Center Drive Fertilizer (S/N S1563+)

(Applies to 3S-3000 HD, 3S-3000 HDF only)

Ref	Part No.	Part Description	Comments	Revision
	dwg21635	Image No.		
1.	805-180C	PIN ROLL 1/4 X 1 1/2 LG PLT		
2.	195-109D	BRKAWAY CLUTCH 7/8 HX LONG BR		
3.	807-097C	SPRING COMP 2 1/16 OD X 4 LG		
4.	176-066D	CLUTCH SPRING RETAINER		
5.	804-061C	WASHER MACH 1.50 X 1.00 X 18GA		
6.	803-008C	NUT HEX 5/16-18 PLT		
7.	804-009C	WASHER LOCK SPRING 5/16 PLT		
8.	822-032C	FLANGETTE 52 MST		
9.	822-119C	BRG 7/8HEXX2.05OD SPH		
10.	802-282C	RHSNB 5/16-18X1 GR5		
11.	195-188D	POWER SHAFT 7/8 HEX CENTER		
12.	195-172D	SEED JACKSHAFT 7/8 HEX CENTER		
13.	808-143C	SPKT 40B12 7/8 HEX BORE W/SS		
14.	136-052D	CHAIN RL #40 69 PITCHES		2nd Revision.
14.	809-149C	CHAIN RL #40 X 68 PITCH W/CON		1st Revision.
15.	804-015C	WASHER LOCK SPRING 1/2 PLT		
16.	804-113C	WASHER FLAT 1/2 USS HARD PLT		
17.	803-036C	NUT HEX JAM 1/2-13 PLT		
18.	817-025C	NO. 40 12T IDLER SPKT.		
19.	802-041C	HHCS 1/2-13X3 1/2 GR5		
20.	808-258C	SPKT 40B72 X 7/8 HEX BORE		2nd Revision.
20.	195-136H	RPBY 808-258C		1st Revision.
21.	808-257C	SPKT 40B34 X 7/8 HEX BORE		2nd Revision.
21.	195-135H	RPBY 808-257C		1st Revision.
22.	808-256C	SPKT 40C23 X 7/8 HEX BORE		2nd Revision.
22.	195-134H	RPBY 808-256C		1st Revision.
23.	808-259C	SPKT 40B14 X 7/8 HEX BORE		2nd Revision.
23.	195-137H	RPBY 808-259C		1st Revision.
24.	805-240C	PIN LINCH 3/16 X 1 9/16 LONG		
25.	136-122D	CHAIN RL #40 129 PITCHES		2nd Revision.
25.	809-164C	RPBY 136-122D		1st Revision.
26.	891-059C	3S-3000 ACRE METER		
26.	891-060C	3S-3000 HECTARE METER		
27.	195-211D	HEX SHAFT 7/8, AUXILIARY POWER		
28.	136-064D	CHAIN RL #40 51 PITCHES		2nd Revision.
28.	809-071C	RPBY 136-064D		1st Revision.
29.	806-060C	U-BOLT 1/2-13 X 6 1/32 X 7 1/4		
30.	803-019C	NUT LOCK 1/2-13 PLT		
31.	136-151D	CHAIN RL #40 59 PITCHES		3rd Revision.
31.	136-118D	CHAIN RL #40 43 PITCHES		2nd Revision.
31.	809-160C	RPBY 136-118D		1st Revision.
32.	809-146C	CHAIN RL #40 X 16 PITCH W/CON	(S/N S1401-) Used with 136-118D.	
33.	136-207D	CHAIN RL #40 109 PITCHES W/CON		3rd Revision.
33.	136-044D	CHAIN RL #40 109 PITCHES		2nd Revision.
33.	809-045C	RPBY 136-044D		1st Revision.
34.	195-184S	FERTILIZER DRIVE SUBASSY LH	Refer to "Fertilizer Drive Subassy (195-184S)" for breakdown.	
35.	802-413C	HHCS 1/2-13X4 1/2 GR5		
36.	803-169C	NUT HEX FLG. LOCK 1/2-13 PLT.		

Center Drive Point Row (Option) (S/N S1562-)

(Applies to 3S-3000 HD, 3S-3000 HDF only)



17024

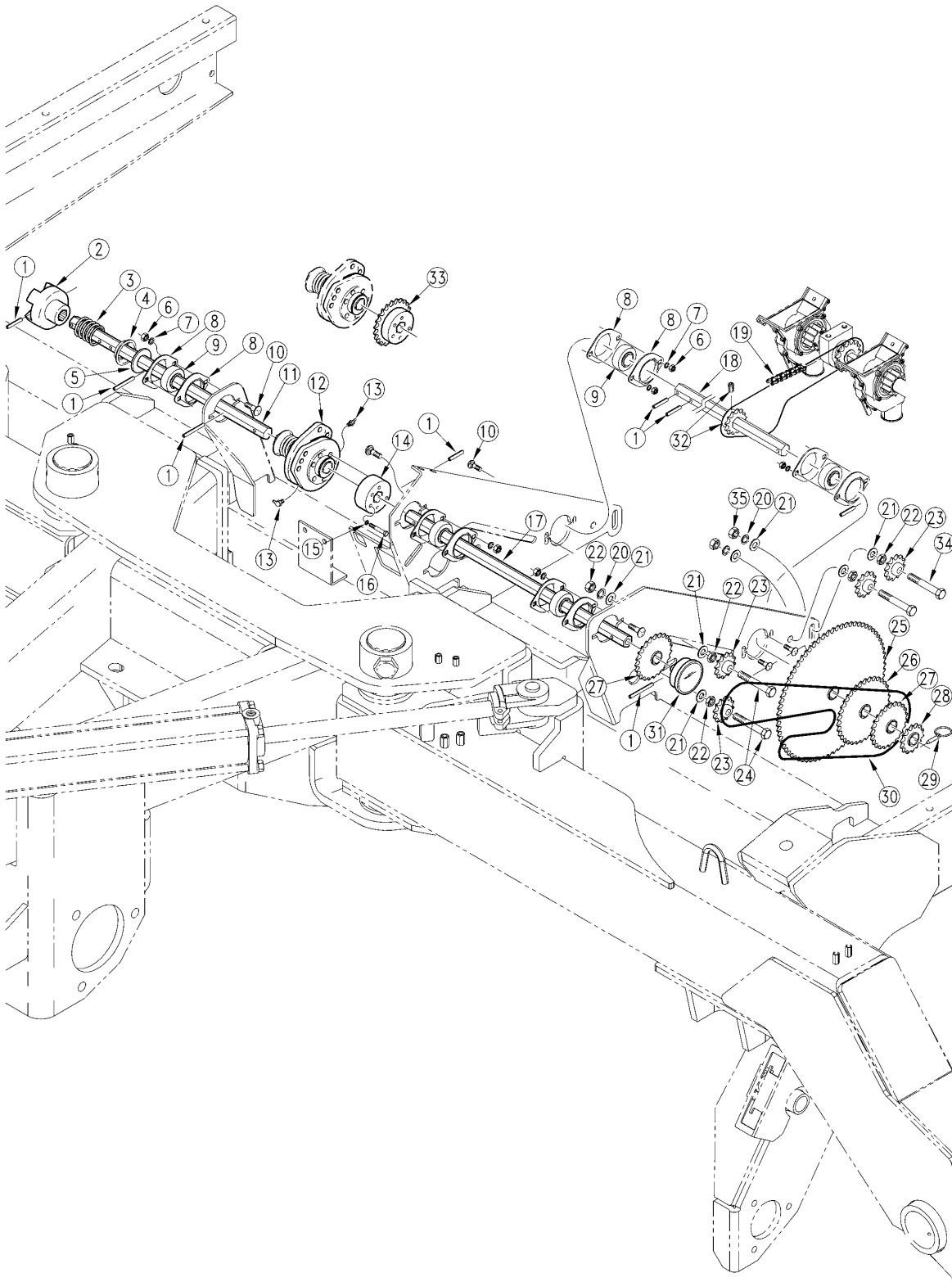
Center Drive Point Row (Option) (S/N S1562-)

(Applies to 3S-3000 HD, 3S-3000 HDF only)

Ref	Part No.	Part Description	Comments	Revision
	dwg17024	Image No.		
1.	805-180C	PIN ROLL 1/4 X 1 1/2 LG PLT		
2.	195-109D	BRKAWAY CLUTCH 7/8 HX LONG BR		
3.	807-097C	SPRING COMP 2 1/16 OD X 4 LG		
4.	176-066D	CLUTCH SPRING RETAINER		
5.	804-061C	WASHER MACH 1.50 X 1.00 X 18GA		
6.	803-008C	NUT HEX 5/16-18 PLT		
7.	804-009C	WASHER LOCK SPRING 5/16 PLT		
8.	822-032C	FLANGETTE 52 MST		
9.	822-119C	BRG 7/8HEXX2.05OD SPH		
10.	802-282C	RHSNB 5/16-18X1 GR5		
11.	195-231D	SHAFT 7/8 HEX,POINT ROW-CENTER		
12.	176-042S	JAW CLUTCH CW EXT 7/8 HEX	Refer to "Jaw Clutch" for breakdown	
13.	800-058C	GREASE ZERK 1/4-28 X 45-DEG		
14.	195-170D	CLUTCH ADAPTOR 7/8 HEX BORE	Grain only drills.	
15.	804-006C	WASHER LOCK SPRING 1/4 PLT		
16.	802-152C	HHCS 1/4-20X2 GR5		
17.	195-168D	POWER SHAFT 7/8 HEX CTR CLUTCH		
18.	195-172D	SEED JACKSHAFT 7/8 HEX CENTER		
19.	809-149C	CHAIN RL #40 X 68 PITCH W/CON		
20.	804-015C	WASHER LOCK SPRING 1/2 PLT		
21.	804-113C	WASHER FLAT 1/2 USS HARD PLT		
22.	803-036C	NUT HEX JAM 1/2-13 PLT		
23.	817-025C	NO. 40 12T IDLER SPKT.		
24.	802-099C	HHCS 1/2-13X3 1/4 GR5		
25.	195-136H	RPBY 808-258C		
26.	195-135H	SPKT 40B34T WITH 7/8 HEX HUB		
27.	195-134H	SPKT 40B23T WITH 7/8 HEX HUB		
28.	195-137H	RPBY 808-259C		
29.	805-240C	PIN LINCH 3/16 X 1 9/16 LONG		
30.	136-122D	CHAIN RL #40 129 PITCHES		
31.	891-059C	3S-3000 ACRE METER		
32.	808-143C	SPKT 40B12 7/8 HEX BORE W/SS		
33.	195-161H	SPKT CLUTCH 40B23T HEX BORE	Fertilizer only.	

Center Drive Point Row (Option) (S/N S1563+)

(Applies to 3S-3000 HD, 3S-3000 HDF only)



21636

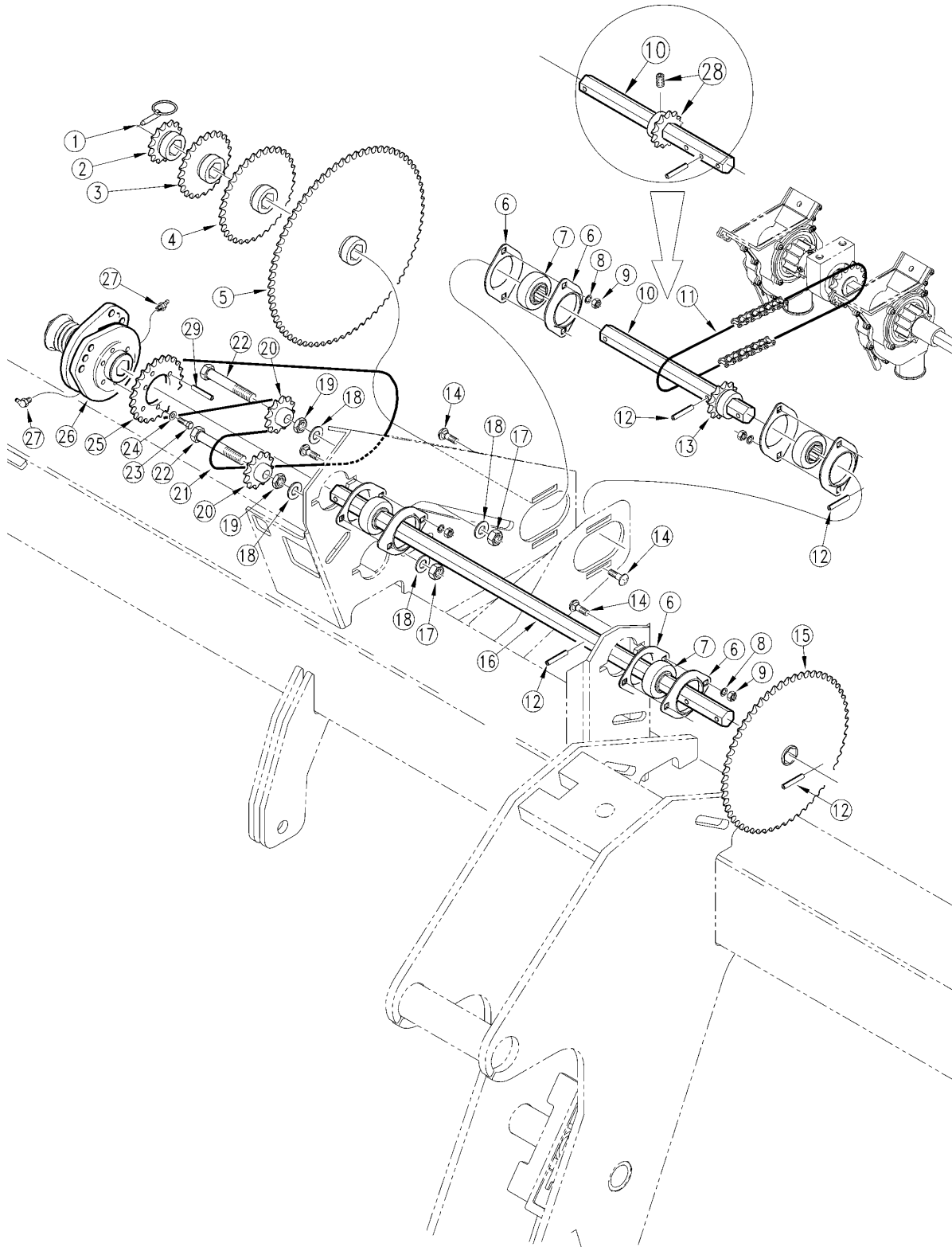
Center Drive Point Row (Option) (S/N S1563+)

(Applies to 3S-3000 HD, 3S-3000 HDF only)

Ref	Part No.	Part Description	Comments	Revision
	dwg21636	Image No.		
1.	805-180C	PIN ROLL 1/4 X 1 1/2 LG PLT		
2.	195-109D	BRKAWAY CLUTCH 7/8 HX LONG BR		
3.	807-097C	SPRING COMP 2 1/16 OD X 4 LG		
4.	176-066D	CLUTCH SPRING RETAINER		
5.	804-061C	WASHER MACH 1.50 X 1.00 X 18GA		
6.	803-008C	NUT HEX 5/16-18 PLT		
7.	804-009C	WASHER LOCK SPRING 5/16 PLT		
8.	822-032C	FLANGETTE 52 MST		
9.	822-119C	BRG 7/8HEXX2.05OD SPH		
10.	802-282C	RHSNB 5/16-18X1 GR5		
11.	195-231D	SHAFT 7/8 HEX,POINT ROW-CENTER		
12.	176-042S	JAW CLUTCH CW EXT 7/8 HEX	Refer to "Jaw Clutch" for breakdown.	
13.	800-058C	GREASE ZERK 1/4-28 X 45-DEG		
14.	195-170D	CLUTCH ADAPTOR 7/8 HEX BORE	Grain only drills.	
15.	804-006C	WASHER LOCK SPRING 1/4 PLT		
16.	802-152C	HHCS 1/4-20X2 GR5		
17.	195-168D	POWER SHAFT 7/8 HEX CTR CLUTCH		
18.	195-172D	SEED JACKSHAFT 7/8 HEX CENTER		
19.	136-152D	CHAIN RL #40 96 PITCHES		2nd Revision.
19.	809-149C	CHAIN RL #40 X 68 PITCH W/CON		1st Revision.
20.	804-015C	WASHER LOCK SPRING 1/2 PLT		
21.	804-113C	WASHER FLAT 1/2 USS HARD PLT		
22.	803-036C	NUT HEX JAM 1/2-13 PLT		
23.	817-025C	NO. 40 12T IDLER SPKT.		
24.	802-099C	HHCS 1/2-13X3 1/4 GR5		
25.	808-258C	SPKT 40B72 X 7/8 HEX BORE		2nd Revision.
25.	195-136H	RPBY 808-258C		1st Revision.
26.	808-257C	SPKT 40B34 X 7/8 HEX BORE		2nd Revision.
26.	195-135H	RPBY 808-257C		1st Revision.
27.	808-256C	SPKT 40C23 X 7/8 HEX BORE		2nd Revision.
27.	195-134H	RPBY 808-256C		1st Revision.
28.	808-259C	SPKT 40B14 X 7/8 HEX BORE		2nd Revision.
28.	195-137H	RPBY 808-259C		1st Revision.
29.	805-240C	PIN LINCH 3/16 X 1 9/16 LONG		
30.	136-122D	CHAIN RL #40 129 PITCHES		
31.	891-059C	3S-3000 ACRE METER		
31.	891-060C	3S-3000 HECTARE METER		
32.	808-143C	SPKT 40B12 7/8 HEX BORE W/SS		
33.	195-161H	SPKT CLUTCH 40B23T HEX BORE	Fertilizer only.	
34.	802-413C	HHCS 1/2-13X4 1/2 GR5		
35.	803-169C	NUT HEX FLG. LOCK 1/2-13 PLT.		

Left Hand Drive (S/N S1562-)

(Applies to 3S-3000 HD, 3S-3000 HDF only)



15462

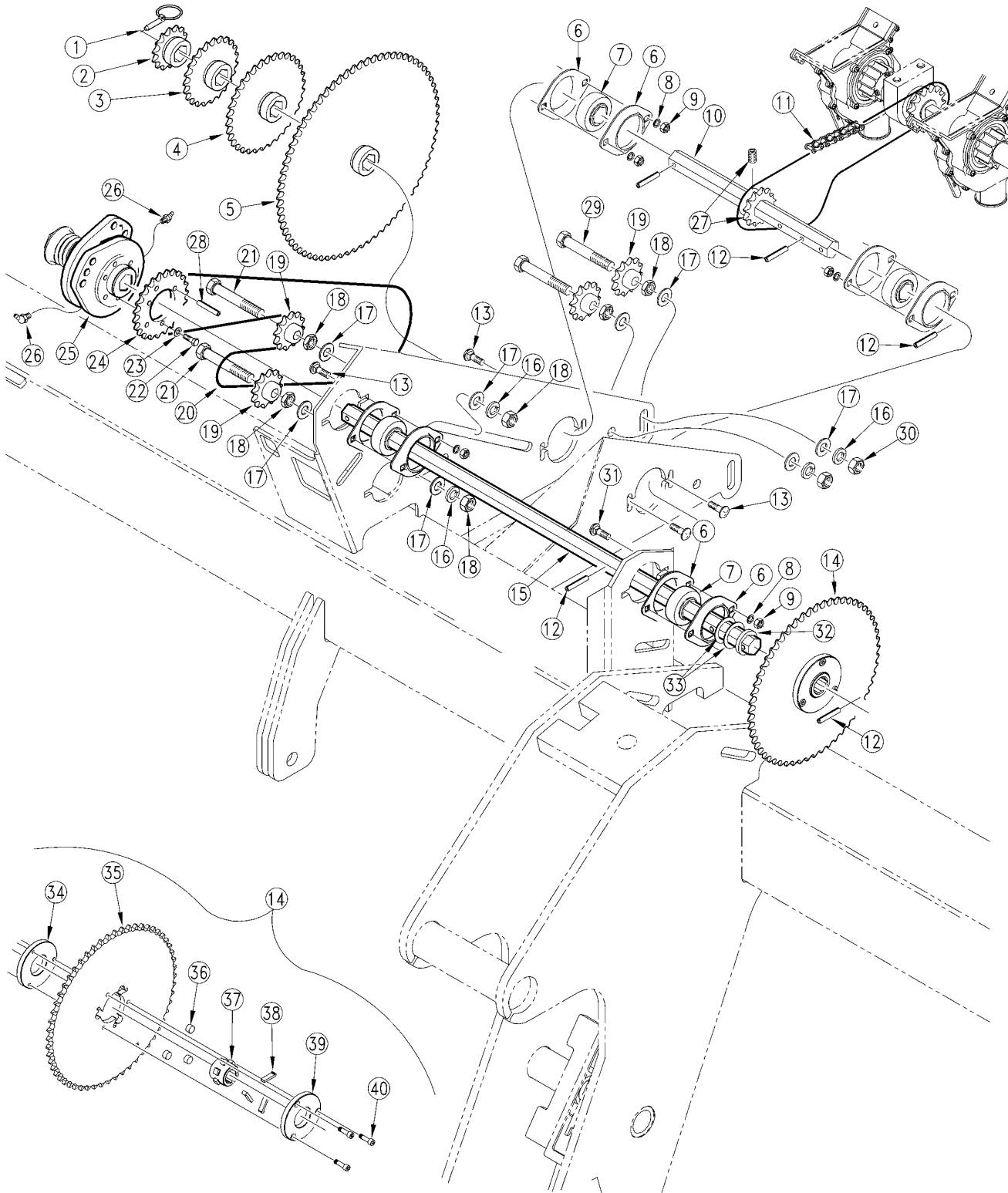
Left Hand Drive (S/N S1562-)

(Applies to 3S-3000 HD, 3S-3000 HDF only)

Ref	Part No.	Part Description	Comments	Revision
	dwg15462	Image No.		
1.	805-240C	PIN LINCH 3/16 X 1 9/16 LONG		
2.	195-137H	RPBY 808-259C		
3.	195-134H	SPKT 40B23T WITH 7/8 HEX HUB		
4.	195-135H	SPKT 40B34T WITH 7/8 HEX HUB		
5.	195-136H	RPBY 808-258C		
6.	822-032C	FLANGETTE 52 MST		
7.	822-119C	BRG 7/8HEXX2.05OD SPH		
8.	804-009C	WASHER LOCK SPRING 5/16 PLT		
9.	803-008C	NUT HEX 5/16-18 PLT		
10.	195-169D	SEED JACK SHAFT 7/8 HEX WING	Revised part w/4 holes order w/#28, 195-143C 1st time only (see detail in illustration)	
11.	809-149C	CHAIN RL #40 X 68 PITCH W/CON		
12.	805-180C	PIN ROLL 1/4 X 1 1/2 LG PLT		
13.	195-138H	RPBY 808-260C	Order only if using original shaft	
14.	802-282C	RHSNB 5/16-18X1 GR5		
15.	195-139H	SPKT 40B57T WITH 7/8 HEX HUB		
16.	195-189D	POWER SHAFT 7/8 HEX LH	(S/N S1022+)	Rev. 2 is not interchangeable w/rev. 1
16.	195-167D	POWER SHAFT 7/8 HEX LH	(S/N S1021-)	1st rev.
17.	803-178C	NUT NYLOCK JAM NUT 1/2-13		
18.	804-017C	WASHER FLAT 1/2 USS PLT		
19.	803-036C	NUT HEX JAM 1/2-13 PLT		
20.	817-025C	NO. 40 12T IDLER SPKT.		
21.	136-122D	CHAIN RL #40 129 PITCHES		2nd rev.
21.	809-164C	RPBY 136-122D		Use existing stock; 1st rev.
22.	802-099C	HHCS 1/2-13X3 1/4 GR5		
23.	802-004C	HHCS 1/4-20X3/4 GR5	(S/N S1022+)	Rev. 2 is not interchangeable w/rev. 1
23.	801-070C	HSNCS 1/4-20X3/4	(S/N S1021-)	1st rev.
24.	804-006C	WASHER LOCK SPRING 1/4 PLT		
25.	808-240C	SPKT 40A23X1.813-1.818 BR/6HOL		2nd rev.
25.	152-283D	RPBY 808-240C		Use existing stock; 1st rev.
26.	176-042S	JAW CLUTCH CW EXT 7/8 HEX	(S/N S1022+); Refer to "Jaw Clutch" for breakdown.	Rev. 2 is not interchangeable w/rev. 1
26.	176-044S	JAW CLUTCH CW 7/8 HEX SHORT	(S/N S1021-); Refer to "Jaw Clutch" for breakdown.	1st rev.
27.	800-058C	GREASE ZERK 1/4-28 X 45-DEG		
28.	808-143C	SPKT 40B12 7/8 HEX BORE W/SS	Order only if using revised shaft (orient as shown in detail)	
29.	805-026C	PIN ROLL 1/4 X 3/4 PLT	(S/N S1022+)	

Left Hand Drive (S/N S1563+)

(Applies to 3S-3000 HD, 3S-3000 HDF only)



21637

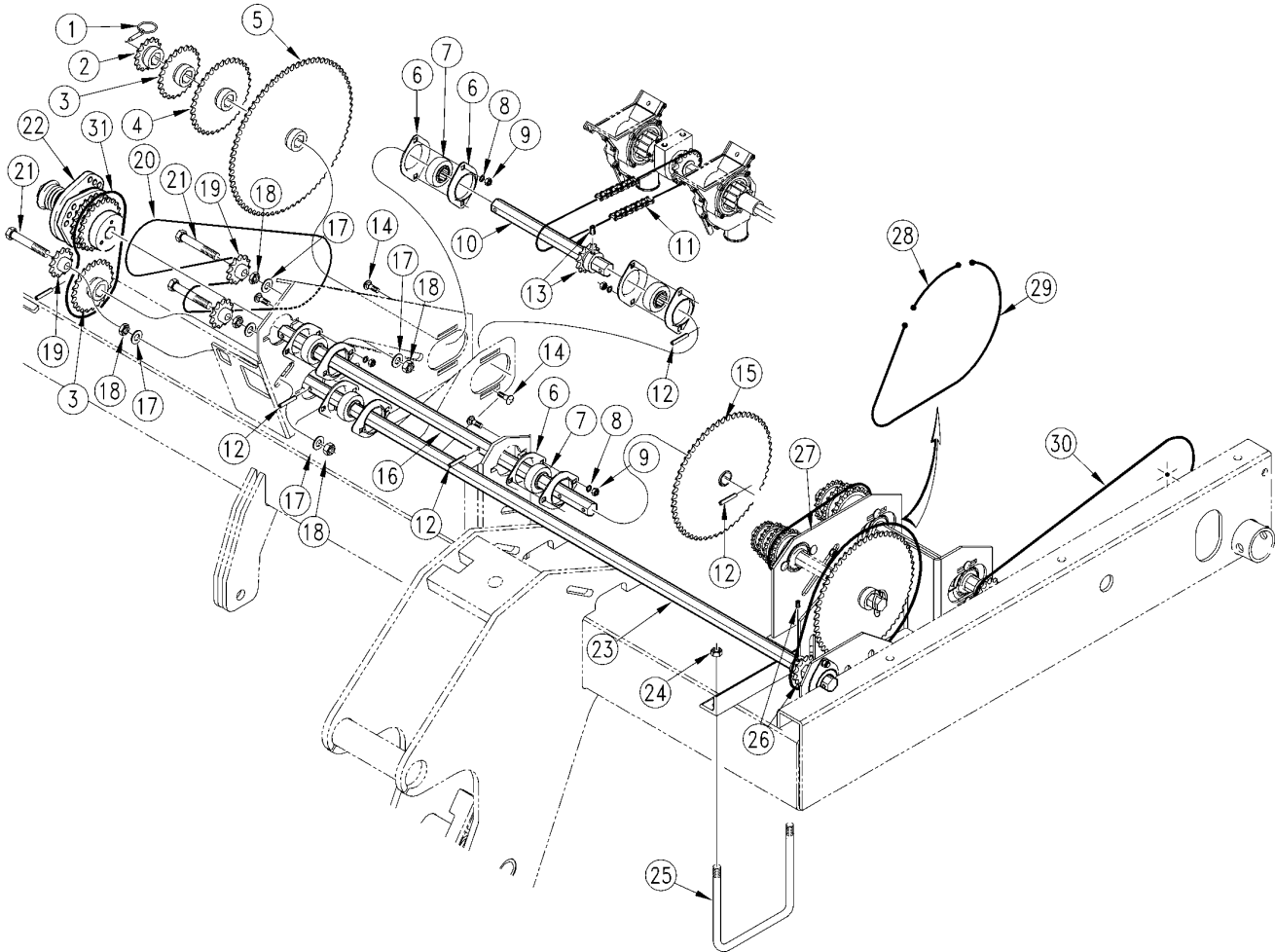
Left Hand Drive (S/N S1563+)

(Applies to 3S-3000 HD, 3S-3000 HDF only)

Ref	Part No.	Part Description	Comments	Revision
	dwg21637	Image No.		
1.	805-240C	PIN LYNCH 3/16 X 1 9/16 LONG		
2.	808-259C	SPKT 40B14 X 7/8 HEX BORE		
3.	808-256C	SPKT 40C23 X 7/8 HEX BORE		
4.	808-257C	SPKT 40B34 X 7/8 HEX BORE		
5.	808-258C	SPKT 40B72 X 7/8 HEX BORE		
6.	822-032C	FLANGETTE 52 MST		
7.	822-119C	BRG.7/8HEX BR 52MM SPHRICAL OD		
8.	804-009C	WASHER LOCK SPRING 5/16 PLT		
9.	803-008C	NUT HEX 5/16-18 PLT		
10.	195-169D	SEED JACK SHAFT 7/8 HEX WING		
11.	136-052D	CHAIN RL #40 69 PITCHES		2nd Revision.
11.	809-149C	CHAIN RL #40 X 68 P		1st Revision.
12.	805-180C	PIN ROLL 1/4 X 1 1/2 LG PLT		
13.	802-282C	RHSNB 5/16-18X1 GR5		
14.	195-139H	SPKT 40B57T WITH 7/8 HEX HUB	(S/N S2717-)	
14.	195-320S	SPKT 50C57 RATCHET DRIVE	(S/N S2718+) Includes items: 34-40	
15.	195-189D	POWER SHAFT 7/8 HEX LH	(S/N S2717-)	
15.	195-375D	POWER SHAFT 7/8 HEX LH	(S/N S2718+)	
16.	804-015C	WASHER LOCK SPRING 1/2 PLT		
17.	804-017C	WASHER FLAT 1/2 USS PLT		
18.	803-036C	NUT HEX JAM 1/2-13 PLT		
19.	817-025C	NO. 40 12T IDLER SPKT.		
20.	136-122D	CHAIN RL #40 129 PITCHES		
21.	802-041C	HHCS 1/2-13X3 1/2 GR5		
22.	802-004C	HHCS 1/4-20X3/4 GR5		
23.	804-006C	WASHER LOCK SPRING 1/4 PLT		
24.	808-240C	SPKT 40A23X1.813-1.818 BR/6HOL		
25.	176-042S	JAW CLUTCH CW EXT 7/8 HEX	Refer to Jaw Clutch for breakdown	
26.	800-058C	GREASE ZERK 1/4-28 X 45-DEG		
27.	808-143C	SPKT 40B12 7/8 HEX BORE W/SS		
28.	805-026C	PIN ROLL 1/4 X 3/4 PLT		
29.	802-413C	HHCS 1/2-13X4 1/2 GR5		
30.	803-169C	NUT HEX FLG. LOCK 1/2-13 PLT.		
31.	802-092C	RHSNB 5/16-18X3/4 GR5	(S/N S2718+)	
32.	195-376D	7/8 HEX WASHER X .21	(S/N S2718+)	
33.	804-061C	WASHER MACH 1.50 X 1.00 X 18GA	(S/N S2718+)	
34.	402-050D	CLUTCH, SIDE PLATE TAPPED		
35.	808-449C	SPKT 50A57 SPECIAL BORE		
36.	402-376D	POLYURETHANE ROD SPRING 5/16 L		
37.	890-954C	HUB RATCHET SPKT #50		
38.	403-751D	KEY RATCHET CLUTCH #50 SPKT		
39.	402-051D	CLUTCH, SIDE PLATE C/BORED		
40.	802-418C	SHCS 1/4-20X7/8		

Left Hand Drive Fertilizer (S/N S1562-)

(Applies to 3S-3000 HD, 3S-3000 HDF only)



16423

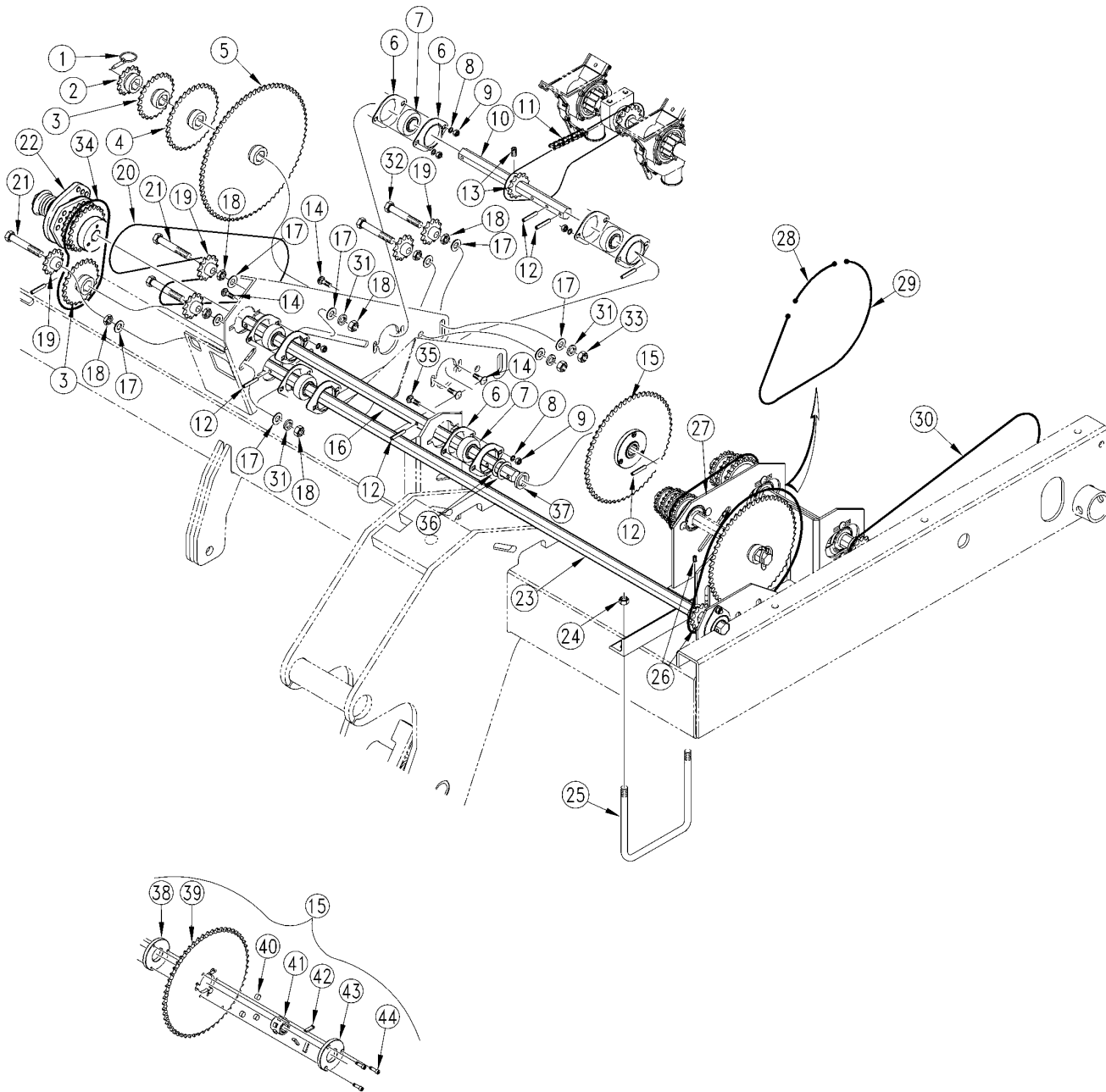
Left Hand Drive Fertilizer (S/N S1562-)

(Applies to 3S-3000 HD, 3S-3000 HDF only)

Ref	Part No.	Part Description	Comments	Revision
	dwg16423	Image No.		
1.	805-240C	PIN LINCH 3/16 X 1 9/16 LONG		
2.	195-137H	RPBY 808-259C		
3.	195-134H	SPKT 40B23T WITH 7/8 HEX HUB		
4.	195-135H	SPKT 40B34T WITH 7/8 HEX HUB		
5.	195-136H	RPBY 808-258C		
6.	822-032C	FLANGETTE 52 MST		
7.	822-119C	BRG 7/8HEXX2.05OD SPH		
8.	804-009C	WASHER LOCK SPRING 5/16 PLT		
9.	803-008C	NUT HEX 5/16-18 PLT		
10.	195-169D	SEED JACK SHAFT 7/8 HEX WING		
11.	809-149C	CHAIN RL #40 X 68 PITCH W/CON		
12.	805-180C	PIN ROLL 1/4 X 1 1/2 LG PLT		
13.	808-143C	SPKT 40B12 7/8 HEX BORE W/SS		
14.	802-282C	RHSNB 5/16-18X1 GR5		
15.	195-264H	SPKT 50A57 WITH 7/8 HEX HUB	S/N S1399+	
15.	195-139H	SPKT 40B57T WITH 7/8 HEX HUB	S/N S1398-	
16.	195-189D	POWER SHAFT 7/8 HEX LH		
17.	804-113C	WASHER FLAT 1/2 USS HARD PLT		
18.	803-036C	NUT HEX JAM 1/2-13 PLT		
19.	817-025C	NO. 40 12T IDLER SPKT.		
20.	809-164C	RPBY 136-122D		
21.	802-099C	HHCS 1/2-13X3 1/4 GR5		
22.	195-187K	3S-3000F LH WING CLUTCH ASSY	Refer to "Left Hand Wing Clutch Assy (195-187K)" for breakdown.	
23.	195-211D	HEX SHAFT 7/8, AUXILIARY POWER		
24.	803-019C	NUT LOCK 1/2-13 PLT		
25.	806-060C	U-BOLT 1/2-13 X 6 1/32 X 7 1/4		
26.	808-143C	SPKT 40B12 7/8 HEX BORE W/SS		
27.	195-184S	FERTILIZER DRIVE SUBASSY LH	Refer to "Fertilizer Drive Subassy (195-184S)" for breakdown.	
28.	809-146C	CHAIN RL #40 X 16 PITCH W/CON		
29.	809-160C	CHAIN RL #40 X 43 PITCH W/CON		
30.	809-045C	RPBY 136-044D		
31.	136-064D	CHAIN RL #40 51 PITCHES		

Left Hand Drive Fertilizer (S/N S1563+)

(Applies to 3S-3000 HD, 3S-3000 HDF only)



21638

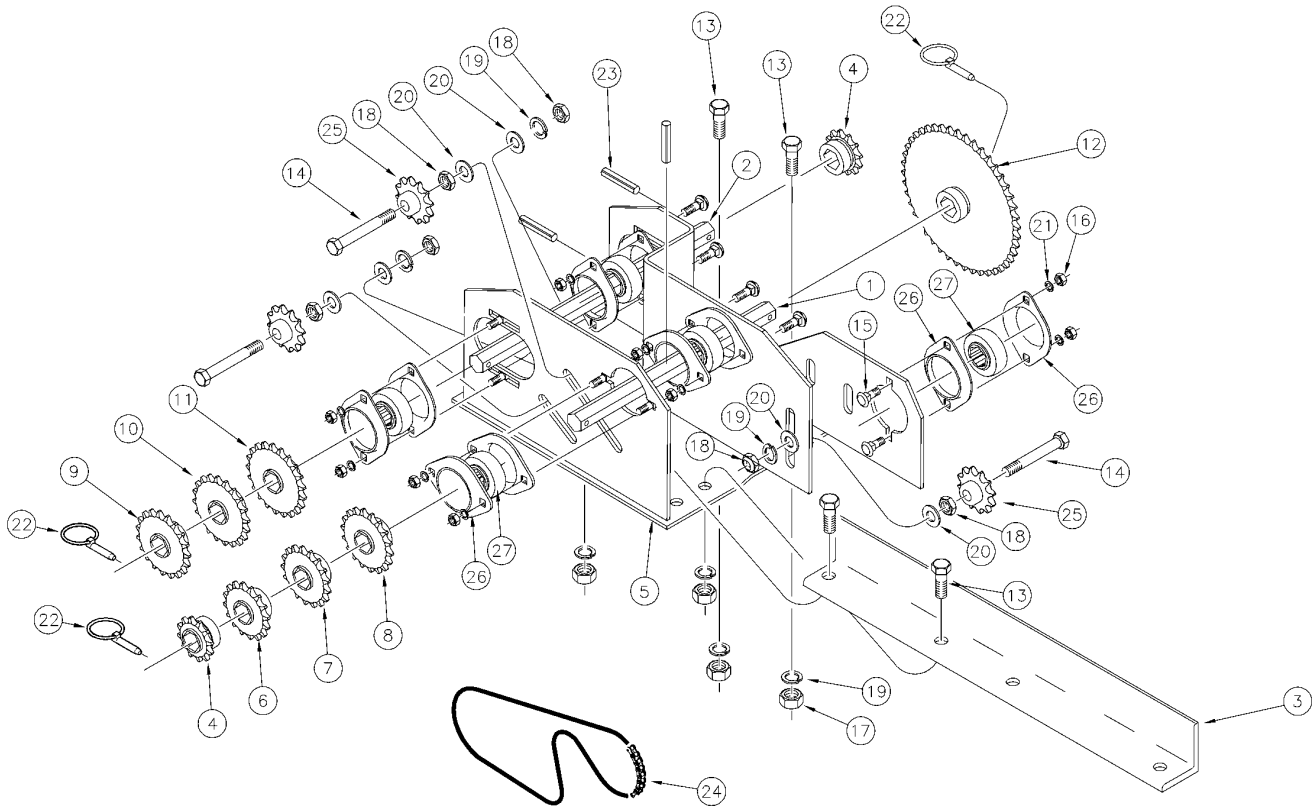
Left Hand Drive Fertilizer (S/N S1563+)

(Applies to 3S-3000 HD, 3S-3000 HDF only)

Ref	Part No.	Part Description	Comments	Revision
	dwg21638	Image No.		
1.	805-240C	PIN LYNCH 3/16 X 1 9/16 LONG		
2.	808-259C	SPKT 40B14 X 7/8 HEX BORE		
3.	808-256C	SPKT 40C23 X 7/8 HEX BORE		
4.	808-257C	SPKT 40B34 X 7/8 HEX BORE		
5.	808-258C	SPKT 40B72 X 7/8 HEX BORE		
6.	822-032C	FLANGETTE 52 MST		
7.	822-119C	BRG.7/8HEX BR 52MM SPHRICAL OD		
8.	804-009C	WASHER LOCK SPRING 5/16 PLT		
9.	803-008C	NUT HEX 5/16-18 PLT		
10.	195-169D	SEED JACK SHAFT 7/8 HEX WING		
11.	136-052D	CHAIN RL #40 69 PITCHES		2nd Revision
11.	809-149C	CHAIN RL #40 X 68 P		1st Revision
12.	805-180C	PIN ROLL 1/4 X 1 1/2 LG PLT		
13.	808-143C	SPKT 40B12 7/8 HEX BORE W/SS		
14.	802-282C	RHSNB 5/16-18X1 GR5		
15.	195-264H	SPKT 50A57 WITH 7/8 HEX HUB	(S/N S2717-)	
15.	195-320S	SPKT 50C57 RATCHET DRIVE	(S/N S2718+) Includes items: 38-44	
16.	195-189D	POWER SHAFT 7/8 HEX LH	(S/N S2717-)	
16.	195-375D	POWER SHAFT 7/8 HEX LH	(S/N S2718+)	
17.	804-113C	WASHER FLAT 1/2 USS HARD PLT		
18.	803-036C	NUT HEX JAM 1/2-13 PLT		
19.	817-025C	NO. 40 12T IDLER SPKT.		
20.	136-122D	CHAIN RL #40 129 PITCHES		
21.	802-041C	HHCS 1/2-13X3 1/2 GR5		
22.	195-187K	3S-3000F LH WING CLUTCH ASSY	Refer to Left Hand Wing Clutch Assembly (195-187K) for breakdown	
23.	195-211D	HEX SHAFT 7/8, AUXILIARY POWER		
24.	803-019C	NUT LOCK 1/2-13 PLT		
25.	806-060C	U-BOLT 1/2-13 X 6 1/32 X 7 1/4		
26.	808-143C	SPKT 40B12 7/8 HEX BORE W/SS		
27.	195-184S	FERTILIZER DRIVE SUBASSY LH	Refer to Fertilizer Drive Subassembly (195-184S) for breakdown	
28.	809-146C	CHAIN RL #40 X 16 PITCHES	(S/N S1401-) Used with 136-118D	
29.	136-151D	CHAIN RL #40 59 PITCHES		3rd Revision
29.	136-118D	CHAIN RL #40 43 PITCHES		2nd Revision
30.	136-207D	CHAIN RL #40 109 PITCHES W/CON		3rd Revision
30.	136-044D	CHAIN RL #40 109 PITCHES		2nd Revisions
31.	804-015C	WASHER LOCK SPRING 1/2 PLT		
32.	802-413C	HHCS 1/2-13X4 1/2 GR5		
33.	803-169C	NUT HEX FLG. LOCK 1/2-13 PLT.		
34.	136-064D	CHAIN RL #40 51 PITCHES		
35.	802-092C	RHSNB 5/16-18X3/4 GR5	(S/N S2718+)	
36.	804-061C	WASHER MACH 1.50 X 1.00 X 18GA	(S/N S2718+)	
37.	195-376D	7/8 HEX WASHER X .21	(S/N S2718+)	
38.	402-050D	CLUTCH, SIDE PLATE TAPPED		
39.	808-449C	SPKT 50A57 SPECIAL BORE		
40.	402-376D	POLYURETHANE ROD SPRING 5/16 L		
41.	890-954C	HUB RATCHET SPKT #50		
42.	403-751D	KEY RATCHET CLUTCH #50 SPKT		
43.	402-051D	CLUTCH, SIDE PLATE C/BORED		
44.	802-418C	SHCS 1/4-20X7/8		

Fertilizer Drive Subassy (195-184S)

(Applies to 3S-3000 HD, 3S-3000 HDF only)



16476

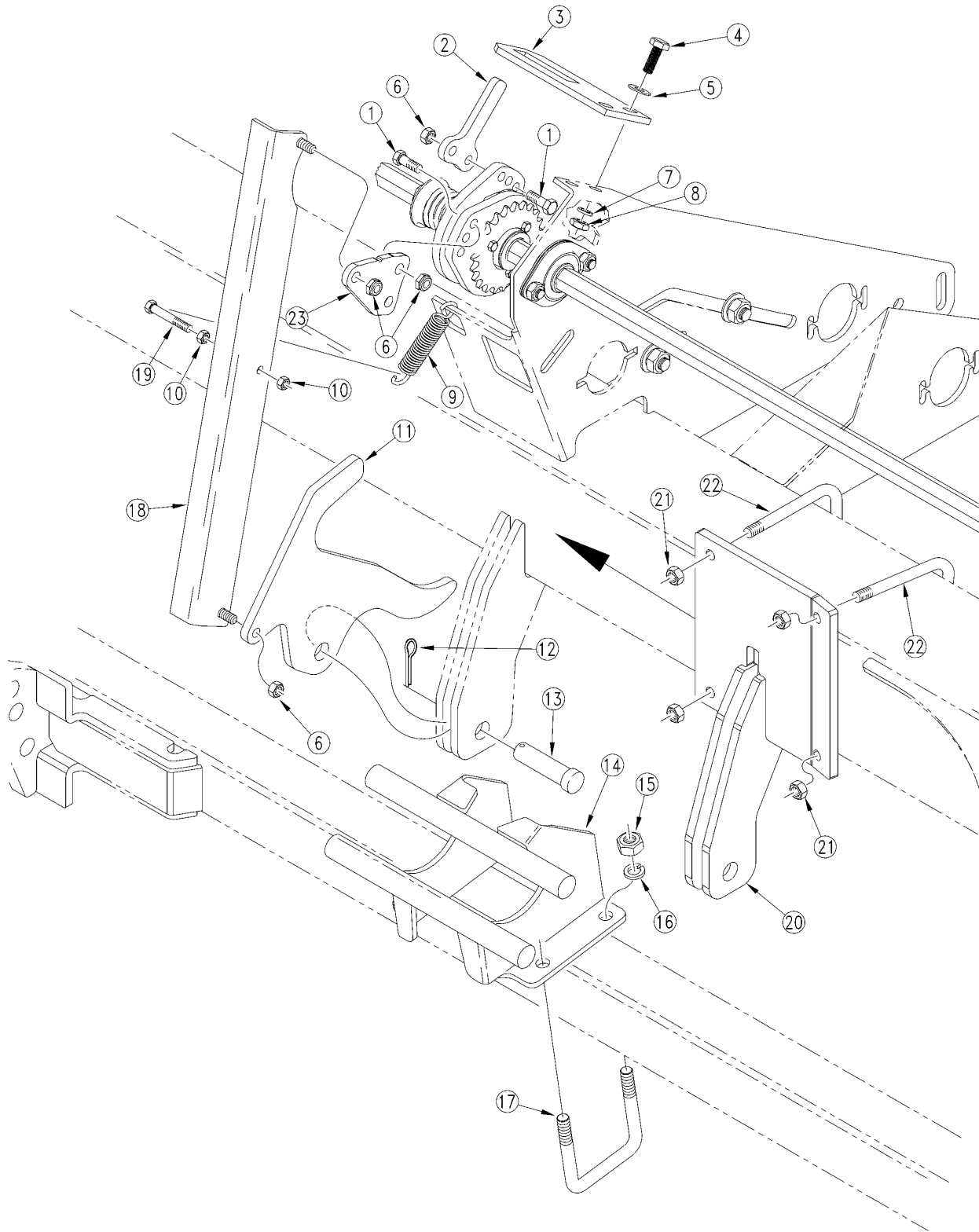
Fertilizer Drive Subassy (195-184S)

(Applies to 3S-3000 HD, 3S-3000 HDF only)

Ref	Part No.	Part Description	Comments	Revision
	dwg16476	Image No.		
4.	808-260C	SPKT 40B12 X 7/8 HEX BORE		
4.	330-404H	LEVEL ROD SHORT 1"	For 1" leveling rod	
4.	195-138H	RPBY 808-260C		
5.	326-892K	LEVEL ROD ASY	1" leveling rod kit	
5.	195-145H	FERTILIZER DRIVE WELDMENT LH		
6.	195-153H	SPKT 40B16T X 7/8 HEX BORE		
7.	326-893H	1" LEVEL ROD	1" leveling rod	
7.	195-154H	SPKT 40B17T X 7/8 HEX BORE		
8.	195-155H	SPKT 40B18T X 7/8 HEX BORE		
11.	803-030C	NUT HEX JAM 1-8 PLT	For 1" leveling rod	
11.	195-158H	SPKT 40B21T X 7/8 HEX BORE		
12.	195-159H	SPKT 40B44T X 7/8 HEX BORE		
13.	803-375C	NUT HEX COUPLER 1-8 X 5	For 1" leveling rod	
13.	802-034C	HHCS 1/2-13X1 1/4 GR5		
14.	802-099C	HHCS 1/2-13X3 1/4 GR5		
15.	802-282C	RHSNB 5/16-18X1 GR5		
16.	803-008C	NUT HEX 5/16-18 PLT		
17.	803-020C	NUT HEX 1/2-13 PLT		
18.	803-036C	NUT HEX JAM 1/2-13 PLT		
19.	804-015C	WASHER LOCK SPRING 1/2 PLT		
20.	804-113C	WASHER FLAT 1/2 USS HARD PLT		
21.	804-009C	WASHER LOCK SPRING 5/16 PLT		
22.	805-240C	PIN LINCH 3/16 X 1 9/16 LONG		
23.	805-180C	PIN ROLL 1/4 X 1 1/2 LG PLT		
24.	136-027D	CHAIN RL #40 57 PITCHES		
24.	136-127D	RPBY 136-027D		
24.	809-171C	RPBY 136-127D		
25.	817-025C	NO. 40 12T IDLER SPKT.		
26.	822-032C	FLANGETTE 52 MST		
27.	822-119C	BRG 7/8HEXX2.05OD SPH		

Clutch Linkage

(Applies to 3S-3000 HD, 3S-3000 HDF only)



15463

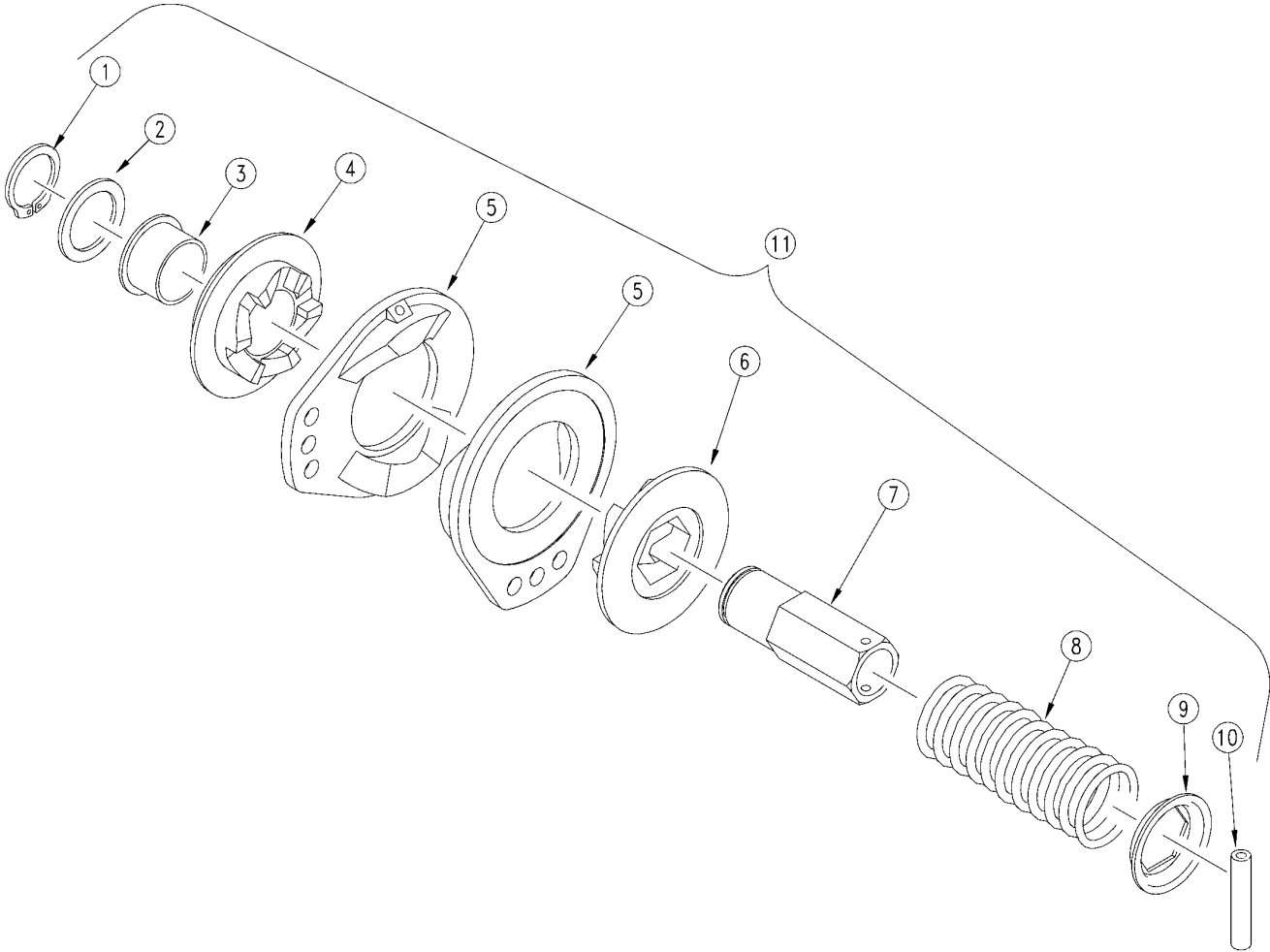
Clutch Linkage

(Applies to 3S-3000 HD, 3S-3000 HDF only)

Ref	Part No.	Part Description	Comments	Revision
	dwg15463	Image No.		
1.	802-017C	HHCS 3/8-16X1 GR5		
2.	152-262D	CLUTCH ENGAGE ARM		
3.	152-263D	CLUTCH ENGAGE TAB		
4.	802-079C	HHCS 3/8-16X1 1/4 GR5		
5.	804-011C	WASHER FLAT 3/8 USS PLT		
6.	803-215C	NUT NYLOCK JAM THIN 3/8-16 PLT		
7.	804-013C	WASHER LOCK SPRING 3/8 PLT		
8.	803-014C	NUT HEX 3/8-16 PLT		
9.	807-072C	SPRING EXT 1 1/16 ODX.120WX5.5		
10.	803-008C	NUT HEX 5/16-18 PLT		
11.	195-144D	CLUTCH SHUTOFF CAM, 00 SERIES		
12.	805-109C	PIN COTTER 1/8 X 1 1/4 PLT		
13.	805-083C	PIN CLEVIS 3/4 X 1 1/2		
14.	195-131H	SUBFRM CLUTCH BRKT,SOLID STAND		
15.	803-020C	NUT HEX 1/2-13 PLT		
16.	804-015C	WASHER LOCK SPRING 1/2 PLT		
17.	806-109C	RPBY 806-066C		
18.	195-130H	CLUTCH SHUTOFF LINK, 00 SERIES		
19.	802-012C	HHCS 5/16-18X1 1/2 GR5		
20.	195-190H	CLUTCH SHUTOFF CAM PIVOT BRKT	Used only with Point Row on center section.	
21.	803-013C	NUT LOCK 3/8-16 PLT	Used only with Point Row on center section.	
22.	806-051C	U-BOLT 3/8-16 X 6 1/32 X 7	Used only with Point Row on center section.	
23.	195-254D	CLUTCH PULL TAB		

Jaw Clutch S/N S1021-

(Applies to 3S-3000 HD, 3S-3000 HDF only)



10249

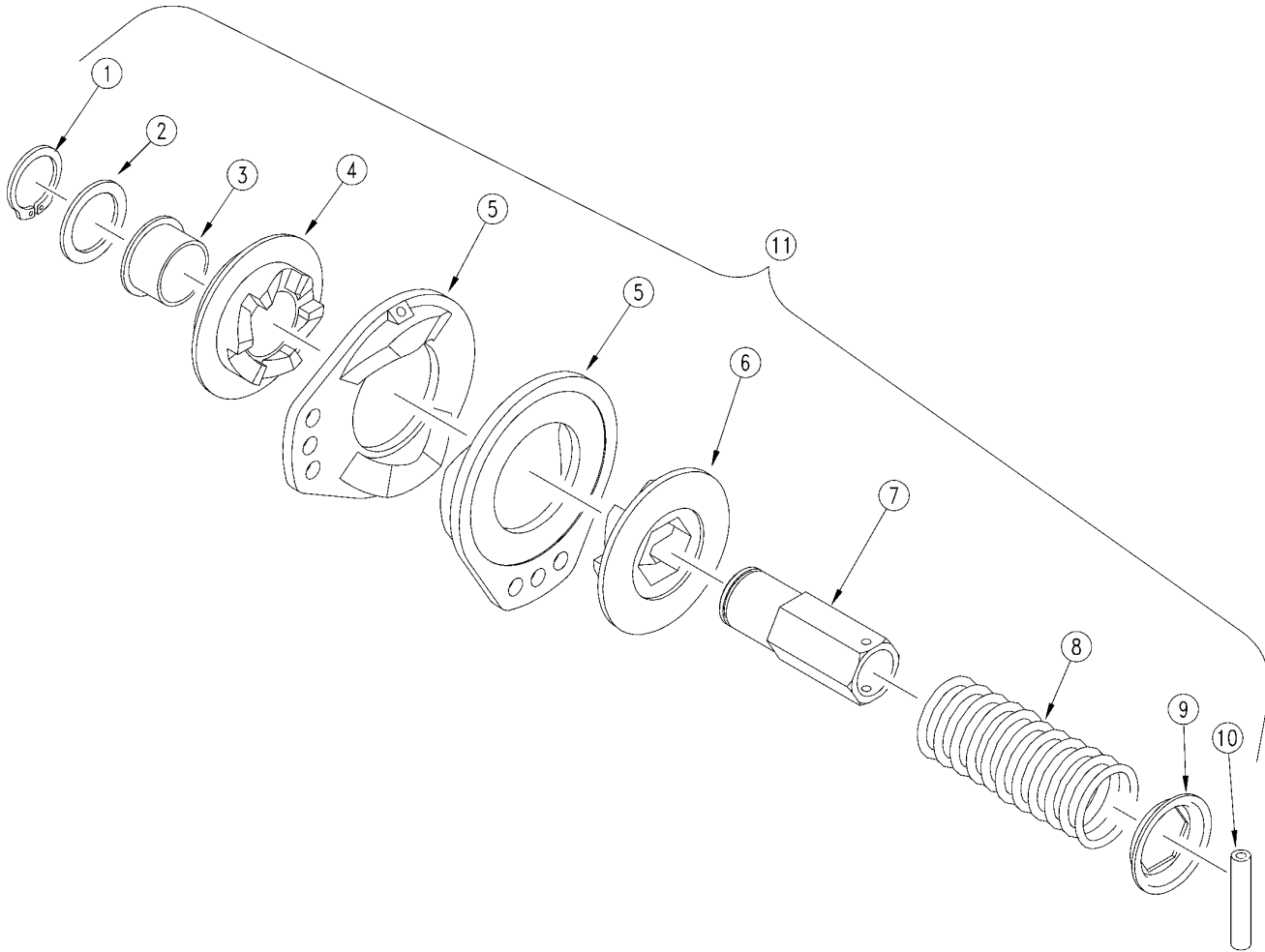
Jaw Clutch S/N S1021-

(Applies to 3S-3000 HD, 3S-3000 HDF only)

Ref	Part No.	Part Description	Comments	Revision
	dwg10249	Image No.		
1.	800-177C	SNAP RING EXT 1 1/4 HEAVY		
2.	176-065D	CLUTCH FRICTION WASHER		
3.	817-111C	BSHG FLG 1.26IDX1.41ODX.87L		
4.	176-081D	CLUTCH DRIVE PLATE - CW	Must order #5, #6, & #7 also 1st time	
5.	176-080D	CLUTCJ ARM PLATE	Must order #4, #6, & #7 also 1st time	
6.	176-076D	CLUTCH SLIDE PLATE - CW	Must order #4, #5, & #7 also 1st time	
7.	176-084D	CLUTCH HUB 7/8 HEX BORE	Must order #4, #5, & #6 also 1st time	
8.	807-097C	SPRING COMP 2 1/16 OD X 4 LG		
9.	176-066D	CLUTCH SPRING RETAINER		
10.	805-024C	PIN ROLL 3/16X 1 1/2 PLT		
11.	176-044S	JAW CLUTCH CW 7/8 HEX SHORT	Includes items 1 through 10	

Jaw Clutch S/N S1022+ (Includes Fertilizer Drills)

(Applies to 3S-3000 HD, 3S-3000 HDF only)



10249

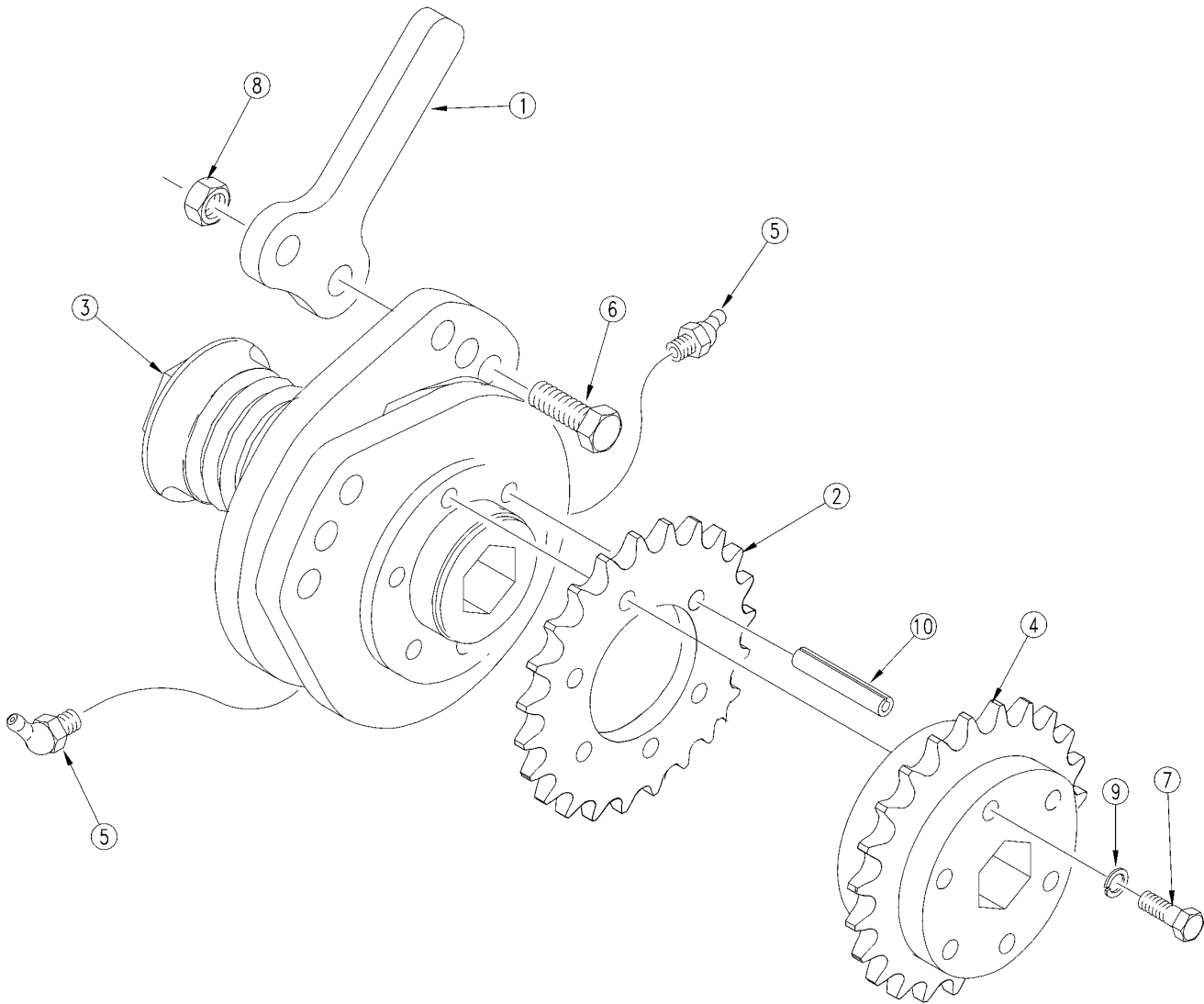
Jaw Clutch S/N S1022+ (Includes Fertilizer Drills)

(Applies to 3S-3000 HD, 3S-3000 HDF only)

Ref	Part No.	Part Description	Comments	Revision
	dwg10249	Image No.		
1.	800-177C	SNAP RING EXT 1 1/4 HEAVY		
2.	176-065D	CLUTCH FRICTION WASHER		
3.	817-111C	BSHG FLG 1.26IDX1.41ODX.87L		
4.	176-078D	CLUTCH DRIVE PLATE LONG - CW		
5.	176-080D	CLUTCH ARM PLATE		
6.	176-076D	CLUTCH SLIDE PLATE - CW		
7.	176-084D	CLUTCH HUB 7/8 HEX BORE		
8.	807-097C	SPRING COMP 2 1/16 OD X 4 LG		
9.	176-066D	CLUTCH SPRING RETAINER		
10.	805-024C	PIN ROLL 3/16X 1 1/2 PLT		
11.	176-042S	JAW CLUTCH CW EXT 7/8 HEX	Includes items 1 through 10	

Right Hand Wing Clutch Fertilizer (195-186K)

(Applies to 3S-3000 HD, 3S-3000 HDF only)



16452

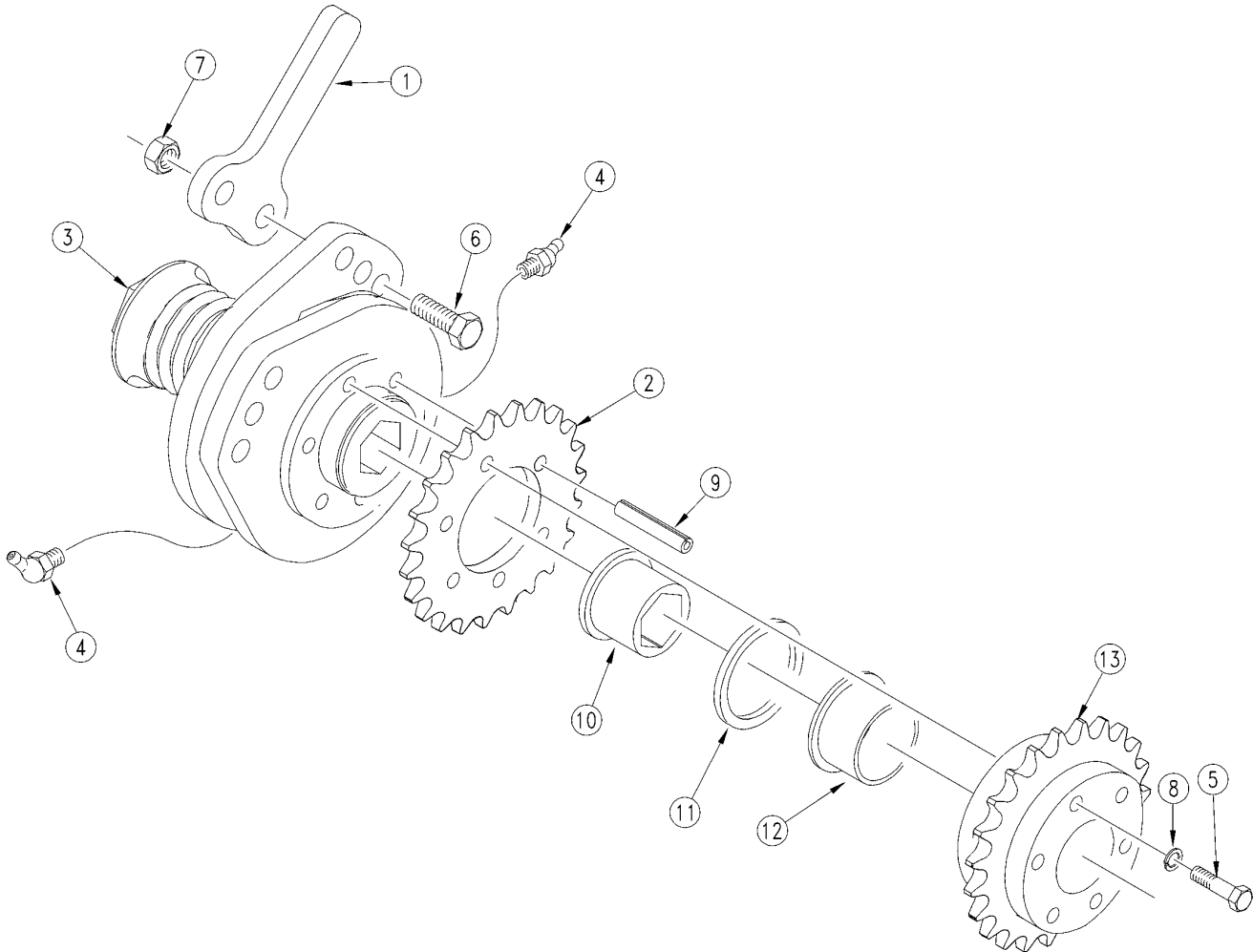
Right Hand Wing Clutch Fertilizer (195-186K)

(Applies to 3S-3000 HD, 3S-3000 HDF only)

Ref	Part No.	Part Description	Comments	Revision
	dwg16452	Image No.		
1.	152-262D	CLUTCH ENGAGE ARM		
2.	808-240C	SPKT 40A23X1.813-1.818 BR/6HOL		
3.	176-042S	JAW CLUTCH CW EXT 7/8 HEX		
4.	195-161H	SPKT CLUTCH 40B23T HEX BORE		
5.	800-058C	GREASE ZERK 1/4-28 X 45-DEG		
6.	802-017C	HHCS 3/8-16X1 GR5		
7.	802-551C	HHCS 1/4-20X2 1/4 GR5		
8.	803-215C	NUT NYLOCK JAM THIN 3/8-16 PLT		
9.	804-006C	WASHER LOCK SPRING 1/4 PLT		
10.	805-180C	PIN ROLL 1/4 X 1 1/2 LG PLT		

Left Hand Wing Clutch Fertilizer (195-187K)

(Applies to 3S-3000 HD, 3S-3000 HDF only)



16465

Left Hand Wing Clutch Fertilizer (195-187K)

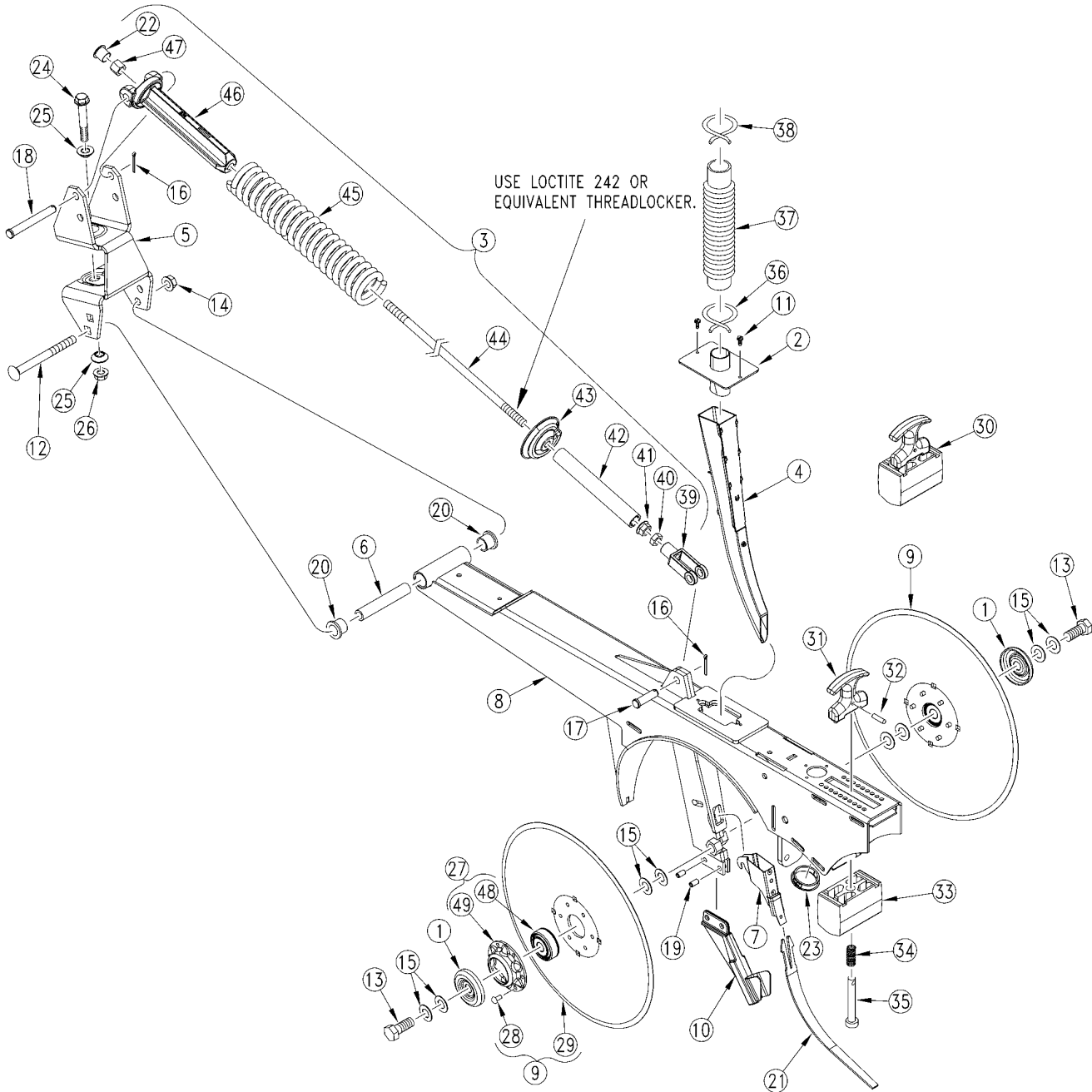
(Applies to 3S-3000 HD, 3S-3000 HDF only)

Ref	Part No.	Part Description	Comments	Revision
	dwg16465	Image No.		
1.	152-262D	CLUTCH ENGAGE ARM		
2.	808-240C	SPKT 40A23X1.813-1.818 BR/6HOL		
3.	176-042S	JAW CLUTCH CW EXT 7/8 HEX		
4.	800-058C	GREASE ZERK 1/4-28 X 45-DEG		
5.	802-152C	HHCS 1/4-20X2 GR5		
6.	802-017C	HHCS 3/8-16X1 GR5		
7.	803-215C	NUT NYLOCK JAM THIN 3/8-16 PLT		
8.	804-006C	WASHER LOCK SPRING 1/4 PLT		
9.	805-180C	PIN ROLL 1/4 X 1 1/2 LG PLT		
10.	195-222D	BEARING 7/8 HEX ID X 1.254 OD		
11.	176-065C	CLUTCH FRICTION WASHER		
12.	817-111C	BSHG FLG 1.26IDX1.41ODX.87L		
13.	195-160H	SPKT CLUTCH 40B23T RND BORE		

Table of Contents Part Number Index

HD 00 Series Long Arm Opener (S/N S2242-)

(Applies to 3S-3000 HD, 3S-3000 HDF only)



24426

HD 00 Series Long Arm Opener (S/N S2242-)

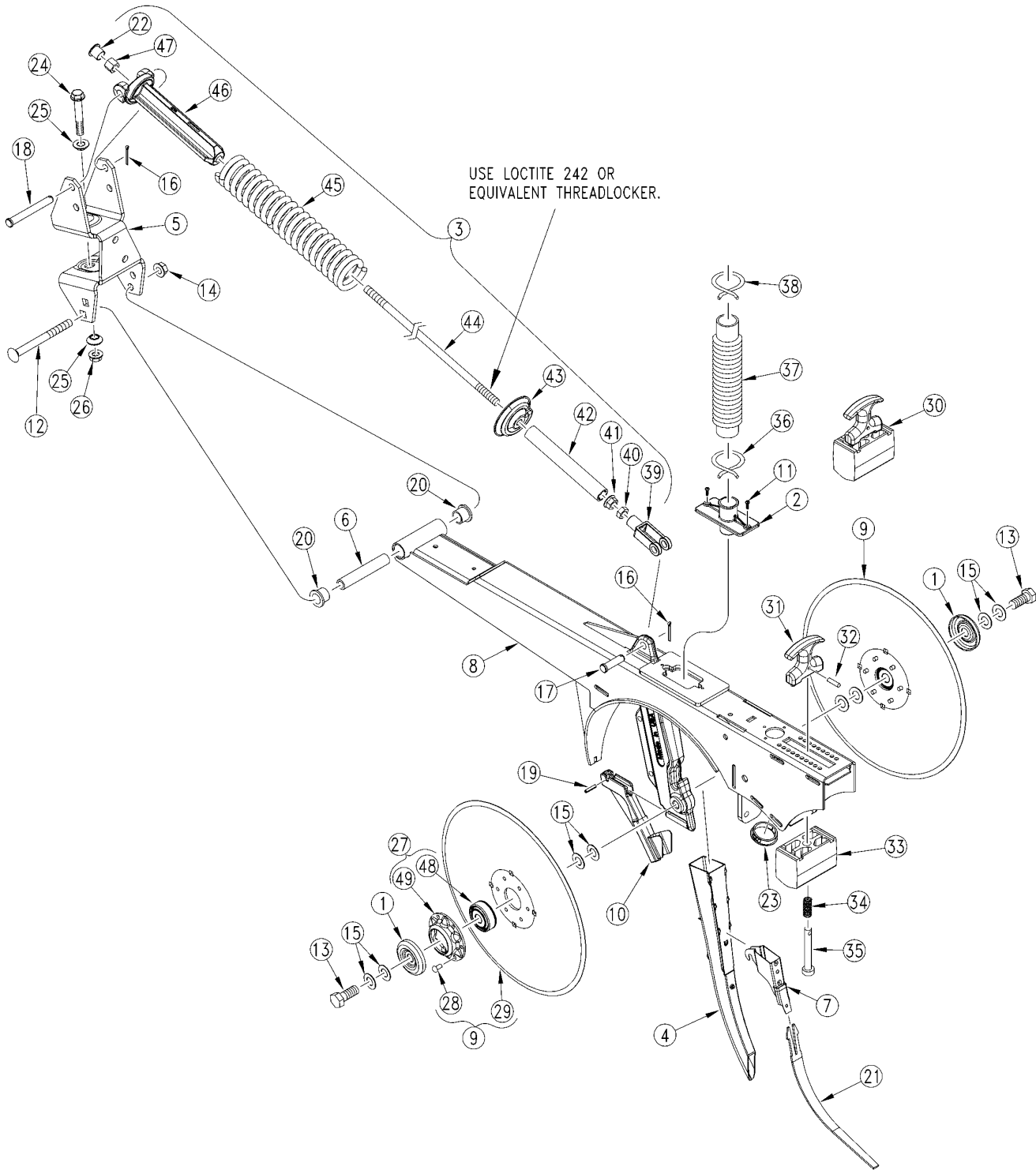
(Applies to 3S-3000 HD, 3S-3000 HDF only)

Ref	Part No.	Part Description	Comments	Revision
	dwg24426	Image No.		
1.	107-111D	DD BRG FLANGE DUST COVER		
2.	817-704C	UPPER SEED TUBE CAP		
3.	121-005S	OPENER SPRING ROD ASSY. LONG.		
4.	817-697C	HD 00 SEED TUBE ASSEMBLY		
5.	121-151D	OPENER MOUNTING BRACKET		
6.	142-198D	STRAIGHT ARM OPENER PIVOT PIPE		
7.	198-331D	SEED TUBE 25S HOOK CLIP		
8.	221-131H	OPENER WELDMENT-HD 00 LONG		
9.	404-121S	4.0 MM 15 DISC W/ 5/8 ASSY	Includes items 27-29	
10.	404-170H	25P SCRAPER SEPARATOR WLDMT		
11.	801-172C	SCREW HEX SLT 10-16X3/4PTHD CT		
12.	802-121C	RHSNB 1/2-13X5 1/2 GR5		
13.	802-228C	HHCS 5/8-11X1 1/2 GR5 NYL		
14.	803-169C	NUT HEX FLG. LOCK 1/2-13 PLT.		
15.	804-040C	WASHER MACH 1.19 X .63 X 18GA		
16.	805-109C	PIN COTTER 1/8 X 1 1/4 PLT		
17.	805-127C	PIN CLEVIS 1/2 X 1 3/4		
18.	805-234C	PIN CLEVIS 1/2 X 4 PLATED		
19.	805-335C	PIN ROLL 5/16 X 5/8 PLT		
20.	817-084C	PARALLEL ARM PIVOT BUSHING		
21.	817-349C	SEED FLAP, UHMW, LONG	For use without Seed-Lok or Keeton Seed Firmer	
21.	816-536C	SEED FLAP-RUBBER, SEED-LOK LNG	For use with Seed-Lok	
22.	816-306C	PLUG, SPRING ROD CASTING		
23.	817-688C	HOLE PLUG 1 3/4		
24.	802-045C	HHCS 1/2-13X5 GR5		
25.	804-154C	WASHER POWDER METAL CONE 1/2		
26.	803-037C	NUT HEX WHIZ 1/2-13 PLT		
27.	107-137V	FLANGE AND BEARING ASSY		
28.	800-213C	RIVET,BUTTON HEAD 1/4 X 1/2		
29.	820-287C	4.0 MM 15 DISK (21 DEG BEVEL)		
30.	122-001S	PW ADJUST TRUNION ASSY		
31.	817-328C	T-HANDLE ASSEMBLY		
32.	805-186C	PIN ROLL 5/32 X 5/8 PLT		
33.	817-347C	OPENER TRUNION		
34.	807-106C	SPRING .540 O.D.X 1 1/4 X.054W		
35.	805-385C	PIN CLEVIS 3/8 X 3 PLT		
36.	800-292C	HOSE CLAMP 1 13/32 NO. 22		
37.	816-239C	SEED HOSE 56 RIBS X 11 LONG		
38.	800-009C	CLAMP HOSE 1 5/8 NO. 26		
39.	121-044D	ADJ.YOKE END 11/16" OPENING		
40.	803-036C	NUT HEX JAM 1/2-13 PLT		
41.	803-193C	NUT HEX FLANGE 1/2-13 GR G PLT		
42.	121-169D	SPACER TB ALUM 1ODX 1/2 X 7.28		
43.	121-154D	SPRING STOP STAMPING		
44.	800-322C	STUD 1/2-13X17.6 SPTHD DBBLEND		
45.	807-262C	SPRING COMP 2.56ODX.393X12.875		
46.	812-236C	OPNR SPRING RD TRUNION CASTING		
47.	803-310C	NUT HEX 1/2-20 X 5/8 HIGH		
48.	188-001V	BEARING AA205DD		
49.	890-466C	HSG RIBB FLG 6BOLT PLT		

Table of Contents Part Number Index

HD 00 Series Long Arm Opener (S/N S2243 - S2493)

(Applies to 3S-3000 HD, 3S-3000 HDF only)



29469

HD 00 Series Long Arm Opener (S/N S2243 - S2493)

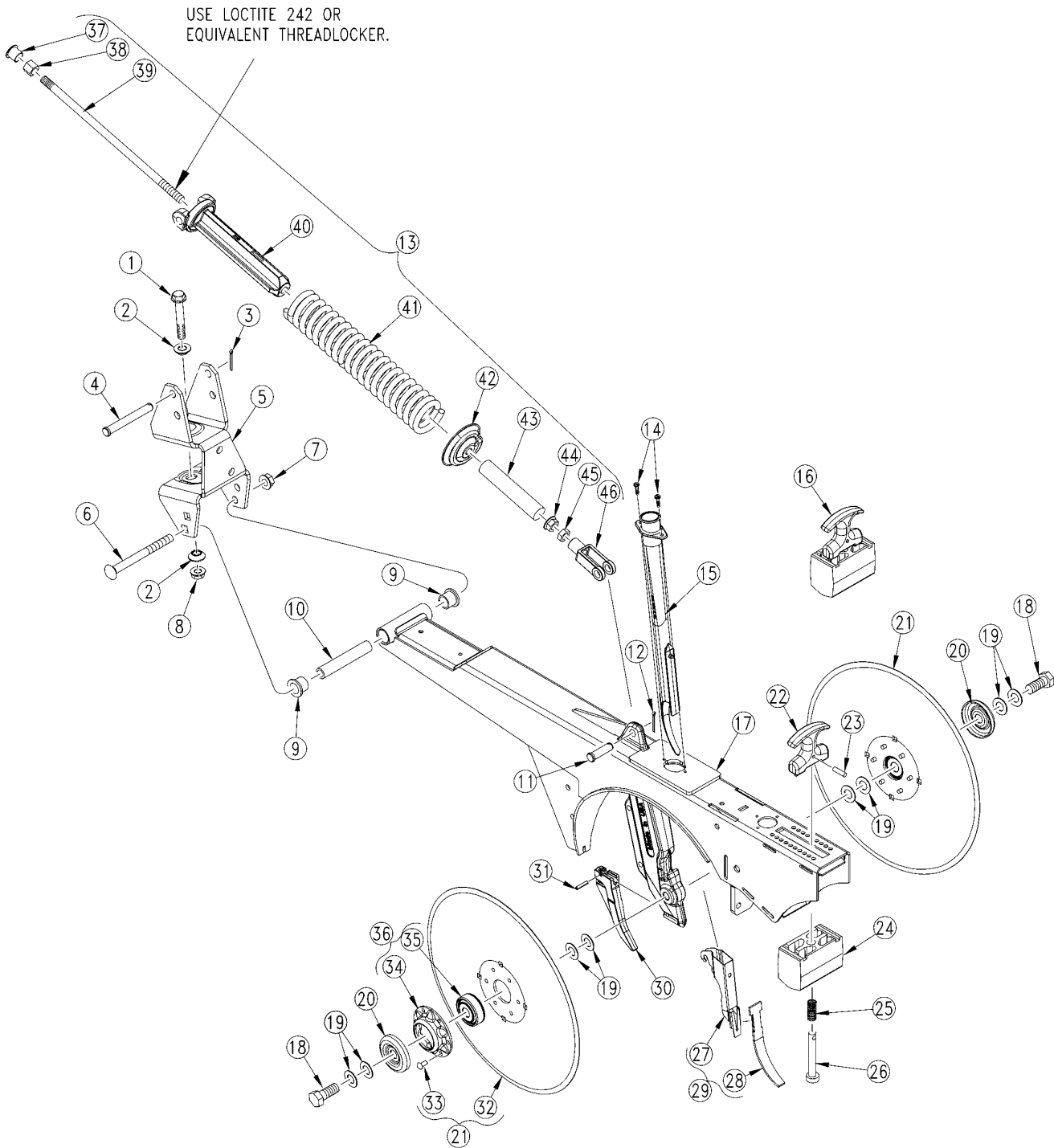
(Applies to 3S-3000 HD, 3S-3000 HDF only)

Ref	Part No.	Part Description	Comments	Revision
	dwg29469	Image No.		
1.	107-111D	DD BRG FLANGE DUST COVER		
2.	817-704C	UPPER SEED TUBE CAP		
3.	121-005S	OPENER SPRING ROD ASSY. LONG.		
4.	817-697C	HD 00 SEED TUBE ASSEMBLY		
5.	121-151D	OPENER MOUNTING BRACKET		
6.	142-198D	STRAIGHT ARM OPENER PIVOT PIPE		
7.	198-331D	SEED TUBE 25S HOOK CLIP		
8.	221-642H	OPENER WELD HD 00 LONG		
9.	404-121S	4.0 MM 15 DISC W/ 5/8 ASSY	Includes items 27-29	
10.	121-008H	SCRAPER SEPARATOR WELD		
11.	801-172C	SCREW HEX SLT 10-16X3/4PTHD CT		
12.	802-121C	RHSNB 1/2-13X5 1/2 GR5		
13.	802-228C	HHCS 5/8-11X1 1/2 GR5 NYL		
14.	803-169C	NUT HEX FLG. LOCK 1/2-13 PLT.		
15.	804-040C	WASHER MACH 1.19 X .63 X 18GA		
16.	805-109C	PIN COTTER 1/8 X 1 1/4 PLT		
17.	805-127C	PIN CLEVIS 1/2 X 1 3/4		
18.	805-234C	PIN CLEVIS 1/2 X 4 PLATED		
19.	805-026C	PIN ROLL 1/4 X 3/4 PLT		
20.	817-084C	PARALLEL ARM PIVOT BUSHING		
21.	817-349C	SEED FLAP, UHMW, LONG	S/N S2362-	
21.	816-536C	SEED FLAP-RUBBER, SEED-LOK LNG	S/N S2363+	
22.	816-306C	PLUG, SPRING ROD CASTING		
23.	817-688C	HOLE PLUG 1 3/4		
24.	802-045C	HHCS 1/2-13X5 GR5		
25.	804-154C	WASHER POWDER METAL CONE 1/2		
26.	803-037C	NUT HEX WHIZ 1/2-13 PLT		
27.	107-137V	FLANGE AND BEARING ASSY		
28.	800-213C	RIVET,BUTTON HEAD 1/4 X 1/2		
29.	820-287C	4.0 MM 15 DISK (21 DEG BEVEL)		
30.	122-001S	PW ADJUST TRUNION ASSY		
31.	817-328C	T-HANDLE ASSEMBLY		
32.	805-186C	PIN ROLL 5/32 X 5/8 PLT		
33.	817-347C	OPENER TRUNION		
34.	807-106C	SPRING .540 O.D.X 1 1/4 X.054W		
35.	805-385C	PIN CLEVIS 3/8 X 3 PLT		
36.	800-008C	CLAMP HOSE 1 1/2 NO. 24		
37.	816-239C	SEED HOSE 56 RIBS X 11 LONG		
38.	800-009C	CLAMP HOSE 1 5/8 NO. 26		
39.	121-044D	ADJ. YOKE END, 11/16" OPENING		
40.	803-036C	NUT HEX JAM 1/2-13 PLT		
41.	803-193C	NUT HEX FLANGE 1/2-13 GR G PLT		
42.	121-169D	SPACER TB ALUM 1ODX 1/2 X 7.28		
43.	121-154D	SPRING STOP STAMPING		
44.	800-322C	STUD 1/2-13X17.6 SPTHD DBBLEND		
45.	807-262C	SPRING COMP 2.56ODX.393X12.875		
46.	812-236C	OPNR SPRING RD TRUNION CASTING		
47.	803-310C	NUT HEX 1/2-20 X 5/8 HIGH		
48.	188-001V	BRG AA205DD		
49.	890-466C	HSG RIBB FLG 6BOLT PLT		

Table of Contents Part Number Index

HD 00 Series Long Arm Opener (S/N S2494+)

(Applies to 3S-3000 HD, 3S-3000 HDF only)



32130

HD 00 Series Long Arm Opener (S/N S2494+)

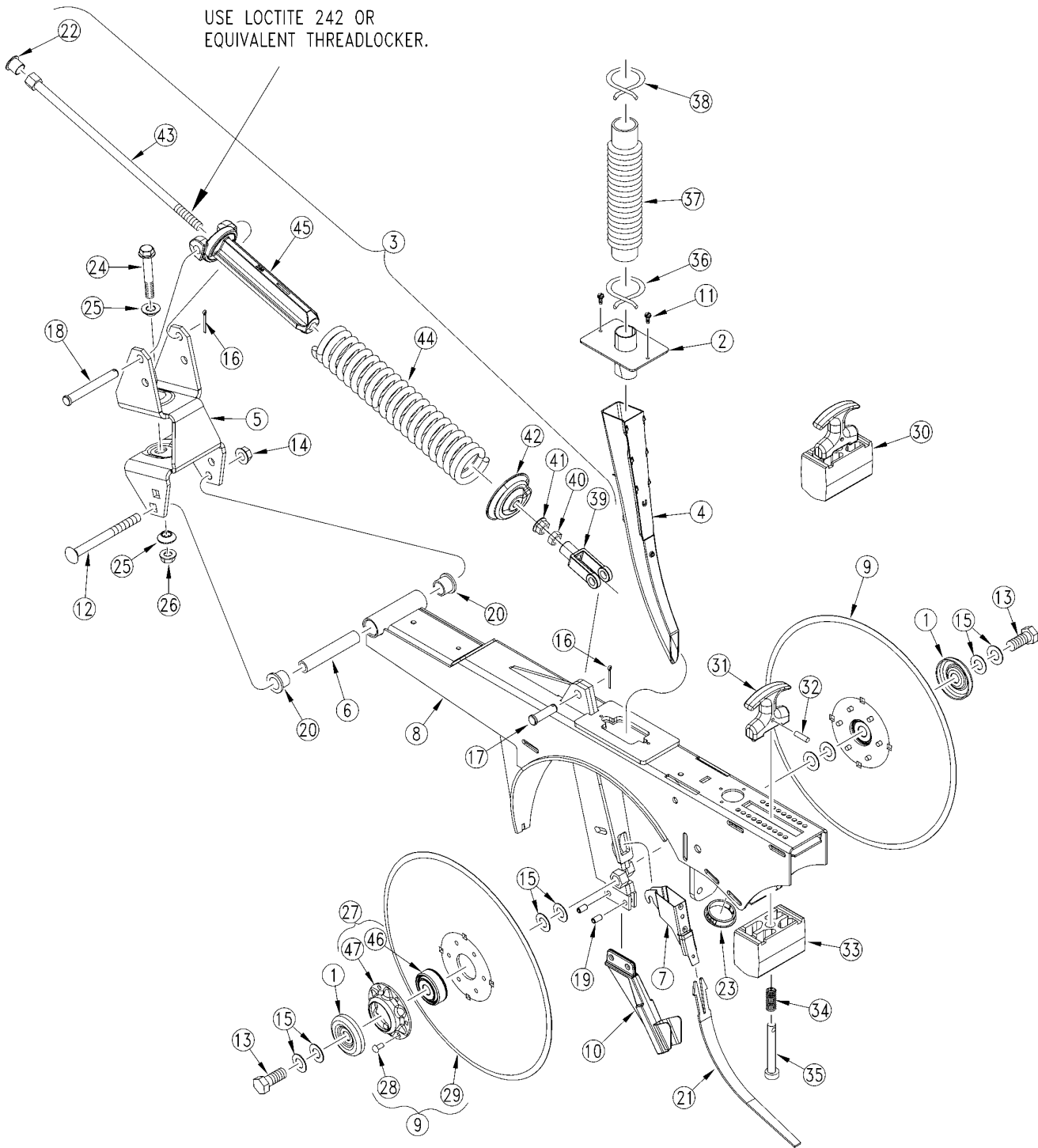
(Applies to 3S-3000 HD, 3S-3000 HDF only)

Ref	Part No.	Part Description	Comments	Revision
	dwg32130	Image No.		
1.	802-045C	HHCS 1/2-13X5 GR5		
2.	804-154C	WASHER POWDER METAL CONE 1/2		
3.	805-109C	PIN COTTER 1/8 X 1 1/4 PLT		
4.	805-234C	PIN CLEVIS 1/2 X 4 PLATED		
5.	121-151D	OPENER MOUNTING BRACKET		
6.	802-121C	RHSNB 1/2-13X5 1/2 GR5		
7.	803-169C	NUT HEX FLG LOCK 1/2-13 PLT		
8.	803-037C	NUT HEX WHIZ 1/2-13 PLT		
9.	817-084C	PARALLEL ARM PIVOT BUSHING		
10.	142-198D	STRAIGHT ARM OPENER PIVOT PIPE		
11.	805-127C	PIN CLEVIS 1/2 X 1 3/4		
12.	805-109C	PIN COTTER 1/8 X 1 1/4 PLT		
13.	121-005S	HD OPENER SPRING ROD ASY LONG	Includes items 37-46	
14.	801-172C	SCREW HEX SLT 10-16X3/4PTHD CT		
15.	817-897C	00HD OPENER SEED TUBE		
16.	122-001S	HD PW ADJUST TRUNION ASY		
17.	221-695H	OPENER 00HD LONG NARROW BA		
18.	802-228C	HHCS 5/8-11X1 1/2 GR5 NYL		
19.	804-040C	WASHER MACH 1.19 X .63 X 18GA		
20.	107-111D	DD BRG FLANGE DUST COVER		
21.	404-121S	4.0 MM 15 DISC W/ 5/8 ASSY	Includes items 32 & 33	
22.	817-328C	T-HANDLE ASSEMBLY		
23.	805-168C	PIN HITCH 1 7/16 X 8 3/8 PLT		
24.	817-347C	OPENER TRUNION		
25.	807-106C	SPRING .540 O.D.X 1 1/4 X.054W		
26.	805-385C	PIN CLEVIS 3/8 X 3 PLT		
27.	121-176D	00HD SEED TUBE CLIP		
28.	816-302C	SEED FLAP, RUBBER, SEED-LOK		
29.	221-730S	00HD NARROW SEED TB CLIP/FLAP	Includes items 27 & 28	
30.	812-394C	NARROW HD OPENER LOWER SCRAPER		
31.	805-439C	PIN ROLL 1/4 X 5/8 PLT		
32.	820-287C	4.0 MM 15 DISK (21 DEG BEVEL)		
33.	800-213C	RIVET,BUTTON HEAD 1/4 X 1/2		
34.	890-466C	HSG RIBB FLG 6BOLT PLT		
35.	188-001V	BRG AA205DD		
36.	107-137V	FLANGE AND BRG ASSY	Includes items 34 & 35	
37.	816-306C	PLUG, SPRING ROD CASTING		
38.	803-310C	NUT HEX 1/2-20 X 5/8 HIGH		
39.	800-322C	STUD 1/2-13X17.6 SPTHD DBBLEND		
40.	812-236C	OPNR SPRING RD TRUNION CASTING		
41.	807-262C	SPRING COMP 2.56ODX.393X12.875		
42.	121-154D	SPRING STOP STAMPING		
43.	121-169D	SPACER TB ALUM 1ODX 1/2 X 7.28		
44.	803-193C	NUT HEX FLANGE 1/2-13 GR G PLT		
45.	803-036C	NUT HEX JAM 1/2-13 PLT		
46.	121-166D	ADJ. YOKE END		

Table of Contents Part Number Index

HD 00 Series Short Arm Opener (S/N S2242-)

(Applies to 3S-3000 HD, 3S-3000 HDF only)



24427

HD 00 Series Short Arm Opener (S/N S2242-)

(Applies to 3S-3000 HD, 3S-3000 HDF only)

Ref	Part No.	Part Description	Comments	Revision
	dwg24427	Image No.		
1.	107-111D	DD BRG FLANGE DUST COVER		
2.	817-704C	UPPER SEED TUBE CAP		
3.	121-004S	OPENER SPRING ROD ASSY. SHRT.		
4.	817-697C	HD 00 SEED TUBE ASSEMBLY		
5.	121-151D	OPENER MOUNTING BRACKET		
6.	142-198D	STRAIGHT ARM OPENER PIVOT PIPE		
7.	198-331D	SEED TUBE 25S HOOK CLIP		
8.	221-130H	OPENER WELDMENT-HD 00 SHORT		
9.	404-121S	4.0 MM 15 DISC W/ 5/8 ASSY	Includes items 27-29	
10.	404-170H	25P SCRAPER SEPARATOR WLDMT		
11.	801-172C	SCREW HEX SLT 10-16X3/4PTHD CT		
12.	802-121C	RHSNB 1/2-13X5 1/2 GR5		
13.	802-228C	HHCS 5/8-11X1 1/2 GR5 NYL		
14.	803-169C	NUT HEX FLG. LOCK 1/2-13 PLT.		
15.	804-040C	WASHER MACH 1.19 X .63 X 18GA		
16.	805-109C	PIN COTTER 1/8 X 1 1/4 PLT		
17.	805-127C	PIN CLEVIS 1/2 X 1 3/4		
18.	805-234C	PIN CLEVIS 1/2 X 4 PLATED		
19.	805-335C	PIN ROLL 5/16 X 5/8 PLT		
20.	817-084C	PARALLEL ARM PIVOT BUSHING		
21.	817-349C	SEED FLAP, UHMW, LONG	For use without Seed-Lok or Keeton Seed Firmer	
21.	816-536C	SEED FLAP-RUBBER, SEED-LOK LNG	For use with Seed-Lok	
22.	816-306C	PLUG, SPRING ROD CASTING		
23.	817-688C	HOLE PLUG 1 3/4		
24.	802-045C	HHCS 1/2-13X5 GR5		
25.	804-154C	WASHER POWDER METAL CONE 1/2		
26.	803-037C	NUT HEX WHIZ 1/2-13 PLT		
27.	107-137V	FLANGE AND BEARING ASSY		
28.	800-213C	RIVET,BUTTON HEAD 1/4 X 1/2		
29.	820-287C	4.0 MM 15 DISK (21 DEG BEVEL)		
30.	122-001S	PW ADJUST TRUNION ASSY		
31.	817-328C	T-HANDLE ASSEMBLY		
32.	805-186C	PIN ROLL 5/32 X 5/8 PLT		
33.	817-347C	OPENER TRUNION		
34.	807-106C	SPRING .540 O.D.X 1 1/4 X.054W		
35.	805-385C	PIN CLEVIS 3/8 X 3 PLT		
36.	800-292C	HOSE CLAMP 1 13/32 NO. 22		
37.	816-239C	SEED HOSE 56 RIBS X 11 LONG		
38.	800-009C	CLAMP HOSE 1 5/8 NO. 26		
39.	121-044D	ADJ.YOKE END 11/16" OPENING		
40.	803-036C	NUT HEX JAM 1/2-13 PLT		
41.	803-193C	NUT HEX FLANGE 1/2-13 GR G PLT		
42.	121-154D	SPRING STOP STAMPING		
43.	802-550C	HHCS 1/2-13X10 SPTHD GR8		
44.	807-262C	SPRING COMP 2.56ODX.393X12.875		
45.	812-236C	OPNR SPRING RD TRUNION CASTING		
46.	188-001V	BEARING AA205DD		
47.	890-466C	HSG RIBB FLG 6BOLT PLT		

HD 00 Series Short Arm Opener (S/N S2243 - S2493)

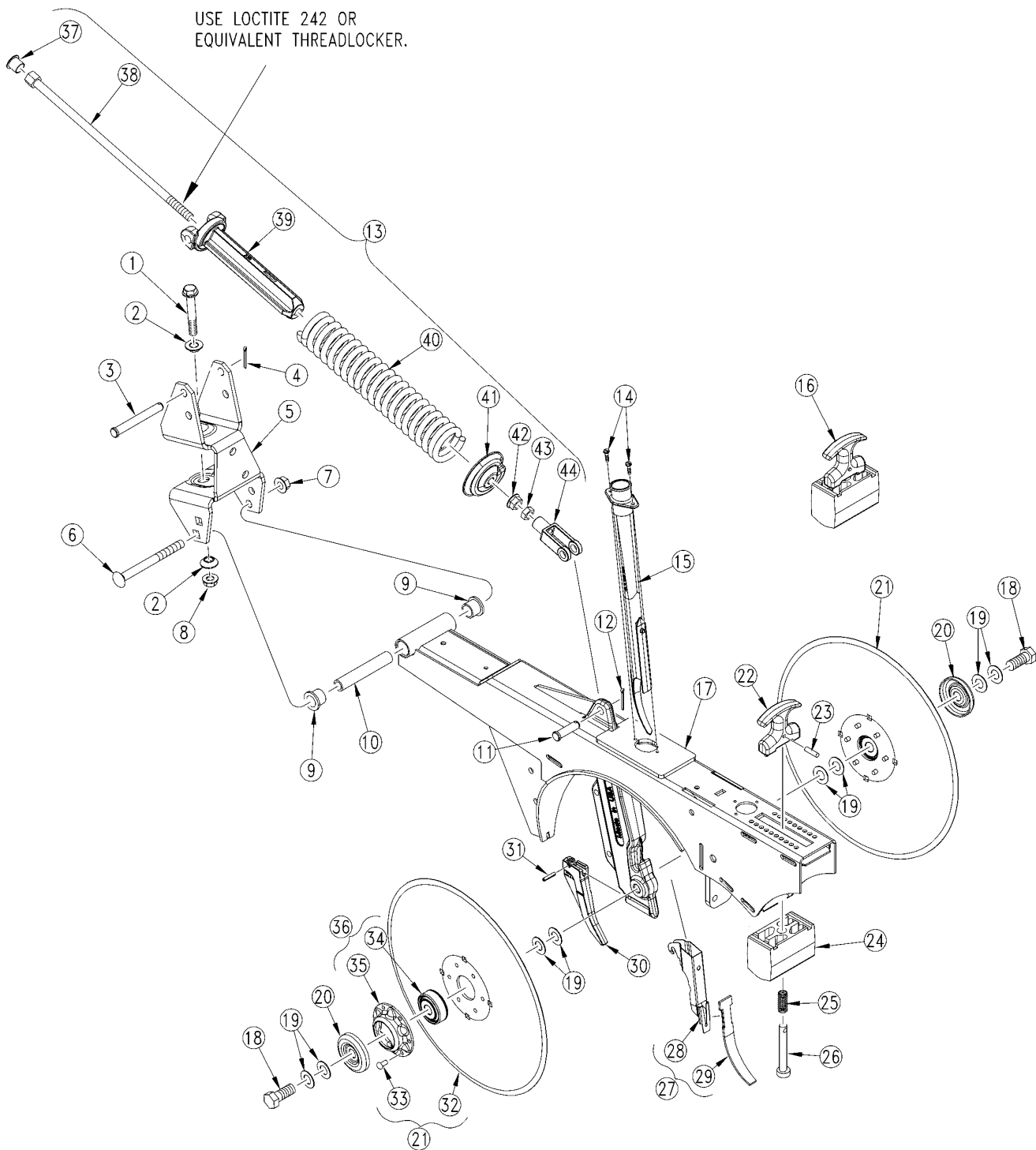
(Applies to 3S-3000 HD, 3S-3000 HDF only)

Ref	Part No.	Part Description	Comments	Revision
	dwg29468	Image No.		
1.	107-111D	DD BRG FLANGE DUST COVER		
2.	817-704C	UPPER SEED TUBE CAP		
3.	121-004S	OPENER SPRING ROD ASSY. SHRT.		
4.	817-697C	HD 00 SEED TUBE ASSEMBLY		
5.	121-151D	OPENER MOUNTING BRACKET		
6.	142-198D	STRAIGHT ARM OPENER PIVOT PIPE		
7.	198-331D	SEED TUBE 25S HOOK CLIP		
8.	221-641H	OPENER WELD HD 00 SHORT		
9.	404-121S	4.0 MM 15 DISC W/ 5/8 ASSY	Includes items 27-29	
10.	121-008H	SCRAPER SEPARATOR WELD		
11.	801-172C	SCREW HEX SLT 10-16X3/4PTHD CT		
12.	802-121C	RHSNB 1/2-13X5 1/2 GR5		
13.	802-228C	HHCS 5/8-11X1 1/2 GR5 NYL		
14.	803-169C	NUT HEX FLG. LOCK 1/2-13 PLT.		
15.	804-040C	WASHER MACH 1.19 X .63 X 18GA		
16.	805-109C	PIN COTTER 1/8 X 1 1/4 PLT		
17.	805-127C	PIN CLEVIS 1/2 X 1 3/4		
18.	805-234C	PIN CLEVIS 1/2 X 4 PLATED		
19.	805-026C	PIN ROLL 1/4 X 3/4 PLT		
20.	817-084C	PARALLEL ARM PIVOT BUSHING		
21.	817-349C	SEED FLAP, UHMW, LONG	S/N S2362-	
21.	816-536C	SEED FLAP-RUBBER, SEED-LOK LNG	S/N S2363+	
22.	816-306C	PLUG, SPRING ROD CASTING		
23.	817-688C	HOLE PLUG 1 3/4		
24.	802-045C	HHCS 1/2-13X5 GR5		
25.	804-154C	WASHER POWDER METAL CONE 1/2		
26.	803-037C	NUT HEX WHIZ 1/2-13 PLT		
27.	107-137V	FLANGE AND BEARING ASSY		
28.	800-213C	RIVET,BUTTON HEAD 1/4 X 1/2		
29.	820-287C	4.0 MM 15 DISK (21 DEG BEVEL)		
30.	122-001S	PW ADJUST TRUNION ASSY		
31.	817-328C	T-HANDLE ASSEMBLY		
32.	805-186C	PIN ROLL 5/32 X 5/8 PLT		
33.	817-347C	OPENER TRUNION		
34.	807-106C	SPRING .540 O.D.X 1 1/4 X.054W		
35.	805-385C	PIN CLEVIS 3/8 X 3 PLT		
36.	800-008C	CLAMP HOSE 1 1/2 NO. 24		
37.	816-239C	SEED HOSE 56 RIBS X 11 LONG		
38.	800-009C	CLAMP HOSE 1 5/8 NO. 26		
39.	121-044D	ADJ. YOKE END, 11/16" OPENING		
40.	803-036C	NUT HEX JAM 1/2-13 PLT		
41.	803-193C	NUT HEX FLANGE 1/2-13 GR G PLT		
42.	121-154D	SPRING STOP STAMPING		
43.	802-550C	HHCS 1/2-13X10 SPTHD GR8		
44.	807-262C	SPRING COMP 2.56ODX.393X12.875		
45.	812-236C	OPNR SPRING RD TRUNION CASTING		
46.	188-001V	BRG AA205DD		
47.	890-466C	HSG RIBB FLG 6BOLT PLT		

Table of Contents Part Number Index

HD 00 Series Short Arm Opener (S/N S2494+)

(Applies to 3S-3000 HD, 3S-3000 HDF only)



32129

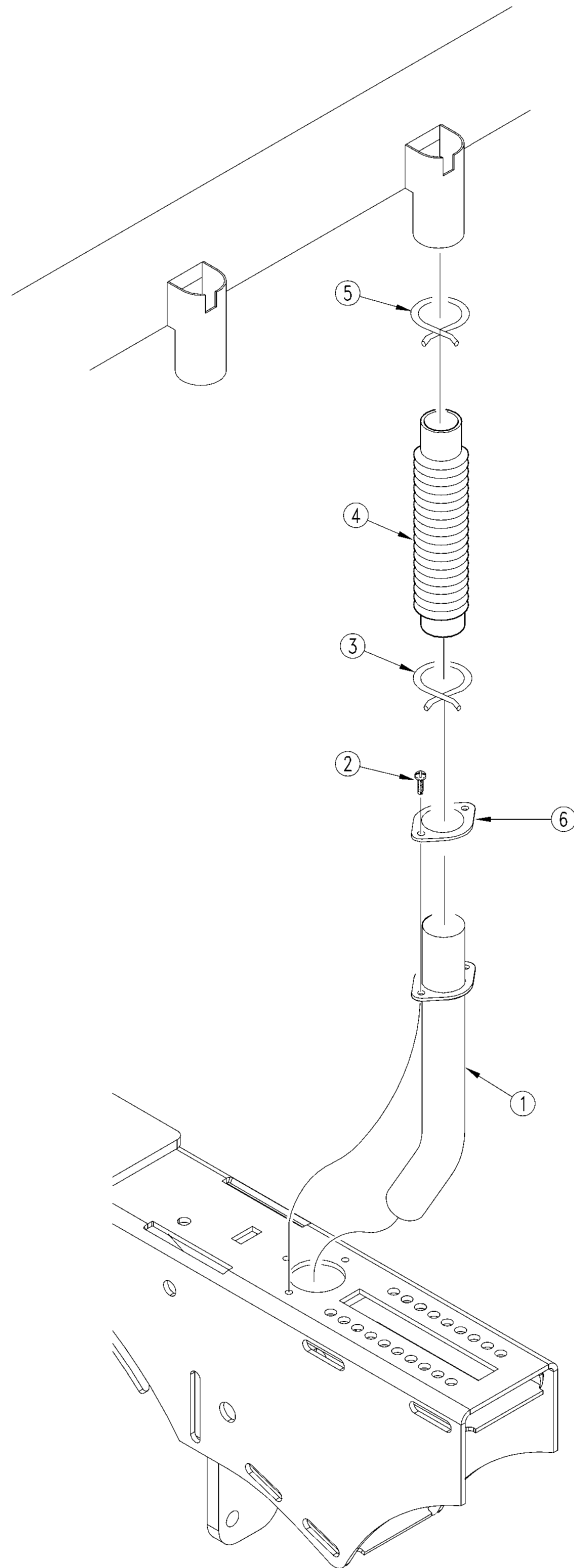
HD 00 Series Short Arm Opener (S/N S2494+)

(Applies to 3S-3000 HD, 3S-3000 HDF only)

Ref	Part No.	Part Description	Comments	Revision
	dwg32129	Image No.		
1.	802-045C	HHCS 1/2-13X5 GR5		
2.	804-154C	WASHER POWDER METAL CONE 1/2		
3.	805-234C	PIN CLEVIS 1/2 X 4 PLATED		
4.	805-109C	PIN COTTER 1/8 X 1 1/4 PLT		
5.	121-151D	OPENER MOUNTING BRACKET		
6.	802-121C	RHSNB 1/2-13X5 1/2 GR5		
7.	803-169C	NUT HEX FLG LOCK 1/2-13 PLT		
8.	803-037C	NUT HEX WHIZ 1/2-13 PLT		
9.	817-084C	PARALLEL ARM PIVOT BUSHING		
10.	142-198D	STRAIGHT ARM OPENER PIVOT PIPE		
11.	805-127C	PIN CLEVIS 1/2 X 1 3/4		
12.	805-109C	PIN COTTER 1/8 X 1 1/4 PLT		
13.	121-004S	HD OPENER SPRING ROD ASY SHORT	Includes items 37-44	
14.	801-172C	SCREW HEX SLT 10-16X3/4PTHD CT		
15.	817-897C	00HD OPENER SEED TUBE		
16.	122-001S	HD PW ADJUST TRUNION ASY		
17.	221-694H	OPENER 00HD SHORT NARROW BA		
18.	802-228C	HHCS 5/8-11X1 1/2 GR5 NYL		
19.	804-040C	WASHER MACH 1.19 X .63 X 18GA		
20.	107-111D	DD BRG FLANGE DUST COVER		
21.	404-121S	4.0 MM 15 DISC W/ 5/8 ASSY	Includes items 32 & 33	
22.	817-328C	T-HANDLE ASSEMBLY		
23.	805-186C	PIN ROLL 5/32 X 5/8 PLT		
24.	817-347C	OPENER TRUNION		
25.	807-106C	SPRING .540 O.D.X 1 1/4 X.054W		
26.	805-385C	PIN CLEVIS 3/8 X 3 PLT		
27.	221-730S	00HD NARROW SEED TB CLIP/FLAP	Includes items 28 & 29	
28.	121-176D	00HD SEED TUBE CLIP		
29.	816-302C	SEED FLAP, RUBBER, SEED-LOK		
30.	812-394C	NARROW HD OPENER LOWER SCRAPER		
31.	805-439C	PIN ROLL 1/4 X 5/8 PLT		
32.	820-287C	4.0 MM 15 DISK (21 DEG BEVEL)		
33.	800-213C	RIVET,BUTTON HEAD 1/4 X 1/2		
34.	188-001V	BRG AA205DD		
35.	890-466C	HSG RIBB FLG 6BOLT PLT		
36.	107-137V	FLANGE AND BRG ASSY	Includes items 34 & 35	
37.	816-306C	PLUG, SPRING ROD CASTING		
38.	802-550C	HHCS 1/2-13X10 SPTHD GR8		
39.	812-236C	OPNR SPRING RD TRUNION CASTING		
40.	807-262C	SPRING COMP 2.56ODX.393X12.875		
41.	121-154D	SPRING STOP STAMPING		
42.	803-193C	NUT HEX FLANGE 1/2-13 GR G PLT		
43.	803-036C	NUT HEX JAM 1/2-13 PLT		
44.	121-044D	ADJ. YOKE END, 11/16" OPENING		

Fertilizer Hose

(Applies to 3S-3000 HD, 3S-3000 HDF only)



27007

Fertilizer Hose

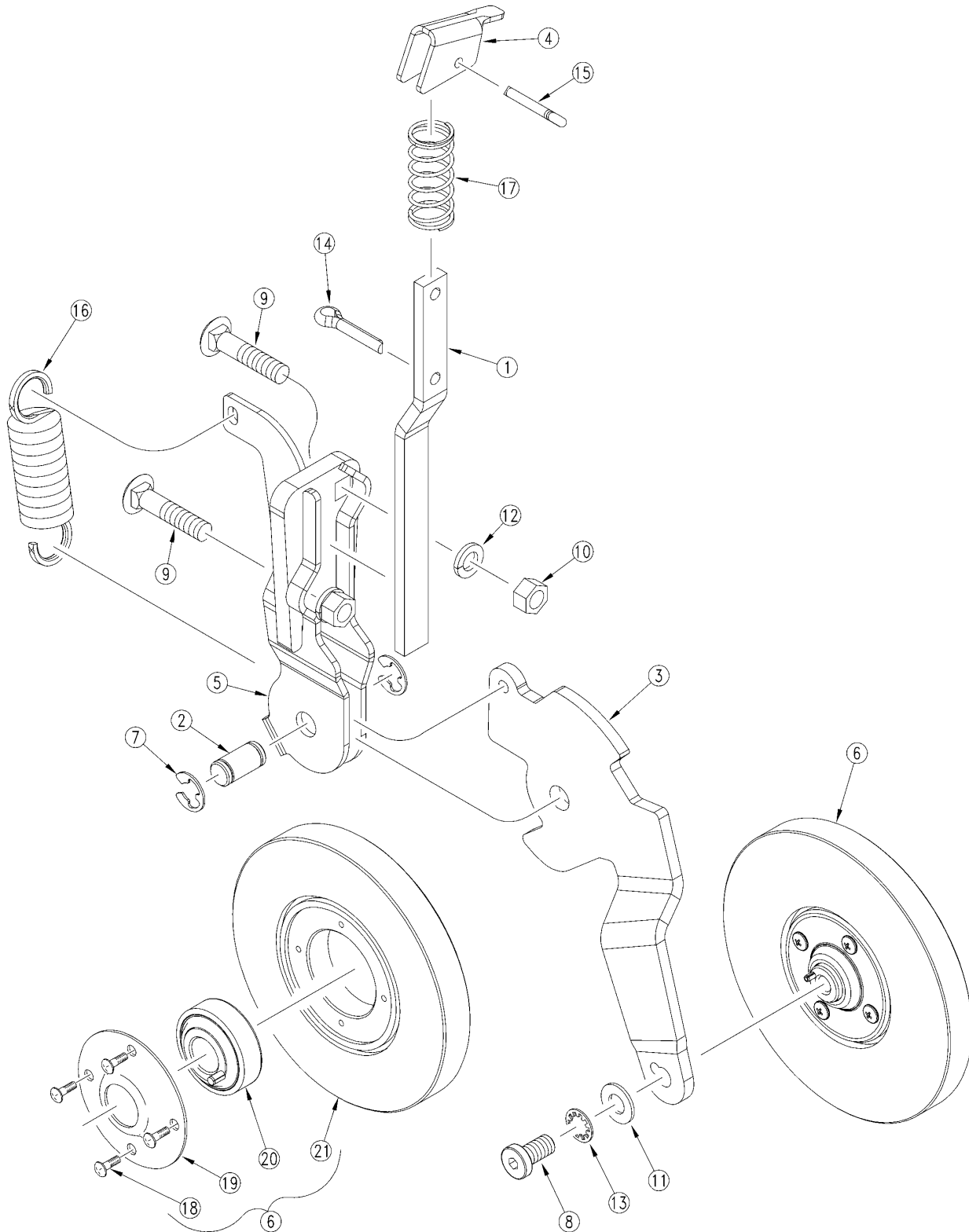
(Applies to 3S-3000 HD, 3S-3000 HDF only)

Ref	Part No.	Part Description	Comments	Revision
	dwg27007	Image No.		
1.	817-346C	PLASTIC FERTILIZER TUBE		
2.	801-002C	SCREW HEX SLT10-16X1/2P.THD CT		
3.	800-008C	CLAMP HOSE 1 1/2 NO. 24		
4.	816-007C	SEED HOSE X 59 RIBS 1.5-1.25		
5.	800-016C	UPPER FERT HOSE CLAMP		
6.	133-065D	SML SDS TB REINFORCEMENT RING		

[Table of Contents](#) [Part Number Index](#)

HD 00 6" Seed-Lok Assy. (Option) (122-009K)

(Applies to 3S-3000 HD, 3S-3000 HDF only)



24429

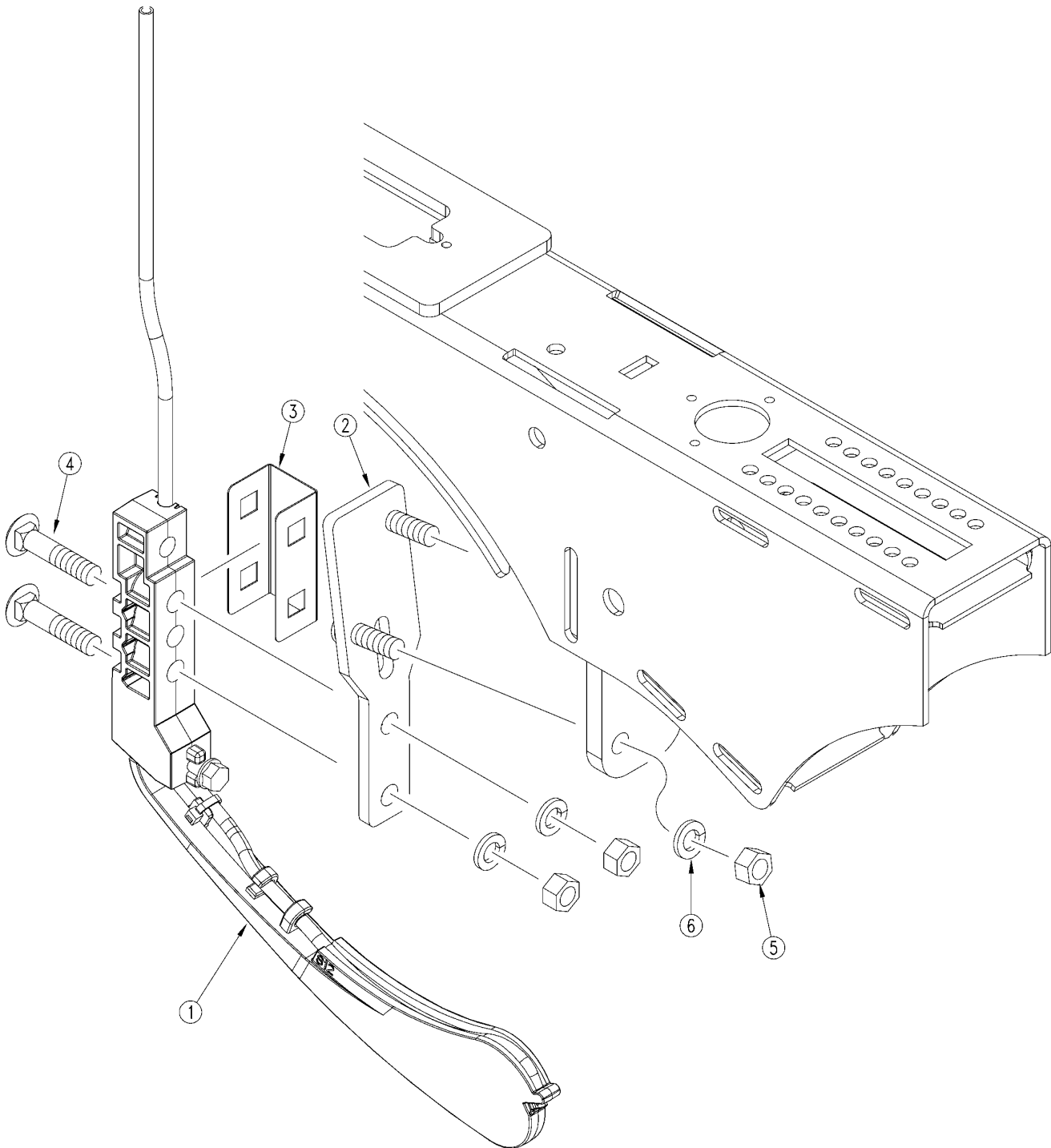
HD 00 6" Seed-Lok Assy. (Option) (122-009K)

(Applies to 3S-3000 HD, 3S-3000 HDF only)

Ref	Part No.	Part Description	Comments	Revision
	dwg24429	Image No.		
1.	122-003D	00 HD SER SEED LOK LOCK-UP BAR		
2.	122-120D	5 SEED-LOK WHL ARM PIVOT PIN		
3.	122-164D	SEED LOCK ARM, SINGULATING		
4.	122-166D	SEED LOCK LOCK-UP CAM		
5.	122-250H	SEED LOCK MOUNT, SINGULATING		
6.	206-014S	6 SEED LOK ASSEMBLY		
7.	800-093C	RING SNAP EXTERNAL "E" 1/2		
8.	801-141C	LHS CP 3/8-16X3/4 GR8 PLATED		
9.	802-252C	RHSNB 3/8-16X1 3/4 GR5		
10.	803-014C	NUT HEX 3/8-16 PLT		
11.	804-012C	WASHER FLAT 3/8 SAE PLT		
12.	804-013C	WASHER LOCK SPRING 3/8 PLT		
13.	804-078C	WASHER INTERNAL STAR 3/8 PLT.		
14.	805-020C	PIN COTTER 1/4 X 1 PLT		
15.	805-069C	PIN COTTER 3/16 X 1		
16.	807-101C	SPRING, 1 O.D.X.125WIREX 3 1/2		
17.	807-188C	SPRING COMP .85ODX2.0LGX.067W		
18.	801-084C	SCR PH THD FMG #10X1/2 TP ZP		
19.	816-173C	RETAINER W/BONDED SEAL 4BLT		
20.	188-008V	BEARING 203 SEED-LOK WITH PIN		
21.	817-191C	5/8 X 6 SEED LOK WHEEL		

HD 00 Keeton Seed Firmer

(Applies to 3S-3000 HD, 3S-3000 HDF only)



24428

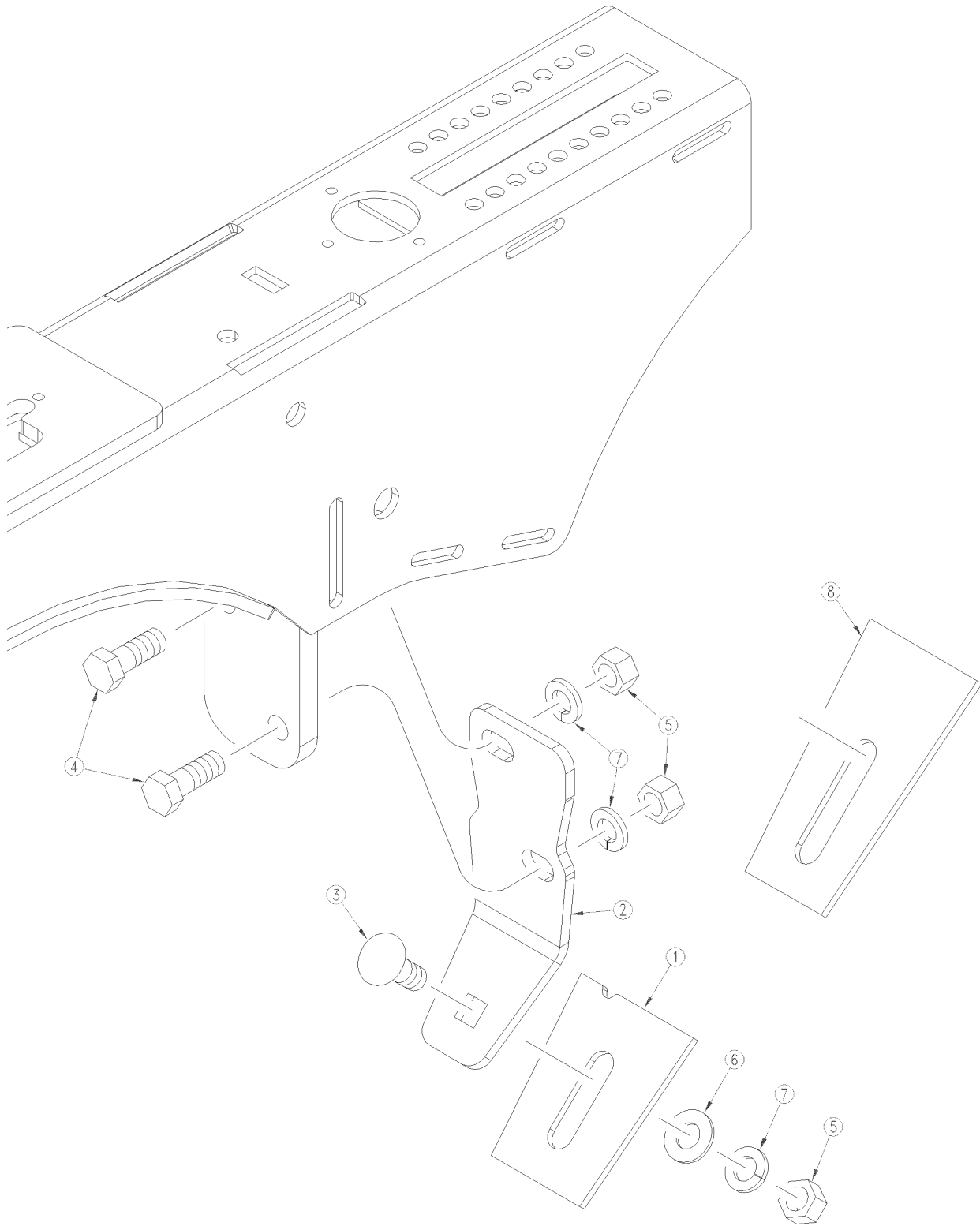
HD 00 Keeton Seed Firmer

(Applies to 3S-3000 HD, 3S-3000 HDF only)

Ref	Part No.	Part Description	Comments	Revision
	dwg24428	Image No.		
1.	120825	KEETON NARROW TAIL		
2.	129BXT821	KEETON MOUNT BAR		
3.	129BXT827	KEETON GUARD		
4.	802-411C	RHSNB 3/8-16X2 GR5		
5.	803-014C	NUT HEX 3/8-16 PLT		
6.	804-013C	WASHER LOCK SPRING 3/8 PLT		

00 HD Scraper

(Applies to 3S-3000 HD, 3S-3000 HDF only)



26460

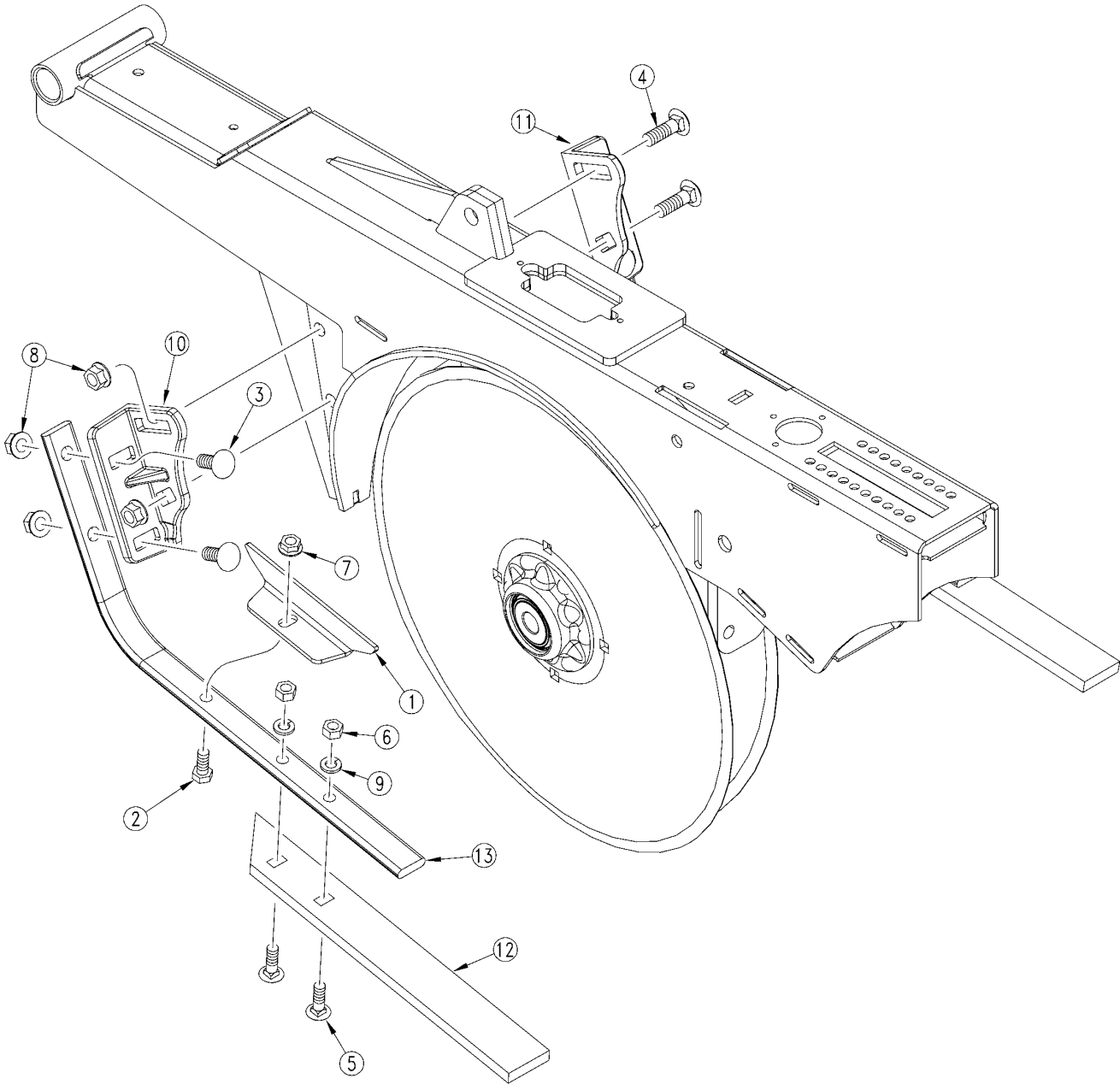
00 HD Scraper

(Applies to 3S-3000 HD, 3S-3000 HDF only)

Ref	Part No.	Part Description	Comments	Revision
	dwg26460	Image No.		
1.	122-004D	00HD OPENER SCRAPER	Top width = 2.35"	
2.	122-006D	INSIDE SCRAPER MOUNT		
3.	802-015C	RHSNB 3/8-16X1 GR5		
4.	802-017C	HHCS 3/8-16X1 GR5		
5.	803-014C	NUT HEX 3/8-16 PLT		
6.	804-012C	WASHER FLAT 3/8 SAE PLT		
7.	804-013C	WASHER LOCK SPRING 3/8 PLT		
8.	122-179D	00HD NARROW INSIDE SCRAPER	Top width = 2.16"	

00 HD Knock Down Kit

(Applies to 3S-3000 HD, 3S-3000 HDF only)



27495

00 HD Knock Down Kit

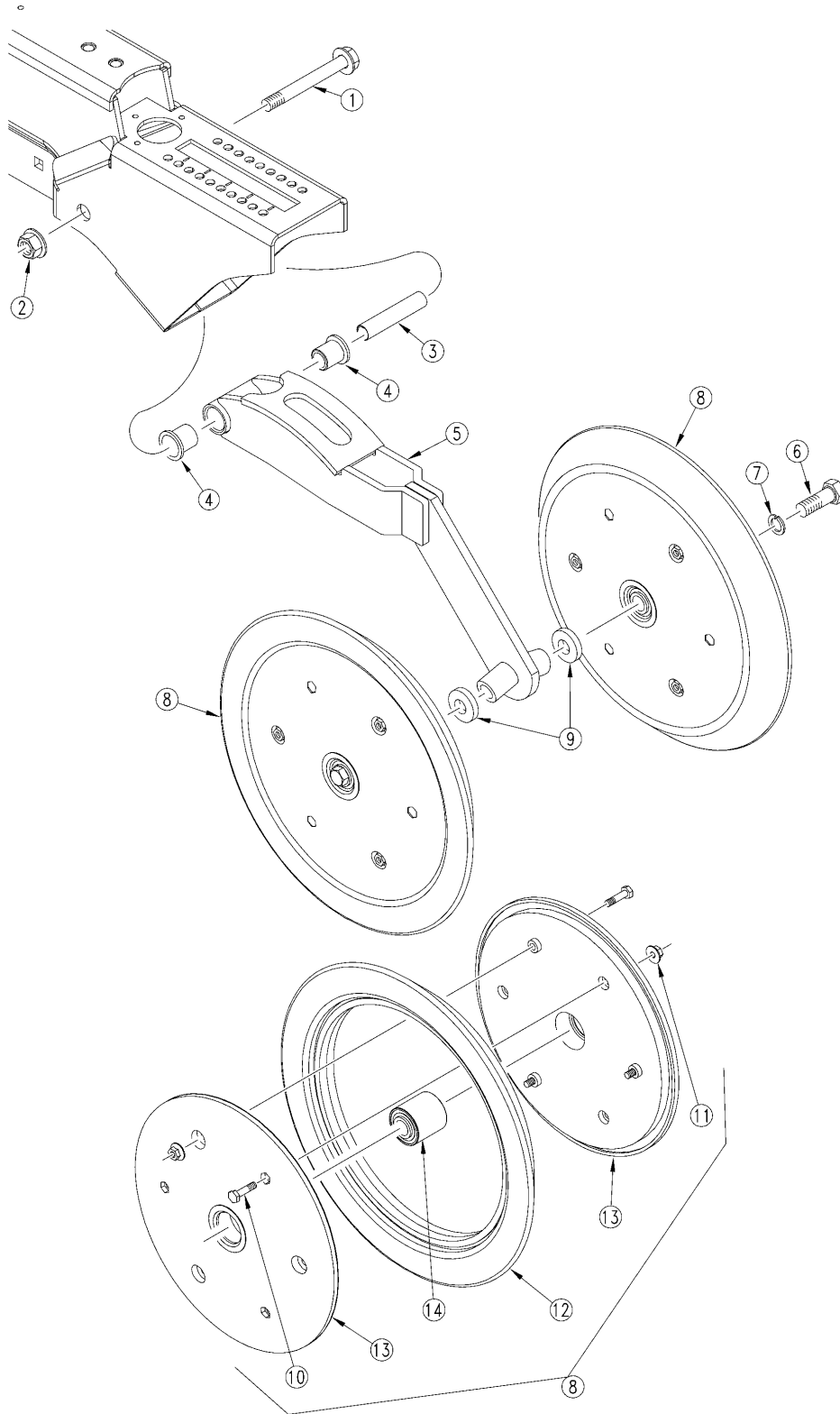
(Applies to 3S-3000 HD, 3S-3000 HDF only)

Ref	Part No.	Part Description	Comments	Revision
	dwg27495	Image No.		
1.	122-178D	KNOCK DOWN DISK SCRAPER		
2.	802-007C	HHCS 5/16-18X3/4 GR5		
3.	802-015C	RHSNB 3/8-16X1 GR5		
4.	802-155C	RHSNB 3/8-16X1 1/4 GR5		
5.	802-282C	RHSNB 5/16-18X1 GR5		
6.	803-008C	NUT HEX 5/16-18 PLT		
7.	803-177C	NUT HEX FLG TP LK 5/16-18ZNYCR		
8.	803-209C	NUT FLANGE LOCK 3/8-16 PLT		
9.	804-009C	WASHER LOCK SPRING 5/16 PLT		
10.	812-366C	LH KNOCK DOWN TINE BASE		
11.	812-367C	RH KNOCK DOWN TINE BASE		
12.	817-869C	POLY TRASH KNOCK DOWN BAR		
13.	820-431C	TRASH KNOCK DOWN TINE		

[Table of Contents](#) [Part Number Index](#)

HD 1 1/4" X 13 1/4" Double Press Wheel

(Applies to 3S-3000 HD, 3S-3000 HDF only)



27028

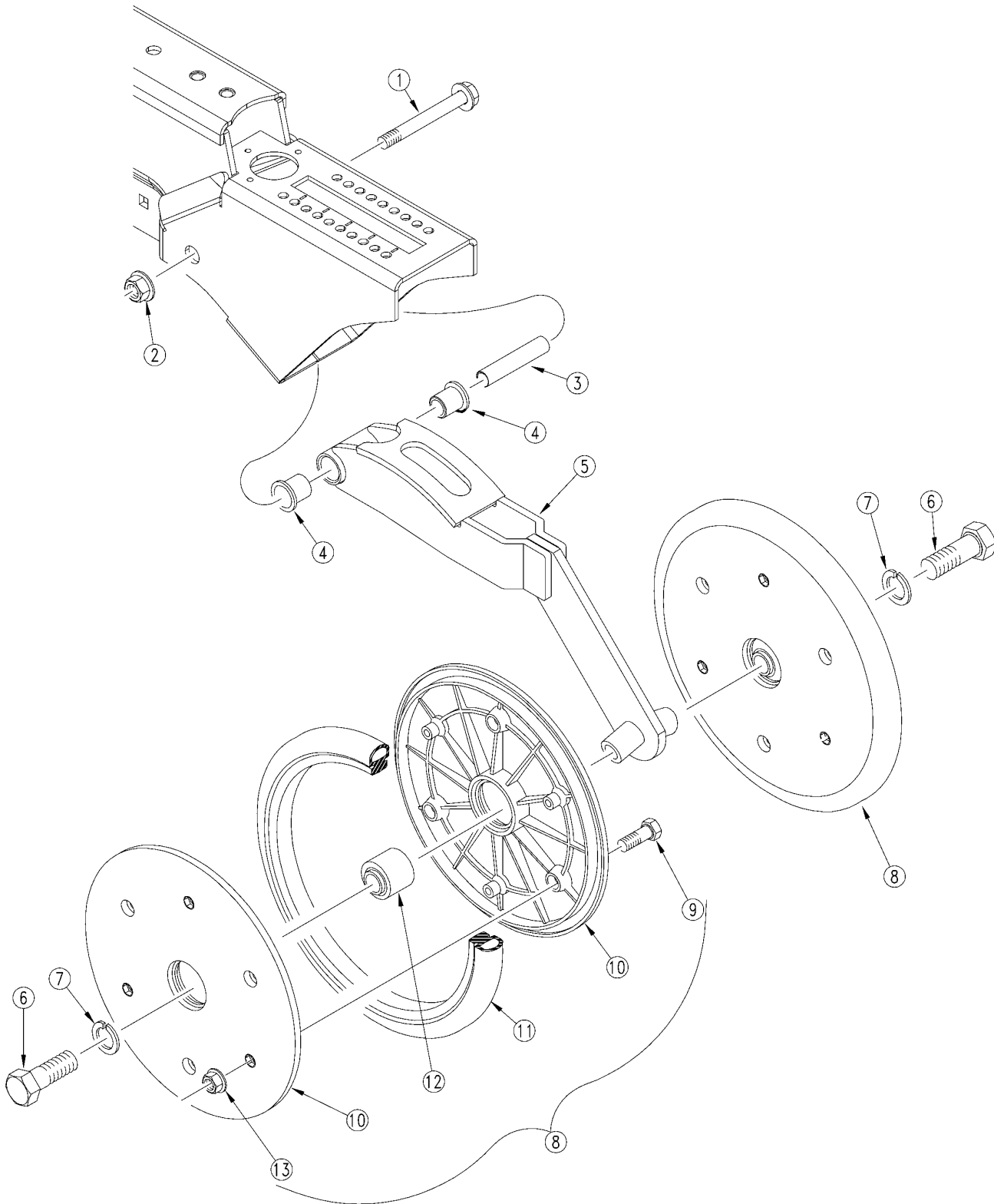
HD 1 1/4" X 13 1/4" Double Press Wheel

(Applies to 3S-3000 HD, 3S-3000 HDF only)

Ref	Part No.	Part Description	Comments	Revision
	dwg27028	Image No.		
1.	802-421C	HFS 1/2-13X3 3/4 GR5 SPTH		
2.	803-169C	NUT HEX FLG. LOCK 1/2-13 PLT.		
3.	198-137D	PRESS WHEEL PIVOT TUBE		
4.	817-084C	PARALLEL ARM PIVOT BUSHING		
5.	199-088H	10HD DBL PW ARM WELDMENT RH		
5.	199-089H	10HD DBL PW ARM WELDMENT LH		
6.	802-059C	HHCS 5/8-11X3 GR5		
7.	804-022C	WASHER LOCK SPRING 5/8 PLT		
8.	814-238C	1.25 X 13.5 PRESS WHEEL ASSY		
9.	405-031D	1/4 PW SPACER 5/8 DIA		
10.	802-005C	HHCS 1/4-20X1 GR5		
11.	803-088C	NUT HEX LOCK 1/4-20 FLG		
12.	814-244C	1.25X13.5 ANGLE PEAK TIRE		
13.	817-330C	1 X 12 PRESS WHEEL RIM HALF		
14.	822-170C	BRG .63ID PRESS WHL ASY		

HD 1" x 12" Double "V" Press Wheel

(Applies to 3S-3000 HD, 3S-3000 HDF only)



24430

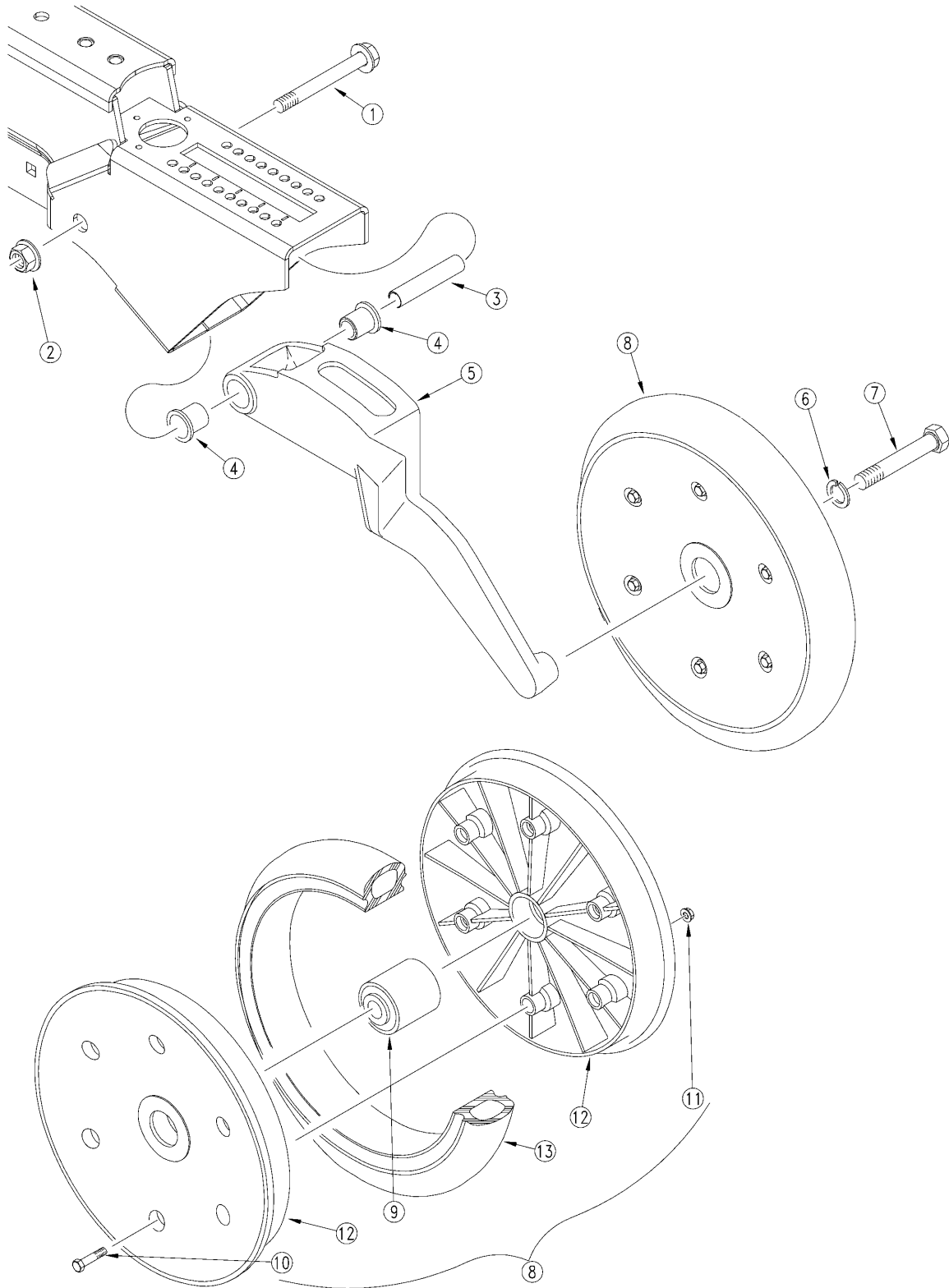
HD 1" x 12" Double "V" Press Wheel

(Applies to 3S-3000 HD, 3S-3000 HDF only)

Ref	Part No.	Part Description	Comments	Revision
	dwg24430	Image No.		
1.	802-421C	HFS 1/2-13X3 3/4 GR5 SPTHD		
2.	803-169C	NUT HEX FLG. LOCK 1/2-13 PLT.		
3.	198-137D	PRESS WHEEL PIVOT TUBE		
4.	817-084C	PARALLEL ARM PIVOT BUSHING		
5.	199-043H	NG 1X12 PRESS WHEEL ARM		
6.	802-058C	HHCS 5/8-11X2 1/2 GR5		
7.	804-022C	WASHER LOCK SPRING 5/8 PLT		
8.	814-174C	1 X 12 PRESS WHL ASSY-5203BRG	Includes items 9 through 13.	
9.	802-005C	HHCS 1/4-20X1 GR5		
10.	817-330C	1 X 12 PRESS WHEEL RIM HALF		
11.	814-034C	TIRE RUBBER 1 X 12		
12.	822-170C	BRG .63ID PRESS WHL ASY		
13.	803-088C	NUT HEX LOCK 1/4-20 FLG		

HD 2" x 13" Single Press Wheel

(Applies to 3S-3000 HD, 3S-3000 HDF only)



24431

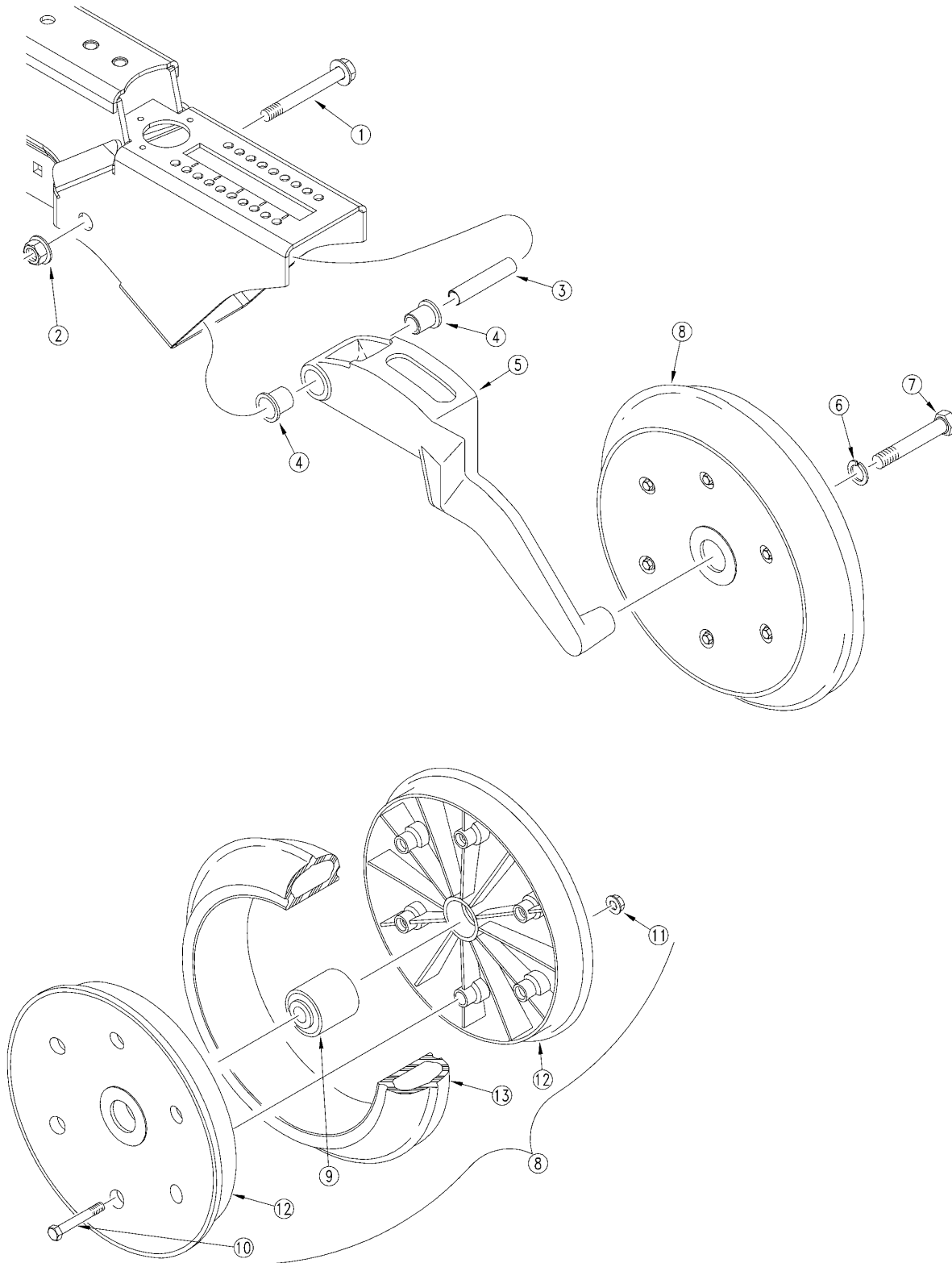
HD 2" x 13" Single Press Wheel

(Applies to 3S-3000 HD, 3S-3000 HDF only)

Ref	Part No.	Part Description	Comments	Revision
	dwg24431	Image No.		
1.	802-421C	HFS 1/2-13X3 3/4 GR5 SPTH		
2.	803-169C	NUT HEX FLG. LOCK 1/2-13 PLT.		
3.	198-137D	PRESS WHEEL PIVOT TUBE		
4.	817-084C	PARALLEL ARM PIVOT BUSHING		
5.	202-189D	NG UNIVERSAL PRESS WHEEL ARM		
6.	804-022C	WASHER LOCK SPRING 5/8 PLT		
7.	802-058C	HHCS 5/8-11X2 1/2 GR5		
8.	814-157C	2 X 13 PRESS WHEEL ASSEMBLY	Includes items 9 through 13.	
9.	822-170C	BRG .63ID PRESS WHL ASY		
10.	802-617C	HHFS 1/4-20 X 1 1/2 GR 5		
11.	803-088C	NUT HEX LOCK 1/4-20 FLG		
12.	817-296C	2 X 13 PRESS WHEEL RIM HALF		
13.	814-159C	2 X 13 PRESS WHEEL TIRE		

HD 3" x 13" Single Press Wheel

(Applies to 3S-3000 HD, 3S-3000 HDF only)



24432

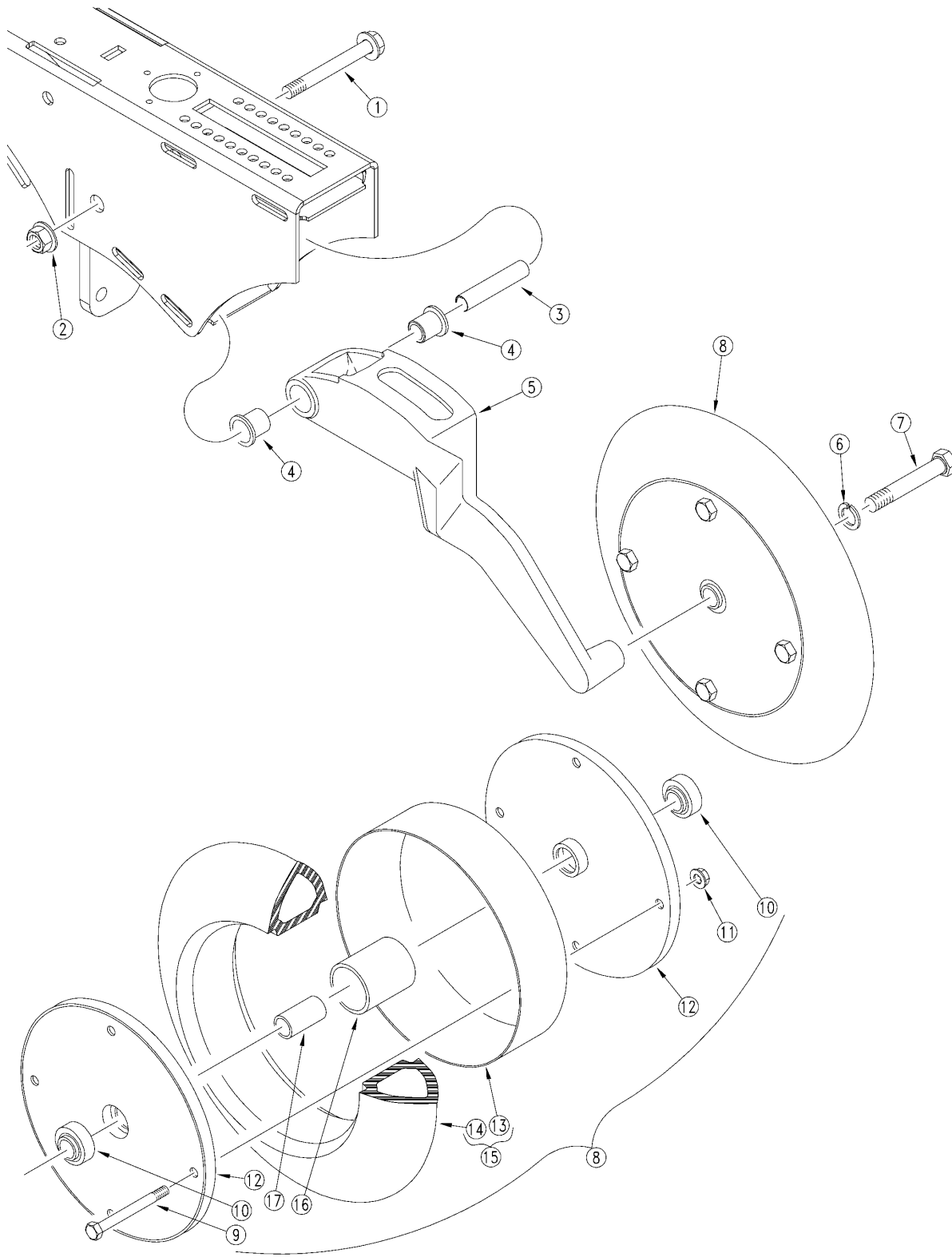
HD 3" x 13" Single Press Wheel

(Applies to 3S-3000 HD, 3S-3000 HDF only)

Ref	Part No.	Part Description	Comments	Revision
	dwg24432	Image No.		
1.	802-421C	HFS 1/2-13X3 3/4 GR5 SPTH		
2.	803-169C	NUT HEX FLG. LOCK 1/2-13 PLT.		
3.	198-137D	PRESS WHEEL PIVOT TUBE		
4.	817-084C	PARALLEL ARM PIVOT BUSHING		
5.	202-189D	NG UNIVERSAL PRESS WHEEL ARM		
6.	804-022C	WASHER LOCK SPRING 5/8 PLT		
7.	802-058C	HHCS 5/8-11X2 1/2 GR5		
8.	814-158C	3 X 13 PRESS WHEEL ASSEMBLY	Includes items 9 through 13.	
9.	822-170C	BRG .63ID PRESS WHL ASY		
10.	802-618C	HHFS 1/4-20 X 2 GR 5		
11.	803-088C	NUT HEX LOCK 1/4-20 FLG		
12.	817-297C	3 X 13 PRESS WHEEL RIM HALF		
13.	814-160C	3 X 13 PRESS WHEEL TIRE		

HD 3" x 14" Peaked Single Press Wheel

(Applies to 3S-3000 HD, 3S-3000 HDF only)



24433

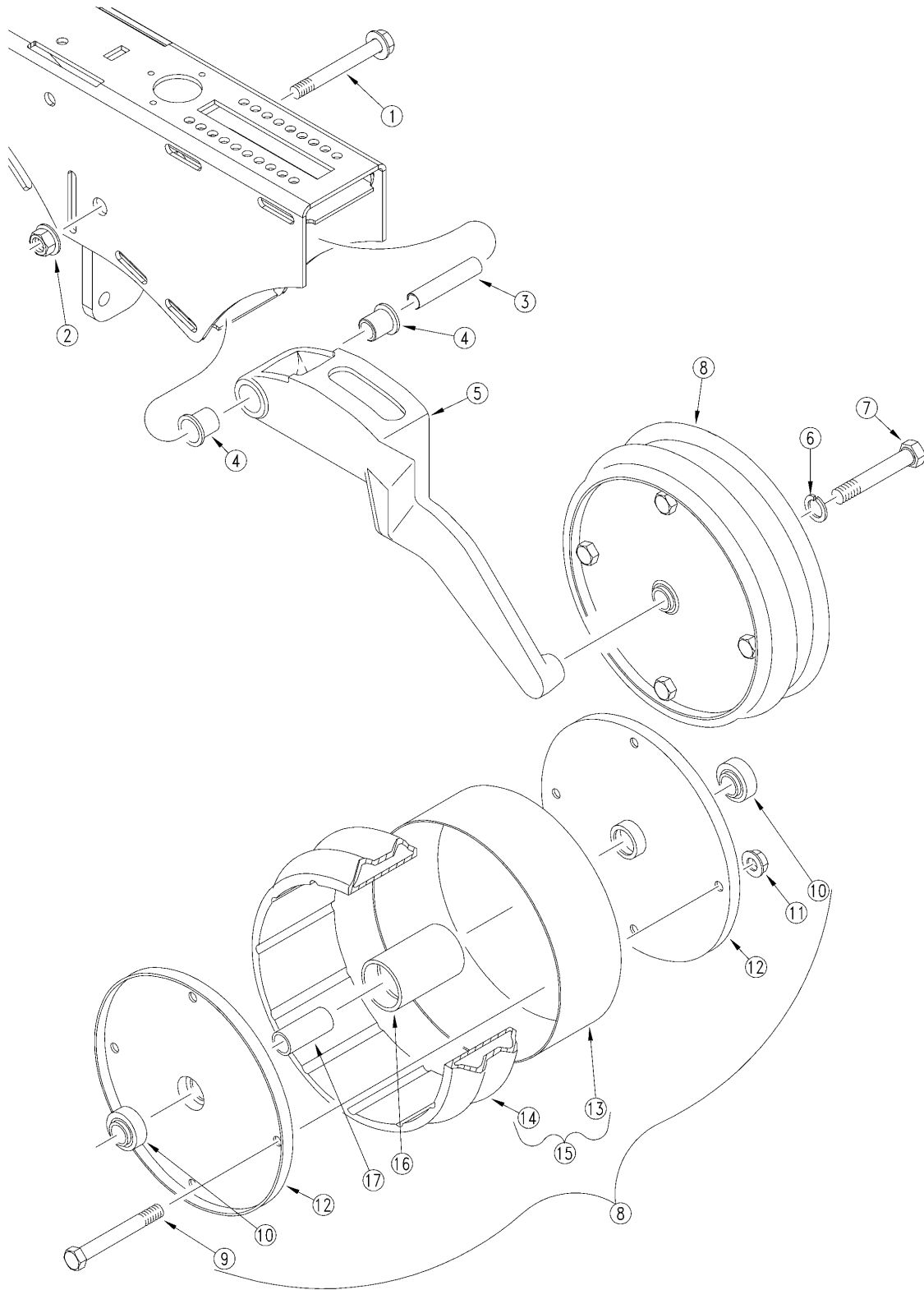
HD 3" x 14" Peaked Single Press Wheel

(Applies to 3S-3000 HD, 3S-3000 HDF only)

Ref	Part No.	Part Description	Comments	Revision
	dwg24433	Image No.		
1.	802-421C	HFS 1/2-13X3 3/4 GR5 SPTH		
2.	803-169C	NUT HEX FLG. LOCK 1/2-13 PLT.		
3.	198-137D	PRESS WHEEL PIVOT TUBE		
4.	817-084C	PARALLEL ARM PIVOT BUSHING		
5.	202-190D	NG 3X14 PRESS WHEEL ARM		
6.	804-022C	WASHER LOCK SPRING 5/8 PLT		
7.	802-059C	HHCS 5/8-11X3 GR5		
8.	122-117S	3 X 14 PEAKED P.W. ASSEMBLY	Includes items 9 through 17.	
9.	802-197C	HHCS 5/16-18X2 3/4 GR5		
10.	822-095C	BRG INS .63IDX1.57OD DBL LIP		
11.	803-177C	803-184 FLG TP LK 5/16-18ZNYCR		
12.	122-041D	4X12 PW RIM HALF		
13.	817-063C	3 X 14 RIM SPACER RING		
14.	814-067C	3 X 14 PEAKED PRESS WHEEL TIRE		
15.	122-198V	3 X 14 TIRE & RING ASSEMBLY	Includes items 13 and 14.	
16.	817-062C	LARGE SPACER TUBE		
17.	122-110D	SMALL SPACER TUBE		

HD 4" x 12" Double Ribbed Single Press Wheel

(Applies to 3S-3000 HD, 3S-3000 HDF only)



24434

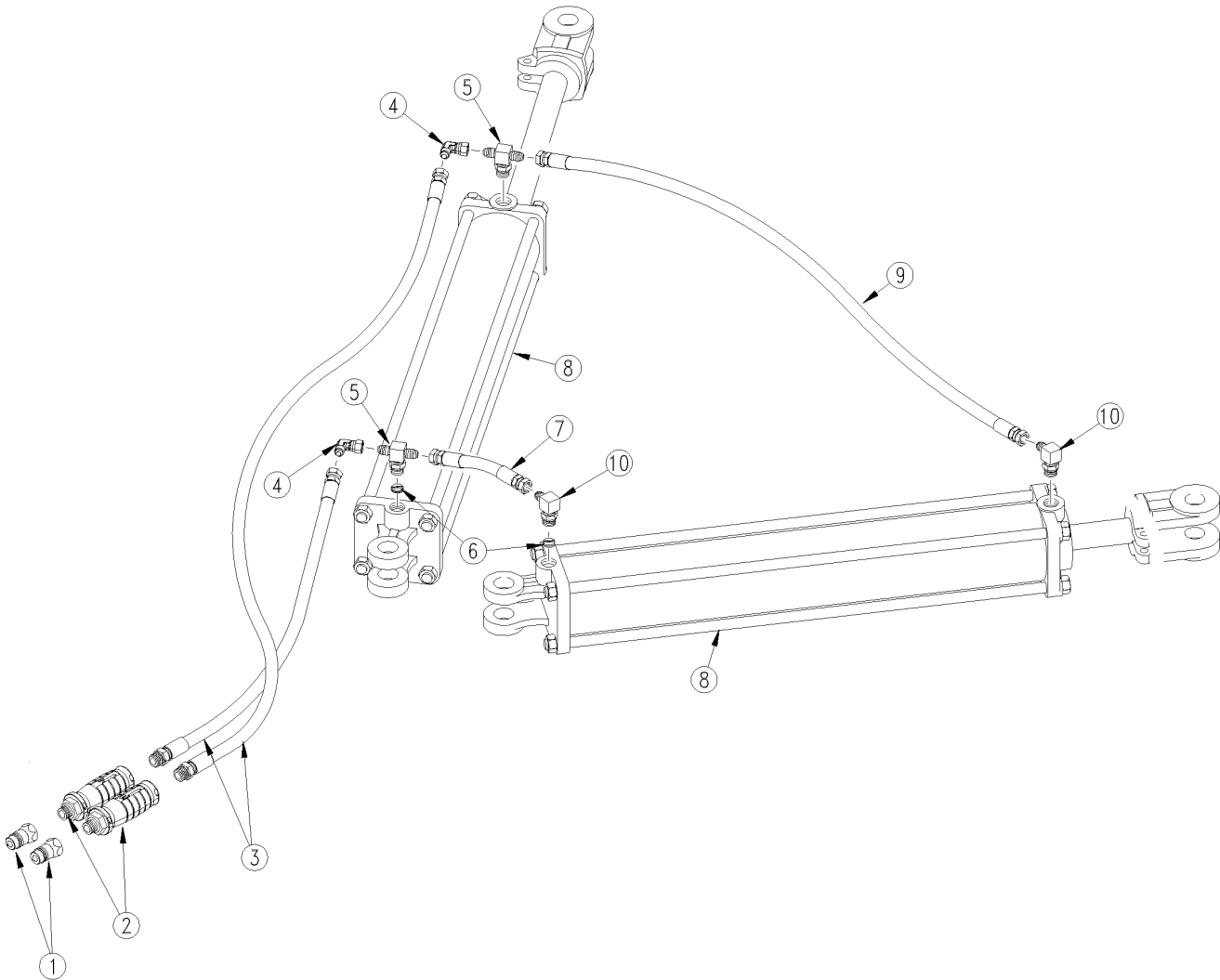
HD 4" x 12" Double Ribbed Single Press Wheel

(Applies to 3S-3000 HD, 3S-3000 HDF only)

Ref	Part No.	Part Description	Comments	Revision
	dwg24434	Image No.		
1.	802-421C	HFS 1/2-13X3 3/4 GR5 SPTH		
2.	803-169C	NUT HEX FLG. LOCK 1/2-13 PLT.		
3.	198-137D	PRESS WHEEL PIVOT TUBE		
4.	817-084C	PARALLEL ARM PIVOT BUSHING		
5.	202-274D	NG 4X12 PRESS WHEEL ARM		
6.	804-022C	WASHER LOCK SPRING 5/8 PLT		
7.	802-151C	HHCS 5/8-11X4 1/4 GR5		
8.	122-103S	4X12 V-GROOVE PRESS WHL ASSY		
9.	802-119C	HHCS 5/16-18X3 3/4 GR5		
10.	822-095C	BRG INS .63IDX1.57OD DBL LIP		
11.	803-177C	803-184 FLG TP LK 5/16-18ZNYCR		
12.	122-041D	4X12 PW RIM HALF		
13.	817-023C	4 X 12 RIM SPACER RING		
14.	814-010C	TIRE PW 4 X 12		
15.	122-197V	4X12 V-GROOVE TIRE & RING ASSY		
16.	817-022C	4 X 12 LARGE SPREADER TUBE		
17.	122-094D	4X12 SMALL SPREADER TUBE-SHORT		

Fold Hydraulics

(Applies to 3S-3000 HD, 3S-3000 HDF only)



38986

Fold Hydraulics

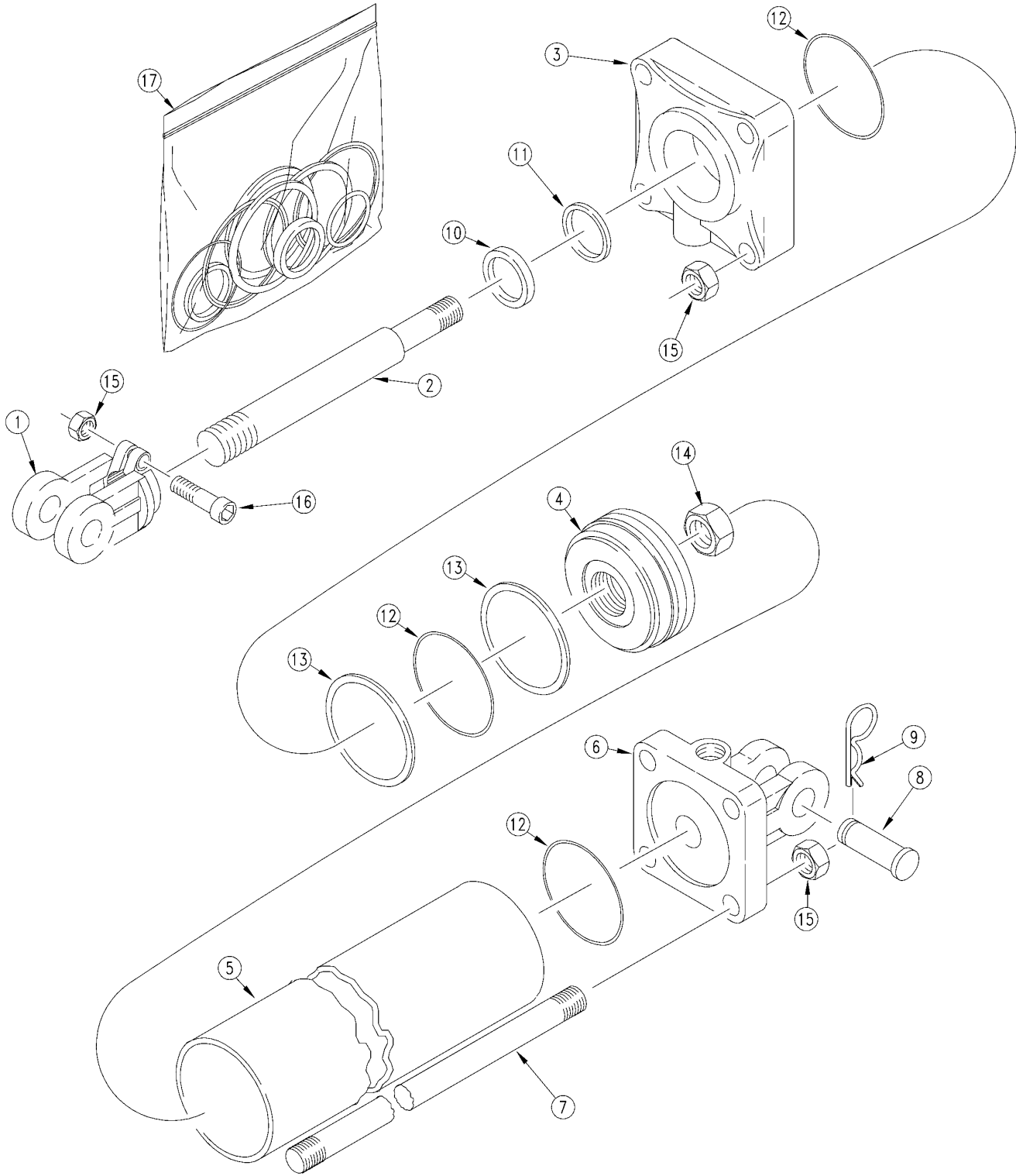
(Applies to 3S-3000 HD, 3S-3000 HDF only)

Ref	Part No.	Part Description	Comments	Revision
	dwg38986	Image No.		
1.	811-394C	CP 3/4FORB MALE QD POPPET TYPE		
2.	548-005S	HG PAIR - GRAY MORB-FORB	Refer to Hydraulic Hose Grips for breakdown.	
3.	811-183C	HH1/4R1 411 3/4MORB 9/16FJIC		
4.	811-169C	EL 9/16MJIC 9/16FJIC		
5.	811-470C	TE 9/16MJIC 3/4MORB 9/16MJIC		
6.	196-429D	ORIFICE PLATE 3/32 8 MORB		
7.	811-140C	HH1/4R1 012 9/16FJIC		
8.	810-298C	CYL 3.5X20X1.5 ROD (TIE ROD)		
9.	811-574C	HH1/4R1 040 9/16FJIC		
10.	811-171C	EL 3/4MORB 9/16MJIC		

[Table of Contents](#) [Part Number Index](#)

Hydraulic Cylinder 2 x 8 x 1.12 (810-299C)

(Applies to 3S-3000 HD, 3S-3000 HDF only)



15705

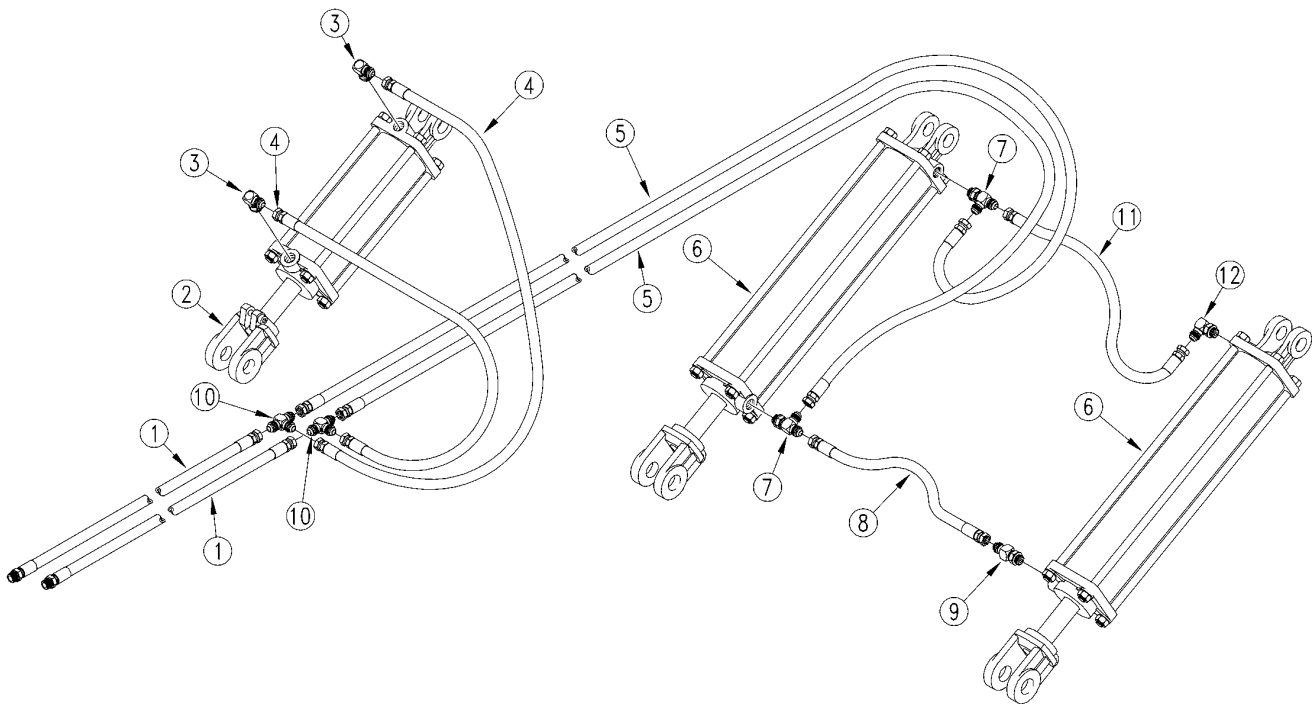
Hydraulic Cylinder 2 x 8 x 1.12 (810-299C)

(Applies to 3S-3000 HD, 3S-3000 HDF only)

Ref	Part No.	Part Description	Comments	Revision
	dwg15705	Image No.		
1.	1M6006	MW ROD CLEVIS		
2.	2M2316	MW ROD		
3.	3M2310	MW HEAD		
4.	4M2102	MW PISTON		
5.	5M2116	MW TUBE		
6.	6M2132	MW BASE		
7.	7M2316	MW TIE ROD		
8.	2A0208	MW CLEVIS PIN		
9.	2A0132	MW PIN CLIP		
10.		MW WIPER	Available in item 17 Only	
11.		MW U-CUP	Available in item 17 Only	
12.		MW O-RING	Available in item 17 Only	
13.		MW BACKUP	Available in item 17 Only	
14.	2A0022	MW NUT, PISTON		
15.	2A0012	MW NUT CLEVIS & TIE ROD		
16.	2A0006	MW CAPSCREW		
17.	810-310C	SEAL KIT MW 5A2104		

Transport Axle And Transport Hook Lift Hydraulics (S/N S1283-)

(Applies to 3S-3000 HD, 3S-3000 HDF only)



15471

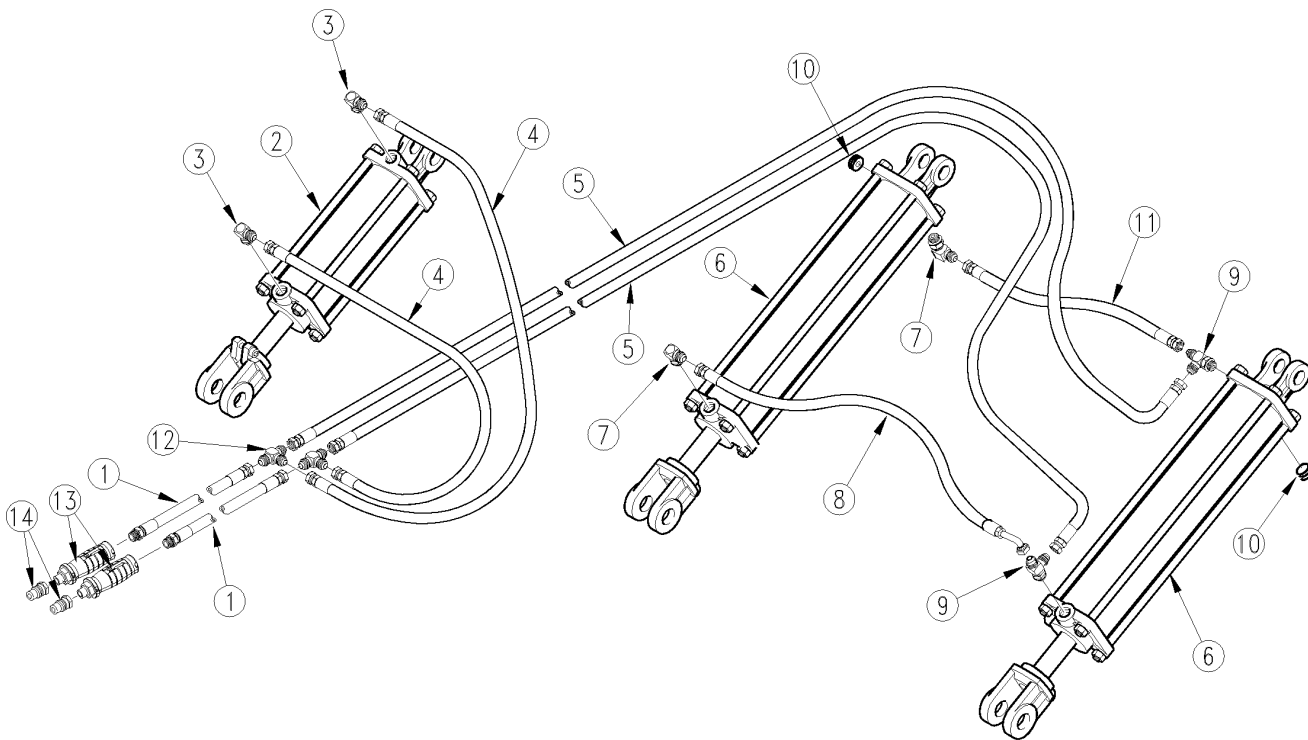
Transport Axle And Transport Hook Lift Hydraulics (S/N S1283-)

(Applies to 3S-3000 HD, 3S-3000 HDF only)

Ref	Part No.	Part Description	Comments	Revision
	dwg15471	Image No.		
1.	811-436C	HH1/4R1 156 9/16FJIC 1/2MNPT		
2.	810-104C	CYL 3.5X8X1.25 ROD (TIE) 1 PIN	Refer to "Transport Hook Midway Hydraulic Cylinder 3.5 x 8 x 1.25 (810-104C)", "Transport Hook Monarch Hydraulic Cylinder 3.5 x 8 x 1.25 (810-104C)" & "Transport Hook Cross Hydraulic Cylinder 3.5 x 8 x 1.25 (810-104C)" for breakdown.	
3.	811-171C	EL 3/4MORB 9/16MJIC		
4.	811-574C	HH1/4R1 040 9/16FJIC		
5.	811-252C	HH1/4R1 177 9/16FJIC		
6.	810-316C	CYL 3.5X12X1.25 ROD (TIE ROD)	Refer to "Transport Axle Midway Hydraulic Cylinder 3.5 x 12 x 1.25 (810-316C)" for breakdown.	
7.	811-064C	TE 9/16MJIC 9/16MJIC 9/16MORB		
8.	811-057C	HH1/4R2 020 9/16FJIC		
9.	811-170C	AD 9/16MORB 9/16MJIC		
10.	811-312C	TE 9/16MJIC		
11.	811-362C	HH1/4R1 025 9/16FJIC		
12.	811-065C	EL 9/16MJIC 9/16MORB		

Transport Axle And Transport Hook Lift Hydraulics (S/N S1283+)

(Applies to 3S-3000 HD, 3S-3000 HDF only)



17277

Transport Axle And Transport Hook Lift Hydraulics (S/N S1283+)

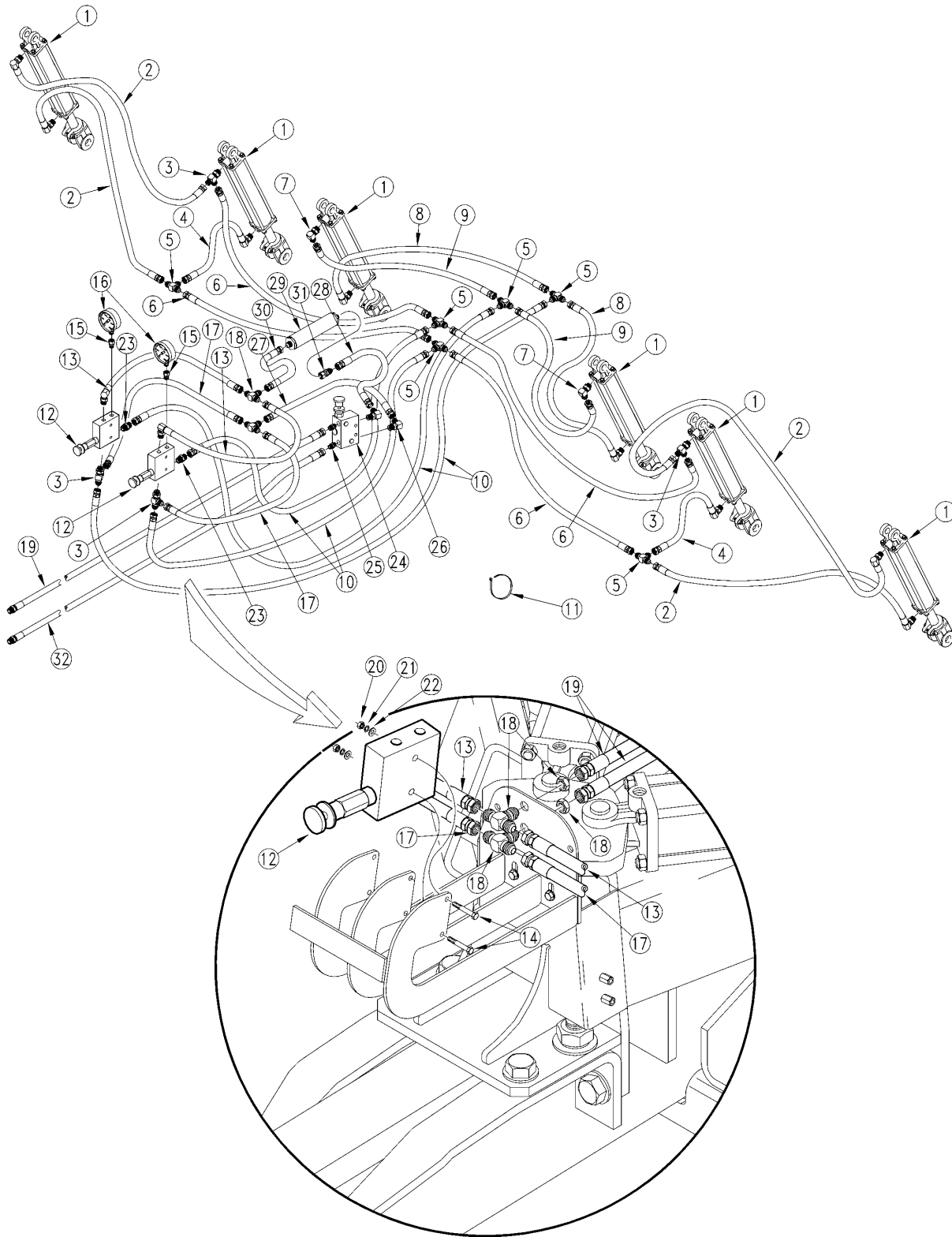
(Applies to 3S-3000 HD, 3S-3000 HDF only)

Ref	Part No.	Part Description	Comments	Revision
	dwg17277	Image No.		
1.	811-436C	HH1/4R1 156 9/16FJIC 1/2MNPT		
2.	810-104C	CYL 3.5X8X1.25 ROD (TIE) 1 PIN	Refer to "Transport Hook Midway Hydraulic Cylinder 3.5 x 8 x 1.25 (810-104C)", "Transport Hook Monarch Hydraulic Cylinder 3.5 x 8 x 1.25 (810-104C)" & "Transport Hook Cross Hydraulic Cylinder 3.5 x 8 x 1.25 (810-104C)" for breakdown.	
3.	811-171C	EL 3/4MORB 9/16MJIC		
4.	811-574C	HH1/4R1 040 9/16FJIC		
5.	811-252C	HH1/4R1 177 9/16FJIC		
6.	810-316C	CYL 3.5X12X1.25 ROD (TIE ROD)	Refer to "Transport Axle Midway Hydraulic Cylinder 3.5 x 12 x 1.25 (810-316C)" for breakdown.	
7.	811-065C	EL 9/16MJIC 9/16MORB		
8.	811-695C	HH1/4R2 025 9/16FJIC9/16FJIC90		
9.	811-064C	TE 9/16MJIC 9/16MJIC 9/16MORB		
10.	811-675C	PL 9/16MORB HEX HEAD		
11.	811-362C	HH1/4R1 025 9/16FJIC		
12.	811-312C	TE 9/16MJIC		
13.	548-006S	HG PAIR - BLUE MORB-FORB	Refer to Hydraulic Hose Grips for breakdown.	
14.	811-394C	CP 3/4FORB MALE QD POPPET TYPE		

[Table of Contents](#) [Part Number Index](#)

Opener Down Pressure Hydraulics (Closed Center) (S/N S1699-)

(Applies to 3S-3000 HD, 3S-3000 HDF only)



16095

Opener Down Pressure Hydraulics (Closed Center) (S/N S1699-)

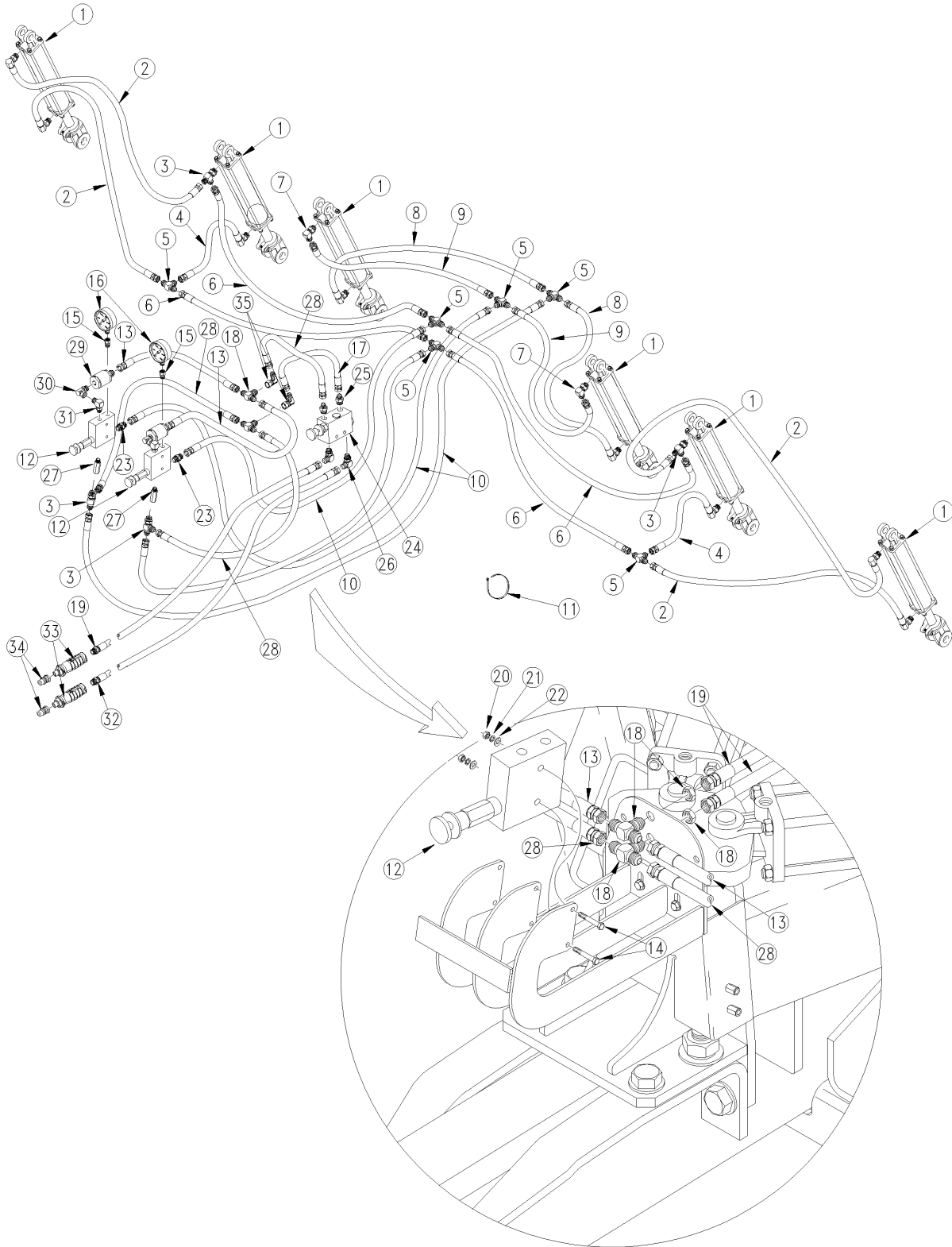
(Applies to 3S-3000 HD, 3S-3000 HDF only)

Ref	Part No.	Part Description	Comments	Revision
	dwg16095	Image No.		
1.	810-299C	CYL 2X8X1.12 ROD (TIE ROD)	Refer to Hydraulic Cylinder (810-299C 2X8X1.12 ROD) for breakdown	
2.	811-577C	HH1/4R1 100 9/16FJIC9/16MORM90		
3.	811-064C	TE 9/16MJIC 9/16MJIC 9/16MORB		
4.	811-590C	HH3/8R1 034 9/16FJIC9/16MORM90		
5.	811-312C	TE 9/16MJIC		
6.	811-586C	HH3/8R1 134 9/16FJIC		
7.	811-065C	EL 9/16MJIC 9/16MORB		
8.	811-578C	HH1/4R1 074 9/16FJIC9/16MORM90		
9.	811-589C	HH1/4R1 074 9/16FJIC		
10.	811-587C	HH3/8R1 092 9/16FJIC		
11.	800-082C	CABLE TIE .31X21.5 6DIA 120LB		
12.	810-301C	VALVE PRESS REDUCING W/CHECK	Refer to "Pressure Reducing Valve (810-301C)" for breakdown.	
13.	811-632C	HH3/8R1 021 9/16FJIC9/16MORB90		
14.	802-551C	HHCS 1/4-20X2 1/4 GR5		
15.	811-677C	AD 9/16MORB 1/4FNPT		
16.	810-300C	PRESSURE GAUGE 3000 PSI		
17.	811-631C	HH3/8R1 018 9/16FJIC		
18.	811-356C	TE 9/16MJIC BH 9/16MJIC 9/16MJ		
19.	811-585C	HH3/8R1 408 1/2MNPT 9/16FJIC		
20.	803-006C	NUT-HEX 1/4-20 PLT		
21.	804-006C	WASHER LOCK SPRING 1/4 PLT		
22.	804-075C	WASHER FLAT 1/4 USS PLT		
23.	811-170C	AD 9/16MORB 9/16MJIC		
24.	810-432C	HYDRAULIC BYPASS VALVE		
25.	811-133C	AD 9/16MJIC 3/4MORB		
26.	811-171C	EL 3/4MORB 9/16MJIC		
27.	811-631C	HH3/8R1 018 9/16FJIC		
28.	811-118C	HH3/8R1 041 9/16FJIC 3/4FJIC		
29.	810-410C	FILTER INLINE SHOEMAKER #8055		
30.	811-286C	HH3/8R2 020 3/4FJIC 9/16FJIC		
31.	811-146C	AD 3/4FJIC 9/16MJIC		
32.	811-796C	HH1/2R1 408 1/2MNPT 9/16FJIC		

[Table of Contents](#) [Part Number Index](#)

Opener Down Pressure Hydraulics (Closed Center) (S/N S1700+)

(Applies to 3S-3000 HD, 3S-3000 HDF only)



22965

Opener Down Pressure Hydraulics (Closed Center) (S/N S1700+)

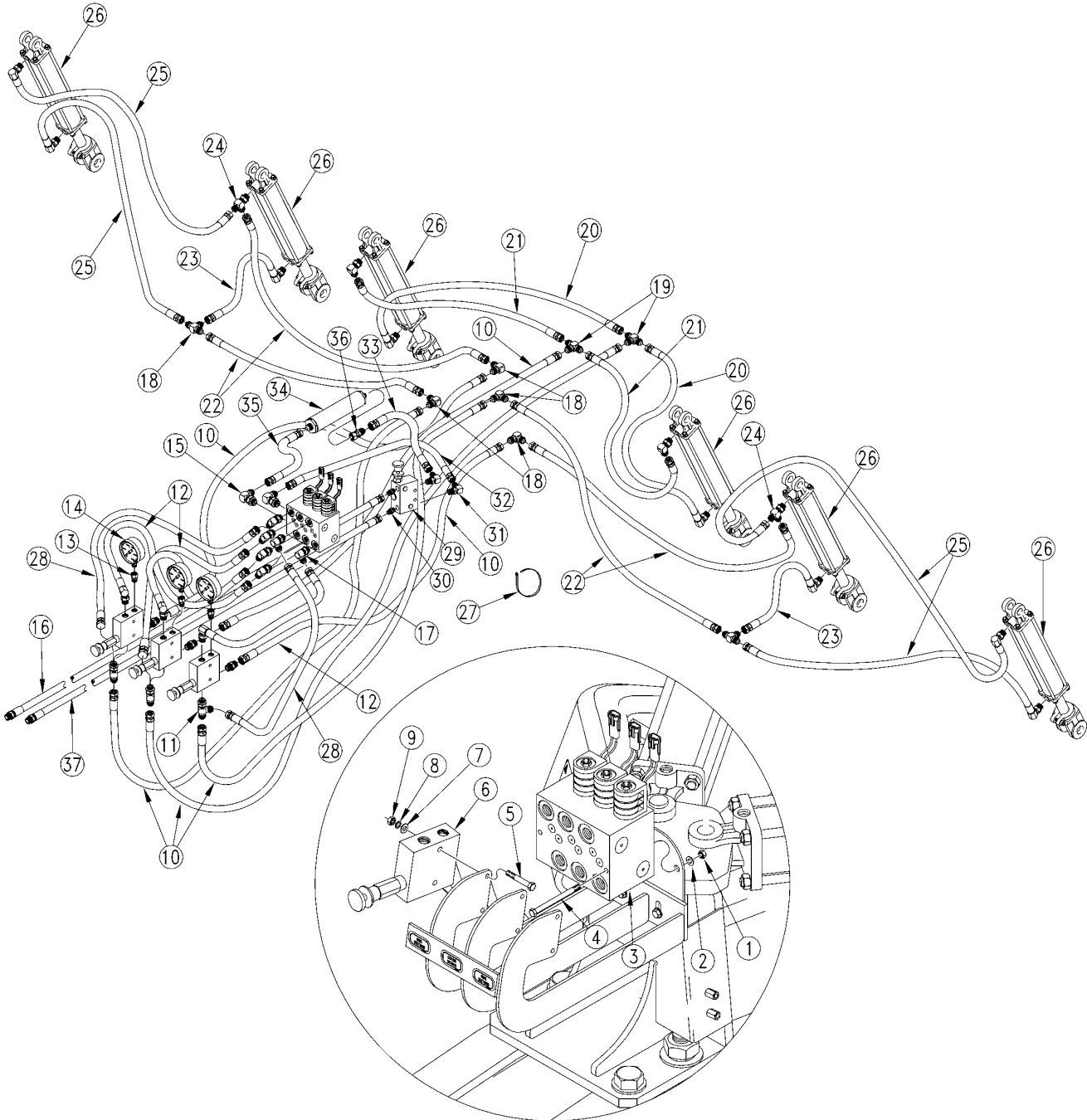
(Applies to 3S-3000 HD, 3S-3000 HDF only)

Ref	Part No.	Part Description	Comments	Revision
	dwg22965	Image No.		
1.	810-299C	CYL 2X8X1.12 ROD (TIE ROD)	Refer to Hydraulic Cylinder (810-299C 2X8X1.12 ROD) for breakdown	
2.	811-577C	HH1/4R1 100 9/16FJIC9/16MORM90		
3.	811-064C	TE 9/16MJIC 9/16MJIC 9/16MORB		
4.	811-590C	HH3/8R1 034 9/16FJIC9/16MORM90		
5.	811-312C	TE 9/16MJIC		
6.	811-586C	HH3/8R1 134 9/16FJIC		
7.	811-065C	EL 9/16MJIC 9/16MORB		
8.	811-578C	HH1/4R1 074 9/16FJIC9/16MORM90		
9.	811-589C	HH1/4R1 074 9/16FJIC		
10.	811-587C	HH3/8R1 092 9/16FJIC		
11.	800-082C	CABLE TIE .31X21.5 6DIA 120LB		
12.	810-301C	VALVE PRESS REDUCING W/CHECK	Refer to "Pressure Reducing Valve (810-301C)" for breakdown	
13.	811-286C	HH3/8R2 020 3/4FJIC 9/16FJIC		
14.	802-551C	HHCS 1/4-20X2 1/4 GR5		
15.	811-677C	AD 9/16MORB 1/4FNPT		
16.	810-300C	PRESSURE GAUGE 3000 PSI		
17.	841-687C	HH3/8R2 013 9/16FJIC		
18.	811-356C	TE 9/16MJIC BH 9/16MJIC 9/16MJ		
19.	811-585C	HH3/8R1 408 1/2MNPT 9/16FJIC		
20.	803-006C	NUT-HEX 1/4-20 PLT		
21.	804-006C	WASHER LOCK SPRING 1/4 PLT		
22.	804-075C	WASHER FLAT 1/4 USS PLT		
23.	811-170C	AD 9/16MORB 9/16MJIC		
24.	810-432C	HYDRAULIC BYPASS VALVE		
25.	811-133C	AD 9/16MJIC 3/4MORB		
26.	811-171C	EL 3/4MORB 9/16MJIC		
27.	851-310C	VALVE INLINE CHECK SAE 6	(S/N S2990+)	
28.	811-631C	HH3/8R1 018 9/16FJIC		
29.	810-554C	FILTER INLINE 3/4FORB 3/4MJIC	For replacement screen order 810-553C	
30.	841-077C	EL 3/4FJIC 3/4MORB		
31.	811-216C	EL 3/4MJIC 1/16MORB		
32.	811-796C	HH1/2R1 408 1/2MNPT 9/16FJIC		
33.	548-002S	HG PAIR - RED MORB-FORB	Refer to Hydraulic Hose Grips for breakdown.	
34.	811-394C	CP 3/4FORB MALE QD POPPET TYPE		
35.	811-169C	EL 9/16MJIC 9/16FJIC		

[Table of Contents](#) [Part Number Index](#)

Opener Down Pressure Hydraulics With Point Row (Option) (S/N S1699-)

(Applies to 3S-3000 HD, 3S-3000 HDF only)



17026

Opener Down Pressure Hydraulics With Point Row (Option) (S/N S1699-)

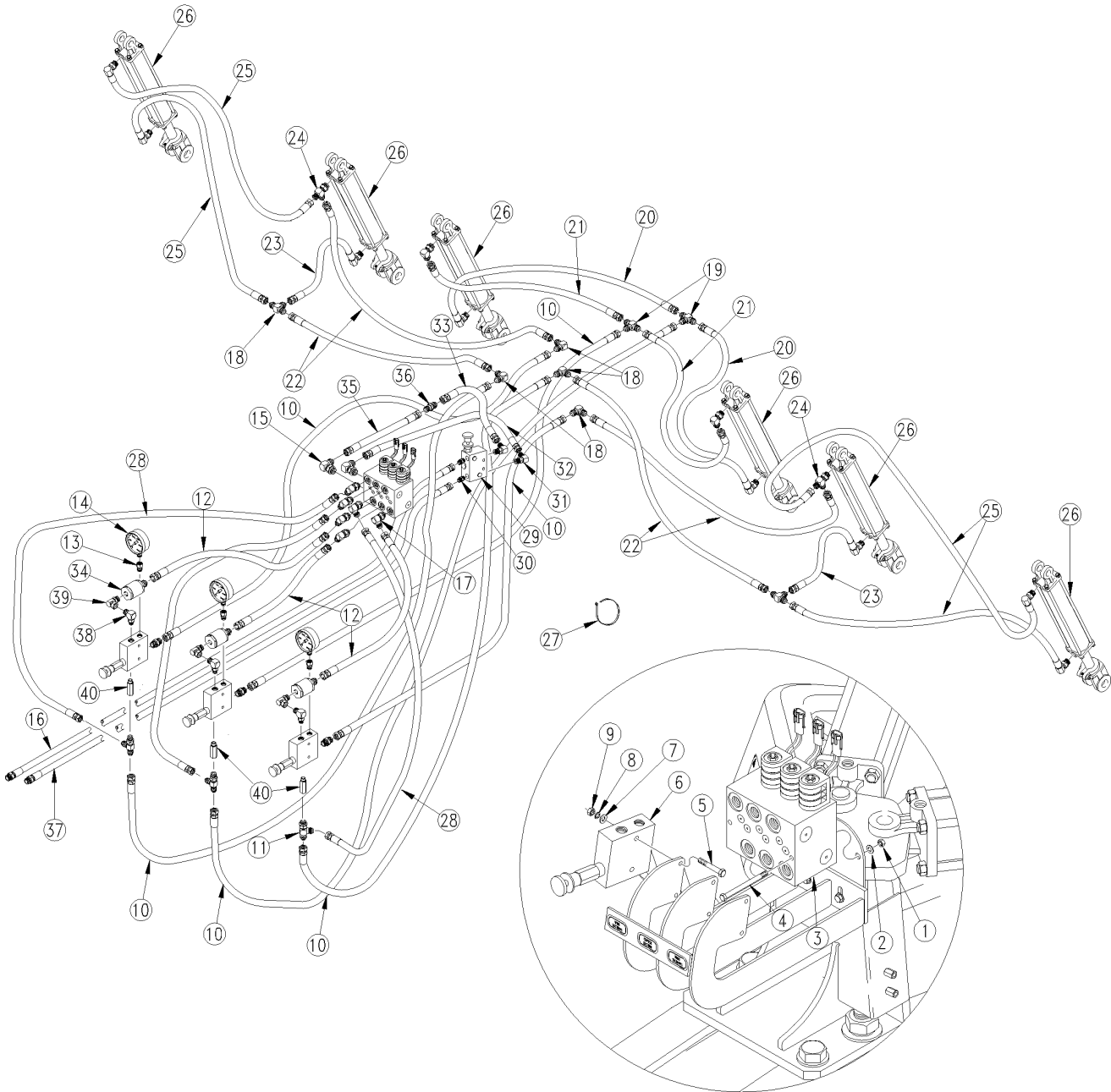
(Applies to 3S-3000 HD, 3S-3000 HDF only)

Ref	Part No.	Part Description	Comments	Revision
	dwg17026	Image No.		
1.	803-013C	NUT LOCK 3/8-16 PLT		
2.	804-011C	WASHER FLAT 3/8 USS PLT		
3.	810-371C	MANIFOLD ASY 3S-3000 POINT ROW	Refer to "Manifold Block (810-371C) (Option)" for breakdown	
4.	802-026C	HHCS 3/8-16X3 3/4 GR5		
5.	802-551C	HHCS 1/4-20X2 1/4 GR5		
6.	810-301C	VALVE PRESS REDUCING W/CHECK	Refer to "Pressure Reducing Valve (810-301C)" for breakdown.	
7.	804-075C	WASHER FLAT 1/4 USS PLT		
8.	804-006C	WASHER LOCK SPRING 1/4 PLT		
9.	803-006C	NUT-HEX 1/4-20 PLT		
10.	811-587C	HH3/8R1 092 9/16FJIC		
11.	811-064C	TE 9/16MJIC 9/16MJIC 9/16MORB		
12.	811-632C	HH3/8R1 021 9/16FJIC9/16MORB90		
13.	811-677C	AD 9/16MORB 1/4FNPT		
14.	810-300C	PRESSURE GAUGE 3000 PSI		
15.	811-171C	EL 3/4MORB 9/16MJIC		
16.	811-585C	HH3/8R1 408 1/2MNPT 9/16FJIC		
17.	811-065C	EL 9/16MJIC 9/16MORB		
18.	811-393C	EL 9/16MJIC		
19.	811-312C	TE 9/16MJIC		
20.	811-578C	HH1/4R1 074 9/16FJIC9/16MORM90		
21.	811-589C	HH1/4R1 074 9/16FJIC		
22.	811-586C	HH3/8R1 134 9/16FJIC		
23.	811-590C	HH3/8R1 034 9/16FJIC9/16MORM90		
24.	811-064C	TE 9/16MJIC 9/16MJIC 9/16MORB		
25.	811-577C	HH1/4R1 100 9/16FJIC9/16MORM90		
26.	810-299C	CYL 2X8X1.12 ROD (TIE ROD)	Refer to Hydraulic Cylinder (810-299C 2X8X1.12 ROD) for breakdown	
27.	800-082C	CABLE TIE .31X21.5 6DIA 120LB		
28.	811-631C	HH3/8R1 018 9/16FJIC		
29.	810-432C	HYDRAULIC BYPASS VALVE		
30.	811-133C	AD 9/16MJIC 3/4MORB		
31.	811-171C	EL 3/4MORB 9/16MJIC		
32.	811-631C	HH3/8R1 018 9/16FJIC		
33.	811-118C	HH3/8R1 041 9/16FJIC 3/4FJIC		
34.	810-410C	FILTER INLINE SHOEMAKER #8055		
35.	811-286C	HH3/8R2 020 3/4FJIC 9/16FJIC		
36.	811-146C	AD 3/4FJIC 9/16MJIC		
37.	811-796C	HH1/2R1 408 1/2MNPT 9/16FJIC		

Table of Contents Part Number Index

Opener Down Pressure Hydraulics With Point Row (Option) (S/N S1700+)

(Applies to 3S-3000 HD, 3S-3000 HDF only)



22966

Opener Down Pressure Hydraulics With Point Row (Option) (S/N S1700+)

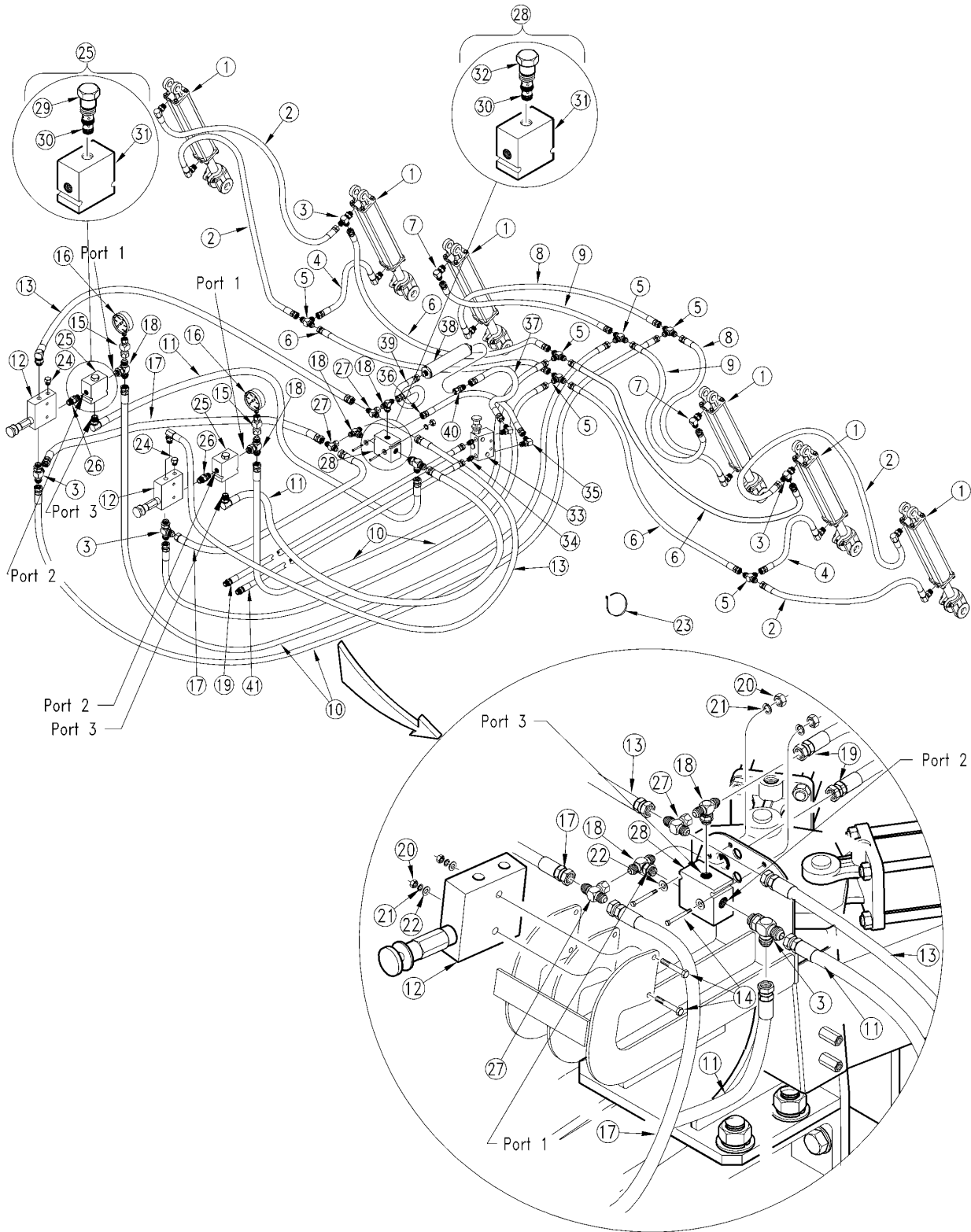
(Applies to 3S-3000 HD, 3S-3000 HDF only)

Ref	Part No.	Part Description	Comments	Revision
	dwg22966	Image No.		
1.	803-013C	NUT LOCK 3/8-16 PLT		
2.	804-011C	WASHER FLAT 3/8 USS PLT		
3.	810-371C	MANIFOLD ASY 3S-3000 POINT ROW	Refer to "Manifold Block (810-371C) (Option)" for breakdown	
4.	802-026C	HHCS 3/8-16X3 3/4 GR5		
5.	802-551C	HHCS 1/4-20X2 1/4 GR5		
6.	810-301C	VALVE PRESS REDUCING W/CHECK	Refer to "Pressure Reducing Valve (810-301C)" for breakdown	
7.	804-075C	WASHER FLAT 1/4 USS PLT		
8.	804-006C	WASHER LOCK SPRING 1/4 PLT		
9.	803-006C	NUT-HEX 1/4-20 PLT		
10.	811-587C	HH3/8R1 092 9/16FJIC		
11.	811-064C	TE 9/16MJIC 9/16MJIC 9/16MORB		
12.	811-286C	HH3/8R2 020 3/4FJIC 9/16FJIC		
13.	811-677C	AD 9/16MORB 1/4FNPT		
14.	810-300C	PRESSURE GAUGE 3000 PSI		
15.	811-171C	EL 3/4MORB 9/16MJIC		
16.	811-585C	HH3/8R1 408 1/2MNPT 9/16FJIC		
17.	811-065C	EL 9/16MJIC 9/16MORB		
18.	811-393C	EL 9/16MJIC		
19.	811-312C	TE 9/16MJIC		
20.	811-578C	HH1/4R1 074 9/16FJIC9/16MORM90		
21.	811-589C	HH1/4R1 074 9/16FJIC		
22.	811-586C	HH3/8R1 134 9/16FJIC		
23.	811-590C	HH3/8R1 034 9/16FJIC9/16MORM90		
24.	811-064C	TE 9/16MJIC 9/16MJIC 9/16MORB		
25.	811-577C	HH1/4R1 100 9/16FJIC9/16MORM90		
26.	810-299C	CYL 2X8X1.12 ROD (TIE ROD)	Refer to Hydraulic Cylinder (810-299C 2X8X1.12 ROD) for breakdown	
27.	800-082C	CABLE TIE .31X21.5 6DIA 120LB		
28.	811-631C	HH3/8R1 018 9/16FJIC		
29.	810-432C	HYDRAULIC BYPASS VALVE		
30.	811-133C	AD 9/16MJIC 3/4MORB		
31.	811-171C	EL 3/4MORB 9/16MJIC		
32.	811-631C	HH3/8R1 018 9/16FJIC		
33.	811-118C	HH3/8R1 041 9/16FJIC 3/4FJIC		
34.	810-554C	FILTER INLINE 3/4FORB 3/4MJIC	For replacement screen order 810-553C	
35.	811-286C	HH3/8R2 020 3/4FJIC 9/16FJIC		
36.	811-430C	AD 3/4MJIC 3/4MJIC		
37.	811-796C	HH1/2R1 408 1/2MNPT 9/16FJIC		
38.	811-216C	EL 3/4MJIC 9/16MORB		
39.	841-077C	EL 3/4FJIC 3/4MORB		
40.	851-310C	VALVE INLINE CHECK SAE 6	(S/N S2990+)	

Table of Contents Part Number Index

Opener Down Pressure Hydraulics (Open Center) (S/N S1699-)

(Applies to 3S-3000 HD, 3S-3000 HDF only)



16096

Opener Down Pressure Hydraulics (Open Center) (S/N S1699-)

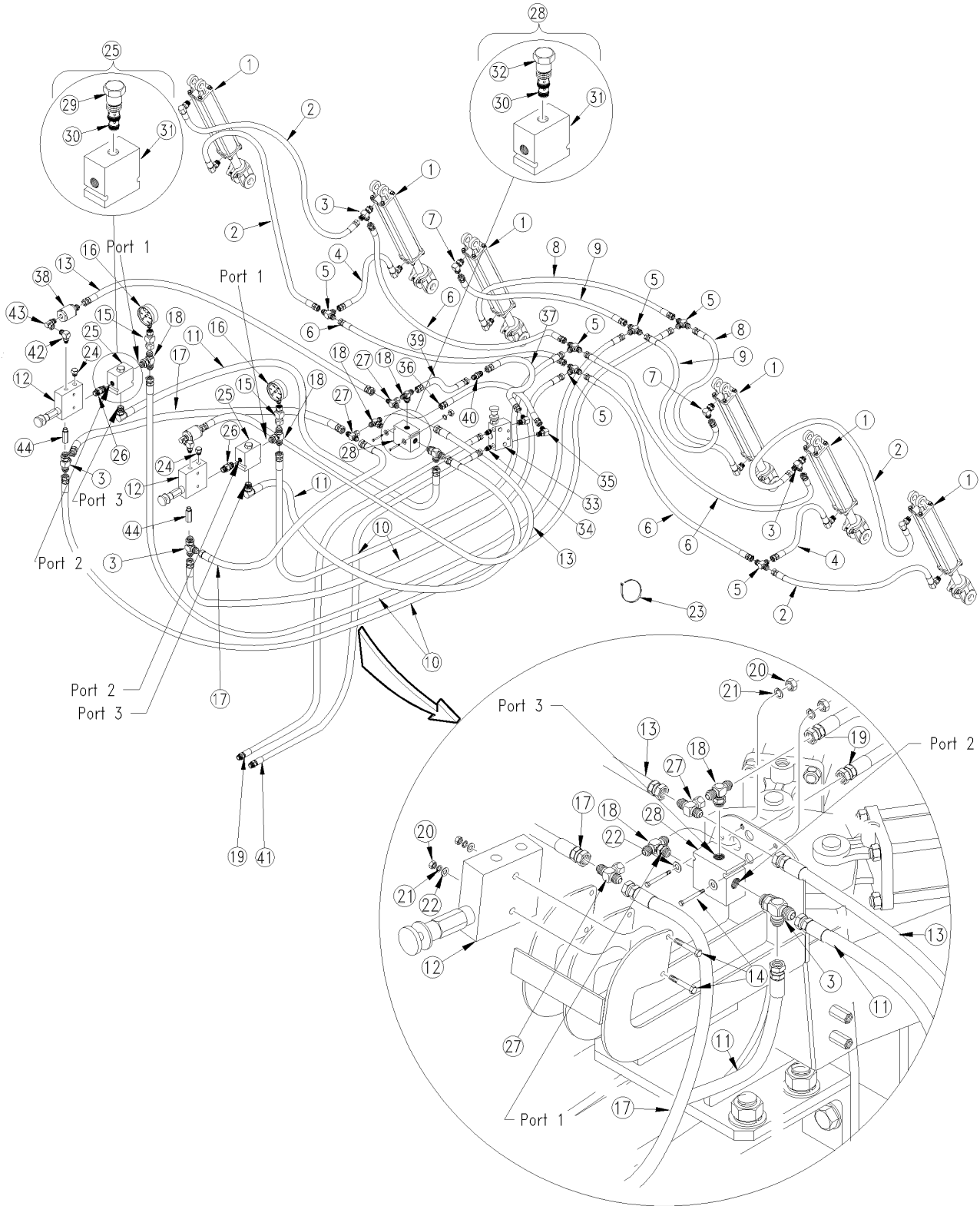
(Applies to 3S-3000 HD, 3S-3000 HDF only)

Ref	Part No.	Part Description	Comments	Revision
	dwg16096	Image No.		
1.	810-299C	CYL 2X8X1.12 ROD (TIE ROD)	Refer to Hydraulic Cylinder (810-299C 2X8X1.12 ROD) for breakdown	
2.	811-577C	HH1/4R1 100 9/16FJIC9/16MORM90		
3.	811-064C	TE 9/16MJIC 9/16MJIC 9/16MORB		
4.	811-590C	HH3/8R1 034 9/16FJIC9/16MORM90		
5.	811-312C	TE 9/16MJIC		
6.	811-586C	HH3/8R1 134 9/16FJIC		
7.	811-065C	EL 9/16MJIC 9/16MORB		
8.	811-578C	HH1/4R1 074 9/16FJIC9/16MORM90		
9.	811-589C	HH1/4R1 074 9/16FJIC		
10.	811-587C	HH3/8R1 092 9/16FJIC		
11.	811-531C	HH1/4R2 018 9/16FJIC9/16MORB90		
12.	810-301C	VALVE PRESS REDUCING W/CHECK		
13.	811-632C	HH3/8R1 021 9/16FJIC9/16MORB90		
14.	802-551C	HHCS 1/4-20X2 1/4 GR5		
15.	811-582C	AD 9/16FJIC 1/4FNPT		
16.	810-300C	PRESSURE GAUGE 3000 PSI		
17.	811-631C	HH3/8R1 018 9/16FJIC		
18.	811-439C	TE 9/16MORB 9/16MJIC 9/16MJIC		
19.	811-585C	HH3/8R1 408 1/2MNPT 9/16FJIC		
20.	803-006C	NUT-HEX 1/4-20 PLT		
21.	804-006C	WASHER LOCK SPRING 1/4 PLT		
22.	804-075C	WASHER FLAT 1/4 USS PLT		
23.	800-082C	CABLE TIE .31X21.5 6DIA 120LB		
24.	811-675C	PL 9/16MORB HEX HEAD		
25.	810-343C	VALVE PO CHECK 2:1 W/9/16FORB		
26.	811-636C	AD 9/16MORB STRAIGHT UNION		
27.	811-193C	TE 9/16FJIC 9/16MJIC 9/16MJIC		
28.	810-344C	VALVE SHUTTLE 9/16FORB PORTS		
29.	810-293C	VALVE P O CHECK DELTA 85002692		
30.	810-303C	SEAL KIT 7/8-14 DELTA 21170040	Refer To Chart on "Pressure Reducing Valve (810-301C)".	
31.	30102360	DELTA BODY ONLY FS#6 SAE PORTS		
32.	85002946	DELTA SHUTTLE VALVE CARTRIDGE		
33.	810-432C	HYDRAULIC BYPASS VALVE		
34.	811-133C	AD 9/16MJIC 3/4MORB		
35.	811-171C	EL 3/4MORB 9/16MJIC		
36.	811-631C	HH3/8R1 018 9/16FJIC		
37.	811-118C	HH3/8R1 041 9/16FJIC 3/4FJIC		
38.	810-410C	FILTER INLINE SHOEMAKER #8055		
39.	811-286C	HH3/8R2 020 3/4FJIC 9/16FJIC		
40.	811-146C	AD 3/4FJIC 9/16MJIC		
41.	811-796C	HH1/2R1 408 1/2MNPT 9/16FJIC		

Table of Contents Part Number Index

Opener Down Pressure Hydraulics (Open Center) (S/N S1700+)

(Applies to 3S-3000 HD, 3S-3000 HDF only)



22967

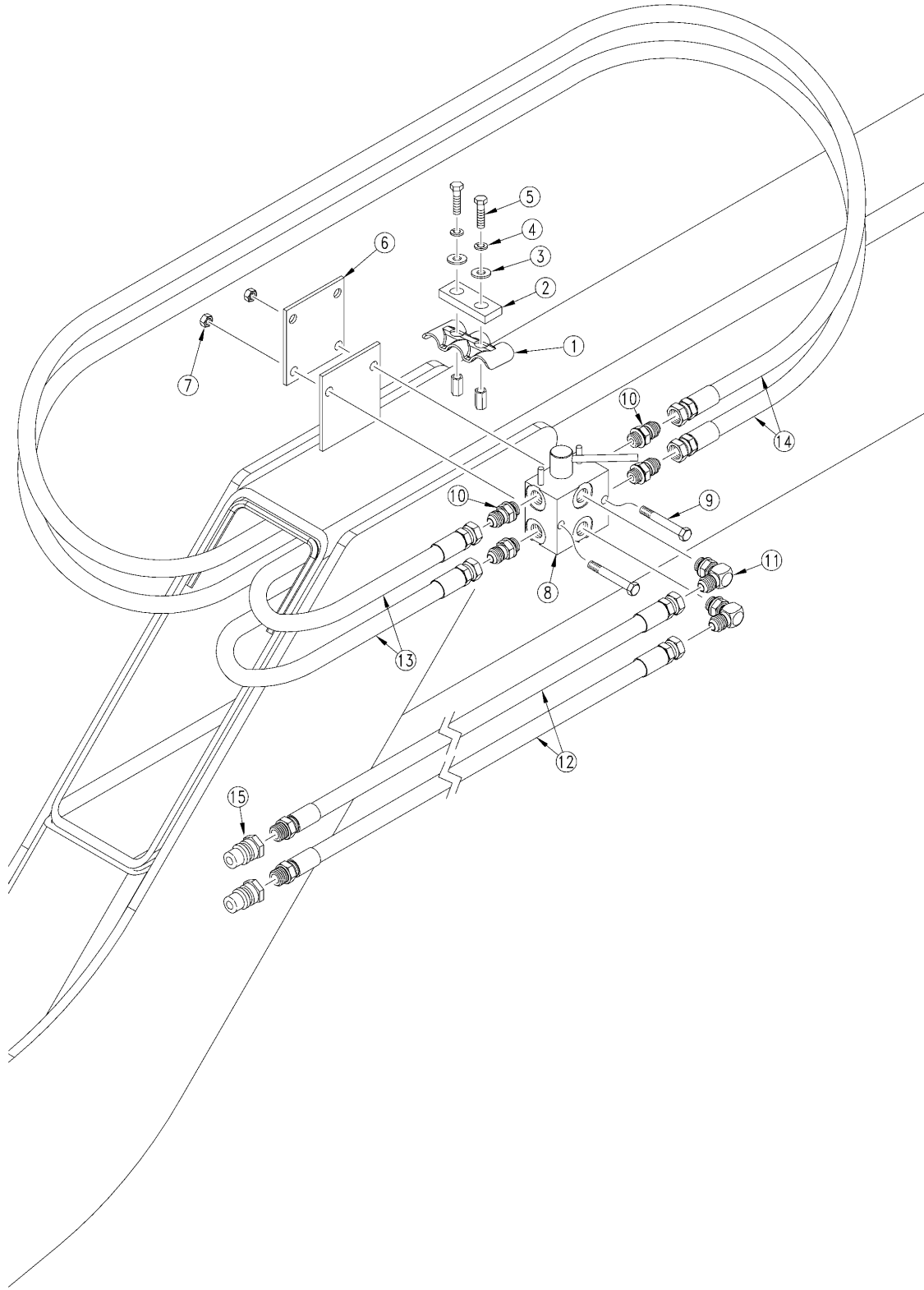
Opener Down Pressure Hydraulics (Open Center) (S/N S1700+)

(Applies to 3S-3000 HD, 3S-3000 HDF only)

Ref	Part No.	Part Description	Comments	Revision
	dwg22967	Image No.		
1.	810-299C	CYL 2X8X1.12 ROD (TIE ROD)	Refer to Hydraulic Cylinder (810-299C 2X8X1.12 ROD) for breakdown	
2.	811-577C	HH1/4R1 100 9/16FJIC9/16MORM90		
3.	811-064C	TE 9/16MJIC 9/16MJIC 9/16MORB		
4.	811-590C	HH3/8R1 034 9/16FJIC9/16MORM90		
5.	811-312C	TE 9/16MJIC		
6.	811-586C	HH3/8R1 134 9/16FJIC		
7.	811-065C	EL 9/16MJIC 9/16MORB		
8.	811-578C	HH1/4R1 074 9/16FJIC9/16MORM90		
9.	811-589C	HH1/4R1 074 9/16FJIC		
10.	811-587C	HH3/8R1 092 9/16FJIC		
11.	811-531C	HH1/4R2 018 9/16FJIC9/16MORB90		
12.	810-301C	VALVE PRESS REDUCING W/CHECK		
13.	811-286C	HH3/8R2 020 3/4FJIC 9/16FJIC		
14.	802-551C	HHCS 1/4-20X2 1/4 GR5		
15.	811-582C	AD 9/16FJIC 1/4FNPT		
16.	810-300C	PRESSURE GAUGE 3000 PSI		
17.	811-631C	HH3/8R1 018 9/16FJIC		
18.	811-439C	TE 9/16MORB 9/16MJIC 9/16MJIC		
19.	811-585C	HH3/8R1 408 1/2MNPT 9/16FJIC		
20.	803-006C	NUT-HEX 1/4-20 PLT		
21.	804-006C	WASHER LOCK SPRING 1/4 PLT		
22.	804-075C	WASHER FLAT 1/4 USS PLT		
23.	800-082C	CABLE TIE .31X21.5 6DIA 120LB		
24.	811-675C	PL 9/16MORB HEX HEAD		
25.	810-343C	VALVE PO CHECK 2:1 W/9/16FORB		
26.	811-636C	AD 9/16MORB STRAIGHT UNION		
27.	811-193C	TE 9/16FJIC 9/16MJIC 9/16MJIC		
28.	810-344C	VALVE SHUTTLE 9/16FORB PORTS		
29.	810-293C	VALVE P O CHECK DELTA 85002692		
30.	810-303C	SEAL KIT 7/8-14 DELTA 21170040	Refer To Chart on "Pressure Reducing Valve (810-301C)"	
31.	30102360	DELTA BODY ONLY FS#6 SAE PORTS		
32.	85002946	DELTA SHUTTLE VALVE CARTRIDGE		
33.	810-432C	HYDRAULIC BYPASS VALVE		
34.	811-133C	AD 9/16MJIC 3/4MORB		
35.	811-171C	EL 3/4MORB 9/16MJIC		
36.	811-631C	HH3/8R1 018 9/16FJIC		
37.	811-118C	HH3/8R1 041 9/16FJIC 3/4FJIC		
38.	810-554C	FILTER INLINE 3/4FORB 3/4MJIC	For replacement screen order 810-553C	
39.	811-286C	HH3/8R2 020 3/4FJIC 9/16FJIC		
40.	811-430C	AD 3/4MJIC 3/4MJIC		
41.	811-796C	HH1/2R1 408 1/2MNPT 9/16FJIC		
42.	811-216C	EL 3/4MJIC 9/16MORB		
43.	841-077C	EL 3/4FJIC 3/4MORB		
44.	851-310C	VALVE INLINE CHECK SAE 6	(S/N S2990+)	

Double Selector Valve Mounting

(Applies to 3S-3000 HD, 3S-3000 HDF only)



27020

Double Selector Valve Mounting

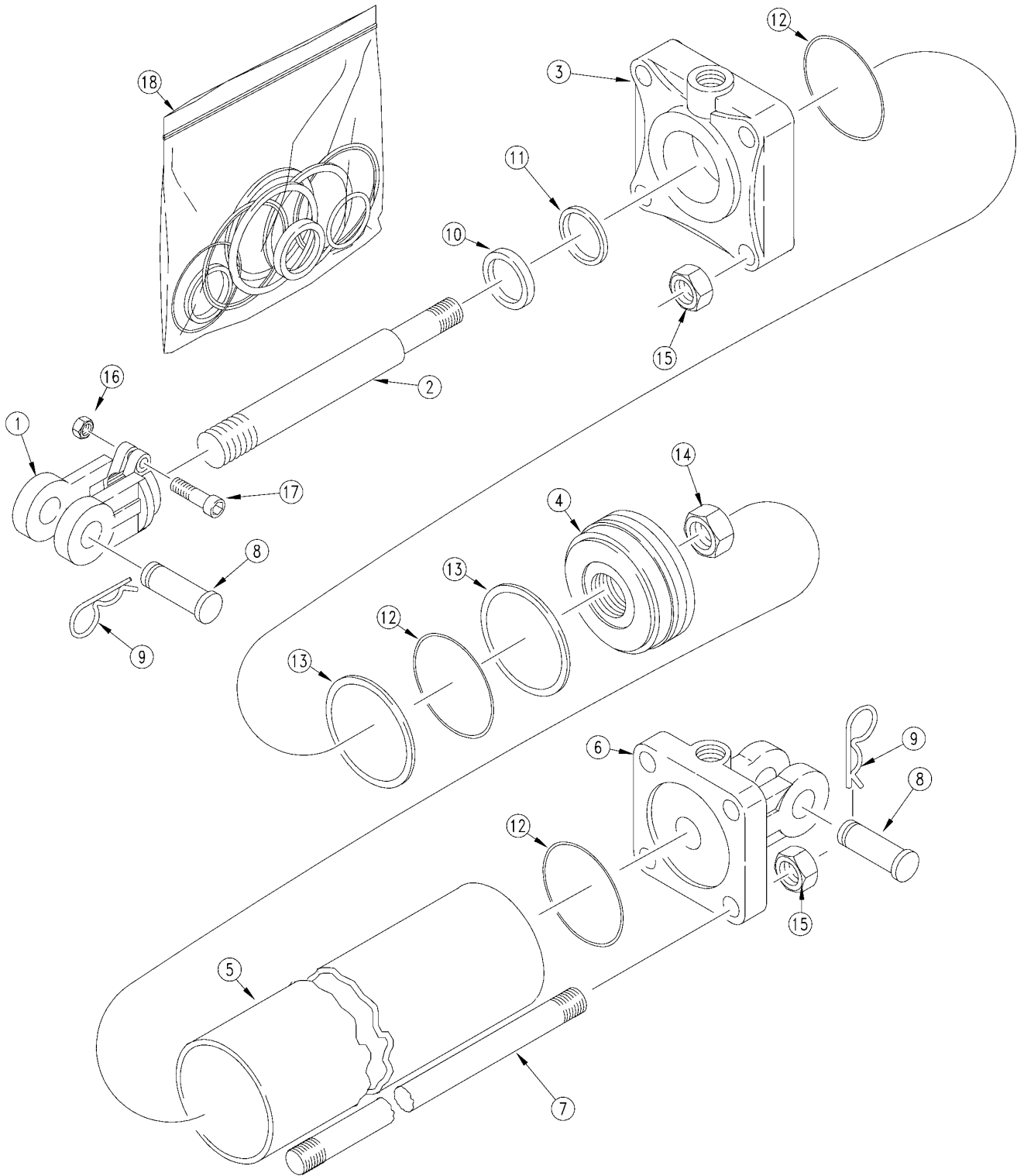
(Applies to 3S-3000 HD, 3S-3000 HDF only)

Ref	Part No.	Part Description	Comments	Revision
	dwg27020	Image No.		
1.	196-146D	3-HOSE CLAMP BRACKET		
2.	196-885D	HOSE CLAMP HOLDDOWN		
3.	804-010C	WASHER FLAT 5/16 USS PLT		
4.	804-009C	WASHER LOCK SPRING 5/16 PLT		
5.	802-010C	HHCS 5/16-18X1 1/4 GR5		
6.	194-249D	BRACKET, 2ND SELECTOR VALVE		
7.	803-013C	NUT LOCK 3/8-16 PLT		
8.	810-274C	DOUBLE SELECTOR VALVE 3/4FORB		
9.	802-168C	HHCS 3/8-16X3 1/4 GR5		
10.	811-021C	AD 1/2FNPTS 3/4MORB		
11.	811-063C	EL 3/4MJIC 3/4MORB		
12.	811-272C	HH1/2R2 096 3/4MORB 3/4FJIC		
13.	811-181C	HH1/4R1 405 1/2MNPT 9/16FJIC		
14.	811-585C	HH3/8R1 408 1/2MNPT 9/16FJIC		
15.	811-394C	CP 3/4FORB MALE QD POPPET TYPE		

[Table of Contents](#) [Part Number Index](#)

Transport Hook Midway Hydraulic Cylinder 3.5 x 8 x 1.25 (810-104C)

(Applies to 3S-3000 HD, 3S-3000 HDF only)



15702

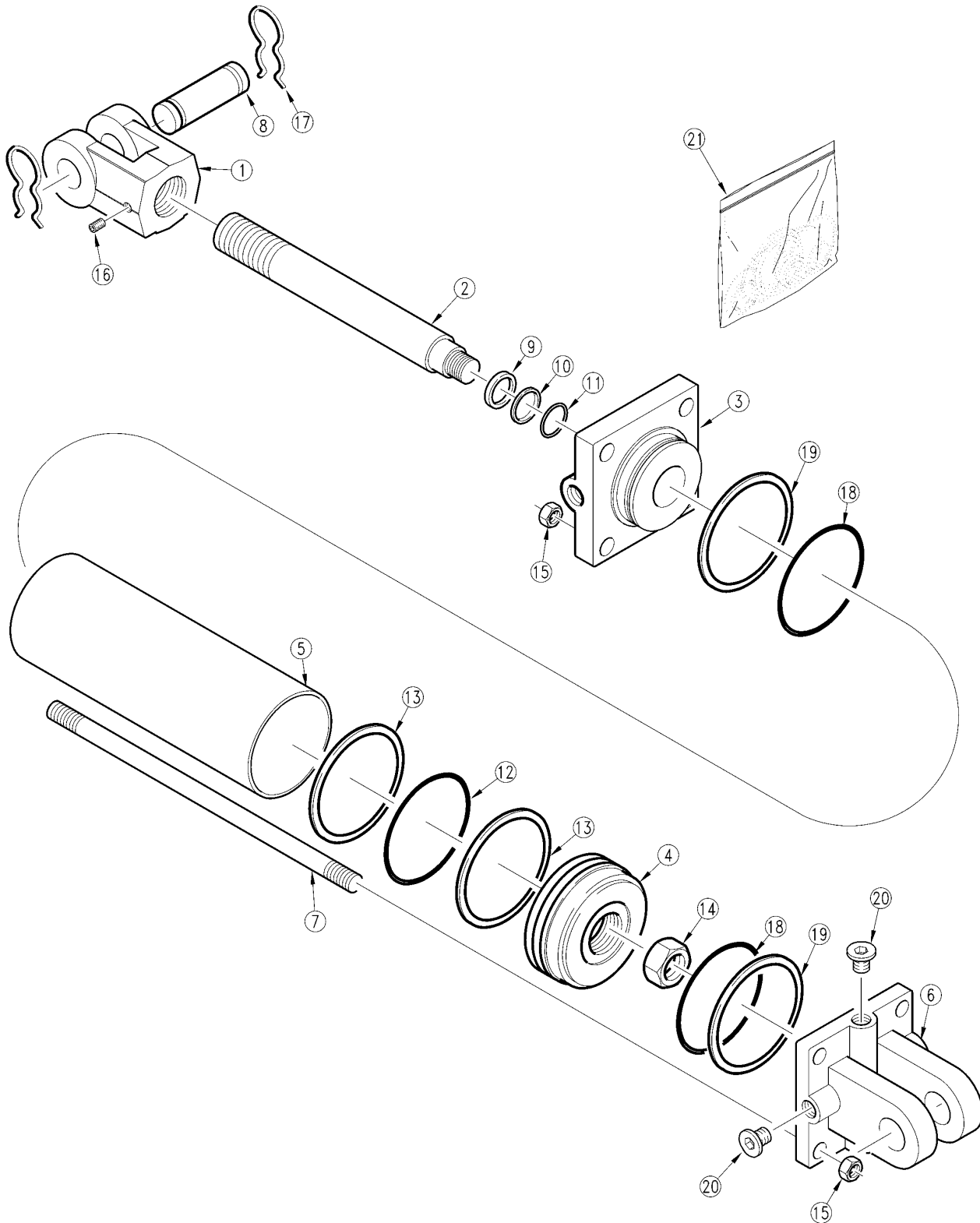
Transport Hook Midway Hydraulic Cylinder 3.5 x 8 x 1.25 (810-104C)

(Applies to 3S-3000 HD, 3S-3000 HDF only)

Ref	Part No.	Part Description	Comments	Revision
	dwg15702	Image No.		
1.	1M7016	CLEVIS ROD MIDWAY		
2.	2M5416	MW ROD		
3.	3R3412	MW HEAD		
4.	4M5102	RPBY 4M5108		
5.	5M5116	MW TUBE 3 1/2 X 8 CYLINDER		
6.	6R3164	BASE MIDWAY		
7.	7M5316	MW TIE ROD		
8.	2A0208	RPBY 805-124C		
9.	2A0132	MW PIN CLIP		
10.	2A0024	MW PISTON NUT 1-14		
11.		U-CUP	Only found in seal kit 18	
12.		O-RING	Only found in seal kit 18	
13.		BACKUP RING	Only found in seal kit 18	
14.		WIPERSEAL	Only found in seal kit 18	
15.	2A0016	MW TIE ROD NUT		
16.	2A0012	RPBY 803-234C		
17.	2A0006	RPBY 802-023C		
18.	810-149C	SEAL KIT MW (5A5102) 3.5X1.25R		

Transport Hook Monarch Hydraulic Cylinder 3.5 x 8 x 1.25 (810-104C)

(Applies to 3S-3000 HD, 3S-3000 HDF only)



15475

Transport Hook Monarch Hydraulic Cylinder 3.5 x 8 x 1.25 (810-104C)

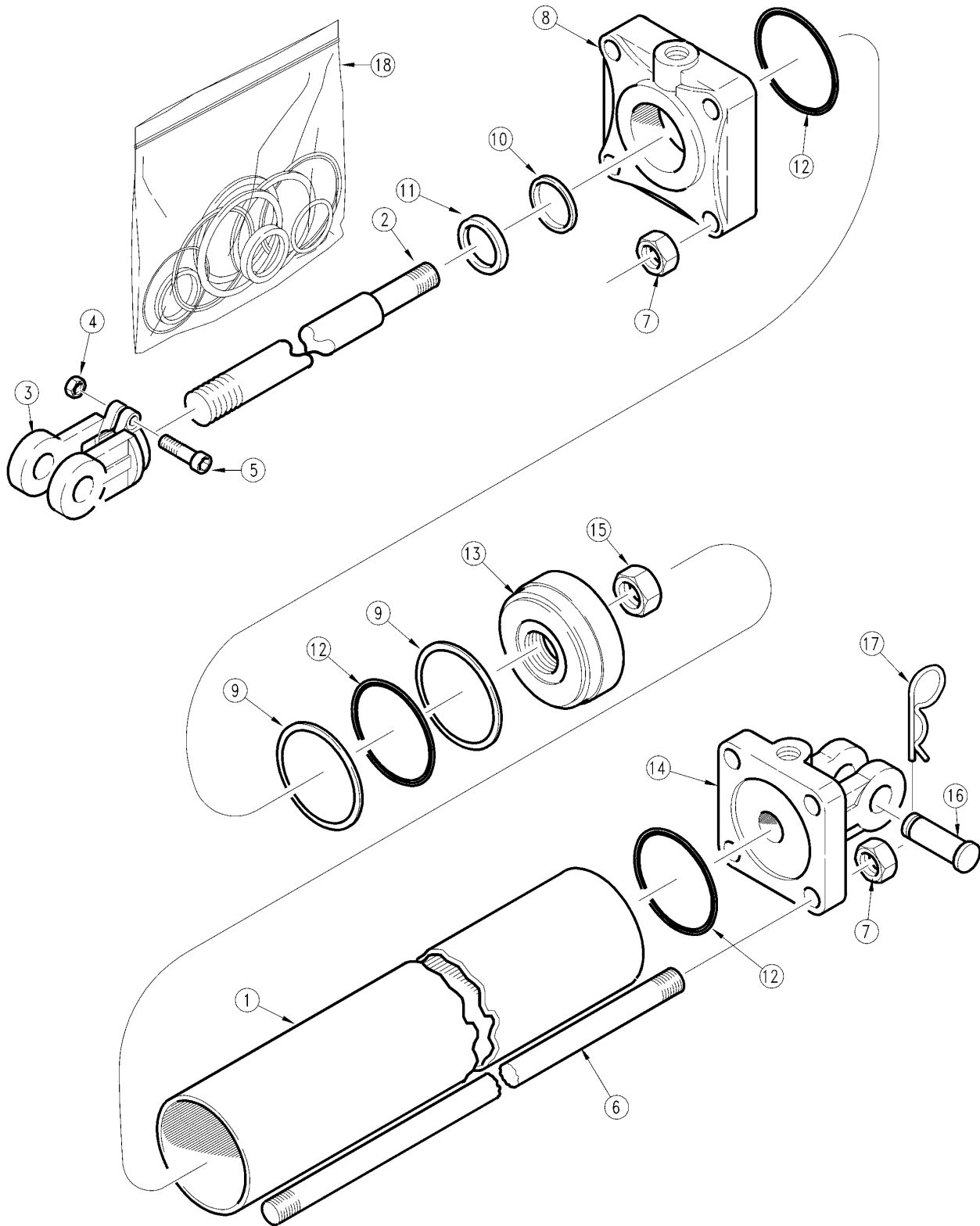
(Applies to 3S-3000 HD, 3S-3000 HDF only)

Ref	Part No.	Part Description	Comments	Revision
	dwg15475	Image No.		
1.	492652	LION ROD CLEVIS 1 1/4 (1PIN)		
2.	492700	LION ROD 1.25 DIA. ASAE 8		
3.	492677	LION ROD CAP 3.5 X 1 1/4 ORB		
4.	492528	LION PISTON 3.5 DIA CST DI		
5.	491798	LION CYL. TUBE 3.5 X 8		
6.	492676	LION CLEVIS CAP 3.5 ORB		
7.	492338	LION TIE ROD 5/8 X 8		
8.	134953	LION PIN		
9.		WIPER SEAL	Only found in seal kit 21	
10.		O-RING	Only found in seal kit 21	
11.		BACKUP RING	Only found in seal kit 21	
12.		O-RING	Only found in seal kit 21	
13.		BACKUP RING	Only found in seal kit 21	
14.	129110	LION NUT HEX 1-14UNS GR5 PHOSP		
15.	803-022C	NUT HEX 5/8-18 PLT		
16.	801-023C	SCREW SET SH 3/8-16X3/8 TYPE C		
17.	134952	LION PIN CLIP-CLEVIS		
18.		O-RING	Only found in seal kit 21	
19.		BACKUP RING	Only found in seal kit 21	
20.	186562	LION PLUG 3/4-16UNF SOCKET HD		
21.	810-256C	SEAL KIT LN 639577 3.5BX1.25RD		

[Table of Contents](#) [Part Number Index](#)

Transport Hook Cross Hydraulic Cylinder 3.5 x 8 x 1.25 (810-104C)

(Applies to 3S-3000 HD, 3S-3000 HDF only)



15704

Transport Hook Cross Hydraulic Cylinder 3.5 x 8 x 1.25 (810-104C)

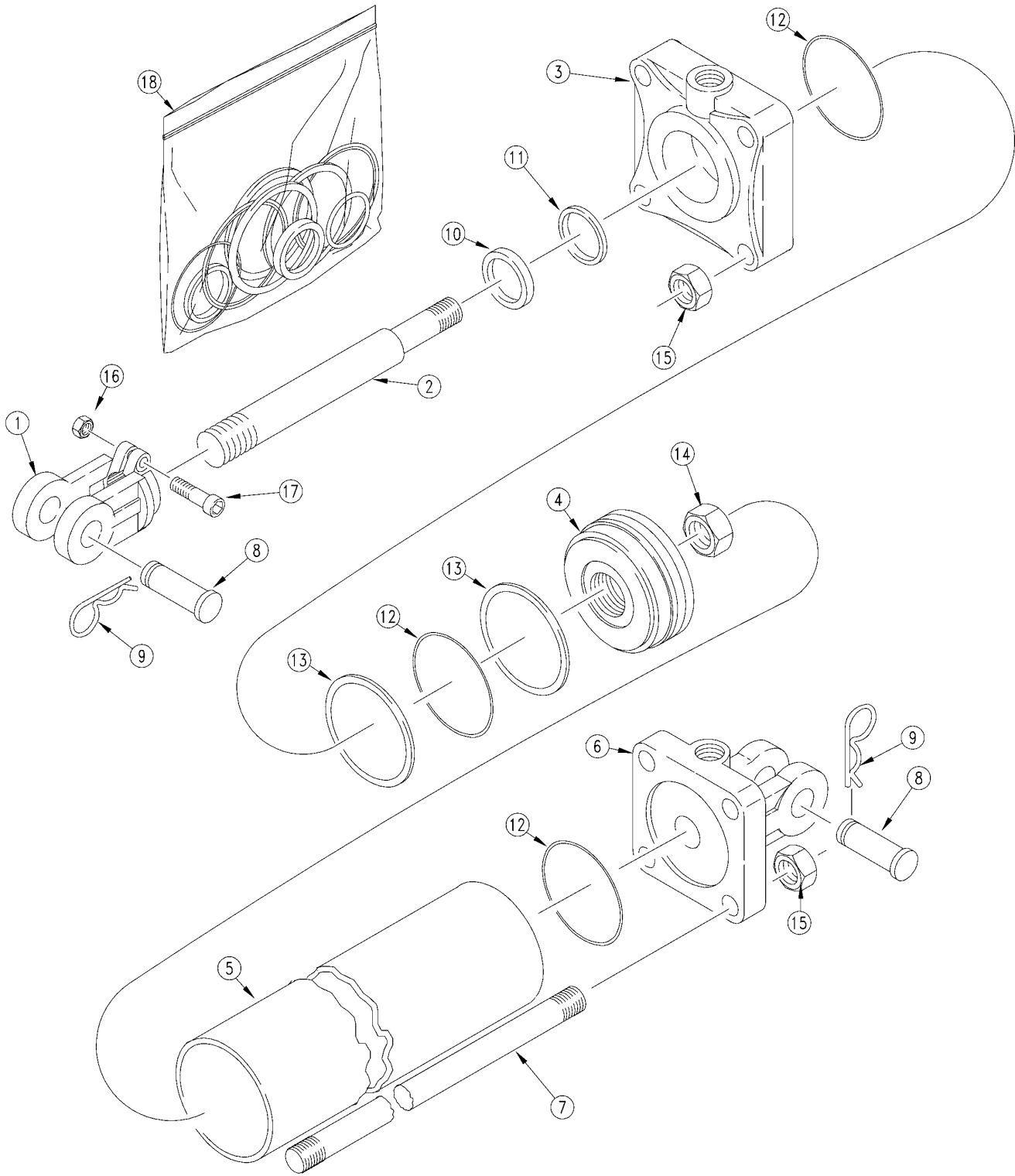
(Applies to 3S-3000 HD, 3S-3000 HDF only)

Ref	Part No.	Part Description	Comments	Revision
	dwg15704	Image No.		
1.	1D0009-1050	TUBE CROSS		
2.	1D0205-1462	ROD CROSS		
3.	3C4549	CROSS ROD CLEVIS		
4.	2A0235-6	CROSS NUT, CLEVIS & TIE ROD		
5.	2A0079-616	CROSS SCREW, CAP		
6.	2A0581-1325	TIE ROD CROSS		
7.	2A0236-9	TIE ROD NUT CROSS		
8.	1D1159-8	HEAD CROSS		
9.		BACKUP PISTON	Only found in seal kit 18	
10.		U-CUP	Only found in seal kit 18	
11.		ROD WIPER	Only found in seal kit 18	
12.		O-RING PISTON	Only found in seal kit 18	
13.	1D1401-350	PISTON CROSS		
14.	1D1224-8	CROSS BASE		
15.	1A1141	PISTON NUT CROSS		
16.	1D1582-16300	CROSS CLEVIS PIN		
17.	2A0308-1	RPBY 805-032C		
18.	810-146C	SEAL KIT CROSS 3.5 CYL 1C4429		

[Table of Contents](#) [Part Number Index](#)

Toolbar Fold Midway Hydraulic Cylinder 3.5 x 20 x 1.5 (810-298C)

(Applies to 3S-3000 HD, 3S-3000 HDF only)



15702

Toolbar Fold Midway Hydraulic Cylinder 3.5 x 20 x 1.5 (810-298C)

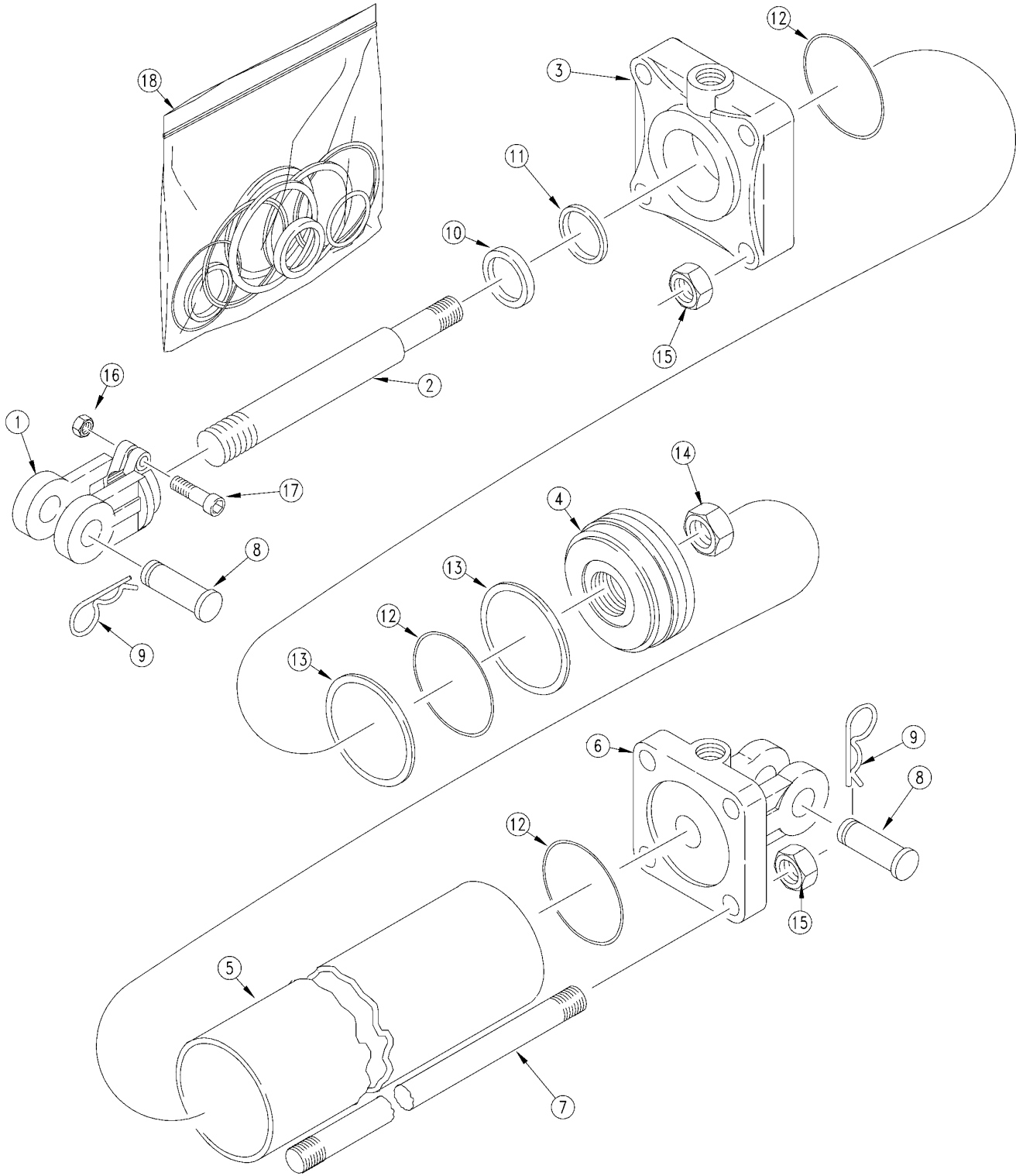
(Applies to 3S-3000 HD, 3S-3000 HDF only)

Ref	Part No.	Part Description	Comments	Revision
	dwg15702	Image No.		
1.	1M7016	CLEVIS ROD MIDWAY		
2.	2M5530	MW ROD		
3.	3R3812	MW HEAD		
4.	4M5102	RPBY 4M5108		
5.	5M5128	MW TUBE		
6.	6R3162	MW BASE 3 1/2 CYLINDER		
7.	7M5328	TIE ROD		
8.	2A0208	RPBY 805-124C		
9.	2A0132	MW PIN CLIP		
10.		MW WIPER	Only found in seal kit 18	
11.		MW U-CLIP	Only found in seal kit 18	
12.		MW O-RING	Only found in seal kit 18	
13.		MW BACKUP	Only found in seal kit 18	
14.	2A0024	MW PISTON NUT 1-14		
15.	2A0016	MW TIE ROD NUT		
16.	2A0012	RPBY 803-234C		
17.	2A0006	RPBY 802-023C		
18.	810-059C	CYL SEAL KIT 5A5104		

[Table of Contents](#) [Part Number Index](#)

Transport Axle Midway Hydraulic Cylinder 3.5 x 12 x 1.25 (810-316C)

(Applies to 3S-3000 HD, 3S-3000 HDF only)



15702

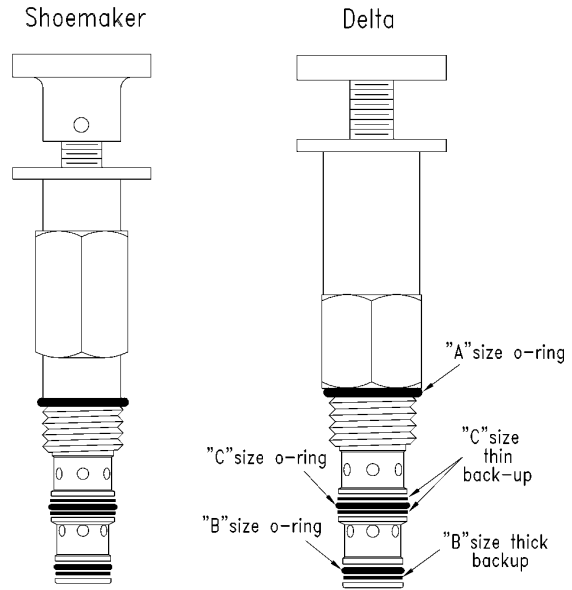
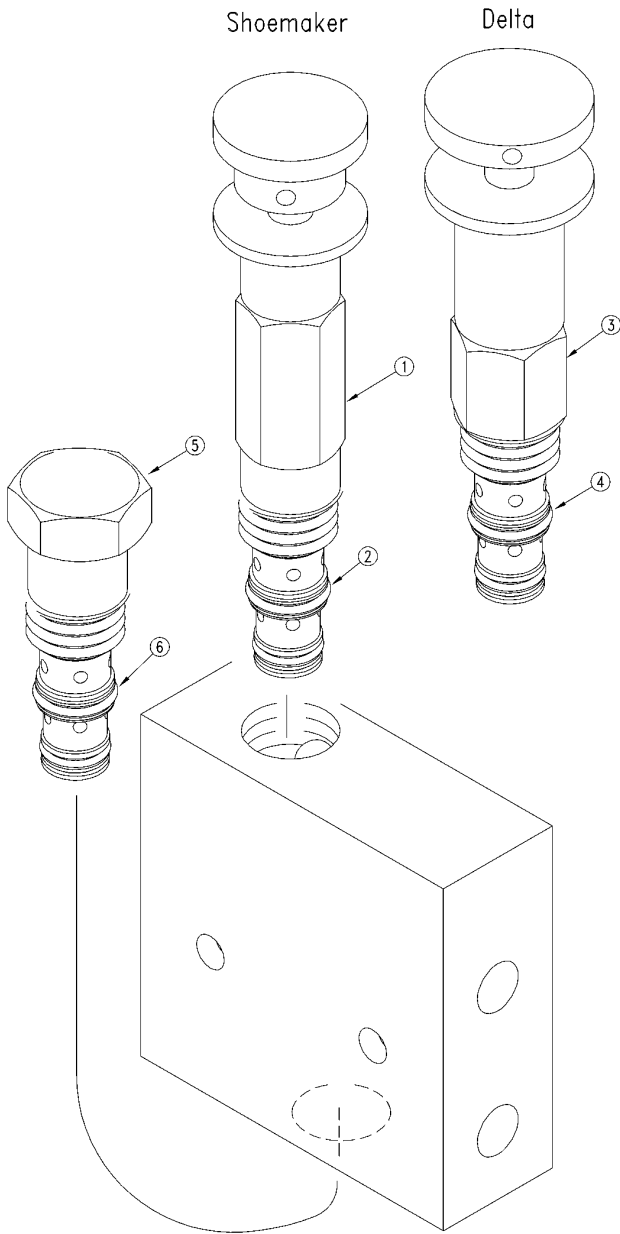
Transport Axle Midway Hydraulic Cylinder 3.5 x 12 x 1.25 (810-316C)

(Applies to 3S-3000 HD, 3S-3000 HDF only)





Ref	Part No.	Part Description	Comments	Revision
	dwg15702	Image No.		
1.	1M7016	CLEVIS ROD MIDWAY		
2.	2M5420	MW ROD		
3.	3R3410	MW HEAD		
4.	4M5102	RPBY 4M5108		
5.	5M5120	MW TUBE 3 1/2 X 12		
6.	6R3150	BASE MIDWAY		
7.	7M5320	TIE ROD MIDWAY		
8.	2A0208	RPBY 805-124C		
9.	2A0132	MW PIN CLIP		
10.		MW WIPER	Only found in seal kit 18	
11.		MW U-CUP	Only found in seal kit 18	
12.		MW O-RING	Only found in seal kit 18	
13.		MW BACK UP	Only found in seal kit 18	
14.	2A0024	MW PISTON NUT 1-14		
15.	2A0016	MW TIE ROD NUT		
16.	2A0012	RPBY 803-234C		
17.	2A0006	RPBY 802-023C		
18.	810-149C	SEAL KIT MW (5A5102) 3.5X1.25R		

Pressure Reducing Valve (810-301C)

(Applies to 3S-3000 HD, 3S-3000 HDF only)



Seal Kit
For 7/8"-14 Series Valves

	$\frac{A}{OD .949 / ID .754}$
	$\frac{B}{OD .629 / ID .489}$
	$\frac{C}{OD .691 / ID .551}$
	$\frac{D}{OD .754 / ID .614}$

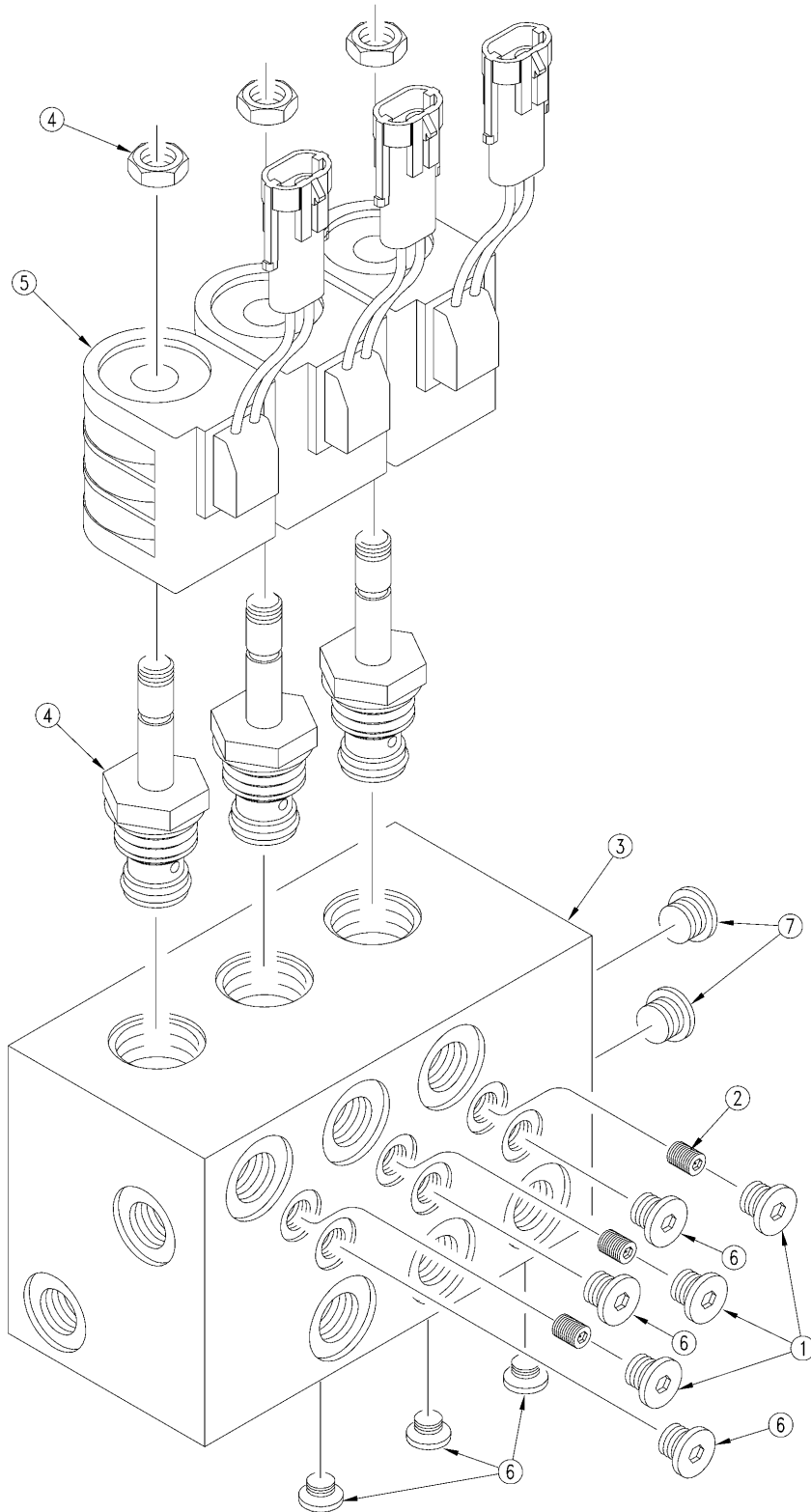
Pressure Reducing Valve (810-301C)

(Applies to 3S-3000 HD, 3S-3000 HDF only)

Ref	Part No.	Part Description	Comments	Revision
	dwg16292	Image No.		
1.	PRPIL-10-K-25	CARTRIDGE PRESS RED SHOEMAKER		
2.	5075	RPBY 810-452C		
3.	85020040	DELTA CARTRIDGE ONLY WITH KNOB		
4.	810-303C	SEAL KIT 7/8-14 DELTA 21170040	See chart for sizes	
5.	CP2-10	REPLACED BY CP2-10-0		
6.	5070	RPBY 5075		
6.	810-303C	SEAL KIT 7/8-14 DELTA 21170040	Includes: 2 Each of the thin Back-Up Rings, sizes B, C, and D; 1 Each of the thick Back-Up Rings, sizes C and D; 2 Each of the thick Back-Up Rings size B; 1 Each of O-Rings sizes A, B, C, and D.	

Manifold Block (810-371C) (Option)

(Applies to 3S-3000 HD, 3S-3000 HDF only)



17027

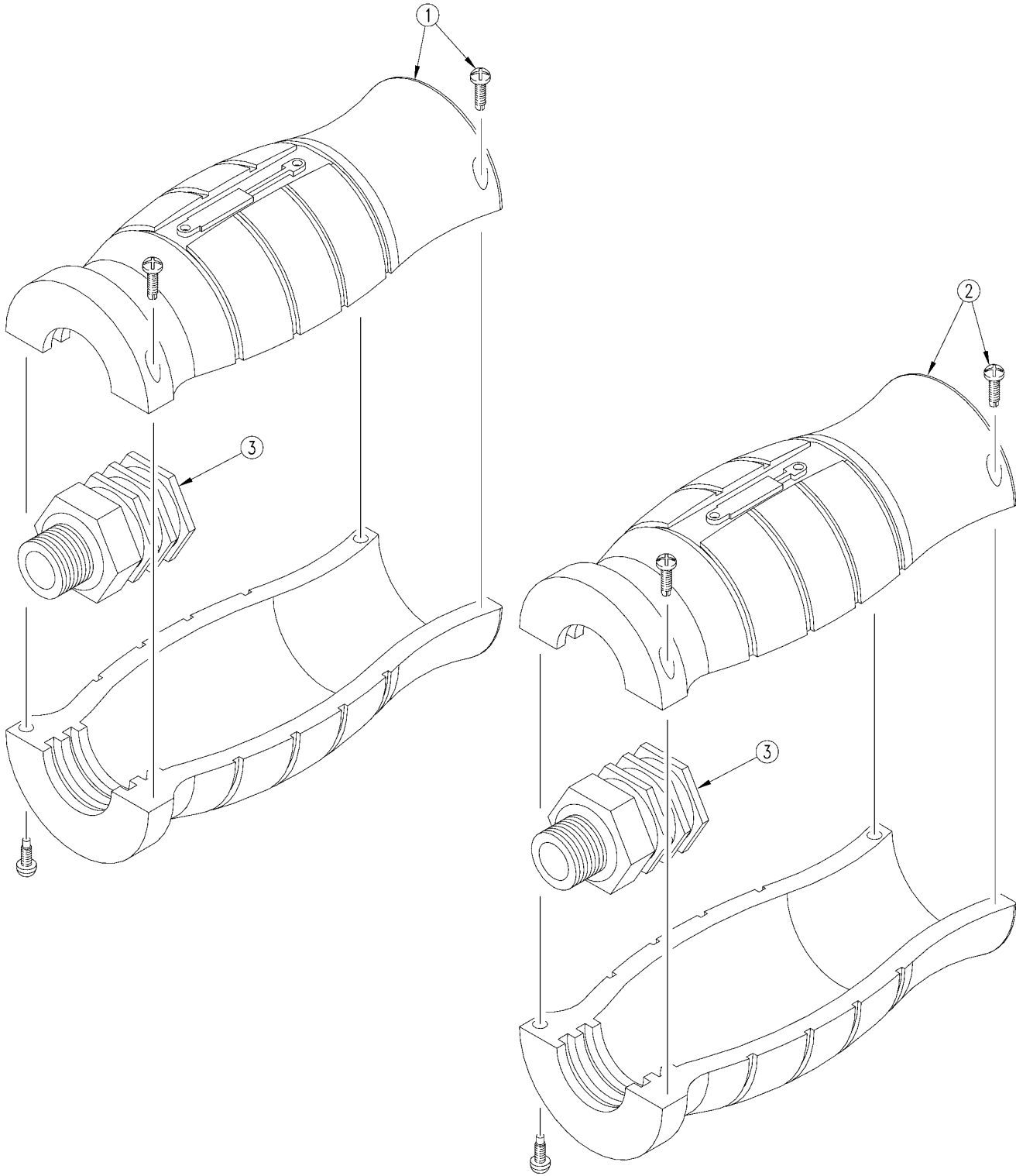
Manifold Block (810-371C) (Option)

(Applies to 3S-3000 HD, 3S-3000 HDF only)

Ref	Part No.	Part Description	Comments	Revision
	dwg17027	Image No.		
1.	61010016	#4 SAE PLUG		
2.	61010039	.078 ORIFICE PLUG		
3.	30102754	MANIFOLD		
4.	85002333	DELTA 4W2P VALVE DGS4D-00		
5.	39680008	DELTA COIL 12VDC W CONN		
6.	61011003	#4 SAE PLUG ZL		
7.	811-203C	PL 3/4MORB HOLLOW HEX		
	500-090B	SEAL KIT 7/8-14 DELTA W/ LTITE		

Hydraulic Hose Grips

(Applies to 3S-3000 HD, 3S-3000 HDF only)



31842

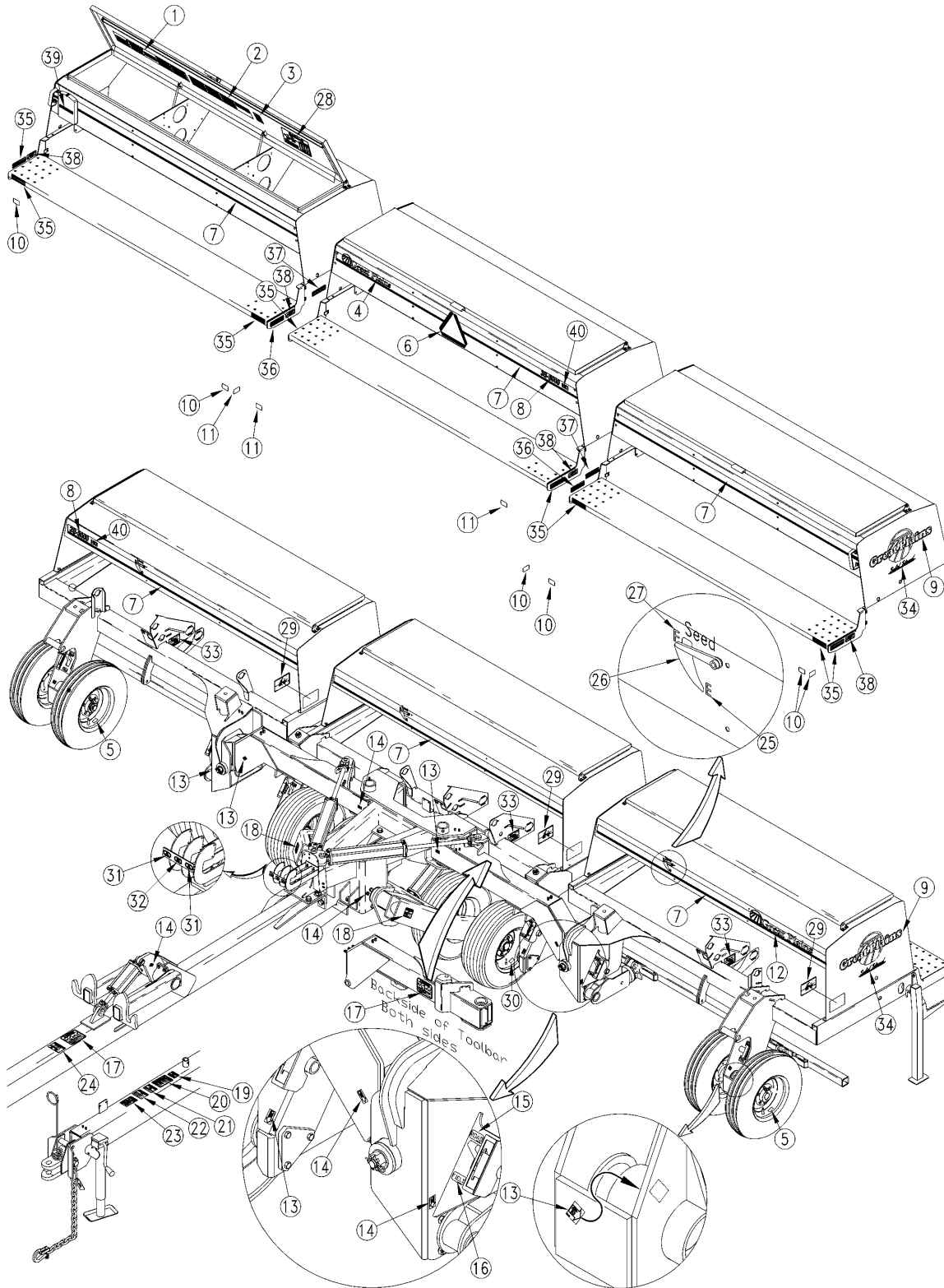
Hydraulic Hose Grips

(Applies to 3S-3000 HD, 3S-3000 HDF only)

Ref	Part No.	Part Description	Comments	Revision
	dwg31842	Image No.		
1.	811-826C	HG HANDLE - BLACK EXT	Used on return to tractor hose & Used on air drill fan hose.	
1.	811-914C	HG HANDLE - RED EXT	Used on field lift cylinders.	
1.	811-915C	HG HANDLE - GREEN EXT	Used on marker cylinders.	
1.	811-917C	HG HANDLE - YELLOW EXT	Used on Hydraulic Drive.	
1.	841-540C	HG HANDLE - GRAY EXT	Used on fold cylinders.	
1.	841-542C	HG HANDLE - BLUE EXT	Used on transport lift cylinders.	
2.	811-913C	HG HANDLE - BLACK RET	Used on return to tractor hose & Used on air drill fan hose.	
2.	811-827C	HG HANDLE - RED RET	Used on field lift cylinders.	
2.	811-916C	HG HANDLE - GREEN RET	Used on marker cylinders.	
2.	811-918C	HG HANDLE - YELLOW RET	Used on Hydraulic Drive.	
2.	841-541C	HG HANDLE - GRAY RET	Used on fold cylinders.	
2.	841-543C	HG HANDLE - BLUE RET	Used on transport lift cylinders.	
3.	811-919C	AD 3/4MORB 3/4FORB (HG)		

Decal Placement

(Applies to 3S-3000 HD, 3S-3000 HDF only)



26464

Decal Placement

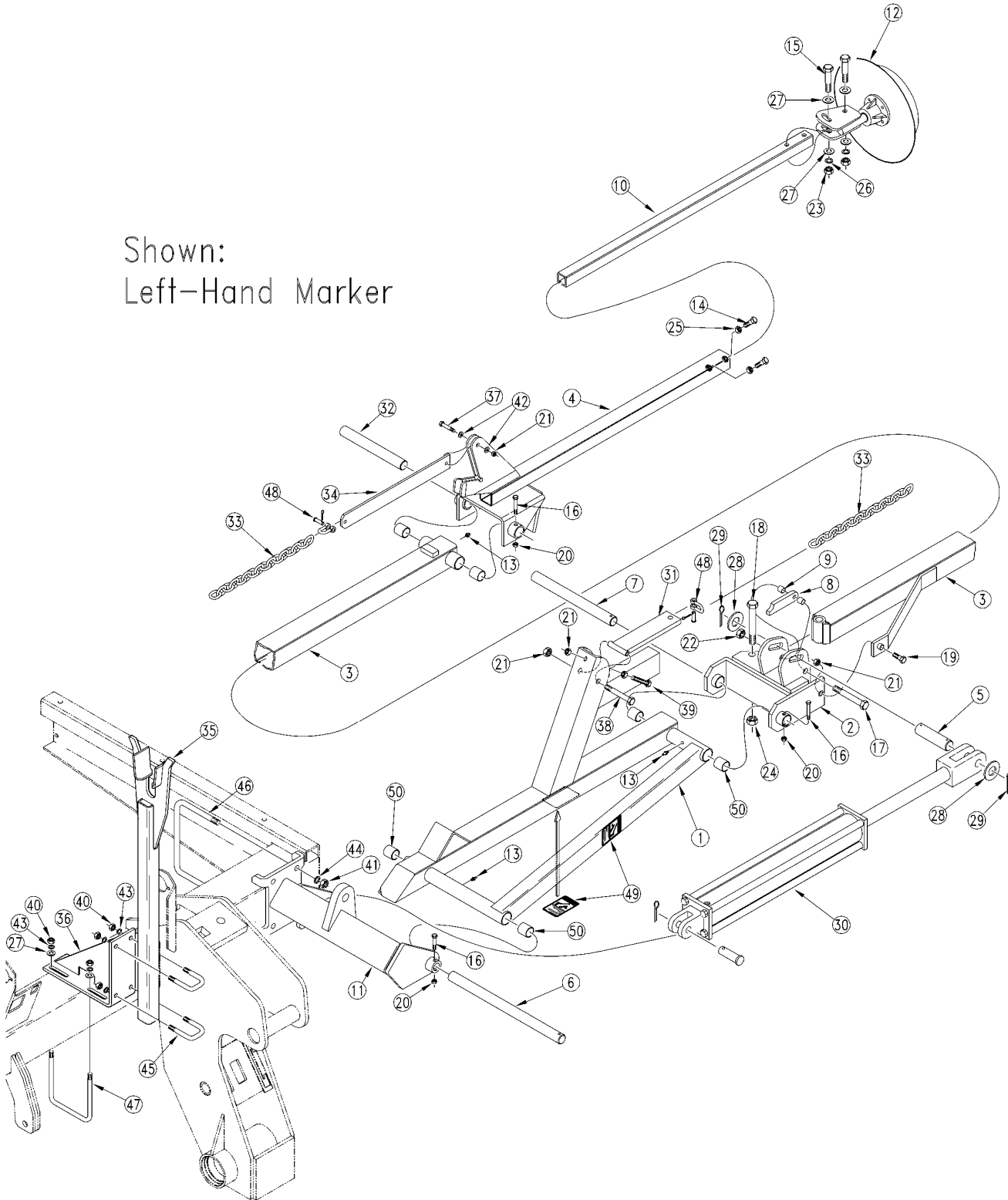
(Applies to 3S-3000 HD, 3S-3000 HDF only)

Ref	Part No.	Part Description	Comments	Revision
	dwg26464	Image No.		
1.	818-369C	DECAL 3PT,2&3SEC SEEDRATE 1OF2	2003 and below	
2.	818-370C	DECAL 3PT,2&3SEC SEEDRATE 2OF2	2003 and below	
3.	818-024C	DECAL INSPECTION		
4.	818-415C	DECAL GP W/ LOGO AND STRIPE	(NOT SHOWN) 1999 and below	
5.	818-751C	DECAL CAUTION TIRE 32 PSI	Used with Rib Implement Tires	
5.	838-092C	DECAL CAUTION TIRE 60PSI/85FT	Used with Skid Steer Tires	
6.	818-003C	DECAL SLOW MOVING VEHICLE		
7.	838-160C	DECAL 3 COLOR STRIPE 2.50 WIDE	2000 and above	Rev. 2 is not interchangeable w/ rev. 1
7.	818-414C	DECAL W/ 4 COLOR STRIPE	1999 and below	1st rev.
8.	838-204C	DECAL 3S-3000	2000 and above	Rev. 2 is not interchangeable w/ rev. 1
8.	818-650C	DECAL SOLID STAND 3000-3S	1999 and below	1st rev.
9.	838-229C	DECAL GREAT PLAINS ON LOGO LRG	2000 and above	Rev. 2 is not interchangeable w/ rev. 1
9.	818-598C	DECAL GP LOGO - LARGE	1999 and below	1st rev.
10.	818-229C	DECAL AMBER REFLECTOR		
11.	818-230C	DECAL RED REFLECTOR		
12.	838-161C	DECAL LOGO&GP F/STRIPE 4 X 24	2000 and above	Rev. 2 is not interchangeable w/ rev. 1
12.	818-412C	DECAL GREAT PLAINS W/ LOGO	1999 and below	1st rev.
13.	818-349C	DECAL GREASE 10 HRS LH		
14.	818-402C	DECAL GREASE 10 HRS RH		
15.	818-257C	DECAL TRANSPORT LOCK ROAD		
16.	818-258C	DECAL TRANSPORT LOCK FIELD		
17.	818-660C	DECAL TRANSPORT LOCK WARNING		
18.	818-398C	DECAL CAUTION TIRES NOT A STEP		
19.	818-337C	DECAL WARNING 20 MPH TRANS SML		
20.	818-078C	DECAL CAUTION FP-HC-MF-24&30		
21.	818-557C	DECAL DANGER CANNOT READ ENG		
22.	818-019C	DECAL WARNING NEG TONGUE WT		
23.	818-339C	DECAL WARNING HIGH PRESSUR SML		
24.	818-045C	DECAL WARNING PINCH PT/CRUSH		
25.	818-295C	DECAL LETTER E	No longer availabel. Order part no. 838-237C	
26.	838-237C	DECAL SEED LEVEL LH		Rev. 2 is not interchangeable w/ rev. 1
26.	818-392C	DECAL SEED LEVEL, NOTCHED		1st rev.
27.	818-296C	DECAL LETTER F	No longer available. Order part no. 838-237C	
28.	818-715C	DECAL FERTILIZER RATE		
29.	818-716C	DECAL FERTILIZER CHAIN ROUTE		
30.	818-752C	DECAL CAUTION TIRE 52 PSI	Used with Rib Implement Tires	
31.	818-710C	DECAL WING SECTIONS		
31.	818-662C	DECAL RIGHT SECTION	Used on point row	
31.	818-663C	DECAL LEFT SECTION	Used on point row	
32.	818-664C	DECAL CENTER SECTION		
33.	818-708C	DECAL DRIVE TYPE&CHAIN ROUTING		
34.	838-169C	DECAL SCRIPT SOLID STAND LARGE	2000 and above	
35.	838-265C	DECAL REFLECTOR AMBER 1 1/2X9	2001 and above	
36.	838-266C	DECAL REFLECTOR RED 1 1/2X9	2001 and above	
37.	838-267C	DECAL REFLECTR DAYTIME 1 1/2X9	2001 and above	
38.	838-102C	DECAL DANGER FALLING HAZZARD		
39.	838-482C	DECAL GP PLANTING COMPONENTS	2004 and above	
40.	838-828C	DECAL HD		

Flat Fold Marker

(Applies to 3S-3000 HD, 3S-3000 HDF only)

Shown:
Left-Hand Marker



15482

Flat Fold Marker

(Applies to 3S-3000 HD, 3S-3000 HDF only)

Ref	Part No.	Part Description	Comments	Revision
	dwg15482	Image No.		
1.	113-180H	LH FIRST SECTION	Shown	
1.	113-188H	RH FIRST SECTION		
2.	113-181H	LIFT LUG CHANNEL LH	Shown	
2.	113-189H	LIFT LUG CHANNEL RH		
3.	113-182H	2ND SECTION	Shown	
3.	113-190H	RPBY 113-182H		
4.	113-183H	30' F.F. MKR. 3RD. SECTION		
5.	113-248D	PIN 1 OD X 4.41 USABLE		
6.	113-312D	FIRST PIVOT SHAFT		
7.	113-313D	SECOND PIVOT SHAFT		
8.	113-324D	CYLINDER STOP		
9.	113-325D	STOP BUSHING		
10.	113-351D	MARKER TUBE 42 LG		
11.	113-558H	MARKER, L.H. MOUNT 96	Shown	
11.	113-559H	MARKER, R.H. MOUNT 96		
12.	113-563S	MARKER DISC & HUB ASSEMBLY	Refer to "Marker Disk Assembly (113-563S)" for breakdown.	
13.	800-001C	GREASE ZERK STRAIGHT 1/4-28		
14.	801-054C	SCREW SET SQ HD 1/2-13X1 GR5		
15.	802-039C	HHCS 1/2-13X3 GR5		
16.	802-115C	HHCS 5/16-18X2 GR5		
17.	802-249C	HHCS 1/2-13X4 1/2 GR5 SPTH		
18.	802-254C	HHCS 5/8-11X5 1/2 GR5		
19.	802-266C	HHCS 3/8-16X2 GR2		
20.	803-011C	NUT LOCK 5/16-18 PLT		
21.	803-013C	NUT LOCK 3/8-16 PLT		
22.	803-019C	NUT LOCK 1/2-13 PLT		
23.	803-020C	NUT HEX 1/2-13 PLT		
24.	803-024C	NUT LOCK 5/8-11 PLT		
25.	803-036C	NUT HEX JAM 1/2-13 PLT		
26.	804-015C	WASHER LOCK SPRING 1/2 PLT		
27.	804-017C	WASHER FLAT 1/2 USS PLT		
28.	804-029C	WASHER FLAT 1 SAE		
29.	805-058C	PIN COTTER 3/16 X 2		
30.	810-118C	CYL 2.5X20X1.12 ROD (TIE)1 PIN	Refer to "Midway Hydraulic Cylinder 2.5 x 20 x 1.12 (810-118C)", "Cross Hydraulic Cylinder 2.5 x 20 x 1.12 (810-118C)" & "Monarch Hydraulic Cylinder 2.5 x 20 x 1.12 (810-118C)" for breakdown.	
31.	113-200H	CHAIN BAR WELDMENT		
32.	113-311D	HINGE PIN		
33.	113-319D	CHAIN COIL 1/4 HIGH TEST 61 IN		
34.	113-323D	CHAIN BAR		
35.	113-560H	MARKER CARRIER		
36.	113-568H	MARKER TRANSPORT MOUNT		
37.	802-022C	HHCS 3/8-16X1 1/2 GR5		
38.	802-168C	HHCS 3/8-16X3 1/4 GR5		
39.	802-261C	HHCS 3/8-16X2 1/2 GR5 FTHD		
40.	803-020C	NUT HEX 1/2-13 PLT		
41.	803-021C	NUT HEX 5/8-11 PLT		
42.	804-011C	WASHER FLAT 3/8 USS PLT		
43.	804-015C	WASHER LOCK SPRING 1/2 PLT		
44.	804-022C	WASHER LOCK SPRING 5/8 PLT		
45.	806-005C	U-BOLT 1/2-13 X 2 X 3 GR 5		
46.	806-039C	U-BOLT 5/8-11 X 6 1/32 X 7 3/4		
47.	806-060C	U-BOLT 1/2-13 X 6 1/32 X 7 1/4		

Flat Fold Marker (continued)

(Applies to 3S-3000 HD, 3S-3000 HDF only)

Ref	Part No.	Part Description	Comments	Revision
48.	890-018C	5/16 X 1 1/4 UTILITY CLEVIS		
49.	818-682C	DECAL WARNING PINCH/CRUSH MRKR		
50.	890-005C	BUSHING CYL 1 1/4 X 1 X 1		

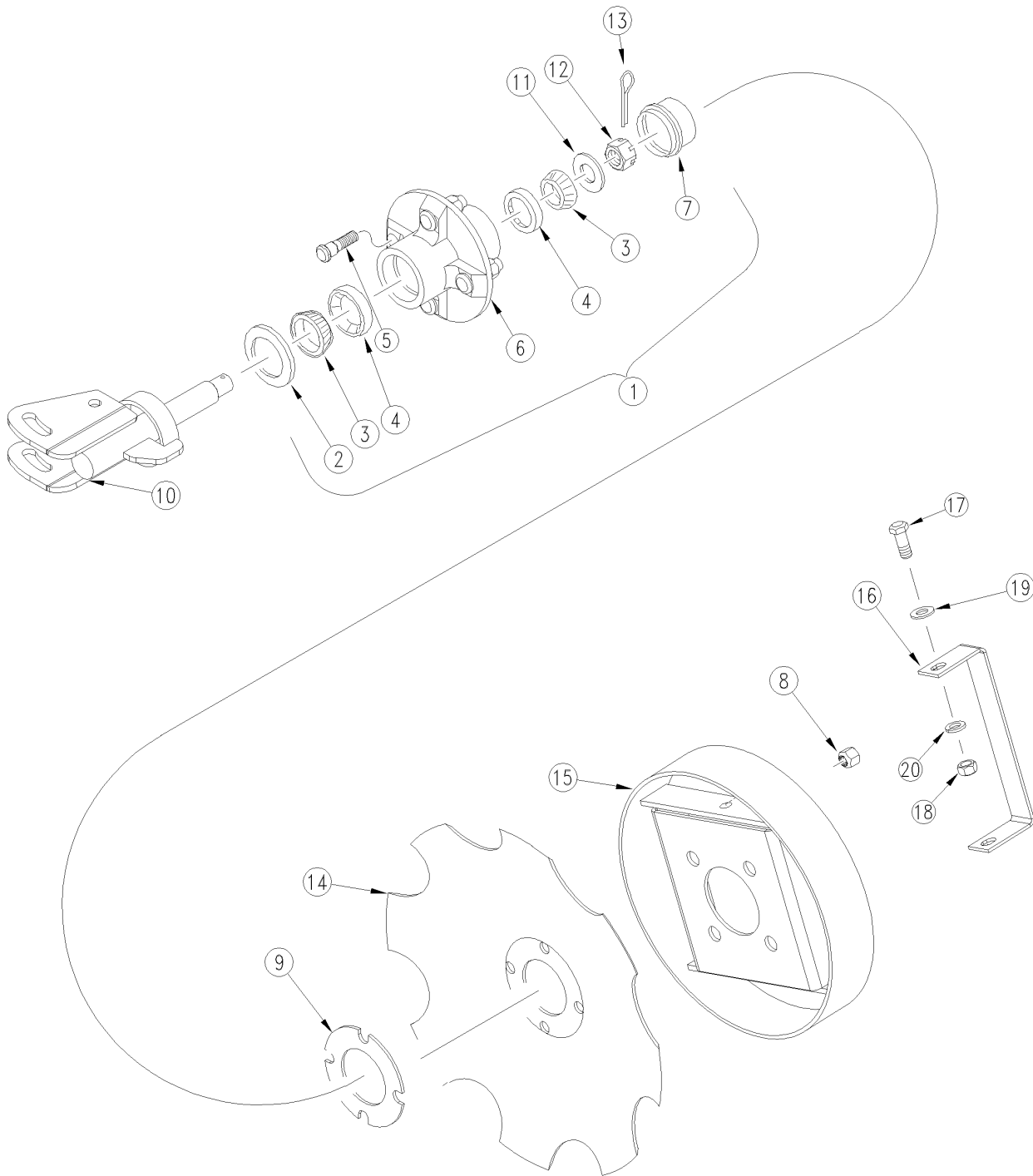
Flat Fold Marker (continued)

(Applies to 3S-3000 HD, 3S-3000 HDF only)

This Page Intentionally Left Blank

Marker Disc Assembly (113-563S)

(Applies to 3S-3000 HD, 3S-3000 HDF only)



15481

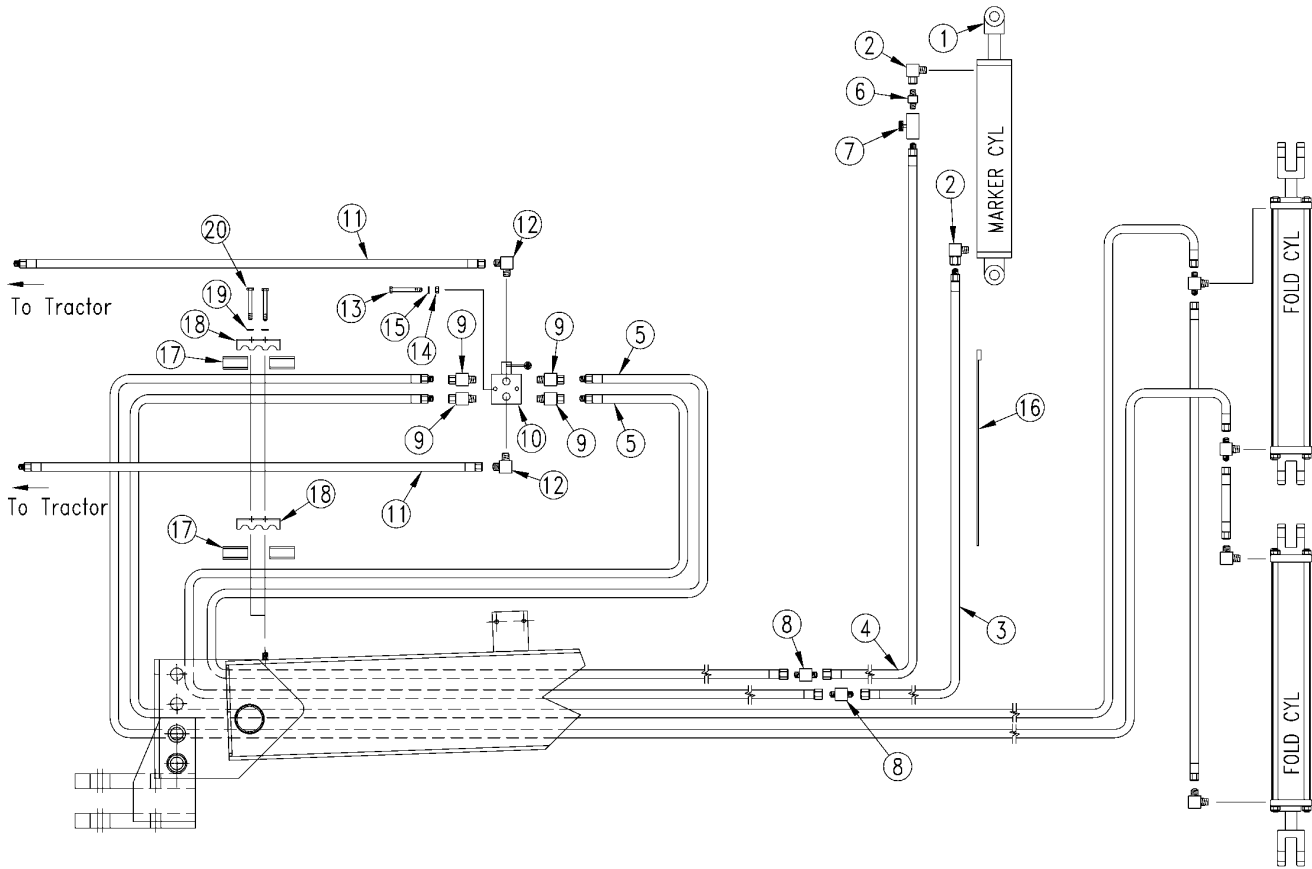
Marker Disc Assembly (113-563S)

(Applies to 3S-3000 HD, 3S-3000 HDF only)

Ref	Part No.	Part Description	Comments	Revision
	dwg 15481	Image No.		
1.	815-001C	TINE GW HUB	Includes 2 - 8.	
2.	816-014C	TINE GAUGE WHEEL HUB SEAL		
3.	822-030C	BEARING CONE 1		
4.	822-080C	BEARING CUP L44610		
5.	BO-47	NEILSON STUD 1/2-20UNFX1 13/16		
6.	1-100-02-00	RELIABLE HUB 4 BOLT		
7.	890-614C	GREASE CAP #1505		
8.	803-159C	NUT LUG 1/2-20X60DEG PLT(.75AF		
9.	116-353D	BLADE SPACER		
10.	113-562H	1 SPINDLE MARKER WELDMENT		
11.	804-025C	WASHER FLAT 3/4 SAE PLT		
12.	803-053C	NUT HEX SLOTTED 3/4-16		
13.	805-019C	PIN COTTER 5/32 X 1 PLT		
14.	820-094C	16 4-BOLT NOTCHED MARKER DISK		
15.	113-369H	DEPTH BAND 10 4-BOLT 4B.C.		
16.	116-354D	MARKER DISC SAFETY STRAP		
17.	802-017C	HHCS 3/8-16X1 GR5		
18.	803-014C	NUT HEX 3/8-16 PLT		
19.	804-012C	WASHER FLAT 3/8 SAE PLT		
20.	804-013C	WASHER LOCK SPRING 3/8 PLT		

Single Marker Hydraulics

(Applies to 3S-3000 HD, 3S-3000 HDF only)



15483

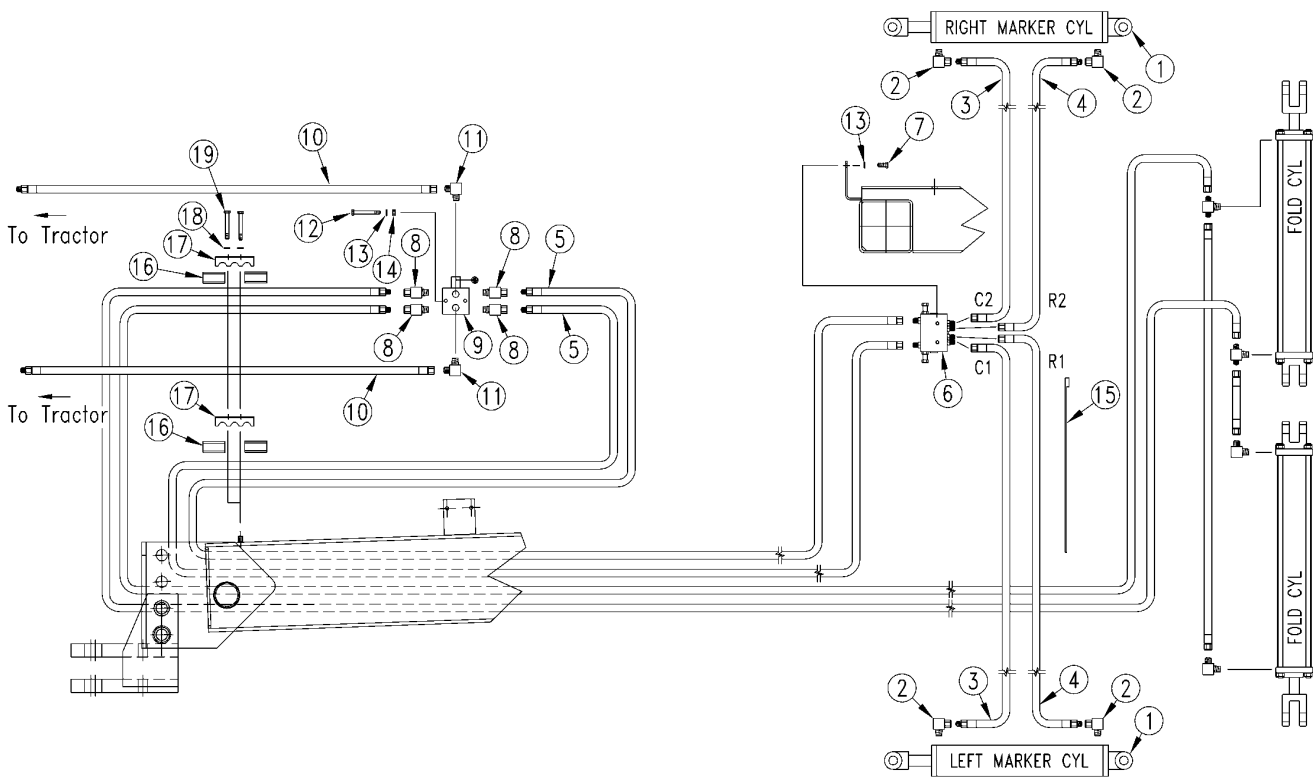
Single Marker Hydraulics

(Applies to 3S-3000 HD, 3S-3000 HDF only)

Ref	Part No.	Part Description	Comments	Revision
	dwg15483	Image No.		
1.	810-118C	CYL 2.5X20X1.12 ROD (TIE)1 PIN	Refer to "Midway Hydraulic Cylinder 2.5 x 20 x 1.12 (810-118C)", "Cross Hydraulic Cylinder 2.5 x 20 x 1.12 (810-118C)" & "Monarch Hydraulic Cylinder 2.5 x 20 x 1.12 (810-118C)" for breakdown.	
2.	811-281C	EL 3/8FNPT 9/16MORB		
3.	811-035C	HH1/4R1 252 9/16FJIC 3/8MNPT		
4.	811-293C	HH1/4R1 272 3/8MNPT 9/16FJIC		
5.	811-580C	HH1/4R1 348 1/2MNPT 9/16FJIC		
6.	811-044C	AD 3/8MNPT		
7.	810-058C	VALVE 3/8 NEEDLE		
8.	811-315C	AD 9/16MJIC		
9.	811-021C	AD 1/2FNPTS 3/4MORB		
10.	810-274C	DOUBLE SELECTOR VALVE 3/4FORB	Refer to "Double Selector Valve (810-274C)" for breakdown.	
11.	811-579C	HH3/8R1 096 1/2MNPT 9/16FJIC		
12.	811-171C	EL 3/4MORB 9/16MJIC		
13.	802-168C	HHCS 3/8-16X3 1/4 GR5		
14.	803-014C	NUT HEX 3/8-16 PLT		
15.	804-013C	WASHER LOCK SPRING 3/8 PLT		
16.	800-082C	CABLE TIE .31X21.5 6DIA 120LB		
17.	113-370D	1/4 MARKER HYD HOSE GUARD		
18.	196-112D	RPBY 196-146D		
19.	804-009C	WASHER LOCK SPRING 5/16 PLT		
20.	802-138C	HHCS 5/16-18X2 1/4 GR5		

Dual Markers Hydraulics

(Applies to 3S-3000 HD, 3S-3000 HDF only)



15484

Dual Markers Hydraulics

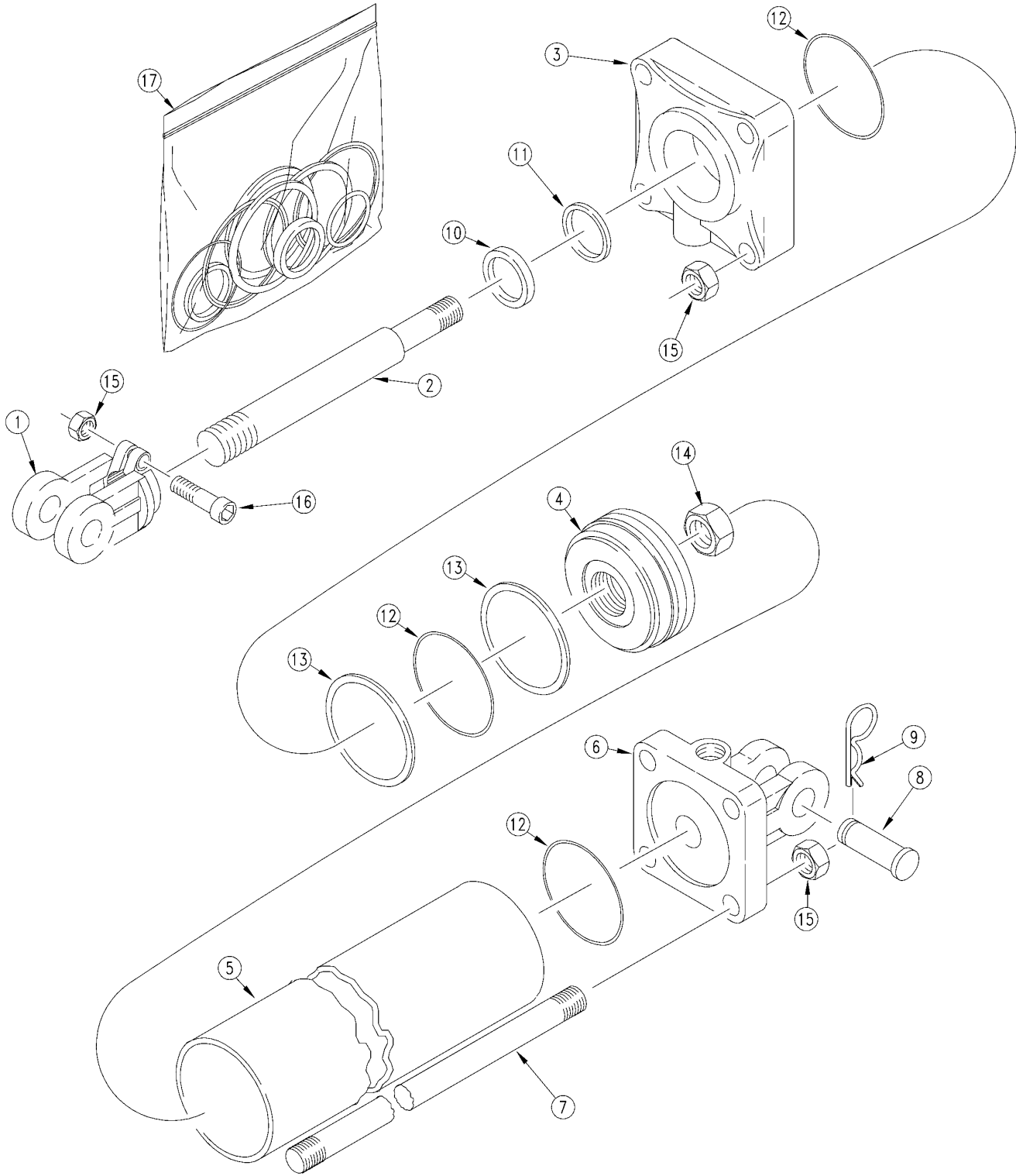
(Applies to 3S-3000 HD, 3S-3000 HDF only)

Ref	Part No.	Part Description	Comments	Revision
	dwg15484	Image No.		
1.	810-118C	CYL 2.5X20X1.12 ROD (TIE)1 PIN	Refer to "Midway Hydraulic Cylinder 2.5 x 20 x 1.12 (810-118C)", "Cross Hydraulic Cylinder 2.5 x 20 x 1.12 (810-118C)" & "Monarch Hydraulic Cylinder 2.5 x 20 x 1.12 (810-118C)" for breakdown.	
2.	811-281C	EL 3/8FNPT 9/16MORB		
3.	811-035C	HH1/4R1 252 9/16FJIC 3/8MNPT		
4.	811-293C	HH1/4R1 272 3/8MNPT 9/16FJIC		
5.	811-580C	HH1/4R1 348 1/2MNPT 9/16FJIC		
6.	810-197C	VALVE,SEQUENCE SHOEMAKER	Refer to "Sequence Valve (810-197C)" for breakdown.	
7.	802-014C	HHCS 3/8-16X3/4 GR5		
8.	811-021C	AD 1/2FNPTS 3/4MORB		
9.	810-274C	DOUBLE SELECTOR VALVE 3/4FORB	Refer to "Double Selector Valve (810-274C)" for breakdown.	
10.	811-579C	HH3/8R1 096 1/2MNPT 9/16FJIC		
11.	811-171C	EL 3/4MORB 9/16MJIC		
12.	802-168C	HHCS 3/8-16X3 1/4 GR5		
13.	804-013C	WASHER LOCK SPRING 3/8 PLT		
14.	803-014C	NUT HEX 3/8-16 PLT		
15.	800-082C	CABLE TIE .31X21.5 6DIA 120LB		
16.	113-370D	1/4 MARKER HYD HOSE GUARD		
17.	196-112D	RPBY 196-146D		
18.	804-009C	WASHER LOCK SPRING 5/16 PLT		
19.	802-138C	HHCS 5/16-18X2 1/4 GR5		

[Table of Contents](#) [Part Number Index](#)

Midway Hydraulic Cylinder 2.5 x 20 x 1.12 (810-118C)

(Applies to 3S-3000 HD, 3S-3000 HDF only)



15705

Midway Hydraulic Cylinder 2.5 x 20 x 1.12 (810-118C)

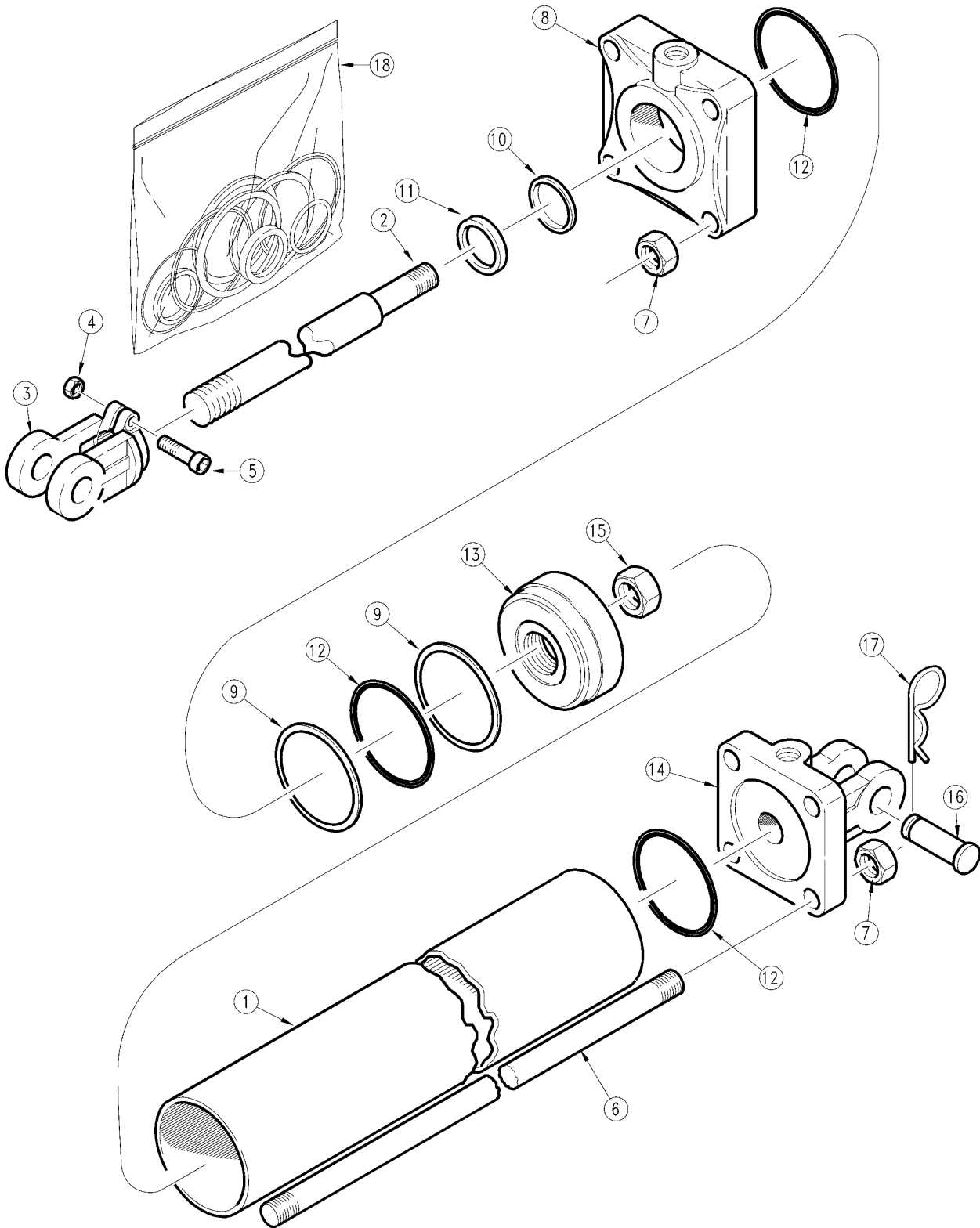
(Applies to 3S-3000 HD, 3S-3000 HDF only)

Ref	Part No.	Part Description	Comments	Revision
	dwg15705	Image No.		
1.	1M6006	MW ROD CLEVIS		
2.	2M3326	MW ROD		
3.	3R0310	MW HEAD		
4.	4M3102	RPBY 4M3108		
5.	5M3128	MW TUBE 2-1/2 X 20 CYLINDER		
6.	6R0158	BASE MIDWAY		
7.	7M3328	MIDWAY TIE ROD		
8.	2A0206	MW PIN SHORT		
9.	2A0132	MW PIN CLIP		
10.		MW WIPER	Only found in seal kit 17	
11.		MW U-CUP	Only found in seal kit 17	
12.		MW O-RING	Only found in seal kit 17	
13.		MW BACKUP	Only found in seal kit 17	
14.	2A0022	RPBY 803-114C		
15.	2A0012	RPBY 803-234C		
16.	2A0006	RPBY 802-023C		
17.	810-210C	SEAL KIT MW 2.5 CYL 3A3102		

[Table of Contents](#) [Part Number Index](#)

Cross Hydraulic Cylinder 2.5 x 20 x 1.12 (810-118C)

(Applies to 3S-3000 HD, 3S-3000 HDF only)



15704

Cross Hydraulic Cylinder 2.5 x 20 x 1.12 (810-118C)

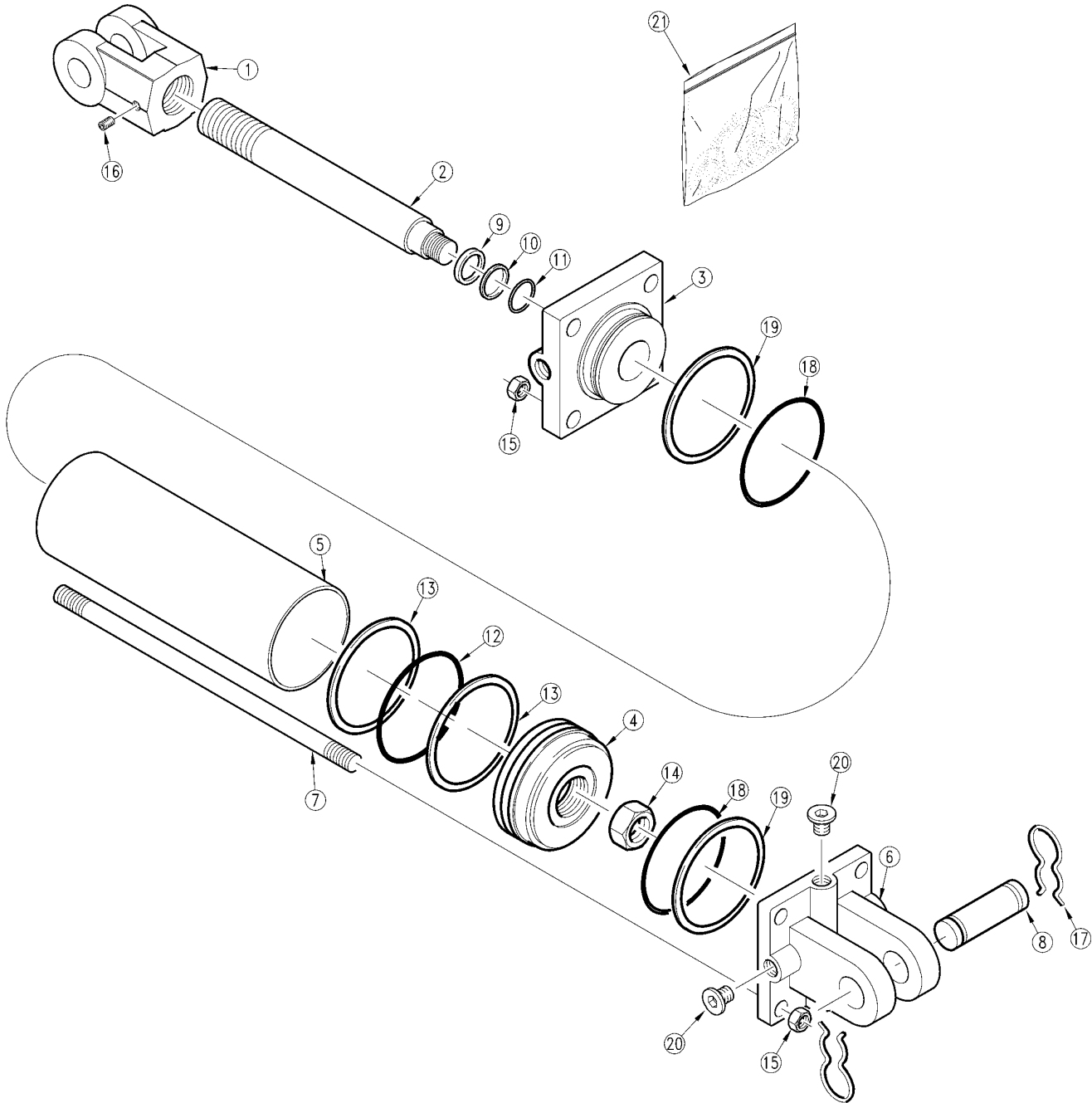
(Applies to 3S-3000 HD, 3S-3000 HDF only)

Ref	Part No.	Part Description	Comments	Revision
	dwg15704	Image No.		
1.	1D0005-2250	CROSS TUBE		
2.	1D0204-2475	CROSS ROD		
3.	1D1003-4	CROSS ROD CLEVIS		
4.	2A0235-6	CROSS NUT, CLEVIS & TIE ROD		
5.	2A0079-616	CROSS SCREW, CAP		
6.	2A0578-2475	CROSS TIE ROD		
7.	2A0235-6	CROSS NUT, CLEVIS & TIE ROD		
8.	1D1155-13	CROSS HEAD		
9.		BACKUP PISTON	Only found in seal kit item 18	
10.		U-CUP	Only found in seal kit item 18	
11.		ROD WIPER	Only found in seal kit item 18	
12.		O-RING PISTON	Only found in seal kit item 18	
13.	1D1401-250	CROSS PISTON		
14.	4C2024	CROSS BASE		
15.	2A0246-12	CROSS NUT, PISTON		
16.	1D1582-16275	CROSS PIN, CLEVIS (BASE END)		
17.	2A0308-1	RPBY 805-032C		
18.	810-119C	RPBY 810-210C		

[Table of Contents](#) [Part Number Index](#)

Monarch Hydraulic Cylinder 2.5 x 20 x 1.12 (810-118C)

(Applies to 3S-3000 HD, 3S-3000 HDF only)



15713

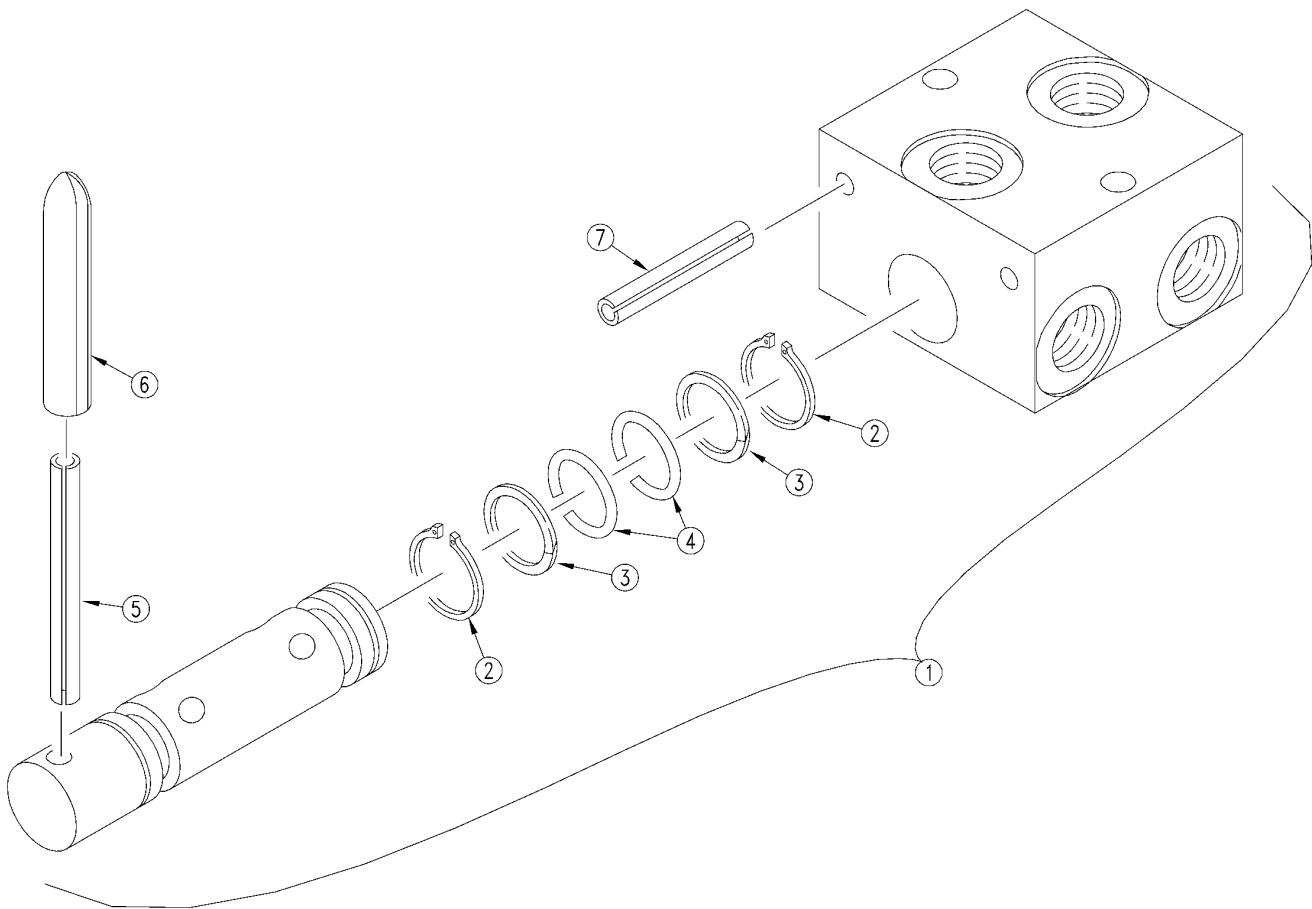
Monarch Hydraulic Cylinder 2.5 x 20 x 1.12 (810-118C)

(Applies to 3S-3000 HD, 3S-3000 HDF only)

Ref	Part No.	Part Description	Comments	Revision
	dwg15713	Image No.		
1.	492650	LION ROD CLEVIS 1 1/8-12UNF		
2.	492643	LION ROD 1.25 X 20		
3.	492724	LION ROD CAP 2.5X1.25 9/16 ORB		
4.	492529	LION PISTON		
5.	491680	LION CYL. TUBE 2.5X20 H6080		
6.	492371	LION CLEVIS CAP 2.5		
7.	492230	LION TIE ROD 3/8X20 H6630 RIO		
8.	134953	LION PIN		
9.		WIPER SEAL	Only found in seal kit 21	
10.		O-RING	Only found in seal kit 21	
11.		BACKUP RING	Only found in seal kit 21	
12.		O-RING	Only found in seal kit 21	
13.		BACKUP RING	Only found in seal kit 21	
14.	129090	LION NUT 3/4UNC		
15.	803-014C	NUT HEX 3/8-16 PLT		
16.	801-023C	SCREW SET SH 3/8-16X3/8 TYPE C		
17.	134952	LION PIN CLIP-CLEVIS		
18.		O-RING	Only found in seal kit 21	
19.		BACKUP RING	Only found in seal kit 21	
20.	186561	LION PLUG		
21.	810-254C	SEAL KIT LN 639574 2.5BX1.25RD		

Double Selector Valve (810-274C)

(Applies to 3S-3000 HD, 3S-3000 HDF only)



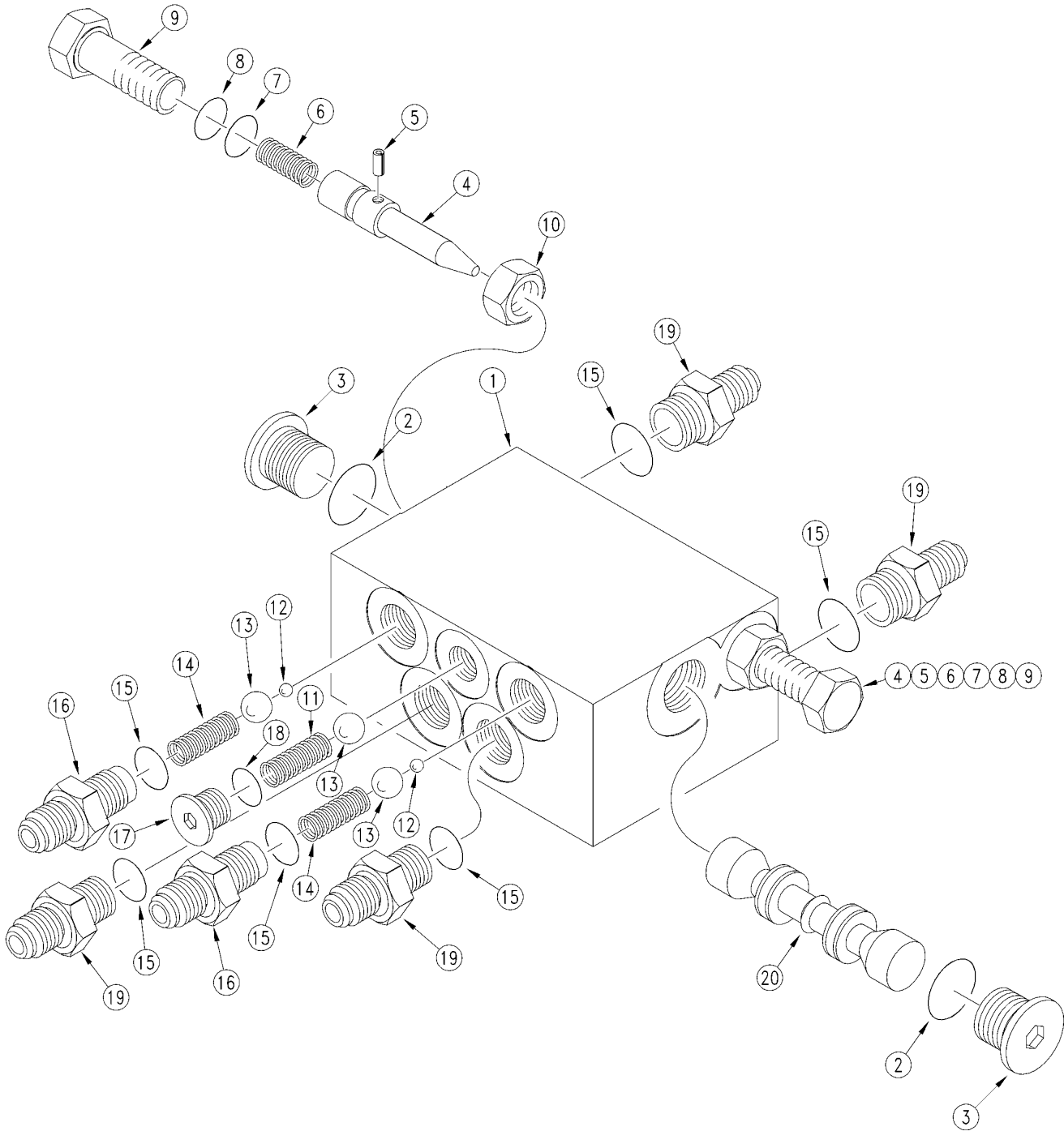
Double Selector Valve (810-274C)

(Applies to 3S-3000 HD, 3S-3000 HDF only)

Ref	Part No.	Part Description	Comments	Revision
	dwg14927	Image No.		
1.	810-274C	DOUBLE SELECTOR VALVE 3/4FORB		
2.	1079	RPBY SEAL KIT		
3.	1089-210	RPBY SEAL KIT 810-458C		
4.	1088-210	SHOEMAKER O-RING BUNA N 70DURO		
5.	1285	SH GROOVE PIN		
6.	817-255C	BLACK VINYL GRIP		
7.	1084	SH PIN, SPRING 0.25 DIAMETER		

Sequence Valve (810-197C)

(Applies to 3S-3000 HD, 3S-3000 HDF only)



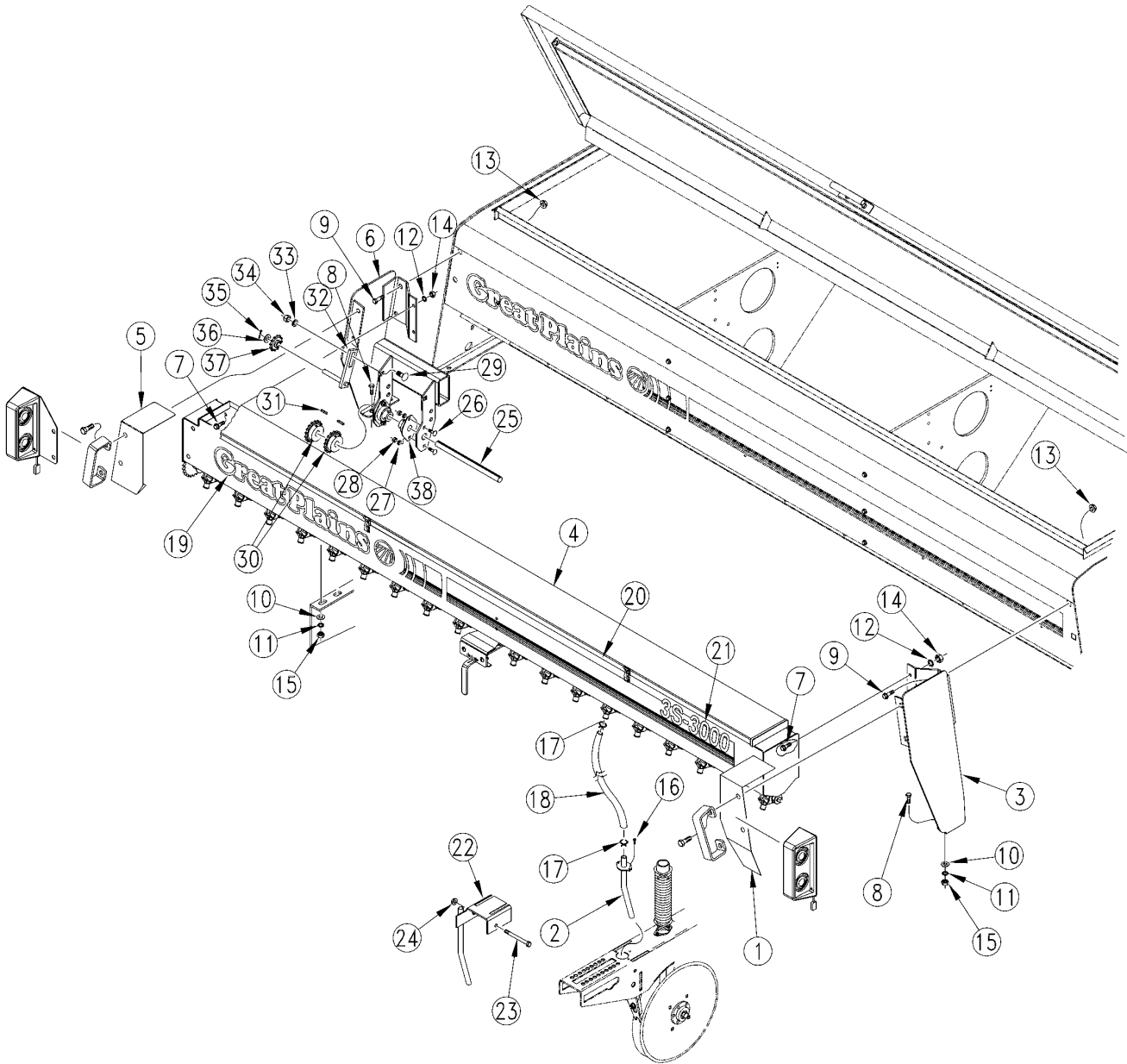
Sequence Valve (810-197C)

(Applies to 3S-3000 HD, 3S-3000 HDF only)

Ref	Part No.	Part Description	Comments	Revision
	dwg12024	Image No.		
1.	3089	SHOEMAKER BODY MKR SEQ VALVE		
2.	1088-908	SHOEMAKER O-RING		
3.	1132-08	SHOEMAKER PLUG, HEX SOCKET		
4.	1179	SHOEMAKER NEEDLE, FLOW CONTROL		
5.	1217	SHOEMAKER .125 SPRING PIN		
6.	1211	SHOEMAKER SPRING COMPRESSION		
7.	1088-011	RPBY 1100-011		
8.	1089-011	RPBY SEAL KIT		
9.	1180	SHOEMAKER SCREW, FLOW CON.ADJ.		
10.	1218	SHOEMAKER HEX, JAM NUT Z PLTD.		
11.	1099	RPBY SEAL KIT		
12.	1087-250	RPBY SEAL KIT		
13.	1087-437	RPBY SEAL KIT		
14.	1042	RPBY SEAL KIT		
15.	1088-906	SHOEMAKER O-RING		
16.	1182	SHOEMAKER FITTING PORT ADPT.		
17.	1132-05	SHOEMAKER HEX, SKT O-RING PLUG		
18.	1088-905	SHOEMAKER O-RING		
19.	1092-6	RPBY 1092-6-6		
20.	2153	SHOEMAKER SPOOL, MKR SEQ. .055		
	810-456C	SEAL KIT SHOEMAKER #1223		

Small Seeds Box To Frame

(Applies to 3S-3000 HD, 3S-3000 HDF only)



20095

Small Seeds Box To Frame

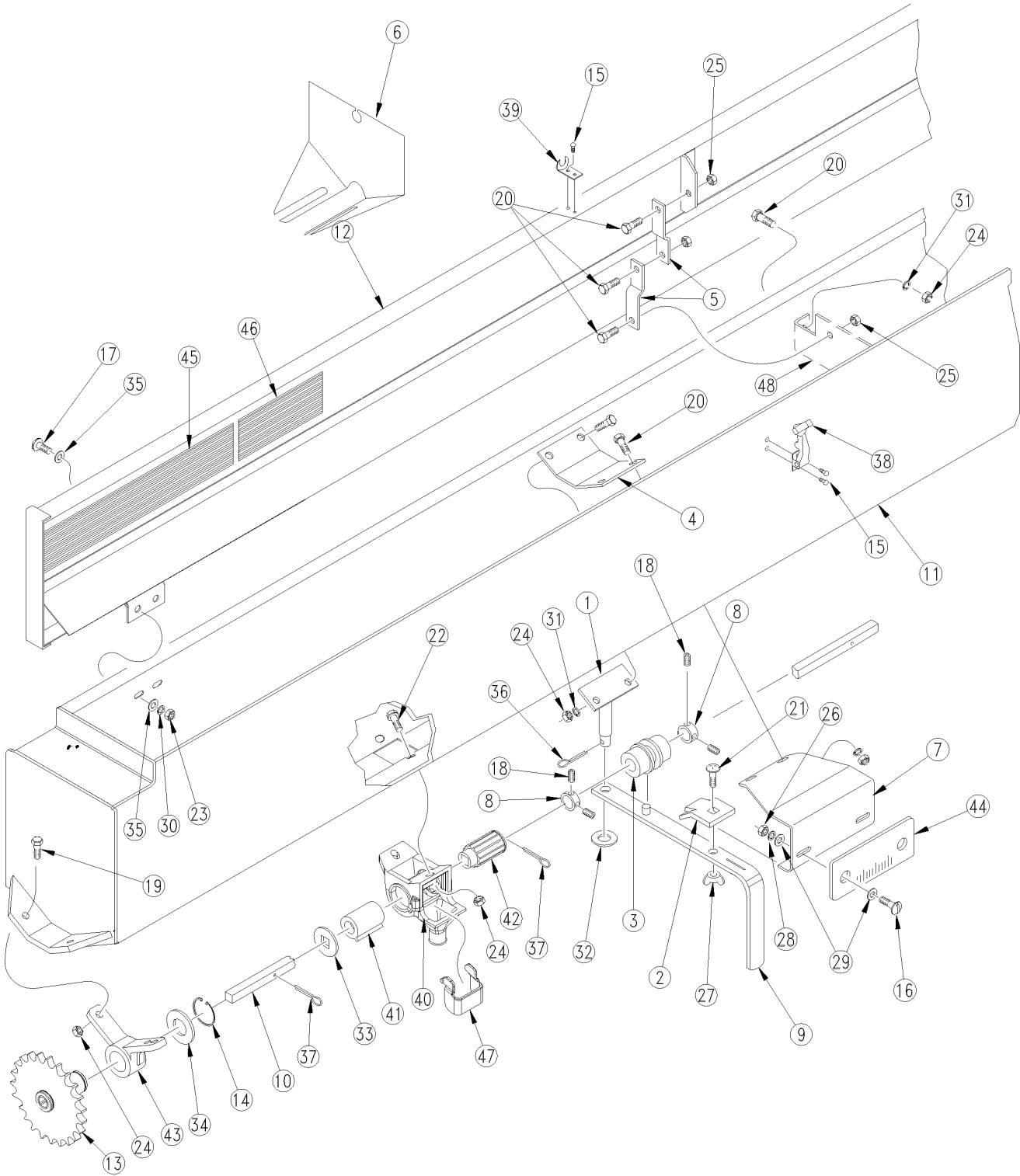
(Applies to 3S-3000 HD, 3S-3000 HDF only)

Ref	Part No.	Part Description	Comments	Revision
	dwg20095	Image No.		
1.	123-492D	HANDLE MOUNT RH CHAIN GUARD		
2.	123-939H	SMALL SEEDS TUBE WELDMENT	With out fertilizer only	
3.	133-160H	SML SDS RH MOUNT WLDM		
4.	133-206K	3000 SML SDS BOX ASSY 10		
4.	133-207K	3000 SML SDS BOX ASSY 7.5		
4.	133-208K	3000 SML SDS BOX ASSY 6		
5.	123-491D	HANDLE MOUNT LH CHAIN GUARD		
6.	133-159H	SML SDS LH MOUNT WLDM W/ DRIVE		
7.	802-388C	HFS 3/8-16X1 GR5		
8.	802-258C	HHCS 1/2-13X1 GR5		
9.	802-034C	HHCS 1/2-13X1 1/4 GR5		
10.	804-016C	WASHER FLAT 1/2 SAE PLT		
11.	804-015C	WASHER LOCK SPRING 1/2 PLT		
12.	804-013C	WASHER LOCK SPRING 3/8 PLT		
13.	803-169C	NUT HEX FLG. LOCK 1/2-13 PLT.		
14.	803-014C	NUT HEX 3/8-16 PLT		
15.	803-020C	NUT HEX 1/2-13 PLT		
16.	801-002C	SCREW HEX SLT10-16X1/2P.THD CT	With out fertilizer only	
17.	800-321C	HOSE CLAMP NO.12 3/4 ID		
18.	816-358C	SGS HOSE 122 RIBS		
19.	838-161C	DECAL LOGO&GP F/STRIPE 4 X 24		
20.	838-160C	DECAL 3 COLOR STRIPE 2.50 WIDE		
21.	838-204C	DECAL 3S-3000		
22.	133-128H	SGS SIDE DELIVERY TUBE	With fertilizer only	
23.	802-427C	HFS 3/8-16X3 3/4 SPTH	With fertilizer only	
24.	803-209C	NUT FLANGE LOCK 3/8-16 PLT	With fertilizer only	
25.	133-024D	RND SHAFT 3/4 X 11 W/KW		
26.	802-282C	RHSNB 5/16-18X1 GR5		
27.	804-009C	WASHER LOCK SPRING 5/16 PLT		
28.	803-008C	NUT HEX 5/16-18 PLT		
29.	802-214C	RHSNB 1/2-13X1 1/4 GR5		
30.	808-170C	SPKT 40B17 X 3/4BORE W/KW&SS		
31.	168-127D	3/16 X 1 KEY		
32.	123-832H	SLOTTED IDLER ARM 1/2 X 3 5/16		
33.	804-015C	WASHER LOCK SPRING 1/2 PLT		
34.	803-020C	NUT HEX 1/2-13 PLT		
35.	805-067C	PIN COTTER 1/8 X 3/4		
36.	804-016C	WASHER FLAT 1/2 SAE PLT		
37.	817-025C	NO. 40 12T IDLER SPKT.		
38.	822-126C	BRG FLG .75ID 2BOLT		

Table of Contents Part Number Index

Small Seeds Box Components

(Applies to 3S-3000 HD, 3S-3000 HDF only)



20107

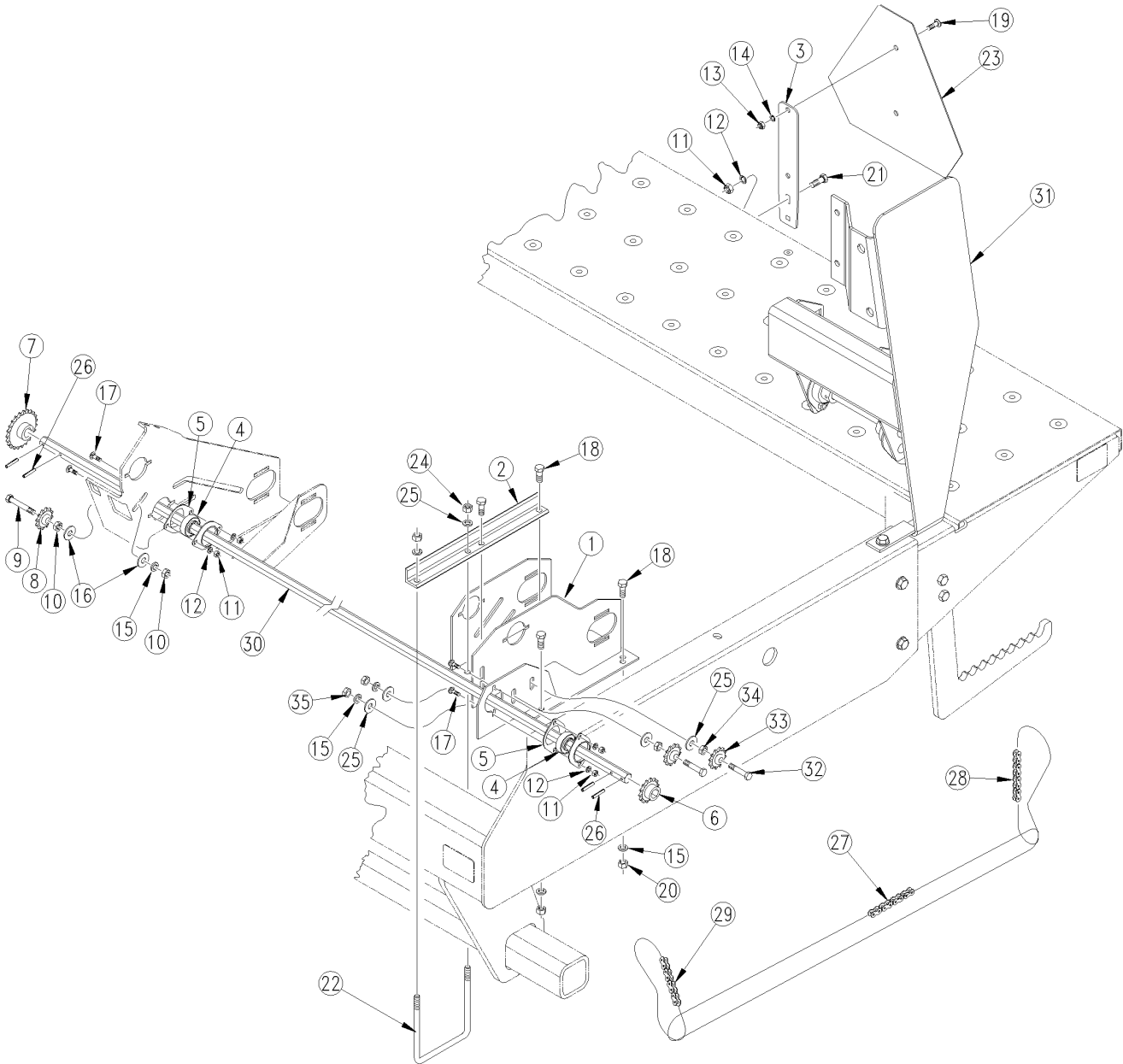
Small Seeds Box Components

(Applies to 3S-3000 HD, 3S-3000 HDF only)

Ref	Part No.	Part Description	Comments	Revision
	dwg20107	Image No.		
1.	123-050H	ADJUSTMENT HANDLE PIVOT		
2.	123-113D	LOCK TAB		
3.	123-116D	SEED ADJUSTMENT SPOOL		
4.	123-118D	SEED ADJUSTMENT SUPPORT		
5.	123-356D	10' EWNT SGS LID LATCH		
6.	123-409D	RMVBL SMALL SEED BOX PARTITION		
7.	123-410D	GAUGE MOUNTING BRACKET		
8.	890-349C	3/8 SHAFT LOCKING COLLAR		
9.	123-476H	REAR SEED RATE ADJ HANDLE WLD		
10.	133-067D	3000 SML SDS CUP SHAFT 10 IN		
10.	148-626D	1000 SMALL SEED SHAFT-7.5		
10.	133-066D	3000 SML SDS CUP SHAFT 6 IN		
11.	133-215H	3000 10" SML SDS BOX WLMT		
11.	148-343H	1000 SS BOX WLMT 7.5		
11.	133-214H	3000 6" SML SDS BOX WLMT		
12.	148-326H	1000 SS BOX LID WELDMENT		
13.	123-834H	SML SDS DRIVE SPKT HUB 27T		
14.	800-028C	SNAP RING .875		
15.	800-101C	RIVET POP 1/8X.265LG FLG		
16.	801-001C	SCREW RD HD 8-32 X 3/8 BRASS		
17.	801-003C	SCREW RD HD SLT 10-24X1/2 PLT		
18.	801-035C	SCREW SET 5/16-18 SKT KP X 3/8		
19.	802-004C	HHCS 1/4-20X3/4 GR5		
20.	802-078C	HHCS 1/4-20X5/8 GR5		
21.	802-092C	RHSNB 5/16-18X3/4 GR5		
22.	802-148C	HFSS 1/4-20X1/2 GR5		
23.	803-001C	NUT HEX 10-24 PLT		
24.	803-006C	NUT-HEX 1/4-20 PLT		
25.	803-007C	NUT-LOCK 1/4-20 PLT		
26.	803-035C	NUT HEX 8-32 BRASS		
27.	803-058C	NUT WING 5/16-18		
28.	804-002C	WASHER INTERNAL STAR #8 BRASS		
29.	804-003C	WASHER FLAT #8 BRASS		
30.	804-004C	WASHER INTERNAL STAR #10 PLT		
31.	804-006C	WASHER LOCK SPRING 1/4 PLT		
32.	804-012C	WASHER FLAT 3/8 SAE PLT		
33.	804-042C	WASHER GRASS SEEDER CUP SHAFT		
34.	804-044C	WASHER FLAT 1 3/8X.876X.048 TH		
35.	804-046C	WASHER FLAT #10 SAE PLT		
36.	805-019C	PIN COTTER 5/32 X 1 PLT		
37.	805-067C	PIN COTTER 1/8 X 3/4		
38.	816-112C	RUBBER LATCH 37-11-065-10		
39.	816-113C	LATCH KEEPER 37-15-061-17		
40.	817-504C	SML SEED FEEDER CUP ASSY	(S/N S1499+)	2nd rev.
40.	817-008C	RPBY 817-504C	(S/N S1498-)	1st rev.
41.	817-009C	GRASS SEEDER SLEEVE		
42.	817-010C	GRASS SEEDER SPROCKET		
43.	817-026C	HANGER DRIVE SHAFT		
44.	819-041C	SEED ADJUSTMENT GUIDE		
45.	818-245C	GRASS SEEDER SEED RATE		
46.	818-207C	DECAL GRSSDR SD RATE ADJ INSTR		
47.	817-806C	SMALL SEEDS CUP WIND SHIELD		
48.	133-147D	SGS UPPER BOX PARTITION		

Small Seeds Drive

(Applies to 3S-3000 HD, 3S-3000 HDF only)



20096

Small Seeds Drive

(Applies to 3S-3000 HD, 3S-3000 HDF only)

Ref	Part No.	Part Description	Comments	Revision
	dwg20096	Image No.		
1.	195-145H	FERTILIZER DRIVE WELDMENT LH		
2.	195-212D	ANGLE, FERTILIZER DRIVE MOUNT		
3.	133-070D	3000 SMV MOUNTING BLADE		
4.	822-119C	BRG 7/8HEXX2.05OD SPH		
5.	822-032C	FLANGETTE 52 MST		
6.	808-259C	SPKT 40B14 X 7/8 HEX BORE		
7.	808-256C	SPKT 40C23 X 7/8 HEX BORE		
8.	817-025C	NO. 40 12T IDLER SPKT.		
9.	802-041C	HHCS 1/2-13X3 1/2 GR5		
10.	803-036C	NUT HEX JAM 1/2-13 PLT		
11.	803-008C	NUT HEX 5/16-18 PLT		
12.	804-009C	WASHER LOCK SPRING 5/16 PLT		
13.	803-006C	NUT-HEX 1/4-20 PLT		
14.	804-006C	WASHER LOCK SPRING 1/4 PLT		
15.	804-015C	WASHER LOCK SPRING 1/2 PLT		
16.	804-017C	WASHER FLAT 1/2 USS PLT		
17.	802-282C	RHSNB 5/16-18X1 GR5		
18.	802-034C	HHCS 1/2-13X1 1/4 GR5		
19.	802-004C	HHCS 1/4-20X3/4 GR5		
20.	803-020C	NUT HEX 1/2-13 PLT		
21.	802-007C	HHCS 5/16-18X3/4 GR5		
22.	806-060C	U-BOLT 1/2-13 X 6 1/32 X 7 1/4		
23.	818-055C	DECAL SLOW MOVING-GALV. BACKED		
24.	803-019C	NUT LOCK 1/2-13 PLT		
25.	804-016C	WASHER FLAT 1/2 SAE PLT		
26.	805-180C	PIN ROLL 1/4 X 1 1/2 LG PLT		
27.	136-183D	CHAIN RL #40 203 PITCHES		
28.	136-104D	CHAIN RL #40 62 PITCHES		
29.	136-064D	CHAIN RL #40 51 PITCHES		
30.	195-211D	HEX SHAFT 7/8, AUXILIARY POWER		
31.	133-162K	2600 SMLSDS LH MOUNT&DRIVE ASY	Breakdown on "Small Seeds Box To Frame"	
32.	802-039C	HHCS 1/2-13X3 GR5		
33.	817-025C	NO. 4012T IDLER SPKT.		
34.	803-036C	NUT HEX JAM 1/2-13 PLT		
35.	803-169C	NUT HEX FLG LOCK 1/2-13 PLT		



Part Number Index

The Part Number Index is a numeric index of all part numbers included in this manual. The index shows what page(s) the part is used on.

<u>Part Number</u>	<u>Page</u>	<u>Part Number</u>	<u>Page</u>	<u>Part Number</u>	<u>Page</u>	<u>Part Number</u>	<u>Page</u>
1-100-02-00	219	118-433D	67, 69	133-024D	235	176-066D	107, 109, 111, 113, 115, 117, 119, 133, 135
1042	233	118-434D	67	133-065D	153	176-076D	133, 135
107-111D	141, 143, 145, 147, 149, 151	118-437D	67, 69	133-066D	237	176-078D	135
107-137V	141, 143, 145, 147, 149, 151	118-438D	69	133-067D	237	176-080D	133, 135
1079	231	118-439D	69	133-070D	239	176-081D	133
1084	231	118-440D	71	133-128H	235	176-084D	133, 135
1087-250	233	118-442D	71	133-147D	237	181-064D	17
1087-437	233	118-443D	67	133-159H	235	185-014D	11
1088-011	233	118-443H	73	133-160H	235	186561	229
1088-210	231	118-444H	73	133-162K	239	186562	199
1088-905	233	118-508D	67, 69, 71	133-206K	235	188-001V	141, 143, 145, 147, 149, 151
1088-906	233	1180	233	133-207K	235	188-008V	155
1088-908	233	1182	233	133-208K	235	191-001D	45
1089-011	233	119-153D	33, 35	133-214H	237	191-002D	45
1089-210	231	119-154D	33, 35	133-215H	237	191-018D	45
109-025H	73	119-190D	29, 31	134952	199, 229	194-058D	55
109-069D	73	120-198D	79, 85	134953	199, 229	194-070D	9
109-091D	67, 69, 71	120-247D	63, 65	136-027D	129	194-100D	63, 65
1092-6	233	120285	157	136-044D	99, 115, 127	194-100H	29
1099	233	121-004S	147, 149, 151	136-052D	93, 97, 103, 111, 115, 123, 127	194-101D	63, 65
113-180H	215	121-005S	141, 143, 145	136-064D	97, 115, 125, 127, 239	194-101H	25
113-181H	215	121-008H	143, 149	136-104D	239	194-102H	29
113-182H	215	121-044D	141, 143, 147, 149, 151	136-118D	99, 115, 127	194-104H	9
113-183H	215	121-151D	141, 143, 145, 147, 149, 151	136-122D	91, 93, 97, 101, 103, 111, 115, 117, 119, 121, 123, 127	194-105H	11
113-188H	215	121-154D	141, 143, 145, 147, 149, 151	136-127D	129	194-106H	11
113-189H	215	121-166D	145	136-151D	99, 115, 127	194-108H	13
113-190H	215	121-169D	141, 143, 145	136-152D	119	194-110H	15
113-200H	215	121-176D	145, 151	136-173D	79, 85	194-113H	15
113-248D	215	1211	233	136-175D	79, 83, 85	194-115H	21
113-311D	215	1217	233	136-183D	239	194-117H	19
113-312D	215	1218	233	136-207D	99, 115, 127	194-118H	19
113-313D	215	122-001S	141, 143, 145, 147, 149, 151	141-084D	45	194-120H	21
113-319D	215	122-003D	155	142-198D	141, 143, 145, 147, 149, 151	194-123K	63
113-323D	215	122-004D	159	148-326H	237	194-124H	63
113-324D	215	122-006D	159	148-343H	237	194-125H	65
113-325D	215	122-041D	171, 173	148-402D	15	194-126H	63
113-351D	215	122-094D	173	148-626D	237	194-127H	63
113-369H	219	122-103S	173	152-044D	67, 69	194-128H	63, 65
113-370D	9, 13, 19, 221, 223	122-110D	171	152-215D	17	194-129H	63, 65
113-558H	215	122-117S	171	152-262D	131, 137, 139	194-134H	13
113-559H	215	122-120D	155	152-263D	131	194-135H	59, 61
113-560H	215	122-164D	155	152-283D	89, 91, 121	194-145H	29, 31
113-562H	219	122-166D	155	152-390D	79, 85	194-146H	25, 27
113-563S	215	122-179D	159	152-597D	83	194-147H	29, 31
113-568H	215	122-197V	173	155-007K	17	194-150D	105
1132-05	233	122-198V	171	155-012K	17	194-150H	19
1132-08	233	122-250H	155	161-026K	79, 83, 85	194-151H	19
116-019D	77	123-050H	237	161-046K	79, 83, 85	194-155H	63
116-020D	77	123-113D	237	168-127D	235	194-156H	63, 65
116-132K	75	123-116D	237	170-033H	9	194-203H	65
116-181D	75	123-118D	237	170-034H	9	194-204H	63
116-353D	219	123-356D	237	171-043D	53	194-205H	63
116-354D	219	123-409D	237	171-101H	53	194-249D	195
1179	233	123-410D	237	171-102H	53	194-268D	19
118-226S	67, 69, 71	123-476H	237	175-102H	45	194-269D	23
118-227E	67, 69, 71	123-491D	235	175-180S	33	194-270D	19, 23
118-336D	67, 69, 71	123-492D	235	176-042S	91, 93, 117, 119, 121, 123, 135, 137, 139	194-273D	79, 83, 85
118-339D	69	123-832H	235	176-044S	89, 107, 121, 133	194-274D	79, 83, 85
118-340D	69	123-834H	237	176-065C	139	194-297D	79, 85
118-341D	67, 69, 71	123-939H	235	176-065D	133, 135	194-401D	15
118-347D	69	1285	231			194-402D	15
118-353D	71	129090	229			194-515D	63
118-356D	69, 71	129110	199			194-516D	63, 65
118-370D	69	129BXT821	157			194-525D	19
118-376D	69	129BXT827	157			194-526D	19
118-431D	67					194-527D	19
118-432D	67, 71					194-577D	19

Table of Contents Part Number Index



Part Number Index (continued)

Part Number	Page	Part Number	Page	Part Number	Page	Part Number	Page
195-062H	61	195-169D	89, 91, 93, 95,	195-391H	83	2A0022	177, 225
195-063H	61		101, 103, 121,	195-398H	80	2A0024	197, 203, 205
195-064H	61		123, 125, 127	195-424D	83	2A0079-616	201, 227
195-100D	25, 27, 29, 31	195-170D	91, 93, 107, 117,	195-425D	83	2A0132	177, 197, 203,
195-101D	25, 27, 29, 31		119	195-426D	83		205, 225
195-102D	25, 27, 29, 31	195-172D	107, 109, 111,	195-437S	25, 27, 29, 31	2A0206	225
195-103D	69		113, 115, 117,	195-459D	103	2A0208	177, 197, 203,
195-104D	71		119	196-112D	13, 19, 221, 223		205
195-105D	67	195-176S	39, 41	196-136H	9	2A0235-6	201, 227
195-106D	67, 69, 71	195-177S	35, 37	196-146D	9, 29, 31, 195	2A0236-9	201
195-107D	79, 85	195-178S	43	196-207A	9	2A0246-12	227
195-108D	105	195-179S	43	196-274K	17, 80, 83, 85	2A0308-1	201, 227
195-109D	107, 109, 111,	195-180S	43	196-275K	17, 80, 83, 85	2A0578-2475	227
	113, 115, 117,	195-181H	39	196-429D	175	2A0581-1325	201
	119	195-182H	39	196-542K	17, 80, 83, 85	2M2316	177
195-112D	49, 51	195-183H	39	196-543K	17, 80, 83, 85	2M3326	225
195-114H	59, 61	195-184S	99, 113, 115,	196-885D	195	2M5416	197
195-121D	59		125, 127	196-998D	9	2M5420	205
195-122D	59	195-186D	91, 93, 95, 97	197-001D	19, 23	2M5530	203
195-124H	47	195-186K	95, 97	197-023H	47	30102360	191, 193
195-125H	33, 35	195-187D	91, 93, 95, 97	197-089D	47	30102754	209
195-128H	105	195-187K	101, 103, 125,	197-091D	47	3089	233
195-129H	105		127	197-096D	47	313-076S	35
195-130H	131	195-188D	109, 111, 113,	198-137D	163, 165, 167,	313-176D	33, 35
195-131H	131		115		169, 171, 173	313-186D	33, 35
195-134H	89, 91, 95, 101,	195-188H	63, 65	198-331D	141, 143, 147,	318917	77
	107, 109, 111,	195-189D	121, 123, 125,		149	318951	77
	113, 115, 117,		127	199-043H	165	326-892K	129
	119, 121, 125	195-190H	131	199-088H	163	326-893H	129
195-135H	89, 91, 95, 101,	195-191D	41	199-089H	163	330-404H	129
	107, 109, 111,	195-192D	41	1A1141	201	39680008	209
	113, 115, 117,	195-193D	39	1D0005-2250	227	3C4549	201
	119, 121, 125	195-194D	39	1D0009-1050	201	3M2310	177
195-136H	89, 91, 95, 101,	195-195D	41	1D0204-2475	227	3R0310	225
	107, 109, 111,	195-196D	37, 97	1D0205-1462	201	3R3410	205
	113, 115, 117,	195-197D	35, 37, 41	1D1003-4	227	3R3412	197
	119, 121, 125	195-198D	35, 37, 41	1D1155-13	227	3R3812	203
195-137H	89, 91, 95, 101,	195-199D	45	1D1159-8	201	402-050D	93, 97, 103, 123,
	107, 109, 111,	195-204D	45	1D1224-8	201		127
	113, 115, 117,	195-205D	27, 31	1D1401-250	227	402-051D	93, 97, 103, 123,
	119, 121, 125	195-206D	27, 31	1D1401-350	201		127
195-138H	89, 107, 121, 129	195-207D	27, 31	1D1582-16275	227	402-376D	93, 97, 103, 123,
195-139H	89, 91, 95, 101,	195-208D	39	1D1582-16300	201		127
	121, 123, 125	195-211D	95, 97, 113, 115,	1M6006	177, 225	403-751D	93, 97, 103, 123,
			125, 127, 239	1M7016	197, 203, 205		127
195-142D	79	195-212D	239	200-001D	17	404-121S	141, 143, 145,
195-143D	85	195-222D	139	202-189D	167, 169		147, 149, 151
195-144D	131	195-229D	79	202-190D	171	404-170H	141, 147
195-145H	129, 239	195-230D	85	202-274D	173	405-031D	163
195-146H	45	195-231D	117, 119	206-014S	155	491680	229
195-147H	45	195-232D	101, 103	2153	233	491798	199
195-148H	45	195-234D	79	221-130H	147	492230	229
195-149D	89	195-254D	131	221-131H	141	492338	199
195-150D	107	195-264H	89, 91, 93, 95,	221-641H	149	492371	229
195-151D	105		97, 101, 103,	221-642H	143	492528	199
195-152D	105		125, 127	221-694H	151	492529	229
195-153D	105	195-265D	79	221-695H	145	492643	229
195-153H	129	195-266D	85	221-730S	145, 151	492650	229
195-154H	129	195-310H	61	248-251D	33	492652	199
195-155H	129	195-311H	61	253000	75	492676	199
195-157D	105	195-320S	93, 97, 103, 123,	253001	75	492677	199
195-158H	129		127	253016	77	492700	199
195-159D	79, 83, 85	195-336D	39	253017	77	492724	229
195-159H	129	195-340D	61	253100	77	4C2024	227
195-160D	79, 83, 85	195-351D	79	253700	75	4M2102	177
195-160H	139	195-352D	79, 83	253701	75	4M3102	225
195-161H	117, 119, 137	195-355D	80, 83	2A0006	177, 197, 203,	4M5102	197, 203, 205
195-165D	49, 51	195-375D	123, 127		205, 225	500-090B	209
195-167D	121	195-376D	93, 97, 123, 127	2A0012	177, 197, 203,	5070	207
195-168D	107, 117, 119	195-381D	93, 97		205, 225	5075	207
		195-390H	83	2A0016	197, 203, 205	540017	77



Part Number Index (continued)

Part Number	Page	Part Number	Page	Part Number	Page	Part Number	Page
548-002S	185	801-057C	67, 69, 71	802-159C	9	803-008C	45, 73, 89, 91,
548-005S	175	801-067C	75	802-168C	195, 215, 221,		93, 95, 97, 101,
548-006S	181	801-068C	11, 15		223		103, 105, 107,
589-046D	55	801-070C	89, 121	802-178C	19		109, 111, 113,
5M2116	177	801-081C	51	802-196C	39, 43, 73		115, 117, 119,
5M3128	225	801-084C	155	802-197C	171		121, 123, 125,
5M5116	197	801-096C	47	802-203C	25, 27, 29, 31,		127, 129, 131,
5M5120	205	801-141C	155		33, 49		161, 235, 239
5M5128	203	801-151C	49	802-204C	63	803-011C	33, 35, 79, 83,
61010016	209	801-154C	47	802-205C	51		85, 215
61010039	209	801-172C	141, 143, 145,	802-212C	15	803-013C	131, 187, 189,
61011003	209		147, 149, 151	802-214C	235		195, 215
6M2132	177	801-199C	77	802-228C	141, 143, 145,	803-014C	13, 25, 27, 29,
6R0158	225	802-004C	9, 33, 67, 69, 71,		147, 149, 151		31, 45, 49, 51,
6R3150	205		121, 123, 237,	802-249C	215		55, 71, 131, 155,
6R3162	203		239	802-252C	19, 45, 155		157, 159, 219,
6R3164	197	802-005C	39, 163, 165	802-254C	215		221, 223, 229,
710425	77	802-007C	73, 161, 239	802-257C	77		235
770026	77	802-010C	9, 29, 31, 195	802-258C	235	803-015C	61
7M2316	177	802-012C	131	802-261C	215	803-016C	73
7M3328	225	802-014C	67, 69, 73, 223	802-266C	215	803-019C	99, 113, 115,
7M5316	197	802-015C	33, 159, 161	802-273C	19, 21		125, 127, 215,
7M5320	205	802-017C	35, 39, 61, 131,	802-282C	89, 91, 93, 95,		239
7M5328	203		137, 139, 159,		97, 101, 103,	803-020C	9, 11, 25, 27, 29,
800-001C	11, 15, 21, 63,		219		105, 107, 109,		31, 59, 61, 63,
	65, 105, 215	802-022C	55, 215		111, 113, 115,		65, 105, 129,
800-003C	73	802-026C	187, 189		117, 119, 121,		131, 215, 235,
800-004C	67, 69, 71	802-030C	61		123, 125, 127,		239
800-008C	143, 149, 153	802-034C	25, 27, 29, 31,		129, 161, 235,	803-021C	53, 83, 105, 215
800-009C	141, 143, 147,		59, 61, 129, 235,		239	803-022C	199
	149		239	802-283C	15	803-024C	17, 215
800-012C	41, 45	802-039C	9, 79, 83, 85,	802-375C	35, 39, 41, 43	803-026C	63, 65
800-016C	105, 153		215, 239	802-387C	25, 27, 29, 31, 39	803-027C	15, 53, 63
800-028C	237	802-041C	93, 97, 103, 111,	802-388C	235	803-028C	19, 63, 65
800-030C	45		115, 123, 127,	802-399C	17	803-029C	17
800-032C	45		239	802-411C	33, 35, 157	803-030C	129
800-052C	77	802-045C	141, 143, 145,	802-413C	93, 97, 103, 111,	803-031C	13, 63, 65
800-058C	63, 89, 91, 93,		147, 149, 151		115, 119, 123,	803-032C	19, 21
	107, 117, 119,	802-055C	53		127	803-034C	9
	121, 123, 137,	802-058C	165, 167, 169	802-418C	93, 97, 103, 123,	803-035C	73, 237
	139	802-059C	163, 171		127	803-036C	79, 83, 85, 89,
800-064C	49, 51	802-070C	65	802-421C	163, 165, 167,		91, 93, 95, 97,
800-082C	183, 185, 187,	802-078C	37, 41, 237		169, 171, 173		101, 103, 107,
	189, 191, 193,	802-079C	13, 25, 27, 29,	802-425C	33, 35		109, 111, 113,
	221, 223		31, 45, 61, 131	802-427C	235		115, 117, 119,
800-093C	155	802-082C	59, 63, 65	802-441C	63, 65		121, 123, 125,
800-101C	47, 237	802-088C	83, 105	802-442C	27, 31		127, 129, 141,
800-107C	67, 69, 71	802-092C	45, 93, 97, 123,	802-543C	9		143, 145, 147,
800-112C	49, 51, 75		127, 237	802-544C	9, 21		149, 151, 215,
800-121C	33, 35	802-095C	63, 65	802-548C	79, 85		239
800-130C	19	802-099C	89, 91, 95, 101,	802-550C	147, 149, 151	803-037C	141, 143, 145,
800-148C	49, 51		107, 109, 113,	802-551C	91, 93, 137, 183,		147, 149, 151
800-177C	133, 135		117, 119, 121,		185, 187, 189,	803-049C	25, 27
800-211C	19		125, 129		191, 193	803-053C	219
800-213C	141, 143, 145,	802-103C	25, 27	802-586C	63, 65	803-058C	237
	147, 149, 151	802-104C	17, 79, 83, 85	802-594C	63	803-064C	75
800-292C	141, 147	802-106C	105	802-615C	13	803-068C	61
800-321C	235	802-115C	215	802-617C	167	803-079C	19, 23
800-322C	141, 143, 145	802-119C	173	802-618C	169	803-081C	21
800-435C	83	802-121C	141, 143, 145,	802-633C	45	803-088C	35, 39, 41, 43,
800-436C	19		147, 149, 151	802-662C	63		45, 73, 77, 163,
800-449C	19	802-128C	11	802-687C	79, 83, 85		165, 167, 169
801-001C	73, 237	802-138C	13, 79, 83, 85,	802-705C	19	803-159C	219
801-002C	153, 235		221, 223	803-001C	47, 237	803-169C	25, 27, 29, 31,
801-003C	237	802-139C	65	803-003C	47		49, 51, 79, 85,
801-009C	45	802-148C	45, 237	803-006C	9, 11, 15, 45,		93, 97, 103, 111,
801-016C	75	802-151C	173		183, 185, 187,		115, 119, 123,
801-023C	83, 199, 229	802-152C	107, 117, 119,		189, 191, 193,		127, 141, 143,
801-035C	67, 69, 71, 237		139		237, 239		145, 147, 149,
801-045C	47	802-153C	17	803-007C	37, 39, 237		151, 163, 165,
801-054C	215	802-155C	19, 161				

Table of Contents Part Number Index



Part Number Index (continued)

Part Number	Page	Part Number	Page	Part Number	Page	Part Number	Page
	167, 169, 171, 173, 235, 239	804-022C	53, 83, 105, 163, 165, 167, 169, 171, 173, 215	805-180C	89, 91, 93, 95, 97, 101, 103, 105, 107, 109, 111, 113, 115, 117, 119, 121, 123, 125, 127, 129, 137, 139, 239	808-449C	93, 97, 103, 123, 127
803-177C	27, 31, 161, 171, 173	804-023C	15, 53, 63			809-045C	99, 113, 115, 125
803-178C	121	804-025C	21, 63, 65, 219			809-071C	95, 113, 115
803-193C	141, 143, 145, 147, 149, 151	804-027C	13, 63, 65			809-146C	99, 113, 115, 125, 127
803-194C	67, 69, 71	804-028C	13			809-149C	89, 91, 93, 95, 97, 101, 103, 107, 109, 111, 113, 115, 117, 119, 121, 123, 125, 127
803-199C	25, 27, 29, 31, 39	804-029C	215	805-186C	141, 143, 147, 149, 151		
803-208C	79, 85	804-030C	9, 19, 21	805-197C	59, 61		
803-209C	19, 33, 35, 39, 61, 161, 235	804-031C	67, 69, 71	805-234C	141, 143, 145, 147, 149, 151	809-160C	99, 113, 115, 125
803-214C	21	804-035C	19, 23	805-236C	63, 65	809-164C	89, 91, 95, 107, 109, 111, 113, 115, 121, 125
803-215C	131, 137, 139	804-036C	19, 33, 35, 73	805-240C	89, 91, 93, 95, 97, 101, 103, 107, 109, 111, 113, 115, 117, 119, 121, 123, 125, 127, 129		
803-239C	79, 83, 85	804-037C	25, 27	805-249C	80	809-171C	129
803-263C	79, 83, 85	804-039C	21	805-335C	141, 147	809-172C	79, 85
803-293C	33	804-040C	73, 141, 143, 145, 147, 149, 151	805-385C	141, 143, 145, 147, 149, 151	810-058C	221
803-310C	141, 143, 145	804-042C	237			810-059C	203
803-375C	129	804-043C	75	805-439C	145, 151	810-104C	11, 179, 181
804-001C	73	804-044C	237	806-005C	215	810-118C	215, 221, 223
804-002C	73, 237	804-046C	237	806-039C	215	810-119C	227
804-003C	73, 237	804-048C	45	806-051C	131	810-146C	201
804-004C	237	804-054C	47	806-060C	99, 113, 115, 125, 127, 215, 239	810-149C	197, 205
804-006C	9, 45, 89, 91, 93, 107, 117, 119, 121, 123, 137, 139, 183, 185, 187, 189, 191, 193, 237, 239	804-061C	93, 97, 107, 109, 111, 113, 115, 117, 119, 123, 127	806-093C	53	810-197C	223
804-007C	41	804-062C	21	806-099C	131	810-210C	225
804-009C	9, 13, 19, 29, 31, 45, 73, 89, 91, 93, 95, 97, 101, 103, 105, 107, 109, 111, 113, 115, 117, 119, 121, 123, 125, 127, 129, 161, 195, 221, 223, 235, 239	804-075C	47, 183, 185, 187, 189, 191, 193	806-051C	131	810-254C	229
		804-078C	155	807-072C	131	810-256C	199
		804-082C	11, 15	807-073C	9	810-274C	195, 221, 223, 231
		804-088C	75	807-097C	107, 109, 111, 113, 115, 117, 119, 133, 135	810-293C	191, 193
		804-095C	79, 83, 85	807-101C	155	810-298C	19, 175
		804-098C	79, 85	807-106C	33, 35, 141, 143, 145, 147, 149, 151	810-299C	63, 65, 183, 185, 187, 189, 191, 193
		804-113C	79, 83, 85, 89, 91, 93, 95, 97, 101, 103, 107, 109, 111, 113, 115, 117, 119, 125, 127, 129	807-188C	155	810-300C	183, 185, 187, 189, 191, 193
804-010C	9, 195	804-134C	25, 27	807-262C	141, 143, 145, 147, 149, 151	810-301C	183, 185, 187, 189, 191, 193
804-011C	13, 19, 25, 27, 29, 31, 35, 131, 187, 189, 215	804-141C	21	808-086C	45	810-303C	191, 193, 207
804-012C	73, 155, 159, 219, 237	804-154C	141, 143, 145, 147, 149, 151	808-097C	79, 85	810-310C	177
804-013C	13, 25, 27, 29, 31, 45, 49, 51, 55, 61, 67, 69, 71, 73, 131, 155, 157, 159, 219, 221, 223, 235	804-182C	79, 83, 85	808-143C	89, 91, 93, 95, 97, 99, 101, 103, 107, 109, 111, 113, 115, 117, 119, 121, 123, 125, 127	810-316C	15, 179, 181
804-014C	61	805-016C	17, 73			810-343C	191, 193
804-015C	9, 11, 25, 27, 29, 31, 59, 61, 63, 65, 79, 83, 85, 89, 91, 93, 95, 97, 101, 103, 105, 107, 109, 111, 113, 115, 117, 119, 123, 127, 129, 131, 215, 235, 239	805-019C	219, 237	808-256C	93, 97, 103, 111, 115, 119, 123, 127, 239	810-344C	191, 193
		805-020C	155	808-257C	93, 97, 103, 111, 115, 119, 123, 127	810-371C	187, 189
		805-024C	133, 135			810-408C	57
		805-026C	121, 123, 143, 149	808-413C	57, 183, 185, 187, 189, 191, 193	810-410C	183, 187, 191
		805-030C	79, 85			810-432C	57, 183, 185, 187, 189, 191, 193
		805-032C	59, 61	808-170C	235	810-456C	233
		805-058C	215	808-240C	91, 93, 121, 123, 137, 139	810-554C	185, 189, 193
		805-067C	47, 105, 235, 237	808-256C	93, 97, 103, 111, 115, 119, 123, 127, 239	811-021C	195, 221, 223
		805-069C	155			811-035C	221, 223
		805-083C	131	808-258C	93, 97, 103, 111, 115, 119, 123, 127	811-044C	221
		805-085C	19, 23			811-057C	179
		805-104C	11, 15, 63, 65	808-259C	93, 97, 103, 111, 115, 119, 123, 127, 239	811-063C	195
		805-109C	131, 141, 143, 145, 147, 149, 151			811-064C	179, 181, 183, 185, 187, 189, 191, 193
804-016C	11, 61, 79, 85, 105, 235, 239	805-124C	11, 15	808-260C	129	811-065C	179, 181, 183, 185, 187, 189, 191, 193
804-017C	9, 121, 123, 215, 239	805-127C	141, 143, 145, 147, 149, 151	808-287C	79, 85	811-118C	183, 187, 189, 191, 193
804-019C	53, 105	805-148C	79, 83, 85	808-413C	79	811-133C	183, 185, 187, 189, 191, 193
804-021C	73	805-156C	63, 65			811-140C	175
		805-168C	145			811-146C	183, 187, 191
						811-169C	175, 185

Table of Contents Part Number Index



Part Number Index (continued)

Part Number	Page	Part Number	Page	Part Number	Page	Part Number	Page
811-170C	179, 183, 185	812-367C	161	817-069C	67, 69, 71	818-557C	213
811-171C	175, 179, 181, 183, 185, 187, 189, 191, 193, 221, 223	812-394C	145, 151	817-070C	67, 69, 71	818-598C	213
811-181C	195	814-008C	79, 83, 85	817-071C	67, 69, 71	818-650C	213
811-183C	175	814-010C	173	817-072C	67, 69, 71	818-660C	213
811-193C	191, 193	814-011C	79, 83	817-073C	67, 69, 71	818-662C	213
811-203C	209	814-023C	17	817-074C	67, 69, 71	818-663C	213
811-216C	185, 189, 193	814-026C	85	817-075C	67, 69, 71	818-664C	213
811-252C	179, 181	814-031C	17	817-084C	141, 143, 145, 147, 149, 151,	818-682C	216
811-272C	195	814-034C	165	817-086C	47	818-708C	213
811-281C	221, 223	814-067C	171	817-087C	73	818-710C	213
811-286C	183, 185, 187, 189, 191, 193	814-157C	167	817-111C	133, 135, 139	818-752C	17, 213
811-293C	221, 223	814-158C	169	817-191C	155	819-001C	73
811-312C	179, 181, 183, 185, 187, 189, 191, 193	814-159C	167	817-202C	47	819-041C	237
811-315C	221	814-160C	169	817-255C	231	820-094C	219
811-356C	183, 185	814-174C	165	817-273C	105	820-287C	141, 143, 145, 147, 149, 151
811-362C	179, 181	814-201C	83	817-296C	167	820-431C	161
811-393C	187, 189	814-207C	17, 80, 83, 85	817-297C	169	822-008C	73
811-394C	175, 181, 185, 195	814-209C	17, 80, 83, 86	817-308C	11, 15	822-020C	17
811-430C	189, 193	814-210C	17, 80, 85	817-321C	39	822-021C	17
811-436C	179, 181	814-238C	163	817-322C	39	822-030C	219
811-439C	191, 193	814-244C	163	817-323C	45	822-032C	89, 91, 93, 95, 97, 101, 103, 105, 107, 109, 111, 113, 115, 117, 119, 121, 123, 125, 127, 129, 239
811-470C	175	814-540C	79, 83, 85	817-324C	39	822-048C	17
811-531C	191, 193	814-551C	17	817-328C	141, 143, 145, 147, 149, 151	822-053C	17
811-574C	175, 179, 181	815-001C	219	817-330C	163, 165	822-080C	219
811-577C	183, 185, 187, 189, 191, 193	815-089C	17	817-346C	153	822-083C	45
811-578C	183, 185, 187, 189, 191, 193	815-090C	17	817-347C	141, 143, 145, 147, 149, 151	822-095C	171, 173
811-579C	221, 223	815-094C	17	817-349C	141, 143, 147, 149	822-103C	67, 69, 71
811-580C	221, 223	816-007C	153	817-350C	47	822-117C	79, 85
811-582C	191, 193	816-012C	79, 85	817-423C	79, 83, 85	822-118C	79, 83, 85
811-585C	183, 185, 187, 189, 191, 193, 195	816-014C	219	817-504C	237	822-119C	89, 91, 93, 95, 97, 101, 103, 105, 107, 109, 111, 113, 115, 117, 119, 121, 123, 125, 127, 239
811-586C	183, 185, 187, 189, 191, 193	816-035C	17, 79, 83, 85	817-516C	33	822-126C	235
811-587C	183, 185, 187, 189, 191, 193	816-112C	237	817-688C	141, 143, 147, 149	822-170C	163, 165, 167, 169
811-589C	183, 185, 187, 189, 191, 193	816-113C	237	817-697C	141, 143, 147, 149	822-276C	83
811-590C	183, 185, 187, 189, 191, 193	816-138C	79, 85	817-704C	141, 143, 147, 149	823-059C	75
811-631C	183, 185, 187, 189, 191, 193	816-173C	155	817-806C	237	823-060C	75
811-632C	183, 187, 191	816-239C	141, 143, 147, 149	817-869C	161	823-076C	75
811-636C	191, 193	816-241C	79, 83, 85	817-897C	145, 151	823-175C	57
811-675C	181, 191, 193	816-242C	105	818-003C	213	823-185C	57
811-677C	183, 185, 187, 189	816-265C	17	818-019C	213	823-190C	57
811-695C	181	816-277C	37, 41	818-024C	213	833-492C	9
811-796C	183, 185, 187, 189, 191, 193	816-278C	41	818-045C	213	833-595C	77
811-826C	211	816-279C	45	818-055C	239	833-596C	77
811-827C	211	816-302C	145, 151	818-078C	213	833-679C	51
811-913C	211	816-306C	141, 143, 145, 147, 149, 151	818-207C	237	833-685C	51
811-914C	211	816-358C	235	818-229C	213	833-694C	51
811-915C	211	816-536C	141, 143, 147, 149	818-230C	213	833-696C	51
811-916C	211	816-747C	83	818-245C	237	833-697C	51
811-917C	211	816-748C	83	818-257C	213	838-092C	213
811-918C	211	817-004C	67, 69, 71	818-258C	213	838-102C	213
811-919C	211	817-008C	237	818-295C	47, 213	838-160C	213, 235
812-236C	141, 143, 145, 147, 149, 151	817-009C	237	818-296C	47, 213	838-161C	213, 235
812-366C	161	817-010C	237	818-337C	213	838-169C	213
		817-022C	173	818-339C	213	838-204C	213, 235
		817-023C	173	818-349C	213	838-229C	213
		817-025C	79, 85, 89, 91, 93, 95, 97, 101, 103, 107, 109, 111, 113, 115, 117, 119, 121, 123, 125, 127, 129, 235, 239	818-369C	213		
		817-026C	237	818-370C	213		
		817-042C	33	818-392C	47, 213		
		817-053C	45	818-398C	213		
		817-062C	171	818-402C	213		
		817-063C	171	818-412C	213		
		817-068C	67, 69, 71	818-414C	213		
				818-415C	213		



Part Number Index (continued)

Part Number	Page	Part Number	Page	Part Number	Page
838-237C	47, 213	dwg15460	105	dwg29468	149
838-265C	213	dwg15461	107	dwg29469	143
838-266C	213	dwg15462	121	dwg31230	61
838-267C	213	dwg15463	131	dwg31842	211
838-482C	33, 213	dwg15471	179	dwg32129	151
838-828C	213	dwg15475	199	dwg32130	145
841-077C	185, 189, 193	dwg15482	215	dwg34110	39
841-540C	211	dwg15483	221	dwg34220	77
841-541C	211	dwg15484	223	dwg36171	51
841-542C	211	dwg15702	197, 203, 205	dwg38986	175
841-543C	211	dwg15704	201, 227	dwg38990	83
841-687C	185	dwg15705	177, 225	PRPIL-10-K-25	207
85002333	209	dwg15713	229	VA-080002	75
85002946	191, 193	dwg16066	91	VA-253307	75
85020040	207	dwg16067	109	VA-JX-B76	75
851-310C	185, 189, 193	dwg16095	183	VA-JX-B77	75
890-005C	216	dwg16096	191	VA-VMM253501	75
890-018C	216	dwg16292	207		
890-026C	45	dwg16414	27		
890-183C	9	dwg16416	31		
890-190C	67, 71	dwg16418	35		
890-193C	19, 21	dwg16421	95		
890-221C	33	dwg16422	113		
890-305C	47	dwg16423	125		
890-308C	35	dwg16426	99		
890-311C	49	dwg16452	137		
890-312C	49	dwg16461	41		
890-313C	49	dwg16462	37		
890-321C	75	dwg16463	43		
890-349C	237	dwg16464	45		
890-350C	67, 69, 71	dwg16465	139		
890-430C	49	dwg16476	129		
890-466C	141, 143, 145, 147, 149, 151	dwg17023	101		
890-614C	219	dwg17024	117		
890-954C	93, 97, 103, 123, 127	dwg17026	187		
891-059C	107, 109, 111, 113, 115, 117, 119	dwg17027	209		
891-060C	111, 115, 119	dwg17277	181		
891-137C	79	dwg20095	235		
990-109R	19	dwg20096	239		
BO-47	219	dwg20107	237		
CP2-10	207	dwg21631	93		
dwg 15481	219	dwg21632	97		
dwg10249	133, 135	dwg21633	103		
dwg12024	233	dwg21634	111		
dwg14927	231	dwg21635	115		
dwg15437	9	dwg21636	119		
dwg15438	11	dwg21637	123		
dwg15439	13	dwg21638	127		
dwg15440	15	dwg22523	33		
dwg15441	17	dwg22965	185		
dwg15442	19	dwg22966	189		
dwg15443	21	dwg22967	193		
dwg15444	23	dwg22972	57		
dwg15445	25	dwg24414	53		
dwg15446	29	dwg24426	141		
dwg15448	47	dwg24427	147		
dwg15449	49	dwg24428	157		
dwg15450	59	dwg24429	155		
dwg15451	63	dwg24430	165		
dwg15452	65	dwg24431	167		
dwg15453	73	dwg24432	169		
dwg15454	67	dwg24433	171		
dwg15455	69	dwg24434	173		
dwg15456	71	dwg25317	55		
dwg15457	85	dwg26460	159		
dwg15458	79	dwg26464	213		
dwg15459	89	dwg27007	153		
		dwg27009	75		
		dwg27020	195		
		dwg27028	163		
		dwg27495	161		



Great Plains Mfg., Inc.
1525 E. North Street
Salina, Kansas 67401 USA

www.greatplainsmfg.com
