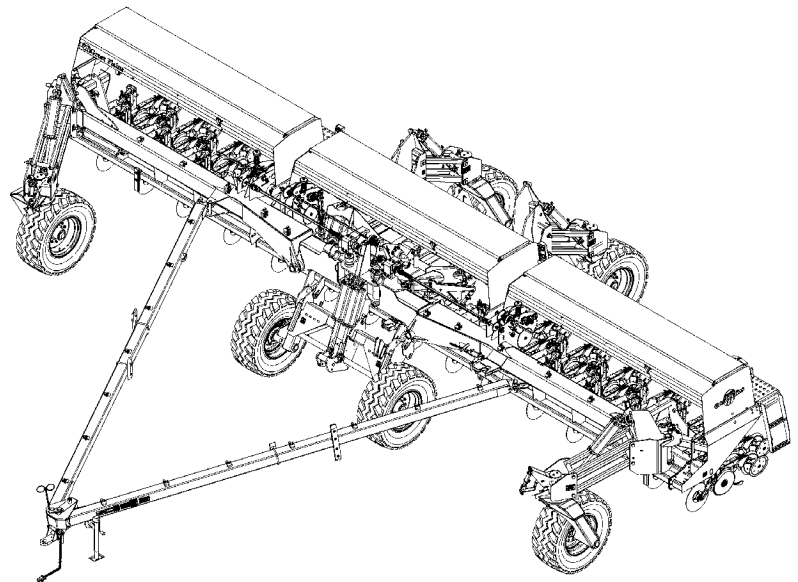


Parts Manual

40' Folding Drill
3S-4010HD & 3S-4010HDF



Read the Operator's manual entirely. When you see this symbol, the subsequent instructions and warnings are serious - follow without exception. Your life and the lives of others depend on it!



29121

Cover illustration may show optional equipment not supplied with standard unit.



Table of Contents

Section 1: Introduction.....	4	Center Section Small Seeds Drive.....	80
Using This Manual.....	4	RH & LH Fertilizer Drive.....	82
Manual Replacement Information.....	4	RH & LH Seeds Drive.....	84
Manual Revisions.....	4	RH & LH Small Seeds Drive.....	86
Touch-up Paint.....	4	Small Seeds Jackshaft.....	88
Hardware Legend.....	5	Openers.....	90
Replacement Hardware.....	5	HD10 Series Opener Arms & Mounts.....	90
Serial Numbers.....	5	HD10 Series Opener Body.....	92
Part Number Service Coding.....	5	HD10 & 25 Series Inside Scraper.....	94
Tongue.....	6	HD10 Series Seed-Lok (Option).....	96
Hitch to Frame.....	6	Coulter.....	98
Tongue to Wings.....	8	Coulter Blade Unit Mount.....	100
Wing to Center Frame.....	10	Fertilizer Hose Retainer.....	102
Lights and Harness.....	12	Seed Firmer.....	104
Box to Frame.....	14	Small Seeds Seed Tube.....	106
Box to Frame.....	14	Press Wheels.....	108
Lid To Fertilizer Box.....	16	HD10 1" x 12" Double "V" Press Wheel.....	108
Fertilizer Box Dividers.....	18	HD10 1 1/4" x 13 1/2" Double Press Wheel.....	110
Fertilizer Spill Flap (175-190S).....	20	HD10 2" x 13" Single Press Wheel.....	112
Fertilizer Tray to Box.....	22	HD10 3" x 13" Single Press Wheel.....	114
Fertilizer Tray.....	24	Hydraulics.....	116
Seed / Fertilizer Flap (175-191S).....	26	Lift and Fold Hydraulics.....	116
Small Seeds Box Mounting.....	28	Lock Cylinder Hydraulics.....	118
Small Seeds Box Components.....	30	Stroke Control Valve (810-503C).....	120
Seed Box Only.....	32	Hydraulic Cylinder (810-201C 1.5x2.5x.75 Rod).....	122
Walkboard.....	34	Hydraulic Cylinder (810-496C 5x16x1.5 Rod).....	124
Seed Level Indicator.....	36	Hydraulic Cylinder (810-497C 4.75x16x1.5 Rod).....	126
Weight Bracket (Option).....	38	Hydraulic Cylinder (810-498C 4.5x16x1.5 Rod).....	128
Wing Frame Extension Mount.....	40	Hydraulic Cylinder (810-499C 5x24x2 Rod).....	130
Feeder Cup Trays.....	42	Hydraulic Cylinder (810-500C 5x20x2 Rod).....	132
7.5" LH Feeder Cup Spacing.....	42	Hydraulic Cylinder (810-555C 1.5x2.5x.75 Rod).....	134
7.5" RH Feeder Cup Spacing.....	44	Monitor.....	136
7.5" CTR Section Feeder Cup Spacing.....	46	Point Row.....	136
10" CTR and LH Feeder Cup Spacing.....	48	Decals.....	138
10" RH Feeder Cup Spacing.....	50	Decals.....	138
Seed Rate Adjustment Handle (118-881S).....	52	Marker.....	140
Loup Shaft Monitor (2 Channel 116-282A) (3 Channel 116-283A).....	54	Marker Arm.....	140
Rockshaft.....	56	Marker Disk and Hub (113-790S).....	142
Rockshaft to Frame.....	56	LH Marker Hydraulics.....	144
Rockshaft.....	58	Dual Marker Hydraulics.....	146
Gauge Wheel.....	62	Hydraulic Cylinder (810-423C 3x24x1.5 Rod).....	148
Gauge Wheel Striker Plate.....	66	Sequence Valve (810-422C).....	150
Rear Axle Assembly.....	68	Part Number Index.....	152
Drive.....	71		
Rockshaft Ground Drive.....	72		
Drive.....	74		
Center Section Fertilizer Drive.....	76		
Center Section Seeds Drive.....	78		

© Copyright 2017 All rights reserved Printed 05/16/17

Great Plains Manufacturing, Inc. provides this publication "as is" without warranty of any kind, either expressed or implied. While every precaution has been taken in the preparation of this manual, Great Plains Manufacturing, Inc. assumes no responsibility for errors or omissions. Neither is any liability assumed for damages resulting from the use of the information contained herein. Great Plains Manufacturing, Inc. reserves the right to revise and improve its products as it sees fit. This publication describes the state of this product at the time of its publication, and may not reflect the product in the future.

Great Plains Manufacturing, Incorporated Trademarks

The following are trademarks of Great Plains Mfg., Inc.: Application Systems, Ausherman, Land Pride, Great Plains

All other brands and product names are trademarks or registered trademarks of their respective holders.

Printed in the United States of America.



Alphabetized Table of Contents

Selected Models

1	
10" CTR and LH Feeder Cup Spacing.....	48
10" RH Feeder Cup Spacing.....	50
7	
7.5" CTR Section Feeder Cup Spacing.....	46
7.5" LH Feeder Cup Spacing.....	42
7.5" RH Feeder Cup Spacing.....	44
B	
Box to Frame.....	14
C	
Center Section Fertilizer Drive.....	76
Center Section Seeds Drive.....	78
Center Section Small Seeds Drive.....	80
Coulter.....	98
Coulter Blade Unit Mount.....	100
D	
Decals.....	138
Drive.....	74
Dual Marker Hydraulics.....	146
F	
Fertilizer Box Dividers.....	18
Fertilizer Hose Retainer.....	102
Fertilizer Spill Flap (175-190S).....	20
Fertilizer Tray.....	24
Fertilizer Tray to Box.....	22
G	
Gauge Wheel.....	62
Gauge Wheel Striker Plate.....	66
H	
HD10 & 25 Series Inside Scraper.....	94
HD10 1 1/4" x 13 1/2" Double Press Wheel.....	110
HD10 1" x 12" Double "V" Press Wheel.....	108
HD10 2" x 13" Single Press Wheel.....	112
HD10 3" x 13" Single Press Wheel.....	114
HD10 Series Opener Arms & Mounts.....	90
HD10 Series Opener Body.....	92
HD10 Series Seed-Lok (Option).....	96
Hitch to Frame.....	6
Hydraulic Cylinder (810-201C 1.5x2.5x.75 Rod).....	122
Hydraulic Cylinder (810-423C 3x24x1.5 Rod).....	148
Hydraulic Cylinder (810-496C 5x16x1.5 Rod).....	124
Hydraulic Cylinder (810-497C 4.75x16x1.5 Rod).....	126
Hydraulic Cylinder (810-498C 4.5x16x1.5 Rod).....	128
Hydraulic Cylinder (810-499C 5x24x2 Rod).....	130
Hydraulic Cylinder (810-500C 5x20x2 Rod).....	132
Hydraulic Cylinder (810-555C 1.5x2.5x.75 Rod).....	134

L	
LH Marker Hydraulics.....	144
Lid To Fertilizer Box.....	16
Lift and Fold Hydraulics.....	116
Lights and Harness.....	12
Lock Cylinder Hydraulics.....	118
Loup Shaft Monitor (2 Channel 116-282A) (3 Channel 116-283A).....	54
M	
Marker Arm.....	140
Marker Disk and Hub (113-790S).....	142
P	
Point Row.....	136
R	
Rear Axle Assembly.....	68
RH & LH Fertilizer Drive.....	82
RH & LH Seeds Drive.....	84
RH & LH Small Seeds Drive.....	86
Rockshaft.....	58
Rockshaft Ground Drive.....	72
Rockshaft to Frame.....	56
S	
Seed / Fertilizer Flap (175-191S).....	26
Seed Box Only.....	32
Seed Firmer.....	104
Seed Level Indicator.....	36
Seed Rate Adjustment Handle (118-881S).....	52
Sequence Valve (810-422C).....	150
Small Seeds Box Components.....	30
Small Seeds Box Mounting.....	28
Small Seeds Jackshaft.....	88
Small Seeds Seed Tube.....	106
Stroke Control Valve (810-503C).....	120
T	
Tongue to Wings.....	8
W	
Walkboard.....	34
Weight Bracket (Option).....	38
Wing Frame Extension Mount.....	40
Wing to Center Frame.....	10



General Information

Using This Manual

This manual is divided into sections. The first section contains General Information, a Table of Contents, an Alphabetical Page Index, and a Part Number Index. The remaining sections divide the machine into segments (i.e. Frames, Drives, Hydraulics, etc.) which illustrate and list all parts.

The Great Plains parts in this manual are specially designed for this machine and should be replaced with Great Plains parts only.

The information in this manual is current at printing. Some parts may change to assure top performance.

Right-hand and left-hand as used in this manual are determined by facing the direction the machine will travel while in use.

Below is an example of two facing pages from a parts manual. Familiarize yourself with the contents of these pages.

Manual Replacement Information

Replacement manuals are available. Refer to your dealer or the Great Plains Publications Catalog for additional information.

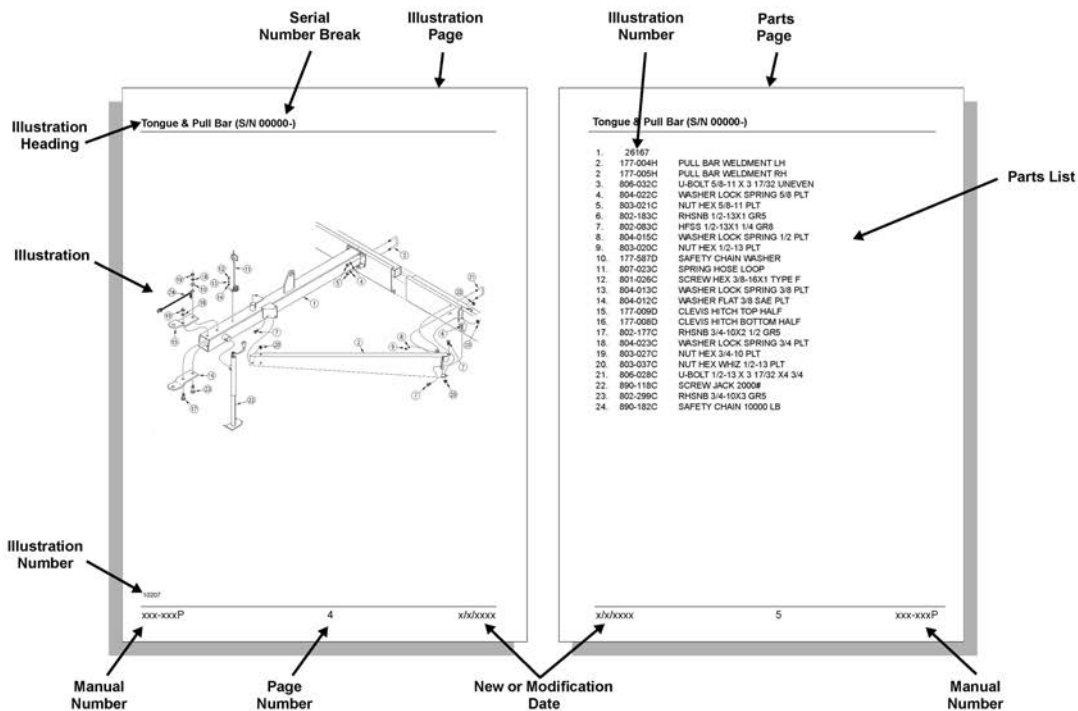
Manual Revisions

When this manual is revised, the modification date is printed on the front cover and on the revised page(s).

Touch-up Paint

Repaint parts where paint is worn or scratched to prevent rust. Aerosol touch-up paint is available. To order use Great Plains parts numbers below:

GP Green	821-001C
GP Black	821-002C
GP Beige	821-003C
GP Buckskin	821-004C



Hardware Legend

AR	As Required
BLADE	Blade Bolt
C	Cap Screw
CP	Cotter Pin
CPHSSS	Cup Point Hex Socket Set Screw
CPSHSS	Cup Point Square Head Set Screw
CPSQHSS	Cup Point Square Head Set Screw
CRFCHMS	Cross Recess Flat Countersunk Head Mach. Screw
CRPHMS	Cross Recess Pan Head Machine Screw
CRPHTFS	Cross Recess Pan Head Thread Forming
CRRHMS	Cross Recess Round Head Machine Screw
CRTHMS	Cross Recess Truss Head Machine Screw
CSNB	Countersunk Square Neck Bolt
FHMS	Flat Head Machine Screw
FTC	Full Thread Cap Screw
H	Hex Nut
HCLN	Hex Center Lock Nut
HFLCS	Hex Flange Lock Cap Screw
HFS	Hex Flange Screw
HFSLN	Hex Flange Serrated Lock Nut
HFSS	Hex Flange Serrated Screw
HHCS	Hex Head Cap Screw or Metric Bolt
HSBHCS	Hex Socket Button Head Cap Screw
HSFCHCS	Hex Socket Flat Countersunk Head Cap Screw
HSHCS	Hex Socket Head Cap Screw
HSSS	Hex Socket Head Screw
HTLN	Hex Top Lock Nut
HWHCS	Hex Washer Head Cap Screw

HWHMS	Hex Washer Head Machine Screw
HXBHCS	Hex Socket Button Head Cap Screw
J	Hex Jam Nut
JIC	37 Degree Tapered Thread
L	Helical Spring Lock Washer
LUG	Lug Bolt
NFC	National Fine Cap Screw
NPSM	National Pipe Straight Mechanical
NPTF	National Pipe Taper Fuel
P	Wide Plain Washer
PHMS	Pan Head Machine Screw
PLOW	Plow Bolt
RHMS	Round Head Machine Screw
RHSNB	Round Head Square Neck Bolt
SCREW LEVELING	Leveling Screw
SCREW THUMB	Thumb Screw
SCREW WELD	Weld Screw
SFCHMS	Slotted Flat Countersunk Head Machine Screw
SFHMS	Slotted Fillister Head Machine Screw
SP	Special
SP SCREW	Special Screw
SQHSS	Square Head Set Screw
SRHMS	Slotted Round Head Machine Screw
SSS	Socket Set Screw
STCS	Self Tapping Cap Screw
STHMS	Slotted Truss Head Machine Screw
WHEEL	Wheel Studs and Hub Long Bolts
WING	Wing Bolt

Replacement Hardware

The **Hardware Legend** above lists hardware abbreviations used in the parts lists. All bolts and nuts are grade 5 unless otherwise noted. The use of improper grades of hardware can result in personal injury, damage to equipment, or loss of property.

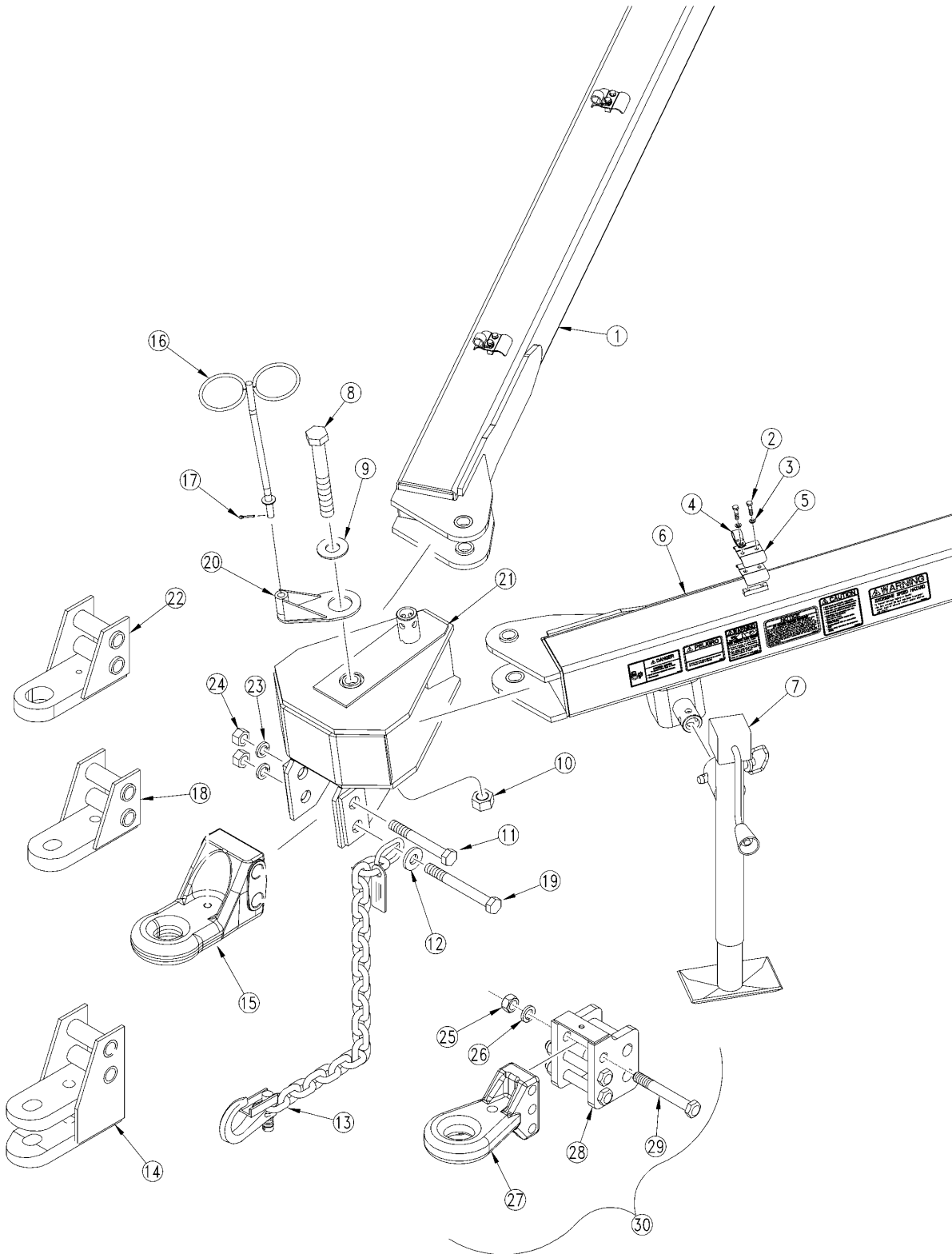
Serial Numbers

Always use the serial and model number when ordering parts. Refer to the operator's manual for serial number plate location.

- | | |
|--|--|
| (S/N 20001+ or
S/N 20001 and above) | Includes serial numbers 20001 and above (to the latest number) |
| (S/N 10001+→20000) | Includes serial numbers between 10000 and 20001 |
| (S/N 10000- or
S/N 10000 and below) | Includes serial numbers 10000 and below (to the earliest number) |

Hitch to Frame

(Applies to 3S-4010HD, 3S-4010HDF only)



29000

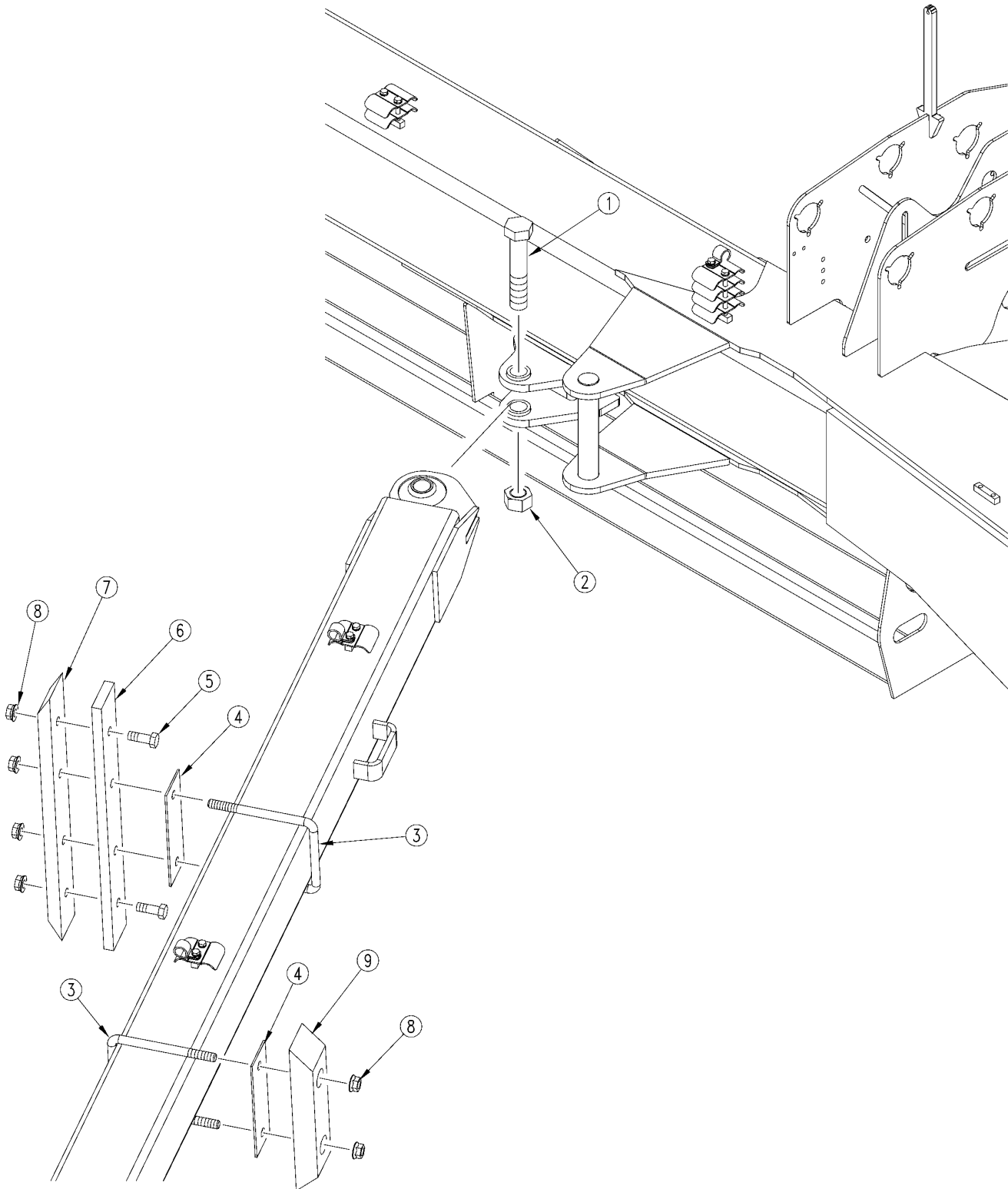
Hitch to Frame

(Applies to 3S-4010HD, 3S-4010HDF only)

Ref	Part No.	Part Description	Comments	Revision
	dwg29000	Image No.		
1.	196-516H	3S40HD TONGUE RH PULLBAR WLDMT		
2.	802-010C	HHCS 5/16-18X1 1/4 GR5		
3.	804-009C	WASHER LOCK SPRING 5/16 PLT		
4.	800-064C	HOSE CLIP 13/16 ID		
5.	502-068D	HYD HOSE CLAMP BRACKET		
6.	196-517H	3S40HD TONGUE LH PULLBAR WLDMT		
7.	890-246C	SCREW JACK 5000# 15-30 SD-WND		
8.	802-543C	HHCS 1 1/4-7X10 GR5 SPTH		
9.	804-035C	WASHER FLAT 1 1/4 USS PLT		
10.	803-081C	NUT HEX 1 1/4-7 NYLON INSERT		
11.	802-166C	HHCS 1 1/4-7X9 1/2 GR5 SPTH		
12.	194-070D	SAFETY CHAIN WASHER		
13.	890-398C	SAFETY CHAIN 40000 LB		
14.	196-136H	CLEVIS HITCH WELDMENT		
15.	170-201D	CASTING LARGE HITCH STRAP		
16.	196-166H	SWIVEL HOSE POST		
17.	805-069C	PIN COTTER 3/16 X 1		
18.	170-034H	SINGLE HITCH STRAP-SMALL		
19.	802-317C	HHCS 1 1/4-7X11 GR5 SPTH		
20.	196-370H	HOSE POST BASE, 40P		
21.	196-420H	HITCH PIVOT MOUNT WLDMT		
22.	170-033H	SINGLE HITCH STRAP-LARGE		
23.	804-030C	WASHER LOCK 1 1/4 SPRING PLT		
24.	803-034C	NUT HEX 1 1/4-7 PLT		
25.	803-031C	NUT HEX 1-8 PLT		
26.	804-027C	WASHER LOCK SPRING 1 PLT		
27.	891-210C	CAT 5 PERFECT HITCH		
28.	170-071H	CAT 4 TO CAT 5 HITCH ADAPTER		
29.	802-144C	HHCS 1-8X7 1/2 GR5		
30.	170-072A	CAT V HITCH ADAPTER KIT	Includes items: 25-29	

Tongue to Wings

(Applies to 3S-4010HD, 3S-4010HDF only)



29002

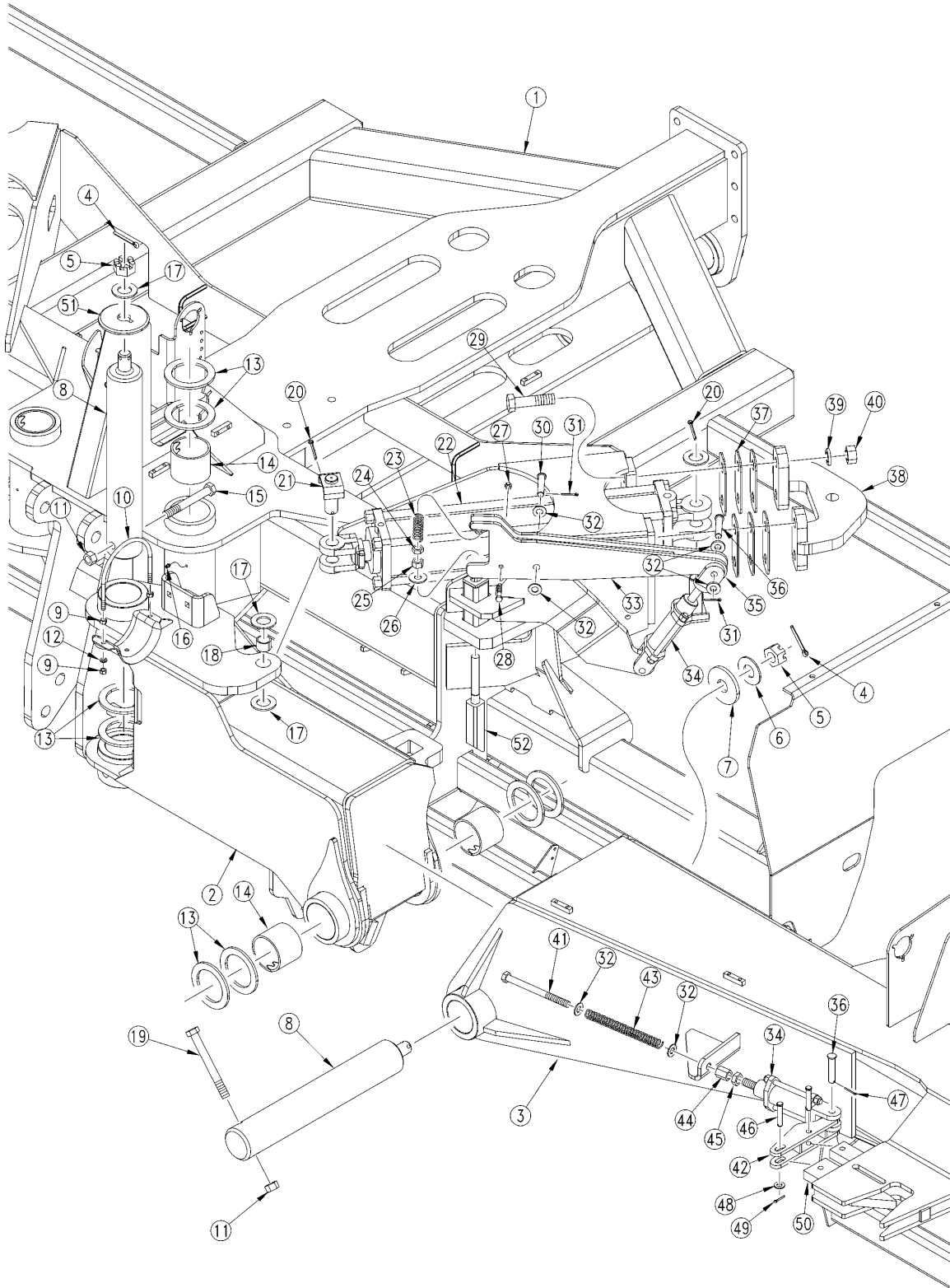
Tongue to Wings

(Applies to 3S-4010HD, 3S-4010HDF only)

Ref	Part No.	Part Description	Comments	Revision
	dwg29002	Image No.		
1.	802-717C	HHCS 1 1/4-7X 6 1/2 GR5 PLT		
2.	803-081C	NUT HEX 1 1/4-7 NYLON INSERT		
3.	806-039C	U-BOLT 5/8-11 X 6 1/32 X 7 3/4		
4.	196-842D	SLIDER BLOCK ADJUST SHIM		
5.	802-053C	HHCS 5/8-11X1 3/4 GR5		
6.	196-853D	3N-40 TONGUE BLOCK SUPT BAR		
7.	817-542C	OUTSIDE TONGUE SKID BLOCK		
8.	803-196C	NUT HEX FLANGE 5/8-11 PLT		
9.	817-520C	TONGUE SPACER SKID BLOCK		

Wing to Center Frame

(Applies to 3S-4010HD, 3S-4010HDF only)



29011

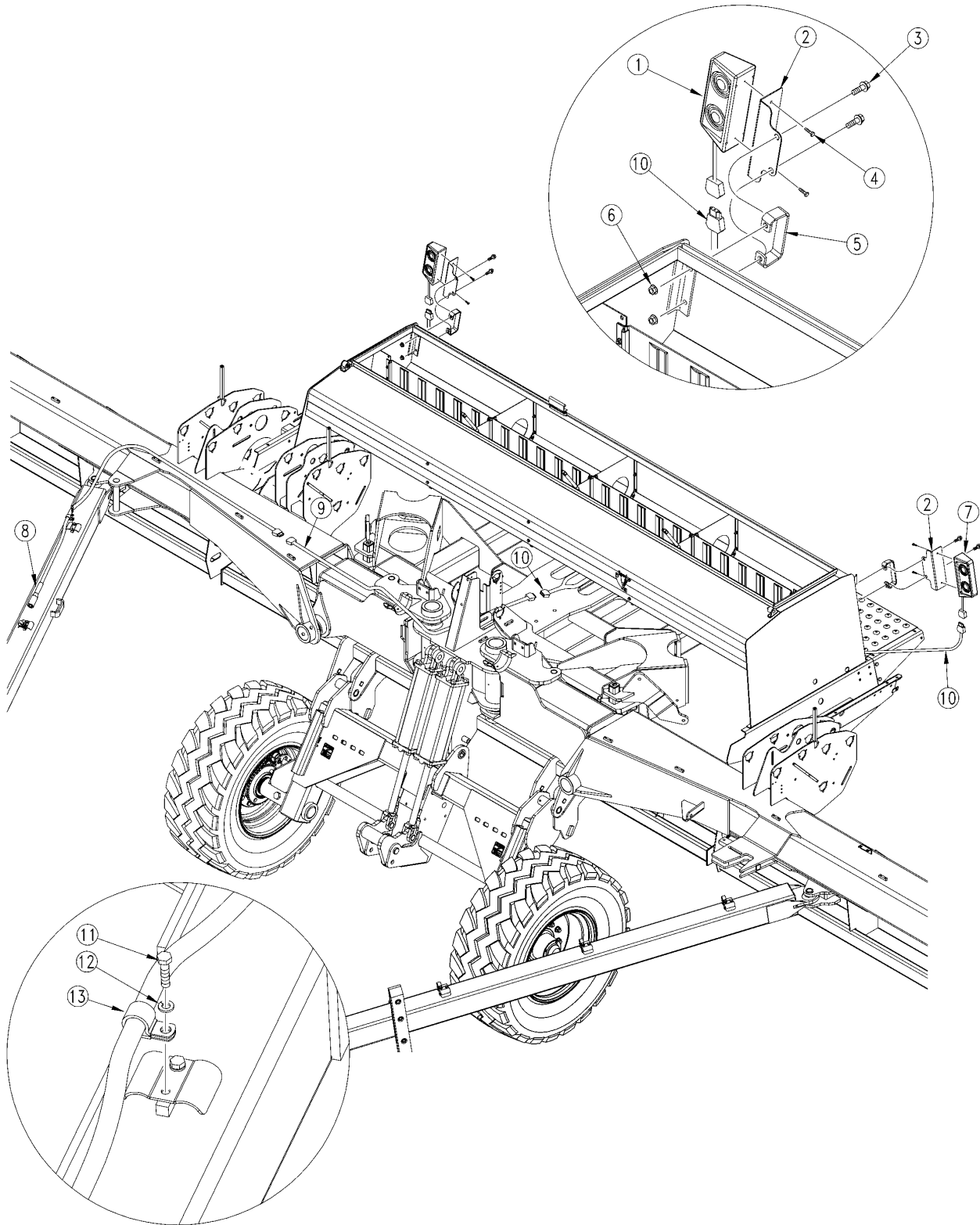
Wing to Center Frame

(Applies to 3S-4010HD, 3S-4010HDF only)

Ref	Part No.	Part Description	Comments	Revision
	dwg29011	Image No.		
1.	196-480H	3N40HD CENTER FRAME WELDMENT		
2.	196-349H	40P LH TOOLBAR WELDMENT	Shown	
2.	196-350H	40P RH TOOLBAR WELDMENT		
3.	196-476H	3N40HD LH WING FRAME WELDMENT	Shown	
3.	196-478H	3N40HD RH WING FRAME WELDMENT		
4.	805-085C	PIN COTTER 5/16 X 2 1/2		
5.	803-079C	NUT HEX SLOTTED 1 1/4 - 7		
6.	804-035C	WASHER FLAT 1 1/4 USS PLT		
7.	197-001D	BOX HINGE PIVOT WASHER		
8.	196-652D	40P TOOLBAR PIVOT PIN		
9.	803-014C	NUT HEX 3/8-16 PLT		
10.	806-194C	U-BOLT 3/8-16X 6.13 X 6.25 RND		
11.	803-026C	NUT LOCK 3/4-10 PLT		
12.	804-013C	WASHER LOCK SPRING 3/8 PLT		
13.	196-775D	SPACER WASHER		
14.	890-800C	BUSHING 4.0X3.5X3.0 LONG SPLIT		
15.	802-070C	HHCS 3/4-10X6 GR5		
16.	800-001C	GREASE ZERK STRAIGHT 1/4-28		
17.	804-039C	WASHER FLAT 1 1/4 SAE PLT		
18.	890-011C	BUSHING SPINDLE 1 1/2X1 1/4X1		
19.	802-095C	HHCS 3/4-10X7 GR5		
20.	805-105C	PIN COTTER 1/4 X 2 1/2 PLT		
21.	196-409H	CYL PIN NR 1.25X3.09X2.63 W/GR		
22.	810-499C	CYL REP 5X24X2 ROD (TIE)		
23.	807-007C	SPRING LEVER		
24.	803-048C	NUT HEX JAM 3/4-10 PLT		
25.	803-027C	NUT HEX 3/4-10 PLT		
26.	804-024C	WASHER FLAT 3/4 USS PLT		
27.	803-013C	NUT LOCK 3/8-16 PLT		
28.	802-382C	HHCS 3/8-16X2 1/4 GR5		
29.	802-073C	HHCS 1-8X4 GR5		
30.	805-141C	PIN CLEVIS 5/8 X 2 1/2 PLT		
31.	805-045C	PIN COTTER 5/32 X 1 1/4 LG		
32.	804-021C	WASHER FLAT 5/8 SAE PLT		
33.	196-377H	TOOLB LOCK ARM WELDM		
34.	810-201C	CYL 1.5X2.5X.75 ROD (TIE ROD)		
35.	810-491C	MIDWAY ROD CLEVIS 3/4-16 UNF		
36.	805-028C	PIN CLEVIS 5/8 X 2.77 USALBE		
37.	196-777D	FOLD CYL ADJUSTMENT SHIM		
38.	196-344H	FOLD CYLINDER BASE LUG WLDMNT		
39.	804-027C	WASHER LOCK SPRING 1 PLT		
40.	803-031C	NUT HEX 1-8 PLT		
41.	802-146C	HHCS 5/8-11X7 1/2 GR5		
42.	196-048H	LOCK ARM WELDMENT		
43.	807-128C	SPRING COMP .906OD X 9 X .105W		
44.	196-149D	ADAPTOR NUT 3/4-16 X 5/8-11		
45.	803-235C	NUT HEX JAM 3/4-16 UNF PLT		
46.	805-192C	PIN CLEVIS 1/2 X 2 1/2 PLT		
47.	805-109C	PIN COTTER 1/8 X 1 1/4 PLT		
48.	804-016C	WASHER FLAT 1/2 SAE PLT		
49.	805-019C	PIN COTTER 5/32 X 1 PLT		
50.	196-766D	TRANSPORT LOCK LATCH BAR		
51.	196-774D	PIVOT PIN RETAINER WASHER		
52.	196-896D	TOOLBAR LOCK BAR		

Lights and Harness

(Applies to 3S-4010HD, 3S-4010HDF only)



29014

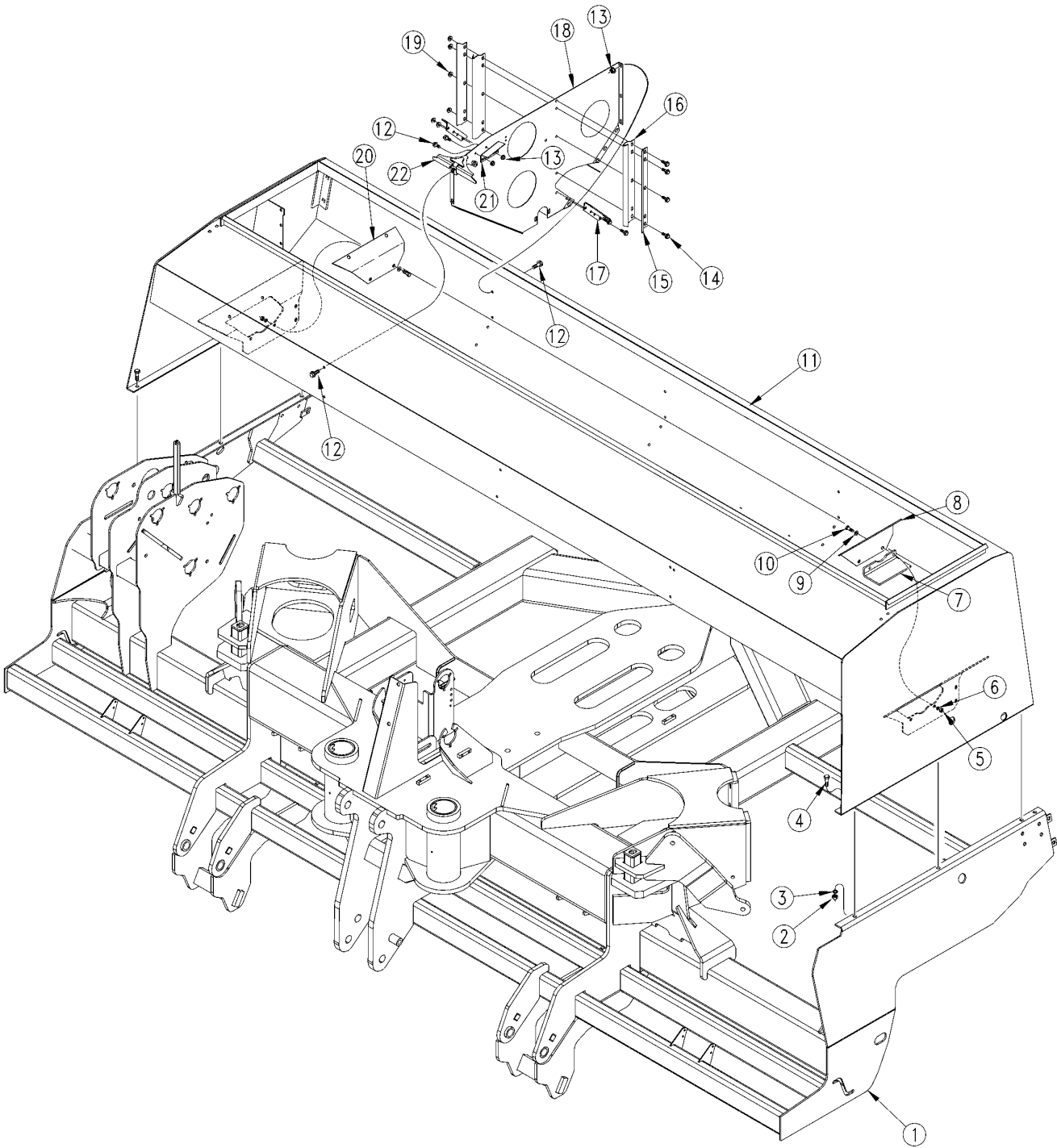
Lights and Harness

(Applies to 3S-4010HD, 3S-4010HDF only)

Ref	Part No.	Part Description	Comments	Revision
	dwg29014	Image No.		
1.	890-312C	DUAL AG LIGHTS RH		
2.	150-138D	12' EWNT LIGHT BRACKET		
3.	802-203C	HFSS 1/2-13X1 1/2 GR5		
4.	801-151C	SCR HEX SELF TAP 1/4-20X1TYPEF		
5.	119-190D	HANDLE		
6.	803-169C	NUT HEX FLG. LOCK 1/2-13 PLT.		
7.	890-311C	DUAL AG LIGHTS LH		
8.	890-313C	AG LIGHT WIRING HARNESS-28'		
9.	890-600C	AG LIGHT HARNESS, EXT-15'		
10.	890-390C	LIGHT HARNESS, 10' WISHBONE		
11.	802-010C	HHCS 5/16-18X1 1/4 GR5		
12.	804-009C	WASHER LOCK SPRING 5/16 PLT		
13.	800-064C	HOSE CLIP 13/16 ID		

Box to Frame

(Applies to 3S-4010HD, 3S-4010HDF only)



29097

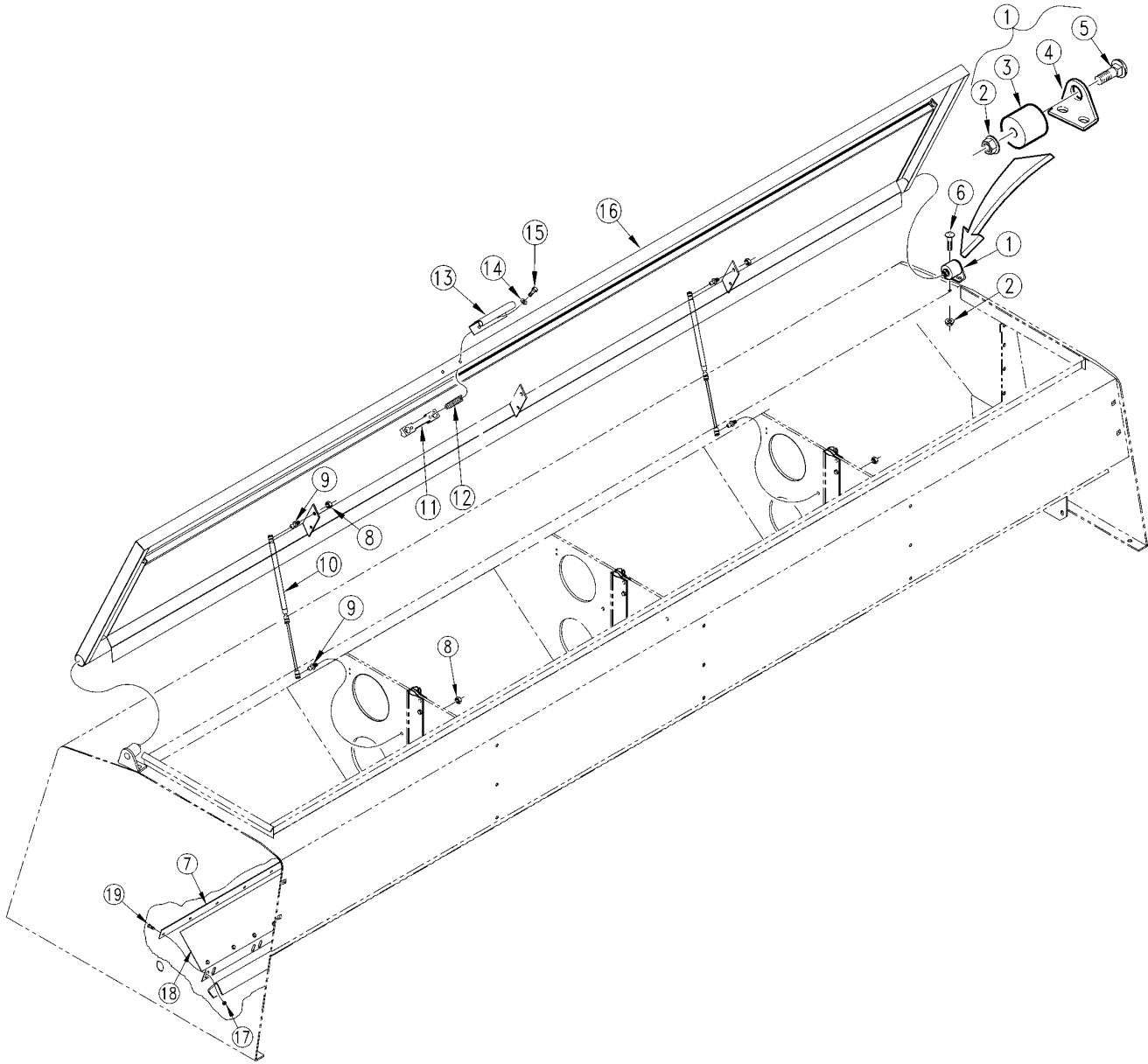
Box to Frame

(Applies to 3S-4010HD, 3S-4010HDF only)

Ref	Part No.	Part Description	Comments	Revision
	dwg29097	Image No.		
1.	196-480H	3N40HD CENTER FRAME WELDMENT	shown	
1.	196-476H	3N40HD LH WING FRAME WELDMENT		
1.	196-478H	3N40HD RH WING FRAME WELDMENT		
2.	803-020C	NUT HEX 1/2-13 PLT		
3.	804-015C	WASHER LOCK SPRING 1/2 PLT		
4.	802-034C	HHCS 1/2-13X1 1/4 GR5		
5.	803-014C	NUT HEX 3/8-16 PLT		
6.	804-013C	WASHER LOCK SPRING 3/8 PLT		
7.	148-613D	BOX SUPPORT ANGLE		
8.	195-101D	INTERIOR ENDPANEL COVER LH		
9.	804-011C	WASHER FLAT 3/8 USS PLT		
10.	802-079C	HHCS 3/8-16X1 1/4 GR5		
11.	175-219H	2600 SEED BOX		
12.	802-387C	HFS 5/16-18X3/4 GR5		
13.	803-199C	NUT HEX FLANGE 5/16-18 PLT		
14.	802-442C	HFSS 5/16-18X1 1/4		
15.	195-207D	DIVIDER CLIP OUTER		
16.	195-206D	DIVIDER CLIP INNER		
17.	195-205D	DIVIDER ANGLE BRACKET		
18.	195-100D	3S BOX PARTITION		
19.	803-177C	NUT HEX FLG TP LK 5/16-18ZNYCR		
20.	195-102D	INTERIOR ENDPANEL COVER RH		
21.	175-358D	1300 BOX SUPPORT PLATE		
22.	197-186H	3.2 BOX PANEL SUPPORT WELDMENT		

Lid To Fertilizer Box

(Applies to 3S-4010HD, 3S-4010HDF only)



19312

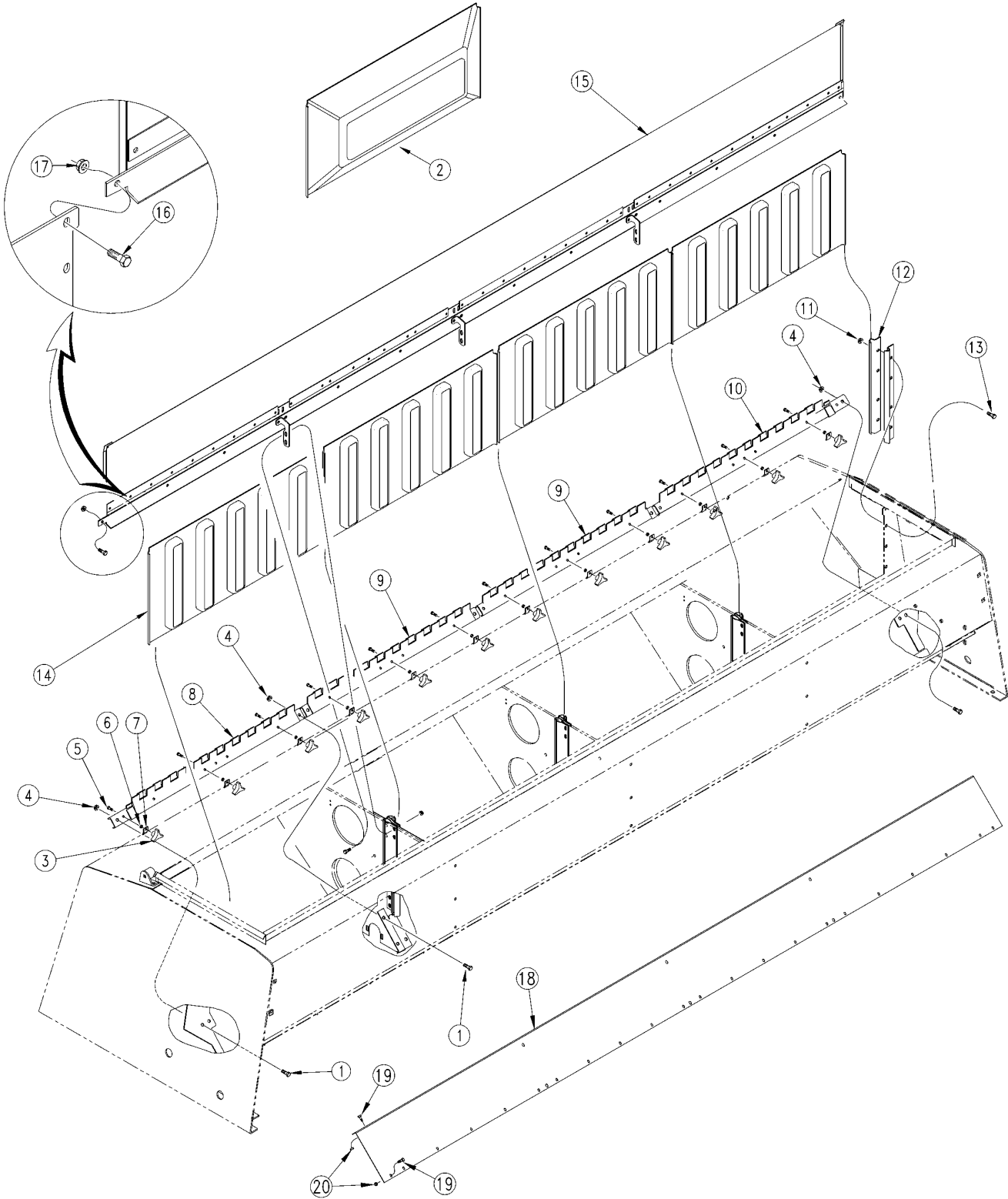
Lid To Fertilizer Box

(Applies to 3S-4010HD, 3S-4010HDF only)

Ref	Part No.	Part Description	Comments	Revision
	dwg19312	Image No.		
1.	175-180S	13' EW LID HINGE ASSEMBLY		
2.	803-209C	NUT FLANGE LOCK 3/8-16 PLT		
3.	313-186D	LID HINGE PIVOT		
4.	313-176D	LID HINGE BASE PLATE		
5.	802-411C	RHSNB 3/8-16X2 GR5		
6.	802-015C	RHSNB 3/8-16X1 GR5		
7.	175-327D	1300 HINGE CLAMP STRIP END		
7.	195-197D	HINGE CLAMP STRIP CTR		
8.	803-011C	NUT LOCK 5/16-18 PLT		
9.	800-121C	BALL STUD 10MM X 5/16-18 UNC		
10.	890-308C	9 1/4-15 X 70LB GAS SPRING	Used with Fertilizer Drills	
10.	890-221C	12-20 x 90 LB GAS SPRING	Used with Grain only	
11.	817-805C	LID LATCH		
12.	807-106C	SPRING .540 O.D.X 1 1/4 X.054W		
13.	119-154D	LID HANDLE		
14.	804-036C	WASHER FLAT 5/16 SAE PLT		
15.	802-425C	HHCS 5/16-18X1 1/4 NYL		
16.	175-146H	13' EW SEED BOX LID		
17.	803-088C	NUT HEX LOCK 1/4-20 FLG		
18.	195-177S	SEED/FERT FLAP SUBASSY		
19.	802-375C	HFSS 1/4-20X1 GR5		

Fertilizer Box Dividers

(Applies to 3S-4010HD, 3S-4010HDF only)



19314

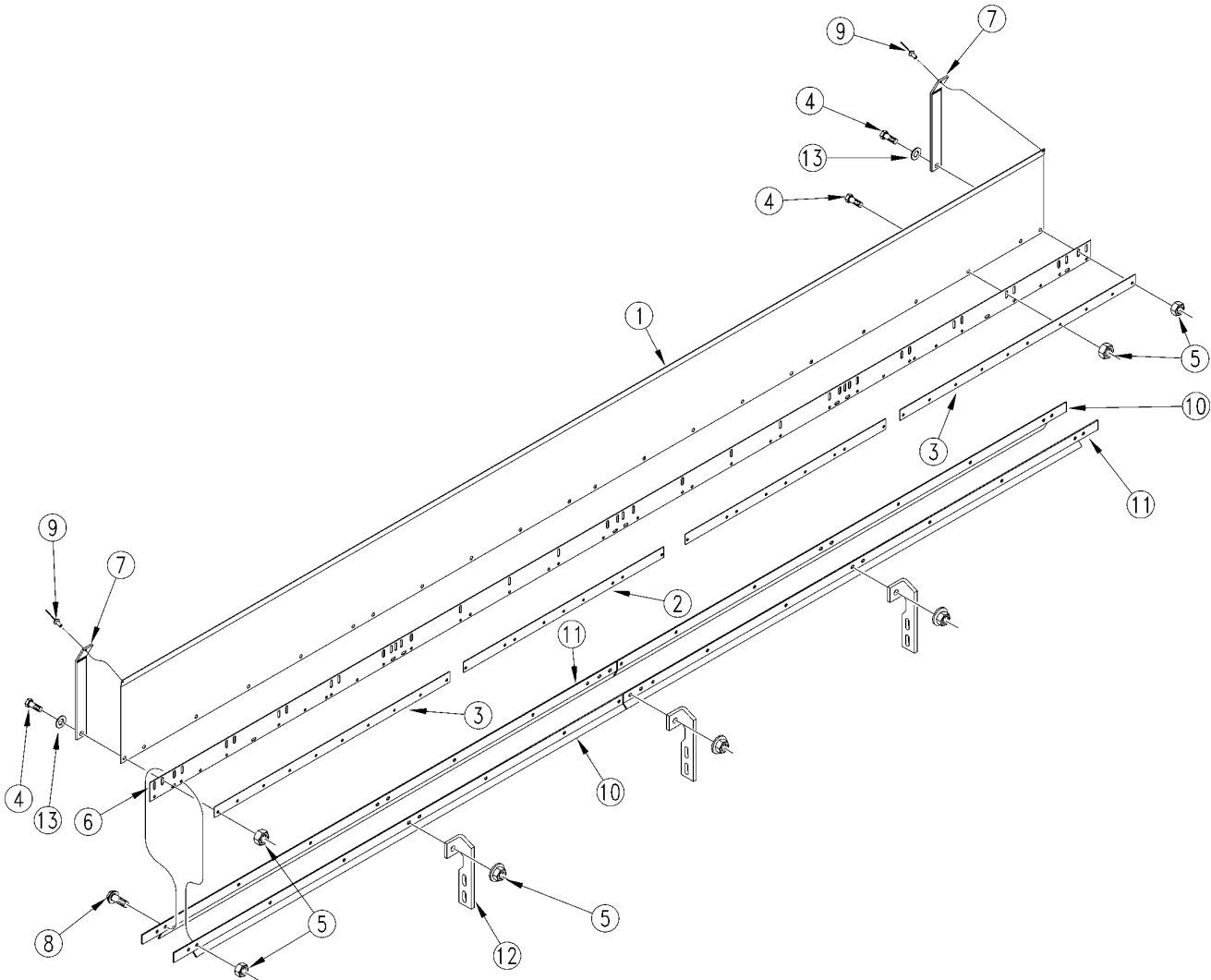
Fertilizer Box Dividers

(Applies to 3S-4010HD, 3S-4010HDF only)

Ref	Part No.	Part Description	Comments	Revision
	dwg19314	Image No.		
1.	802-017C	HHCS 3/8-16X1 GR5		
2.	817-322C	DIVIDER INSERT 33 X 4.5 OFFSET		
3.	817-324C	KNOB 1/4-20 FEMALE THD		
4.	803-209C	NUT FLANGE LOCK 3/8-16 PLT		
5.	802-005C	HHCS 1/4-20X1 GR5		
6.	803-007C	NUT-LOCK 1/4-20 PLT		
7.	195-208D	RETAINER CLIP		
8.	195-182H	DIVIDER BOTTOM BRACKET LH		
9.	195-181H	DIVIDER BOTTOM BRACKET CTR		
10.	195-183H	DIVIDER BOTTOM BRACKET RH		
11.	803-199C	NUT HEX FLANGE 5/16-18 PLT		
12.	195-194D	DIVIDER CLIP, END MOUNTED		
13.	802-387C	HFS 5/16-18X3/4 GR5		
14.	817-321C	DIVIDER INSERT 33 X NO OFFSET		
15.	175-190S	1300 SPILL FLAP SUB ASSEMBLY		
16.	802-375C	HFSS 1/4-20X1 GR5		
17.	803-088C	NUT HEX LOCK 1/4-20 FLG		
18.	175-289D	13' EW FERTILIZER CAP PLATE		
19.	802-196C	HFSS 1/4-20X5/8 GR5		
20.	803-088C	NUT HEX LOCK 1/4-20 FLG		

Fertilizer Spill Flap (175-190S)

(Applies to 3S-4010HD, 3S-4010HDF only)



16579

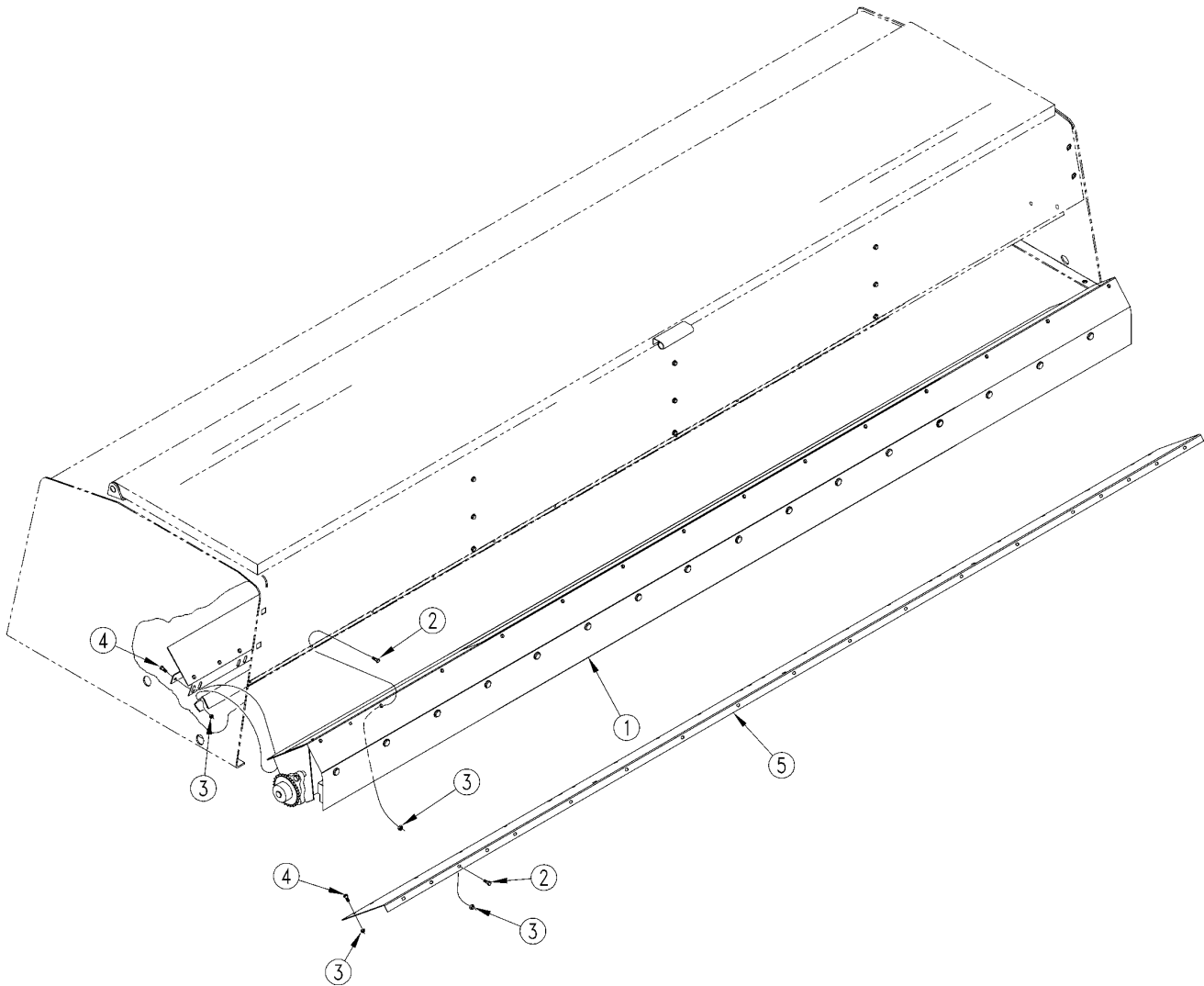
Fertilizer Spill Flap (175-190S)

(Applies to 3S-4010HD, 3S-4010HDF only)

Ref	Part No.	Part Description	Comments	Revision
	dwg16579	Image No.		
1.	175-331D	1300 SPILL FLAP		
2.	195-197D	HINGE CLAMP STRIP CTR		
3.	175-327D	1300 HINGE CLAMP STRIP END		
4.	802-078C	HHCS 1/4-20X5/8 GR5		
5.	803-088C	NUT HEX LOCK 1/4-20 FLG		
6.	816-291C	RUBBER BELTING HINGE 13 EW		
7.	816-278C	RUBBER BELTING SEAL STRIP		
8.	802-375C	HFSS 1/4-20X1 GR5		
9.	800-012C	RIVET SS 1/8 DIA		
10.	175-325D	1300 DIVIDER CLAMP ANGLE SHORT		
11.	175-326D	1300 DIVIDER CLAMP ANGLE LONG		
12.	195-192D	TOP BAR PARTITION BRACE		
13.	804-007C	WASHER FLAT 1/4 SAE PLT		

Fertilizer Tray to Box

(Applies to 3S-4010HD, 3S-4010HDF only)



29326

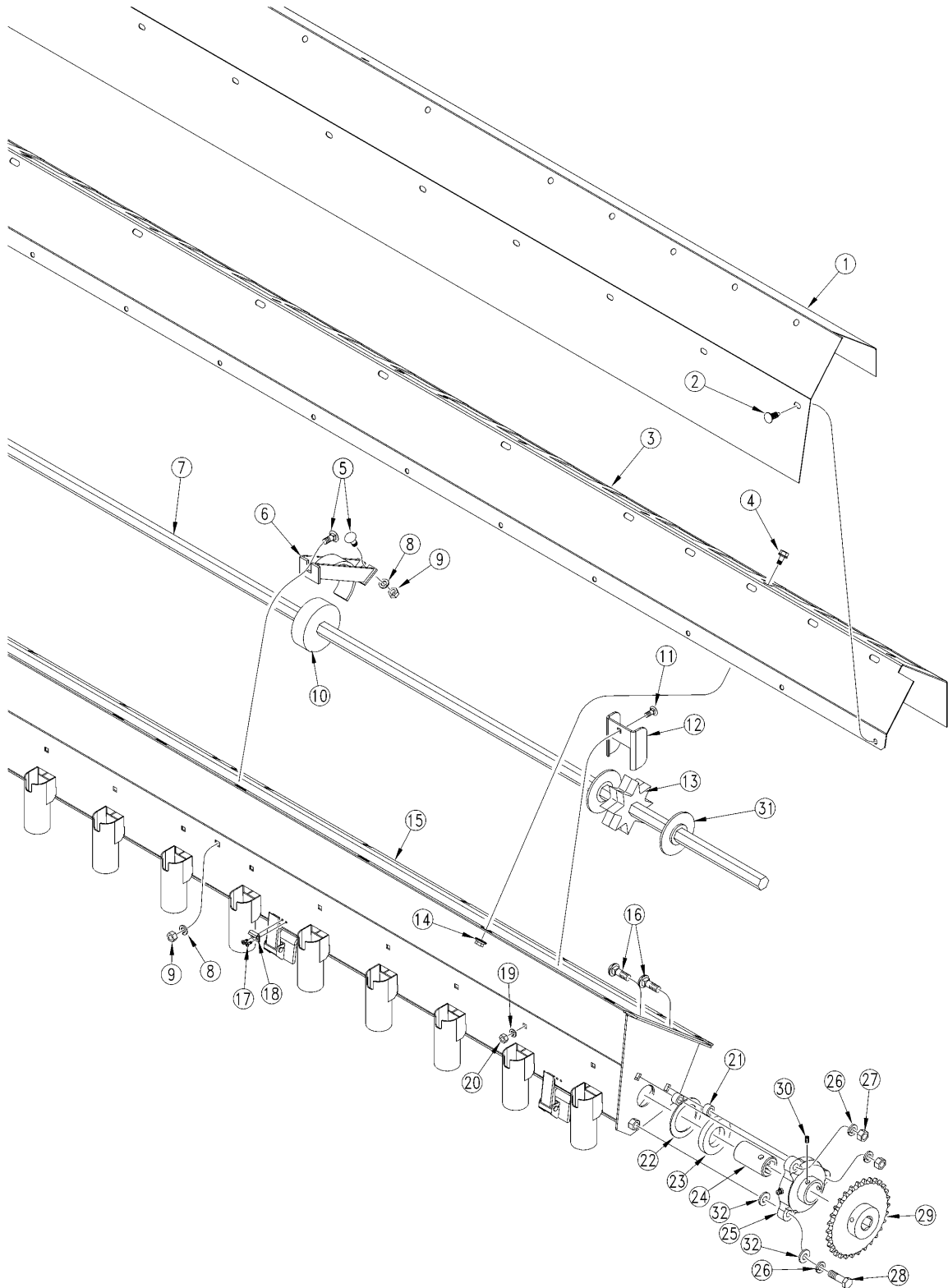
Fertilizer Tray to Box

(Applies to 3S-4010HD, 3S-4010HDF only)

Ref	Part No.	Part Description	Comments	Revision
	dwg29326	Image No.		
1.	197-175K	3N40HD 7.5 CEN FERT TRAY ASY		
1.	197-176K	3N40HD 7.5 LH FERT TRAY ASY		
1.	197-177K	3N40 HD 7.5 RH FERT TRAY ASY		
1.	197-180K	3N40HD CEN-LH 10 FERT TRAY ASY		
1.	197-181K	3N40HD RH 10 FERT TRAY ASY		
2.	802-196C	HFSS 1/4-20X5/8 GR5		
3.	803-088C	NUT HEX LOCK 1/4-20 FLG		
4.	802-375C	HFSS 1/4-20X1 GR5		
5.	175-289D	13' EW FERTILIZER CAP PLATE	Used with Grain Only	

Fertilizer Tray

(Applies to 3S-4010HD, 3S-4010HDF only)



29325

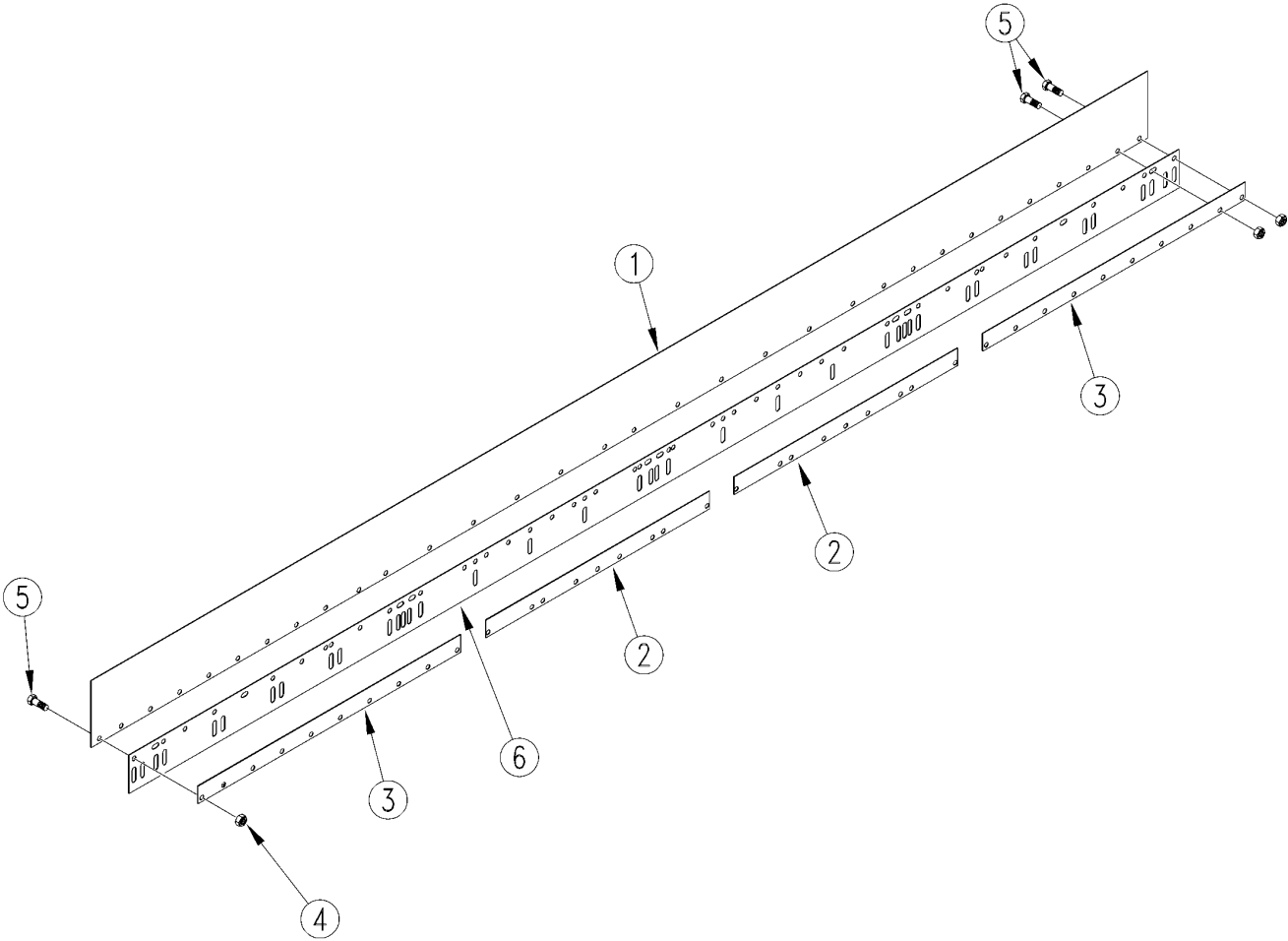
Fertilizer Tray

(Applies to 3S-4010HD, 3S-4010HDF only)

Ref	Part No.	Part Description	Comments	Revision
	dwg29325	Image No.		
1.	816-292C	VINYL FERT DEW SHIELD 13 EW		
2.	817-323C	NYLON RATCHET (TREE RIVET)		
3.	175-338D	1300 FERT TRAY ADAPTER PANEL		
4.	802-148C	HFSS 1/4-20X1/2 GR5		
5.	802-092C	RHSNB 5/16-18X3/4 GR5		
6.	175-102H	13' EW FERT BRG RETAINER		
7.	175-341D	1300 AGITATOR SHAFT		
8.	804-009C	WASHER LOCK SPRING 5/16 PLT		
9.	803-008C	NUT HEX 5/16-18 PLT		
10.	191-002D	MF FERT HEX BORE PLASTIC BUSH		
11.	802-633C	RHSNB 1/4-20X5/8 PLT		
12.	191-053D	8PT FERT STAR RETAINER CHANNEL		
13.	817-018C	AGITATOR 8 POINT HALF		
14.	803-088C	NUT HEX LOCK 1/4-20 FLG		
15.	197-182H	3N40HD FERT 10 IN TRAY WELD		
15.	197-179H	3N40HD 7.5 CEN FERT TRAY WLD		
15.	197-178H	3N40HD 7.5 WING FERT TRAY WLD		
16.	802-453C	RHSNB 3/8-16X1 1/2 GR5		
17.	800-012C	RIVET SS 1/8 DIA		
18.	800-032C	LATCH STRIKE		
19.	804-006C	WASHER LOCK SPRING 1/4 PLT		
20.	803-006C	NUT HEX 1/4-20 PLT		
21.	296-080D	SPACER TB 7/8OD X 1/2ID X .359		
22.	804-048C	WASHER MACH 2.50 X1.75 X .075		
23.	890-026C	FELT SEAL		
24.	191-001D	MF FERT .75 HEX BORE BUSHING		
25.	822-083C	BRG FLG 1.25ID 3BOLT		
26.	804-013C	WASHER LOCK SPRING 3/8 PLT		
27.	803-014C	NUT HEX 3/8-16 PLT		
28.	802-017C	HHCS 3/8-16X1 GR5		
29.	808-086C	SPKT 40B30 X 3/4 HEXBORE W/ SS		
30.	801-009C	SCREW SET 1/4-28 SH X 1/2 LG		
31.	817-802C	FERT STAR END SPACER WASHER		
32.	804-012C	WASHER FLAT 3/8 SAE PLT		

Seed / Fertilizer Flap (175-191S)

(Applies to 3S-4010HD, 3S-4010HDF only)



16578

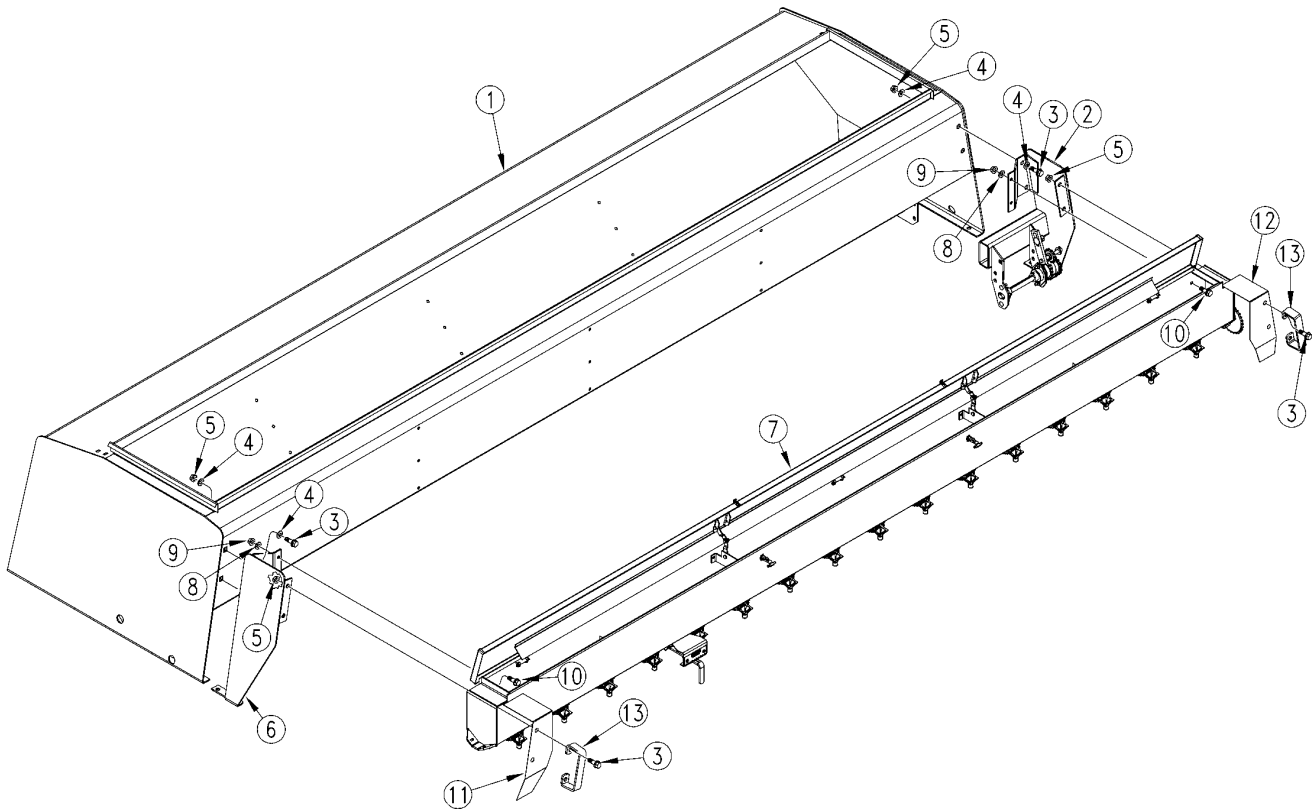
Seed / Fertilizer Flap (175-191S)

(Applies to 3S-4010HD, 3S-4010HDF only)

Ref	Part No.	Part Description	Comments	Revision
	dwg16578	Image No.		
1.	175-332D	1300 SEED/FERT SELECT FLAP		
2.	195-197D	HINGE CLAMP STRIP CTR		
3.	175-327D	1300 HINGE CLAMP STRIP END		
4.	803-007C	NUT-LOCK 1/4-20 PLT		
5.	802-078C	HHCS 1/4-20X5/8 GR5		
6.	816-291C	RUBBER BELTING HINGE 13 EW		

Small Seeds Box Mounting

(Applies to 3S-4010HD, 3S-4010HDF only)



27425

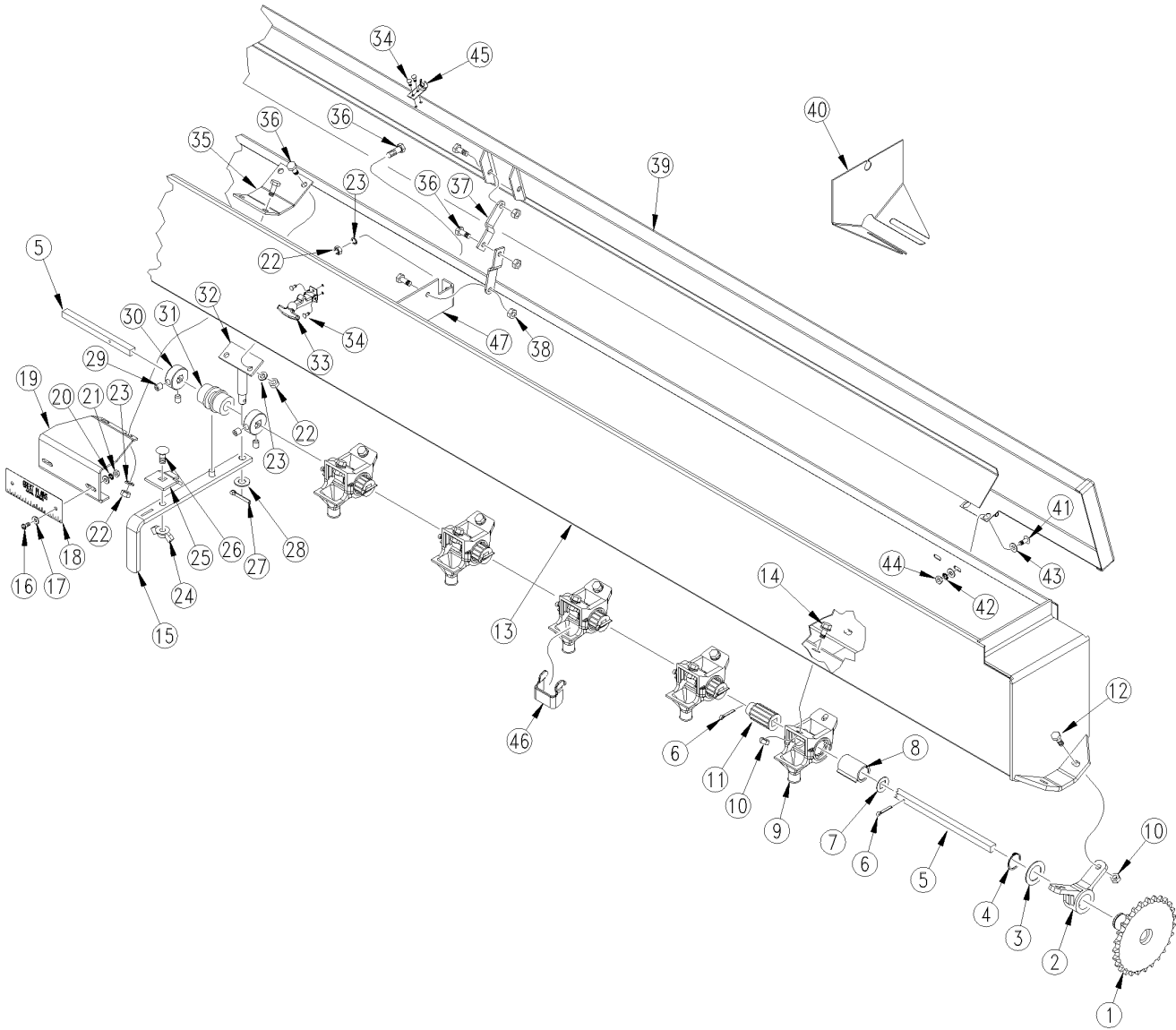
Small Seeds Box Mounting

(Applies to 3S-4010HD, 3S-4010HDF only)

Ref	Part No.	Part Description	Comments	Revision
	dwg27425	Image No.		
1.	195-244H	3S-4000 SEED BOX		
2.	133-161H	SML SDS RH MOUNT WLDM W/ DRIVE	Shown	
2.	133-159H	SML SDS LH MOUNT WLDM W/ DRIVE		
3.	802-203C	HFSS 1/2-13X1 1/2 GR5		
4.	804-016C	WASHER FLAT 1/2 SAE PLT		
5.	803-169C	NUT HEX FLG. LOCK 1/2-13 PLT.		
6.	133-380H	SML SDS LH MOUNT WLDM		
6.	133-416H	SML SDS RH MOUNT WLDM		
7.	133-331K	3N40 SML SDS CR BOX ASY 7.5-22	7.5" Center Wing	
7.	133-155K	2600 SML SDS RH BOX ASY 7.5 IN	7.5" LH Wing	
7.	133-154K	2600 SML SDS LH BOX ASY 7.5 IN	7.5" RH Wing	
7.	133-157K	2600 SML SDS RH BOX ASY 10 IN	10" Center & LH Wing	
7.	133-156K	2600 SML SDS LH BOX ASY 10 IN	10" RH Wing	
8.	804-013C	WASHER LOCK SPRING 3/8 PLT		
9.	803-014C	NUT HEX 3/8-16 PLT		
10.	802-388C	HFS 3/8-16X1 GR5		
11.	123-491D	HANDLE MOUNT LH CHAIN GUARD		
12.	123-492D	HANDLE MOUNT RH CHAIN GUARD		
13.	119-190D	HANDLE		

Small Seeds Box Components

(Applies to 3S-4010HD, 3S-4010HDF only)



27429

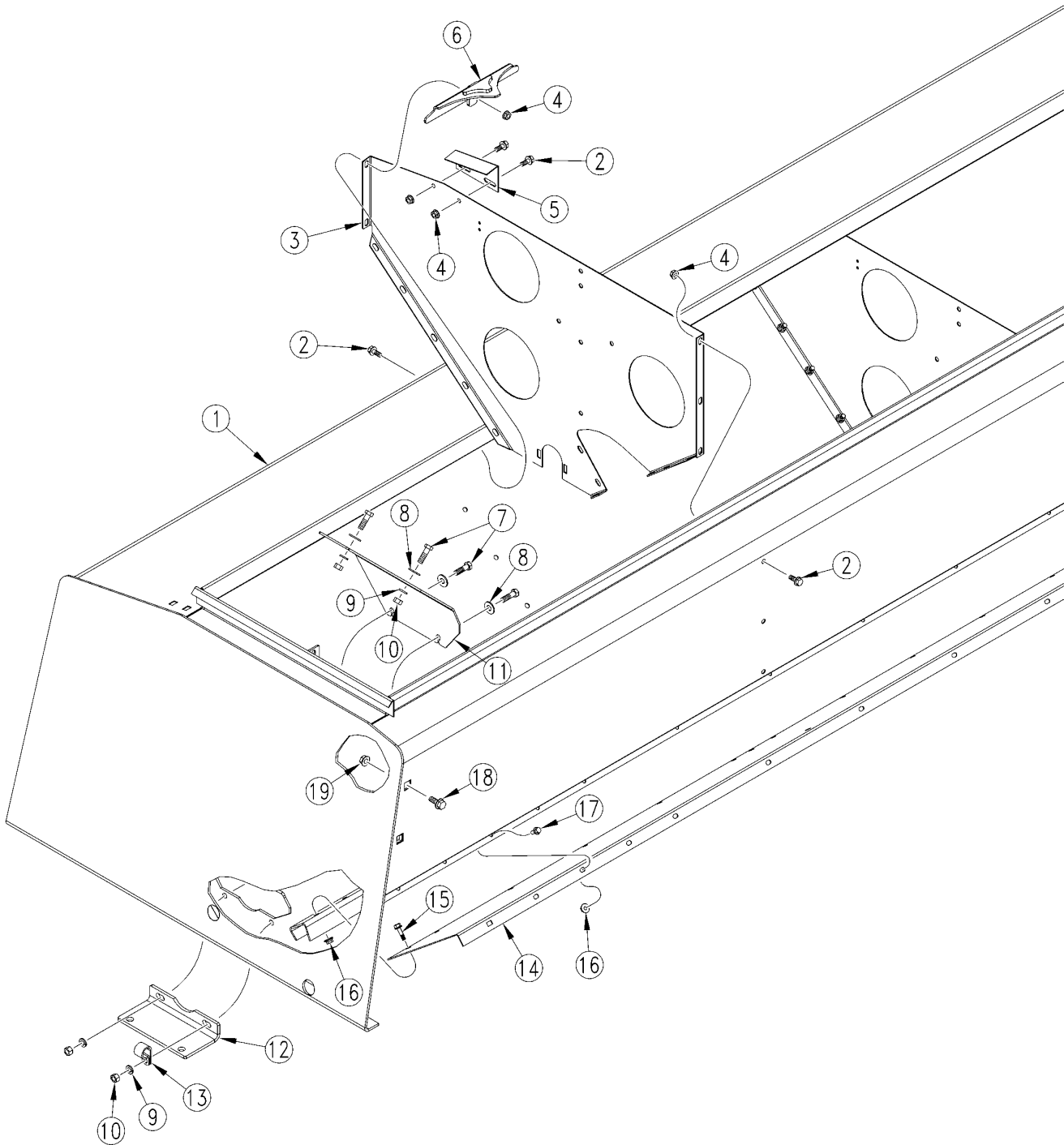
Small Seeds Box Components

(Applies to 3S-4010HD, 3S-4010HDF only)

Ref	Part No.	Part Description	Comments	Revision
	dwg29429	Image No.		
1.	123-834H	SML SDS DRIVE SPKT HUB 27T		
2.	817-026C	HANGER DRIVE SHAFT		
3.	804-044C	WASHER MACH 1.38 X .876 X .048		
4.	800-028C	SNAP RING .875		
5.	123-017D	3N40 SML SDS BOX SHAFT 7.5-22	7.5" Center Section	
5.	123-576D	1300 SML SDS CUP SHAFT 7.5 IN	7.5" RH & LH Wings	
5.	123-577D	1300 SML SDS CUP SHAFT 10 IN	10" All Sections	
6.	805-076C	PIN ROLL 3/16 X 1 3/4 PLT.		
7.	804-042C	WASHER GRASS SEEDER CUP SHAFT		
8.	817-009C	GRASS SEEDER SLEEVE		
9.	817-504C	SML SEED FEEDER CUP ASSY		
10.	803-006C	NUT HEX 1/4-20 PLT		
11.	817-010C	GRASS SEEDER SPROCKET		
12.	802-004C	HHCS 1/4-20X3/4 GR5		
13.	133-330H	3N40 SML SDS BOX 7.5-22	Center Box 7.5"	
13.	133-062H	1300 SML SDS BOX 7.5 IN	Wing Box 7.5"	
13.	133-063H	1300 SML SDS BOX 10 IN	All Sections 10"	
14.	802-148C	HFSS 1/4-20X1/2 GR5		
15.	123-476H	REAR SEED RATE ADJ HANDLE WLD		
16.	801-001C	SCREW RD HD 8-32 X 3/8 BRASS		
17.	804-003C	WASHER FLAT #8 BRASS		
18.	819-041C	SEED ADJUSTMENT GUIDE		
19.	123-410D	GAUGE MOUNTING BRACKET		
20.	804-002C	WASHER INTERNAL STAR #8 BRASS		
21.	803-035C	NUT HEX 8-32 BRASS		
22.	803-006C	NUT HEX 1/4-20 PLT		
23.	804-006C	WASHER LOCK SPRING 1/4 PLT		
24.	803-058C	NUT WING 5/16-18		
25.	123-113D	LOCK TAB		
26.	802-092C	RHSNB 5/16-18X3/4 GR5		
27.	805-019C	PIN COTTER 5/32 X 1 PLT		
28.	804-012C	WASHER FLAT 3/8 SAE PLT		
29.	801-035C	SCREW SET 5/16-18 SKT KP X 3/8		
30.	890-349C	3/8 SHAFT LOCKING COLLAR		
31.	123-116D	SEED ADJUSTMENT SPOOL		
32.	123-050H	ADJUSTMENT HANDLE PIVOT		
33.	816-112C	RUBBER LATCH 37-11-065-10		
34.	800-101C	RIVET POP 1/8 .125 AD42BSLF		
35.	123-118D	SEED ADJUSTMENT SUPPORT		
36.	802-078C	HHCS 1/4-20X5/8 GR5		
37.	123-356D	10' EWNT SGS LID LATCH		
38.	803-007C	NUT LOCK 1/4-20 PLT		
39.	133-064H	1300 SML SDS LID		
40.	123-409D	RMVBL SMALL SEED BOX PARTITION		
41.	801-003C	SCREW RD HD SLT 10-24X1/2 PLT		
42.	804-004C	WASHER INTERNAL STAR #10 PLT		
43.	804-046C	WASHER FLAT #10 SAE PLT		
44.	803-001C	NUT HEX 10-24 PLT		
45.	816-113C	LATCH KEEPER 37-15-061-17		
46.	817-806C	SMALL SEEDS CUP WIND SHIELD		

Seed Box Only

(Applies to 3S-4010HD, 3S-4010HDF only)



29708

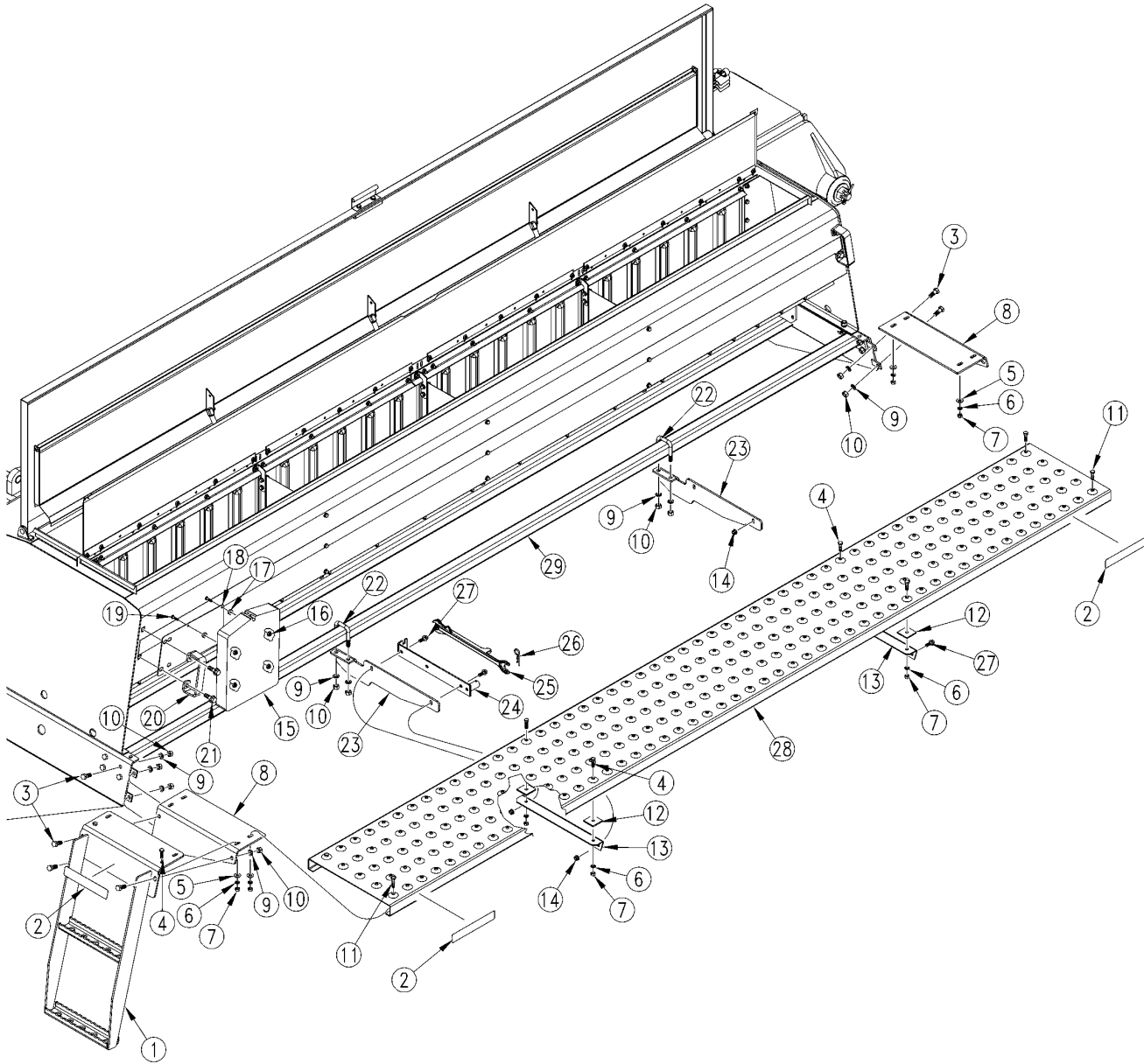
Seed Box Only

(Applies to 3S-4010HD, 3S-4010HDF only)

Ref	Part No.	Part Description	Comments	Revision
	dwg29708	Image No.		
1.	175-219H	2600 SEED BOX		
2.	802-387C	HFS 5/16-18X3/4 GR5		
3.	195-100D	3S BOX PARTITION		
4.	803-199C	NUT HEX FLANGE 5/16-18 PLT		
5.	175-358D	1300 BOX SUPPORT PLATE		
6.	197-186H	3.2 BOX PANEL SUPPORT WELDMENT		
7.	802-079C	HHCS 3/8-16X1 1/4 GR5		
8.	804-011C	WASHER FLAT 3/8 USS PLT		
9.	804-013C	WASHER LOCK SPRING 3/8 PLT		
10.	803-014C	NUT HEX 3/8-16 PLT		
11.	195-101D	INTERIOR ENDPANEL COVER LH		
11.	195-102D	INTERIOR ENDPANEL COVER RH		
12.	148-613D	BOX SUPPORT ANGLE		
13.	800-064C	HOSE CLIP 13/16 ID		
14.	175-289D	13' EW FERTILIZER CAP PLATE		
15.	802-375C	HFSS 1/4-20X1 GR5		
16.	803-088C	NUT HEX LOCK 1/4-20 FLG		
17.	802-196C	HFSS 1/4-20X5/8 GR5		
18.	802-203C	HFSS 1/2-13X1 1/2 GR5		
19.	803-169C	NUT HEX FLG LOCK 1/2-13 PLT		

Walkboard

(Applies to 3S-4010HD, 3S-4010HDF only)



29101

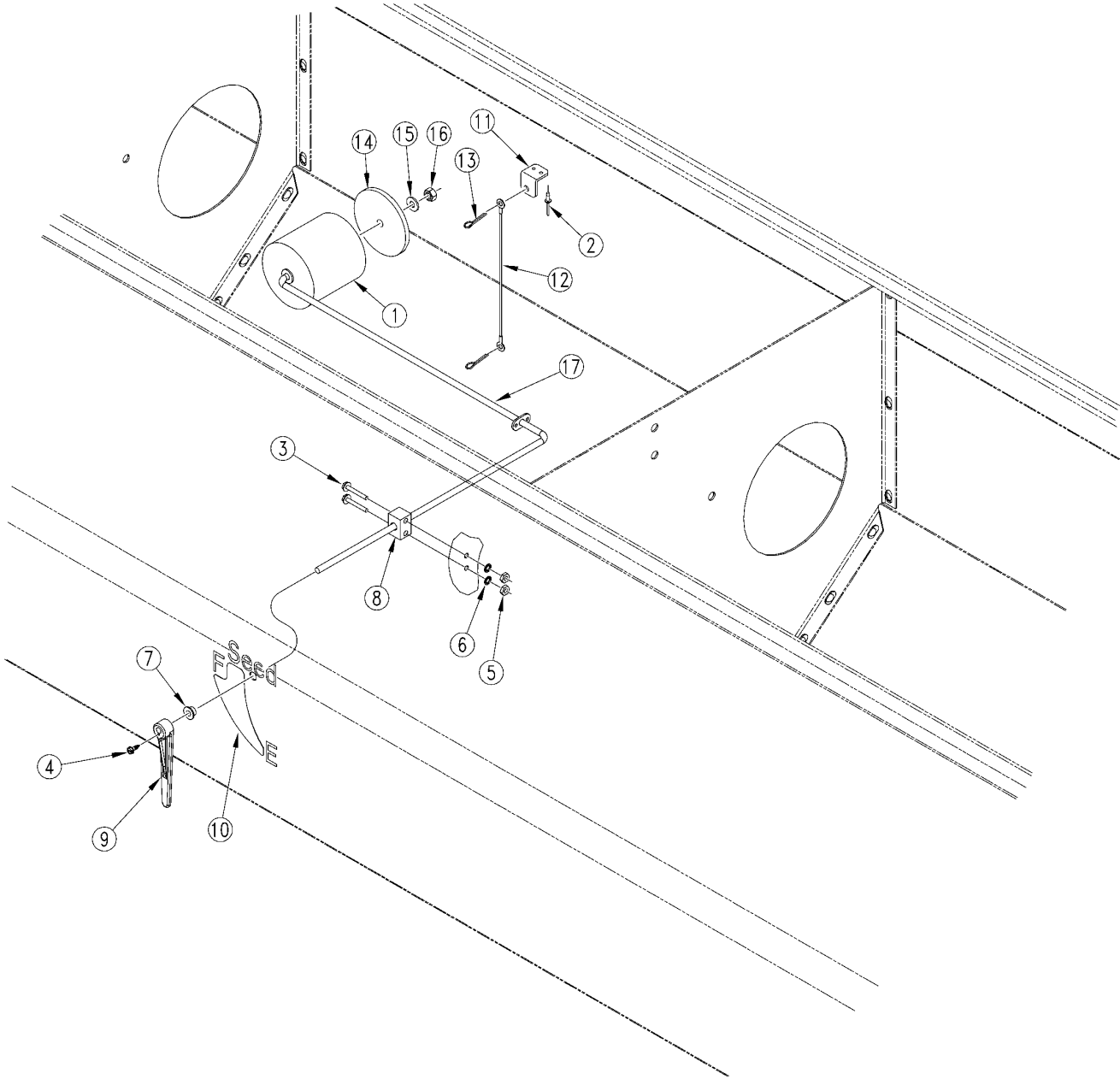
Walkboard

(Applies to 3S-4010HD, 3S-4010HDF only)

Ref	Part No.	Part Description	Comments	Revision
	dwg29101	Image No.		
1.	196-475H	3N40HD LADDER WELDMENT		
2.	838-265C	DECAL REFLECTOR AMBER 1 1/2X9		
3.	802-034C	HHCS 1/2-13X1 1/4 GR5		
4.	802-079C	HHCS 3/8-16X1 1/4 GR5		
5.	804-011C	WASHER FLAT 3/8 USS PLT		
6.	804-013C	WASHER LOCK SPRING 3/8 PLT		
7.	803-014C	NUT HEX 3/8-16 PLT		
8.	296-034D	LH WALKBOARD END PANEL		
9.	804-015C	WASHER LOCK SPRING 1/2 PLT		
10.	803-020C	NUT HEX 1/2-13 PLT		
11.	802-022C	HHCS 3/8-16X1 1/2 GR5		
12.	119-032D	3-PT STEP RETAINER		
13.	119-166D	WALKBOARD MOUNT PLATE, ADAPTOR		
14.	803-209C	NUT FLANGE LOCK 3/8-16 PLT		
15.	817-516C	MANUAL PAK 1" W/ GASKET		
16.	803-088C	NUT HEX LOCK 1/4-20 FLG		
17.	817-042C	MINI END WHEEL PRESS WHEEL		
18.	248-251D	MANUAL PAK MOUNTING PLATE		
19.	802-005C	HHCS 1/4-20X1 GR5		
20.	119-190D	HANDLE		
21.	802-203C	HFSS 1/2-13X1 1/2 GR5		
22.	806-005C	U-BOLT 1/2-13 X 2 X 3 GR 5		
23.	296-035D	WALKBOARD MOUNT PLATE		
24.	403-266D	WRENCH HOLDER STRAP		
25.	403-265D	SPRING AND WHEEL WRENCH		
26.	805-032C	PIN HAIR COTTER .148 WIRE		
27.	802-388C	HFS 3/8-16X1 GR5		
28.	296-031D	WALKBOARD 17.25 X 151.5	Shown	
28.	296-032D	WALKBOARD 17.25 X 151.5 W/ CUT		
29.	196-490H	WALKBOARD TUBE WELDMENT		

Seed Level Indicator

(Applies to 3S-4010HD, 3S-4010HDF only)



18807

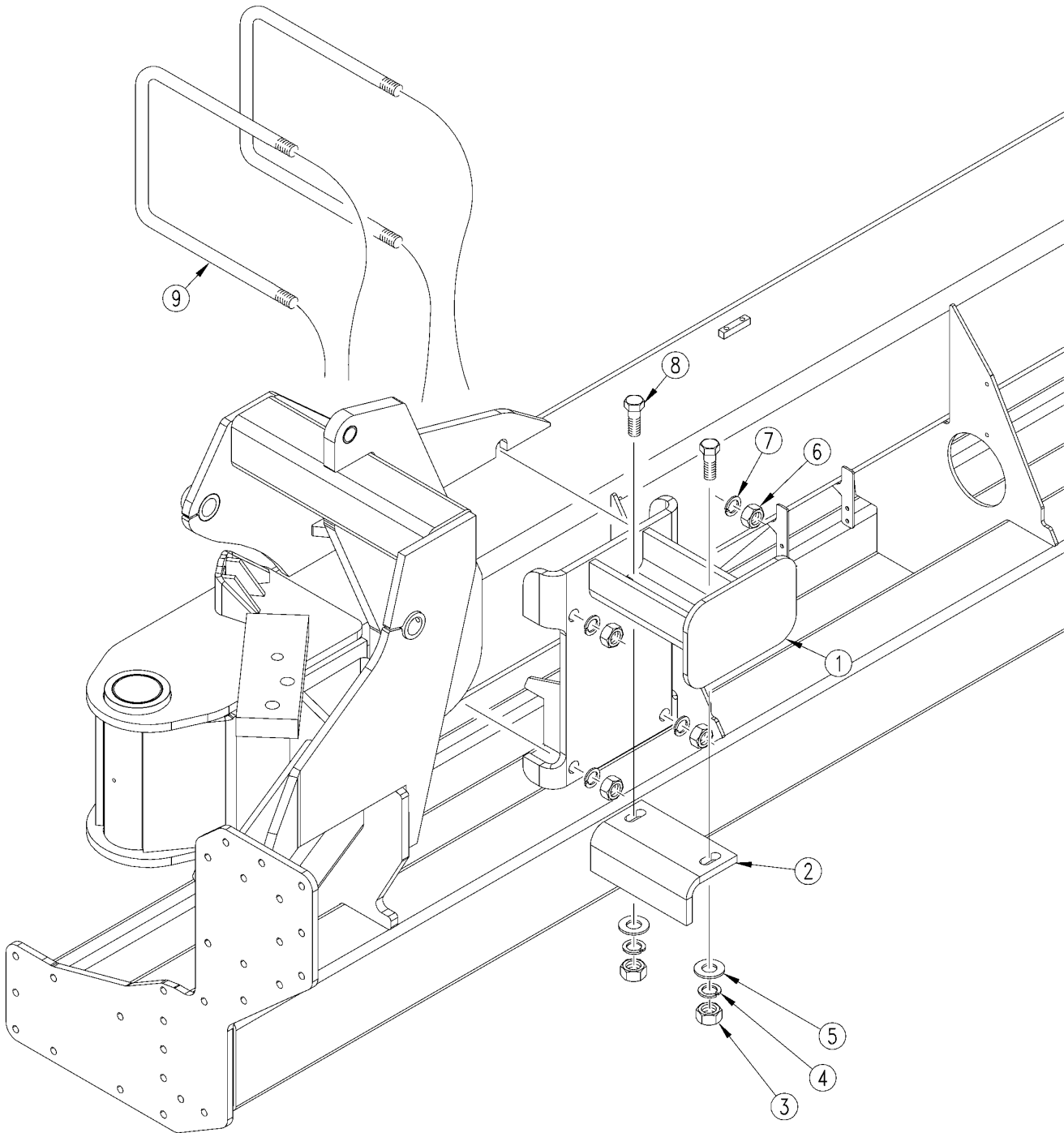
Seed Level Indicator

(Applies to 3S-4010HD, 3S-4010HDF only)

Ref	Part No.	Part Description	Comments	Revision
	dwg18807	Image No.		
1.	197-089D	FOAM FLOAT		
2.	800-101C	RIVET POP 1/8X.265LG FLG		
3.	801-096C	HFS 10-24 X 1 1/8 PLTD		
4.	801-154C	SCR HEX HD SHT MET #8 X 1/2		
5.	803-001C	NUT HEX 10-24 PLT		
6.	804-004C	WASHER INTERNAL STAR #10 PLT		
7.	817-086C	SEED LEVEL BUSHING		
8.	817-202C	SEED LEVEL ARM MOUNT		
9.	817-350C	SEED LEVEL INDICATOR		
10.	838-237C	DECAL SEED LEVEL LH		
11.	197-091D	SEED LEVEL CHAIN BRACKET		
12.	890-305C	CABLE 3/64 X 11 5/8 W/ EYELETS		
13.	805-067C	PIN COTTER 1/8 X 3/4		
14.	197-096D	FOAM FLOAT WASHER		
15.	804-075C	WASHER FLAT 1/4 USS PLT		
16.	803-003C	.00 HEX SS 1/4-20 NYLOCK		
17.	195-124H	3S SEED LEVEL ROD		

Weight Bracket (Option)

(Applies to 3S-4010HD, 3S-4010HDF only)



29102

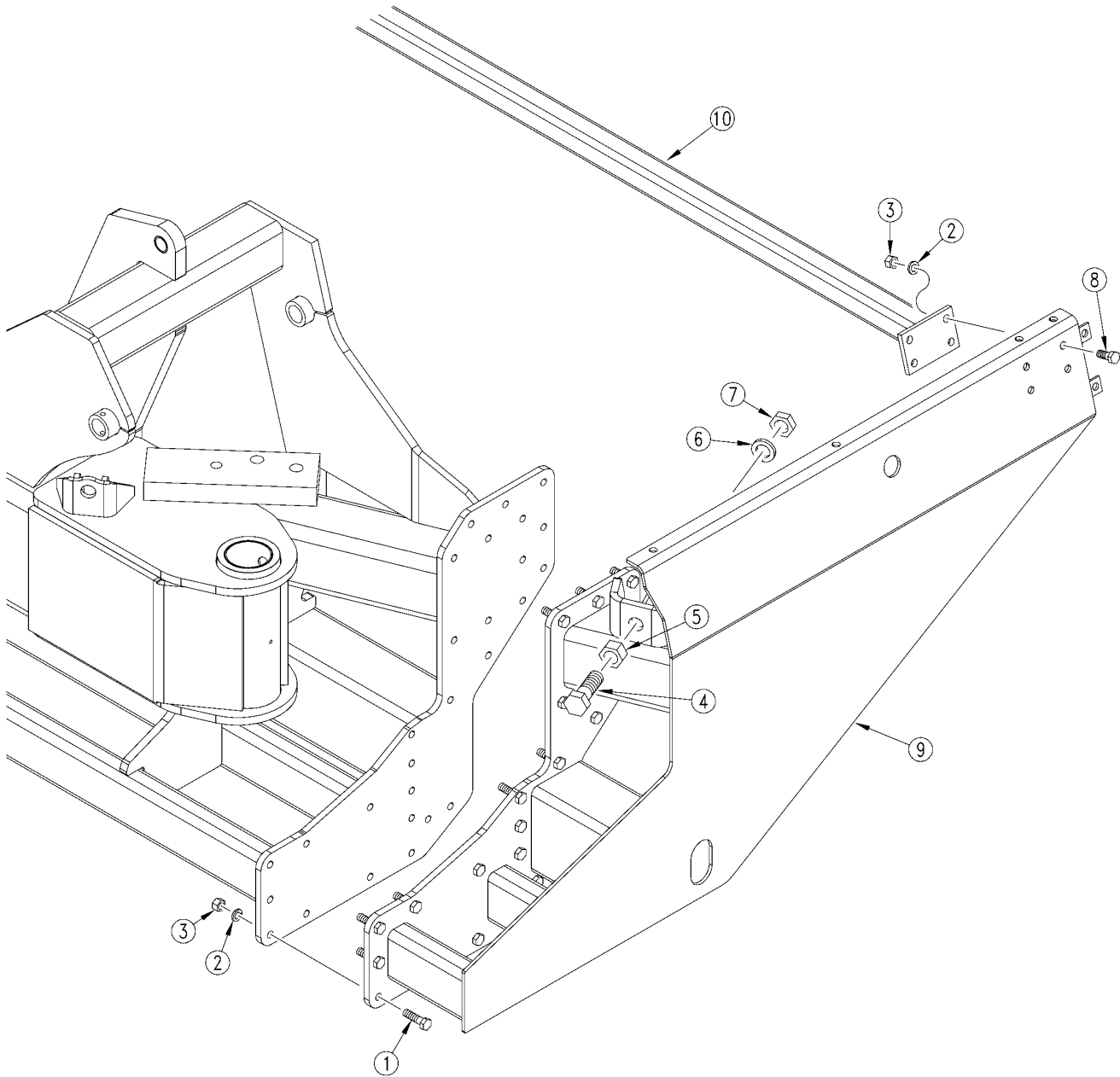
Weight Bracket (Option)

(Applies to 3S-4010HD, 3S-4010HDF only)

Ref	Part No.	Part Description	Comments	Revision
	dwg29102	Image No.		
1.	196-291H	40P WEIGHT BRACKET WLDMNT		
2.	197-062D	WEIGHT BRACKET ADJ LEG		
3.	803-021C	NUT HEX 5/8-11 PLT		
4.	804-022C	WASHER LOCK SPRING 5/8 PLT		
5.	804-019C	WASHER FLAT 5/8 USS PLT		
6.	803-027C	NUT HEX 3/4-10 PLT		
7.	803-023C	NUT HEX JAM 5/8-11 PLT		
8.	802-057C	HHCS 5/8-11X2 1/4 GR5		
9.	806-172C	U-BOLT 3/4-10 X 10 1/32X11 1/2		

Wing Frame Extension Mount

(Applies to 3S-4010HD, 3S-4010HDF only)



29324

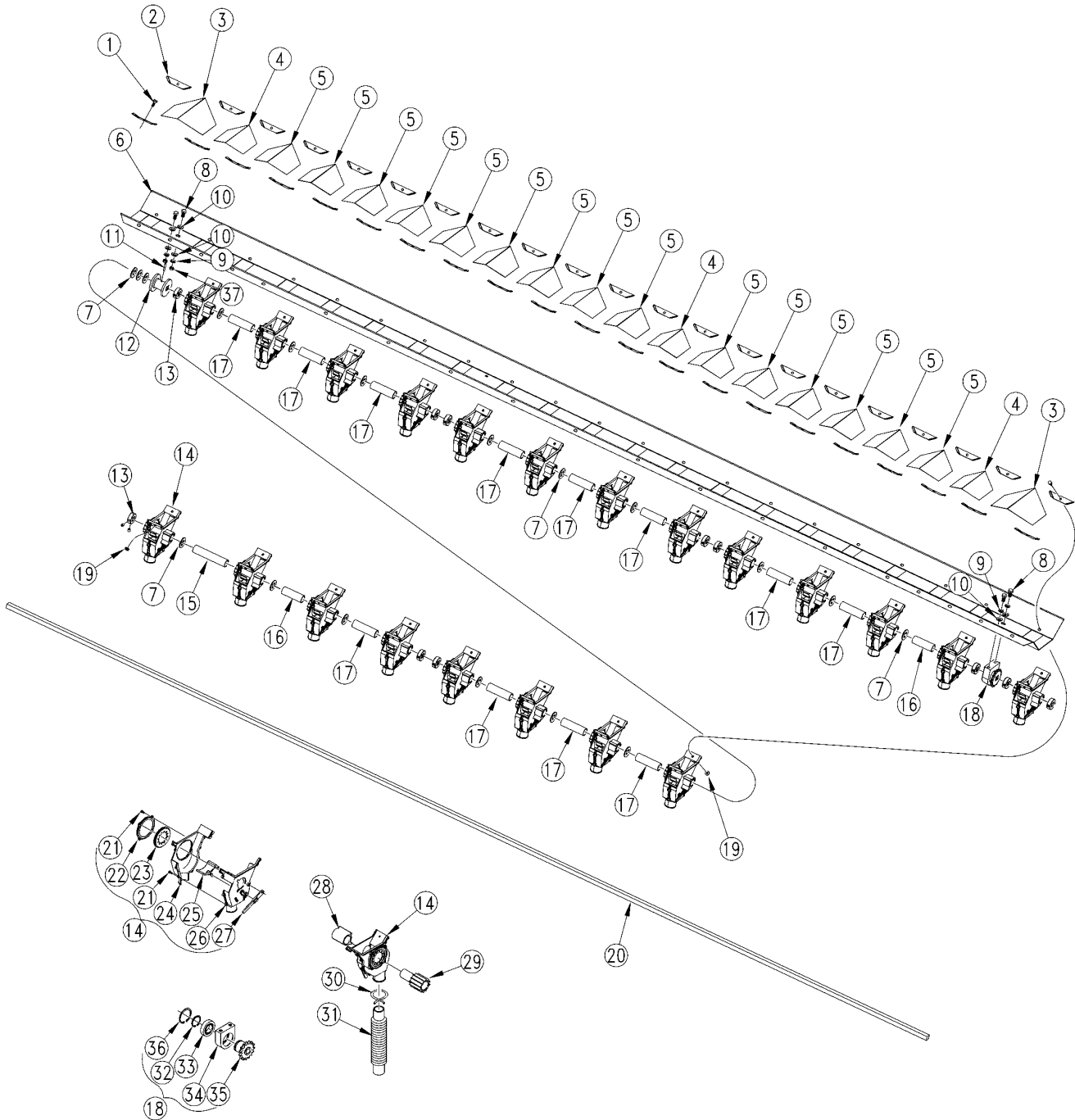
Wing Frame Extension Mount

(Applies to 3S-4010HD, 3S-4010HDF only)

Ref	Part No.	Part Description	Comments	Revision
	dwg29324	Image No.		
1.	802-082C	HHCS 1/2-13X1 3/4 GR5		
2.	804-015C	WASHER LOCK SPRING 1/2 PLT		
3.	803-020C	NUT HEX 1/2-13 PLT		
4.	802-368C	HHCS 1-8X3 GR5		
5.	803-031C	NUT HEX 1-8 PLT		
6.	804-027C	WASHER LOCK SPRING 1 PLT		
7.	803-030C	NUT HEX JAM 1-8 PLT		
8.	802-034C	HHCS 1/2-13X1 1/4 GR5		
9.	196-477H	3N40HD LH WING FRAME EXTENSION	Shown	
9.	196-479H	3N40HD RH WING FRAME EXTENSION		
10.	196-490H	WALKBOARD TUBE WELDMENT		

7.5" LH Feeder Cup Spacing

(Applies to 3S-4010HD, 3S-4010HDF only)



29103

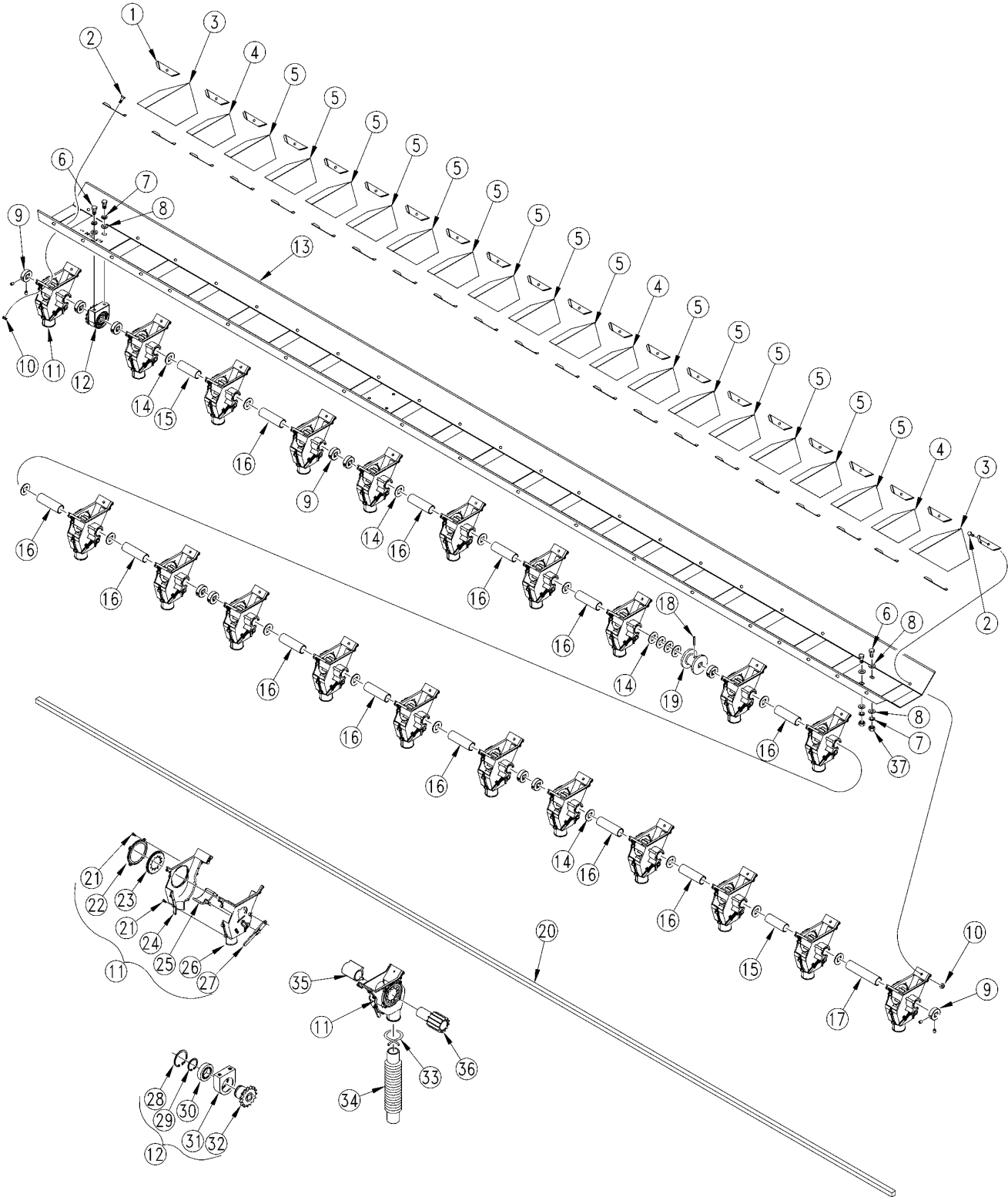
7.5" LH Feeder Cup Spacing

(Applies to 3S-4010HD, 3S-4010HDF only)

Ref	Part No.	Part Description	Comments	Revision
	dwg29103	Image No.		
1.	802-004C	HHCS 1/4-20X3/4 GR5		
2.	118-341D	2SNT SEED BOX DIVIDER CLIP		
3.	118-432D	6 5/8 BOX DVDER FOR 8 1/2 ROW		
4.	118-370D	4 5/8 BOX DVDR FOR 8 ROW		
5.	118-437D	BOX DVDR 5.13 X 60DEG		
6.	197-298D	3N40HD 7.5 WING FEED CUP TRAY		
7.	804-031C	WASHER RETAINING		
8.	802-014C	HHCS 3/8-16X3/4 GR5		
9.	804-013C	WASHER LOCK SPRING 3/8 PLT		
10.	804-012C	WASHER FLAT 3/8 SAE PLT		
11.	805-023C	PIN ROLL 3/16X1 1/4 PLT		
12.	109-091D	MACHINED ADJUSTMENT SPOOL		
13.	890-350C	5/8 SHAFT LOCKING COLLAR		
14.	817-075C	SEED CUP ASSEMBLY	Includes items 21-27	
15.	118-440D	SPACER TUBE X 5.079		
16.	118-376D	SPACER TUBE X 3.078		
17.	118-438D	SPACER TUBE X 3.579		
18.	118-226S	FEEDER CUP BRG ASSEMBLY	Includes items 32-36	
19.	803-194C	NUT HEX WHIZ 1/4-20 PLT		
20.	175-233D	13' EW FD CUP SQ DRIVE BAR		
21.	801-057C	SCR SELF TAP 8X3/8 TYPE25 BT		
22.	817-073C	SEED CUP WASHER RETAINER		
23.	817-004C	NYLON WASHER-SPLIT		
24.	817-068C	SEED CUP LEFT HALF		
25.	817-070C	SEED CUP DOOR		
26.	817-069C	SEED CUP RIGHT HALF		
27.	817-071C	SEED CUP ADJUSTMENT HANDLE		
28.	817-074C	SEED CUP SLEEVE		
29.	890-190C	PM SEED CUP SPROCKET		
30.	800-009C	CLAMP HOSE 1 5/8 NO. 26		
31.	816-239C	SEED HOSE 56 RIBS X 11 LONG		
32.	800-004C	SNAP RING EXT BASIC 1.880		
33.	822-103C	BRG 30IDX55OD MM		
34.	118-336D	FEEDER CUP BRG HOUSING		
35.	118-508D	BRG HUB 40A15		
36.	800-107C	SNAP RING INT 2.165		
37.	803-014C	NUT HEX 3/8-16 PLT		

7.5" RH Feeder Cup Spacing

(Applies to 3S-4010HD, 3S-4010HDF only)



29111

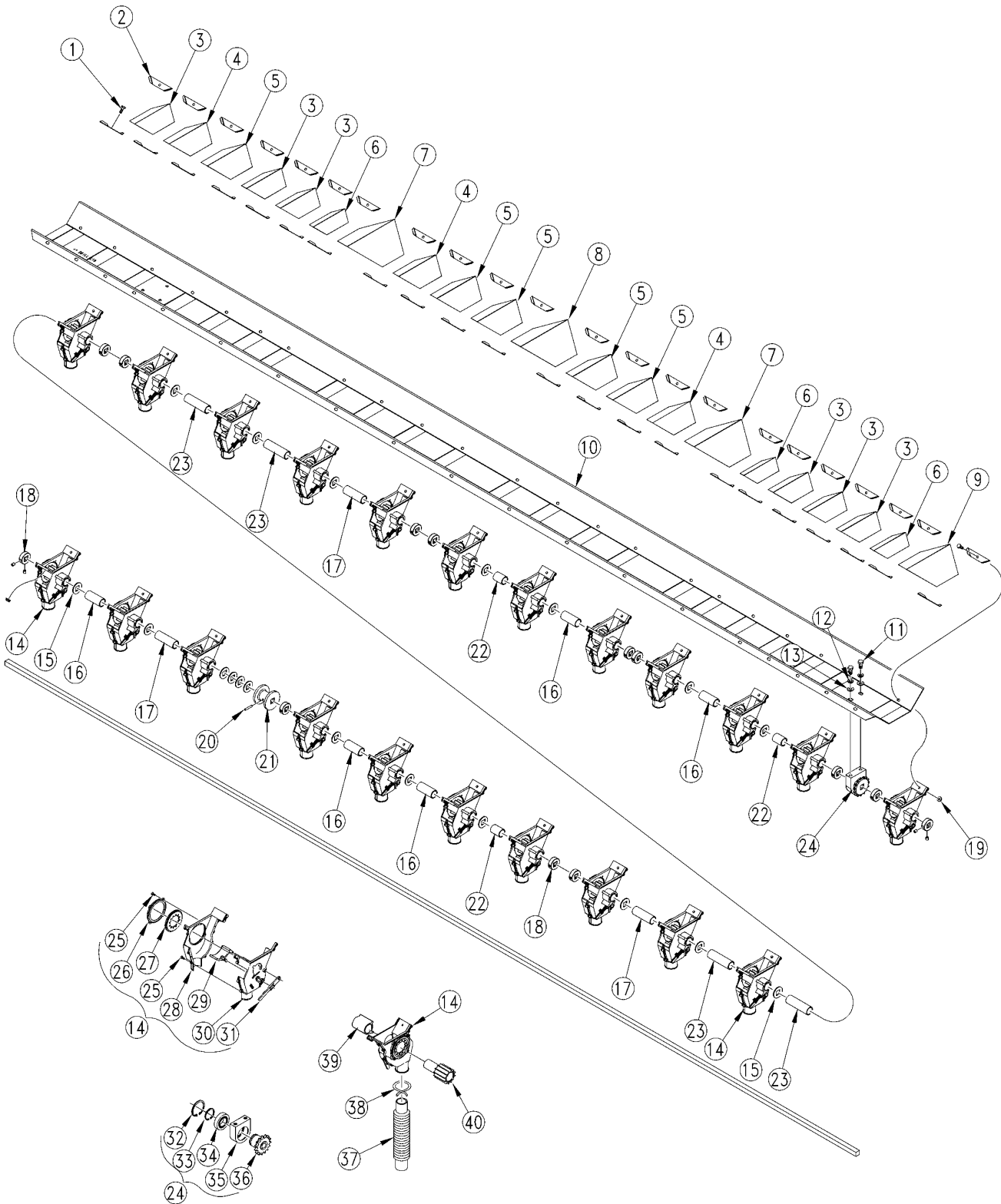
7.5" RH Feeder Cup Spacing

(Applies to 3S-4010HD, 3S-4010HDF only)

Ref	Part No.	Part Description	Comments	Revision
	dwg29111	Image No.		
1.	118-341D	2SNT SEED BOX DIVIDER CLIP		
2.	802-004C	HHCS 1/4-20X3/4 GR5		
3.	118-432D	6 5/8 BOX DVDR FOR 8 1/2 ROW		
4.	118-370D	4 5/8 BOX DVDR FOR 8 ROW		
5.	118-437D	BOX DVDR 5.13 X 60DEG		
6.	802-014C	HHCS 3/8-16X3/4 GR5		
7.	804-013C	WASHER LOCK SPRING 3/8 PLT		
8.	804-012C	WASHER FLAT 3/8 SAE PLT		
9.	890-350C	5/8 SHAFT LOCKING COLLAR		
10.	803-194C	NUT HEX WHIZ 1/4-20 PLT		
11.	817-075C	SEED CUP ASSEMBLY	Includes items 21-27	
12.	118-226S	FEEDER CUP BRG ASSEMBLY	Includes items 28-32	
13.	197-298D	3N40HD 7.5 WING FEED CUP TRAY		
14.	804-031C	WASHER RETAINING		
15.	118-376D	SPACER TUBE X 3.078		
16.	118-438D	SPACER TUBE X 3.579		
17.	118-440D	SPACER TUBE X 5.079		
18.	805-023C	PIN ROLL 3/16X1 1/4 PLT		
19.	109-091D	MACHINED ADJUSTMENT SPOOL		
20.	175-233D	13' EW FD CUP SQ DRIVE BAR		
21.	801-057C	SCR SELF TAP 8X3/8 TYPE25 BT		
22.	817-073C	SEED CUP WASHER RETAINER		
23.	817-004C	NYLON WASHER-SPLIT		
24.	817-068C	SEED CUP LEFT HALF		
25.	817-070C	SEED CUP DOOR		
26.	817-069C	SEED CUP RIGHT HALF		
27.	817-071C	SEED CUP ADJUSTMENT HANDLE		
28.	800-107C	SNAP RING INT 2.165		
29.	800-004C	SNAP RING EXT BASIC 1.880		
30.	822-103C	BRG 30IDX55OD MM		
31.	118-336D	FEEDER CUP BRG HOUSING		
32.	118-508D	BRG HUB 40A15		
33.	800-009C	CLAMP HOSE 1 5/8 NO. 26		
34.	816-239C	SEED HOSE 56 RIBS X 11 LONG		
35.	817-074C	SEED CUP SLEEVE		
36.	890-190C	PM SEED CUP SPROCKET		
37.	803-014C	NUT HEX 3/8-16 PLT		

7.5" CTR Section Feeder Cup Spacing

(Applies to 3S-4010HD, 3S-4010HDF only)



29109

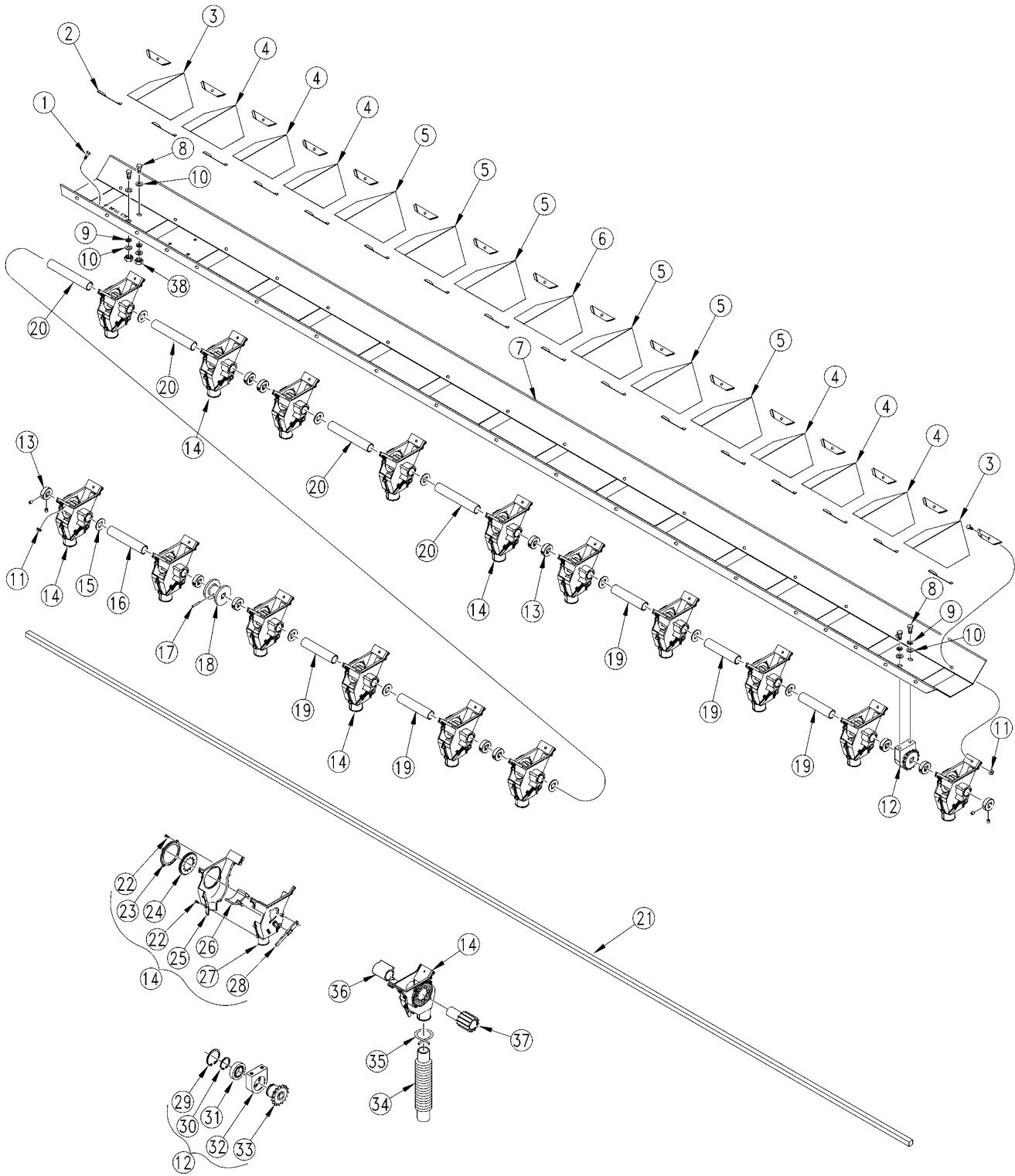
7.5" CTR Section Feeder Cup Spacing

(Applies to 3S-4010HD, 3S-4010HDF only)

Ref	Part No.	Part Description	Comments	Revision
	dwg29109	Image No.		
1.	802-004C	HHCS 1/4-20X3/4 GR5		
2.	118-341D	2SNT SEED BOX DIVIDER CLIP		
3.	118-433D	BOX DVDR 4.00 X 60DEG		
4.	118-370D	4 5/8 BOX DVDR FOR 8 ROW		
5.	118-437D	BOX DVDR 5.13 X 60DEG		
6.	118-431D	3 BOX DIVIDER FOR 4 7/8 ROW		
7.	118-470D	BOX DVDR 7.75 X 60DEG		
8.	118-373D	7 5/8 BOX DVDR FOR 8 ROW		
9.	118-432D	6 5/8 BOX DVDR FOR 8 1/2 ROW		
10.	197-299D	3N40HD 7.5 CEN FEED CUP TRAY		
11.	802-014C	HHCS 3/8-16X3/4 GR5		
12.	804-013C	WASHER LOCK SPRING 3/8 PLT		
13.	804-012C	WASHER FLAT 3/8 SAE PLT		
14.	817-075C	SEED CUP ASSEMBLY	Includes items 25-31	
15.	804-031C	WASHER RETAINING		
16.	118-436D	SPACER TUBE X 2.470		
17.	118-376D	SPACER TUBE X 3.078		
18.	890-350C	5/8 SHAFT LOCKING COLLAR		
19.	803-194C	NUT HEX WHIZ 1/4-20 PLT		
20.	805-023C	PIN ROLL 3/16X1 1/4 PLT		
21.	109-091D	MACHINED ADJUSTMENT SPOOL		
22.	118-434D	SPACER TUBE X 1.454		
23.	118-438D	SPACER TUBE X 3.579		
24.	118-226S	FEEDER CUP BRG ASSEMBLY	Includes Items 32-36	
25.	801-057C	SCR SELF TAP 8X3/8 TYPE25 BT		
26.	817-073C	SEED CUP WASHER RETAINER		
27.	817-004C	NYLON WASHER-SPLIT		
28.	817-068C	SEED CUP LEFT HALF		
29.	817-070C	SEED CUP DOOR		
30.	817-069C	SEED CUP RIGHT HALF		
31.	817-071C	SEED CUP ADJUSTMENT HANDLE		
32.	800-107C	SNAP RING INT 2.165		
33.	800-004C	SNAP RING EXT BASIC 1.880		
34.	822-103C	BRG 30IDX55OD MM		
35.	118-336D	FEEDER CUP BRG HOUSING		
36.	118-508D	BRG HUB 40A15		
37.	816-239C	SEED HOSE 56 RIBS X 11 LONG		
38.	800-009C	CLAMP HOSE 1 5/8 NO. 26		
39.	817-074C	SEED CUP SLEEVE		
40.	890-190C	PM SEED CUP SPROCKET		

10" CTR and LH Feeder Cup Spacing

(Applies to 3S-4010HD, 3S-4010HDF only)



29119

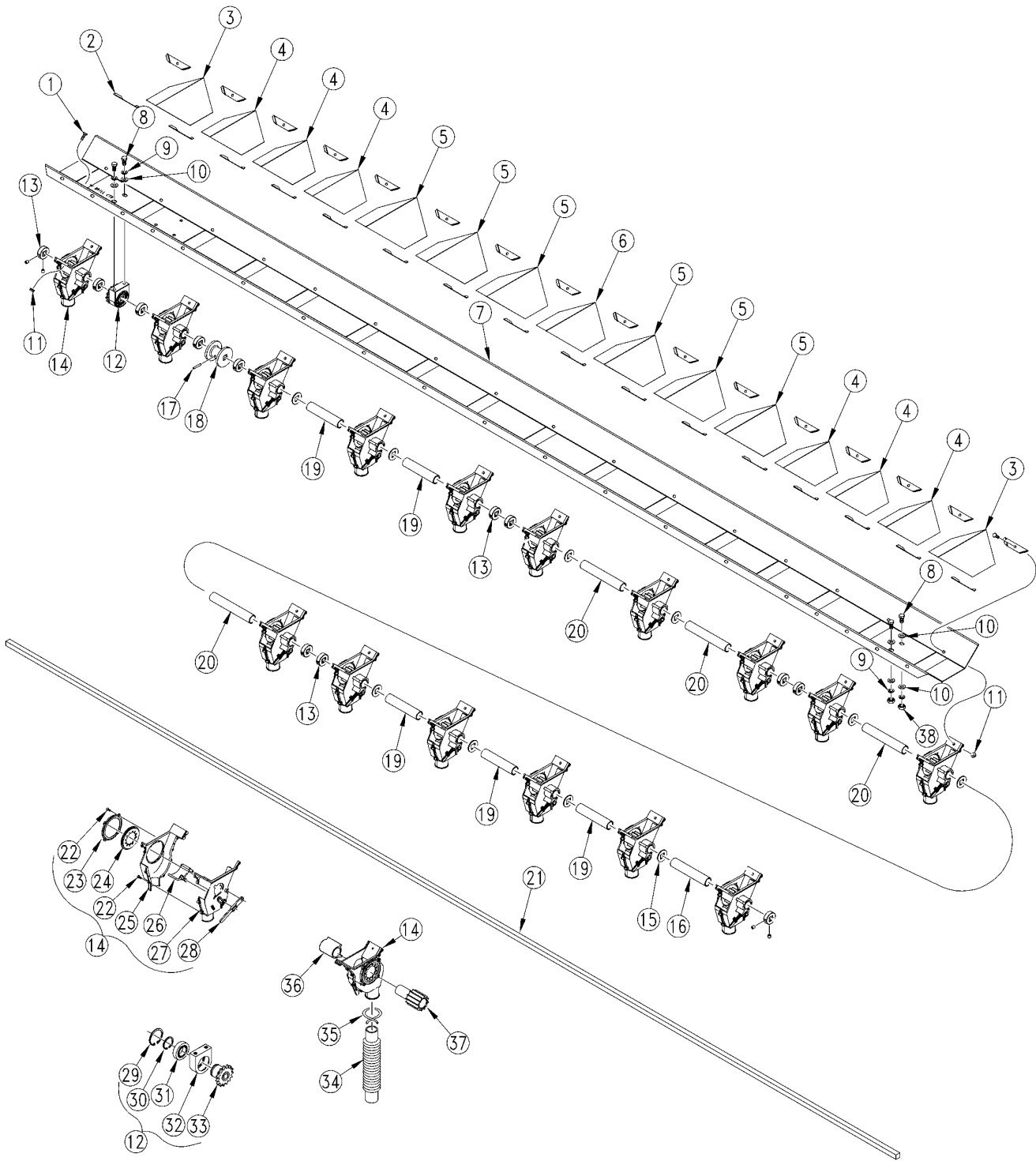
10" CTR and LH Feeder Cup Spacing

(Applies to 3S-4010HD, 3S-4010HDF only)

Ref	Part No.	Part Description	Comments	Revision
	dwg29119	Image No.		
1.	802-004C	HHCS 1/4-20X3/4 GR5		
2.	118-341D	2SNT SEED BOX DIVIDER CLIP		
3.	118-338D	7 1/4 BOX DVDR FOR 7 1/2 ROW		
4.	118-432D	6 5/8 BOX DVDR FOR 8 1/2 ROW		
5.	118-356D	BOX DIVIDER FOR 10 ROW		
6.	118-373D	7 5/8 BOX DVDR FOR 8 ROW		
7.	197-300D	3N40HD FEED CUP TRAY 10 IN		
8.	802-014C	HHCS 3/8-16X3/4 GR5		
9.	804-013C	WASHER LOCK SPRING 3/8 PLT		
10.	804-012C	WASHER FLAT 3/8 SAE PLT		
11.	803-194C	NUT HEX WHIZ 1/4-20 PLT		
12.	118-226S	FEEDER CUP BRG ASSEMBLY	Includes items 29-33	
13.	890-350C	5/8 SHAFT LOCKING COLLAR		
14.	817-075C	SEED CUP ASSEMBLY	includes items 22-28	
15.	804-031C	WASHER RETAINING		
16.	175-280D	13' EW SPACER TUBE X 5.704		
17.	805-023C	PIN ROLL 3/16X1 1/4 PLT		
18.	109-091D	MACHINED ADJUSTMENT SPOOL		
19.	118-440D	SPACER TUBE X 5.079		
20.	118-353D	SPACER TUBE X 6.578		
21.	175-233D	13' EW FD CUP SQ DRIVE BAR		
22.	801-057C	SCR SELF TAP 8X3/8 TYPE25 BT		
23.	817-073C	SEED CUP WASHER RETAINER		
24.	817-004C	NYLON WASHER-SPLIT		
25.	817-068C	SEED CUP LEFT HALF		
26.	817-070C	SEED CUP DOOR		
27.	817-069C	SEED CUP RIGHT HALF		
28.	817-071C	SEED CUP ADJUSTMENT HANDLE		
29.	800-107C	SNAP RING INT 2.165		
30.	800-004C	SNAP RING EXT BASIC 1.880		
31.	822-103C	BRG 30IDX55OD MM		
32.	118-336D	FEEDER CUP BRG HOUSING		
33.	118-508D	BRG HUB 40A15		
34.	816-239C	SEED HOSE 56 RIBS X 11 LONG		
35.	800-009C	CLAMP HOSE 1 5/8 NO. 26		
36.	817-074C	SEED CUP SLEEVE		
37.	890-190C	PM SEED CUP SPROCKET		
38.	803-014C	NUT HEX 3/8-16 PLT		

10" RH Feeder Cup Spacing

(Applies to 3S-4010HD, 3S-4010HDF only)



29120

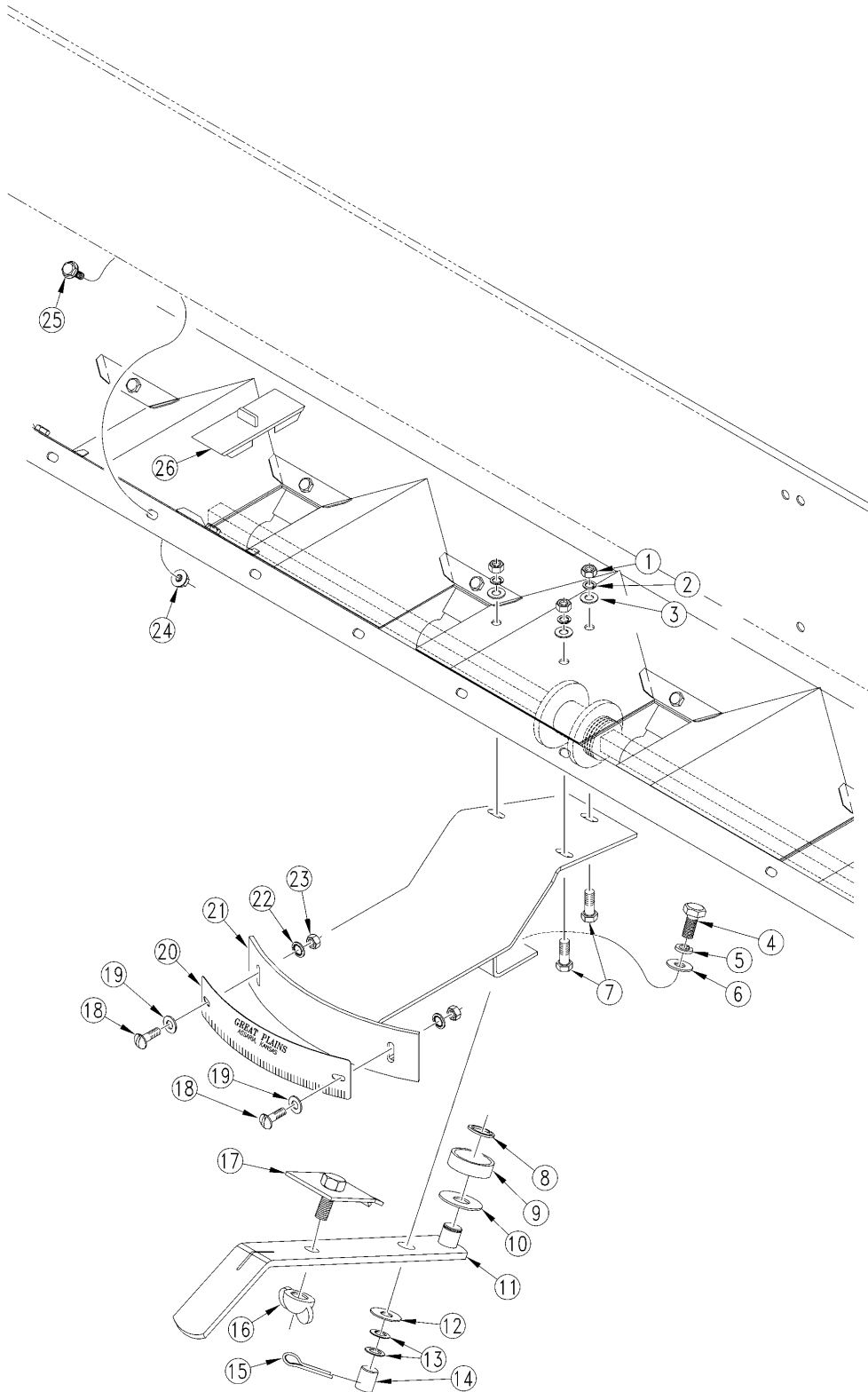
10" RH Feeder Cup Spacing

(Applies to 3S-4010HD, 3S-4010HDF only)

Ref	Part No.	Part Description	Comments	Revision
	dwg29120	Image No.		
1.	802-004C	HHCS 1/4-20X3/4 GR5		
2.	118-341D	2SNT SEED BOX DIVIDER CLIP		
3.	118-338D	7 1/4 BOX DVDR FOR 7 1/2 ROW		
4.	118-432D	6 5/8 BOX DVDR FOR 8 1/2 ROW		
5.	118-356D	BOX DIVIDER FOR 10 ROW		
6.	118-373D	7 5/8 BOX DVDR FOR 8 ROW		
7.	197-300D	3N40HD FEED CUP TRAY 10 IN		
8.	802-014C	HHCS 3/8-16X3/4 GR5		
9.	804-013C	WASHER LOCK SPRING 3/8 PLT		
10.	804-012C	WASHER FLAT 3/8 SAE PLT		
11.	803-194C	NUT HEX WHIZ 1/4-20 PLT		
12.	118-226S	FEEDER CUP BRG ASSEMBLY	Includes items 29-33	
13.	890-350C	5/8 SHAFT LOCKING COLLAR		
14.	817-075C	SEED CUP ASSEMBLY	Includes items 22-28	
15.	804-031C	WASHER RETAINING		
16.	175-280D	13' EW SPACER TUBE X 5.704		
17.	805-023C	PIN ROLL 3/16X1 1/4 PLT		
18.	109-091D	MACHINED ADJUSTMENT SPOOL		
19.	118-440D	SPACER TUBE X 5.079		
20.	118-353D	SPACER TUBE X 6.578		
21.	175-233D	13' EW FD CUP SQ DRIVE BAR		
22.	801-057C	SCR SELF TAP 8X3/8 TYPE25 BT		
23.	817-073C	SEED CUP WASHER RETAINER		
24.	817-004C	NYLON WASHER-SPLIT		
25.	817-068C	SEED CUP LEFT HALF		
26.	817-070C	SEED CUP DOOR		
27.	817-069C	SEED CUP RIGHT HALF		
28.	817-071C	SEED CUP ADJUSTMENT HANDLE		
29.	800-107C	SNAP RING INT 2.165		
30.	800-004C	SNAP RING EXT BASIC 1.880		
31.	822-103C	BRG 30IDX55OD MM		
32.	118-336D	FEEDER CUP BRG HOUSING		
33.	118-508D	BRG HUB 40A15		
34.	816-239C	SEED HOSE 56 RIBS X 11 LONG		
35.	800-009C	CLAMP HOSE 1 5/8 NO. 26		
36.	817-074C	SEED CUP SLEEVE		
37.	890-190C	PM SEED CUP SPROCKET		
38.	803-014C	NUT HEX 3/8-16 PLT		

Seed Rate Adjustment Handle (118-881S)

(Applies to 3S-4010HD, 3S-4010HDF only)



20462

Seed Rate Adjustment Handle (118-881S)

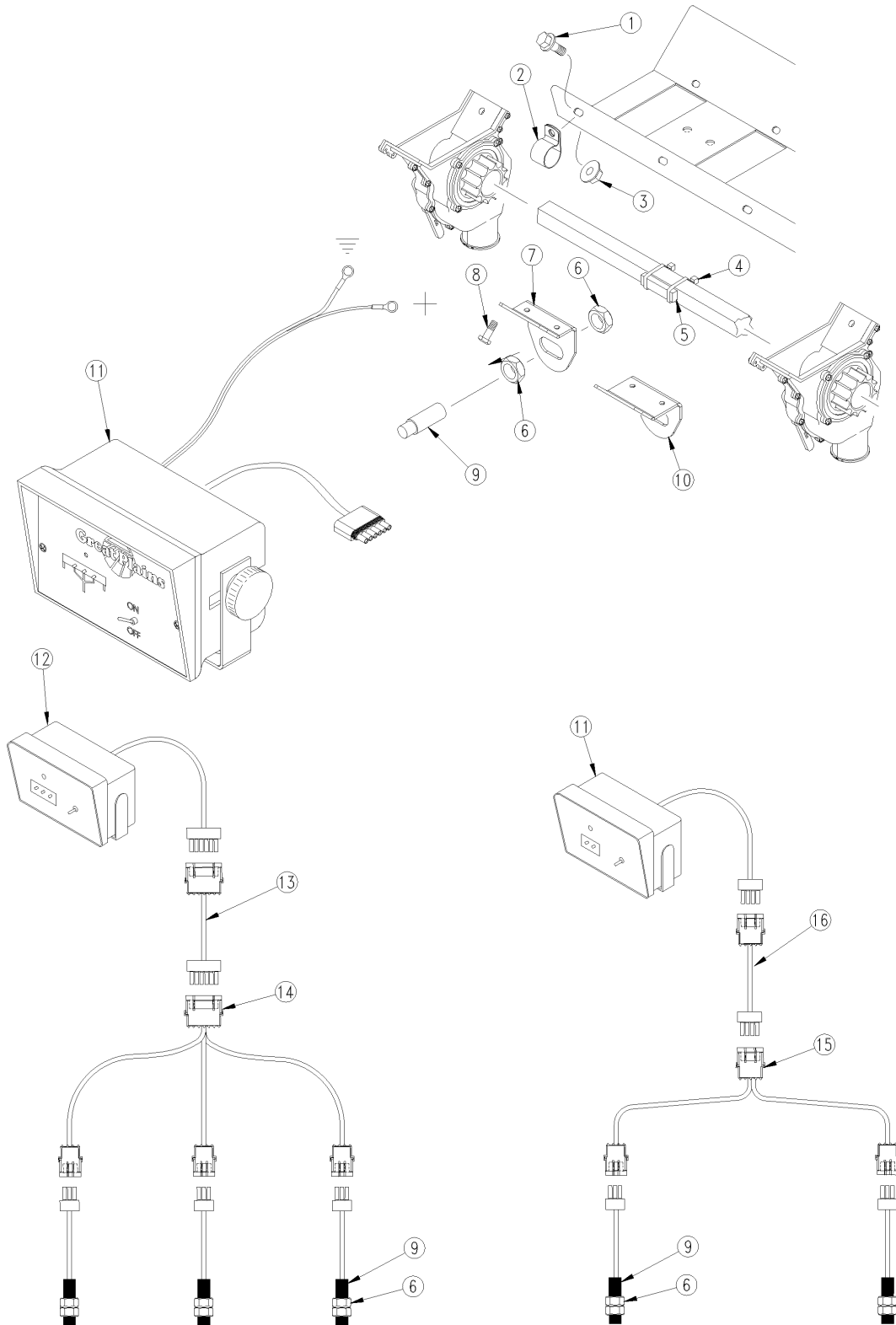
(Applies to 3S-4010HD, 3S-4010HDF only)

Ref	Part No.	Part Description	Comments	Revision
	dwg20462	Image No.		
1.	803-008C	NUT HEX 5/16-18 PLT		
2.	804-009C	WASHER LOCK SPRING 5/16 PLT		
3.	804-010C	WASHER FLAT 5/16 USS PLT		
4.	802-014C	HHCS 3/8-16X3/4 GR5		
5.	804-013C	WASHER LOCK SPRING 3/8 PLT		
6.	804-012C	WASHER FLAT 3/8 SAE PLT		
7.	802-007C	HHCS 5/16-18X3/4 GR5		
8.	800-003C	SNAP RING EXT 17 MM		
9.	822-008C	BEARING ADJ HANDLE 6203 2RS		
10.	804-001C	WASHER ADJ HANDLE BRG		
11.	175-243H	8FT EW SEED RATE ADJ HANDLE		
12.	804-021C	WASHER FLAT 5/8 SAE PLT		
13.	804-040C	WASHER MACH 1.00 X .625 X 18GA		
14.	109-069D	ADJUSTMENT HANDLE PIVOT		
15.	805-016C	PIN COTTER 3/16 X 1 1/4 PLT		
16.	803-016C	NUT WING 1/2-13 PLT		
17.	109-025H	ADJ LOCK PLATE ASS'Y - 1 1/2 W		
18.	801-001C	SCREW RD HD 8-32 X 3/8 BRASS		
19.	804-003C	WASHER FLAT #8 BRASS		
20.	819-109C	REAR SEED ADJ GUIDE 6 3/4 LONG		
21.	118-880H	3N-40 SEED RATE ADJ WLDMNT		
22.	804-002C	WASHER INTERNAL STAR #8 BRASS		
23.	803-035C	NUT HEX 8-32 BRASS		
24.	803-088C	NUT HEX LOCK 1/4-20 FLG		
25.	802-196C	HFSS 1/4-20X5/8 GR5		
26.	817-087C	1 3/4 WIDE FEEDER CUP PLUG		

[Table of Contents](#) [Part Number Index](#)

Loup Shaft Monitor (2 Channel 116-282A) (3 Channel 116-283A)

(Applies to 3S-4010HD, 3S-4010HDF only)



34220

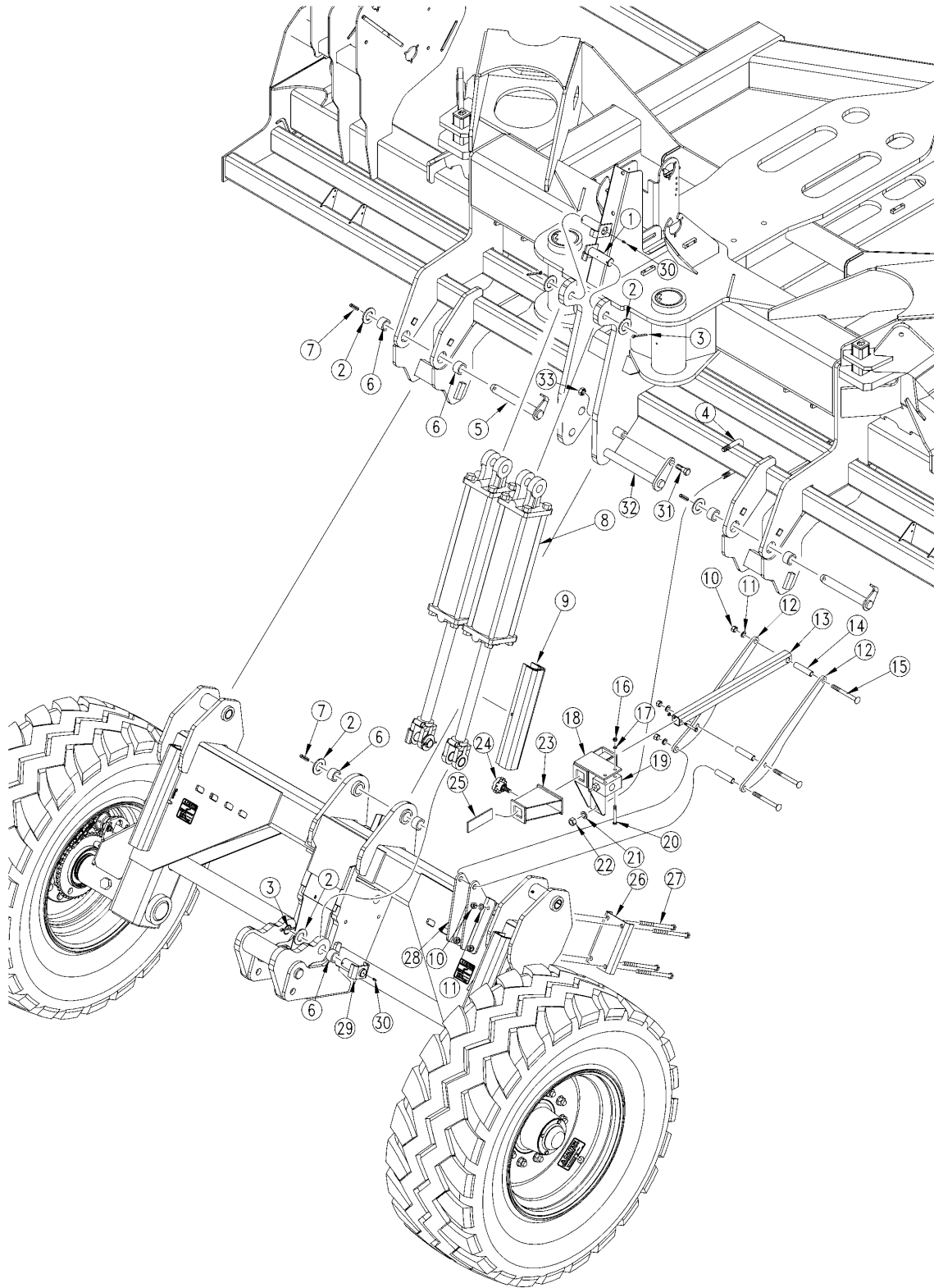
Loup Shaft Monitor (2 Channel 116-282A) (3 Channel 116-283A)

(Applies to 3S-4010HD, 3S-4010HDF only)

Ref	Part No.	Part Description	Comments	Revision
	dwg34220	Image No.		
1.	802-257C	HFSS 1/4-20X3/4 GR5		
2.	800-052C	HOSE CLIP 5/8 I.D.		
3.	803-088C	NUT HEX LOCK 1/4-20 FLG		
4.	770026	CABLE TIE, NYLON		
5.	540017	MAGNET, ADHESIVE BACKED, LARGE		
6.	710425	NUT HEX JAM, PLASTIC M16 X 2		
7.	116-019D	SHAFT SENSOR MOUNT		
8.	801-199C	SCR SELF TAP #10 X 3/4		
9.	253100	LOUP SHAFT SENSOR 2&3 CHANNEL		
10.	116-020D	SMALL CUP SENSOR MOUNT		
11.	253017	LOUP 3 CHANNEL SHAFT MONITOR		
12.	253016	LOUP 2 CHANNEL SHAFT MONITOR		
13.	833-595C	SHAFT MONITOR EXT. 30' 6P WP		
14.	318951	HARNESS 3 SHAFT MONITOR LOUP		
15.	253017	LOUP 3 CHANNEL SHAFT MONITOR		
16.	833-596C	SHAFT MONITOR EXT. 25' 4P WP		
17.	318917	HARNESS 2 SHAFT MONITOR LOUP		

Rockshaft to Frame

(Applies to 3S-4010HD, 3S-4010HDF only)



29071

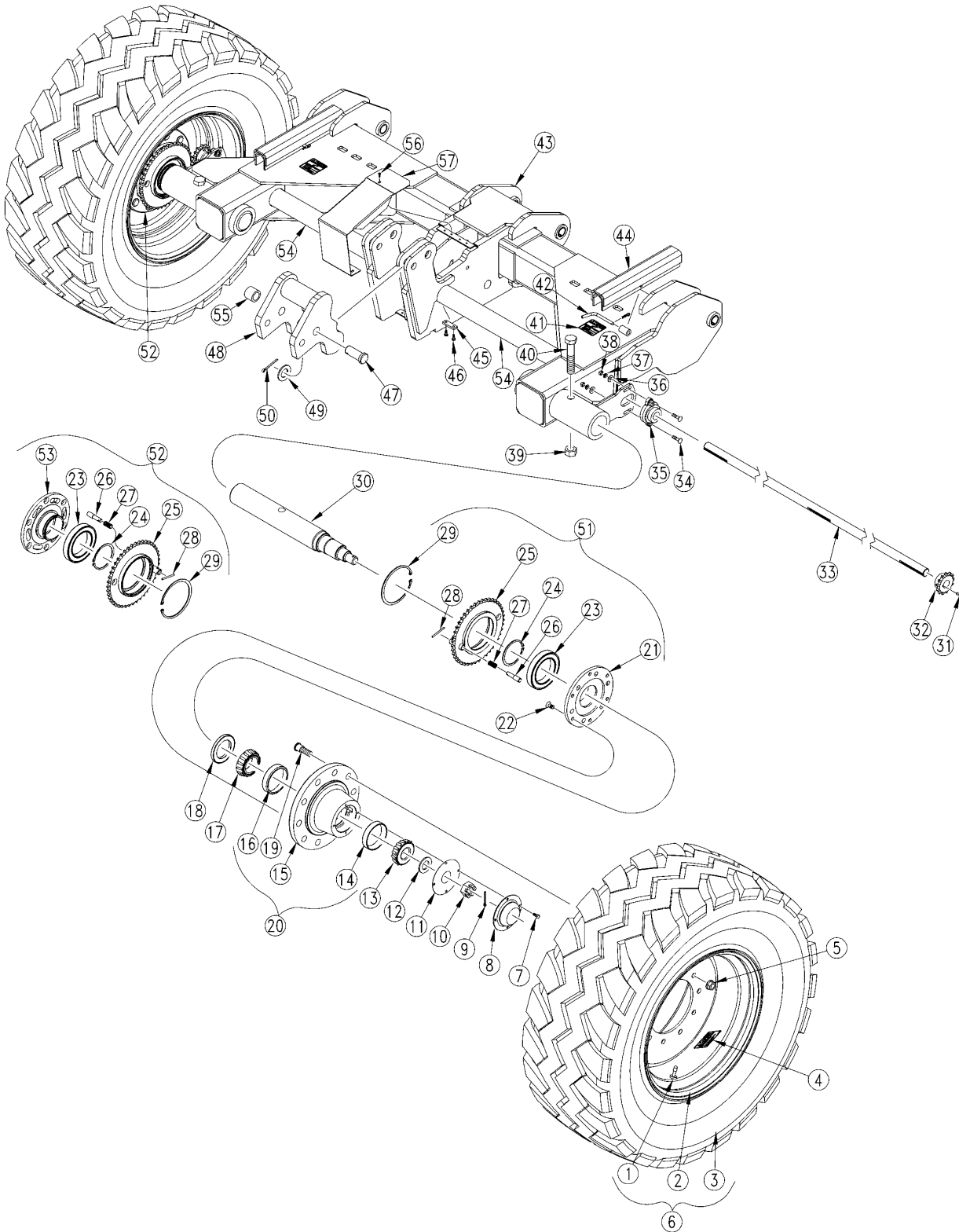
Rockshaft to Frame

(Applies to 3S-4010HD, 3S-4010HDF only)

Ref	Part No.	Part Description	Comments	Revision
	dwg29071	Image No.		
1.	196-391H	CYL PIN NR 1.25X3.72USBX3.13CH		
2.	804-039C	WASHER FLAT 1 1/4 SAE PLT		
3.	805-105C	PIN COTTER 1/4 X 2 1/2 PLT		
4.	806-019C	U-BOLT 5/8-11 X 4 1/32 X 3 3/8		
5.	196-288H	40P ROCKSHAFT PIN WELDMENT		
6.	890-122C	BUSHING 1 1/2 X 1 1/4 X 1 1/2		
7.	805-249C	PIN ROLL 3/8 X 2 PLT		
8.	810-496C	CYL REP 5X16X1.5 ROD (TIE)		
9.	196-289H	CYLINDER LOCK CHANNEL 1 1/2X16		
10.	803-020C	NUT HEX 1/2-13 PLT		
11.	804-015C	WASHER LOCK SPRING 1/2 PLT		
12.	196-904D	DEPTH STOP CURVED LINK PLATE		
13.	804-013C	WASHER LOCK SPRING 3/8 PLT		
14.	196-906D	TUBE RND CREW 3/4ODX12GX3.25		
15.	802-463C	RHSNB 1/2-13X5 GR5		
16.	803-014C	NUT HEX 3/8-16 PLT		
17.	804-013C	WASHER LOCK SPRING 3/8 PLT		
18.	196-381H	DEPTH VALVE MOUNT		
19.	810-503C	VALVE, STROKE CTRL 35 GPM -12		
20.	802-216C	HHCS 3/8-16X2 3/4 GR5		
21.	804-022C	WASHER LOCK SPRING 5/8 PLT		
22.	803-021C	NUT HEX 5/8-11 PLT		
23.	196-298H	STROKE CONTROL PADDLE WLDMT		
24.	817-455C	KNOB 1/2-13 MALE THD 2 3/8OD		
25.	196-911D	BAR FLT HR 3/16X1 3/4X4.88		
26.	296-052D	DEPTH STOP BOLT PLATE		
27.	802-289C	HHCS 1/2-13X8 GR5		
28.	196-907D	DEPTH STOP TUBE BRACKET		
29.	196-409H	CYL PIN NR 1.25X3.09X2.63 W/GR		
30.	800-001C	GREASE ZERK STRAIGHT 1/4-28		
31.	802-151C	HHCS 5/8-11X4 1/4 GR5		
32.	196-474H	3N40HD ROCKSHAFT PIN WELDMENT		
33.	803-148C	NUT HEX NYLOCK 5/8-11 PLT		

Rockshaft

(Applies to 3S-4010HD, 3S-4010HDF only)



29022

Rockshaft

(Applies to 3S-4010HD, 3S-4010HDF only)

Ref	Part No.	Part Description	Comments	Revision
	dwg29022	Image No.		
1.	816-202C	VALVE STEM TR618AX.625X1.88LG		
2.	814-353C	WHEEL 22.5X13 10 BOLT 0 OFFSET		
3.	814-352C	TIRE 18-22.5 NHS 16 PLY		
4.	848-147C	DECAL CAUTION TIRE 85 PSI /265		
5.	803-183C	NUT HEX FLANGE 3/4-16 PLT		
6.	196-459K	TIRE/WHL 18-22.5 NHS 10 BOLT		
7.	802-007C	HHCS 5/16-18X3/4 GR5		
8.	GKN-P502016	HUB CAP GKN ARMSTRONG		
9.	805-060C	PIN COTTER 7/32 X 2		
10.	803-175C	NUT HEX SLOTTED 1 1/4-12 PLAIN		
11.	GKN-P602150	RUBBER GASKET GKN ARMSTRONG		
12.	GKN-P301808	SPINDLE WASHER GKN ARMSTRONG		
13.	822-047C	BRG CONE 1.75IDX1.15WD #460		
14.	822-051C	BRG CUP 4.25ODX.87WD #453A		
15.	GKN-L871401-10	HUB 10-BOLT MACHINED CASTING		
16.	822-052C	BRG CUP 4.43ODX.93WD #39520		
17.	822-204C	BRG CONE 2.50ID #39585		
18.	GKN-P602128	GREASE SEAL GKN ARMSTRONG		
19.	802-171C	HUB STUD 3/4-16X2 9/16 GR5		
20.	815-188C	HUB ASSY 10 BOLT 12000#	Includes items 14,15,16 & 19	
21.	196-496H	LOCKOUT HUB WELDMENT LH DRIVE		
22.	801-210C	HSFCHCS 1/2-20 X 1 GR5		
23.	822-224C	BRG BALL 100IDX150ODX24W		
24.	800-247C	SNAP RING EXT 3.938		
25.	196-498H	LOCKOUT SPROCKET WELDMENT		
26.	296-107D	LOCKOUT PLUNGER		
27.	807-281C	SPRING COMP .625OD .055W 1.25L		
28.	805-062C	PIN ROLL 3/16 X 2 1/2 LG. PTL.		
29.	800-248C	SNAP RING INT 6.000		
30.	815-297C	3N40 HD SPINDLE 10 BOLT 12000#		
31.	168-276D	KEY 1/4 X 1/4 X 1 1/4 LG		
32.	808-401C	SPKT 60B13 1 1/4 BORE W/KW&SS		
33.	296-078D	1 1/4 LOWER DRIVE SHAFT		
34.	802-453C	RHSNB 3/8-16X1 1/2 GR5		
35.	822-242C	BEARING 1 1/4 ID 2 BOLT FLANGE		
36.	804-011C	WASHER FLAT 3/8 USS PLT		
37.	804-013C	WASHER LOCK SPRING 3/8 PLT		
38.	803-014C	NUT HEX 3/8-16 PLT		
39.	803-316C	NUT HEX SIDE LOCK 1-8 PLT		
40.	802-205C	HHCS 1-8X5 1/2 GR5		
41.	818-398C	DECAL CAUTION TIRES NOT A STEP		
42.	805-001C	PIN 3/8 X 3 USABLE LW/PIN		
43.	196-483H	3N40HD ROCKSHAFT WELDMENT		
44.	196-289H	CYLINDER LOCK CHANNEL 1 1/2X16		
45.	296-101D	SHIELD LOCK TAB		
46.	801-081C	SCREW HEX SELF TAP 1/4-20X3/4		
47.	805-120C	PIN CLEVIS 1 1/4 X 3		
48.	196-492H	ROCKSHAFT FLOATING LUG WELDMT		
49.	804-039C	WASHER FLAT 1 1/4 SAE PLT		
50.	805-105C	PIN COTTER 1/4 X 2 1/2 PLT		
51.	196-499S	LOCKOUT SPROCKET ASY LH DRIVE	Includes items 21, 23, 24, 25, 26, 27, 28, 29	
52.	196-500S	LOCKOUT SPROCKET ASY RH DRIVE	Includes items 23, 24, 25, 26, 27, 28, 29, 53	
53.	196-497H	LOCKOUT HUB WELDMENT RH DRIVE		
54.	296-022D	DRIVE SHAFT GUARD TUBE		
55.	890-011C	BUSHING SPINDLE 1 1/2X1 1/4X1		

Rockshaft (continued)

(Applies to 3S-4010HD, 3S-4010HDF only)

Ref	Part No.	Part Description	Comments	Revision
56.	801-151C	SCR HEX SELF TAP 1/4-20X1TYPEF		
57.	296-027D	CENTER DRIVE CHAIN UPPER COVER		

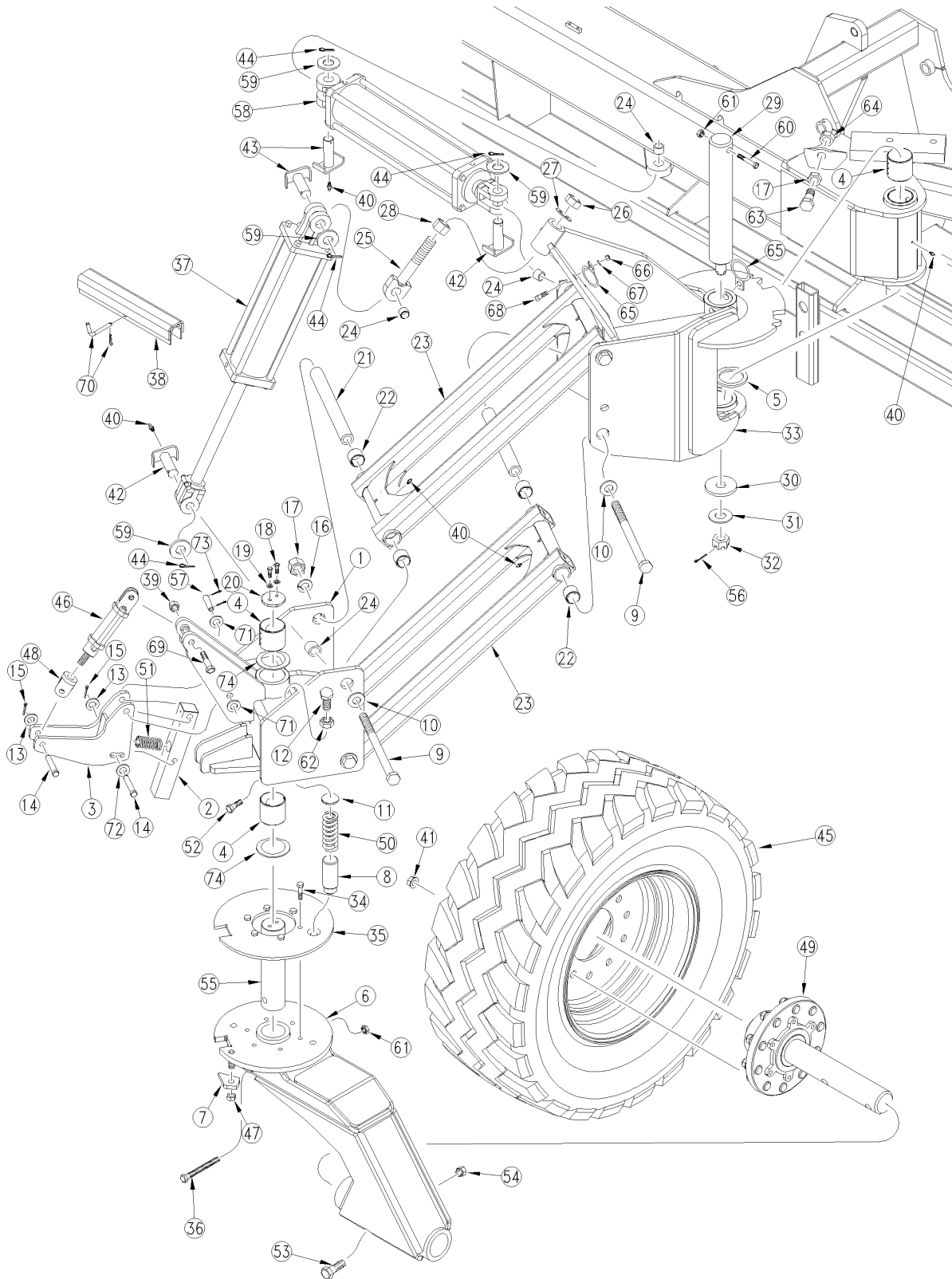
Rockshaft (continued)

(Applies to 3S-4010HD, 3S-4010HDF only)

This Page Intentionally Left Blank

Gauge Wheel

(Applies to 3S-4010HD, 3S-4010HDF only)



26410

Gauge Wheel

(Applies to 3S-4010HD, 3S-4010HDF only)

Ref	Part No.	Part Description	Comments	Revision
	dwg26410	Image No.		
1.	196-503H	40HD FRONT CASTER SUPPORT WLD		
2.	196-767D	CASTER LOCK LUG		
3.	196-376H	CASTER LOCK ARM EXTEND		
4.	890-976C	BUSHING 5X4 1/2X3 CONNEX		
5.	804-102C	PIVOT THRUST WASHER		
6.	196-510H	CASTER 40HD SINGLE LH FRONT	Shown	
6.	196-511H	CASTER 40HD SINGLE RH FRONT		
7.	196-768D	CASTER LOCK RAMP		
8.	196-770D	CASTER DETENT PIN		
9.	802-728C	HHCS 1-8X18 GR5		
10.	804-029C	WASHER FLAT 1 SAE		
11.	196-769D	CASTER SPRING PLUNGER		
12.	802-067C	HHCS 3/4-10X4 GR5 FTHD		
13.	804-021C	WASHER FLAT 5/8 SAE PLT		
14.	805-334C	PIN CLEVIS 5/8 X 3 1/2		
15.	805-109C	PIN COTTER 1/8 X 1 1/4 PLT		
16.	804-027C	WASHER LOCK SPRING 1 PLT		
17.	803-031C	NUT HEX 1-8 PLT		
18.	802-034C	HHCS 1/2-13X1 1/4 GR5		
19.	804-015C	WASHER LOCK SPRING 1/2 PLT		
20.	296-140D	4 1/2 CASTER RETAINER CAP		
21.	196-654D	40P CASTER INNER PIVOT TUBE		
22.	890-666C	BUSHING 1 7/8X1 5/8X1 1/2 SPLT		
23.	196-256H	CASTER PARALLEL ARM WELDMENT		
24.	890-011C	BUSHING SPINDLE 1 1/2X1 1/4X1		
25.	196-293H	EYEBOLT WELDMENT		
26.	803-063C	NUT HEX JAM 1 1/2-6 PLT		
27.	804-197C	WASHER LOCK 1 1/2 PLT		
28.	803-073C	NUT HEX 1 1/2-6 PLT		
29.	196-653D	40P GW SWIVEL PIN		
30.	197-001D	BOX HINGE PIVOT WASHER		
31.	804-035C	WASHER FLAT 1 1/4 USS PLT		
32.	803-079C	NUT HEX SLOTTED 1 1/4 - 7		
33.	196-442H	3N40 HD CASTER SWIVEL MOUNT RH		
33.	196-443H	3N40 HD CASTER SWIVEL MOUNT LH	Shown	
34.	802-874C	HSFCHCS 1/2-13X2 GR8 PLT		
35.	296-136D	40HD CASTER LOCK PLATE LH HARD	Shown	
35.	296-137D	40HD CASTER LOCK PLATE RH HARD		
36.	802-761C	HHCS 3/4-10X12 GR5 PLT		
37.	810-497C	CYL REP 4.75X16X1.5 ROD (TIE)		
38.	196-289H	CYLINDER LOCK CHANNEL 1 1/2X16		
39.	803-148C	NUT HEX NYLOCK 5/8-11 PLT		
40.	800-001C	GREASE ZERK STRAIGHT 1/4-28		
41.	803-183C	NUT HEX FLANGE 3/4-16 PLT		
42.	196-409H	CYL PIN NR 1.25X3.09X2.63 W/GR		
43.	196-392H	CYL PIN NR 1.25X3.63USBX3.13CH		
44.	805-105C	PIN COTTER 1/4 X 2 1/2 PLT		
45.	196-459K	TIRE/WHL 18-22.5 NHS 10 BOLT	Refer to Rockshaft for Breakdown	
46.	810-201C	CYL 1.5X2.5X.75 ROD (TIE ROD)		
47.	803-181C	NUT HEX FLANGE LOCK 3/4-10 PLT		
48.	810-491C	MIDWAY ROD CLEVIS 3/4-16 UNF		
49.	196-460K	3N40HD 10 BOLT HUB AND SPINDLE	Refer to Rockshaft for Breakdown	
50.	807-143C	SPRING COMP 1.88OD x .362W		
51.	807-212C	SPRING COMP 1.4OD .162W 3LG		
52.	802-300C	HHCS 1/4-28X3/8 GR5		
53.	802-205C	HHCS 1-8X5 1/2 GR5		
54.	803-316C	NUT HEX SIDE LOCK 1-8 PLT		

Gauge Wheel (continued)

(Applies to 3S-4010HD, 3S-4010HDF only)

Ref	Part No.	Part Description	Comments	Revision
55.	296-138D	4 1/2 CASTER VERTICAL SHAFT		
56.	805-085C	PIN COTTER 5/16 X 2 1/2		
57.	805-230C	PIN 3/4 X 4 13/32 USEABLE		
58.	810-500C	CYL REP 5X20X2 ROD (TIE)		
59.	804-039C	WASHER FLAT 1 1/4 SAE PLT		
60.	802-594C	HHCS 3/4-10X5 1/2 GR5		
61.	803-026C	NUT LOCK 3/4-10 PLT		
62.	803-048C	NUT HEX JAM 3/4-10 PLT		
63.	802-368C	HHCS 1-8X3 GR5		
64.	803-030C	NUT HEX JAM 1-8 PLT		
65.	160-018H	HOSE LOOP 2 5/8 WITH TAB		
66.	803-021C	NUT HEX 5/8-11 PLT		
67.	804-022C	WASHER LOCK SPRING 5/8 PLT		
68.	802-053C	HHCS 5/8-11X1 3/4 GR5		
69.	802-062C	HHCS 5/8-11X5 GR5		
70.	805-001C	PIN 3/8 X 3 USABLE LW/PIN		
71.	804-025C	WASHER FLAT 3/4 SAE PLT		
72.	804-040C	WASHER MACH 1.19 X .63 X 18GA		
73.	805-017C	PIN COTTER 3/16 X 1 3/4 PLT		
74.	296-139D	4 1/2 PIVOT THRUST WASHER		

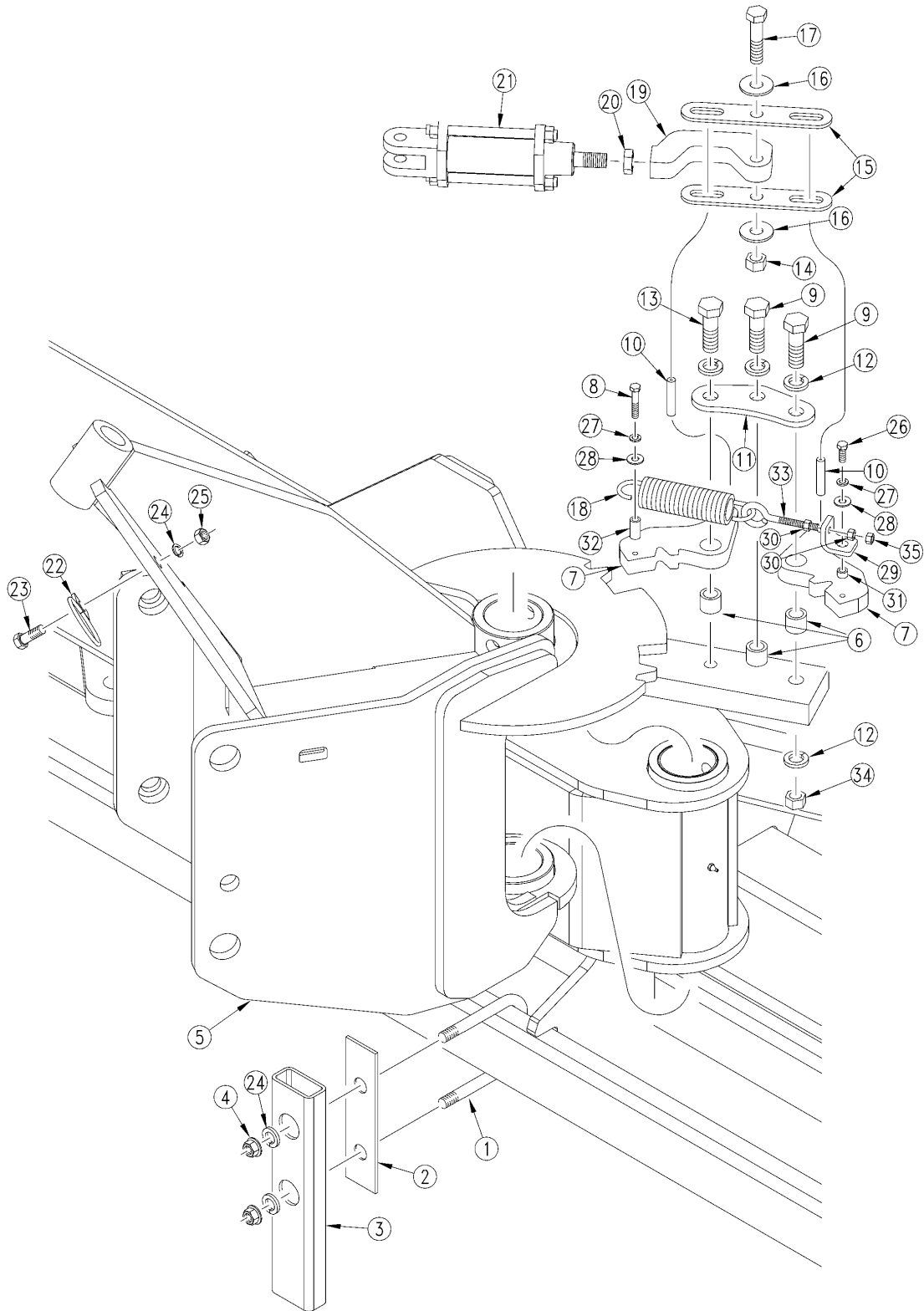
Gauge Wheel (continued)

(Applies to 3S-4010HD, 3S-4010HDF only)

This Page Intentionally Left Blank

Gauge Wheel Striker Plate

(Applies to 3S-4010HD, 3S-4010HDF only)



27059

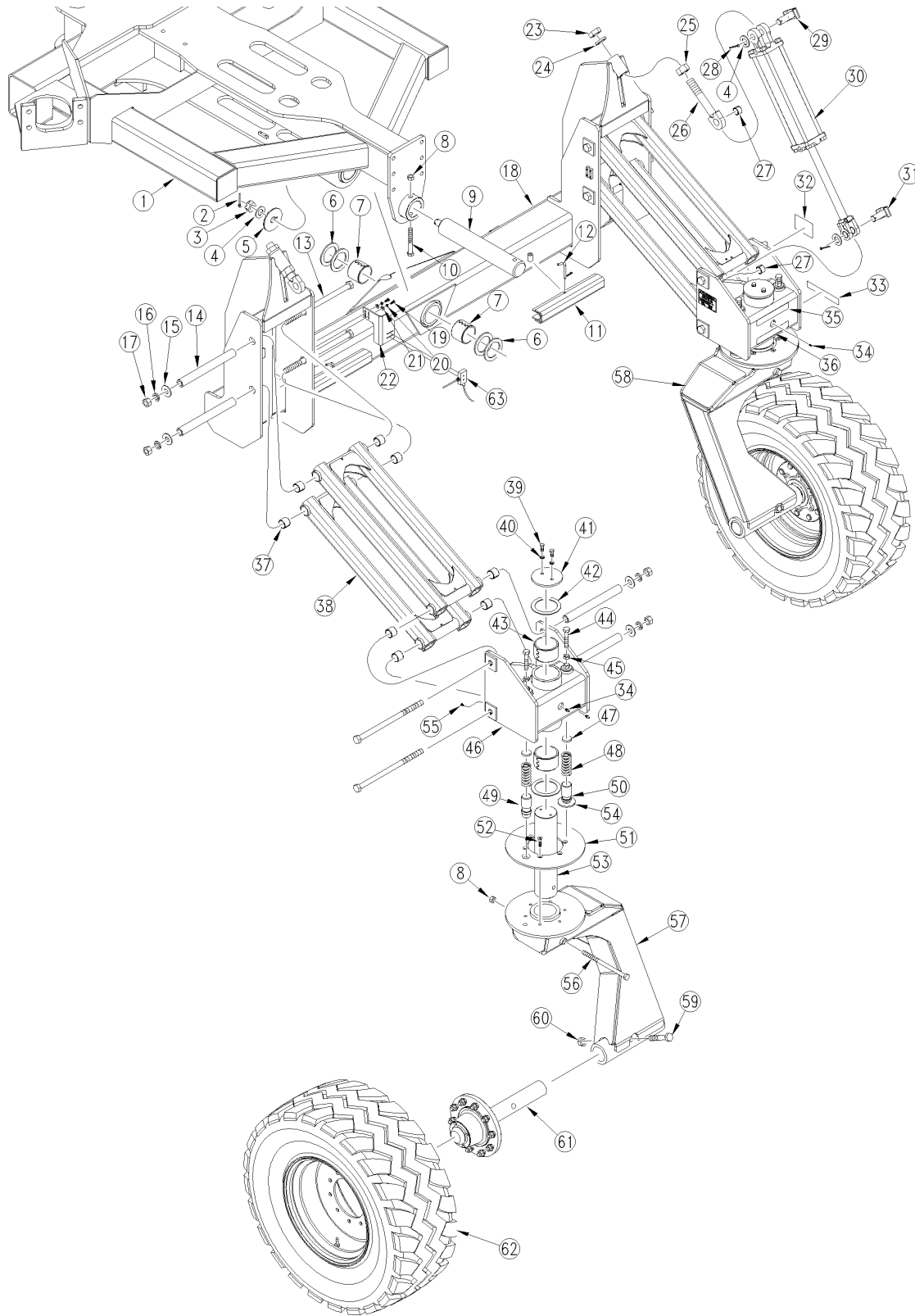
Gauge Wheel Striker Plate

(Applies to 3S-4010HD, 3S-4010HDF only)

Ref	Part No.	Part Description	Comments	Revision
	dwg27059	Image No.		
1.	806-019C	U-BOLT 5/8-11 X 4 1/32 X 3 3/8		
2.	196-782D	TONGUE SPACER SHIM		
3.	196-800D	WING RUB BLOCK		
4.	803-021C	NUT HEX 5/8-11 PLT		
5.	196-442H	3N40 HD CASTER SWIVEL MOUNT RH		
5.	196-443H	3N40 HD CASTER SWIVEL MOUNT LH	Shown	
6.	196-891D	TUBE RND 1 1/4ODX3/16X1.05		
7.	196-856D	GW SWIVEL LOCK LUG		
8.	802-143C	HHCS 3/8-16X2 GR5		
9.	802-546C	HHCS 7/8-9X5 GR5		
10.	805-037C	PIN SPIROL 1/2X2 1/2 PLAIN		
11.	196-859D	GW SWIVEL LOCK SPREADER LINK		
12.	804-037C	WASHER LOCK SPRING 7/8 PLT		
13.	802-275C	HHCS 7/8-9X2 3/4 GR8		
14.	803-024C	NUT LOCK 5/8-11 PLT		
15.	196-858D	GW SWIVEL LOCK SLOT LINK		
16.	804-019C	WASHER FLAT 5/8 USS PLT		
17.	802-281C	HHCS 5/8-11X2 3/4 GR5		
18.	807-113C	SPRING EXT 1 7/8ODX8 3/8X.25W		
19.	196-857D	GW SWIVEL LOCK CYL ROD PLT		
20.	803-235C	NUT HEX JAM 3/4-16 UNF PLT		
21.	810-201C	CYL 1.5X2.5X.75 ROD (TIE ROD)	Refer to "Hydraulic Cylinder (810-201C 1.5 x 2.5 x .75 Rod)" for breakdown	
22.	160-018H	HOSE LOOP 2 5/8 WITH TAB		
23.	802-053C	HHCS 5/8-11X1 3/4 GR5		
24.	804-022C	WASHER LOCK SPRING 5/8 PLT		
25.	803-021C	NUT HEX 5/8-11 PLT		
26.	802-017C	HHCS 3/8-16X1 GR5		
27.	804-013C	WASHER LOCK SPRING 3/8 PLT		
28.	804-011C	WASHER FLAT 3/8 USS PLT		
29.	196-889D	SPRING ANCHOR ANGLE		
30.	803-014C	NUT HEX 3/8-16 PLT		
31.	402-037D	SLEEVE IDLER PIVOT		
32.	123-320D	BOX MOUNTING TUBE		
33.	802-674C	CLOSED EYE BOLT 3/8-16X4 1/2		
34.	803-049C	NUT HEX 7/8-9 PLT		
35.	803-078C	NUT LOCK 3/8-16 NYLON INSERT		

Rear Axle Assembly

(Applies to 3S-4010HD, 3S-4010HDF only)



29073

Rear Axle Assembly

(Applies to 3S-4010HD, 3S-4010HDF only)

Ref	Part No.	Part Description	Comments	Revision
	dwg29073	Image No.		
1.	196-480H	3N40HD CENTER FRAME WELDMENT		
2.	805-085C	PIN COTTER 5/16 X 2 1/2		
3.	803-079C	NUT HEX SLOTTED 1 1/4 - 7		
4.	804-039C	WASHER FLAT 1 1/4 SAE PLT		
5.	196-774D	PIVOT PIN RETAINER WASHER		
6.	196-775D	SPACER WASHER		
7.	890-800C	BUSHING 4.0X3.5X3.0 LONG SPLIT		
8.	803-026C	NUT LOCK 3/4-10 PLT		
9.	196-652D	40P TOOLBAR PIVOT PIN		
10.	802-070C	HHCS 3/4-10X6 GR5		
11.	196-292H	CYL LOCK CHANNEL 1 1/2X17 3/4		
12.	805-001C	PIN 3/8 X 3 USABLE LW/PIN		
13.	802-728C	HHCS 1-8X18 GR5		
14.	196-654D	40P CASTER INNER PIVOT TUBE		
15.	804-028C	WASHER FLAT 1 USS PLT		
16.	804-027C	WASHER LOCK SPRING 1 PLT		
17.	803-031C	NUT HEX 1-8 PLT		
18.	196-482H	3N40HD REAR AXLE WELDMENT		
19.	802-007C	HHCS 5/16-18X3/4 GR5		
20.	804-009C	WASHER LOCK SPRING 5/16 PLT		
21.	804-010C	WASHER FLAT 5/16 USS PLT		
22.	401-795D	BRKT LIFT SWITCH 3PYP		
23.	803-063C	NUT HEX JAM 1 1/2-6 PLT		
24.	804-197C	WASHER LOCK 1 1/2 PLT		
25.	803-073C	NUT HEX 1 1/2-6 PLT		
26.	196-293H	EYEBOLT WELDMENT		
27.	890-011C	BUSHING SPINDLE 1 1/2X1 1/4X1		
28.	805-105C	PIN COTTER 1/4 X 2 1/2 PLT		
29.	196-392H	CYL PIN NR 1.25X3.63USBX3.13CH		
30.	810-498C	CYL REP 4.5X16X1.5 ROD (TIE)		
31.	196-409H	CYL PIN NR 1.25X3.09X2.63 W/GR		
32.	818-045C	DECAL WARNING PINCH PT/CRUSH		
33.	838-265C	DECAL REFLECTOR AMBER 1 1/2X9		
34.	800-001C	GREASE ZERK STRAIGHT 1/4-28		
35.	838-266C	DECAL REFLECTOR RED 1 1/2X9		
36.	838-267C	DECAL REFLECTR DAYTIME 1 1/2X9		
37.	890-666C	BUSHING 1 7/8X1 5/8X1 1/2 SPLT		
38.	196-256H	CASTER PARALLEL ARM WELDMENT		
39.	802-034C	HHCS 1/2-13X1 1/4 GR5		
40.	804-015C	WASHER LOCK SPRING 1/2 PLT		
41.	296-140D	4 1/2 CASTER RETAINER CAP		
42.	296-139D	4 1/2 PIVOT THRUST WASHER		
43.	890-976C	BUSHING 5X4 1/2X3 CONNEX		
44.	802-067C	HHCS 3/4-10X4 GR5 FTHD		
45.	803-048C	NUT HEX JAM 3/4-10 PLT		
46.	196-504H	40HD REAR RH CASTER SUPPORT WL		
47.	196-769D	CASTER SPRING PLUNGER		
48.	807-143C	SPRING COMP 1.88OD x .362W		
49.	196-770D	CASTER DETENT PIN		
50.	196-518H	CASTER PRESSURE PIN WELDMENT		
51.	296-135D	40HD REAR CASTER LOCK PLT HARD		
52.	802-874C	HSFCHCS 1/2-13X2 GR8 PLT		
53.	296-138D	4 1/2 CASTER VERTICAL SHAFT		
54.	817-825C	CASTER FRICTION PRESSURE DISK		
55.	802-300C	HHCS 1/4-28X3/8 GR5		
56.	802-761C	HHCS 3/4-10X12 GR5 PLT		
57.	196-513H	CASTER 40HD SINGLE RH REAR		

Rear Axle Assembly (continued)

(Applies to 3S-4010HD, 3S-4010HDF only)

Ref	Part No.	Part Description	Comments	Revision
58.	196-512H	CASTER 40HD SINGLE LH REAR		
59.	802-205C	HHCS 1-8X5 1/2 GR5		
60.	803-316C	NUT HEX SIDE LOCK 1-8 PLT		
61.	196-460K	3N40HD 10 BOLT HUB AND SPINDLE	Refer to Rockshaft for breakdown	
62.	196-459K	TIRE/WHL 18-22.5 NHS 10 BOLT	Refer to Rockshaft for breakdown	
63.	VER-28383	VERIS SPEED SNSR SWITHC HRNESS		

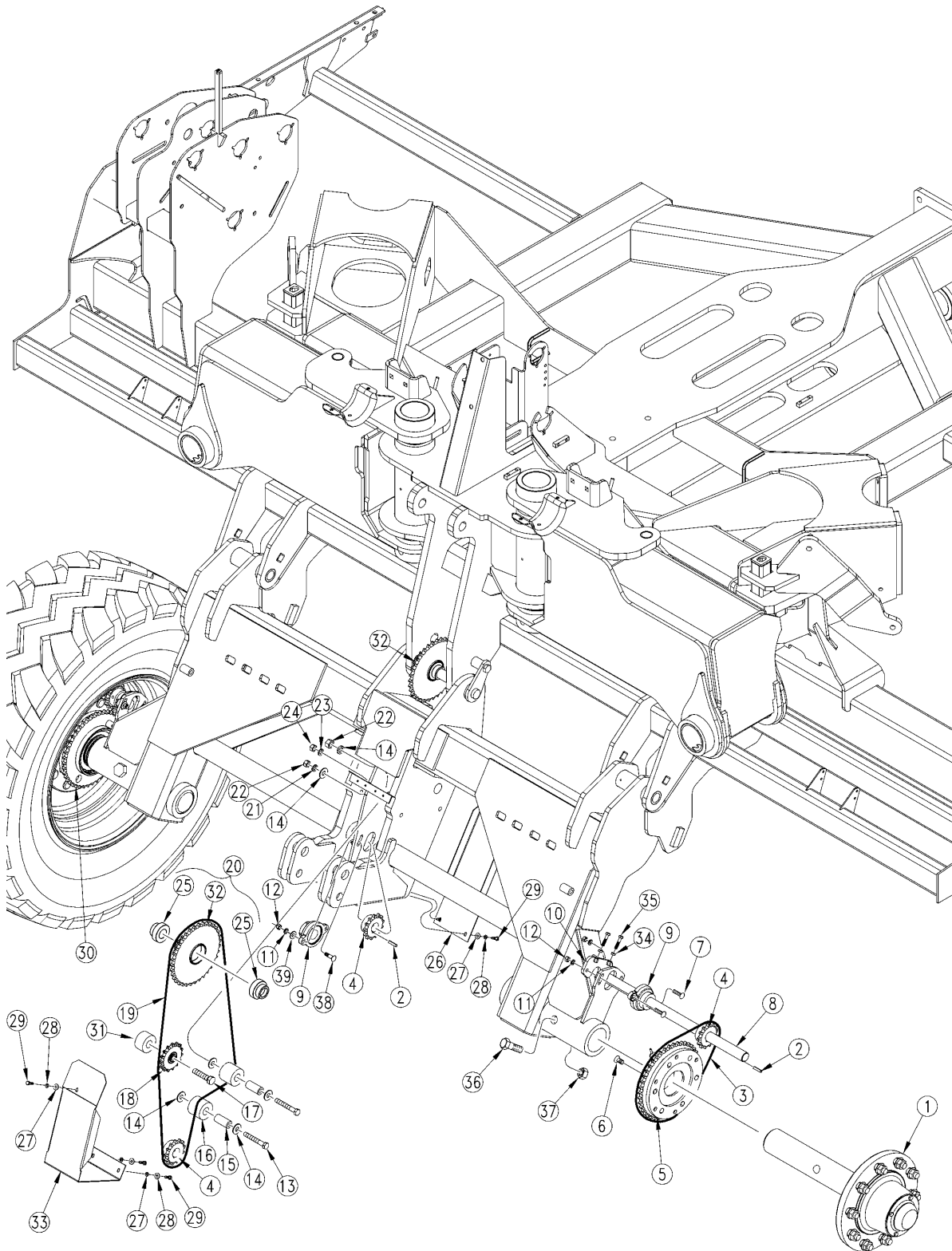
Rear Axle Assembly (continued)

(Applies to 3S-4010HD, 3S-4010HDF only)

This Page Intentionally Left Blank

Rockshaft Ground Drive

(Applies to 3S-4010HD, 3S-4010HDF only)



29123

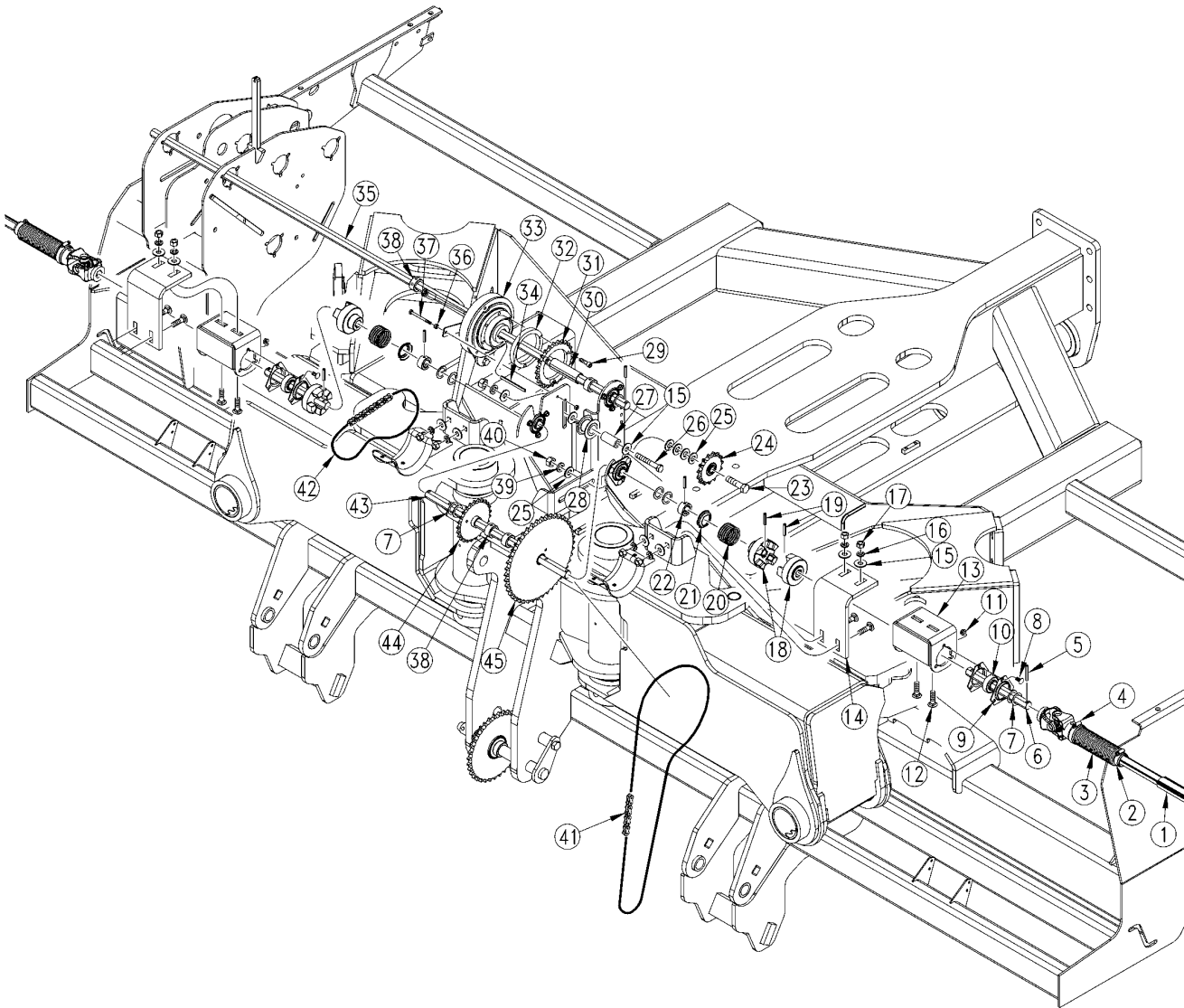
Rockshaft Ground Drive

(Applies to 3S-4010HD, 3S-4010HDF only)

Ref	Part No.	Part Description	Comments	Revision
	dwg29123	Image No.		
1.	196-460K	3N40HD 10 BOLT HUB AND SPINDLE		
2.	168-276D	KEY 1/4 X 1/4 X 1 1/4 LG		
3.	136-251D	CHAIN RL #60 50 PITCHES		
4.	808-401C	SPKT 60B13 1 1/4 BORE W/KW&SS		
5.	196-499S	LOCKOUT SPROCKET ASY LH DRIVE	Refer to Rockshaft for breakdown	
6.	801-210C	HSFCHCS 1/2-20 X 1 GR5		
7.	802-252C	RHSNB 3/8-16X1 3/4 GR5		
8.	296-078D	1 1/4 LOWER DRIVE SHAFT		
9.	822-242C	BEARING 1 1/4 ID 2 BOLT FLANGE		
10.	196-534H	BEARING SUPPORT PLATE		
11.	804-013C	WASHER LOCK SPRING 3/8 PLT		
12.	803-014C	NUT HEX 3/8-16 PLT		
13.	802-041C	HHCS 1/2-13X3 1/2 GR5		
14.	804-113C	WASHER FLAT 1/2 USS HARD PLT		
15.	120-306D	TUBE RND 1 OD X 7/32W X 2.13		
16.	817-804C	PLASTIC IDLER TUBE		
17.	802-259C	HHCS 5/8-18X2 3/4 GR5		
18.	808-400C	60C15 IDLER SPROCKET W/BEARING		
19.	136-255D	CHAIN RL #60 90 PITCHES		
20.	196-494S	IDLER BEARING ASSEMBLY	Include items 25 and 32	
21.	804-015C	WASHER LOCK SPRING 1/2 PLT		
22.	803-020C	NUT HEX 1/2-13 PLT		
23.	804-022C	WASHER LOCK SPRING 5/8 PLT		
24.	803-021C	NUT HEX 5/8-11 PLT		
25.	822-241C	BRG 1.25IDX2.44OD W/LOCK COLLR		
26.	296-161D	CENTER DRIVE CHAIN LOWER COVER		
27.	804-075C	WASHER FLAT 1/4 USS PLT		
28.	804-006C	WASHER LOCK SPRING 1/4 PLT		
29.	801-151C	SCR HEX SELF TAP 1/4-20X1TYPEF		
30.	196-500S	LOCKOUT SPROCKET ASY RH DRIVE	Refer to Rockshaft for breakdown	
31.	296-079D	TUBE 1 OD X 5/32 WL X 3/4		
32.	196-493H	DOUBLE SPROCKET IDLER		
33.	296-027D	CENTER DRIVE CHAIN UPPER COVER		
34.	803-060C	NUT HEX JAM 5/16-18 PLT.		
35.	802-179C	HHCS 5/16-18X1 1/2 FTHD G5		
36.	802-205C	HHCS 1-8X5 1/2 GR5		
37.	803-316C	NUT HEX SIDE LOCK 1-8 PLT		
38.	802-453C	RHSNB 3/8-16X1 1/2 GR5		
39.	804-011C	WASHER FLAT 3/8 USS PLT		

Drive

(Applies to 3S-4010HD, 3S-4010HDF only)



29128

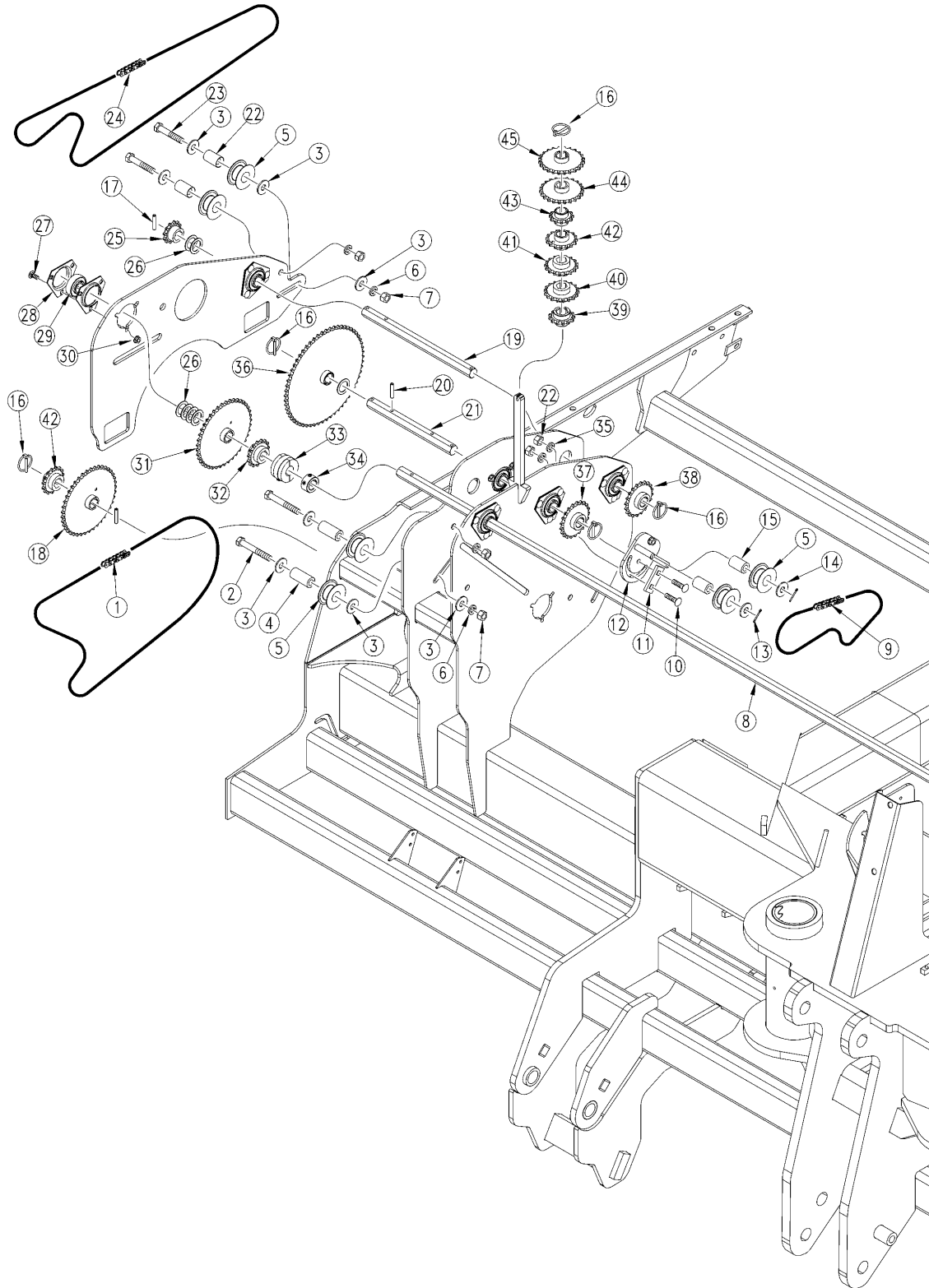
Drive

(Applies to 3S-4010HD, 3S-4010HDF only)

Ref	Part No.	Part Description	Comments	Revision
	dwg29128	Image No.		
1.	826-501C	DRIVESHAFT YP PLANTER		
2.	800-257C	CLAMP WRM DRV #20SS (.81-1.75)		
3.	816-547C	DRIVE SHAFT BELLOWS		
4.	800-125C	CLAMP WRM DRV#28 SS(1.31-2.25)		
5.	805-146C	PIN ROLL 1/4 X 2 LG PL		
6.	296-026D	BREAKAWAY DRIVE SHAFT		
7.	804-061C	WASHER MACH 1.50 X 1.00 X 18GA		
8.	802-092C	RHSNB 5/16-18X3/4 GR5		
9.	822-175C	FLANGETTE 52 3-BOLT PLT		
10.	822-119C	BRG 7/8HEXX2.05OD SPH		
11.	803-177C	NUT HEX FLG TP LK 5/16-18ZNYCR		
12.	802-331C	RHSNB 1/2-13X1 3/4 GR5		
13.	196-489H	BREAKAWAY DRIVE BRG MOUNT WLD		
14.	296-013D	BREAKAWAY DRIVE ADJ PLATE		
15.	804-113C	WASHER FLAT 1/2 USS HARD PLT		
16.	804-015C	WASHER LOCK SPRING 1/2 PLT		
17.	803-020C	NUT HEX 1/2-13 PLT		
18.	195-108D	BRKAWAY CLUTCH 7/8 HX SHORT BR		
19.	805-180C	PIN ROLL 1/4 X 1 1/2 LG PLT		
20.	807-097C	SPRING COMP 2 1/16 OD X 4 LG		
21.	176-066D	CLUTCH SPRING RETAINER		
22.	407-172D	7/8 HEX X 3/4 LNG SPKT SPACER		
23.	802-058C	HHCS 5/8-11X2 1/2 GR5		
24.	808-400C	60C15 IDLER SPROCKET W/BEARING		
25.	804-095C	WASHER FLAT 5/8 HARD ASTM F436		
26.	802-041C	HHCS 1/2-13X3 1/2 GR5		
27.	120-306D	TUBE RND 1 OD X 7/32W X 2.13		
28.	817-456C	IDLER SPOOL #50 2.38X1.01X1.31		
29.	802-775C	HSHCS M8X1.25X30 GR8.8 PLT		
30.	196-877D	BUSHING 1 1/8 ODX7/8 HEX BORE		
31.	808-357C	SPKT 50A25 CLUTCH METRIC BORE		
32.	196-876D	CLUTCH SPROCKET SPACER		
33.	823-231C	OGURA CLUTCH		
34.	839-956C	KEY 1/4 X 3/16 X 3.80		
35.	296-087D	SHAFT 7/8 HEX 75.19 LG		
36.	803-006C	NUT HEX 1/4-20 PLT		
37.	802-274C	HHCS 1/4-20X3 GR5		
38.	402-025S	LOCK COLLAR, 7/8 HEX W/ SET SC		
39.	804-022C	WASHER LOCK SPRING 5/8 PLT		
40.	803-021C	NUT HEX 5/8-11 PLT		
41.	136-256D	CHAIN RL #60 132 PITCHES		
42.	136-252D	CHAIN RL #50 53 PITCHES		
43.	296-102D	3N40HD CENTER CLUTCH SHAFT		
44.	808-309C	SPKT 50C25 X 7/8 HEX BORE		
45.	808-425C	SPKT 60B44 X 7/8 HEX W/2SS		

Center Section Fertilizer Drive

(Applies to 3S-4010HD, 3S-4010HDF only)



29187

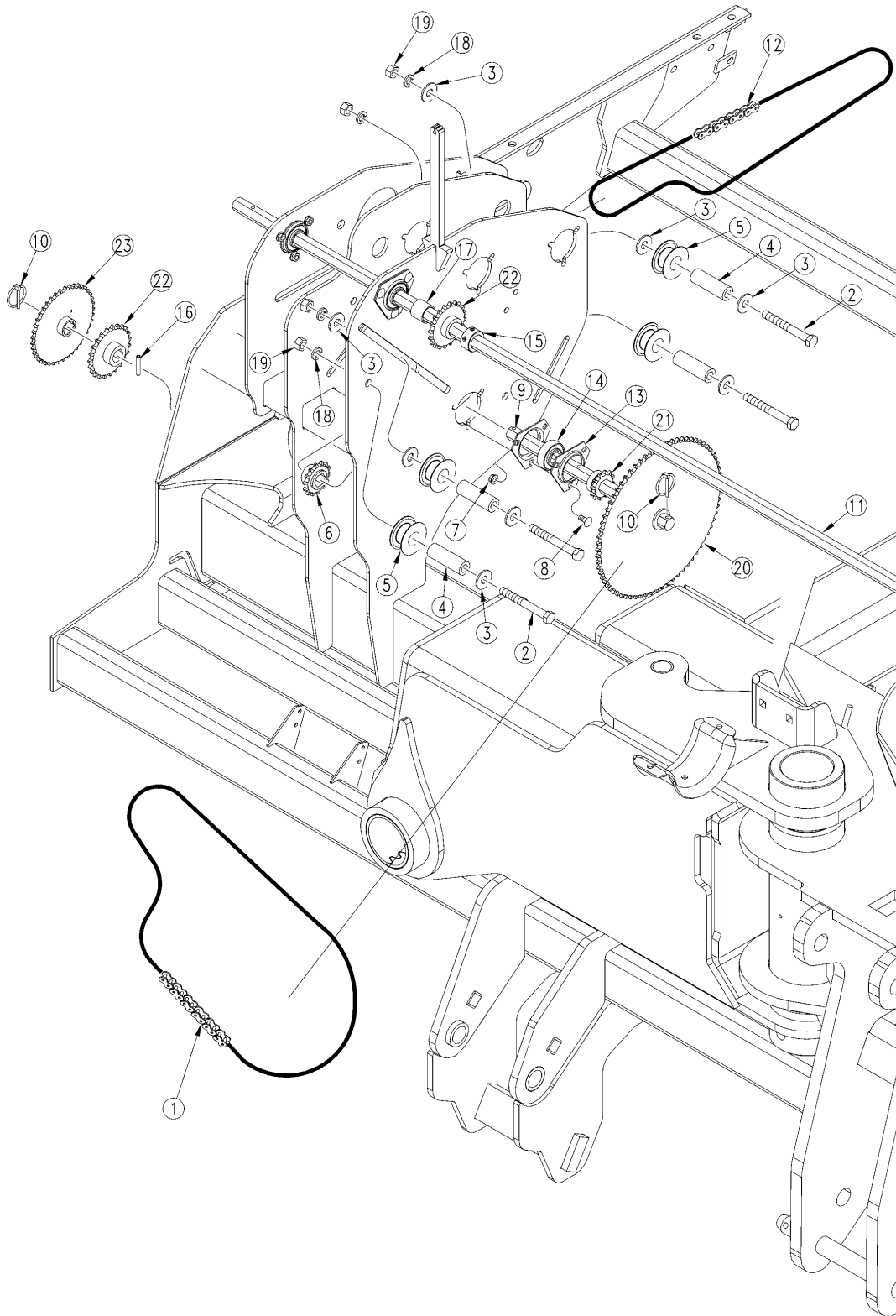
Center Section Fertilizer Drive

(Applies to 3S-4010HD, 3S-4010HDF only)

Ref	Part No.	Part Description	Comments	Revision
	dwg29187	Image No.		
1.	136-227D	CHAIN RL #40 86 PITCHES		
2.	802-041C	HHCS 1/2-13X3 1/2 GR5		
3.	804-113C	WASHER FLAT 1/2 USS HARD PLT		
4.	120-306D	TUBE RND 1 OD X 7/32W X 2.13		
5.	817-406C	IDLER 1 PC 2.38X1.01X1.062		
6.	804-015C	WASHER LOCK SPRING 1/2 PLT		
7.	803-020C	NUT HEX 1/2-13 PLT		
8.	296-089D	3N40HD LADDER MOUNT BRKT		
9.	136-093D	CHAIN RL #40 60 PITCHES		
10.	802-453C	RHSNB 3/8-16X1 1/2 GR5		
11.	402-242D	IDLER BOLT PLATE		
12.	402-126H	OFFSET DOUBLE IDLER WELDMENT		
13.	805-064C	PIN COTTER 7/64 X 1 LONG		
14.	804-017C	WASHER FLAT 1/2 USS PLT		
15.	120-305D	TUBE RND 1 OD X 7/32W X 1.56		
16.	805-240C	PIN LINCH 3/16 X 1 9/16 LONG		
17.	805-208C	PIN, ROLL 1/4 X 1 1/4 LONG		
18.	808-262C	SPKT 40C47 X 7/8 HEX BORE	Fertilizer Range Sprocket	
19.	296-024D	FERT TRANSMISSION REAR SHAFT		
20.	805-180C	PIN ROLL 1/4 X 1 1/2 LG PLT		
21.	296-023D	FERT TRANSMISSION FRONT SHAFT		
22.	803-014C	NUT HEX 3/8-16 PLT		
23.	802-226C	HHCS 1/2-13X2 3/4 GR5		
24.	136-121D	CHAIN RL #40 116 PITCHES		
25.	808-260C	SPKT 40B12 X 7/8 HEX BORE		
26.	804-061C	WASHER MACH 1.50 X 1.00 X 18GA		
27.	802-092C	RHSNB 5/16-18X3/4 GR5		
28.	822-175C	FLANGETTE 52 3-BOLT PLT		
29.	822-119C	BRG 7/8HEXX2.05OD SPH		
30.	803-177C	NUT HEX FLG TP LK 5/16-18ZNYCR		
31.	808-224C	SPKT 40C41 X 7/8 HEX BORE	Fertilizer Range Sprocket	
32.	808-147C	SPKT 40C15 X 7/8 HEX BORE	Fertilizer Range Sprocket	
33.	120-337S	SPLIT SPACER 1 ID X 1.25 THICK		
34.	402-025S	LOCK COLLAR, 7/8 HEX W/ SET SC		
35.	804-013C	WASHER LOCK SPRING 3/8 PLT		
36.	195-172H	SPKT 40C60 X 7/8 HEX BORE	Fertilizer Range Sprocket	
37.	808-222C	SPKT 40C21 X 7/8 HEX BORE	Fertilizer Transmission Sprocket	
38.	808-276C	SPKT 40C20 X 7/8 HEX BORE	Fertilizer Transmission Sprocket	
39.	407-150H	SPKT 40C13 X 7/8 HEX BORE	Fertilizer Transmission Sprocket	
40.	808-249C	SPKT 40C18 X 7/8 HEX BORE	Fertilizer Transmission Sprocket	
41.	808-148C	SPKT 40C17 X 7/8 HEX BORE	Fertilizer Transmission Sprocket	
42.	808-338C	SPKT 40C16 X 7/8 HEX BORE	Fertilizer Transmission Sprocket and Fertilizer Range Sprocket	
43.	808-219C	SPKT 40C12 X 7/8 HEX BORE	Fertilizer Transmission Sprocket	
44.	808-150C	SPKT 40C23 X 7/8 HEX BORE	Fertilizer Transmission Sprocket	
45.	808-151C	SPKT 40C24 X 7/8 HEX BORE	Fertilizer Transmission Sprocket	

Center Section Seeds Drive

(Applies to 3S-4010HD, 3S-4010HDF only)



29129

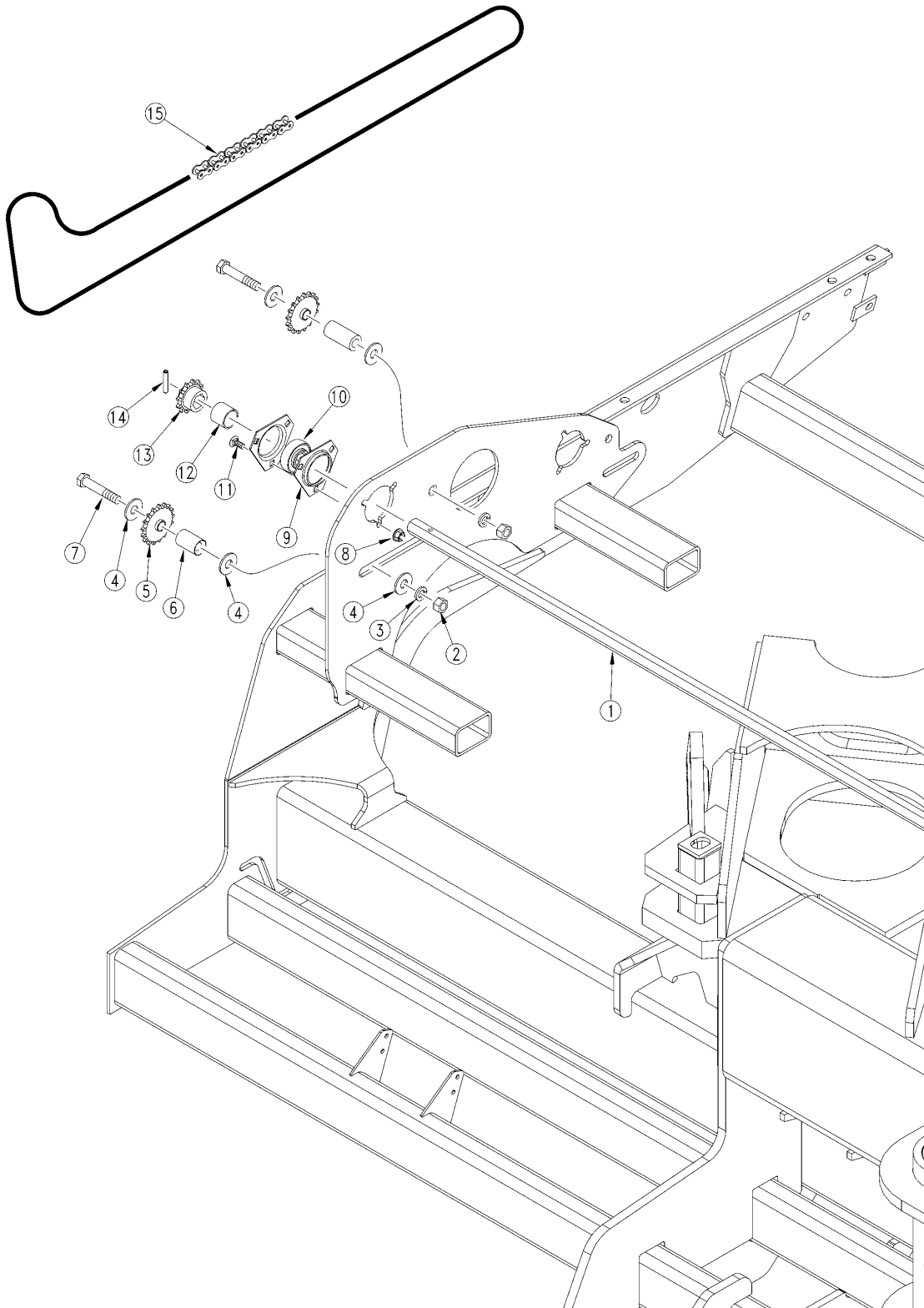
Center Section Seeds Drive

(Applies to 3S-4010HD, 3S-4010HDF only)

Ref	Part No.	Part Description	Comments	Revision
	dwg29129	Image No.		
1.	136-253D	CHAIN RL #40 114 PITCHES		
2.	802-311C	HHCS 1/2-13X4 1/4 GR5		
3.	804-113C	WASHER FLAT 1/2 USS HARD PLT		
4.	120-293D	TUBE RND DOM. 1 OD X 7/32WX3.0		
5.	817-406C	IDLER 1 PC 2.38X1.01X1.062		
6.	808-143C	SPKT 40B12 7/8 HEX BORE W/SS		
7.	803-177C	NUT HEX FLG TP LK 5/16-18ZNYCR		
8.	802-092C	RHSNB 5/16-18X3/4 GR5		
9.	296-025D	FEEDER CUP LOWER DRIVE SHAFT		
10.	805-240C	PIN LINCH 3/16 X 1 9/16 LONG		
11.	296-087D	SHAFT 7/8 HEX 75.19 LG		
12.	136-110D	CHAIN RL #40 100 PITCHES		
13.	822-175C	FLANGETTE 52 3-BOLT PLT		
14.	822-119C	BRG 7/8HEXX2.05OD SPH		
15.	402-025S	LOCK COLLAR, 7/8 HEX W/ SET SC		
16.	805-180C	PIN ROLL 1/4 X 1 1/2 LG PLT		
17.	296-100D	SPACER TUBE 1 ID X 1.06 PVC		
18.	804-015C	WASHER LOCK SPRING 1/2 PLT		
19.	803-020C	NUT HEX 1/2-13 PLT		
20.	808-258C	SPKT 40B72 X 7/8 HEX BORE	Seed Range Sprocket	
21.	808-259C	SPKT 40B14 X 7/8 HEX BORE	Seed Range Sprocket	
22.	808-256C	SPKT 40C23 X 7/8 HEX BORE	Seed Range Sprocket	
23.	808-257C	SPKT 40B34 X 7/8 HEX BORE	Seed Range Sprocket	

Center Section Small Seeds Drive

(Applies to 3S-4010HD, 3S-4010HDF only)



29134

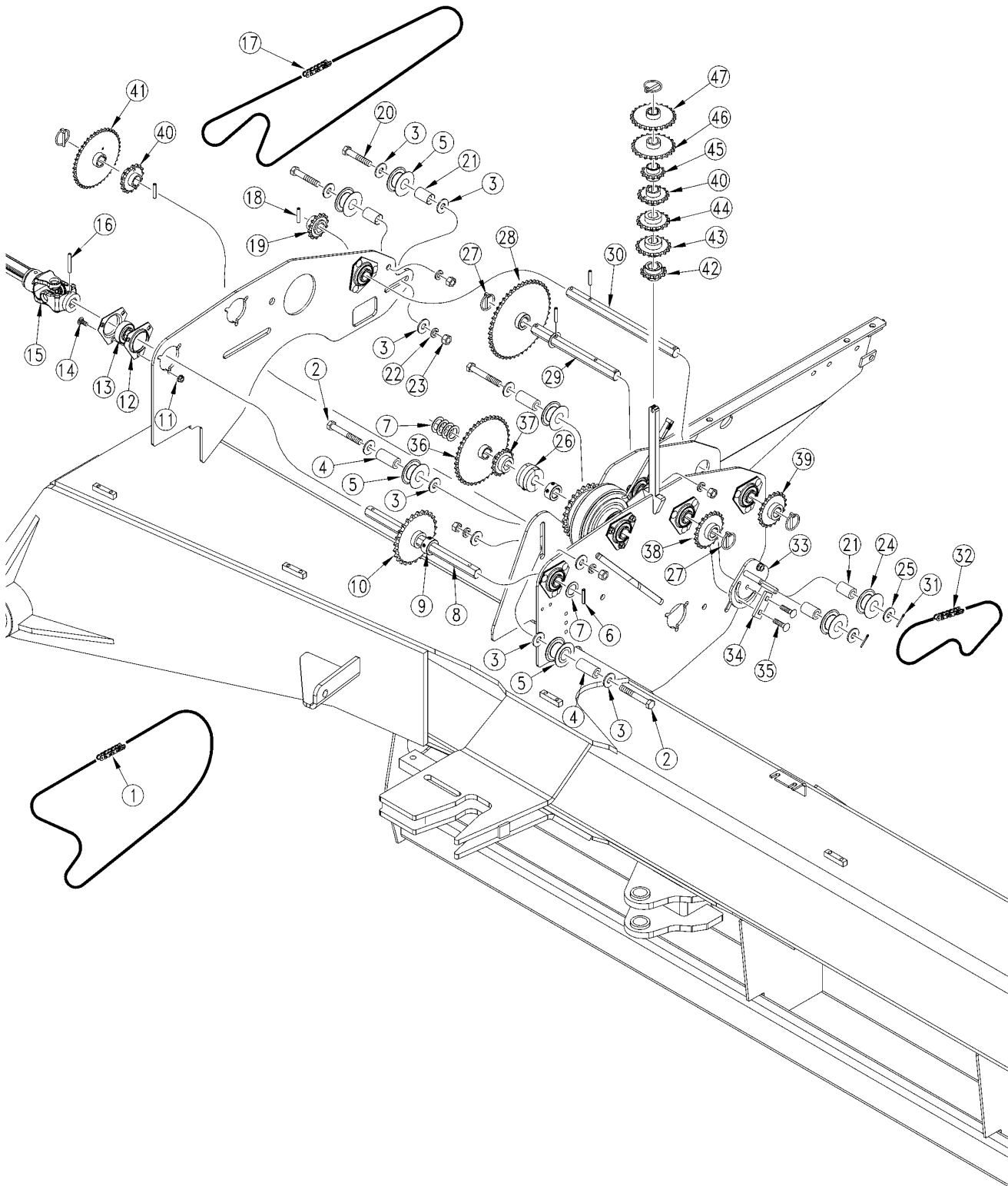
Center Section Small Seeds Drive

(Applies to 3S-4010HD, 3S-4010HDF only)

Ref	Part No.	Part Description	Comments	Revision
	dwg29134	Image No.		
1.	296-087D	SHAFT 7/8 HEX 75.19 LG		
2.	803-021C	NUT HEX 5/8-11 PLT		
3.	804-022C	WASHER LOCK SPRING 5/8 PLT		
4.	804-095C	WASHER FLAT 5/8 HARD ASTM436		
5.	808-046C	SPKT 40A17 IDLER		
6.	196-880D	TUBE RND 1 1/4ODX9/32X2.0		
7.	802-060C	HHCS 5/8-11X4 GR5		
8.	803-177C	NUT HEX FLG TP LK 5/16-18ZNYCR		
9.	822-175C	FLANGETTE 52 3-BOLT PLT		
10.	822-119C	BRG 7/8HEXX2.05OD SPH		
11.	802-092C	RHSNB 5/16-18X3/4 GR5		
12.	120-264D	SPACER TUBE 1 ID X 1 3/16		
13.	808-259C	SPKT 40B14 X 7/8 HEX BORE		
14.	805-180C	PIN ROLL 1/4 X 1 1/2 LG PLT		
15.	136-254D	CHAIN RL #40 216 PITCHES		

RH & LH Fertilizer Drive

(Applies to 3S-4010HD, 3S-4010HDF only)



29141

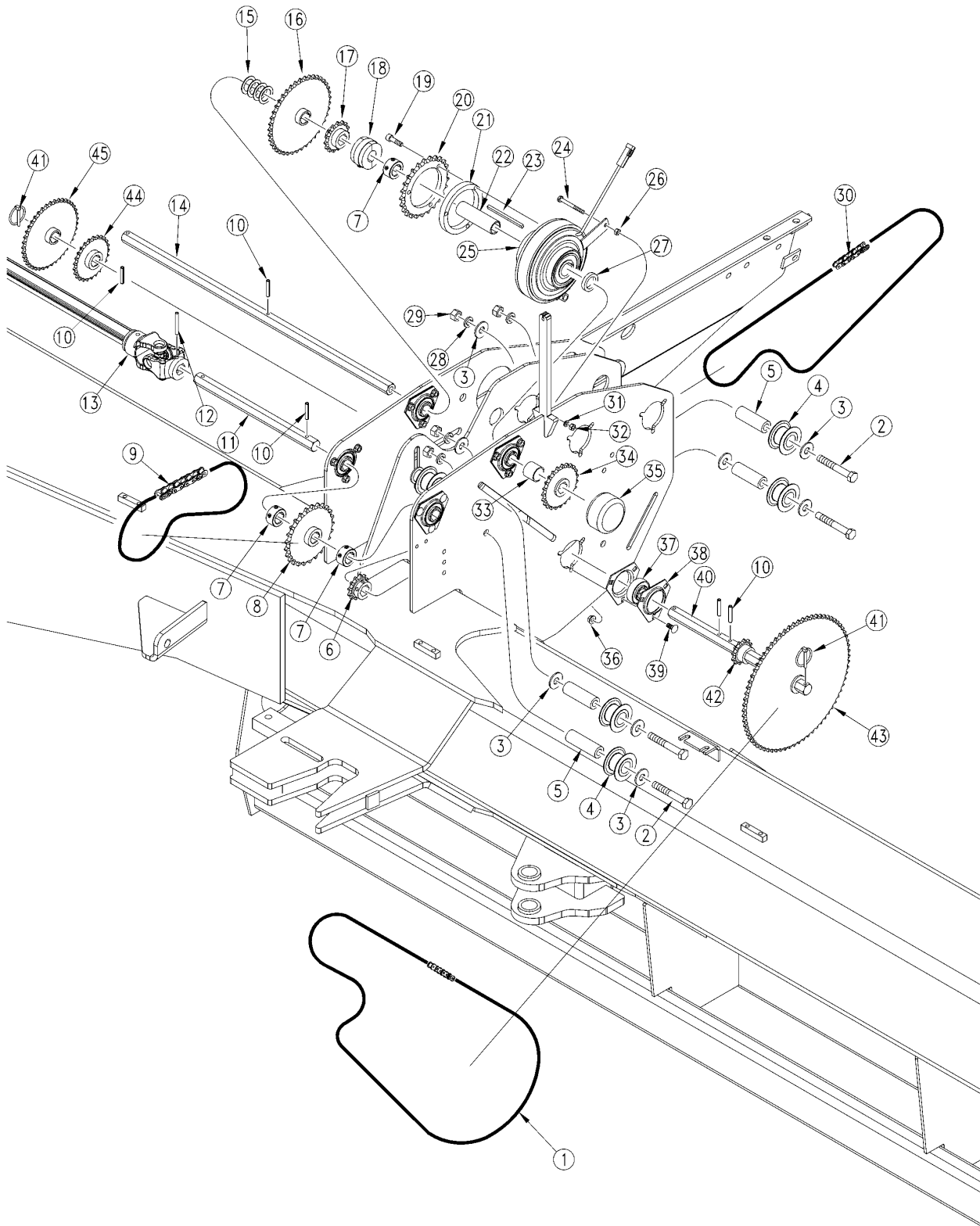
RH & LH Fertilizer Drive

(Applies to 3S-4010HD, 3S-4010HDF only)

Ref	Part No.	Part Description	Comments	Revision
	dwg29141	Image No.		
1.	136-227D	CHAIN RL #40 86 PITCHES		
2.	802-041C	HHCS 1/2-13X3 1/2 GR5		
3.	804-113C	WASHER FLAT 1/2 USS HARD PLT		
4.	120-306D	TUBE RND 1 OD X 7/32W X 2.13		
5.	817-456C	IDLER SPOOL #50 2.38X1.01X1.31		
6.	805-180C	PIN ROLL 1/4 X 1 1/2 LG PLT		
7.	804-061C	WASHER MACH 1.50 X 1.00 X 18GA		
8.	296-099D	3N40HD WING DRIVE POWER SHAFT		
9.	402-025S	LOCK COLLAR, 7/8 HEX W/ SET SC		
10.	808-309C	SPKT 50C25 X 7/8 HEX BORE		
11.	803-117C	NUT WELD 1/4-20 X 1/2 X 3/16SS		
12.	822-175C	FLANGETTE 52 3-BOLT PLT		
13.	822-119C	BRG 7/8HEXX2.05OD SPH		
14.	802-092C	RHSNB 5/16-18X3/4 GR5		
15.	826-501C	DRIVESHAFT YP PLANTER		
16.	805-146C	PIN ROLL 1/4 X 2 LG PL		
17.	136-121D	CHAIN RL #40 116 PITCHES		
18.	805-208C	PIN, ROLL 1/4 X 1 1/4 LONG		
19.	808-260C	SPKT 40B12 X 7/8 HEX BORE		
20.	802-226C	HHCS 1/2-13X2 3/4 GR5		
21.	120-305D	TUBE RND 1 OD X 7/32W X 1.56		
22.	804-015C	WASHER LOCK SPRING 1/2 PLT		
23.	803-020C	NUT HEX 1/2-13 PLT		
24.	817-406C	IDLER 1 PC 2.38X1.01X1.062		
25.	804-017C	WASHER FLAT 1/2 USS PLT		
26.	120-337S	SPLIT SPACER 1 ID X 1.25 THICK		
27.	805-240C	PIN LINCH 3/16 X 1 9/16 LONG		
28.	195-172H	SPKT 40C60 X 7/8 HEX BORE		
29.	296-023D	FERT TRANSMISSION FRONT SHAFT		
30.	296-024D	FERT TRANSMISSION REAR SHAFT		
31.	805-064C	PIN COTTER 7/64 X 1 LONG		
32.	136-093D	CHAIN RL #40 60 PITCHES		
33.	402-126H	OFFSET DOUBLE IDLER WELDMENT		
34.	402-242D	IDLER BOLT PLATE		
35.	802-453C	RHSNB 3/8-16X1 1/2 GR5		
36.	808-224C	SPKT 40C41 X 7/8 HEX BORE	Fertilizer Range Sprocket	
37.	808-147C	SPKT 40C15 X 7/8 HEX BORE	Fertilizer Range Sprocket	
38.	808-222C	SPKT 40C21 X 7/8 HEX BORE	Fertilizer Transmission Sprocket	
39.	808-276C	SPKT 40C20 X 7/8 HEX BORE	Fertilizer Transmission Sprocket	
40.	808-338C	SPKT 40C16 X 7/8 HEX BORE	Fertilizer Transmission Sprocket and Fertilizer Range Sprocket	
41.	808-262C	SPKT 40C47 X 7/8 HEX BORE	Fertilizer Range Sprocket	
42.	407-150H	SPKT 40C13 X 7/8 HEX BORE	Fertilizer Transmission Sprocket	
43.	808-249C	SPKT 40C18 X 7/8 HEX BORE	Fertilizer Transmission Sprocket	
44.	808-148C	SPKT 40C17 X 7/8 HEX BORE	Fertilizer Transmission Sprocket	
45.	808-219C	SPKT 40C12 X 7/8 HEX BORE	Fertilizer Transmission Sprocket	
46.	808-150C	SPKT 40C23 X 7/8 HEX BORE	Fertilizer Transmission Sprocket	
47.	808-151C	SPKT 40C24 X 7/8 HEX BORE	Fertilizer Transmission Sprocket	

RH & LH Seeds Drive

(Applies to 3S-4010HD, 3S-4010HDF only)



29138

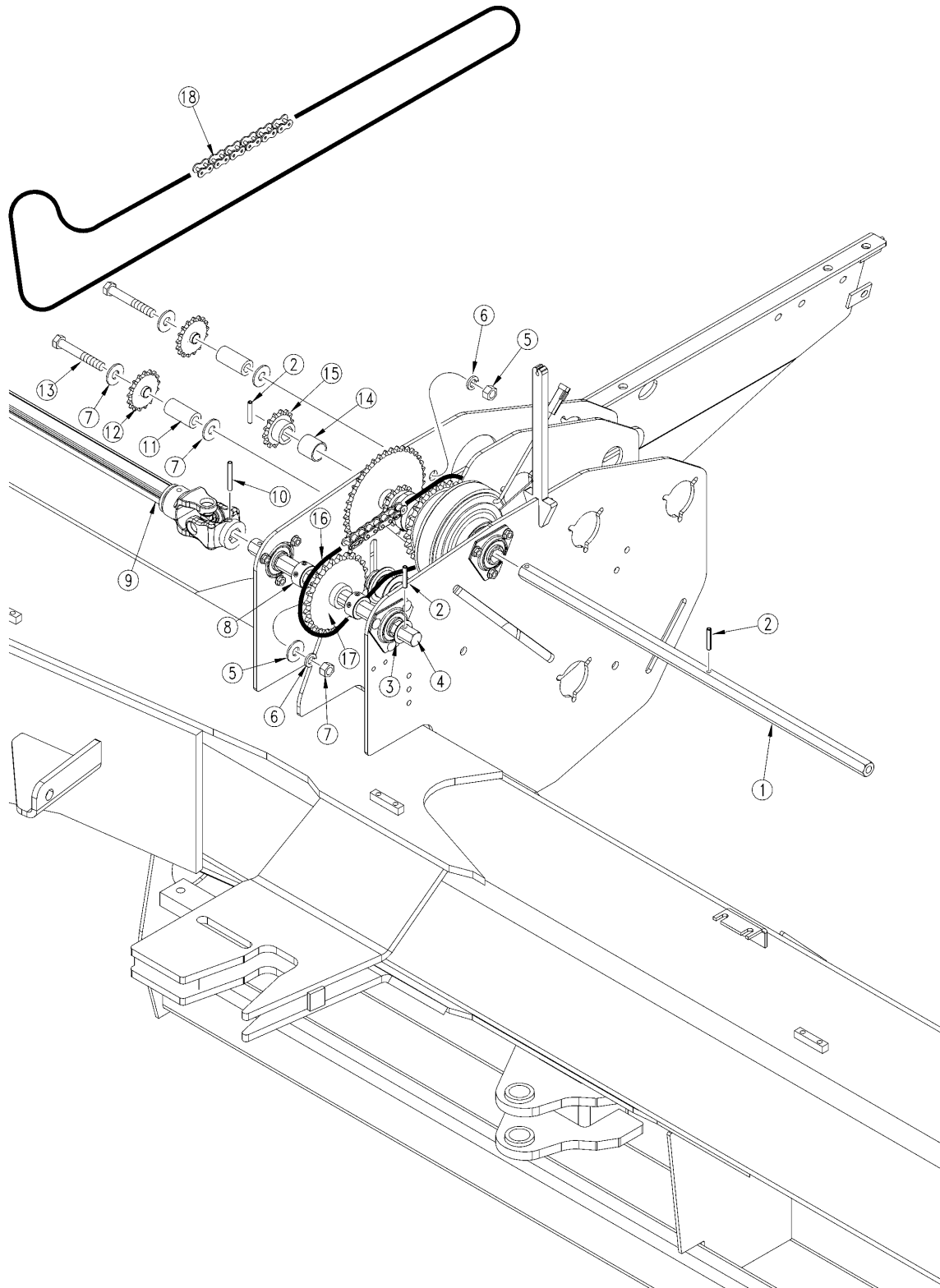
RH & LH Seeds Drive

(Applies to 3S-4010HD, 3S-4010HDF only)

Ref	Part No.	Part Description	Comments	Revision
	dwg29138	Image No.		
1.	136-253D	CHAIN RL #40 114 PITCHES		
2.	802-311C	HHCS 1/2-13X4 1/4 GR5		
3.	804-113C	WASHER FLAT 1/2 USS HARD PLT		
4.	817-406C	IDLER 1 PC 2.38X1.01X1.062		
5.	120-293D	TUBE RND DOM. 1 OD X 7/32WX3.0		
6.	808-143C	SPKT 40B12 7/8 HEX BORE W/SS		
7.	402-025S	LOCK COLLAR, 7/8 HEX W/ SET SC		
8.	808-309C	SPKT 50C25 X 7/8 HEX BORE		
9.	136-252D	CHAIN RL #50 53 PITCHES		
10.	805-180C	PIN ROLL 1/4 X 1 1/2 LG PLT		
11.	296-099D	3N40HD WING DRIVE POWER SHAFT		
12.	805-146C	PIN ROLL 1/4 X 2 LG PL		
13.	826-501C	DRIVESHAFT YP PLANTER		
14.	296-086D	SHAFT 7/8 HEX 29.25 LG		
15.	804-061C	WASHER MACH 1.50 X 1.00 X 18GA		
16.	808-224C	SPKT 40C41 X 7/8 HEX BORE		
17.	808-147C	SPKT 40C15 X 7/8 HEX BORE		
18.	120-337S	SPLIT SPACER 1 ID X 1.25 THICK		
19.	802-775C	HSHCS M8X1.25X30 GR8.8 PLT		
20.	808-357C	SPKT 50A25 CLUTCH METRIC BORE		
21.	196-876D	CLUTCH SPROCKET SPACER		
22.	196-877D	BUSHING 1 1/8 ODX7/8 HEX BORE		
23.	839-956C	KEY 1/4 X 3/16 X 3.80		
24.	802-097C	HHCS 1/4-20X2 1/2 GR5		
25.	823-231C	OGURA CLUTCH		
26.	803-006C	NUT HEX 1/4-20 PLT		
27.	402-266D	7/8 HEX SHAFT SPACER TB X 9/32		
28.	804-015C	WASHER LOCK SPRING 1/2 PLT		
29.	803-020C	NUT HEX 1/2-13 PLT		
30.	136-110D	CHAIN RL #40 100 PITCHES		
31.	804-006C	WASHER LOCK SPRING 1/4 PLT		
32.	803-006C	NUT HEX 1/4-20 PLT		
33.	296-100D	SPACER TUBE 1 ID X 1.06 PVC		
34.	808-256C	SPKT 40C23 X 7/8 HEX BORE		
35.	891-105C	3S4010HD ACRE METER		
35.	891-106C	334010HD HECTARE METER		
36.	803-177C	NUT HEX FLG TP LK 5/16-18ZNYCR		
37.	822-175C	FLANGETTE 52 3-BOLT PLT		
38.	822-119C	BRG 7/8HEX X 2.05OD SPH		
39.	802-092C	RHSNB 5/16-18X3/4 GR5		
40.	296-025D	FEEDER CUP LOWER DRIVE SHAFT		
41.	805-240C	PIN LINCH 3/16 X 1 9/16 LONG		
42.	808-259C	SPKT 40B14 X 7/8 HEX BORE	Seed Range Sprocket	
43.	808-258C	SPKT 40B72 X 7/8 HEX BORE	Seed Range Sprocket	
44.	808-257C	SPKT 40B34 X 7/8 HEX BORE	Seed Range Sprocket	
45.	808-256C	SPKT 40C23 X 7/8 HEX BORE	Seed Range Sprocket	

RH & LH Small Seeds Drive

(Applies to 3S-4010HD, 3S-4010HDF only)



29195

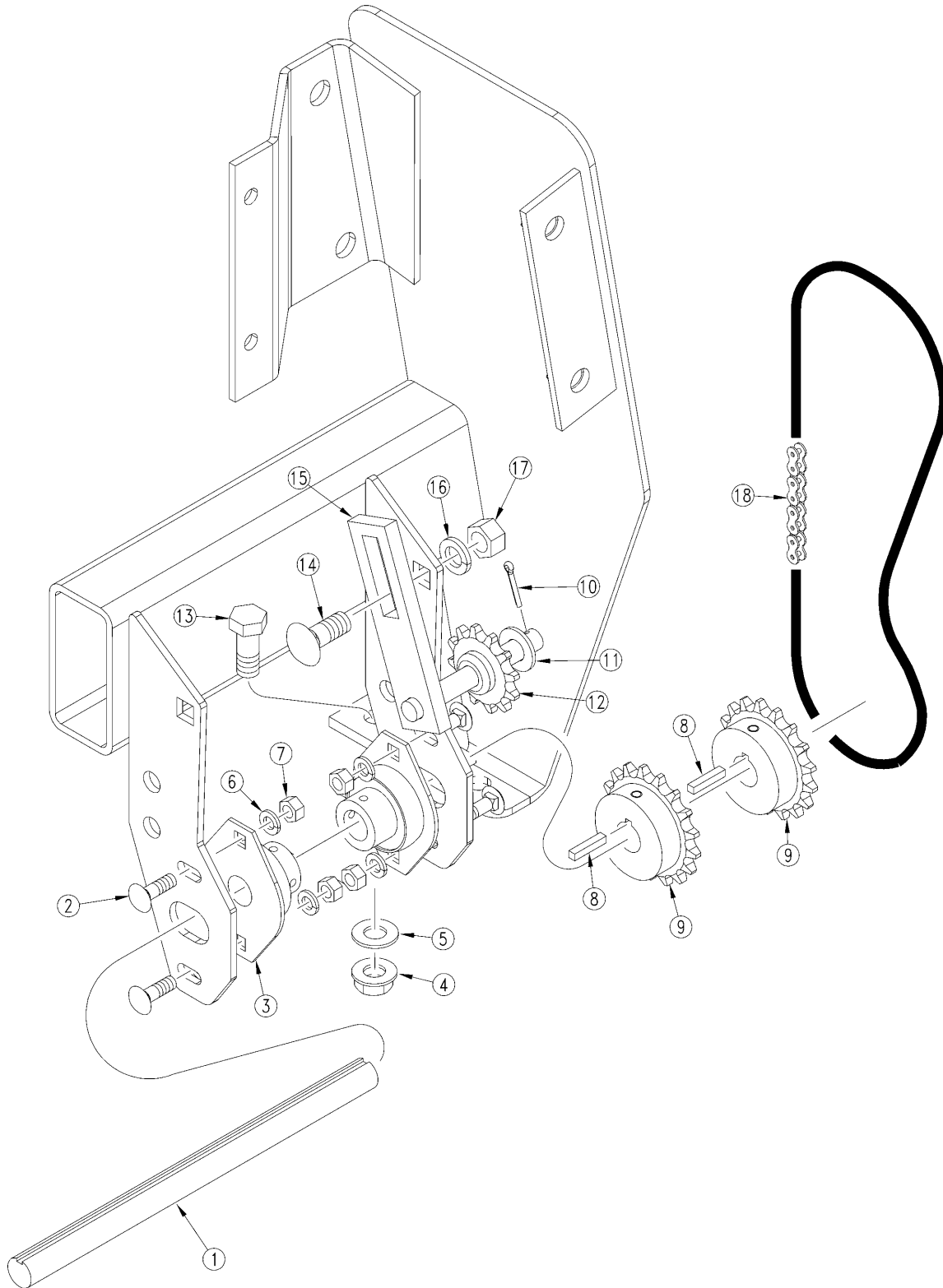
RH & LH Small Seeds Drive

(Applies to 3S-4010HD, 3S-4010HDF only)

Ref	Part No.	Part Description	Comments	Revision
	dwg29195	Image No.		
1.	296-086D	SHAFT 7/8 HEX 29.25 LG		
2.	805-180C	PIN ROLL 1/4 X 1 1/2 LG PLT		
3.	804-061C	WASHER MACH 1.50 X 1.00 X 18GA		
4.	296-099D	3N40HD WING DRIVE POWER SHAFT		
5.	804-095C	WASHER FLAT 5/8 HARD ASTM F436		
6.	804-022C	WASHER LOCK SPRING 5/8 PLT		
7.	803-021C	NUT HEX 5/8-11 PLT		
8.	402-025S	LOCK COLLAR, 7/8 HEX W/ SET SC		
9.	826-501C	DRIVESHAFT YP PLANTER		
10.	805-146C	PIN ROLL 1/4 X 2 LG PL		
11.	196-880D	TUBE RND 1 1/4 ODX9/32X2.0		
12.	808-046C	SPKT 40A17 IDLER		
13.	802-060C	HHCS 5/8-11X4 GR5		
14.	120-264D	SPACER TUBE 1 ID X 1 3/16		
15.	808-259C	SPKT 40B14 X 7/8 HEX BORE		
16.	136-252D	CHAIN RL #50 53 PITCHES		
17.	808-309C	SPKT 50C25 X 7/8 HEX BORE		
18.	136-254D	CHAIN RL #40 216 PITCHES		

Small Seeds Jackshaft

(Applies to 3S-4010HD, 3S-4010HDF only)



29257

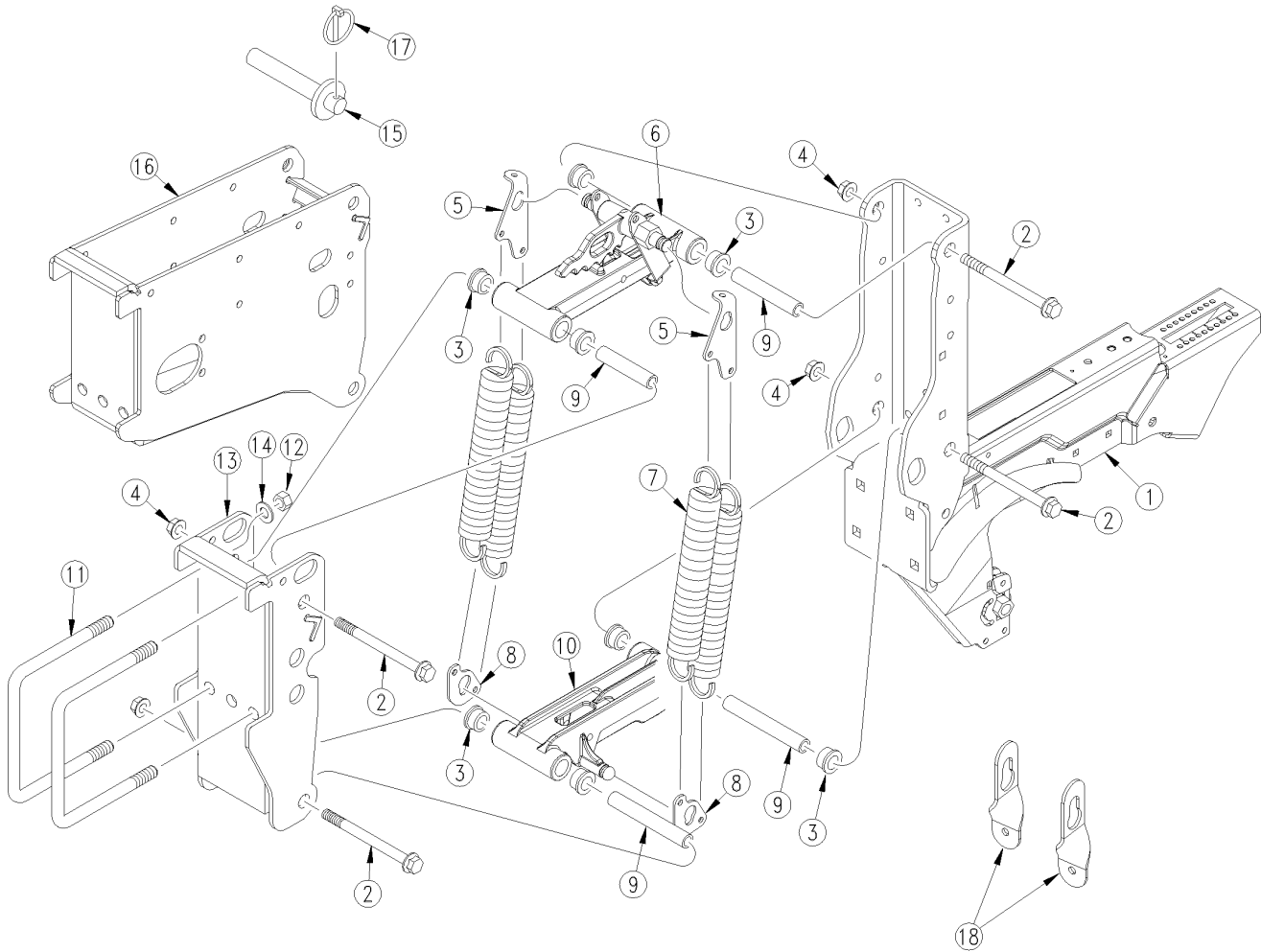
Small Seeds Jackshaft

(Applies to 3S-4010HD, 3S-4010HDF only)

Ref	Part No.	Part Description	Comments	Revision
	dwg29257	Image No.		
1.	133-024D	RND SHAFT 3/4 X 11 W/KW		
2.	802-282C	RHSNB 5/16-18X1 GR5		
3.	822-126C	BRG FLG .75ID 2BOLT		
4.	803-169C	NUT HEX FLG. LOCK 1/2-13 PLT.		
5.	804-113C	WASHER FLAT 1/2 USS HARD PLT		
6.	804-009C	WASHER LOCK SPRING 5/16 PLT		
7.	803-008C	NUT HEX 5/16-18 PLT		
8.	168-127D	3/16 X 1 KEY		
9.	808-170C	SPKT 40B17 X 3/4BORE W/KW&SS		
10.	805-067C	PIN COTTER 1/8 X 3/4		
11.	804-016C	WASHER FLAT 1/2 SAE PLT		
12.	817-025C	NO. 40 12T IDLER SPKT.		
13.	802-203C	HFSS 1/2-13X1 1/2 GR5		
14.	802-214C	RHSNB 1/2-13X1 1/4 GR5		
15.	133-051H	SLOTTED IDLER ARM 1/2 X 3 5/8		
16.	804-015C	WASHER LOCK SPRING 1/2 PLT		
17.	803-020C	NUT HEX 1/2-13 PLT		
18.	136-104D	CHAIN RL #40 62 PITCHES		

HD10 Series Opener Arms & Mounts

(Applies to 3S-4010HD, 3S-4010HDF only)



HD10 Series Opener Arms & Mounts

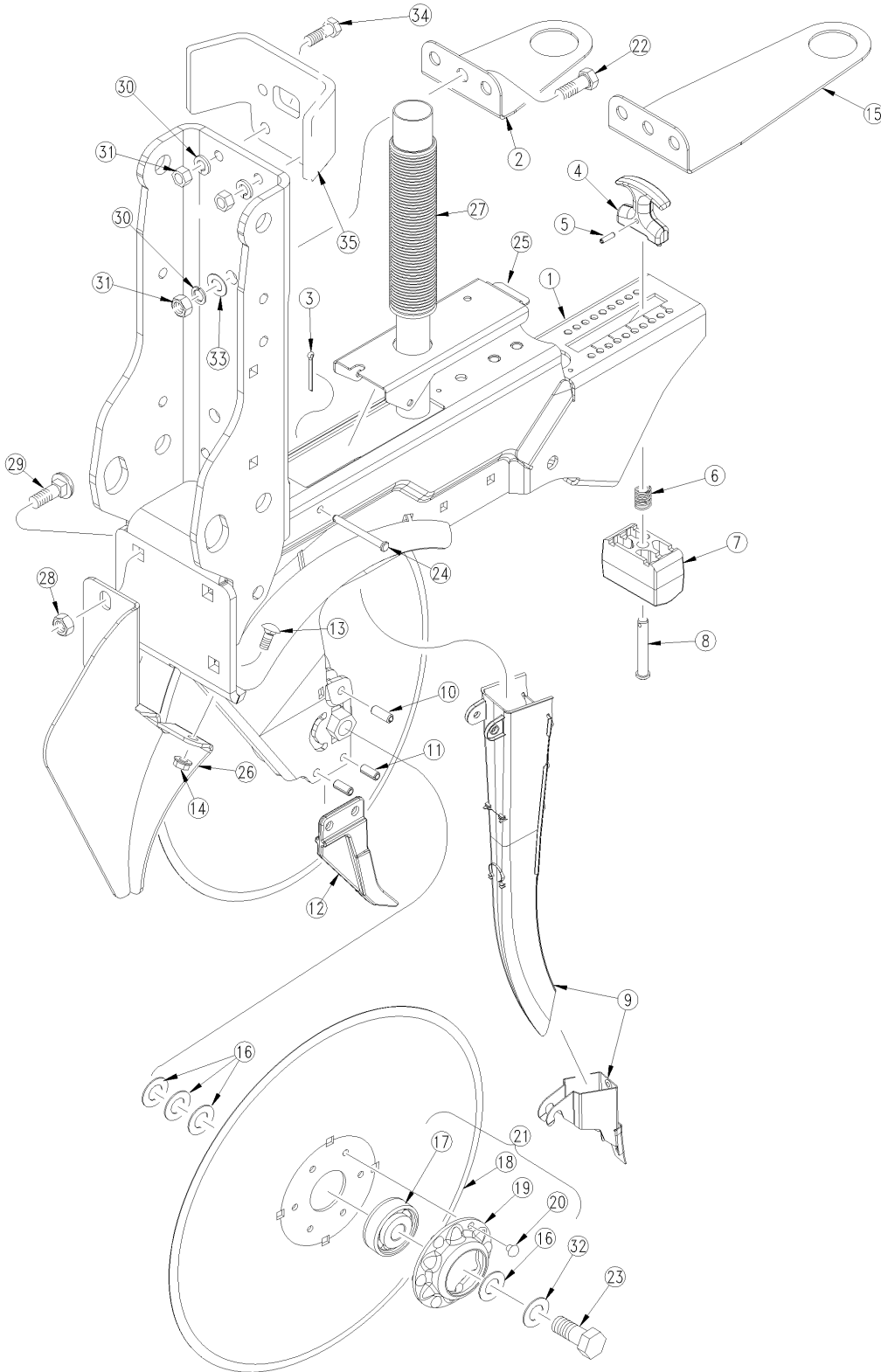
(Applies to 3S-4010HD, 3S-4010HDF only)

Ref	Part No.	Part Description	Comments	Revision
	dwg29244	Image No.		
1.	298-855H	HD10P OPENER WELDMENT		
2.	802-745C	HFS 1/2-13X6 1/8GR5 PLT		
3.	817-084C	PARALLEL ARM PIVOT BUSHING		
4.	803-169C	NUT HEX FLG. LOCK 1/2-13 PLT.		
5.	198-292D	25P UPPER SPRING LINK	Used with dual springs	
6.	288-374H	25 SERIES UPPER PARALLEL ARM		
7.	807-076C	SPRING EXT 1.575 OD X .225 W		
8.	198-293D	25P LOWER SPRING LINK	Used with dual springs	
9.	198-295D	25P REAR OPENER INNER PIVOT TB		
10.	403-667D	25 SRS LOWER PARALLEL ARM		
11.	806-053C	U-BOLT 5/8-11 X 7 1/32 X 6 1/2		
12.	803-021C	NUT HEX 5/8-11 PLT		
13.	298-884H	25P FRONT OPENER MOUNT WELDMT		
13.	398-557H	10HD SPLIT FRONT OPENER MOUNT	10" End Opener	
14.	804-022C	WASHER LOCK SPRING 5/8 PLT		
15.	398-456H	LOCKUP PIN FOR 10HD OPENER		
16.	298-885H	25P REAR OPENER MOUNT WELDMT		
16.	398-558H	10HD SPLIT REAR OPENER MOUNT	10" End Opener	
17.	805-240C	PIN LINCH 3/16 X 1 9/16 LONG		
18.	198-240D	3 13/32 SPRING STRAP	Used with single springs	

[Table of Contents](#) [Part Number Index](#)

HD10 Series Opener Body

(Applies to 3S-4010HD, 3S-4010HDF only)



29076

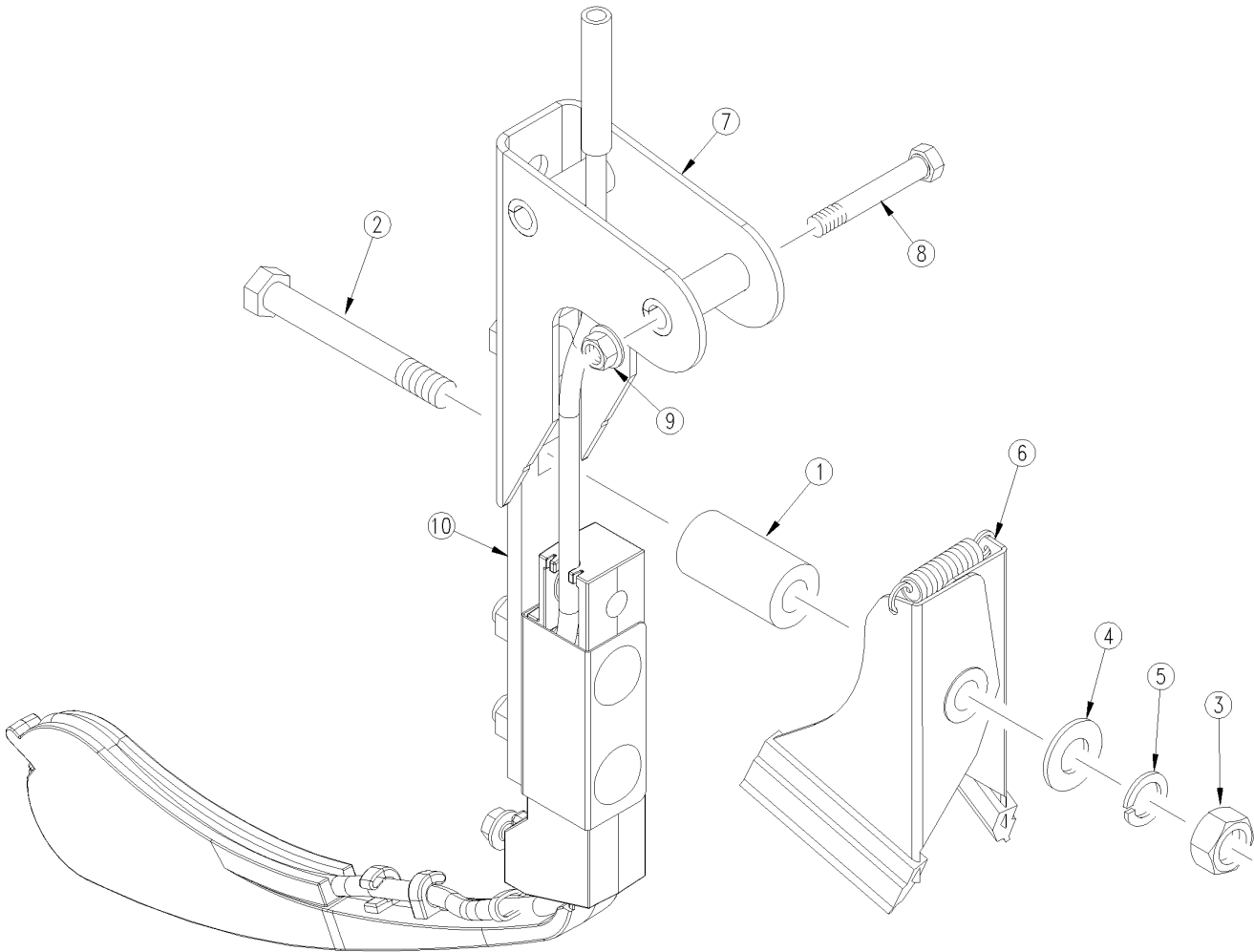
HD10 Series Opener Body

(Applies to 3S-4010HD, 3S-4010HDF only)

Ref	Part No.	Part Description	Comments	Revision
	dwg29076	Image No.		
1.	298-855H	HD10P OPENER WELDMENT		
2.	296-085D	HD10 SHORT SEED TUBE GUIDE	Rear Rows	
3.	805-063C	PIN COTTER 3/32 X 1 LONG		
4.	817-328C	T-HANDLE ASSEMBLY		
5.	805-186C	PIN ROLL 5/32 X 5/8 PLT		
6.	807-106C	SPRING .540 O.D.X 1 1/4 X.054W		
7.	817-347C	OPENER TRUNION		
8.	805-154C	PIN CLEVIS 3/8 X 2 1/8 USABLE		
9.	403-215S	SEED TUBE FPU TUBE & CLIP		
10.	805-250C	PIN ROLL 5/16 X 7/8		
11.	805-335C	PIN ROLL 5/16 X 5/8 PLT		
12.	812-397C	LOWER SCRAPER RETROFIT404-170H		
13.	802-092C	RHSNB 5/16-18X3/4 GR5		
14.	803-043C	NUT HEX WHIZ 5/16-18 PLT		
15.	296-084D	HD10 LONG SEED TUBE GUIDE	Front Rows	
16.	804-040C	WASHER MACH 1.19 X .63 X 18GA		
17.	188-001V	BRG AA205DD		
18.	820-287C	4.0 MM 15 DISK (21 DEG BEVEL)		
19.	890-466C	HSG RIBB FLG 6BOLT PLT		
20.	800-213C	RIVET,BUTTON HEAD 1/4 X 1/2		
21.	404-121S	4.0 MM 15 DISC W/ 5/8 ASSY		
22.	802-017C	HHCS 3/8-16X1 GR5		
23.	802-844C	HHCS 5/8-11X2 1/4 GR5 NYL		
24.	805-190C	PIN CLEVIS 1/4 X 2 55/64 USBL		
25.	198-318D	HD10 OPENER SEED TUBE TOP CAP		
26.	288-310H	TRASH GUARD WELDMENT		
27.	816-037C	END WHEEL FERTILIZER HOSE		
28.	803-169C	NUT HEX FLG. LOCK 1/2-13 PLT.		
29.	802-183C	RHSNB 1/2-13X1 GR5		
30.	804-013C	WASHER LOCK SPRING 3/8 PLT		
31.	803-014C	NUT HEX 3/8-16 PLT		
32.	804-022C	WASHER LOCK SPRING 5/8 PLT		
33.	804-011C	WASHER FLAT 3/8 USS PLT		
34.	802-079C	HHCS 3/8-16X1 1/4 GR5		
35.	122-173D	25P UP FLOAT LIMITER	Center Rows only	

HD10 & 25 Series Inside Scraper

(Applies to 3S-4010HD, 3S-4010HDF only)



28424

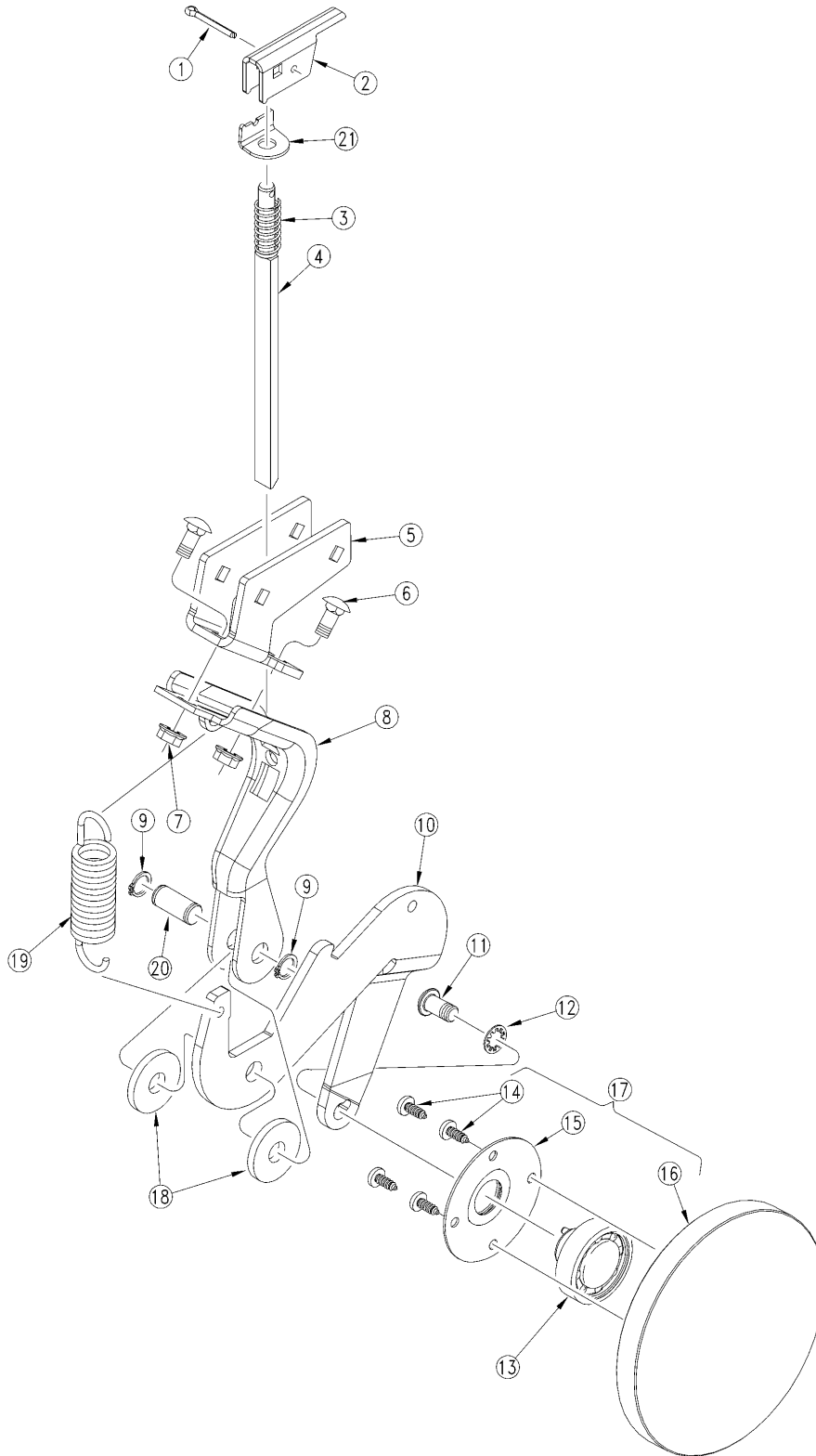
HD10 & 25 Series Inside Scraper

(Applies to 3S-4010HD, 3S-4010HDF only)

Ref	Part No.	Part Description	Comments	Revision
	dwg28424	Image No.		
1.	122-177D	10HD25 INSIDE SCRAPER MNT TUBE		
2.	802-024C	HHCS 3/8-16X3 GR5		
3.	803-014C	NUT HEX 3/8-16 PLT		
4.	804-011C	WASHER FLAT 3/8 USS PLT		
5.	804-013C	WASHER LOCK SPRING 3/8 PLT		
6.	890-928C	25 SER AIR DESIGN IN SCRAPER		
7.	129BXT824	BRACKET FOR 890-929C FIRMER		
8.	802-172C	HHCS 5/16-18X2 1/2 GR5		
9.	803-043C	NUT HEX WHIZ 5/16-18 PLT		
10.	129BXT826	25 SER FIRM -SCRAPER MOUNT		

HD10 Series Seed-Lok (Option)

(Applies to 3S-4010HD, 3S-4010HDF only)



17663

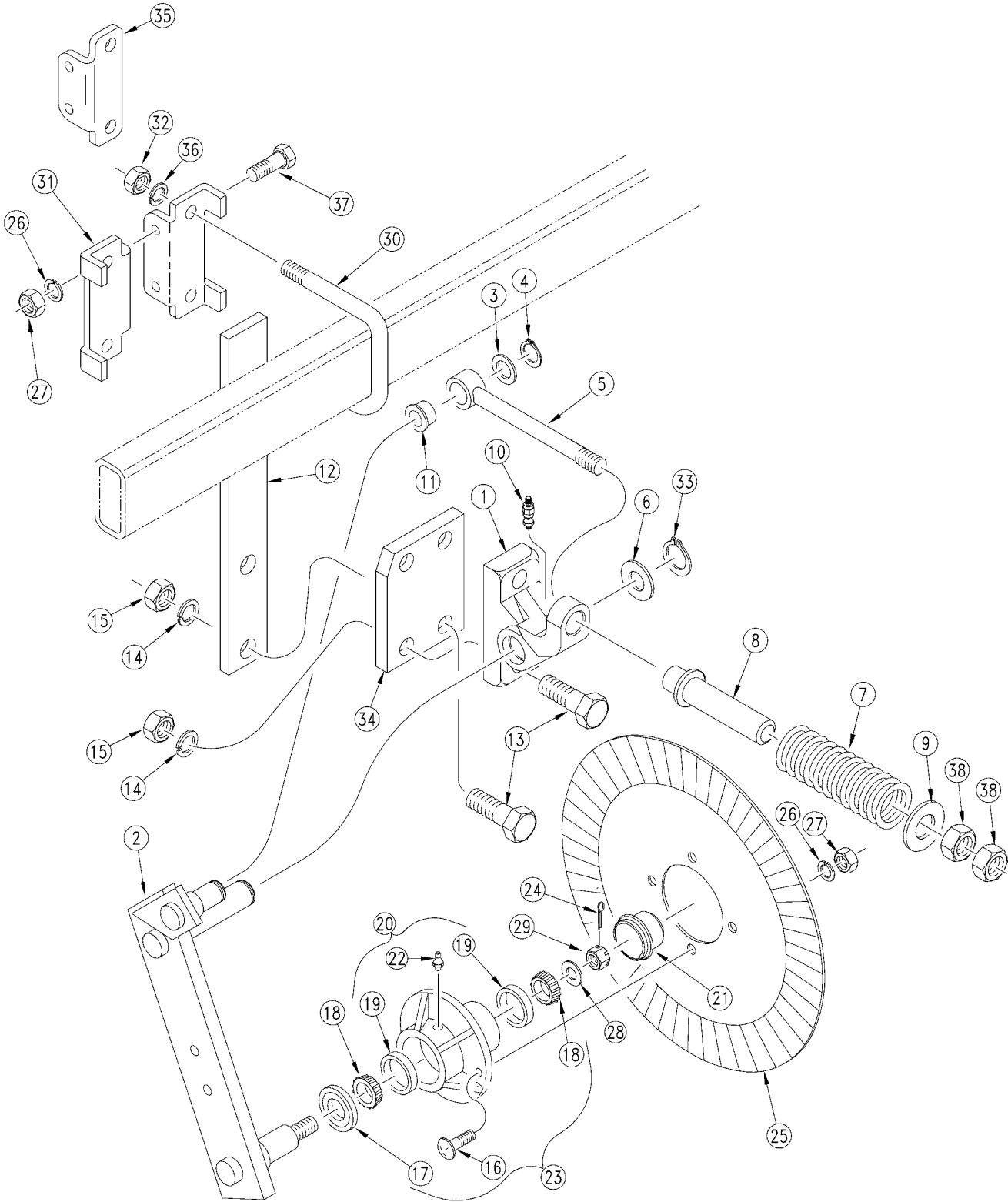
HD10 Series Seed-Lok (Option)

(Applies to 3S-4010HD, 3S-4010HDF only)

Ref	Part No.	Part Description	Comments	Revision
	dwg17663	Image No.		
1.	805-045C	PIN COTTER 5/32 X 1 1/4 LG		
2.	404-213D	LEVER, SEED LOK		
3.	807-106C	SPRING .540 O.D.X 1 1/4 X.054W		
4.	404-088H	LOCK ROD WELD		
5.	404-144D	SEED LOK MOUNT		
6.	802-092C	RHSNB 5/16-18X3/4 GR5		
7.	803-043C	NUT HEX WHIZ 5/16-18 PLT		
8.	206-010D	JD KINZE SEED LOK LOWER MOUNT		
9.	800-166C	SNAP RING 1/2 EXTERNAL HEAVY		
10.	404-061D	SEED LOK WHEEL ARM		
11.	801-078C	SCR HX SKT BUT CP 3/8-16X3/4		
12.	804-078C	WASHER INTERNAL STAR 3/8 PLT.		
13.	188-008V	BRG 203 SEED-LOK WITH PIN		
14.	801-084C	SCR PH THD FMG #10X1/2 TP ZP		
15.	816-173C	RETAINER W/BONDED SEAL 4BLT		
16.	817-191C	5/8 X 6 SEED LOK WHEEL		
17.	206-014S	6 SEED LOK ASSEMBLY		
18.	206-012D	WASHER MACH 1.50 X .510 X 10G		
19.	807-125C	SPRING EXT 1 X 4 X .135 WD		
20.	206-011D	SEED LOK PIVOT PIN		
21.	404-212D	LEVER STOP		

Coulter

(Applies to 3S-4010HD, 3S-4010HDF only)



29091

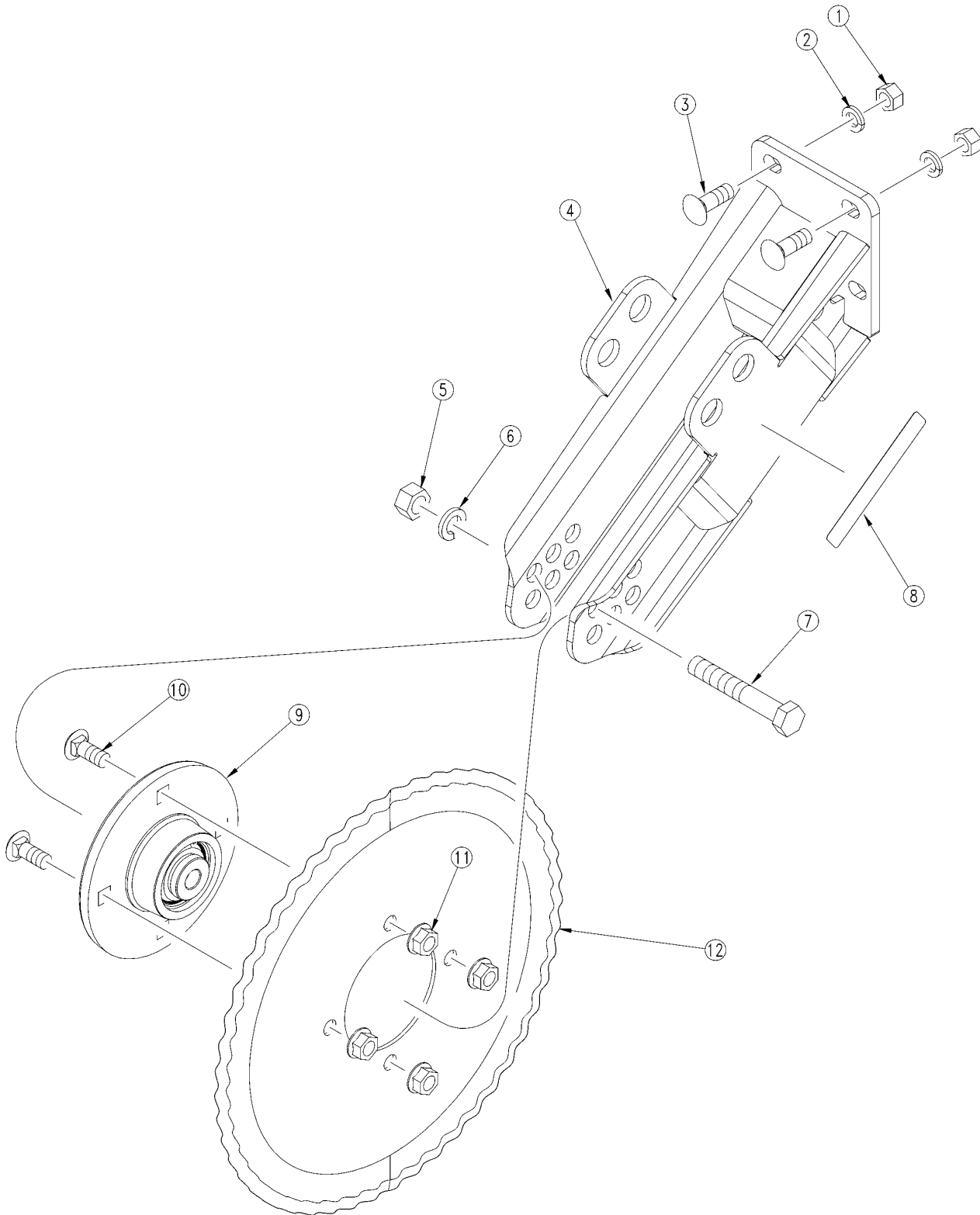
Coulter

(Applies to 3S-4010HD, 3S-4010HDF only)

Ref	Part No.	Part Description	Comments	Revision
	dwg29091	Image No.		
1.	249-050S	CLTR CASTING ASSY		
2.	249-051H	CLTR SWING ARM WLMT		
3.	804-156C	WASHER MACH 1 1/4X3/4X14GA		
4.	800-164C	SNAP RING 3/4 EXTERNAL HEAVY		
5.	802-718C	EYE BOLT 3/4-10X14 3/4 LG SP		
6.	804-165C	WASHER MACH 1 7/8X1 1/4X 14GA		
7.	149-559D	SPRING 2.25 O.D. X .5 COIL		
8.	805-331C	COULTER SPRING GUIDE TUBE		
9.	149-558D	COULTER SPRING WASHER		
10.	800-211C	GREASE ADAPT 1/4-28M X 1/4 TB		
11.	817-513C	BUSHING 1X3/4X1 1/8 FLG HD		
12.	204-295D	COULTER SPRING BAR 14 3/4 BLK		
13.	802-332C	HHCS 7/8-9X3 GR5		
14.	804-037C	WASHER LOCK SPRING 7/8 PLT		
15.	803-049C	NUT HEX 7/8-9 PLT		
16.	802-214C	RHSNB 1/2-13X1 1/4 GR5		
17.	816-009C	OIL SEAL DOUBLE LIP		
18.	822-021C	BEARING CONE LM-67048		
19.	822-020C	BEARING CUP LM-67010		
20.	200-039V	COULTER HUB & CUP ASSY		
21.	200-001D	HUB GREASE CAP		
22.	800-001C	GREASE ZERK STRAIGHT 1/4-28		
23.	200-002S	COULTER HUB PACKAGE		
24.	805-017C	PIN COTTER 3/16 X 1 3/4 PLT		
25.	820-018C	COULTER BLADE FLUTED		
25.	820-082C	17 COULTER BLADE 3/4 WAVY		
25.	820-156C	5/8 WAVY TURBO BLADE		
26.	804-015C	WASHER LOCK SPRING 1/2 PLT		
27.	803-020C	NUT HEX 1/2-13 PLT		
28.	804-055C	WASHER SPINDLE - 7/8		
29.	803-029C	NUT HEX SLOTTED 7/8-14 PLT		
30.	806-106C	U-BOLT 5/8-11 X 4 1/32 X 4		
31.	149-059D	COULTER CLAMP BAR		
32.	803-021C	NUT HEX 5/8-11 PLT		
33.	800-177C	SNAP RING EXT 1 1/4 HEAVY		
34.	149-086D	OFFSET COULTER MOUNT PLATE		
35.	197-010D	OFFSET COULTER BRKT F/LH BOX		
36.	804-022C	WASHER LOCK SPRING 5/8 PL		
37.	802-082C	HHCS 1/2-13X1 3/4 GR5		
38.	803-048C	NUT HEX JAM 3/4-10 PLT		

Coulter Blade Unit Mount

(Applies to 3S-4010HD, 3S-4010HDF only)



29090

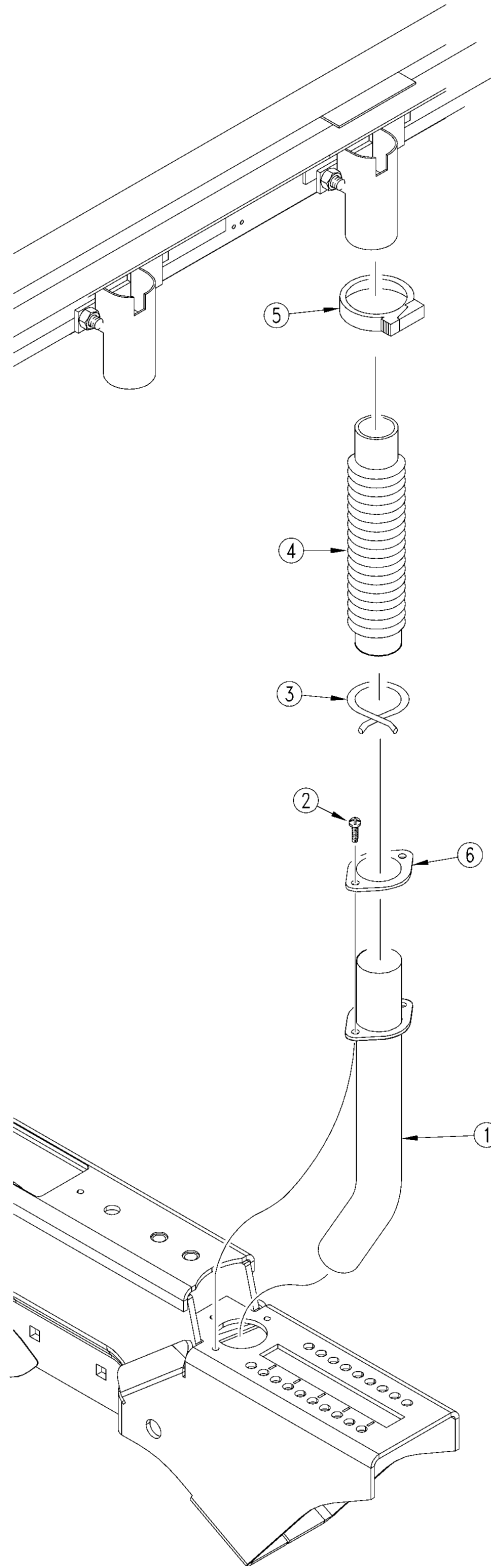
Coulter Blade Unit Mount

(Applies to 3S-4010HD, 3S-4010HDF only)

Ref	Part No.	Part Description	Comments	Revision
	29090	Image No.		
1.	803-020C	NUT HEX 1/2-13 PLT		
2.	804-015C	WASHER LOCK SPRING 1/2 PLT		
3.	802-106C	RHSNB 1/2-13X1 1/2 GR5		
4.	204-139H	UNIT MOUNTED COULTER MOUNT		
5.	803-021C	NUT HEX 5/8-11 PLT		
6.	804-022C	WASHER LOCK SPRING 5/8 PLT		
7.	802-060C	HHCS 5/8-11X4 GR5		
8.	838-482C	DECAL GP PLANTING COMPONENTS		
9.	204-084S	GP25S NARROW HUB ASM		
10.	802-214C	RHSNB 1/2-13X1 1/4 GR5		
11.	803-193C	NUT HEX FLANGE 1/2-13 GR G PLT		
12.	820-331C	COULTER BLADE (FLUTED) 15" OD		
12.	820-327C	COULTER BLADE (TURBO) 15" OD		

Fertilizer Hose Retainer

(Applies to 3S-4010HD, 3S-4010HDF only)



26474

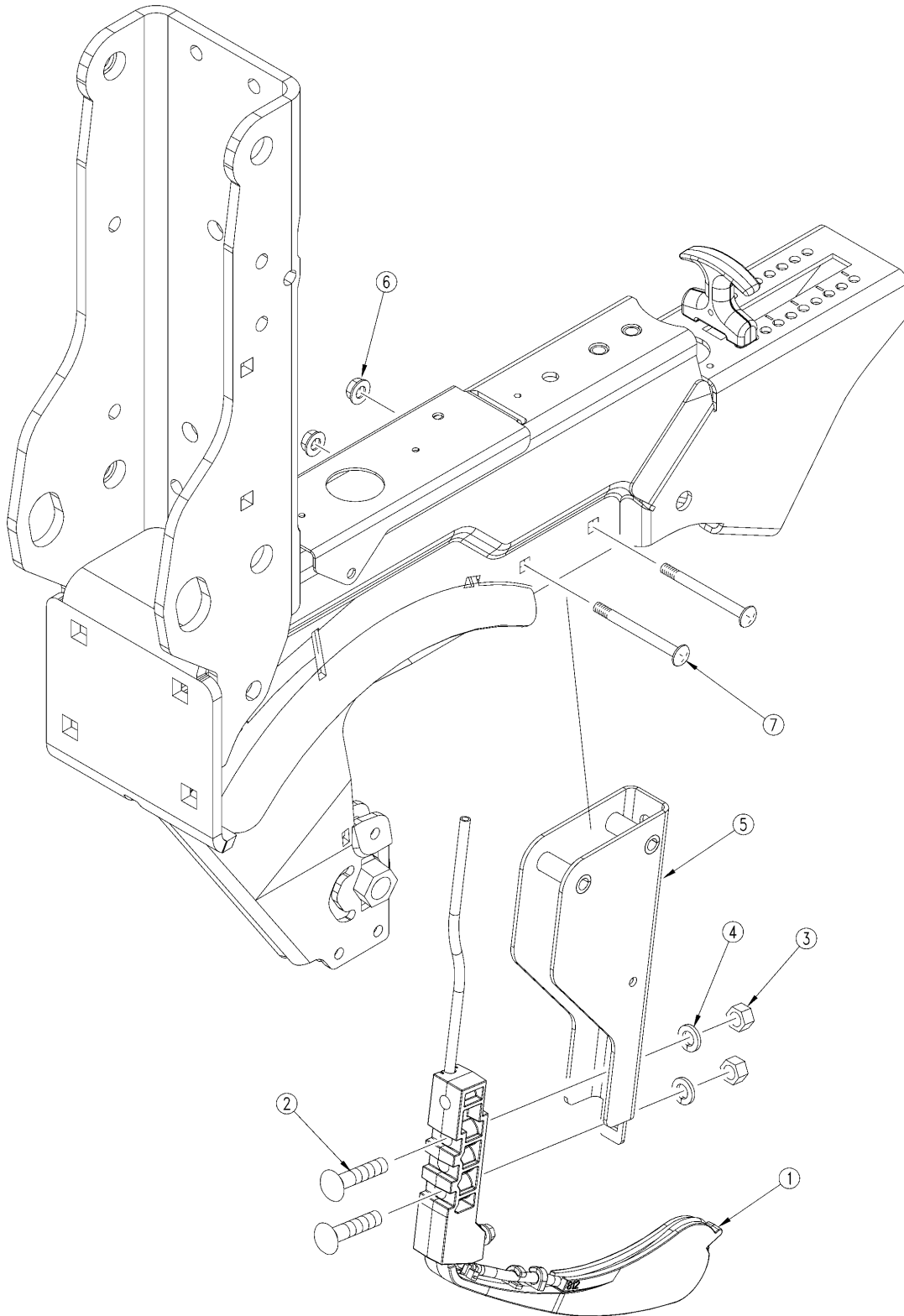
Fertilizer Hose Retainer

(Applies to 3S-4010HD, 3S-4010HDF only)

Ref	Part No.	Part Description	Comments	Revision
	dwg26474	Image No.		
1.	817-346C	PLASTIC FERTILIZER TUBE		
2.	801-002C	SCREW HEX SLT10-16X1/2P.TH D CT		
3.	800-008C	CLAMP HOSE 1 1/2 NO. 24		
4.	816-007C	SEED HOSE X 59 RIBS 1.5-1.25		
5.	800-016C	UPPER FERT HOSE CLAMP		
6.	133-065D	SML SDS TB REINFORCEMENT RING		

Seed Firmer

(Applies to 3S-4010HD, 3S-4010HDF only)



29089

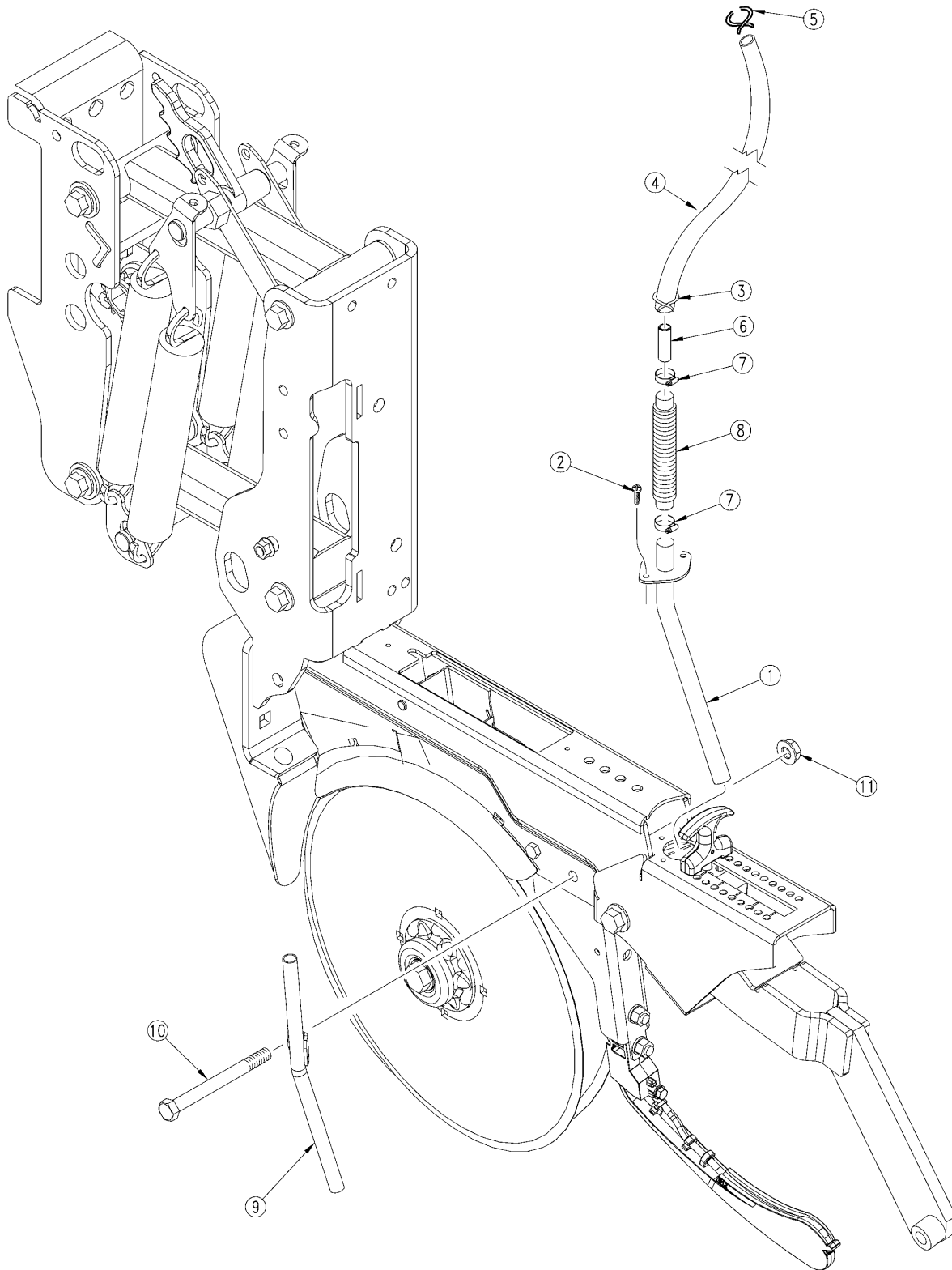
Seed Firmer

(Applies to 3S-4010HD, 3S-4010HDF only)

Ref	Part No.	Part Description	Comments	Revision
	dwg29089	Image No.		
1.	120825	NARROW TAIL FIRMER ASY		
2.	802-252C	RHSNB 3/8-16X1 3/4 GR5		
3.	803-014C	NUT HEX 3/8-16 PLT		
4.	804-013C	WASHER LOCK SPRING 3/8 PLT		
5.	129BXT823	BRACKET		
6.	803-043C	NUT HEX WHIZ 5/16-18 PLT		
7.	802-172C	HHCS 5/16-18X2 1/2 GR5		

Small Seeds Seed Tube

(Applies to 3S-4010HD, 3S-4010HDF only)



29246

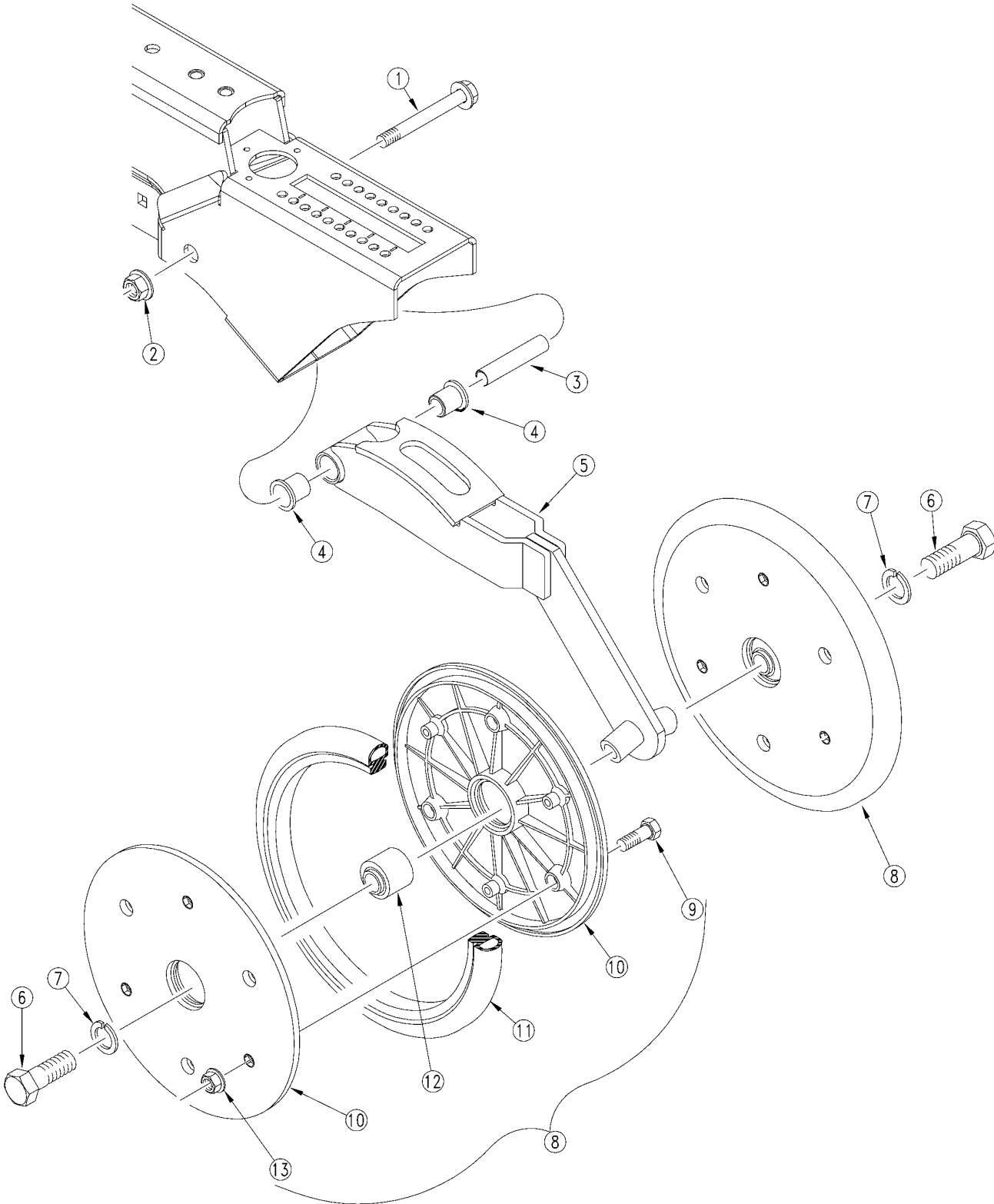
Small Seeds Seed Tube

(Applies to 3S-4010HD, 3S-4010HDF only)

Ref	Part No.	Part Description	Comments	Revision
	dwg29246	Image No.		
1.	123-939H	SMALL SEEDS TUBE WELDMENT	Used on Non Fertilizer Drills	
2.	801-002C	SCREW HEX SLT10-16X1/2P.TH D CT		
3.	800-321C	HOSE CLAMP NO.12 3/4 ID		
4.	990-171R	HOSE 5/8 PVC	18" Long	
5.	800-029C	SINGLE WIRE HOSE CLAMP #14		
6.	116-001D	T-BANDER TUBE		
7.	800-390C	CLAMP WRM DRV #6 SS (.38-.87)		
8.	816-513C	SGS HOSE 85 RIBS		
9.	133-332H	HD10 SML SDS SIDE DELIVERY TB	Used with Fertilizer	
10.	802-439C	HFSS 5/16-18X2 1/2 GR5		
11.	803-177C	NUT HEX FLG TP LK 5/16-18ZNYCR		

HD10 1" x 12" Double "V" Press Wheel

(Applies to 3S-4010HD, 3S-4010HDF only)



24430

HD10 1" x 12" Double "V" Press Wheel

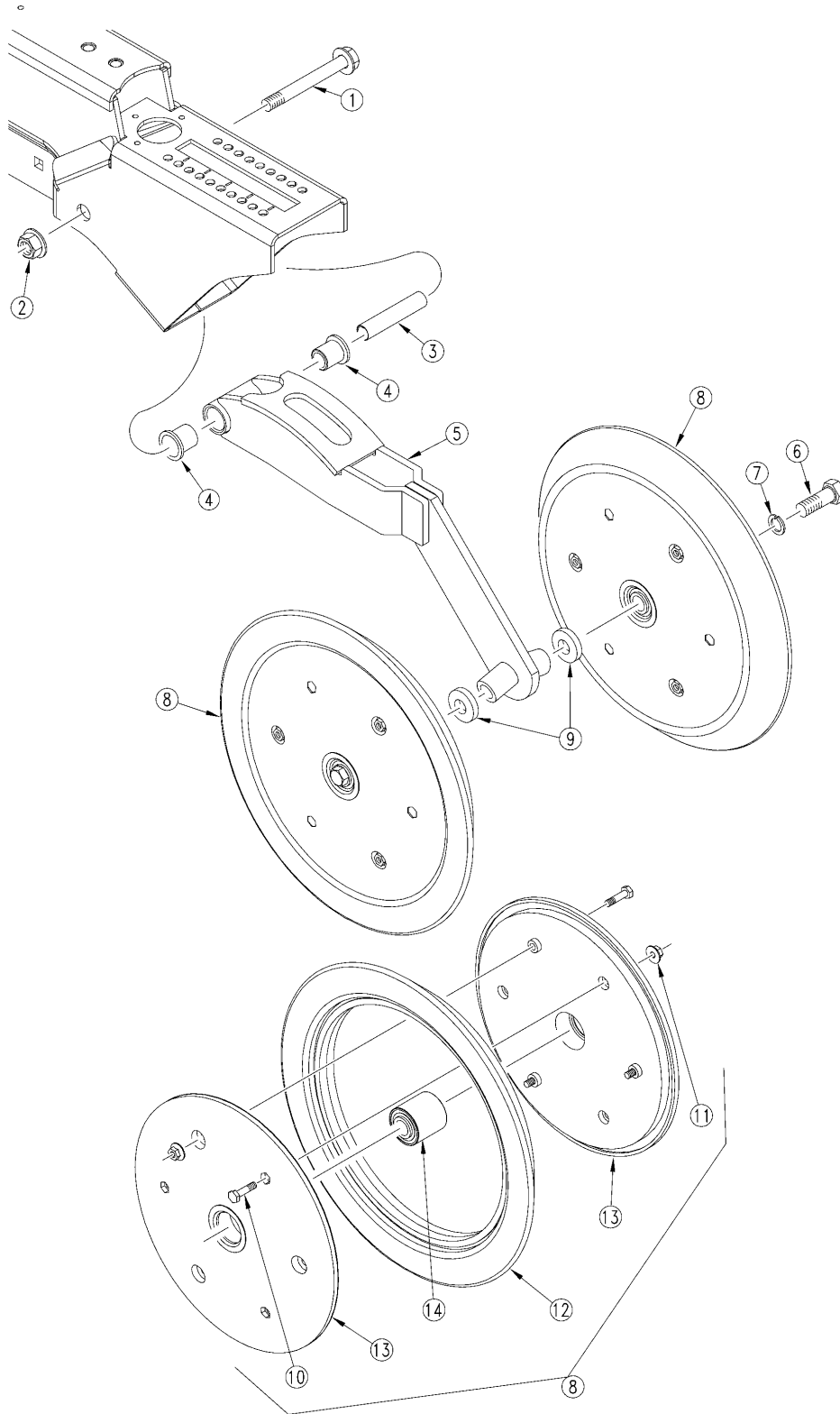
(Applies to 3S-4010HD, 3S-4010HDF only)

Ref	Part No.	Part Description	Comments	Revision
	dwg24430	Image No.		
1.	802-421C	HFS 1/2-13X3 3/4 GR5 SPTH		
2.	803-169C	NUT HEX FLG. LOCK 1/2-13 PLT.		
3.	198-137D	PRESS WHEEL PIVOT TUBE		
4.	817-084C	PARALLEL ARM PIVOT BUSHING		
5.	199-043H	NG 1X12 PRESS WHEEL ARM		
6.	802-058C	HHCS 5/8-11X2 1/2 GR5		
7.	804-022C	WASHER LOCK SPRING 5/8 PLT		
8.	814-174C	1 X 12 PRESS WHL ASSY-5203BRG	Includes items 9 through 13	
9.	802-005C	HHCS 1/4-20X1 GR5		
10.	817-330C	1 X 12 PRESS WHEEL RIM HALF		
11.	814-034C	TIRE RUBBER 1 X 12		
12.	822-170C	BRG .63ID PRESS WHL ASY		
13.	803-088C	NUT HEX LOCK 1/4-20 FLG		

[Table of Contents](#) [Part Number Index](#)

HD10 1 1/4" x 13 1/2" Double Press Wheel

(Applies to 3S-4010HD, 3S-4010HDF only)



27028

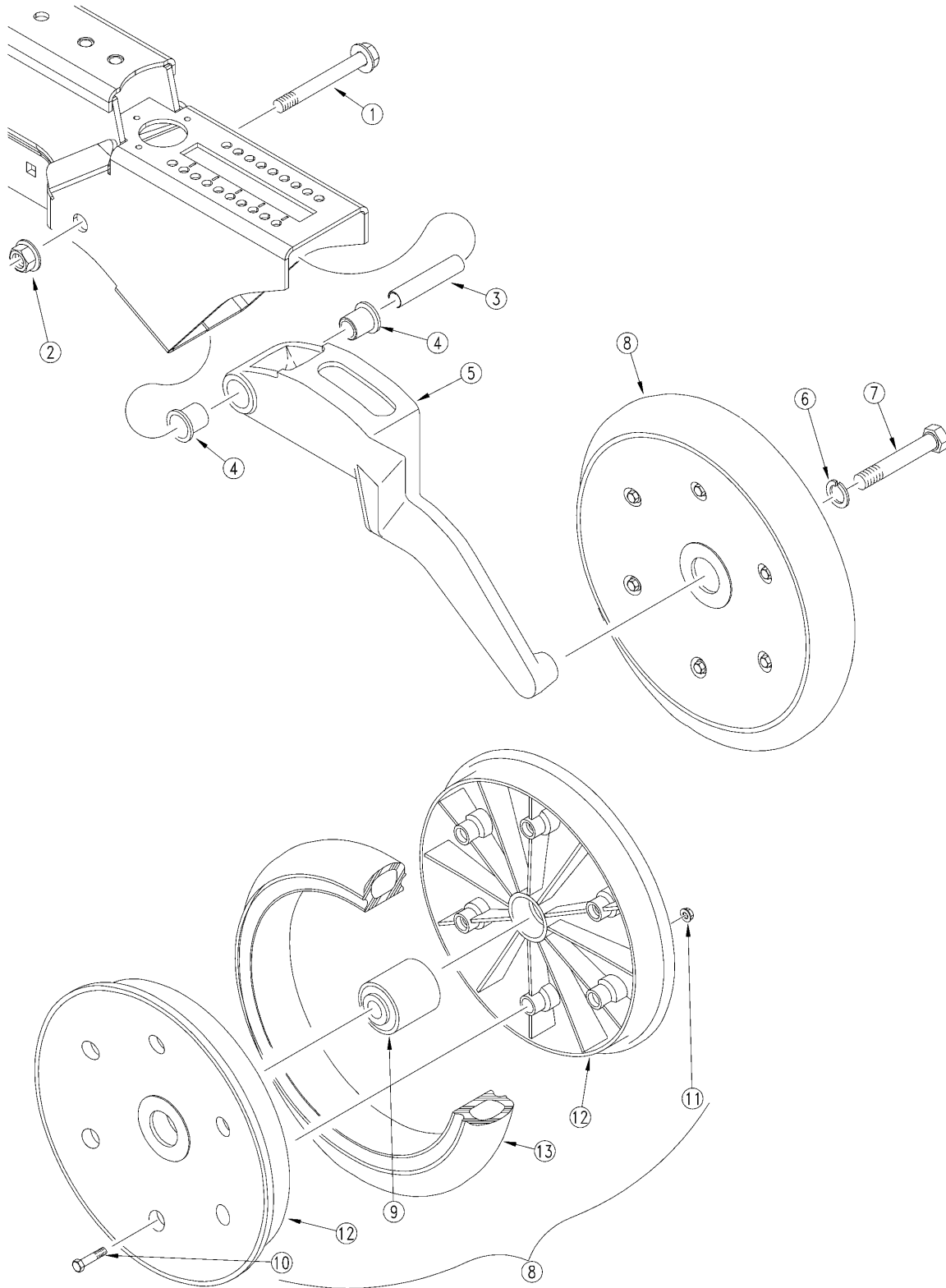
HD10 1 1/4" x 13 1/2" Double Press Wheel

(Applies to 3S-4010HD, 3S-4010HDF only)

Ref	Part No.	Part Description	Comments	Revision
	dwg27028	Image No.		
1.	802-421C	HFS 1/2-13X3 3/4 GR5 SPTH		
2.	803-169C	NUT HEX FLG. LOCK 1/2-13 PLT.		
3.	198-137D	PRESS WHEEL PIVOT TUBE		
4.	817-084C	PARALLEL ARM PIVOT BUSHING		
5.	199-088H	10HD DBL PW ARM WELDMENT RH		
5.	199-089H	10HD DBL PW ARM WELDMENT LH		
6.	802-059C	HHCS 5/8-11X3 GR5		
7.	804-022C	WASHER LOCK SPRING 5/8 PLT		
8.	814-238C	1.25 X 13.5 PRESS WHEEL ASSY	Includes items 10 through 14	
9.	405-031D	1/4 PW SPACER 5/8 DIA		
10.	802-005C	HHCS 1/4-20X1 GR5		
11.	803-088C	NUT HEX LOCK 1/4-20 FLG		
12.	814-244C	1.25X13.5 ANGLE PEAK TIRE		
13.	817-330C	1 X 12 PRESS WHEEL RIM HALF		
14.	822-170C	BRG .63ID PRESS WHL ASY		

HD10 2" x 13" Single Press Wheel

(Applies to 3S-4010HD, 3S-4010HDF only)



24431

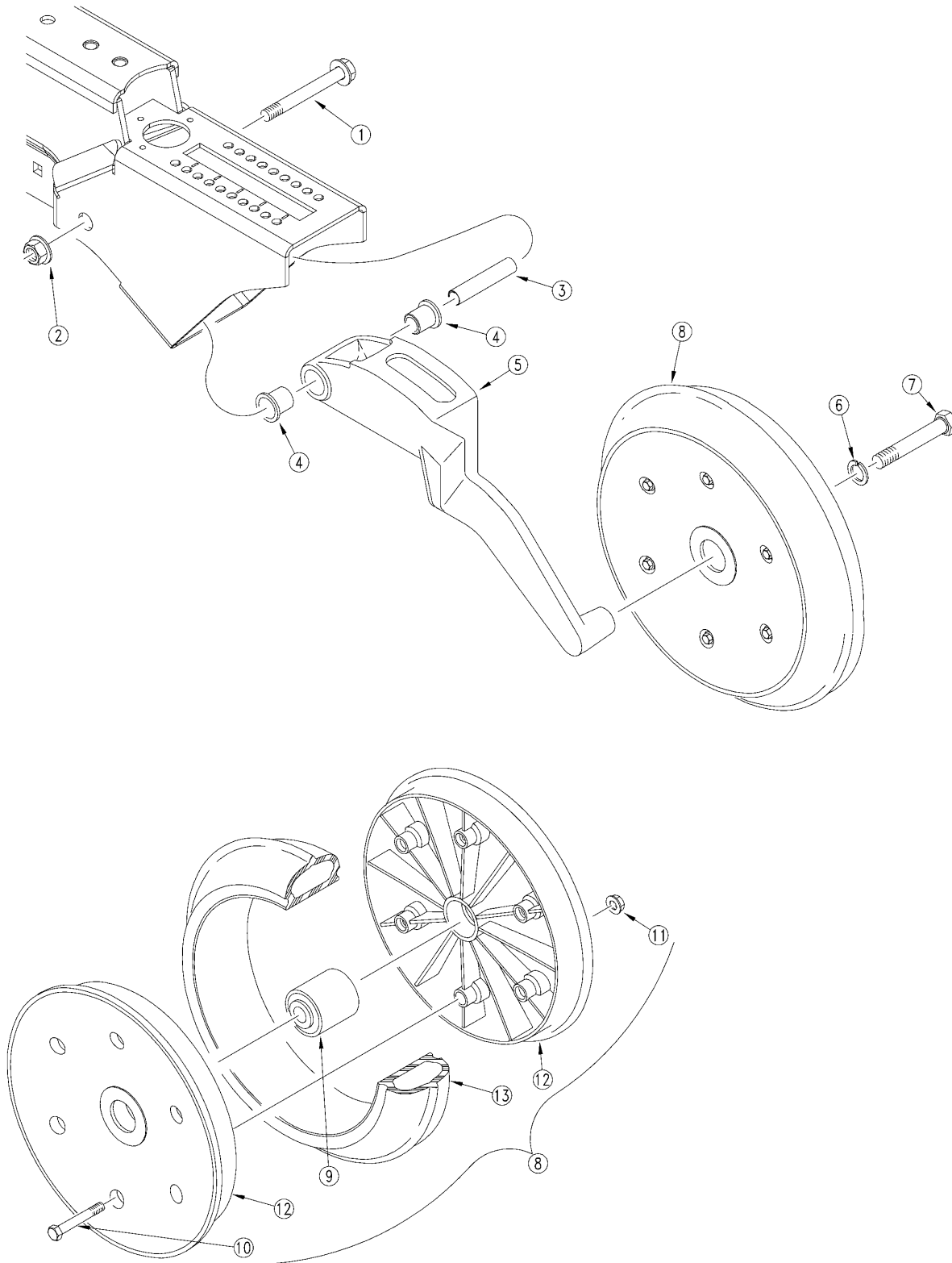
HD10 2" x 13" Single Press Wheel

(Applies to 3S-4010HD, 3S-4010HDF only)

Ref	Part No.	Part Description	Comments	Revision
	dwg24431	Image No.		
1.	802-421C	HFS 1/2-13X3 3/4 GR5 SPTH		
2.	803-169C	NUT HEX FLG. LOCK 1/2-13 PLT.		
3.	198-137D	PRESS WHEEL PIVOT TUBE		
4.	817-084C	PARALLEL ARM PIVOT BUSHING		
5.	202-189D	NG UNIVERSAL PRESS WHEEL ARM		
6.	804-022C	WASHER LOCK SPRING 5/8 PLT		
7.	802-058C	HHCS 5/8-11X2 1/2 GR5		
8.	814-157C	2 X 13 PRESS WHEEL ASSEMBLY	Includes items 9 through 13	
9.	822-170C	BRG .63ID PRESS WHL ASY		
10.	802-617C	HHFS 1/4-20 X 1 1/2 GR 5		
11.	803-088C	NUT HEX LOCK 1/4-20 FLG		
12.	817-296C	2 X 13 PRESS WHEEL RIM HALF		
13.	814-159C	2 X 13 PRESS WHEEL TIRE		

HD10 3" x 13" Single Press Wheel

(Applies to 3S-4010HD, 3S-4010HDF only)



24432

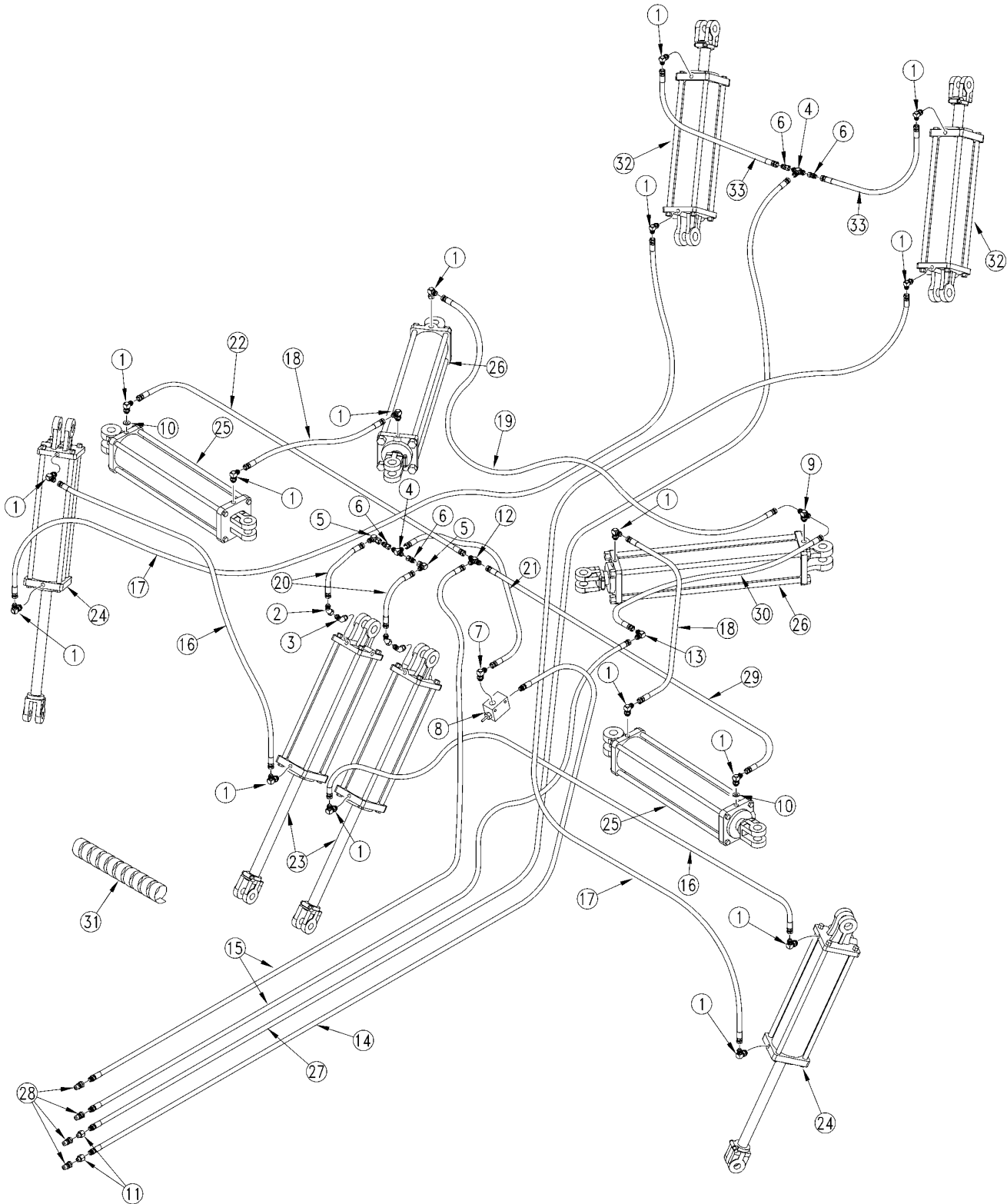
HD10 3" x 13" Single Press Wheel

(Applies to 3S-4010HD, 3S-4010HDF only)

Ref	Part No.	Part Description	Comments	Revision
	dwg24432	Image No.		
1.	802-421C	HFS 1/2-13X3 3/4 GR5 SPTH		
2.	803-169C	NUT HEX FLG. LOCK 1/2-13 PLT.		
3.	198-137D	PRESS WHEEL PIVOT TUBE		
4.	817-084C	PARALLEL ARM PIVOT BUSHING		
5.	202-189D	NG UNIVERSAL PRESS WHEEL ARM		
6.	804-022C	WASHER LOCK SPRING 5/8 PLT		
7.	802-058C	HHCS 5/8-11X2 1/2 GR5		
8.	814-158C	3 X 13 PRESS WHEEL ASSEMBLY	Includes items 9 through 13	
9.	822-170C	BRG .63ID PRESS WHL ASY		
10.	802-618C	HHFS 1/4-20 X 2 GR 5		
11.	803-088C	NUT HEX LOCK 1/4-20 FLG		
12.	817-297C	3 X 13 PRESS WHEEL RIM HALF		
13.	814-160C	3 X 13 PRESS WHEEL TIRE		

Lift and Fold Hydraulics

(Applies to 3S-4010HD, 3S-4010HDF only)



29093

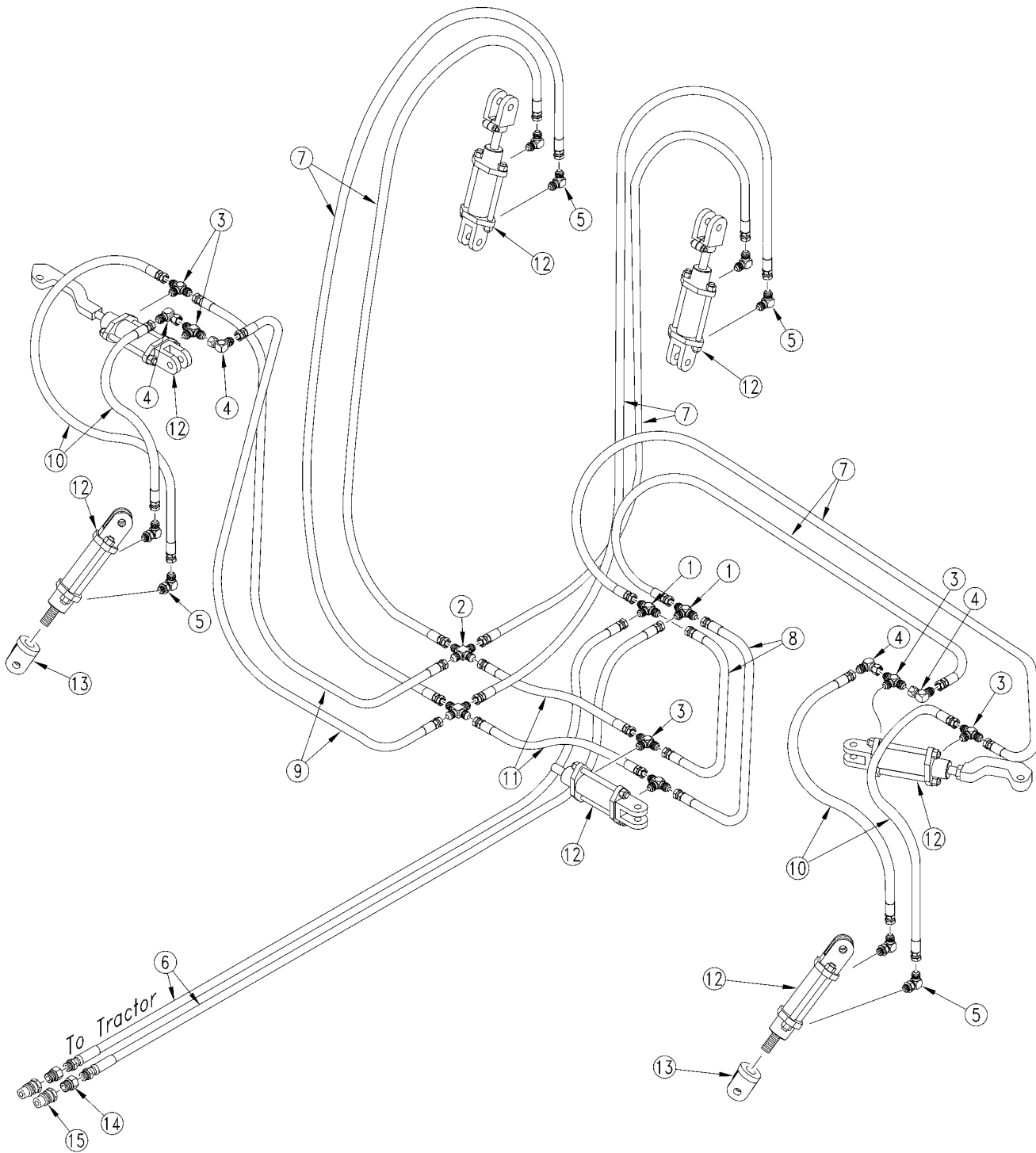
Lift and Fold Hydraulics

(Applies to 3S-4010HD, 3S-4010HDF only)

Ref	Part No.	Part Description	Comments	Revision
	dwg29093	Image No.		
1.	811-063C	EL 3/4MJIC 3/4MORB		
2.	811-040C	EL 45 3/4MJIC 3/4FJIC		
3.	811-690C	EL 45 3/4MORB 3/4MJIC		
4.	811-805C	TE 1 1/16 MJIC		
5.	811-150C	EL 3/4FJIC 3/4MJIC		
6.	811-090C	AD 1 1/16 FJICS 3/4MJIC		
7.	811-411C	EL 1 1/16MJIC 1 1/16MORB		
8.	810-503C	VALVE, STROKE CTRL 35 GPM -12	Refer to "Stroke Control Valve (810-503)" for breakdown	
9.	811-077C	TE 3/4MORB 3/4MJIC 3/4MJIC		
10.	196-430D	ORIFICE PLATE 1/16 3/4		
11.	811-806C	AD 1 1/16 FORB 3/4 MORB		
12.	811-078C	TE 3/4MJIC		
13.	811-725C	EL 90 3/4MJIC		
14.	811-813C	HH3/4R12 531 1.06MORB		
15.	841-056C	HH1/2R2 336 3/4MORB 3/4FJIC		
16.	841-246C	HH1/2R2 320 3/4FJIC		
17.	841-247C	HH1/2R2 478 3/4FJIC		
18.	811-382C	HH1/2R2 256 3/4FJIC		
19.	811-485C	HH1/2R2 100 3/4FJIC 3/4FJIC		
20.	811-268C	HH1/2R2 048 3/4FJIC		
21.	811-811C	HH3/4R12 048 1.06FJIC		
22.	811-810C	HH1/2R2 360 3/4FJIC		
23.	810-496C	CYL REP 5X16X1.5 ROD (TIE)	Refer to "Hydraulic Cylinder (810-496C 5x16x1.5 Rod)" for breakdown	
24.	810-497C	CYL REP 4.75X16X1.5 ROD (TIE)	Refer to "Hydraulic Cylinder (810-497C 4.75x16x1.5 Rod)" for breakdown	
25.	810-500C	CYL REP 5X20X2 ROD (TIE)	Refer to "Hydraulic Cylinder (810-500C 5x20x2 Rod)" for breakdown	
26.	810-499C	CYL REP 5X24X2 ROD (TIE)	Refer to "Hydraulic Cylinder (810-499C 5x24x2 Rod)" for breakdown	
27.	811-814C	HH3/4R12 510 1.06MORB 1.06FJIC		
28.	811-394C	CP 3/4FORB MALE QD POPPET TYPE		
29.	841-249C	HH1/2R2 108 3/4FJIC		
30.	811-846C	HH1/2R2 174 3/4FJIC		
31.	990-223R	SPIRAL HOSE WRAP 2.00 DIA		
32.	810-498C	CYL REP 4.5X16X1.5 ROD (TIE)		
33.	811-617C	HH1/2R2 140 3/4FJIC		

Lock Cylinder Hydraulics

(Applies to 3S-4010HD, 3S-4010HDF only)



27063

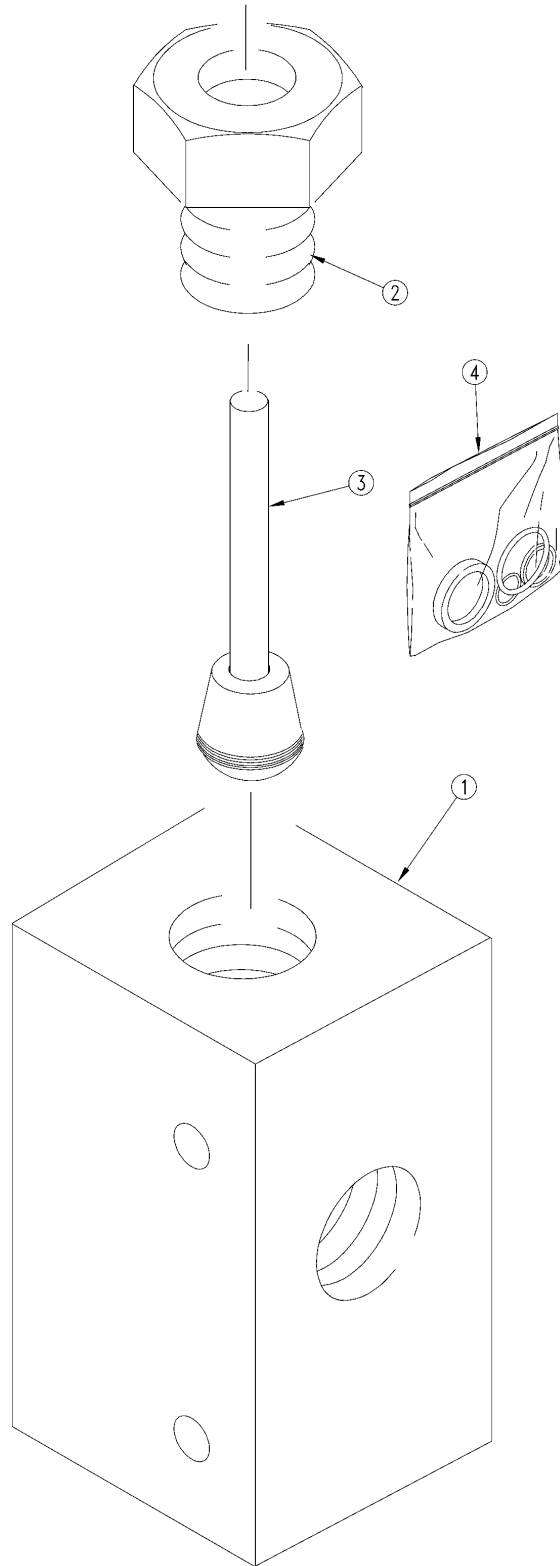
Lock Cylinder Hydraulics

(Applies to 3S-4010HD, 3S-4010HDF only)

Ref	Part No.	Part Description	Comments	Revision
	dwg27063	Image No.		
1.	811-312C	TE 9/16MJIC		
2.	811-581C	CR 9/16MJIC		
3.	811-439C	TE 9/16MORB 9/16MJIC 9/16MJIC		
4.	811-169C	EL 9/16MJIC 9/16FJIC		
5.	811-065C	EL 9/16MJIC 9/16MORB		
6.	841-248C	HH1/4R1 336 9/16MORB 9/16FJIC		
7.	811-230C	HH1/4R1 095 9/16FJIC		
8.	811-781C	HH1/4R1 048 9/16FJIC		
9.	811-876C	HH1/4R1 224 9/16FJIC		
10.	811-226C	HH1/4R1 127 9/16FJIC		
11.	811-212C	HH1/4R1 102 9/16FJIC		
12.	810-201C	CYL 1.5X2.5X.75 ROD (TIE ROD)	Refer to "Hydraulic Cylinder (810-201C 1.5x2.5x.75 Rod)" for breakdown	
13.	810-491C	MIDWAY ROD CLEVIS 3/4-16 UNF		
14.	841-103C	AD 3/4MORB 9/16FORB		
15.	811-394C	CP 3/4FORB MALE QD POPPET TYPE		

Stroke Control Valve (810-503C)

(Applies to 3S-4010HD, 3S-4010HDF only)



20304

Stroke Control Valve (810-503C)

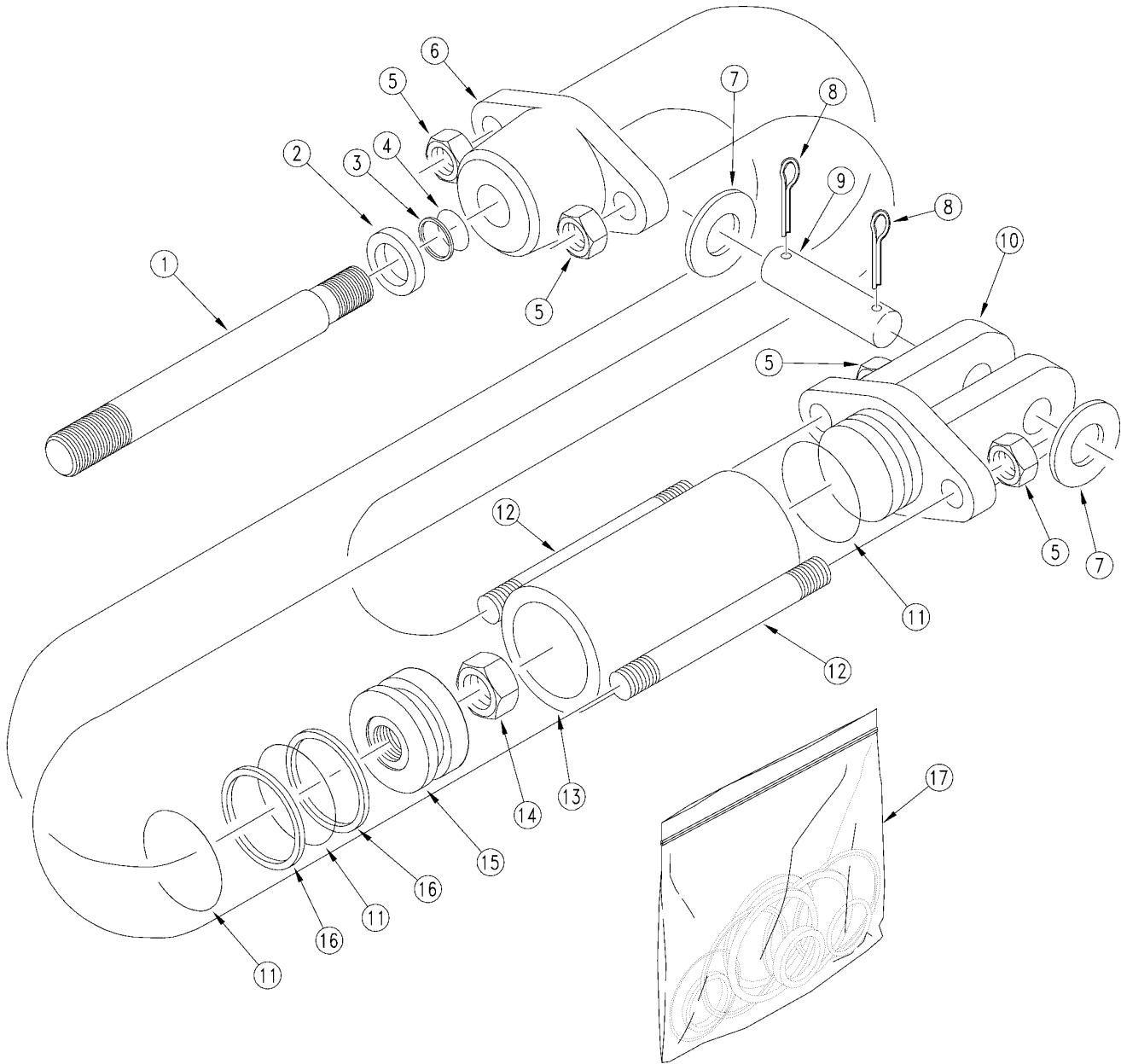
(Applies to 3S-4010HD, 3S-4010HDF only)

Ref	Part No.	Part Description	Comments	Revision
	dwg20304	Image No.		
1.	5424	SHOEMAKER BODY		
2.	8103	SHOEMAKER ASM., PLUG ADAPTER		
3.	5425	SHOEMAKER POPPET		
4.	810-509C	SEAL KIT SHOEMAKER #5468		

[Table of Contents](#) [Part Number Index](#)

Hydraulic Cylinder (810-201C 1.5x2.5x.75 Rod)

(Applies to 3S-4010HD, 3S-4010HDF only)



12822

Hydraulic Cylinder (810-201C 1.5x2.5x.75 Rod)

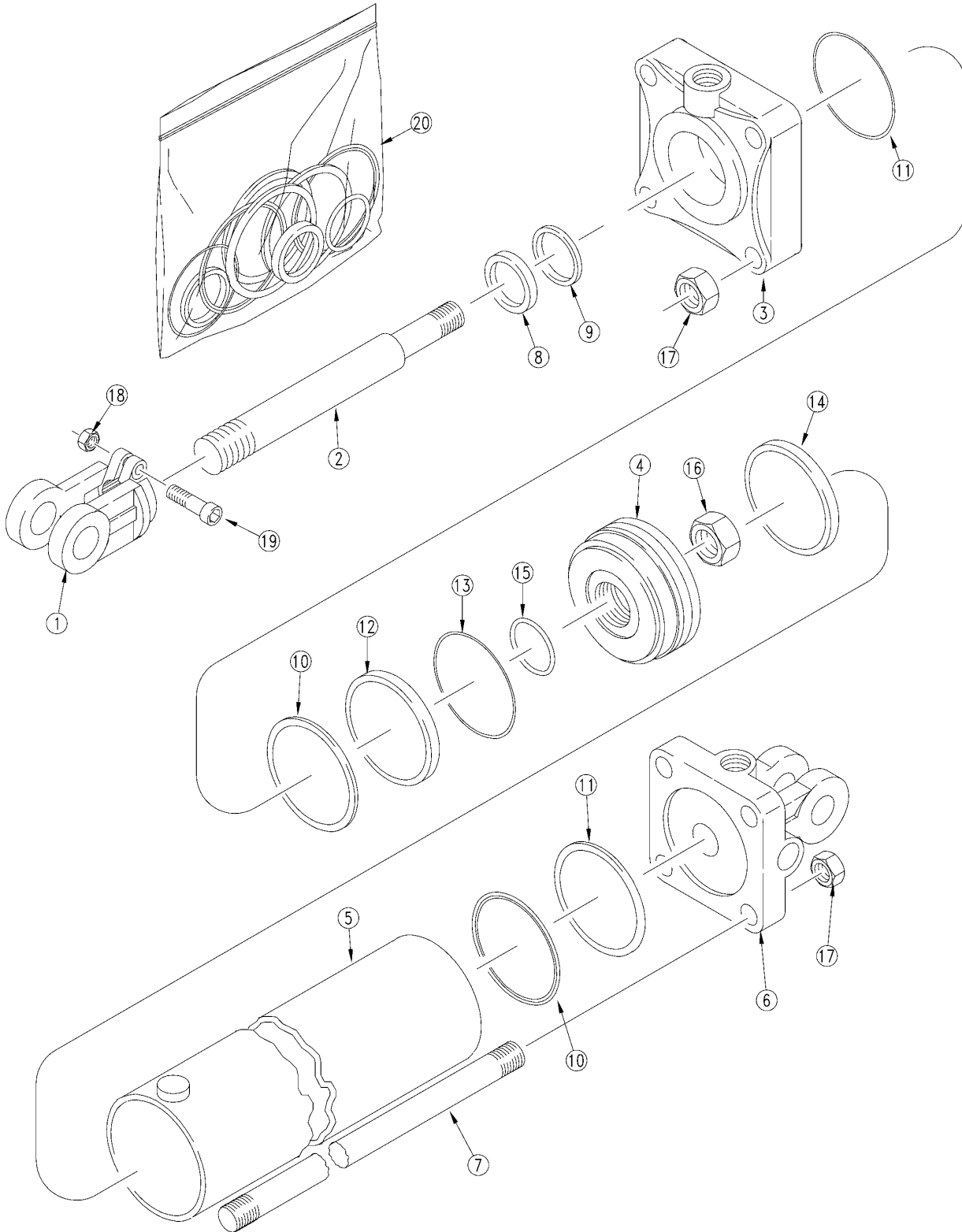
(Applies to 3S-4010HD, 3S-4010HDF only)

Ref	Part No.	Part Description	Comments	Revision
	dwg12822	Image No.		
1.	2M1190	MW ROD		
2.		WIPER SEAL	Only available in item 17	
3.		BACKUP	Only available in item 17	
4.		O-RING	Only available in item 17	
5.	2A0014	MW TIE ROD NUT		
6.	3M1108	MW HEAD		
7.	804-021C	WASHER FLAT 5/8 SAE PLT		
8.	2A0130	MW COTTER PIN		
9.	2A0202	MW CLEVIS PIN		
10.	6M1108	MW BASE		
11.		O-RING	Only available in item 17	
12.	7M1302	MW TIE ROD		
13.	5M1103	MW TUBE		
14.	2A0018	MW TIE ROD NUT		
15.	4M1102	MW PISTON		
16.		BACKUP	Only available in item 17	
17.	810-249C	SEAL KIT MW 3A1102		

[Table of Contents](#) [Part Number Index](#)

Hydraulic Cylinder (810-496C 5x16x1.5 Rod)

(Applies to 3S-4010HD, 3S-4010HDF only)



27230

Hydraulic Cylinder (810-496C 5x16x1.5 Rod)

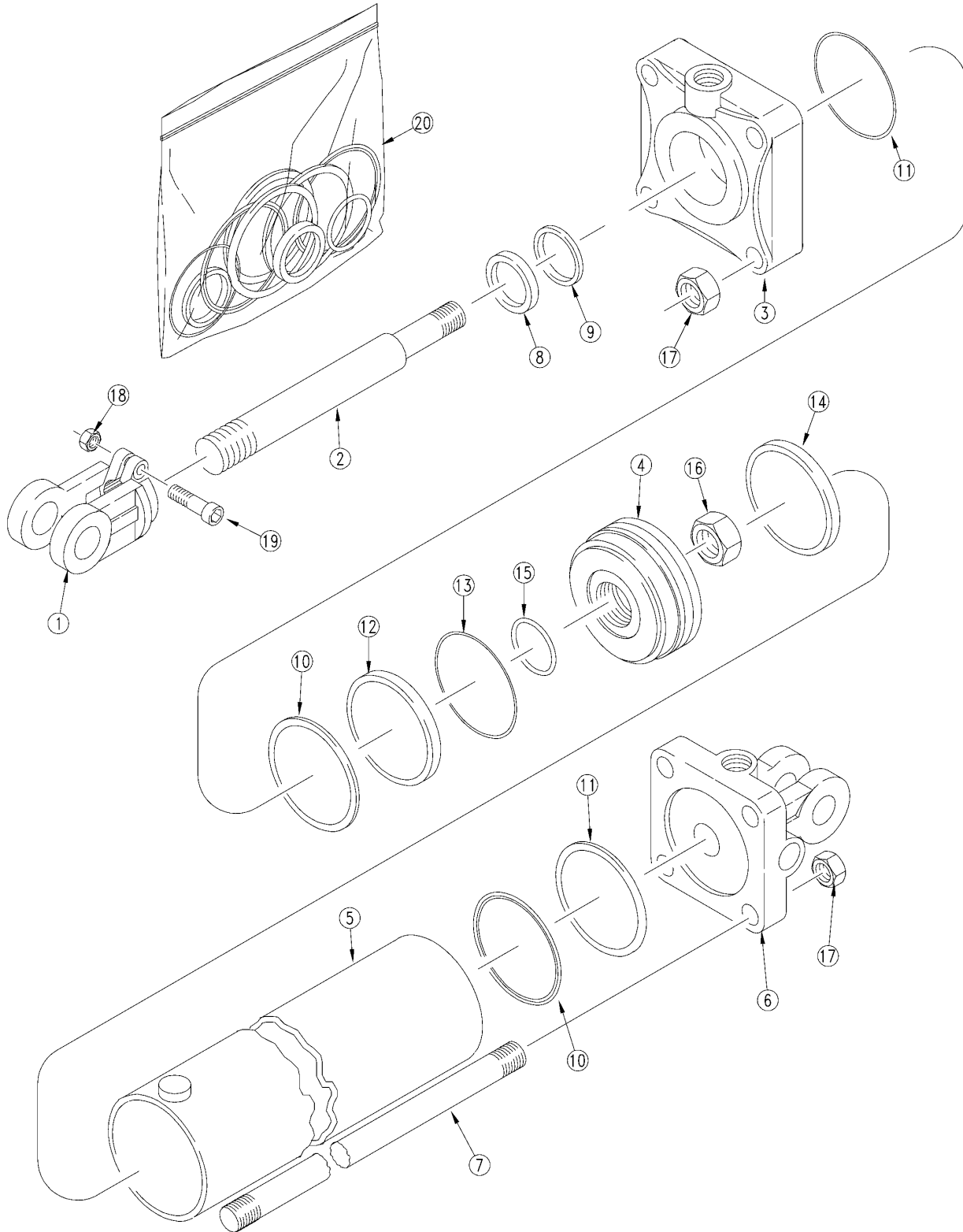
(Applies to 3S-4010HD, 3S-4010HDF only)

Ref	Part No.	Part Description	Comments	Revision
	dwg27230	Image No.		
1.	1M7028	MIDWAY CLEVIS		
2.	2S8522	ROD MIDWAY		
3.	3R9512	MIDWAY HEAD		
4.	4R9108	PISTON MIDWAY		
5.	5R9124	TUBE MIDWAY		
6.	6R9171	BASE MIDWAY		
7.	7M8324	TIE ROD MIDWAY		
8.		MW WIPER	Only available in item 20	
9.		U-CUP	Only available in item 20	
10.		O-RING	Only available in item 20	
11.		MW BACK UP	Only available in item 20	
12.		SEAL, TEFLON MIDWAY	Only available in item 20	
13.		O-RING LOADER MIDWAY	Only available in item 20	
14.		WEAR RING MIDWAY	Only available in item 20	
15.		MW O-RING	Only available in item 20	
16.	2A0025	MW PISTON NUT 1 1/4"-12 UNF		
17.	803-257C	NUT HEX 3/4-16 PLAIN		
18.	803-234C	NUT HEX 3/8-16 PLAIN		
19.	802-023C	HHCS 3/8-16X1 3/4 GR5		
20.	810-507C	SEAL KIT MW (4A9104)		

[Table of Contents](#) [Part Number Index](#)

Hydraulic Cylinder (810-497C 4.75x16x1.5 Rod)

(Applies to 3S-4010HD, 3S-4010HDF only)



27230

Hydraulic Cylinder (810-497C 4.75x16x1.5 Rod)

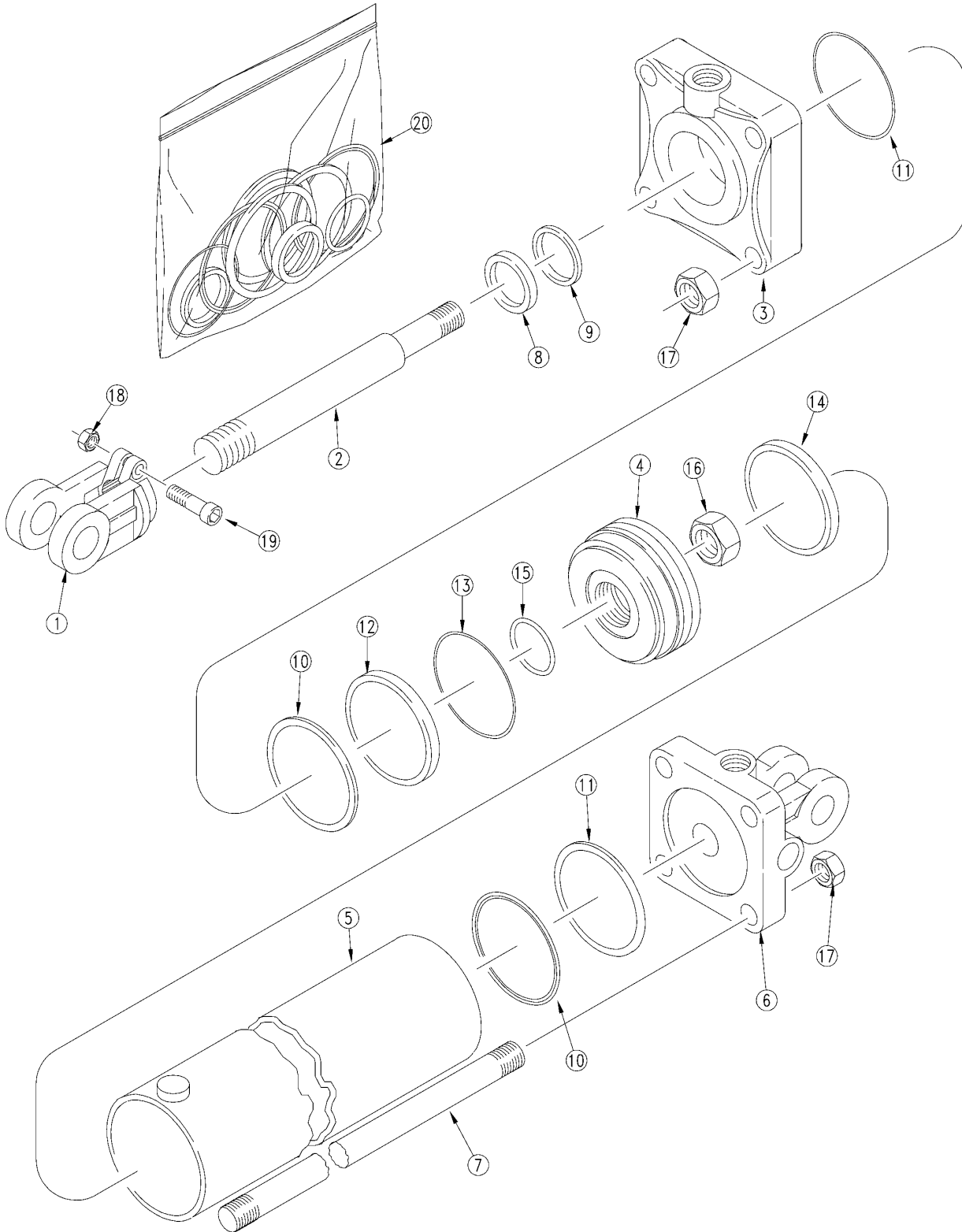
(Applies to 3S-4010HD, 3S-4010HDF only)

Ref	Part No.	Part Description	Comments	Revision
	dwg27230	Image No.		
1.	1M7028	MIDWAY CLEVIS		
2.	2S8522	ROD MIDWAY		
3.	3R8512	MIDWAY HEAD F/ 4 3/4 CYL		
4.	4R8108	PISTON MIDWAY		
5.	5R8124	TUBE MIDWAY		
6.	6R8171	BASE MIDWAY		
7.	7M8324	TIE ROD MIDWAY		
8.		MW WIPER	Only available in item 20	
9.		U-CUP	Only available in item 20	
10.		O-RING MIDWAY	Only available in item 20	
11.		MW BACK UP	Only available in item 20	
12.		SEAL, TEFLON MIDWAY	Only available in item 20	
13.		O-RING LOADER MIDWAY	Only available in item 20	
14.		WEAR RING MIDWAY	Only available in item 20	
15.		MW O-RING	Only available in item 20	
16.	2A0025	MW PISTON NUT 1 1/4"-12 UNF		
17.	803-257C	NUT HEX 3/4-16 PLAIN		
18.	803-234C	NUT HEX 3/8-16 PLAIN		
19.	802-023C	HHCS 3/8-16X1 3/4 GR5		
20.	810-160C	SEAL KIT MW 4.75 RPHCYL 4A8104		

[Table of Contents](#) [Part Number Index](#)

Hydraulic Cylinder (810-498C 4.5x16x1.5 Rod)

(Applies to 3S-4010HD, 3S-4010HDF only)



27230

Hydraulic Cylinder (810-498C 4.5x16x1.5 Rod)

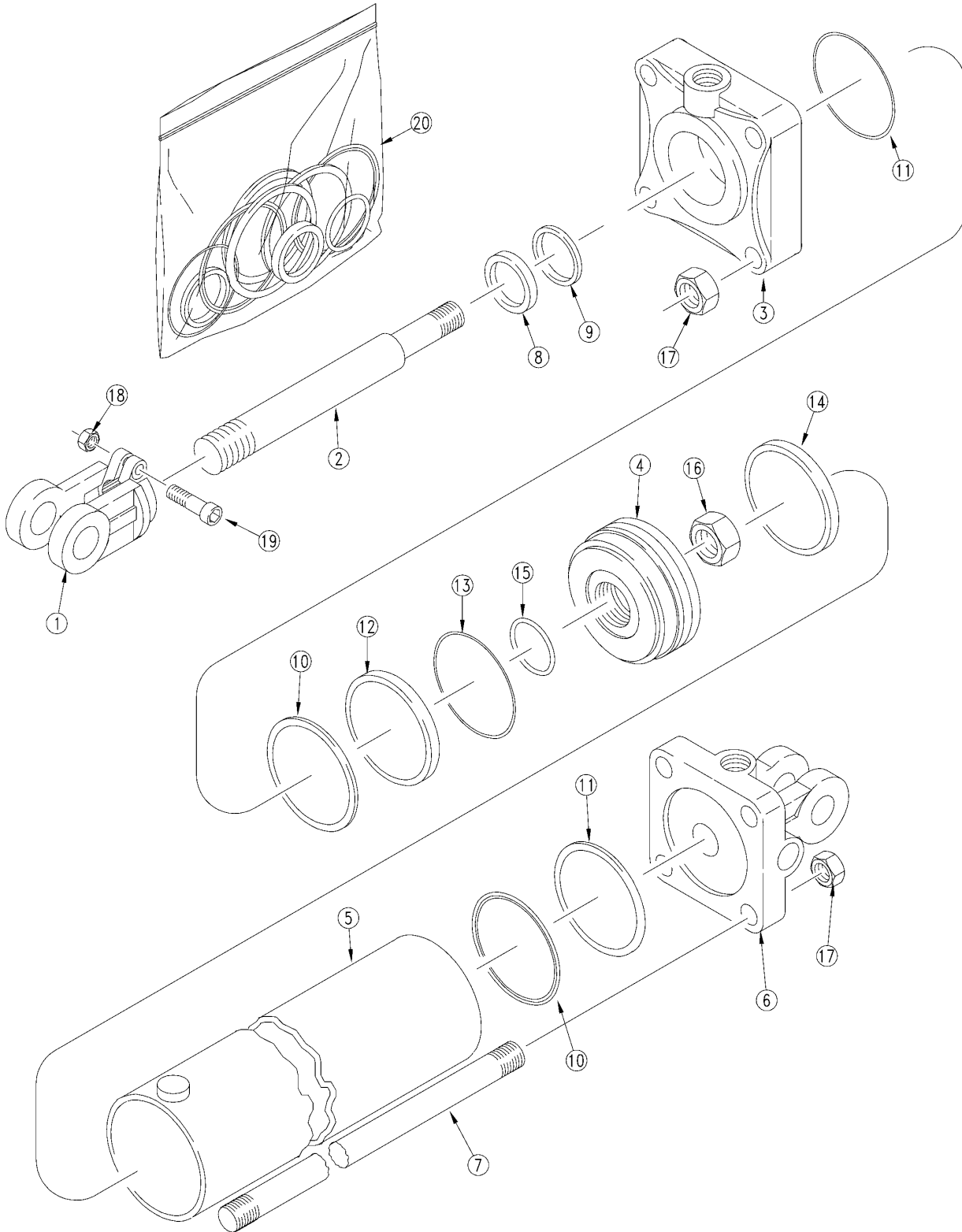
(Applies to 3S-4010HD, 3S-4010HDF only)

Ref	Part No.	Part Description	Comments	Revision
	dwg27230	Image No.		
1.	1M7028	MIDWAY CLEVIS		
2.	2S7584	ROD MIDWAY		
3.	3R7512	HEAD MIDWAY		
4.	4R7112	PISTON MIDWAY		
5.	5R7124	TUBE MIDWAY		
6.	6R7191	BASE MIDWAY		
7.	7M7324	MW TIE ROD		
8.		MW WIPER	Only available in item 20	
9.		U-CUP	Only available in item 20	
10.		O-RING	Only available in item 20	
11.		BACK-UP MIDWAY	Only available in item 20	
12.		SEAL, TEFLON MIDWAY	Only available in item 20	
13.		O-RING LOADER MIDWAY	Only available in item 20	
14.		WEAR RING MIDWAY	Only available in item 20	
15.		MW O-RING	Only available in item 20	
16.	2A0025	MW PISTON NUT 1 1/4"-12 UNF		
17.	803-257C	NUT HEX 3/4-16 PLAIN		
18.	803-234C	NUT HEX 3/8-16 PLAIN		
19.	802-023C	HHCS 3/8-16X1 3/4 GR5		
20.	810-158C	SEAL KIT MW 4.5 RPHCYL 4A7104		

[Table of Contents](#) [Part Number Index](#)

Hydraulic Cylinder (810-499C 5x24x2 Rod)

(Applies to 3S-4010HD, 3S-4010HDF only)



27230

Hydraulic Cylinder (810-499C 5x24x2 Rod)

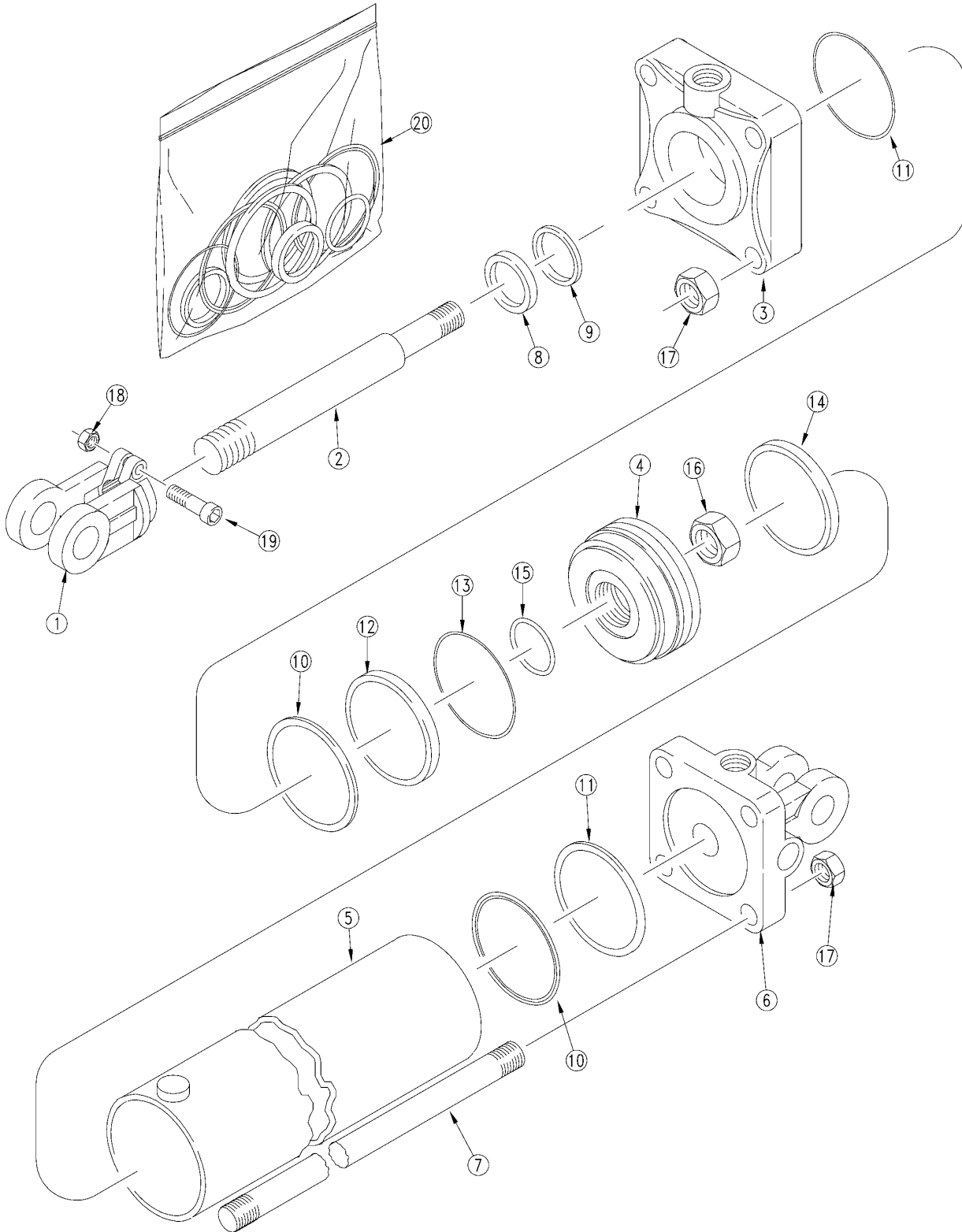
(Applies to 3S-4010HD, 3S-4010HDF only)

Ref	Part No.	Part Description	Comments	Revision
	dwg27230	Image No.		
1.	1M7028	MIDWAY CLEVIS		
2.	2S8698	ROD MIDWAY 5X24X2.0		
3.	3R9612	MW HEAD		
4.	4R9109	PISTON MIDWAY		
5.	5R9932	MIDWAY TUBE		
6.	6R9169	BASE MIDWAY		
7.	7M8332	TIE ROD MIDWAY		
8.		MW WIPER	Only available in item 20	
9.		U-CUP	Only available in item 20	
10.		O-RING	Only available in item 20	
11.		MW BACK UP	Only available in item 20	
12.		TEFLON SEAL	Only available in item 20	
13.		O-RING LOADER MIDWAY	Only available in item 20	
14.		WEAR RING	Only available in item 20	
15.		MW O-RING	Only available in item 20	
16.	2A0025	MW PISTON NUT 1 1/4"-12 UNF		
17.	803-257C	NUT HEX 3/4-16 PLAIN		
18.	803-234C	NUT HEX 3/8-16 PLAIN		
19.	802-023C	HHCS 3/8-16X1 3/4 GR5		
20.	810-508C	SEAL KIT MW (4A9106)		

[Table of Contents](#) [Part Number Index](#)

Hydraulic Cylinder (810-500C 5x20x2 Rod)

(Applies to 3S-4010HD, 3S-4010HDF only)



27230

Hydraulic Cylinder (810-500C 5x20x2 Rod)

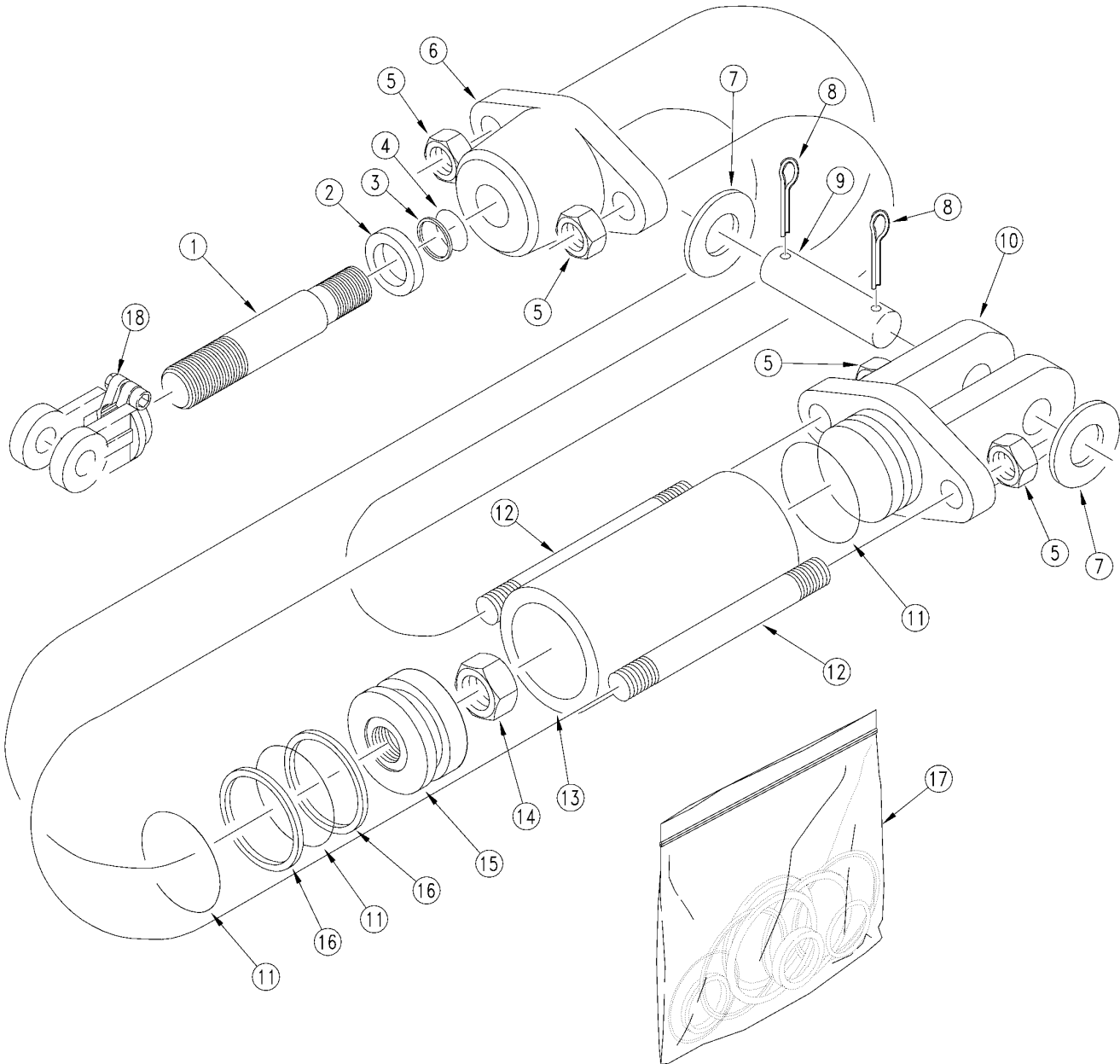
(Applies to 3S-4010HD, 3S-4010HDF only)

Ref	Part No.	Part Description	Comments	Revision
	dwg27230	Image No.		
1.	1M7028	MIDWAY CLEVIS		
2.	2S8694	ROD MIDWAY 5X20X2.0		
3.	3R9612	MW HEAD		
4.	4R9109	PISTON MIDWAY		
5.	5R9928	MIDWAY TUBE		
6.	6R9171	BASE MIDWAY		
7.	7M8328	TIE ROD MIDWAY		
8.		MW WIPER	Only available in item 20	
9.		U-CUP	Only available in item 20	
10.		O-RING	Only available in item 20	
11.		MW BACK UP	Only available in item 20	
12.		TEFLON SEAL	Only available in item 20	
13.		O-RING LOADER MIDWAY	Only available in item 20	
14.		WEAR RING	Only available in item 20	
15.		MW O-RING	Only available in item 20	
16.	2A0025	MW PISTON NUT 1 1/4"-12 UNF		
17.	803-257C	NUT HEX 3/4-16 PLAIN		
18.	803-234C	NUT HEX 3/8-16 PLAIN		
19.	802-023C	HHCS 3/8-16X1 3/4 GR5		
20.	810-508C	SEAL KIT MW (4A9106)		

[Table of Contents](#) [Part Number Index](#)

Hydraulic Cylinder (810-555C 1.5x2.5x.75 Rod)

(Applies to 3S-4010HD, 3S-4010HDF only)



25225

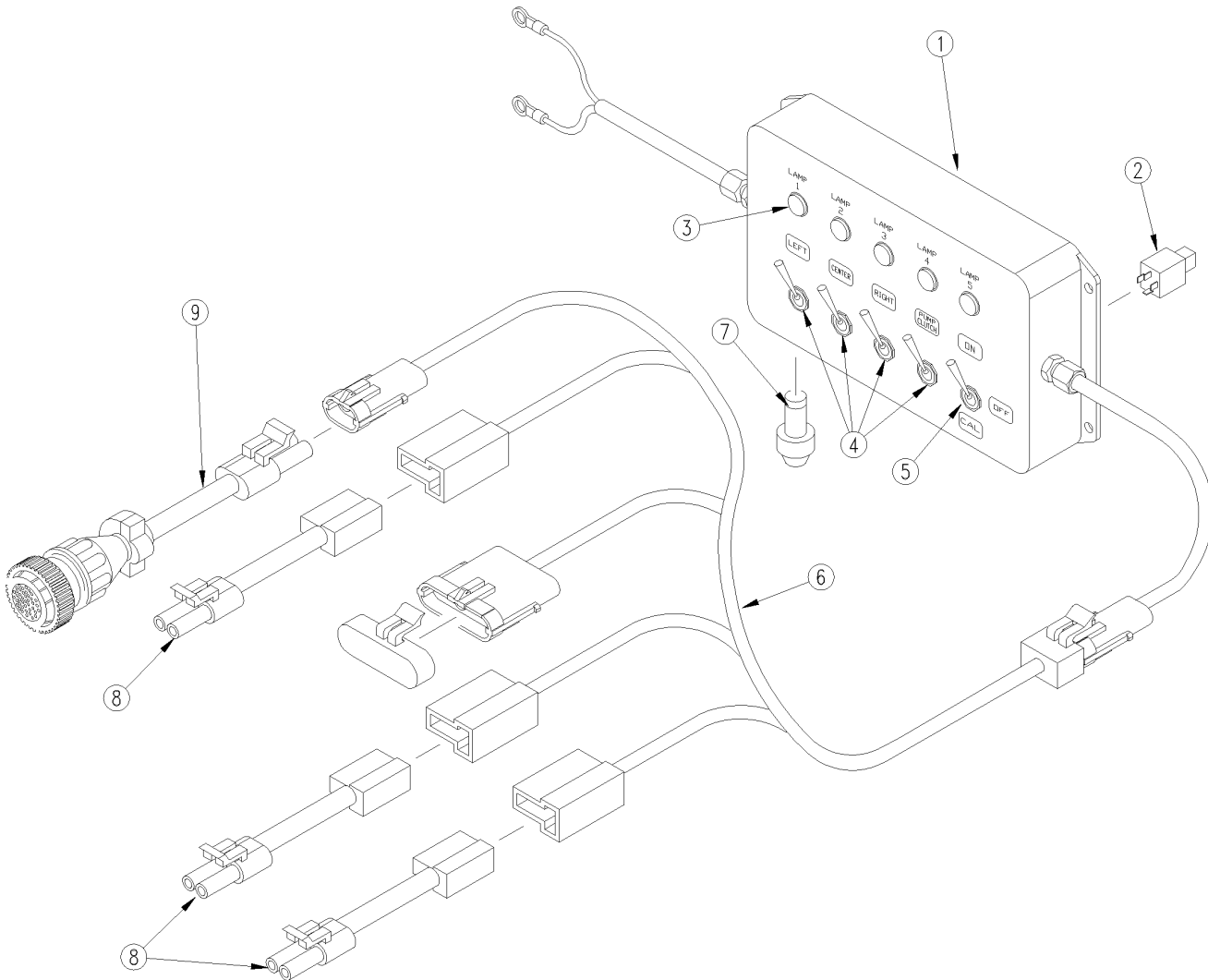
Hydraulic Cylinder (810-555C 1.5x2.5x.75 Rod)

(Applies to 3S-4010HD, 3S-4010HDF only)

Ref	Part No.	Part Description	Comments	Revision
	dwg12822	Image No.		
1.	2M1190	MW ROD		
2.		WIPER SEAL	Only available in item 17	
3.		BACKUP	Only available in item 17	
4.		O-RING	Only available in item 17	
5.	2A0014	MW TIE ROD NUT		
6.	3M1108	MW HEAD		
7.	804-021C	WASHER FLAT 5/8 SAE PLT		
8.	2A0130	MW COTTER PIN		
9.	2A0202	MW CLEVIS PIN		
10.	6M1108	MW BASE		
11.		O-RING	Only available in item 17	
12.	7M1302	MW TIE ROD		
13.	5M1103	MW TUBE		
14.	2A0018	MW TIE ROD NUT		
15.	4M1102	MW PISTON		
16.		BACKUP	Only available in item 17	
17.	810-249C	SEAL KIT MW 3A1102		
18.	810-491C	MIDWAY ROD CLEVIS 3/4-16 UNF		

Point Row

(Applies to 3S-4010HD, 3S-4010HDF only)



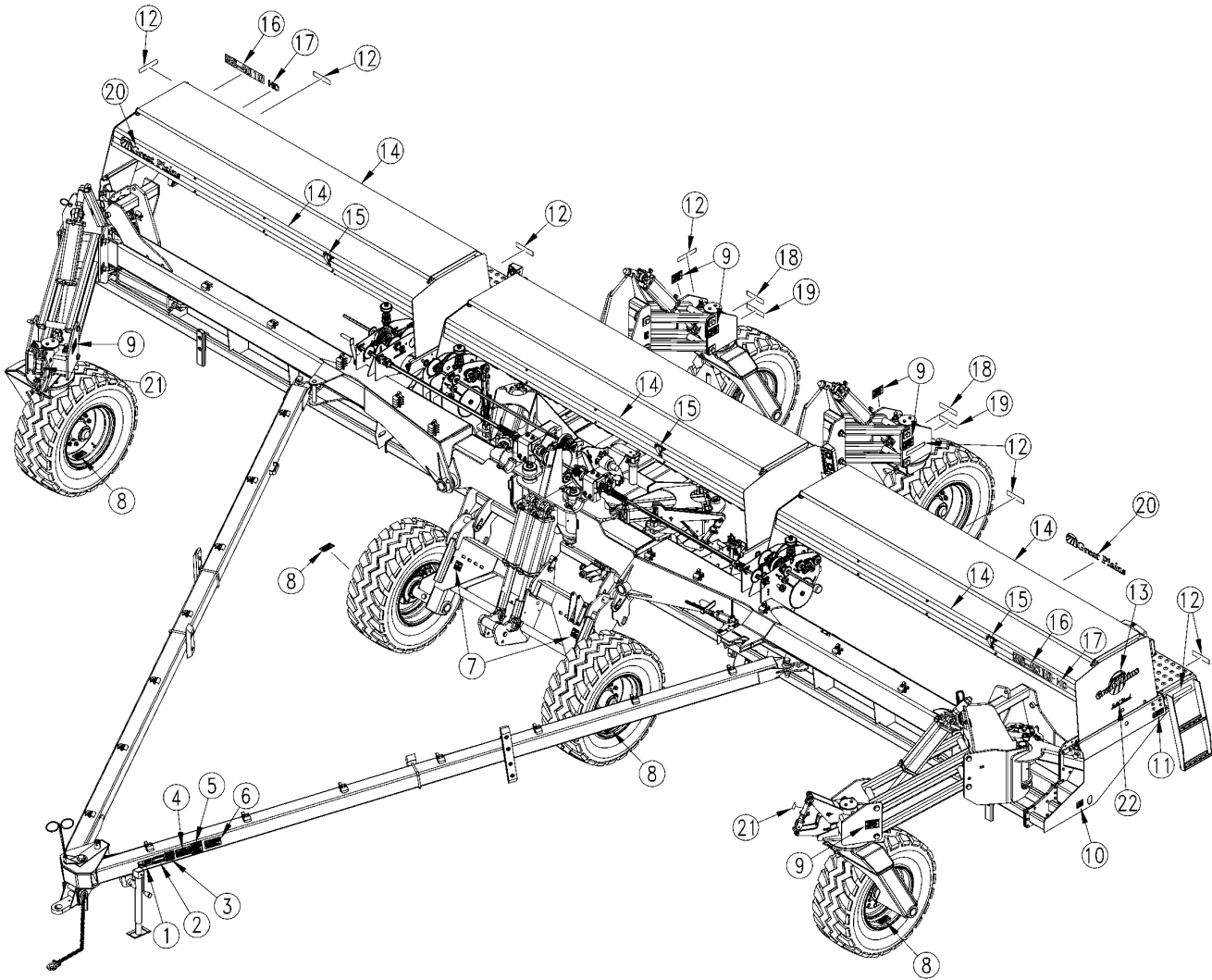
Point Row

(Applies to 3S-4010HD, 3S-4010HDF only)

Ref	Part No.	Part Description	Comments	Revision
	dwg20324	Image No.		
1.	9107083	ELTX 40P CAB CONSOLE - CLUTCH		
2.	4411201	ELECTREX HARNESS REPL PART		
3.	4301117	ELECTREX RED LAMP FOR BOXES		
4.	4100010	ELECTREX HARNESS REPL PART		
5.	4112302	TOGGLE SWITCH 3 POS ELECTREX		
6.	9107084	ELTX 40P DRILL HARNESS-CLUTCH		
7.	4201025	25 AMP FUSE ELECTREX HARNESS		
8.	833-088C	OGURA CLUTCH JUMPER HARNESS		
9.	833-489C	2-WIRE AMP - WEATHERPACK ADAPT		

Decals

(Applies to 3S-4010HD, 3S-4010HDF only)



29122

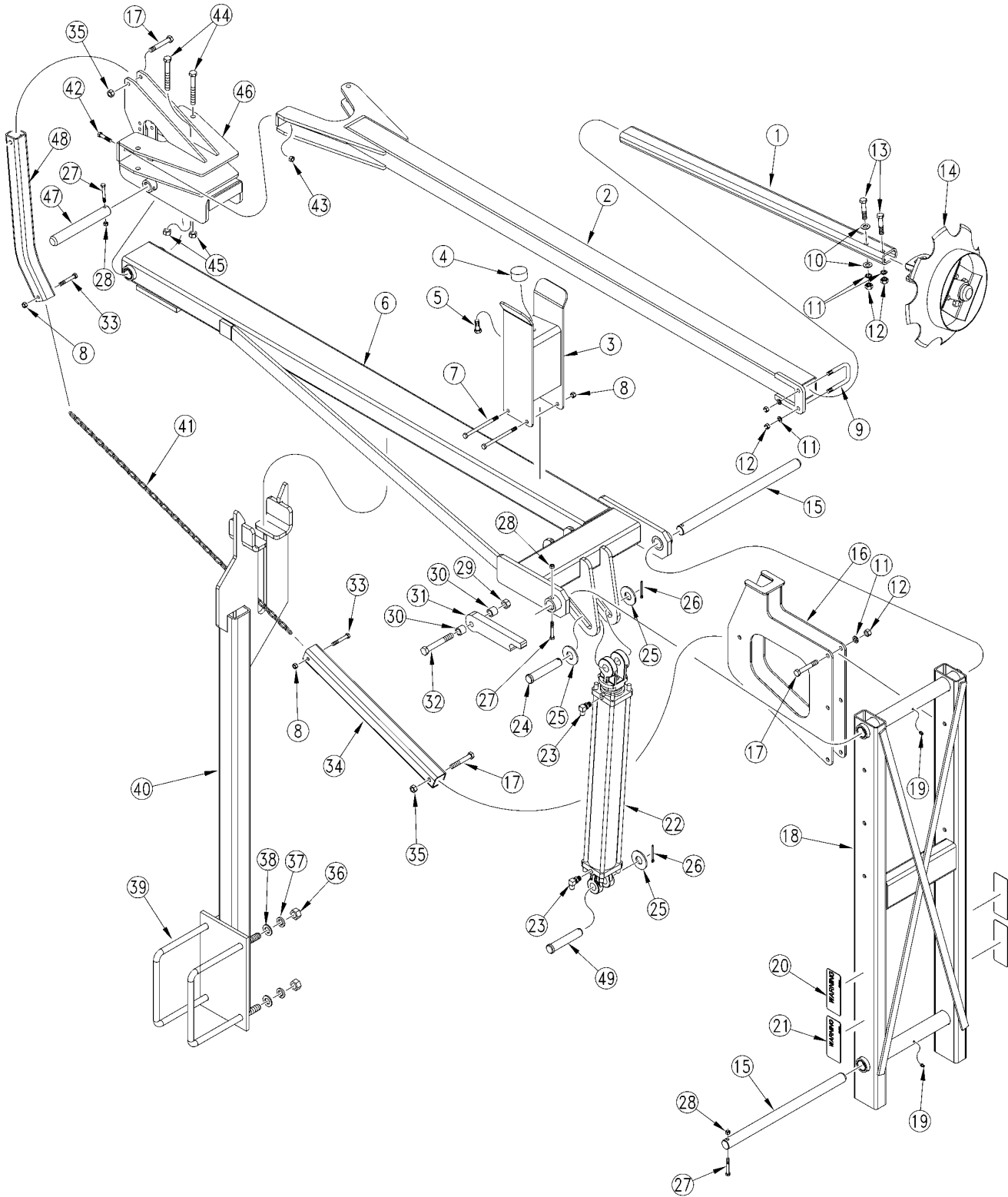
Decals

(Applies to 3S-4010HD, 3S-4010HDF only)

Ref	Part No.	Part Description	Comments	Revision
	dwg29122	Image No.		
1.	818-590C	DECAL DANGER CRUSH TRCTR & 3PT		
2.	818-557C	DECAL DANGER CANNOT READ ENG		
3.	818-339C	DECAL WARNING HIGH PRESSUR SML		
4.	818-043C	DECAL LIFT CYL OPERATING INSTR		
5.	818-587C	DECAL CAUTION OPERATIONAL MACH		
6.	818-188C	DECAL WARNING 20 MPH TRANS LRG		
7.	818-398C	DECAL CAUTION TIRES NOT A STEP		
8.	848-147C	DECAL CAUTION TIRE 85 PSI /265		
9.	818-045C	DECAL WARNING PINCH PT/CRUSH		
10.	838-782C	DECAL 25P GROUND TO FRAME DIST		
11.	838-102C	DECAL WARNING FALLING HAZARD		
12.	838-265C	DECAL REFLECTOR AMBER 1 1/2X9		
13.	838-229C	DECAL GREAT PLAINS ON LOGO LRG		
14.	838-160C	DECAL 3 COLOR STRIPE 2.50 WIDE		
15.	838-237C	DECAL SEED LEVEL LH		
16.	848-375C	DECAL 3S-4010		
17.	838-828C	DECAL HD		
18.	838-266C	DECAL REFLECTOR RED 1 1/2X9		
19.	838-267C	DECAL REFLECTR DAYTIME 1 1/2X9		
20.	838-161C	DECAL LOGO&GP F/STRIPE 4 X 24		
21.	838-169C	DECAL SCRIPT SOLID STAND LARGE		
22.	848-380C	DECAL LOCK CYLINDER FUNCTION		

Marker Arm

(Applies to 3S-4010HD, 3S-4010HDF only)



20287

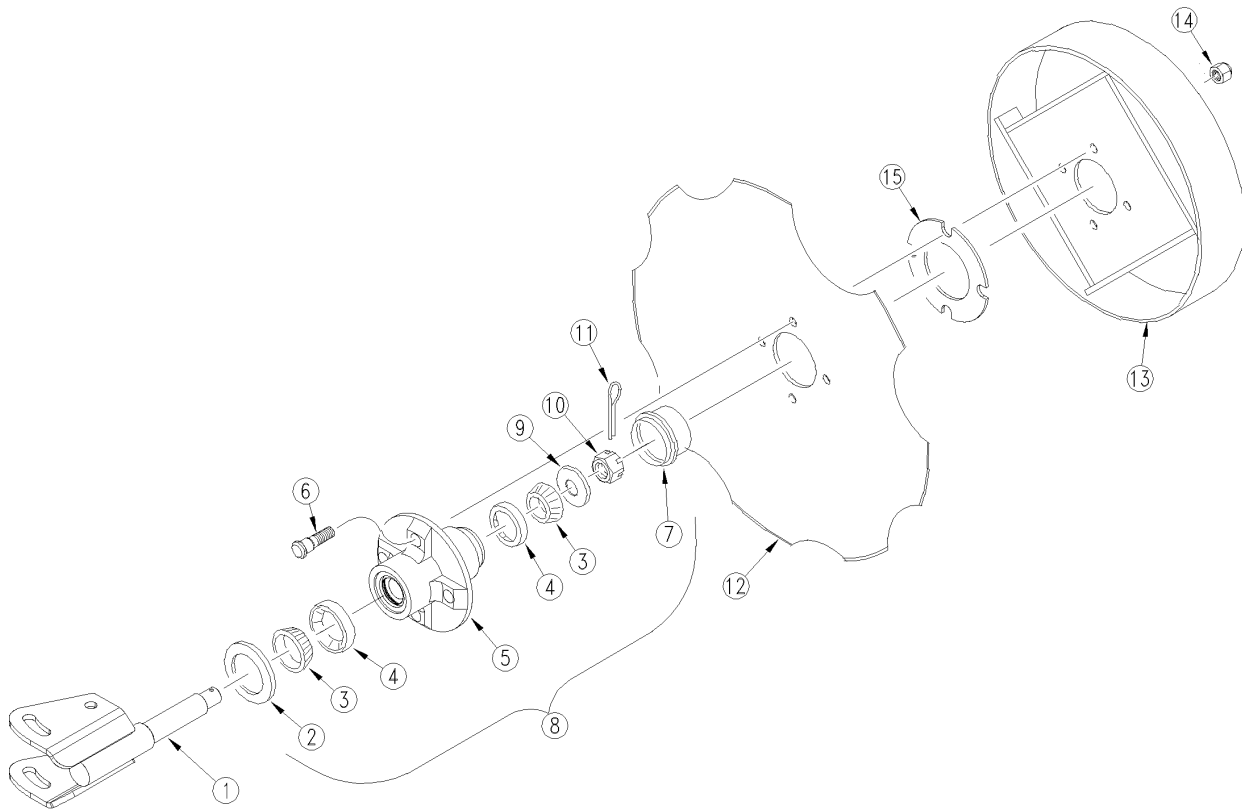
Marker Arm

(Applies to 3S-4010HD, 3S-4010HDF only)

Ref	Part No.	Part Description	Comments	Revision
	dwg20287	Image No.		
1.	113-779H	40P MARKER EXT TUBE WLDMT		
2.	113-793H	MARKER SHEAR ARM 40P		
3.	113-725H	3S-4000 MARKER REST BRKT WLMT		
4.	816-170C	RD BUMP STOP 2 X 1 X 1/2-13		
5.	802-032C	HHCS 1/2-13X3/4 GR5		
6.	113-716H	3S-4000 MARKER 2ND SEC WLMT LH	Shown	
6.	113-717H	3S-4000 MARKER 2ND SEC WLMT RH		
7.	802-381C	HHCS 3/8-16X6 GR5		
8.	803-013C	NUT LOCK 3/8-16 PLT		
9.	806-010C	U-BOLT 1/2-13 X 2 1/2 X 3 1/2		
10.	804-017C	WASHER FLAT 1/2 USS PLT		
11.	804-015C	WASHER LOCK SPRING 1/2 PLT		
12.	803-020C	NUT HEX 1/2-13 PLT		
13.	802-044C	HHCS 1/2-13X4 GR5		
14.	113-790S	40P MARKER DISC & HUB ASSEMBLY	Refer to Marker Disk and Hub (113-790S) for breakdown	
15.	113-686D	3S-4000 MARKER HINGE PIN LG		
16.	113-722H	3S-4000 MARKER TRANS BRC WLMT		
17.	802-099C	HHCS 1/2-13X3 1/4 GR5		
18.	113-715H	3S-4000 MARKER 1ST SEC WLMT		
19.	800-001C	GREASE ZERK STRAIGHT 1/4-28		
20.	818-580C	DECAL WARNING OVERHEAD MKR HAZ		
21.	818-579C	DECAL WARNING PINCH/SHEAR HAZ		
22.	810-423C	CYL 3X24X1.50 ROD (TIE ROD)	Refer to Hydraulic Cylinder (810-423C 3x24x1.5 Rod) for breakdown	
23.	811-065C	EL 9/16MJIC 9/16MORB		
24.	805-131C	PIN CLEVIS 1 X 4 11/16 USABLE		
25.	804-028C	WASHER FLAT 1 USS PLT		
26.	805-058C	PIN COTTER 3/16 X 2		
27.	802-138C	HHCS 5/16-18X2 1/4 GR5		
28.	803-011C	NUT LOCK 5/16-18 PLT		
29.	803-024C	NUT LOCK 5/8-11 PLT		
30.	113-683D	3S-4000 MARKER CYL PIN SPACER		
31.	113-682D	3S-4000 MARKER CYL PIN LOCK		
32.	802-100C	HHCS 5/8-11X4 1/2 GR5		
33.	802-114C	HHCS 3/8-16X2 1/2 GR5		
34.	113-685D	3S-4000 MARKER LIFT ARM		
35.	803-019C	NUT LOCK 1/2-13 PLT		
36.	803-027C	NUT HEX 3/4-10 PLT		
37.	804-023C	WASHER LOCK SPRING 3/4 PLT		
38.	804-025C	WASHER FLAT 3/4 SAE PLT		
39.	806-172C	U-BOLT 3/4-10 X 10 1/32X11 1/2		
40.	113-780H	40P MARKER TRANS REST WLDMT		
41.	113-717D	CHAIN COIL 1/4 HIGH TEST 73 IN		
42.	802-589C	HHCS 7/16-14X2 GR5		
43.	803-200C	NUT HEX LOCK 7/16-14 PLT		
44.	802-062C	HHCS 5/8-11X5 GR5		
45.	803-024C	NUT LOCK 5/8-11 PLT		
46.	113-792H	MARKER SHEAR BASE		
47.	113-687D	3S-4000 MARKER HING PIN SHORT		
48.	113-790D	MARKER LIFT ARM TUBE BENT		
49.	805-004C	PIN CLEVIS 1 X 2 3/4 USABLE LG		

Marker Disk and Hub (113-790S)

(Applies to 3S-4010HD, 3S-4010HDF only)



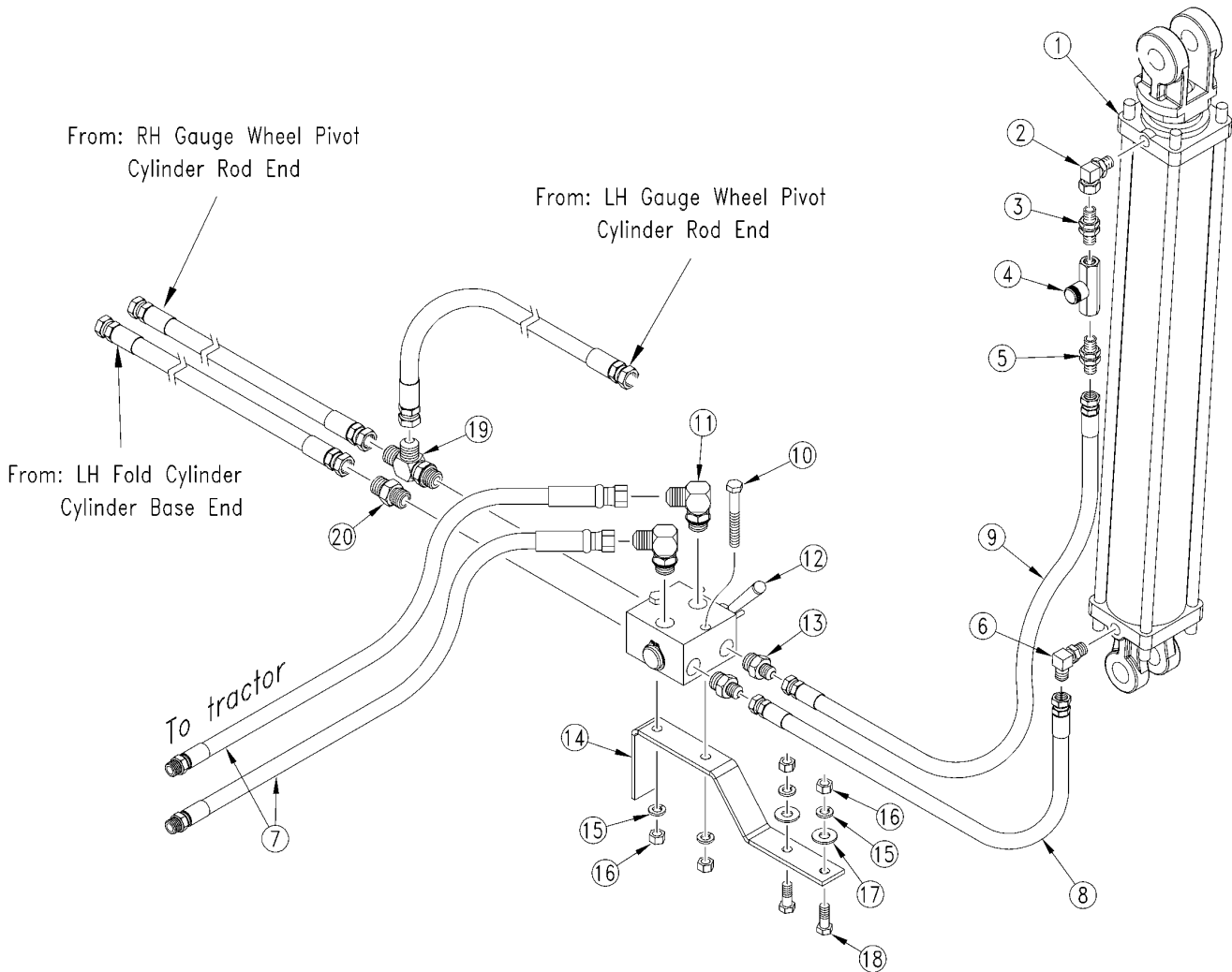
Marker Disk and Hub (113-790S)

(Applies to 3S-4010HD, 3S-4010HDF only)

Ref	Part No.	Part Description	Comments	Revision
	dwg	Image No.		
1.	113-789H	40P 1 SPINDLE MARKER WELDMENT		
2.	816-014C	TINE GAUGE WHEEL HUB SEAL		
3.	822-030C	BRG CONE 1.00ID L44643		
4.	822-080C	BRG CUP 1.98OD L44610		
5.	1-100-02-00	RELIABLE HUB 4 BOLT		
6.	B0-47	NEILSON STUD 1/2-20UNFX1 13/16		
6.	802-125C	RPBY BO-47		
7.	890-614C	GREASE CAP #1505		
8.	815-001C	TINE GW HUB	Includes items 3 thru 8 & 15.	
9.	804-025C	WASHER FLAT 3/4 SAE PLT		
10.	803-053C	NUT HEX SLOTTED 3/4-16		
11.	805-019C	PIN COTTER 5/32 X 1 PLT		
12.	820-094C	16 4-BOLT NOTCHED MARKER DISK		
12.	820-098C	14 4-BOLT MARKER DISK		
13.	113-369H	DEPTH BAND 10 4-BOLT 4B.C.		
14.	803-159C	NUT LUG 1/2-20X60DEG PLT(.75AF		

LH Marker Hydraulics

(Applies to 3S-4010HD, 3S-4010HDF only)



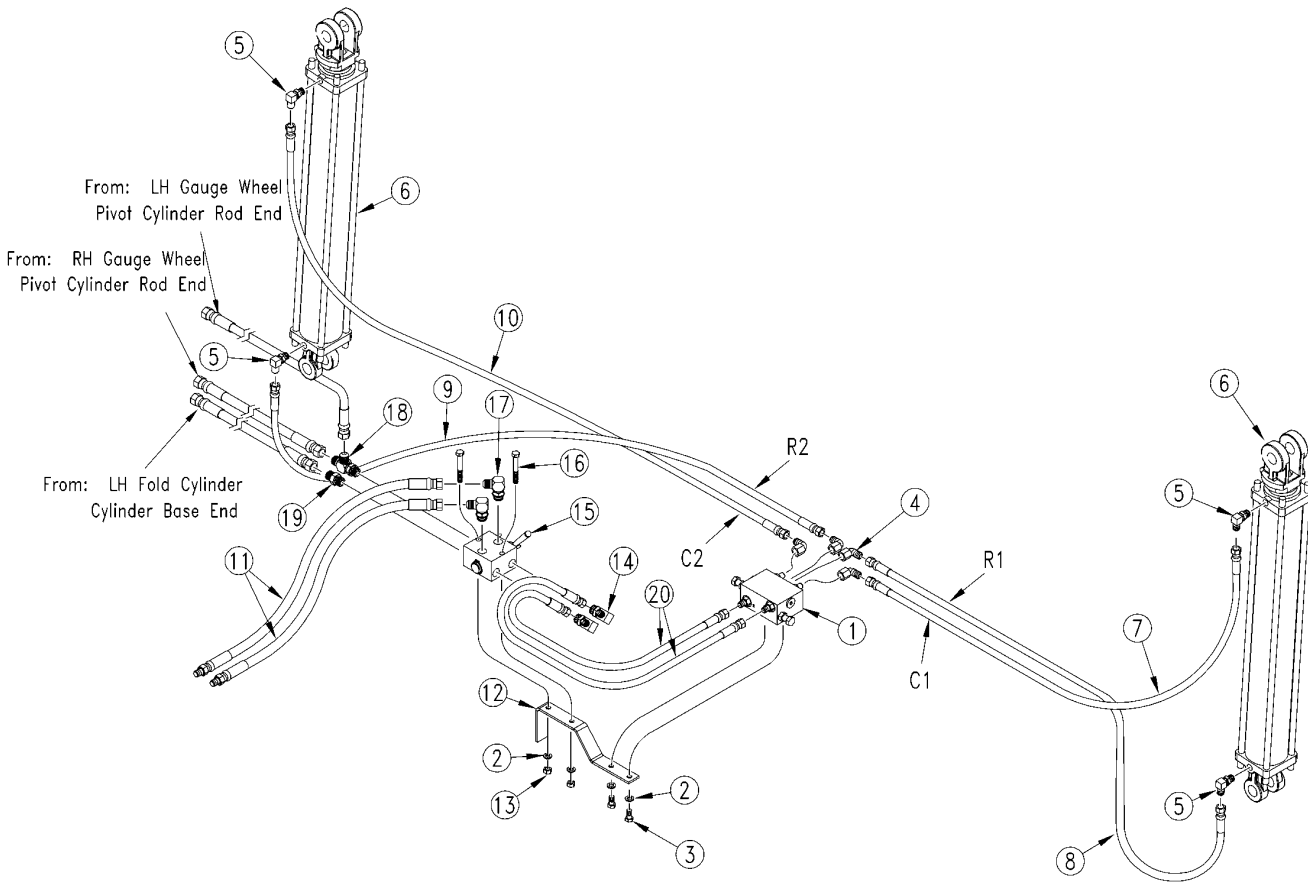
LH Marker Hydraulics

(Applies to 3S-4010HD, 3S-4010HDF only)

Ref	Part No.	Part Description	Comments	Revision
	dwg27180	Image No.		
1.	810-423C	CYL 3X24X1.50 ROD (TIE ROD)	Refer to "Hydraulic Cylinder (810-423C 3X24X1.50 Rod)" for breakdown	
2.	811-281C	EL 3/8FNPT 9/16MORB		
3.	811-044C	AD 3/8MNPT		
4.	810-058C	VALVE 3/8 NEEDLE		
5.	811-151C	AD 9/16MJIC 3/8MNPT		
6.	811-065C	EL 9/16MJIC 9/16MORB		
7.	841-248C	HH1/4R1 336 3/4MORB 9/16FJIC		
8.	811-217C	HH3/8R1 114 9/16FJIC		
9.	811-586C	HH3/8R1 134 9/16FJIC		
10.	802-216C	HHCS 3/8-16X2 3/4 GR5		
11.	811-063C	EL 3/4MJIC 3/4MORB		
12.	810-274C	DOUBLE SELECTOR VALVE 3/4FORB	Refer to "Double Selector Valve (810-274C)" for breakdown	
13.	811-133C	AD 9/16MJIC 3/4MORB		
14.	196-862D	SELECTOR VALVE MOUNT STRAP		
15.	804-013C	WASHER LOCK SPRING 3/8 PLT		
16.	803-014C	NUT HEX 3/8-16 PLT		
17.	804-011C	WASHER FLAT 3/8 USS PLT		
18.	802-017C	HHCS 3/8-16X1 GR5		
19.	811-080C	TE 3/4MJIC 3/4MORB 3/4MJIC		
20.	811-088C	AD 3/4MORB 3/4MJIC		

Dual Marker Hydraulics

(Applies to 3S-4010HD, 3S-4010HDF only)



27181

Dual Marker Hydraulics

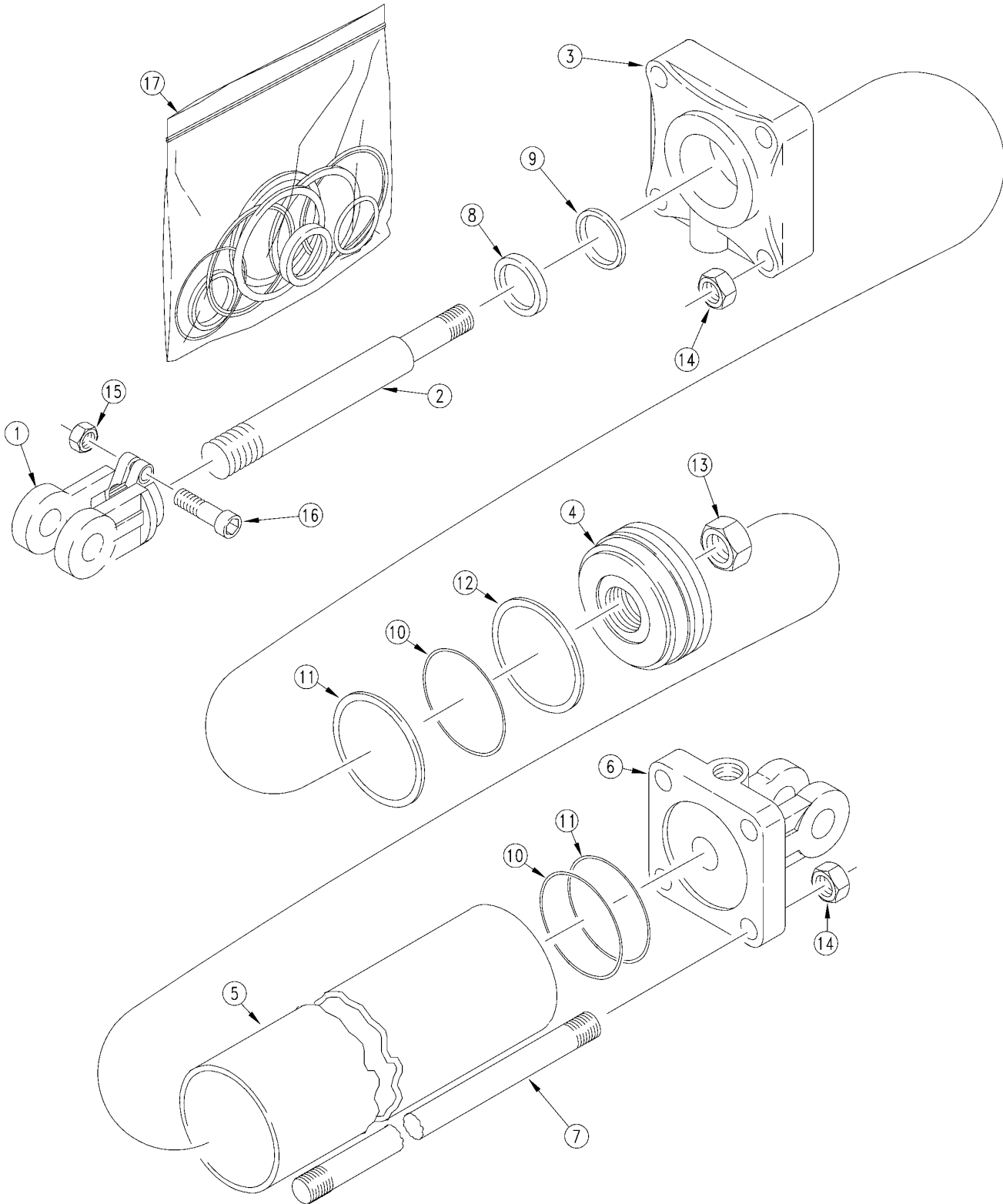
(Applies to 3S-4010HD, 3S-4010HDF only)

Ref	Part No.	Part Description	Comments	Revision
	dwg27181	Image No.		
1.	810-422C	VALVE,SEQ SHOEMAKER HI FLO	Refer to "Sequence Valve (810-422C)" for breakdown	
2.	804-013C	WASHER LOCK SPRING 3/8 PLT		
3.	802-014C	HHCS 3/8-16X3/4 GR5		
4.	811-169C	EL 9/16MJIC 9/16FJIC		
5.	811-065C	EL 9/16MJIC 9/16MORB		
6.	810-423C	CYL 3X24X1.50 ROD (TIE ROD)	Refer to "Hydraulic Cylinder (810-423C 3x24x1.5 Rod)" for breakdown	
7.	811-586C	HH3/8R1 134 9/16FJIC		
8.	811-217C	HH3/8R1 114 9/16FJIC		
9.	811-803C	HH3/8R1 372 9/16FJIC		
10.	811-804C	HH3/8R1 396 9/16FJIC		
11.	841-248C	HH1/4R1 336 3/4MORB 9/16FJIC		
12.	196-862D	SELECTOR VALVE MOUNT STRAP		
13.	803-014C	NUT HEX 3/8-16 PLT		
14.	811-171C	EL 3/4MORB 9/16MJIC		
15.	810-274C	DOUBLE SELECTOR VALVE 3/4FORB	Refer to "Double Selector Valve (810-274C)" for breakdown	
16.	802-216C	HHCS 3/8-16X2 3/4 GR5		
17.	811-063C	EL 3/4MJIC 3/4MORB		
18.	811-080C	TE 3/4MJIC 3/4MORB 3/4MJIC		
19.	811-088C	AD 3/4MORB 3/4MJIC		
20.	811-364C	HH3/8R1 026 9/16FJIC		

[Table of Contents](#) [Part Number Index](#)

Hydraulic Cylinder (810-423C 3x24x1.5 Rod)

(Applies to 3S-4010HD, 3S-4010HDF only)



18964

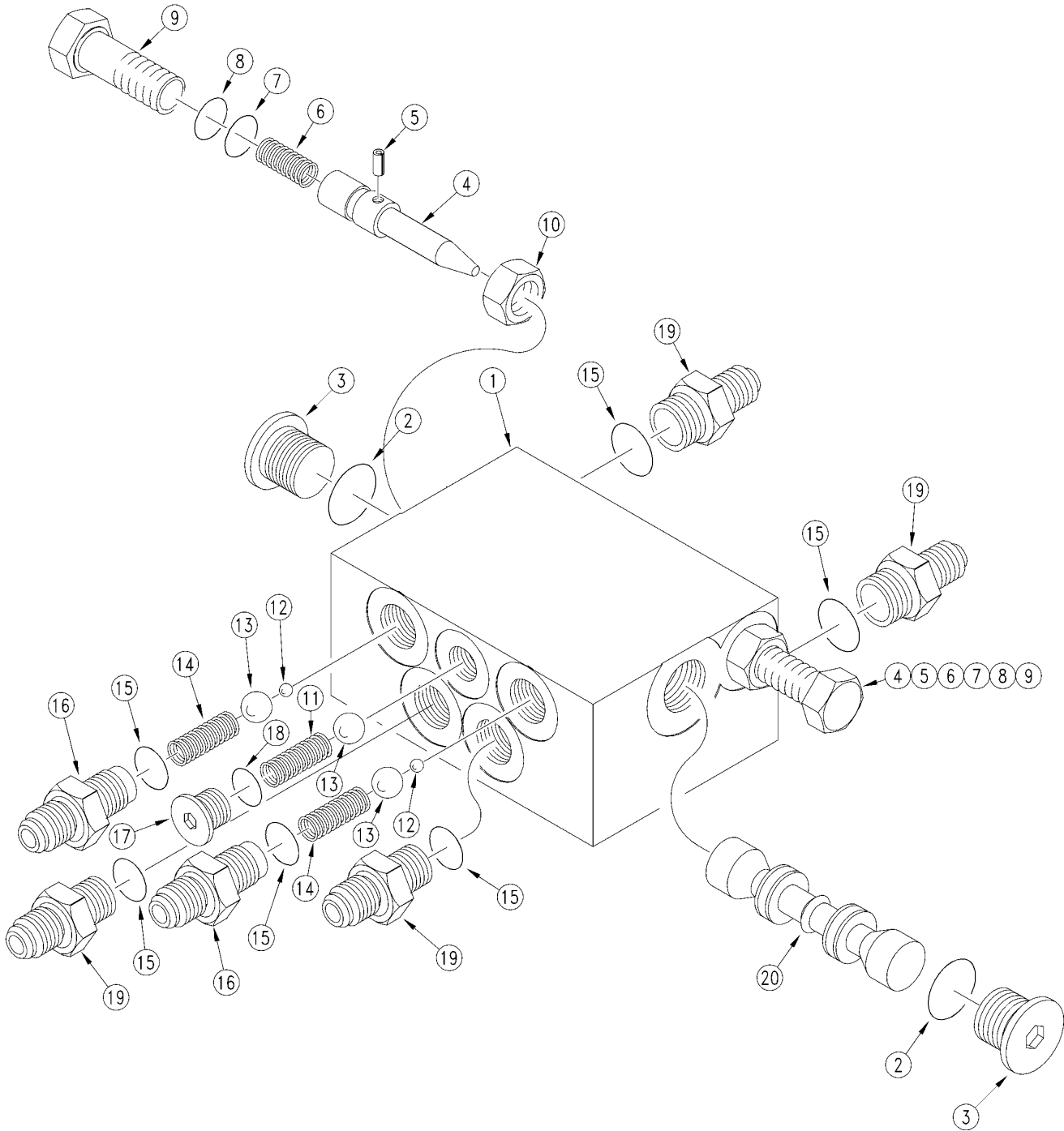
Hydraulic Cylinder (810-423C 3x24x1.5 Rod)

(Applies to 3S-4010HD, 3S-4010HDF only)

Ref	Part No.	Part Description	Comments	Revision
	dwg	Image No.		
1.	1M7016	CLEVIS ROD MIDWAY		
2.	2M4532	MW ROD		
3.	3R1510	MW HEAD		
4.	4M4108	MW PISTON		
5.	5M4132	MW TUBE		
6.	6R1144	BASE MIDWAY		
7.	7M4332	MW TIE ROD		
8.		MW WIPER	Included in item 17 only	
9.		MW U-CUP	Included in item 17 only	
10.		MW O-RING	Included in item 17 only	
11.		MW BACKUP	Included in item 17 only	
12.		MW CROWN SEAL	Included in item 17 only	
13.	2A0024	MW PISTON NUT 1-14		
14.	2A0014	MW TIE ROD NUT		
15.	2A0012	RPBY 803-234C		
16.	2A0006	RPBY 802-023C		
17.	810-430C	SEAL KIT MW 3 CYL 5A4106		

Sequence Valve (810-422C)

(Applies to 3S-4010HD, 3S-4010HDF only)



12024

Sequence Valve (810-422C)

(Applies to 3S-4010HD, 3S-4010HDF only)

Ref	Part No.	Part Description	Comments	Revision
	dwg12024	Image No.		
1.	3089	SHOEMAKER BODY MKR SEQ VALVE		
2.	1088-908	SHOEMAKER O-RING		
3.	1132-08	SHOEMAKER PLUG, HEX SOCKET		
4.	1179	SHOEMAKER NEEDLE, FLOW CONTROL		
5.	1217	SHOEMAKER .125 SPRING PIN		
6.	1211	SHOEMAKER SPRING COMPRESSION		
7.	1100-011	RPBY SEAL KIT		
7.	1088-011	RPBY 1100-011		
8.	1089-011	RPBY SEAL KIT		
9.	1180	SHOEMAKER SCREW, FLOW CON.ADJ.		
10.	1218	SHOEMAKER HEX, JAM NUT Z PLTD.		
11.	1099	RPBY SEAL KIT		
12.	1087-250	RPBY SEAL KIT		
13.	1087-437	RPBY SEAL KIT		
14.	1042	RPBY SEAL KIT		
15.	1088-906	SHOEMAKER O-RING		
16.	1182	SHOEMAKER FITTING PORT ADPT.		
17.	1132-05	SHOEMAKER HEX, SKT O-RING PLUG		
18.	1088-905	SHOEMAKER O-RING		
19.	1092-6-6	SHOEMAKER SAE #6 TO #6 STRGHT		
19.	1092-6	RPBY 1092-6-6		
20.	2153	SHOEMAKER SPOOL, MKR SEQ. .055		



Part Number Index

The Part Number Index is a numeric index of all part numbers included in this manual. The index shows what page(s) the part is used on.

Part Number	Page	Part Number	Page	Part Number	Page	Part Number	Page
1-100-02-00	143	120-306D	73, 75, 77, 83	175-146H	17	196-476H	11, 15
1042	151	120-337S	77, 83, 85	175-180S	17	196-477H	41
1087-250	151	120825	105	175-190S	19	196-478H	11, 15
1087-437	151	1211	151	175-219H	15, 33	196-479H	41
1088-011	151	1217	151	175-233D	43, 45, 49, 51	196-480H	11, 15, 69
1088-905	151	1218	151	175-243H	53	196-482H	69
1088-906	151	122-173D	93	175-280D	49, 51	196-483H	59
1088-908	151	122-177D	95	175-289D	19, 23, 33	196-489H	75
1089-011	151	123-017D	31	175-325D	21	196-490H	35, 41
109-025H	53	123-050H	31	175-326D	21	196-492H	59
109-069D	53	123-113D	31	175-327D	17, 21, 27	196-493H	73
109-091D	43, 45, 47, 49, 51	123-116D	31	175-331D	21	196-494S	73
1092-6	151	123-118D	31	175-332D	27	196-496H	59
1092-6-6	151	123-320D	67	175-338D	25	196-497H	59
1099	151	123-356D	31	175-341D	25	196-498H	59
1100-011	151	123-409D	31	175-358D	15, 33	196-499S	59, 73
113-369H	143	123-410D	31	176-066D	75	196-500S	59, 73
113-682D	141	123-476H	31	188-001V	93	196-503H	63
113-683D	141	123-491D	29	188-008V	97	196-504H	69
113-685D	141	123-492D	29	191-001D	25	196-510H	63
113-686D	141	123-576D	31	191-002D	25	196-511H	63
113-687D	141	123-577D	31	191-053D	25	196-512H	70
113-715H	141	123-834H	31	194-070D	7	196-513H	69
113-716H	141	123-939H	107	195-100D	15, 33	196-516H	7
113-717D	141	129BXT823	105	195-101D	15, 33	196-517H	7
113-717H	141	129BXT824	95	195-102D	15, 33	196-518H	69
113-722H	141	129BXT826	95	195-108D	75	196-534H	73
113-725H	141	133-024D	89	195-124H	37	196-652D	11, 69
113-779H	141	133-051H	89	195-172H	77, 83	196-653D	63
113-780H	141	133-062H	31	195-177S	17	196-654D	63, 69
113-789H	143	133-063H	31	195-181H	19	196-766D	11
113-790D	141	133-064H	31	195-182H	19	196-767D	63
113-790S	141	133-065D	103	195-183H	19	196-768D	63
113-792H	141	133-154K	29	195-192D	21	196-769D	63, 69
113-793H	141	133-155K	29	195-194D	19	196-770D	63, 69
1132-05	151	133-156K	29	195-197D	17, 21, 27	196-774D	11, 69
1132-08	151	133-157K	29	195-205D	15	196-775D	11, 69
116-001D	107	133-159H	29	195-206D	15	196-777D	11
116-019D	55	133-161H	29	195-207D	15	196-782D	67
116-020D	55	133-330H	31	195-208D	19	196-800D	67
1179	151	133-331K	29	195-244H	29	196-842D	9
118-226S	43, 45, 47, 49, 51	133-332H	107	196-048H	11	196-853D	9
118-336D	43, 45, 47, 49, 51	133-380H	29	196-136H	7	196-856D	67
118-338D	49, 51	133-416H	29	196-149D	11	196-857D	67
118-341D	43, 45, 47, 49, 51	136-093D	77, 83	196-166H	7	196-858D	67
118-353D	49, 51	136-104D	89	196-256H	63, 69	196-859D	67
118-356D	49, 51	136-110D	79, 85	196-288H	57	196-862D	145, 147
118-370D	43, 45, 47	136-121D	77, 83	196-289H	57, 59, 63	196-876D	75, 85
118-373D	47, 49, 51	136-227D	77, 83	196-291H	39	196-877D	75, 85
118-376D	43, 45, 47	136-251D	73	196-292H	69	196-880D	81, 87
118-431D	47	136-252D	75, 85, 87	196-293H	63, 69	196-889D	67
118-432D	43, 45, 47, 49, 51	136-253D	79, 85	196-298H	57	196-891D	67
118-433D	47	136-254D	81, 87	196-344H	11	196-896D	11
118-434D	47	136-255D	73	196-349H	11	196-904D	57
118-436D	47	136-256D	75	196-350H	11	196-906D	57
118-437D	43, 45, 47	148-613D	15, 33	196-370H	7	196-907D	57
118-438D	43, 45, 47	149-059D	99	196-376H	63	196-911D	57
118-440D	43, 45, 49, 51	149-086D	99	196-377H	11	197-001D	11, 63
118-470D	47	149-558D	99	196-381H	57	197-010D	99
118-508D	43, 45, 47, 49, 51	149-559D	99	196-391H	57	197-062D	39
118-880H	53	150-138D	13	196-392H	63, 69	197-089D	37
1180	151	160-018H	64, 67	196-409H	11, 57, 63, 69	197-091D	37
1182	151	168-127D	89	196-420H	7	197-096D	37
119-032D	35	168-276D	59, 73	196-430D	117	197-175K	23
119-154D	17	170-033H	7	196-442H	63, 67	197-176K	23
119-166D	35	170-034H	7	196-443H	63, 67	197-177K	23
119-190D	13, 29, 35	170-071H	7	196-459K	59, 63, 70	197-178H	25
120-264D	81, 87	170-072A	7	196-460K	63, 70, 73	197-179H	25
120-293D	79, 85	170-201D	7	196-474H	57	197-180K	23
120-305D	77, 83	175-102H	25	196-475H	35	197-181K	23

[Table of Contents](#) [Part Number Index](#)



Part Number Index (continued)

Part Number	Page	Part Number	Page	Part Number	Page	Part Number	Page
197-182H	25	298-855H	91, 93	5R9124	125	802-024C	95
197-186H	15, 33	298-884H	91	5R9928	133	802-032C	141
197-298D	43, 45	298-885H	91	5R9932	131	802-034C	15, 35, 41, 63, 69
197-299D	47	2A0006	149	6M1108	123, 135	802-041C	73, 75, 77, 83
197-300D	49, 51	2A0012	149	6R1144	149	802-044C	141
198-137D	109, 111, 113, 115	2A0014	123, 135, 149	6R7191	129	802-053C	9, 64, 67
198-240D	91	2A0018	123, 135	6R8171	127	802-057C	39
198-292D	91	2A0024	149	6R9169	131	802-058C	75, 109, 113, 115
198-293D	91	2A0025	125, 127, 129, 131, 133	6R9171	125, 133	802-059C	111
198-295D	91			710425	55	802-060C	81, 87, 101
198-318D	93	2A0130	123, 135	770026	55	802-062C	64, 141
199-043H	109	2A0202	123, 135	7M1302	123, 135	802-067C	63, 69
199-088H	111	2M1190	123, 135	7M4332	149	802-070C	11, 69
199-089H	111	2M4532	149	7M7324	129	802-073C	11
1M7016	149	2S7584	129	7M8324	125, 127	802-078C	21, 27, 31
1M7028	125, 127, 129, 131, 133	2S8522	125, 127	7M8328	133	802-079C	15, 33, 35, 93
200-001D	99	2S8694	133	7M8332	131	802-082C	41, 99
200-002S	99	2S8698	131	800-001C	11, 57, 63, 69, 99, 141	802-092C	25, 31, 75, 77, 79, 81, 83, 85, 93, 97
200-039V	99	3089	151	800-003C	53	802-095C	11
202-189D	113, 115	313-176D	17	800-004C	43, 45, 47, 49, 51	802-097C	85
204-084S	101	313-186D	17	800-008C	103	802-099C	141
204-139H	101	318917	55	800-009C	43, 45, 47, 49, 51	802-100C	141
204-295D	99	318951	55	800-012C	21, 25	802-106C	101
206-010D	97	398-456H	91	800-016C	103	802-114C	141
206-011D	97	398-557H	91	800-028C	31	802-125C	143
206-012D	97	398-558H	91	800-029C	107	802-138C	141
206-014S	97	3M1108	123, 135	800-032C	25	802-143C	67
2153	151	3R1510	149	800-052C	55	802-144C	7
248-251D	35	3R7512	129	800-064C	7, 13, 33	802-146C	11
249-050S	99	3R8512	127	800-101C	31, 37	802-148C	25, 31
249-051H	99	3R9512	125	800-107C	43, 45, 47, 49, 51	802-151C	57
253016	55	3R9612	131, 133	800-121C	17	802-166C	7
253017	55	401-795D	69	800-125C	75	802-171C	59
253100	55	402-025S	75, 77, 79, 83, 85, 87	800-164C	99	802-172C	95, 105
288-310H	93	402-037D	67	800-166C	97	802-179C	73
288-374H	91	402-126H	77, 83	800-177C	99	802-183C	93
29090	101	402-242D	77, 83	800-211C	99	802-196C	19, 23, 33, 53
296-013D	75	402-266D	85	800-213C	93	802-203C	13, 29, 33, 35, 89
296-022D	59	403-215S	93	800-247C	59	802-205C	59, 63, 70, 73
296-023D	77, 83	403-265D	35	800-248C	59	802-214C	89, 99, 101
296-024D	77, 83	403-266D	35	800-257C	75	802-216C	57, 145, 147
296-025D	79, 85	403-667D	91	800-321C	107	802-226C	77, 83
296-026D	75	404-061D	97	800-390C	107	802-252C	73, 105
296-027D	60, 73	404-088H	97	801-001C	31, 53	802-257C	55
296-031D	35	404-121S	93	801-002C	103, 107	802-259C	73
296-032D	35	404-144D	97	801-003C	31	802-274C	75
296-034D	35	404-212D	97	801-009C	25	802-275C	67
296-035D	35	404-213D	97	801-035C	31	802-281C	67
296-052D	57	405-031D	111	801-057C	43, 45, 47, 49, 51	802-282C	89
296-078D	59, 73	407-150H	77, 83	801-078C	97	802-289C	57
296-079D	73	407-172D	75	801-081C	59	802-300C	63, 69
296-080D	25	4100010	137	801-084C	97	802-311C	79, 85
296-084D	93	4112302	137	801-096C	37	802-317C	7
296-085D	93	4201025	137	801-151C	13, 60, 73	802-331C	75
296-086D	85, 87	4301117	137	801-154C	37	802-332C	99
296-087D	75, 79, 81	4411201	137	801-199C	55	802-368C	41, 64
296-089D	77	4M1102	123, 135	801-210C	59, 73	802-375C	17, 19, 21, 23, 33
296-099D	83, 85, 87	4M4108	149	802-004C	31, 43, 45, 47, 49, 51	802-381C	141
296-100D	79, 85	4R7112	129	802-005C	19, 35, 109, 111	802-382C	11
296-101D	59	4R8108	127	802-007C	53, 59, 69	802-387C	15, 19, 33
296-102D	75	4R9108	125	802-010C	7, 13	802-388C	29, 35
296-107D	59	4R9109	131, 133	802-014C	43, 45, 47, 49, 51, 53, 147	802-411C	17
296-135D	69	502-068D	7	802-015C	17	802-421C	109, 111, 113, 115
296-136D	63	540017	55	802-017C	19, 25, 67, 93, 145	802-425C	17
296-137D	63	5424	121	802-022C	35	802-439C	107
296-138D	64, 69	5425	121	802-023C	125, 127, 129, 131, 133	802-442C	15
296-139D	64, 69	5M1103	123, 135			802-453C	25, 59, 73, 77, 83
296-140D	63, 69	5M4132	149			802-463C	57
296-161D	73	5R7124	129				
		5R8124	127				



Part Number Index (continued)

Part Number	Page	Part Number	Page	Part Number	Page	Part Number	Page
802-543C	7	803-183C	59, 63	804-113C	73, 75, 77, 79,	808-222C	77, 83
802-546C	67	803-193C	101		83, 85, 89	808-224C	77, 83, 85
802-589C	141	803-194C	43, 45, 47, 49, 51	804-156C	99	808-249C	77, 83
802-594C	64	803-196C	9	804-165C	99	808-256C	79, 85
802-617C	113	803-199C	15, 19, 33	804-197C	63, 69	808-257C	79, 85
802-618C	115	803-200C	141	805-001C	59, 64, 69	808-258C	79, 85
802-633C	25	803-209C	17, 19, 35	805-004C	141	808-259C	79, 81, 85, 87
802-674C	67	803-234C	125, 127, 129,	805-016C	53	808-260C	77, 83
802-717C	9		131, 133	805-017C	64, 99	808-262C	77, 83
802-718C	99	803-235C	11, 67	805-019C	11, 31, 143	808-276C	77, 83
802-728C	63, 69	803-257C	125, 127, 129,	805-023C	43, 45, 47, 49, 51	808-309C	75, 83, 85, 87
802-745C	91		131, 133	805-028C	11	808-338C	77, 83
802-761C	63, 69	803-316C	59, 63, 70, 73	805-032C	35	808-357C	75, 85
802-775C	75, 85	804-001C	53	805-037C	67	808-400C	73, 75
802-844C	93	804-002C	31, 53	805-045C	11, 97	808-401C	59, 73
802-874C	63, 69	804-003C	31, 53	805-058C	141	808-425C	75
803-001C	31, 37	804-004C	31, 37	805-060C	59	810-058C	145
803-003C	37	804-006C	25, 31, 73, 85	805-062C	59	810-158C	129
803-006C	25, 31, 75, 85	804-007C	21	805-063C	93	810-160C	127
803-007C	19, 27, 31	804-009C	7, 13, 25, 53, 69,	805-064C	77, 83	810-201C	11, 63, 67, 119
803-008C	25, 53, 89		89	805-067C	37, 89	810-249C	123, 135
803-011C	17, 141	804-010C	53, 69	805-069C	7	810-274C	145, 147
803-013C	11, 141	804-011C	15, 33, 35, 59,	805-076C	31	810-422C	147
803-014C	11, 15, 25, 29,		67, 73, 93, 95,	805-085C	11, 64, 69	810-423C	141, 145, 147
	33, 35, 43, 45,		145	805-105C	11, 57, 59, 63, 69	810-430C	149
	49, 51, 57, 59,	804-012C	25, 31, 43, 45,	805-109C	11, 63	810-491C	11, 63, 119, 135
	67, 73, 77, 93,		47, 49, 51, 53	805-120C	59	810-496C	57, 117
	95, 105, 145, 147	804-013C	11, 15, 25, 29,	805-131C	141	810-497C	63, 117
803-016C	53		33, 35, 43, 45,	805-141C	11	810-498C	69, 117
803-019C	141		47, 49, 51, 53,	805-146C	75, 83, 85, 87	810-499C	11, 117
803-020C	15, 35, 41, 57,		57, 59, 67, 73,	805-154C	93	810-500C	64, 117
	73, 75, 77, 79,		77, 93, 95, 105,	805-180C	75, 77, 79, 81,	810-503C	57, 117
	83, 85, 89, 99,		145, 147		83, 85, 87	810-507C	125
	101, 141	804-015C	15, 35, 41, 57,	805-186C	93	810-508C	131, 133
803-021C	39, 57, 64, 67,		63, 69, 73, 75,	805-190C	93	810-509C	121
	73, 75, 81, 87,		77, 79, 83, 85,	805-192C	11	8103	121
	91, 99, 101		89, 99, 101, 141	805-208C	77, 83	811-040C	117
803-023C	39	804-016C	11, 29, 89	805-230C	64	811-044C	145
803-024C	67, 141	804-017C	77, 83, 141	805-240C	77, 79, 83, 85, 91	811-063C	117, 145, 147
803-026C	11, 64, 69	804-019C	39, 67	805-249C	57	811-065C	119, 141, 145,
803-027C	11, 39, 141	804-021C	11, 53, 63, 123,	805-250C	93		147
803-029C	99		135	805-331C	99	811-077C	117
803-030C	41, 64	804-022C	39, 57, 64, 67,	805-334C	63	811-078C	117
803-031C	7, 11, 41, 63, 69		73, 75, 81, 87,	805-335C	93	811-080C	145, 147
803-034C	7		91, 93, 99, 101,	806-005C	35	811-088C	145, 147
803-035C	31, 53		109, 111, 113,	806-010C	141	811-090C	117
803-043C	93, 95, 97, 105		115	806-019C	57, 67	811-133C	145
803-048C	11, 64, 69, 99	804-023C	141	806-039C	9	811-150C	117
803-049C	67, 99	804-024C	11	806-053C	91	811-151C	145
803-053C	143	804-025C	64, 141, 143	806-106C	99	811-169C	119, 147
803-058C	31	804-027C	7, 11, 41, 63, 69	806-172C	39, 141	811-171C	147
803-060C	73	804-028C	69, 141	806-194C	11	811-212C	119
803-063C	63, 69	804-029C	63	807-007C	11	811-217C	145, 147
803-073C	63, 69	804-030C	7	807-076C	91	811-226C	119
803-078C	67	804-031C	43, 45, 47, 49, 51	807-097C	75	811-230C	119
803-079C	11, 63, 69	804-035C	7, 11, 63	807-106C	17, 93, 97	811-268C	117
803-081C	7, 9	804-036C	17	807-113C	67	811-281C	145
803-088C	17, 19, 21, 23,	804-037C	67, 99	807-125C	97	811-312C	119
	25, 33, 35, 53,	804-039C	11, 57, 59, 64, 69	807-128C	11	811-364C	147
	55, 109, 111,	804-040C	53, 64, 93	807-143C	63, 69	811-382C	117
	113, 115	804-042C	31	807-212C	63	811-394C	117, 119
803-117C	83	804-044C	31	807-281C	59	811-411C	117
803-148C	57, 63	804-046C	31	808-046C	81, 87	811-439C	119
803-159C	143	804-048C	25	808-086C	25	811-485C	117
803-169C	13, 29, 33, 89,	804-055C	99	808-143C	79, 85	811-581C	119
	91, 93, 109, 111,	804-061C	75, 77, 83, 85, 87	808-147C	77, 83, 85	811-586C	145, 147
	113, 115	804-075C	37, 73	808-148C	77, 83	811-617C	117
803-175C	59	804-078C	97	808-150C	77, 83	811-690C	117
803-177C	15, 75, 77, 79,	804-095C	75, 81, 87	808-151C	77, 83	811-725C	117
	81, 85, 107	804-102C	63	808-170C	89	811-781C	119
803-181C	63			808-219C	77, 83	811-803C	147

[Table of Contents](#) [Part Number Index](#)



Part Number Index (continued)

Part Number	Page	Part Number	Page	Part Number	Page	Part Number	Page
811-804C	147	817-456C	75, 83	841-056C	117	dwg29071	57
811-805C	117	817-504C	31	841-103C	119	dwg29073	69
811-806C	117	817-513C	99	841-246C	117	dwg29076	93
811-810C	117	817-516C	35	841-247C	117	dwg29089	105
811-811C	117	817-520C	9	841-248C	119, 145, 147	dwg29091	99
811-813C	117	817-542C	9	841-249C	117	dwg29093	117
811-814C	117	817-802C	25	848-147C	59, 139	dwg29097	15
811-846C	117	817-804C	73	848-375C	139	dwg29101	35
811-876C	119	817-805C	17	848-380C	139	dwg29102	39
812-397C	93	817-806C	31	890-011C	11, 59, 63, 69	dwg29103	43
814-034C	109	817-825C	69	890-026C	25	dwg29109	47
814-157C	113	818-043C	139	890-122C	57	dwg29111	45
814-158C	115	818-045C	69, 139	890-190C	43, 45, 47, 49, 51	dwg29119	49
814-159C	113	818-188C	139	890-221C	17	dwg29120	51
814-160C	115	818-339C	139	890-246C	7	dwg29122	139
814-174C	109	818-398C	59, 139	890-305C	37	dwg29123	73
814-238C	111	818-557C	139	890-308C	17	dwg29128	75
814-244C	111	818-579C	141	890-311C	13	dwg29129	79
814-352C	59	818-580C	141	890-312C	13	dwg29134	81
814-353C	59	818-587C	139	890-313C	13	dwg29138	85
815-001C	143	818-590C	139	890-349C	31	dwg29141	83
815-188C	59	819-041C	31	890-350C	43, 45, 47, 49, 51	dwg29187	77
815-297C	59	819-109C	53	890-390C	13	dwg29195	87
816-007C	103	820-018C	99	890-398C	7	dwg29244	91
816-009C	99	820-082C	99	890-466C	93	dwg29246	107
816-014C	143	820-094C	143	890-600C	13	dwg29257	89
816-037C	93	820-098C	143	890-614C	143	dwg29324	41
816-112C	31	820-156C	99	890-666C	63, 69	dwg29325	25
816-113C	31	820-287C	93	890-800C	11, 69	dwg29326	23
816-170C	141	820-327C	101	890-928C	95	dwg29429	31
816-173C	97	820-331C	101	890-976C	63, 69	dwg29708	33
816-202C	59	822-008C	53	891-105C	85	dwg34220	55
816-239C	43, 45, 47, 49, 51	822-020C	99	891-106C	85	GKN-L871401-10	59
816-278C	21	822-021C	99	891-210C	7	GKN-P301808	59
816-291C	21, 27	822-030C	143	9107083	137	GKN-P502016	59
816-292C	25	822-047C	59	9107084	137	GKN-P602128	59
816-513C	107	822-051C	59	990-171R	107	GKN-P602150	59
816-547C	75	822-052C	59	990-223R	117	VER-28383	70
817-004C	43, 45, 47, 49, 51	822-080C	143	BO-47	143		
817-009C	31	822-083C	25	dwg	143, 149		
817-010C	31	822-103C	43, 45, 47, 49, 51	dwg12024	151		
817-018C	25	822-119C	75, 77, 79, 81, 83, 85	dwg12822	123, 135		
817-025C	89			dwg16578	27		
817-026C	31	822-126C	89	dwg16579	21		
817-042C	35	822-170C	109, 111, 113, 115	dwg17663	97		
817-068C	43, 45, 47, 49, 51			dwg18807	37		
817-069C	43, 45, 47, 49, 51	822-175C	75, 77, 79, 81, 83, 85	dwg19312	17		
817-070C	43, 45, 47, 49, 51			dwg19314	19		
817-071C	43, 45, 47, 49, 51	822-204C	59	dwg20287	141		
817-073C	43, 45, 47, 49, 51	822-224C	59	dwg20304	121		
817-074C	43, 45, 47, 49, 51	822-241C	73	dwg20324	137		
817-075C	43, 45, 47, 49, 51	822-242C	59, 73	dwg20462	53		
817-084C	91, 109, 111, 113, 115	823-231C	75, 85	dwg24430	109		
		826-501C	75, 83, 85, 87	dwg24431	113		
817-086C	37	833-088C	137	dwg24432	115		
817-087C	53	833-489C	137	dwg26410	63		
817-191C	97	833-595C	55	dwg26474	103		
817-202C	37	833-596C	55	dwg27028	111		
817-296C	113	838-102C	139	dwg27059	67		
817-297C	115	838-160C	139	dwg27063	119		
817-321C	19	838-161C	139	dwg27180	145		
817-322C	19	838-169C	139	dwg27181	147		
817-323C	25	838-229C	139	dwg27230	125, 127, 129, 131, 133		
817-324C	19	838-237C	37, 139				
817-328C	93	838-265C	35, 69, 139	dwg27425	29		
817-330C	109, 111	838-266C	69, 139	dwg28424	95		
817-346C	103	838-267C	69, 139	dwg29000	7		
817-347C	93	838-482C	101	dwg29002	9		
817-350C	37	838-782C	139	dwg29011	11		
817-406C	77, 79, 83, 85	838-828C	139	dwg29014	13		
817-455C	57	839-956C	75, 85	dwg29022	59		



Great Plains Mfg., Inc.
1525 E. North Street
Salina, Kansas 67401 USA

www.greatplainsmfg.com
