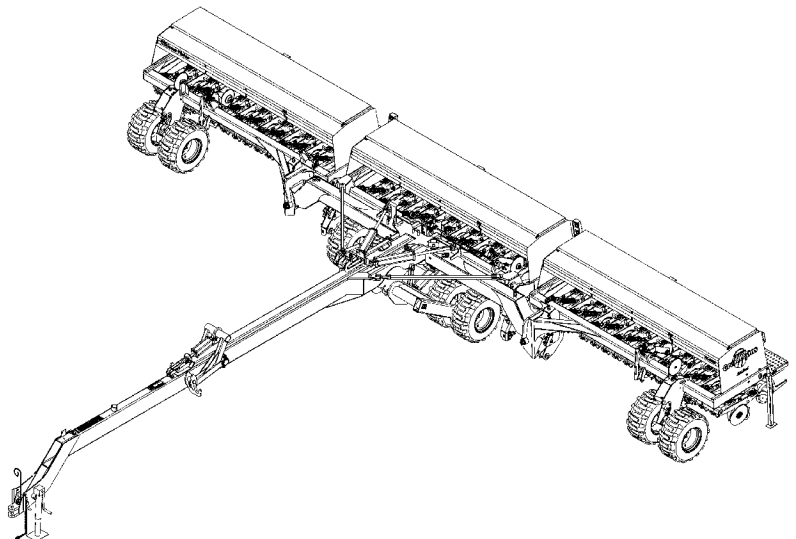

Parts Manual

3S-4000 & 3S-4000F
40' 3-Section Folding Drill



Read the Operator's manual entirely. When you see this symbol, the subsequent instructions and warnings are serious - follow without exception. Your life and the lives of others depend on it!



18824

Cover illustration may show optional equipment not supplied with standard unit.



Table of Contents

Section 1: Introduction.....	6	Seed Rate Adjustment Handle.....	80
Using This Manual.....	6	Vansco Shaft Monitor (Option).....	82
Manual Replacement Information.....	6	Loup Shaft Monitor (2 Channel 116-282A) (3 Channel	
Manual Revisions.....	6	116-283A).....	84
Touch-up Paint.....	6	Gauge Wheels.....	86
Hardware Legend.....	7	Gauge Wheels (S/N YY2838-).....	86
Replacement Hardware.....	7	Gauge Wheels (S/N YY2839+).....	88
Serial Numbers.....	7	Drives.....	90
Part Number Service Coding.....	7	Center Clutch Breakdown (195-246K).....	90
Tongue.....	8	Center Drive (S/N YY1151-).....	92
Hitch To Tongue.....	8	Center Drive (S/N YY1152+).....	94
Transport Hook To Tongue.....	10	Center Drive Breakaway.....	96
Transport Axle.....	12	Clutch Linkage.....	98
Transport Axle To Tongue.....	12	Fertilizer Clutch Center Box Breakdown (195-272K).....	100
Transport Tires And Hub.....	14	Fertilizer Clutch LH/RH Box Breakdown (195-187K).....	102
Toolbars.....	17	Fertilizer Drive.....	104
Toolbar Pivots To Box Frames.....	18	Fertilizer Drive Subassembly.....	106
Toolbar To Tongue.....	20	Jaw Clutch.....	108
Box And Frame Assembly.....	22	Left Hand Clutch Breakdown (195-152K).....	110
Center Box And Center Frame To Tongue.....	22	Left Hand Drive (S/N YY1151-).....	112
Center Sub-Frame.....	24	Left Hand Drive (S/N YY1152+).....	114
Fertilizer Box Dividers.....	26	Right Hand Drive (S/N YY1151-).....	116
Fertilizer Box To Frame.....	28	Right Hand Drive (S/N YY1152+).....	118
Fertilizer Spill Flap (175-190S).....	30	Small Seeds Drive.....	120
Fertilizer Tray.....	32	Small Seeds Drive Subassembly.....	122
Fertilizer Tray To Box.....	34	Small Seeds to Drive.....	124
Left Hand Box And Frame.....	36	Openers.....	126
Left Hand Sub-Frame.....	38	00 Series Opener.....	126
Lid To Box.....	40	5" & 6" Seed-Lok (Option).....	128
Lid To Fertilizer Box.....	42	Fertilizer Hose.....	130
Right Hand Box And Frame.....	44	Small Seeds Hose.....	132
Right Hand Sub-Frame.....	46	Press Wheels.....	134
Seed / Fertilizer Flap (175-191S).....	48	1" x 12" Double "V" Press Wheel.....	134
Seed Level Indicator.....	50	2" x 13" Single Press Wheel.....	136
Small Seeds Box Components.....	52	3" x 13" Single Press Wheel.....	138
Small Seeds Box Mounting.....	54	3" x 14" Peaked Single Press Wheel.....	140
LED Lights (S/N YY2719+).....	56	4" x 12" Double Ribbed Single Press Wheel.....	142
Truss Tubes.....	58	Hydraulics.....	144
Walkboards And Steps (YY1722-).....	60	Double Selector Valve Mounting.....	144
Walkboards And Steps (YY1723+).....	62	Fold Hydraulics.....	146
Weight Bracket (S/N YY1458-).....	64	Fold Hydraulics With Check Valve.....	148
Weight Bracket (S/N YY1459+).....	66	Manifold Block (810-371C) (Option).....	150
Feeder Cup Trays.....	68	Midway Hydraulic Cylinder (810-020C).....	152
10" Feeder Cup Spacing LH & Center.....	68	Midway Hydraulic Cylinder (810-299C).....	154
10" Feeder Cup Spacing RH.....	70	Midway Hydraulic Cylinder (810-416C).....	156
6" Feeder Cup Spacing LH & Center.....	72	Midway Hydraulic Cylinder (810-421C).....	158
6" Feeder Cup Spacing RH.....	74	Opener Down Pressure Hydraulics (Closed Center) (S/N	
7.5" Feeder Cup Spacing LH & Center.....	76	YY1310-).....	160
7.5" Feeder Cup Spacing RH.....	78		

© Copyright 2016 All rights reserved Printed 11/01/16

Great Plains Manufacturing, Inc. provides this publication "as is" without warranty of any kind, either expressed or implied. While every precaution has been taken in the preparation of this manual, Great Plains Manufacturing, Inc. assumes no responsibility for errors or omissions. Neither is any liability assumed for damages resulting from the use of the information contained herein. Great Plains Manufacturing, Inc. reserves the right to revise and improve its products as it sees fit. This publication describes the state of this product at the time of its publication, and may not reflect the product in the future.

Great Plains Manufacturing, Incorporated Trademarks

The following are trademarks of Great Plains Mfg., Inc.: Application Systems, Ausherman, Land Pride, Great Plains

All other brands and product names are trademarks or registered trademarks of their respective holders.

Printed in the United States of America.



Table of Contents (continued)

Opener Down Pressure Hydraulics (Closed Center) (S/N YY1311+)	162
Opener Down Pressure Hydraulics (Open Center) (S/N YY1310-)	164
Opener Down Pressure Hydraulics (Open Center) (S/N YY1311+)	166
Opener Down Pressure Hydraulics With Point Row (Option) (S/N YY1310-)	168
Opener Down Pressure Hydraulics With Point Row (Option) (S/N YY1311+)	170
Point Row Control Box With Cables	172
Pressure Reducing Valve (810-301C)	174
Transport Axle And Transport Hook Hydraulics	176
Hydraulic Hose Grips	178
Decals	180
Decal Placement	180
Markers (Option)	182
Double Selector Valve (810-274C)	182
Dual Marker Hydraulics	184
Flat Fold Marker	186
Marker Disc Assembly (113-563S)	190
Midway Hydraulic Cylinder (810-423C)	192
Sequence Valve (810-422C)	194
Single Marker Hydraulics	196
 Part Number Index	 198



Alphabetized Table of Contents

Selected Models

0	
00 Series Opener.....	126
1	
1" x 12" Double "V" Press Wheel.....	134
10" Feeder Cup Spacing LH & Center.....	68
10" Feeder Cup Spacing RH.....	70
2	
2" x 13" Single Press Wheel.....	136
3	
3" x 13" Single Press Wheel.....	138
3" x 14" Peaked Single Press Wheel.....	140
4	
4" x 12" Double Ribbed Single Press Wheel.....	142
5	
5" & 6" Seed-Lok (Option).....	128
6	
6" Feeder Cup Spacing LH & Center.....	72
6" Feeder Cup Spacing RH.....	74
7	
7.5" Feeder Cup Spacing LH & Center.....	76
7.5" Feeder Cup Spacing RH.....	78
C	
Center Box And Center Frame To Tongue.....	22
Center Clutch Breakdown (195-246K).....	90
Center Drive (S/N YY1151-).....	92
Center Drive (S/N YY1152+).....	94
Center Drive Breakaway.....	96
Center Sub-Frame.....	24
Clutch Linkage.....	98
D	
Decal Placement.....	180
Double Selector Valve (810-274C).....	182
Double Selector Valve Mounting.....	144
Dual Marker Hydraulics.....	184
F	
Fertilizer Box Dividers.....	26
Fertilizer Box To Frame.....	28
Fertilizer Clutch Center Box Breakdown (195-272K).....	100
Fertilizer Clutch LH/RH Box Breakdown (195-187K).....	102
Fertilizer Drive.....	104
Fertilizer Drive Subassembly.....	106
Fertilizer Hose.....	130
Fertilizer Spill Flap (175-190S).....	30
Fertilizer Tray.....	32

Fertilizer Tray To Box.....	34
Flat Fold Marker.....	186
Fold Hydraulics.....	146
Fold Hydraulics With Check Valve.....	148
G	
Gauge Wheels (S/N YY2838-).....	86
Gauge Wheels (S/N YY2839+).....	88
H	
Hitch To Tongue.....	8
Hydraulic Hose Grips.....	178
J	
Jaw Clutch.....	108
L	
LED Lights (S/N YY2719+).....	56
Left Hand Box And Frame.....	36
Left Hand Clutch Breakdown (195-152K).....	110
Left Hand Drive (S/N YY1151-).....	112
Left Hand Drive (S/N YY1152+).....	114
Left Hand Sub-Frame.....	38
Lid To Box.....	40
Lid To Fertilizer Box.....	42
Loup Shaft Monitor (2 Channel 116-282A) (3 Channel 116-283A).....	84
M	
Manifold Block (810-371C) (Option).....	150
Marker Disc Assembly (113-563S).....	190
Midway Hydraulic Cylinder (810-020C).....	152
Midway Hydraulic Cylinder (810-299C).....	154
Midway Hydraulic Cylinder (810-416C).....	156
Midway Hydraulic Cylinder (810-421C).....	158
Midway Hydraulic Cylinder (810-423C).....	192
O	
Opener Down Pressure Hydraulics (Closed Center) (S/N YY1310-).....	160
Opener Down Pressure Hydraulics (Closed Center) (S/N YY1311+).....	162
Opener Down Pressure Hydraulics (Open Center) (S/N YY1310-).....	164
Opener Down Pressure Hydraulics (Open Center) (S/N YY1311+).....	166
Opener Down Pressure Hydraulics With Point Row (Option) (S/N YY1310-).....	168
Opener Down Pressure Hydraulics With Point Row (Option) (S/N YY1311+).....	170
P	
Point Row Control Box With Cables.....	172
Pressure Reducing Valve (810-301C).....	174
R	
Right Hand Box And Frame.....	44



Alphabetized Table of Contents (continued)

Right Hand Drive (S/N YY1151-).....	116
Right Hand Drive (S/N YY1152+).....	118
Right Hand Sub-Frame.....	46

S

Seed / Fertilizer Flap (175-191S).....	48
Seed Level Indicator.....	50
Seed Rate Adjustment Handle.....	80
Sequence Valve (810-422C).....	194
Single Marker Hydraulics.....	196
Small Seeds Box Components.....	52
Small Seeds Box Mounting.....	54
Small Seeds Drive.....	120
Small Seeds Drive Subassembly.....	122
Small Seeds Hose.....	132
Small Seeds to Drive.....	124

T

Toolbar Pivots To Box Frames.....	18
Toolbar To Tongue.....	20
Transport Axle And Transport Hook Hydraulics.....	176
Transport Axle To Tongue.....	12
Transport Hook To Tongue.....	10
Transport Tires And Hub.....	14
Truss Tubes.....	58

V

Vansco Shaft Monitor (Option).....	82
------------------------------------	----

W

Walkboards And Steps (YY1722-).....	60
Walkboards And Steps (YY1723+).....	62
Weight Bracket (S/N YY1458-).....	64
Weight Bracket (S/N YY1459+).....	66



General Information

Using This Manual

This manual is divided into sections. The first section contains General Information, a Table of Contents, an Alphabetical Page Index, and a Part Number Index. The remaining sections divide the machine into segments (i.e. Frames, Drives, Hydraulics, etc.) which illustrate and list all parts.

The Great Plains parts in this manual are specially designed for this machine and should be replaced with Great Plains parts only.

The information in this manual is current at printing. Some parts may change to assure top performance.

Right-hand and left-hand as used in this manual are determined by facing the direction the machine will travel while in use.

Below is an example of two facing pages from a parts manual. Familiarize yourself with the contents of these pages.

Manual Replacement Information

Replacement manuals are available. Refer to your dealer or the Great Plains Publications Catalog for additional information.

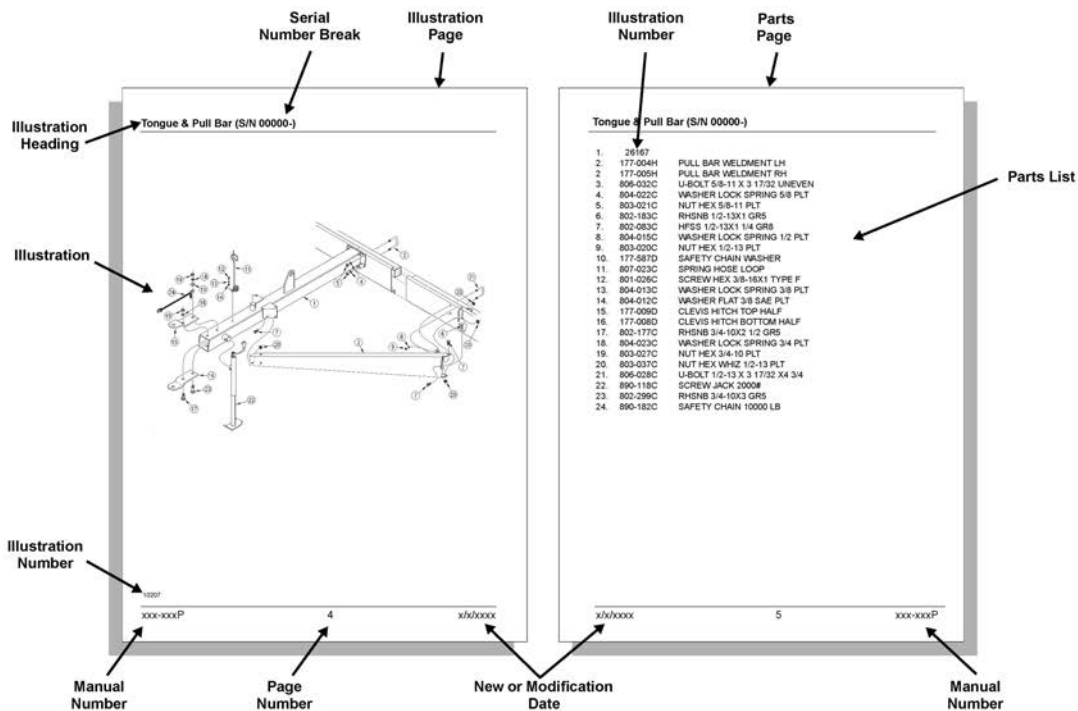
Manual Revisions

When this manual is revised, the modification date is printed on the front cover and on the revised page(s).

Touch-up Paint

Repaint parts where paint is worn or scratched to prevent rust. Aerosol touch-up paint is available. To order use Great Plains parts numbers below:

GP Green	821-001C
GP Black	821-002C
GP Beige	821-003C
GP Buckskin	821-004C



Hardware Legend

AR	As Required
BLADE	Blade Bolt
C	Cap Screw
CP	Cotter Pin
CPHSSS	Cup Point Hex Socket Set Screw
CPSHSS	Cup Point Square Head Set Screw
CPSQHSS	Cup Point Square Head Set Screw
CRFCHMS	Cross Recess Flat Countersunk Head Mach. Screw
CRPHMS	Cross Recess Pan Head Machine Screw
CRPHTFS	Cross Recess Pan Head Thread Forming
CRRHMS	Cross Recess Round Head Machine Screw
CRTHMS	Cross Recess Truss Head Machine Screw
CSNB	Countersunk Square Neck Bolt
FHMS	Flat Head Machine Screw
FTC	Full Thread Cap Screw
H	Hex Nut
HCLN	Hex Center Lock Nut
HFLCS	Hex Flange Lock Cap Screw
HFS	Hex Flange Screw
HFSLN	Hex Flange Serrated Lock Nut
HFSS	Hex Flange Serrated Screw
HHCS	Hex Head Cap Screw or Metric Bolt
HSBHCS	Hex Socket Button Head Cap Screw
HSFCHCS	Hex Socket Flat Countersunk Head Cap Screw
HSHCS	Hex Socket Head Cap Screw
HSSS	Hex Socket Head Screw
HTLN	Hex Top Lock Nut
HWHCS	Hex Washer Head Cap Screw

HWHMS	Hex Washer Head Machine Screw
HXBHCS	Hex Socket Button Head Cap Screw
J	Hex Jam Nut
JIC	37 Degree Tapered Thread
L	Helical Spring Lock Washer
LUG	Lug Bolt
NFC	National Fine Cap Screw
NPSM	National Pipe Straight Mechanical
NPTF	National Pipe Taper Fuel
P	Wide Plain Washer
PHMS	Pan Head Machine Screw
PLOW	Plow Bolt
RHMS	Round Head Machine Screw
RHSNB	Round Head Square Neck Bolt
SCREW LEVELING	Leveling Screw
SCREW THUMB	Thumb Screw
SCREW WELD	Weld Screw
SFCHMS	Slotted Flat Countersunk Head Machine Screw
SFHMS	Slotted Fillister Head Machine Screw
SP	Special
SP SCREW	Special Screw
SQHSS	Square Head Set Screw
SRHMS	Slotted Round Head Machine Screw
SSS	Socket Set Screw
STCS	Self Tapping Cap Screw
STHMS	Slotted Truss Head Machine Screw
WHEEL	Wheel Studs and Hub Long Bolts
WING	Wing Bolt

Replacement Hardware

The **Hardware Legend** above lists hardware abbreviations used in the parts lists. All bolts and nuts are grade 5 unless otherwise noted. The use of improper grades of hardware can result in personal injury, damage to equipment, or loss of property.

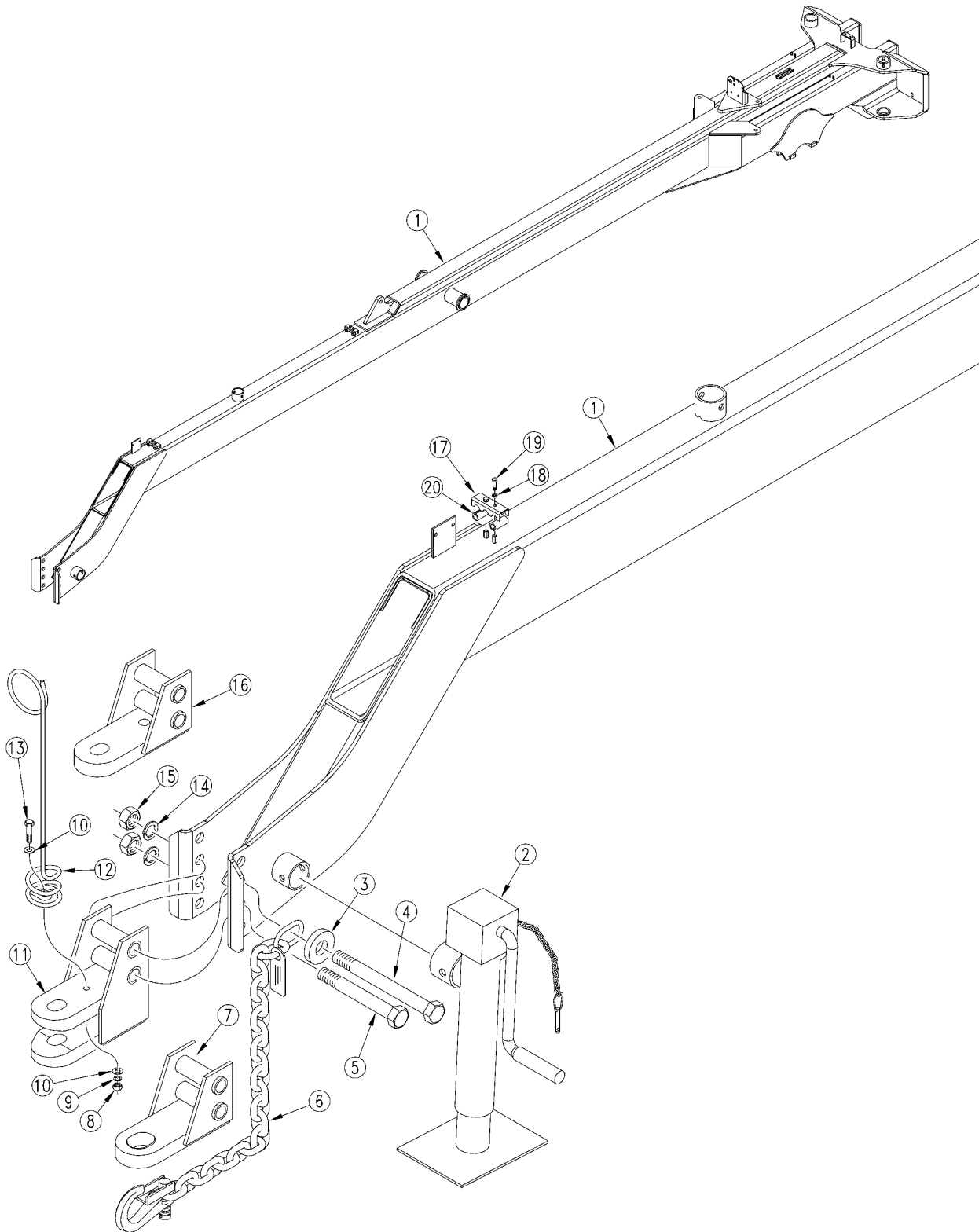
Serial Numbers

Always use the serial and model number when ordering parts. Refer to the operator's manual for serial number plate location.

- (S/N 20001+ or S/N 20001 and above) Includes serial numbers 20001 and above (to the latest number)
- (S/N 10001-20000) Includes serial numbers between 10000 and 20001
- (S/N 10000- or S/N 10000 and below) Includes serial numbers 10000 and below (to the earliest number)

Hitch To Tongue

(Applies to 3S-4000, 3S-4000F only)



18788

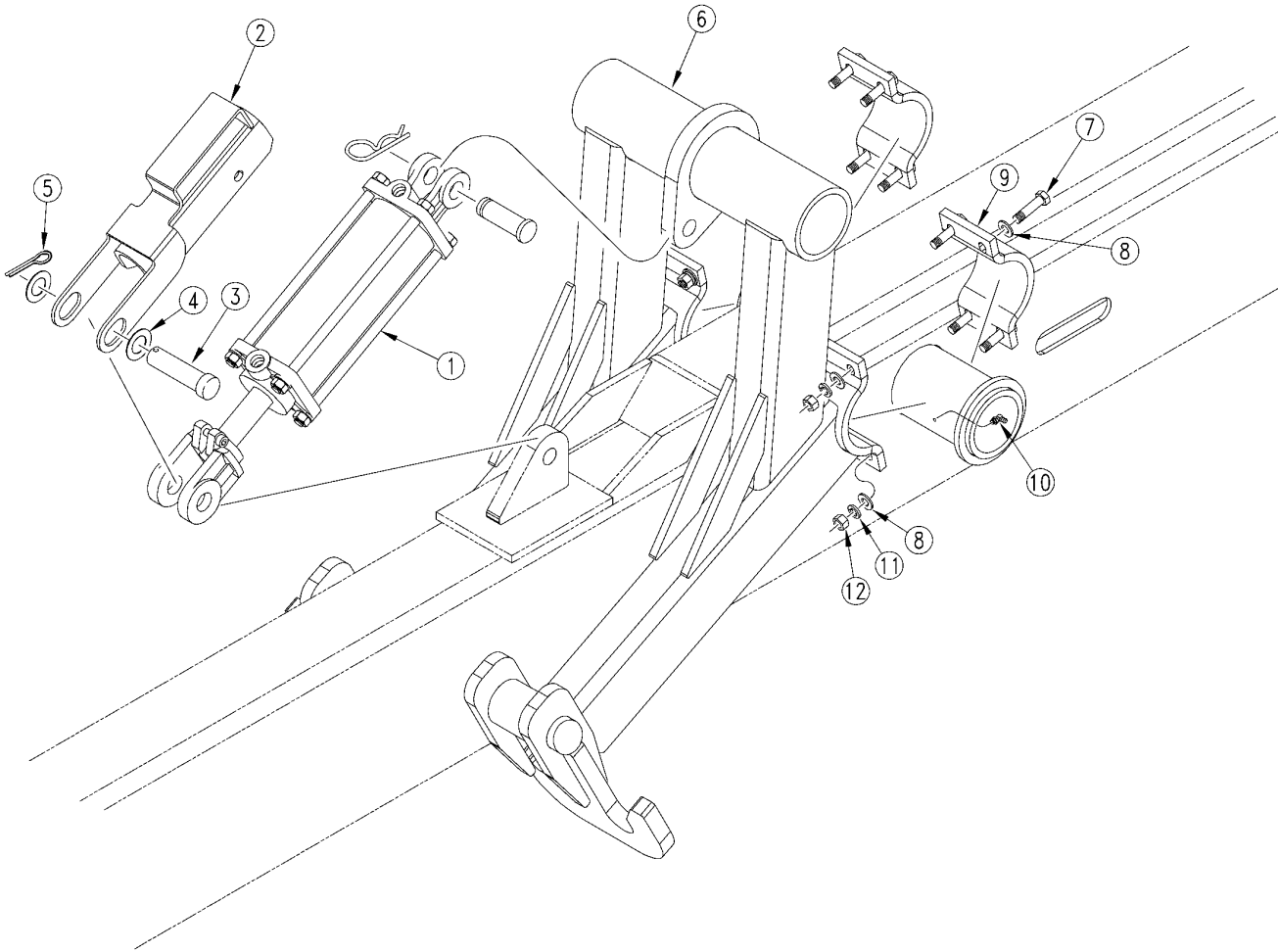
Hitch To Tongue

(Applies to 3S-4000, 3S-4000F only)

Ref	Part No.	Part Description	Comments	Revision
	dwg18788	Image No.		
1.	194-190H	3S-4000 TONGUE-MAINFRAME WLDMT		
2.	890-610C	SQ TB JACK 10000 LB 10 STROKE		
3.	194-070D	SAFETY CHAIN WASHER		
4.	802-543C	HHCS 1 1/4-7X10 GR5 SPTH		
5.	802-544C	HHCS 1 1/4-7X9 GR5 SPTH		
6.	890-184C	SAFETY CHAIN 30000 LB		
7.	170-033H	SINGLE HITCH STRAP-LARGE		
8.	803-020C	NUT HEX 1/2-13 PLT		
9.	804-015C	WASHER LOCK SPRING 1/2 PLT		
10.	804-017C	WASHER FLAT 1/2 USS PLT		
11.	196-136H	CLEVIS HITCH WELDMENT		
12.	807-073C	SPRING HOSE LOOP HEAVY		
13.	802-039C	HHCS 1/2-13X3 GR5		
14.	804-030C	WASHER LOCK 1 1/4 SPRING PLT		
15.	803-034C	NUT HEX 1 1/4-7 PLT		
16.	170-034H	SINGLE HITCH STRAP-SMALL		
17.	196-112D	RPBY 196-146D		
18.	804-009C	WASHER LOCK SPRING 5/16 PLT		
19.	802-010C	HHCS 5/16-18X1 1/4 GR5		
20.	113-370D	1/4 MARKER HYD HOSE GUARD		

Transport Hook To Tongue

(Applies to 3S-4000, 3S-4000F only)



18789

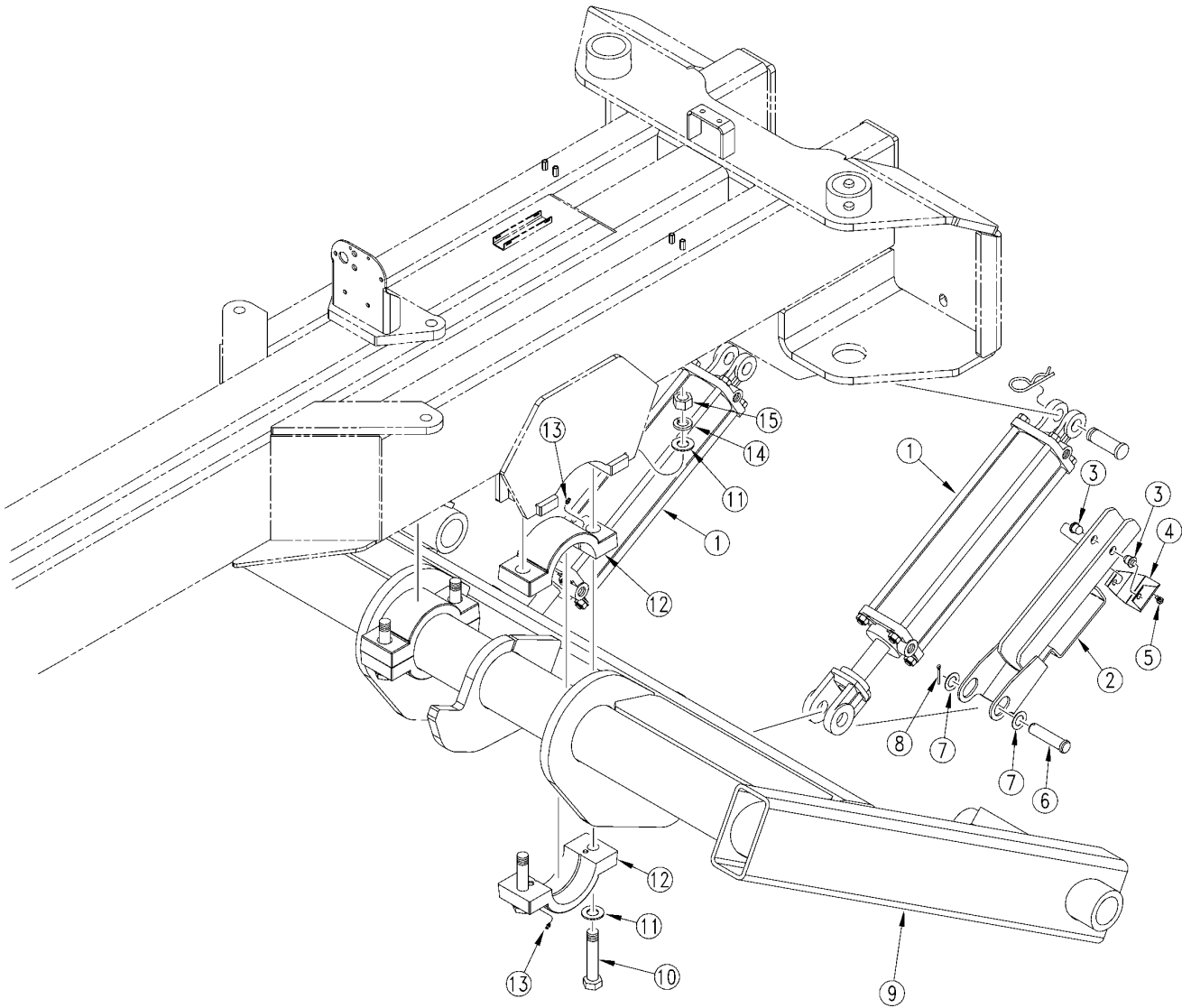
Transport Hook To Tongue

(Applies to 3S-4000, 3S-4000F only)

Ref	Part No.	Part Description	Comments	Revision
	dwg18789	Image No.		
1.	810-020C	CYL 4X10X1.25 ROD (TIE ROD)		
2.	194-106H	CYLINDER LOCK WELDMENT		
3.	805-124C	PIN CLEVIS 1 X 3 11/16 GR5 PLT		
4.	804-082C	WASHER MACH 1 3/4 X 1 X 18 GA		
5.	805-104C	PIN COTTER 3/16 X 1 1/2 PLT		
6.	194-194H	3S-4000 TRANSPORT CARRIER		
7.	802-128C	HHCS 1/2-13X2 GR5		
8.	804-016C	WASHER FLAT 1/2 SAE PLT		
9.	185-014D	ROCKSHAFT HALF BAND CAP NOZERK		
10.	800-073C	GREASE ZERK 1/4-28 X 90-DEG		
11.	804-015C	WASHER LOCK SPRING 1/2 PLT		
12.	803-020C	NUT HEX 1/2-13 PLT		

Transport Axle To Tongue

(Applies to 3S-4000, 3S-4000F only)



18790

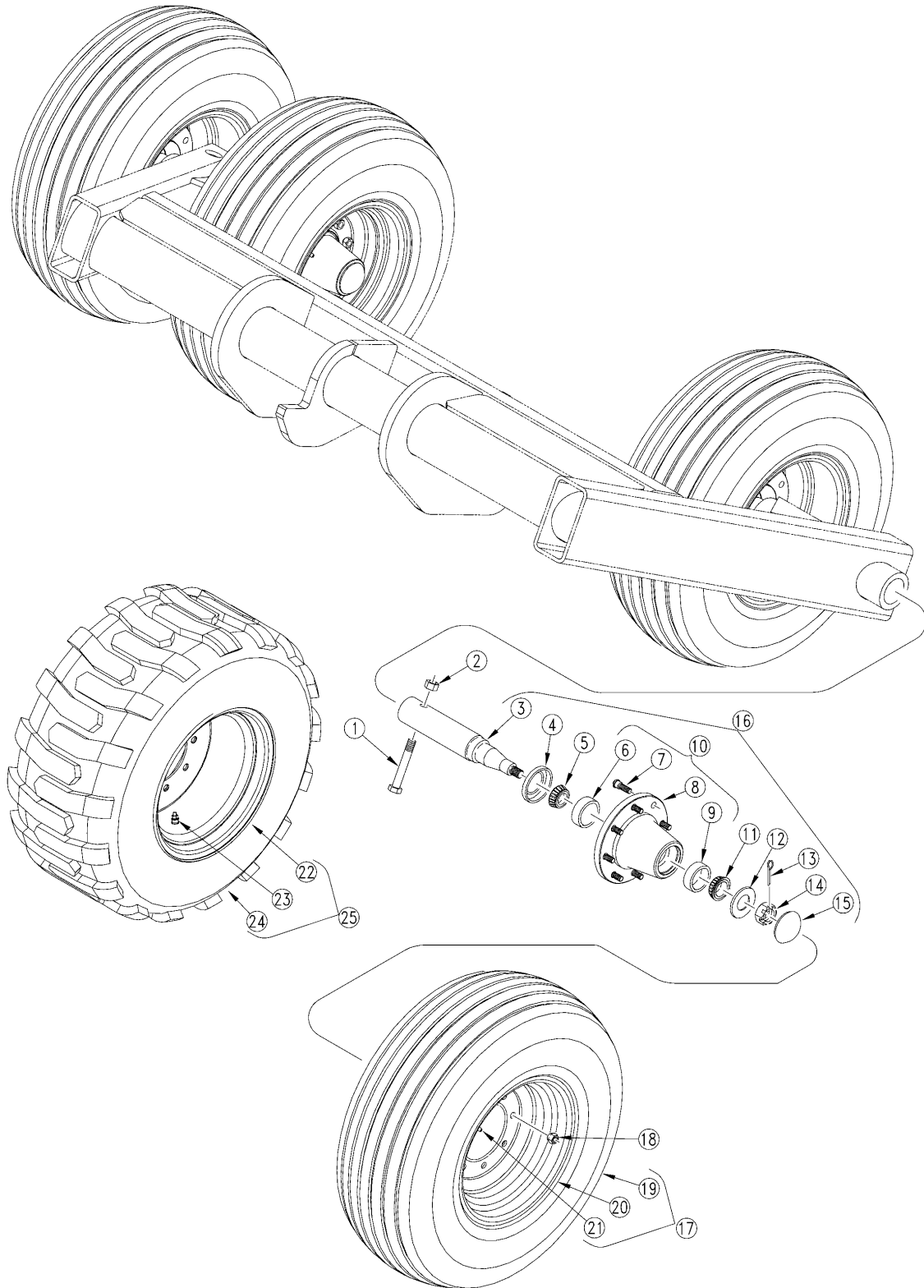
Transport Axle To Tongue

(Applies to 3S-4000, 3S-4000F only)

Ref	Part No.	Part Description	Comments	Revision
	dwg18790	Image No.		
1.	810-416C	CYL 4X16X1.50 ROD (TIE ROD)		
2.	194-198H	TRANSPORT AXLE CYL LOCK 16 IN		
3.	194-402D	PLASTIC CYL LOCK BUMPER		
4.	194-401D	LOCK SPRING CLIP		
5.	802-283C	HHCS 1/4-20X1/2 GR2		
6.	805-124C	PIN CLEVIS 1 X 3 11/16 GR5 PLT		
7.	804-082C	WASHER MACH 1 3/4 X 1 X 18 GA		
8.	805-104C	PIN COTTER 3/16 X 1 1/2 PLT		
9.	194-189H	3S-4000 TRANSPORT AXLE WLDMNT		
10.	802-205C	HHCS 1-8X5 1/2 GR5		
11.	804-029C	WASHER FLAT 1 SAE		
12.	196-145V	ROCKSHAFT BEARING SUB ASSY	Contains 10,11,14 &15.	
13.	800-001C	GREASE ZERK STRAIGHT 1/4-28		
14.	804-027C	WASHER LOCK SPRING 1 PLT		
15.	803-031C	NUT HEX 1-8 PLT		

Transport Tires And Hub

(Applies to 3S-4000, 3S-4000F only)



18791

Transport Tires And Hub

(Applies to 3S-4000, 3S-4000F only)

Ref	Part No.	Part Description	Comments	Revision
	dwg18791	Image No.		
	dwg18791	Image No.		
	dwg18791	Image No.		
1.	802-069C	HHCS 3/4-10X5 GR5		
1.	802-069C	HHCS 3/4-10X5 GR5		
1.	802-069C	HHCS 3/4-10X5 GR5		
2.	803-026C	NUT LOCK 3/4-10 PLT		
2.	803-026C	NUT LOCK 3/4-10 PLT		
2.	803-026C	NUT LOCK 3/4-10 PLT		
3.	815-099C	SPINDLE SGL 2.73X15.97		
3.	815-099C	SPINDLE SGL 2.73X15.97		
3.	815-099C	SPINDLE SGL 2.73X15.97		
4.	816-019C	8-BOLT HUB SEAL		
4.	816-019C	8-BOLT HUB SEAL		
4.	816-019C	8-BOLT HUB SEAL		
5.	822-036C	BEARING CONE #3780		
5.	822-036C	BEARING CONE #3780		
5.	822-036C	BEARING CONE #3780		
6.	822-037C	BEARING CUP #3720		
6.	822-037C	BEARING CUP #3720		
6.	822-037C	BEARING CUP #3720		
7.	802-182C	HUB STUD 5/8-18X2 3/8 GR5		
7.	802-182C	HUB STUD 5/8-18X2 3/8 GR5		
7.	802-182C	HUB STUD 5/8-18X2 3/8 GR5		
8.	200-006D	8-BOLT WHEEL HUB MACH.		
8.	200-006D	8-BOLT WHEEL HUB MACH.		
8.	200-006D	8-BOLT WHEEL HUB MACH.		
9.	822-039C	BEARING CUP #2720		
9.	822-039C	BEARING CUP #2720		
9.	822-039C	BEARING CUP #2720		
10.	815-101C	HUB 8 BOLT 5790# W/CUPS&STUDS		
10.	815-101C	HUB 8 BOLT 5790# W/CUPS&STUDS		
10.	815-101C	HUB 8 BOLT 5790# W/CUPS&STUDS		
11.	822-038C	BEARING CONE #2790		
11.	822-038C	BEARING CONE #2790		
11.	822-038C	BEARING CONE #2790		
12.	181-064D	7/8 SPINDLE WASHER, HARDENED		
12.	181-064D	7/8 SPINDLE WASHER, HARDENED		
12.	181-064D	7/8 SPINDLE WASHER, HARDENED		
13.	805-016C	PIN COTTER 3/16 X 1 1/4 PLT		
13.	805-016C	PIN COTTER 3/16 X 1 1/4 PLT		
13.	805-016C	PIN COTTER 3/16 X 1 1/4 PLT		
14.	803-029C	NUT HEX SLOTTED 7/8-14 PLT		
14.	803-029C	NUT HEX SLOTTED 7/8-14 PLT		
14.	803-029C	NUT HEX SLOTTED 7/8-14 PLT		
15.	P502001	GREASE CAP		
15.	P502001	GREASE CAP		
15.	P502001	GREASE CAP		
16.	815-103C	HUB & SPINDLE ASY 8 BOLT 5790#		
16.	815-103C	HUB & SPINDLE ASY 8 BOLT 5790#		
16.	815-103C	HUB & SPINDLE ASY 8 BOLT 5790#		
17.	196-208K	TITAN 12L-15 20 PLY 8 BOLT	(S/N YY2902-)	
17.	196-208K	TITAN 12L-15 20 PLY 8 BOLT	(S/N YY2902-)	
17.	196-208K	TITAN 12L-15 20 PLY 8 BOLT	(S/N YY2902-)	
17.	196-541K	TITAN 12.5L-15 20PLY 8BLT BKSN	(S/N YY2903+)	
17.	196-541K	TITAN 12.5L-15 20PLY 8BLT BKSN	(S/N YY2903+)	
17.	196-541K	TITAN 12.5L-15 20PLY 8BLT BKSN	(S/N YY2903+)	
18.	803-219C	NUT LUG 5/8-18 X 90 DEG PLT		

[Table of Contents](#) [Part Number Index](#)

Transport Tires And Hub (continued)

(Applies to 3S-4000, 3S-4000F only)

Ref	Part No.	Part Description	Comments	Revision
18.	803-219C	NUT LUG 5/8-18 X 90 DEG PLT		
18.	803-219C	NUT LUG 5/8-18 X 90 DEG PLT		
19.	814-177C	TIRE TITAN 12.5L-15 20 PLY		
19.	814-177C	TIRE TITAN 12.5L-15 20 PLY		
19.	814-177C	TIRE TITAN 12.5L-15 20 PLY		
20.	814-104C	WHEEL 15 x 10 x 8 BOLT	(S/N YY2902-)	
20.	814-104C	WHEEL 15 x 10 x 8 BOLT	(S/N YY2902-)	
20.	814-104C	WHEEL 15 x 10 x 8 BOLT	(S/N YY2902-)	
20.	814-553C	WHEEL 15X10 8 BOLT BUCKSKIN	(S/N YY2903+)	
20.	814-553C	WHEEL 15X10 8 BOLT BUCKSKIN	(S/N YY2903+)	
20.	814-553C	WHEEL 15X10 8 BOLT BUCKSKIN	(S/N YY2903+)	
21.	816-035C	VALVE STEM TR415X.625X1 1/4 LG		
21.	816-035C	VALVE STEM TR415X.625X1 1/4 LG		
21.	816-035C	VALVE STEM TR415X.625X1 1/4 LG		
22.	814-208C	RIM 16.5X12, 8 BLT 6 PILT 8 BC	(S/N YY2902-)	
22.	814-208C	RIM 16.5X12, 8 BLT 6 PILT 8 BC	(S/N YY2902-)	
22.	814-208C	RIM 16.5X12, 8 BLT 6 PILT 8 BC	(S/N YY2902-)	
22.	814-549C	RIM16.5X12 8BLT 6PILT 8BC BKSN	(S/N YY2903+)	
22.	814-549C	RIM16.5X12 8BLT 6PILT 8BC BKSN	(S/N YY2903+)	
22.	814-549C	RIM16.5X12 8BLT 6PILT 8BC BKSN	(S/N YY2903+)	
23.	814-210C	VALVE STEM METAL TR-575 TUBLES		
23.	814-210C	VALVE STEM METAL TR-575 TUBLES		
23.	814-210C	VALVE STEM METAL TR-575 TUBLES		
24.	814-206C	TIRE SKID ST 395/55B16.5 NHS		
24.	814-206C	TIRE SKID ST 395/55B16.5 NHS		
24.	814-206C	TIRE SKID ST 395/55B16.5 NHS		
25.	196-272K	RH TIRE/RIM 395/55B16.5 SKID 8	(S/N YY2902-)	
25.	196-272K	RH TIRE/RIM 395/55B16.5 SKID 8	(S/N YY2902-)	
25.	196-272K	RH TIRE/RIM 395/55B16.5 SKID 8	(S/N YY2902-)	
25.	196-539K	RH TIRE/RIM395/55B16.5SKID8 BK	(S/N YY2903+)	
25.	196-539K	RH TIRE/RIM395/55B16.5SKID8 BK	(S/N YY2903+)	
25.	196-539K	RH TIRE/RIM395/55B16.5SKID8 BK	(S/N YY2903+)	
25.	196-273K	LH TIRE/RIM 395/55B16.5 SKID 8	(S/N YY2902-)	
25.	196-273K	LH TIRE/RIM 395/55B16.5 SKID 8	(S/N YY2902-)	
25.	196-273K	LH TIRE/RIM 395/55B16.5 SKID 8	(S/N YY2902-)	
25.	196-540K	LH TIRE/RIM395/55B16.5SKID8 BK	(S/N YY2903+)	
25.	196-540K	LH TIRE/RIM395/55B16.5SKID8 BK	(S/N YY2903+)	
25.	196-540K	LH TIRE/RIM395/55B16.5SKID8 BK	(S/N YY2903+)	

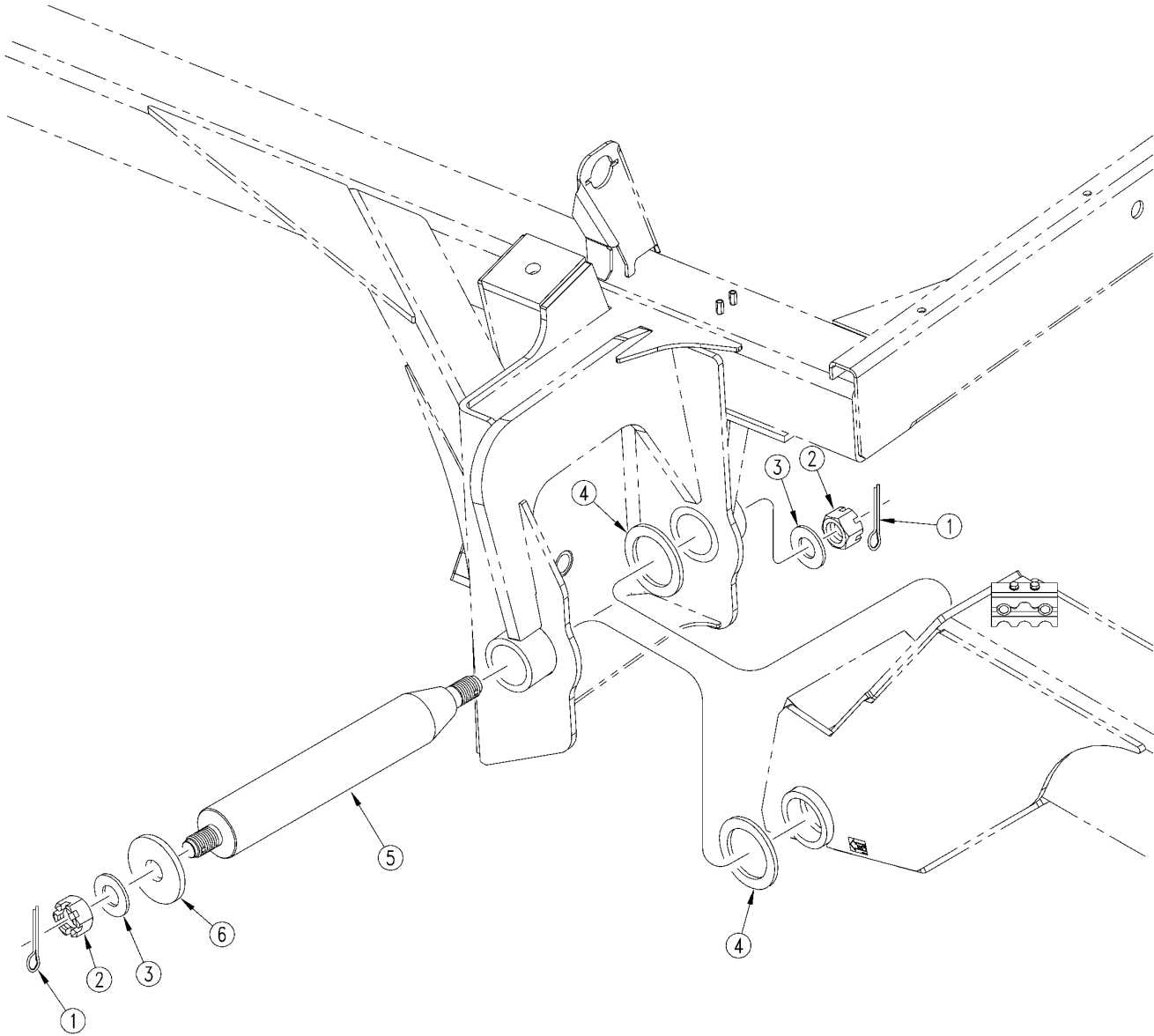
Transport Tires And Hub (continued)

(Applies to 3S-4000, 3S-4000F only)

This Page Intentionally Left Blank

Toolbar Pivots To Box Frames

(Applies to 3S-4000, 3S-4000F only)



18796

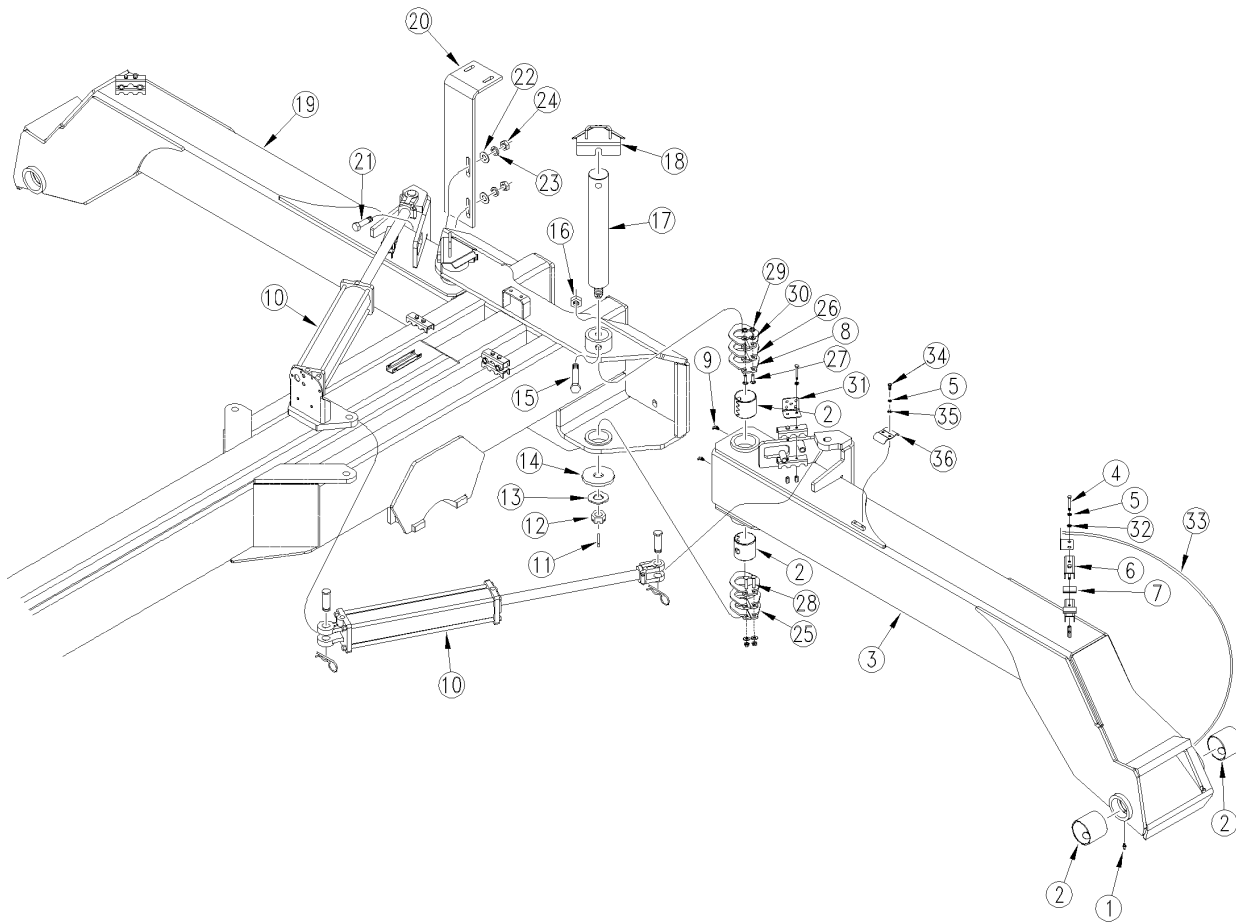
Toolbar Pivots To Box Frames

(Applies to 3S-4000, 3S-4000F only)

Ref	Part No.	Part Description	Comments	Revision
	dwg18796	Image No.		
1.	805-085C	PIN COTTER 5/16 X 2 1/2		
2.	803-079C	NUT HEX SLOTTED 1 1/4 - 7		
3.	804-035C	WASHER FLAT 1 1/4 USS PLT		
4.	194-270D	TOOLBAR SPACER WASHER		
5.	194-473D	4000 TOOLBAR HORIZ PIVOT PIN		
6.	197-001D	BOX HINGE PIVOT WASHER		

Toolbar To Tongue

(Applies to 3S-4000, 3S-4000F only)



18792

Toolbar To Tongue

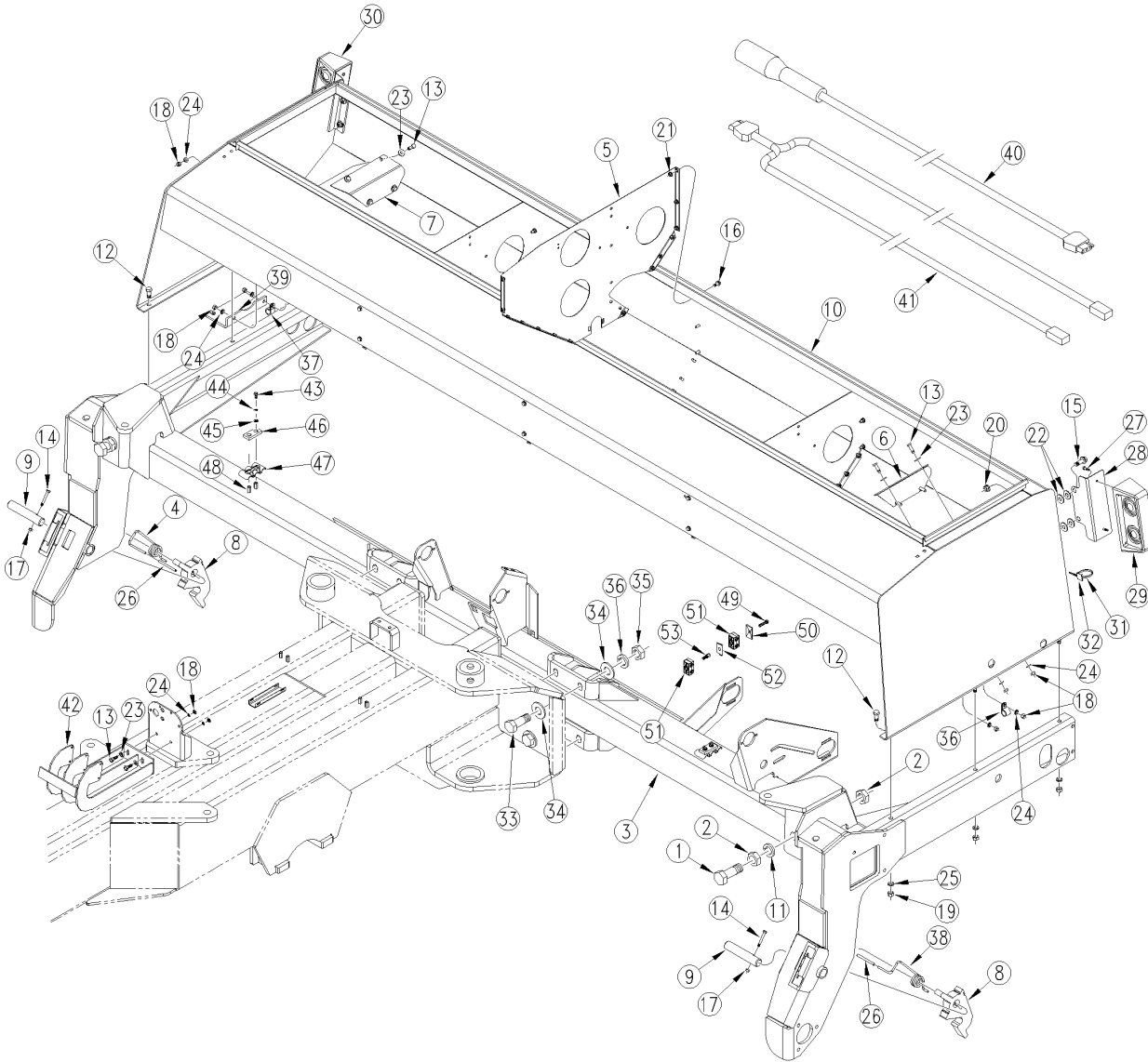
(Applies to 3S-4000, 3S-4000F only)

Ref	Part No.	Part Description	Comments	Revision
	dwg18792	Image No.		
1.	800-001C	GREASE ZERK STRAIGHT 1/4-28		
2.	890-193C	STEEL BUSHING 3 1/4X3IDX3LONG		
3.	194-188H	3S-4000 TOOLBAR LH		
4.	802-138C	HHCS 5/16-18X2 1/4 GR5		
5.	804-009C	WASHER LOCK SPRING 5/16 PLT		
6.	196-112D	HOSE CLAMP BRACKET		
7.	113-370D	1/4 MARKER HYD HOSE GUARD		
8.	194-525D	HARDENED SPACER WASHER W/SLOTS		
9.	800-073C	GREASE ZERK 1/4-28 X 90-DEG		
10.	810-421C	CYL 4X20X1.50 ROD (TIE ROD)		
11.	805-085C	PIN COTTER 5/16 X 2 1/2		
12.	803-079C	NUT HEX SLOTTED 1 1/4 - 7		
13.	804-035C	WASHER FLAT 1 1/4 USS PLT		
14.	197-001D	BOX HINGE PIVOT WASHER		
15.	802-178C	HHCS 7/8-9X5 1/2 GR5		
16.	803-028C	NUT NY-LOK 7/8-9 PLT		
17.	194-472D	4000 TOOLBAR VERT PIVOT PIN		
18.	194-028H	HINGE MOUNTED HOSE GUIDE		
19.	194-187H	3S-4000 TOOLBAR RH		
20.	194-495D	DRIVE BREAKAWAY SUPPORT PLATE		
21.	802-088C	RHSNB 5/8-11X2 GR5		
22.	804-095C	WASHER FLAT 5/8 HARD ASTMF436		
23.	804-022C	WASHER LOCK SPRING 5/8 PLT		
24.	803-021C	NUT HEX 5/8-11 PLT		
25.	194-526D	SPLIT SPACER WASHER,INNER LOCK		
26.	194-527D	SPLIT SPACER WASHER,OUTER LOCK		
27.	802-155C	RHSNB 3/8-16X1 1/4 GR5		
28.	802-252C	RHSNB 3/8-16X1 3/4 GR5		
29.	803-209C	NUT FLANGE LOCK 3/8-16 PLT		
30.	804-011C	WASHER FLAT 3/8 USS PLT		
31.	194-577D	5 OUTLET GREASE BANK		
32.	804-036C	WASHER FLAT 5/16 SAE PLT		
33.	990-109R	TUBE NYLON 1/4OD X 062WL		
34.	802-007C	HHCS 5/16-18X3/4 GR5		
35.	804-010C	WASHER FLAT 5/16 USS PLT		
36.	502-068D	HYD HOSE CLAMP BRACKET		

[Table of Contents](#) [Part Number Index](#)

Center Box And Center Frame To Tongue

(Applies to 3S-4000, 3S-4000F only)



18803

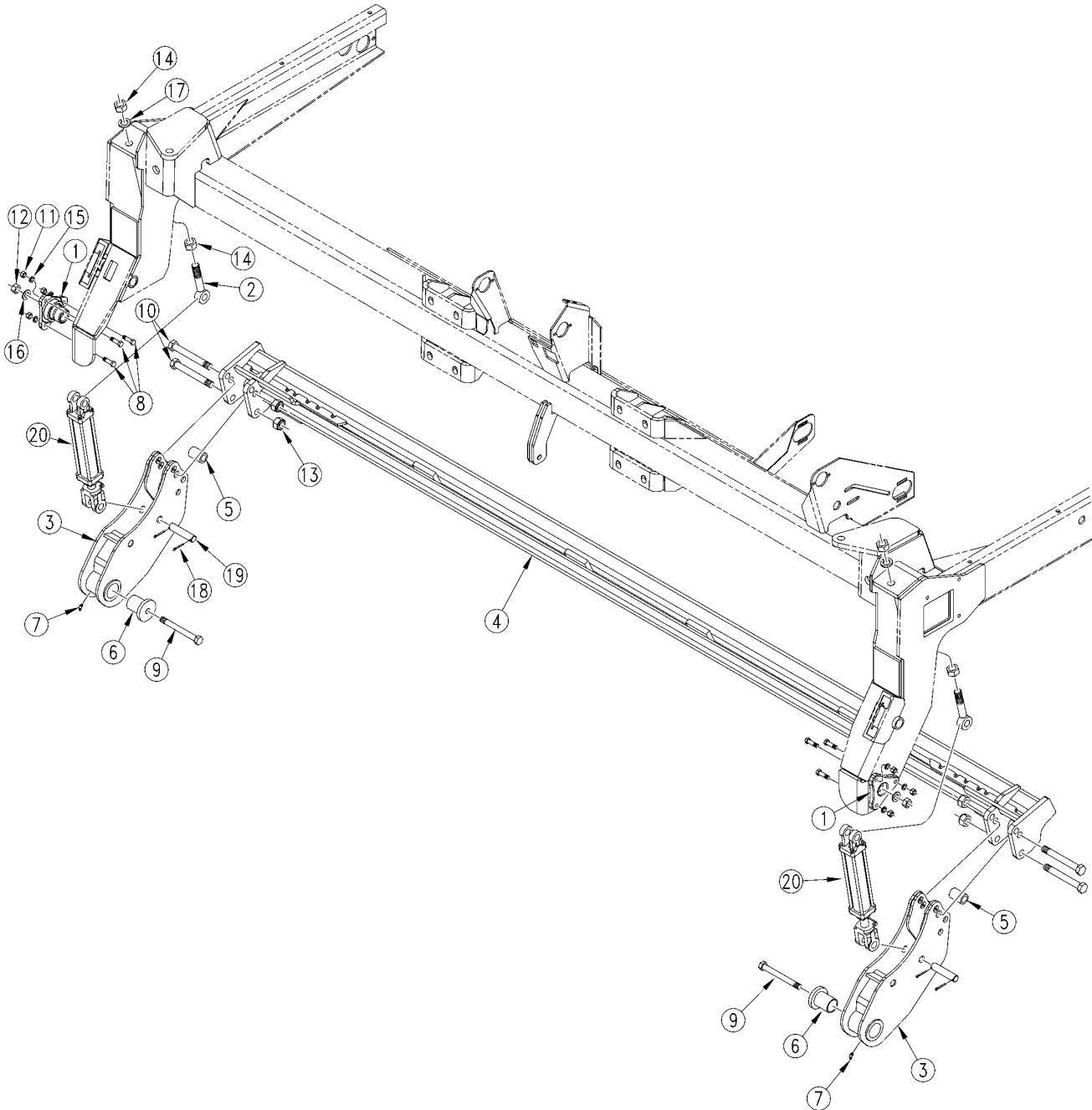
Center Box And Center Frame To Tongue

(Applies to 3S-4000, 3S-4000F only)

Ref	Part No.	Part Description	Comments	Revision
	dwg18803	Image No.		
1.	802-426C	HHCS 1 1/4-7X3 1/2 GR5 PLT		
2.	803-032C	NUT HEX JAM 1 1/4-7 PLT		
3.	194-184H	3S-4000 CENTER BOX FRAME		
4.	194-274D	3S TORSION SPRING HANDLE RH		
5.	195-100D	3S BOX PARTITION		
6.	195-101D	INTERIOR ENDPANEL COVER LH		
7.	195-102D	INTERIOR ENDPANEL COVER RH		
8.	195-159D	SUBFRAME LOCK HOOK		
9.	195-160D	GAUGE WHEEL LOCK PIN		
10.	195-244H	3S-4000 SEED BOX		
11.	804-030C	WASHER LOCK 1 1/4 SPRING PLT		
12.	802-034C	HHCS 1/2-13X1 1/4 GR5		
13.	802-079C	HHCS 3/8-16X1 1/4 GR5		
14.	802-138C	HHCS 5/16-18X2 1/4 GR5		
15.	802-203C	HFSS 1/2-13X1 1/2 GR5		
16.	802-387C	HFS 5/16-18X3/4 GR5		
17.	803-011C	NUT LOCK 5/16-18 PLT		
18.	803-014C	NUT HEX 3/8-16 PLT		
19.	803-020C	NUT HEX 1/2-13 PLT		
20.	803-169C	NUT HEX FLG. LOCK 1/2-13 PLT.		
21.	803-199C	NUT HEX FLANGE 5/16-18 PLT		
22.	804-016C	WASHER FLAT 1/2 SAE PLT		
23.	804-011C	WASHER FLAT 3/8 USS PLT		
24.	804-013C	WASHER LOCK SPRING 3/8 PLT		
25.	804-015C	WASHER LOCK SPRING 1/2 PLT		
26.	816-241C	RUBBER HANDLE GRIP.207IDX3 1/2		
27.	801-081C	SCREW HEX SELF TAP 1/4-20X3/4		
28.	150-138D	12' EWNT LIGHT BRACKET		
29.	890-311C	DUAL AG LIGHTS LH	(S/N YY2718-) Refer to LED Lights.	
30.	890-312C	DUAL AG LIGHTS RH	(S/N YY2718-) Refer to LED Lights.	
31.	800-112C	CABLE TIE .19X7.25 1.75D 50LB		
32.	800-148C	CABLE TIE MOUNT		
33.	802-103C	HHCS 7/8-9X2 3/4 GR5		
34.	804-134C	WASHER FLAT 7/8 USS PLT		
35.	803-049C	NUT HEX 7/8-9 PLT		
36.	804-037C	WASHER LOCK SPRING 7/8 PLT		
37.	800-064C	HOSE CLIP 13/16 ID		
38.	194-273D	3S TORSION SPRING HANDLE LH		
39.	148-613D	BOX SUPPORT ANGLE		
40.	890-431C	LIGHT HARNESS, 35' LEAD	(S/N YY2718-) Refer to LED Lights.	
41.	890-390C	LIGHT HARNESS, 10' WISHBONE	(S/N YY2718-) Refer to LED Lights.	
42.	194-134H	VALVE MOUNT BRACKET		
43.	802-007C	HHCS 5/16-18X3/4 GR5		
44.	804-009C	WASHER LOCK SPRING 5/16 PLT		
45.	804-036C	WASHER FLAT 5/16 SAE PLT		
46.	196-885D	HOSE CLAMP HOLDDOWN		
47.	196-146D	3-HOSE CLAMP BRACKET		
48.	803-072C	NUT HEX COUPLER 5/16-18		
49.	802-012C	HHCS 5/16-18X1 1/2 GR5		
50.	851-244C	STAUFF COVER PLATE GROUP 2D		
51.	851-240C	STAUFF CLAMP BODY 2D 0.63 HOLE		
52.	851-246C	STAUFF LOCK PLATE - 2-3D		
53.	851-242C	STAUFF STACKING BOLT - 2D		

Center Sub-Frame

(Applies to 3S-4000, 3S-4000F only)



18815

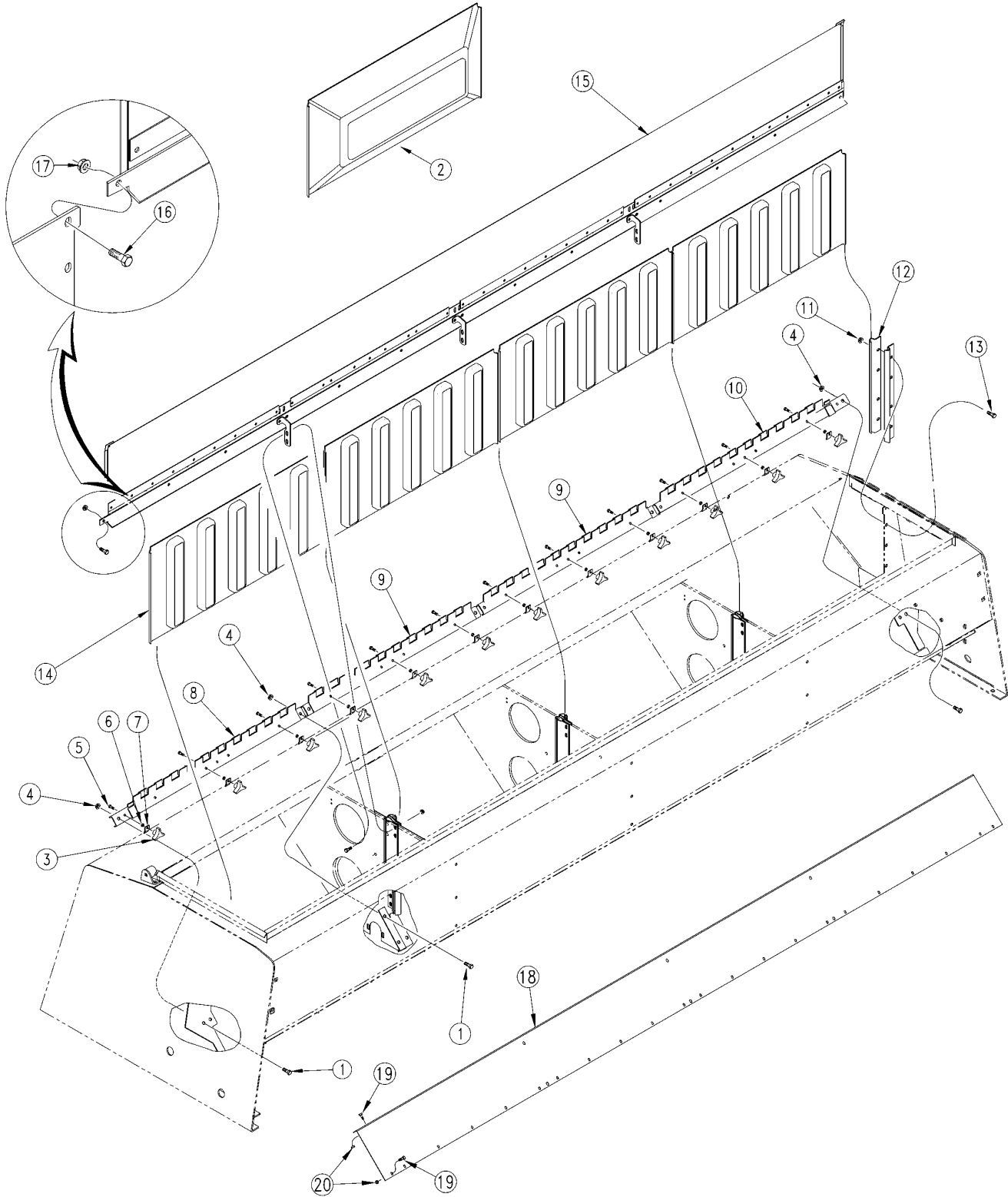
Center Sub-Frame

(Applies to 3S-4000, 3S-4000F only)

Ref	Part No.	Part Description	Comments	Revision
	dwg18815	Image No.		
1.	120-247D	3 BOLT PIVOT CAST W/ BOLT HOLE		
2.	194-129H	6 1/8 EYE BOLT		
3.	194-156H	SUBFRAME FLEX ARM, INNER		
4.	194-181H	3S-4000 OPENER SUBFRAME CENTER		
5.	194-516D	SUBFRAME FLEX ARM SPACER,SHORT		
6.	195-188H	SUBFRAME ARM RETAINER		
7.	800-058C	GREASE ZERK 1/4-28 X 45-DEG		
8.	802-082C	HHCS 1/2-13X1 3/4 GR5		
9.	802-095C	HHCS 3/4-10X7 GR5		
10.	802-139C	HHCS 7/8-9X7 GR5		
11.	803-020C	NUT HEX 1/2-13 PLT		
12.	803-026C	NUT LOCK 3/4-10 PLT		
13.	803-028C	NUT NY-LOK 7/8-9 PLT		
14.	803-031C	NUT HEX 1-8 PLT		
15.	804-015C	WASHER LOCK SPRING 1/2 PLT		
16.	804-025C	WASHER FLAT 3/4 SAE PLT		
17.	804-027C	WASHER LOCK SPRING 1 PLT		
18.	805-104C	PIN COTTER 3/16 X 1 1/2 PLT		
19.	805-236C	PIN CLEVIS 1 X 3 7/8 USBLE PLT		
20.	810-299C	CYL 2X8X1.12 ROD (TIE ROD)		

Fertilizer Box Dividers

(Applies to 3S-4000, 3S-4000F only)



19314

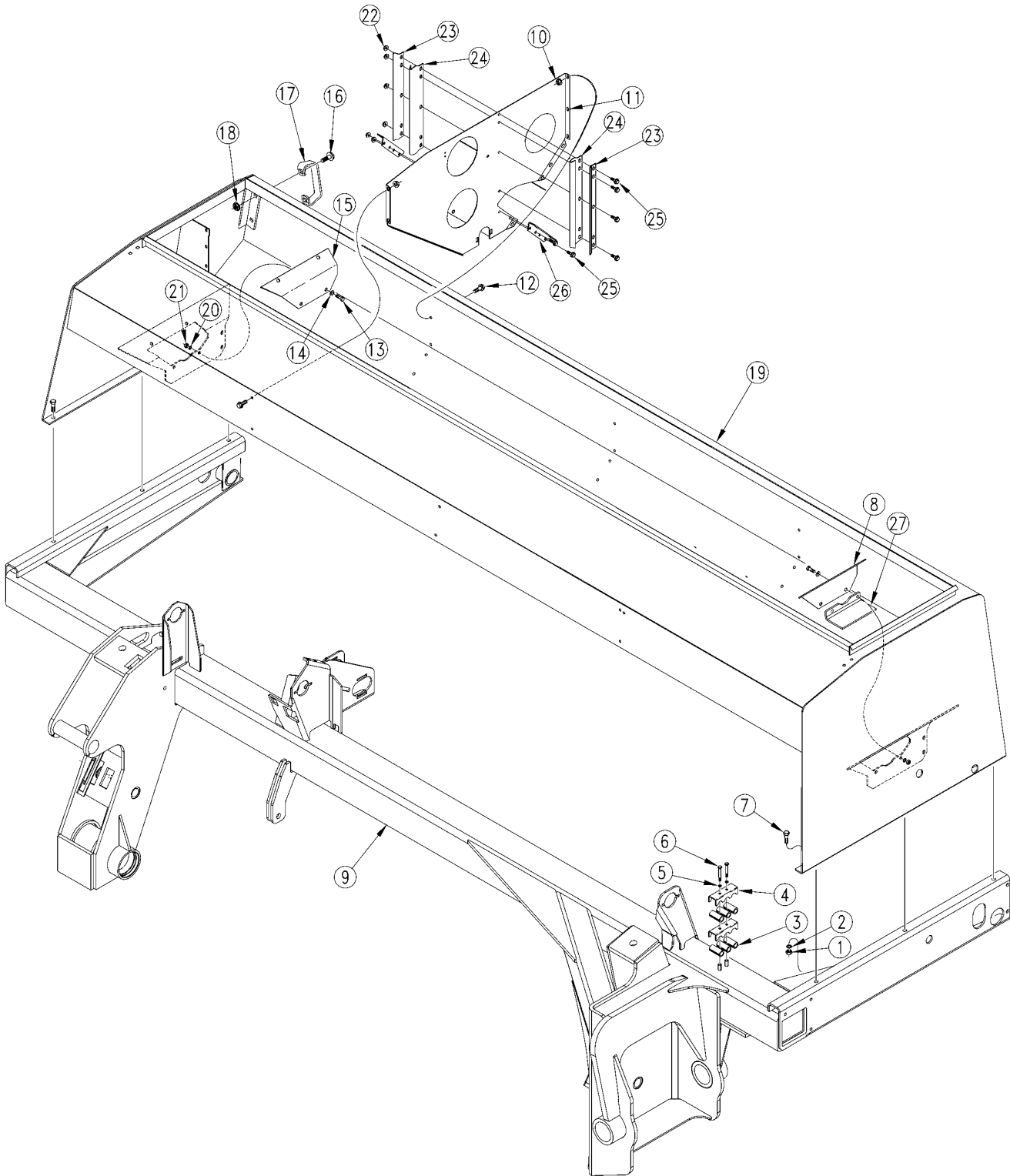
Fertilizer Box Dividers

(Applies to 3S-4000, 3S-4000F only)

Ref	Part No.	Part Description	Comments	Revision
	dwg19314	Image No.		
1.	802-017C	HHCS 3/8-16X1 GR5		
2.	817-322C	DIVIDER INSERT 33 X 4.5 OFFSET		
3.	817-324C	KNOB 1/4-20 FEMALE THD		
4.	803-209C	NUT FLANGE LOCK 3/8-16 PLT		
5.	802-005C	HHCS 1/4-20X1 GR5		
6.	803-007C	NUT-LOCK 1/4-20 PLT		
7.	195-208D	RETAINER CLIP		
8.	195-182H	DIVIDER BOTTOM BRACKET LH		
9.	195-181H	DIVIDER BOTTOM BRACKET CTR		
10.	195-183H	DIVIDER BOTTOM BRACKET RH		
11.	803-199C	NUT HEX FLANGE 5/16-18 PLT		
12.	195-194D	DIVIDER CLIP, END MOUNTED		
13.	802-387C	HFS 5/16-18X3/4 GR5		
14.	817-321C	DIVIDER INSERT 33 X NO OFFSET		
15.	175-190S	1300 SPILL FLAP SUB ASSEMBLY		
16.	802-375C	HFSS 1/4-20X1 GR5		
17.	803-088C	NUT HEX LOCK 1/4-20 FLG		
18.	175-289D	13' EW FERTILIZER CAP PLATE		
19.	802-196C	HFSS 1/4-20X5/8 GR5		
20.	803-088C	NUT HEX LOCK 1/4-20 FLG		

Fertilizer Box To Frame

(Applies to 3S-4000, 3S-4000F only)



21522

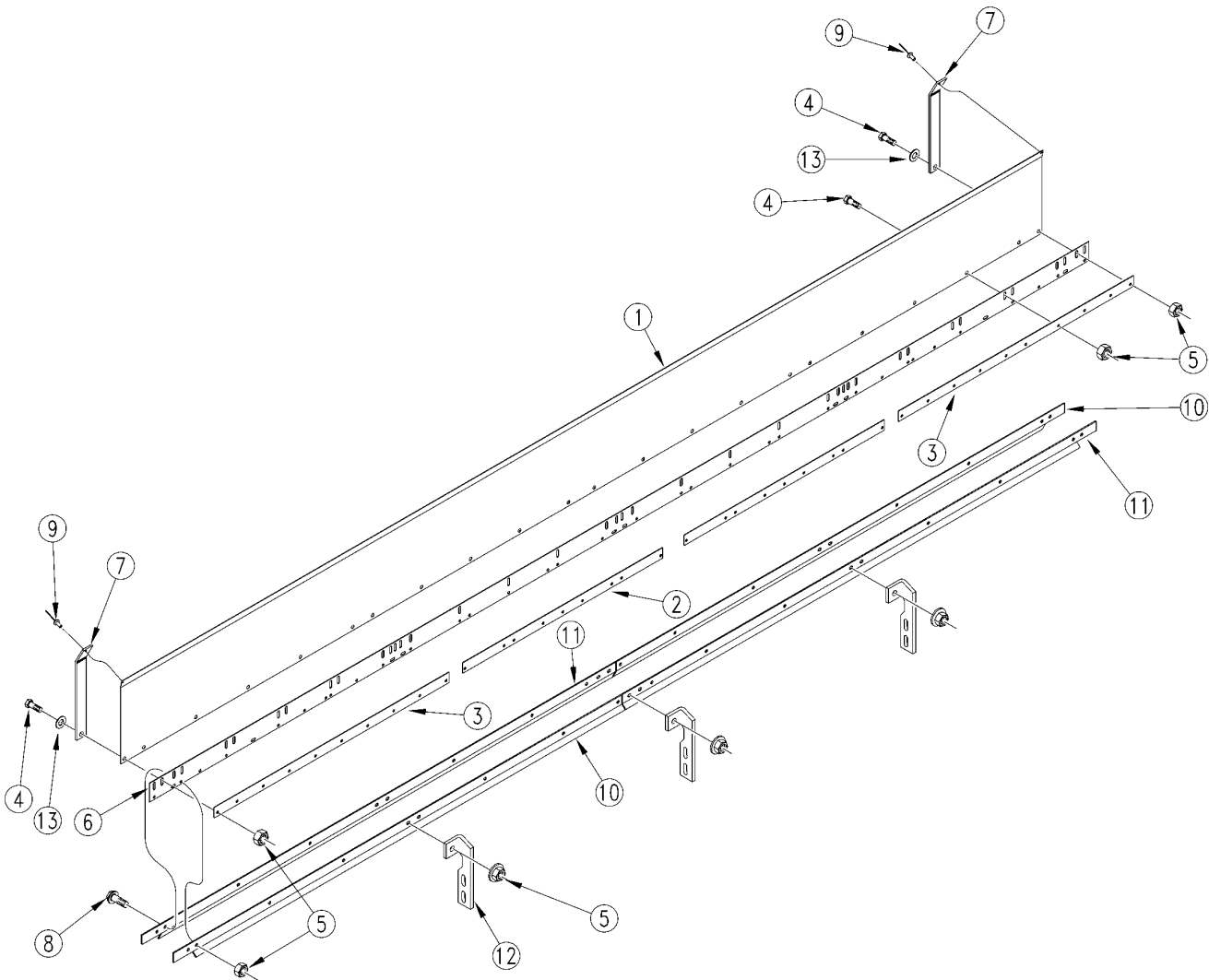
Fertilizer Box To Frame

(Applies to 3S-4000, 3S-4000F only)

Ref	Part No.	Part Description	Comments	Revision
	dwg21522	Image No.		
1.	803-020C	NUT HEX 1/2-13 PLT		
2.	804-015C	WASHER LOCK SPRING 1/2 PLT		
3.	113-370D	1/4 MARKER HYD HOSE GUARD		
4.	196-112D	RPBY 196-146D		
5.	804-009C	WASHER LOCK SPRING 5/16 PLT		
6.	802-138C	HHCS 5/16-18X2 1/4 GR5		
7.	802-034C	HHCS 1/2-13X1 1/4 GR5		
8.	195-101D	INTERIOR ENDPANEL COVER LH		
9.	194-182H	3S-4000 LH WING FRAME		
9.	194-183H	3S-4000 RH WING FRAME		
9.	194-184H	3S-4000 CENTER BOX FRAME		
10.	803-199C	NUT HEX FLANGE 5/16-18 PLT		
11.	195-100D	3S BOX PARTITION		
12.	802-387C	HFS 5/16-18X3/4 GR5		
13.	802-079C	HHCS 3/8-16X1 1/4 GR5		
14.	804-011C	WASHER FLAT 3/8 USS PLT		
15.	195-102D	INTERIOR ENDPANEL COVER RH		
16.	802-203C	HFSS 1/2-13X1 1/2 GR5		
17.	119-190D	HANDLE		
18.	803-169C	NUT HEX FLG. LOCK 1/2-13 PLT.		
19.	175-219H	2600 SEED BOX		
20.	804-013C	WASHER LOCK SPRING 3/8 PLT		
21.	803-014C	NUT HEX 3/8-16 PLT		
22.	803-177C	803-184 FLG TP LK 5/16-18ZNYCR		
23.	195-207D	DIVIDER CLIP OUTER		
24.	195-206D	DIVIDER CLIP INNER		
25.	802-442C	HFSS 5/16-18X1 1/4		
26.	195-205D	DIVIDER ANGLE BRACKET		
27.	148-613D	BOX SUPPORT ANGLE		

Fertilizer Spill Flap (175-190S)

(Applies to 3S-4000, 3S-4000F only)



16579

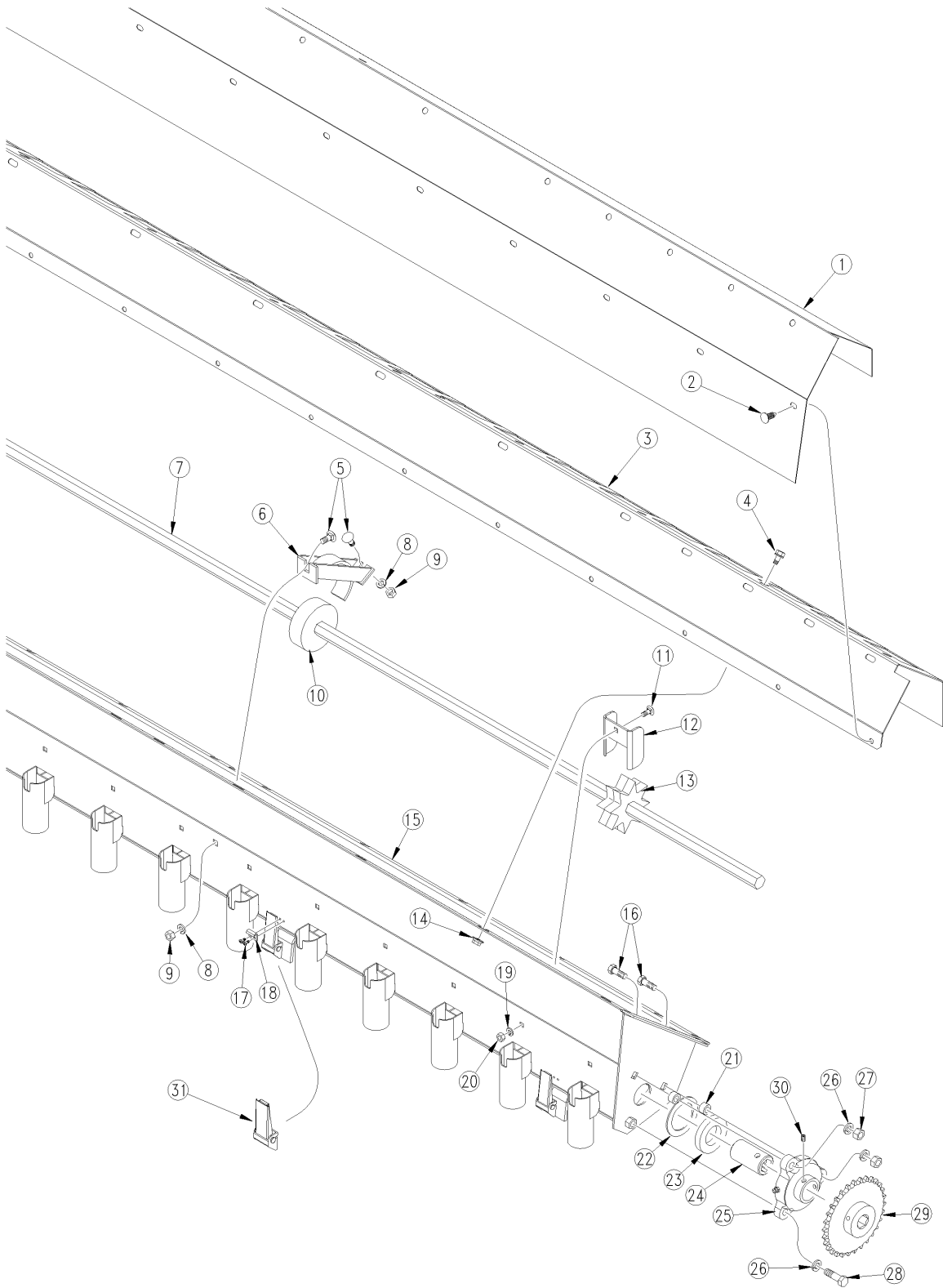
Fertilizer Spill Flap (175-190S)

(Applies to 3S-4000, 3S-4000F only)

Ref	Part No.	Part Description	Comments	Revision
	dwg16579	Image No.		
1.	175-331D	1300 SPILL FLAP		
2.	195-197D	HINGE CLAMP STRIP CTR		
3.	175-327D	1300 HINGE CLAMP STRIP END		
4.	802-078C	HHCS 1/4-20X5/8 GR5		
5.	803-088C	NUT HEX LOCK 1/4-20 FLG		
6.	816-291C	RUBBER BELTING HINGE 13 EW		
7.	816-278C	RUBBER BELTING SEAL STRIP		
8.	802-375C	HFSS 1/4-20X1 GR5		
9.	800-012C	RIVET SS 1/8 DIA		
10.	175-325D	1300 DIVIDER CLAMP ANGLE SHORT		
11.	175-326D	1300 DIVIDER CLAMP ANGLE LONG		
12.	195-192D	TOP BAR PARTITION BRACE		
13.	804-007C	WASHER FLAT 1/4 SAE PLT		

Fertilizer Tray

(Applies to 3S-4000, 3S-4000F only)



27430

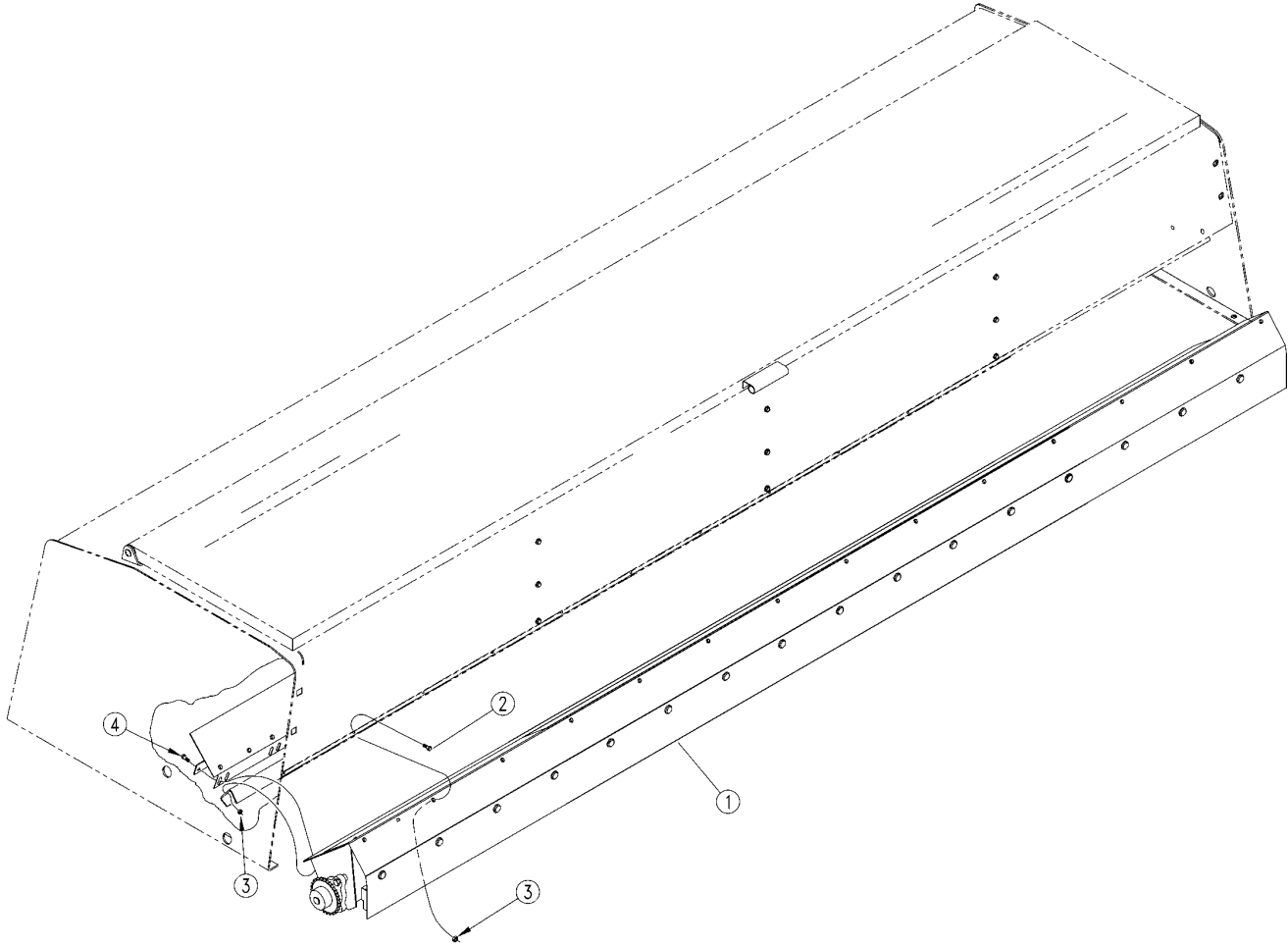
Fertilizer Tray

(Applies to 3S-4000, 3S-4000F only)

Ref	Part No.	Part Description	Comments	Revision
	dwg 27430	Image No.		
1.	816-292C	VINYL FERT DEW SHIELD 13 EW		
2.	817-323C	NYLON RATCHET (TREE RIVET)		
3.	175-338D	1300 FERT TRAY ADAPTER PANEL		
4.	802-148C	HFSS 1/4-20X1/2 GR5		
5.	802-092C	RHSNB 5/16-18X3/4 GR5		
6.	175-102H	13' EW FERT BRG RETAINER		
7.	175-341D	1300 AGITATOR SHAFT		
8.	804-009C	WASHER LOCK SPRING 5/16 PLT		
9.	803-008C	NUT HEX 5/16-18 PLT		
10.	191-002D	MF FERT HEX BORE PLASTIC BUSH		
11.	802-633C	RHSNB 1/4-20X5/8 PLT		
12.	191-018D	MF FERT STAR RETAINER SIDE PLT		
13.	817-053C	6 POINT FERT METERING WHEEL		
14.	803-088C	NUT HEX LOCK 1/4-20 FLG		
15.	175-184H	1300 FERT TRAY WELDMENT 10		
15.	175-183H	1300 FERT TRAY WELDMENT 6		
15.	175-182H	1300 FERT TRAY WELDMENT 7 1/2		
16.	802-252C	RHSNB 3/8-16X1 3/4 GR5		
17.	800-012C	RIVET SS 1/8 DIA		
18.	800-032C	LATCH STRIKE		
19.	804-006C	WASHER LOCK SPRING 1/4 PLT		
20.	803-006C	NUT HEX 1/4-20 PLT		
21.	141-084D	TRAY BRG SPACER		
22.	804-048C	WASHER MACH 2.50 X1.75 X .075		
23.	890-026C	FELT SEAL		
24.	191-001D	MF FERT .75 HEX BORE BUSHING		
25.	822-083C	BRG FLG 1.25ID 3BOLT		
26.	804-013C	WASHER LOCK SPRING 3/8 PLT		
27.	803-014C	NUT HEX 3/8-16 PLT		
28.	802-079C	HHCS 3/8-16X1 1/4 GR5		
29.	808-086C	SPKT 40B30 X 3/4 HEXBORE W/ SS		
30.	801-009C	SCREW SET 1/4-28 SH X 1/2 LG		
31.	800-030C	LATCH FERT TRAY DOOR		

Fertilizer Tray To Box

(Applies to 3S-4000, 3S-4000F only)



19316

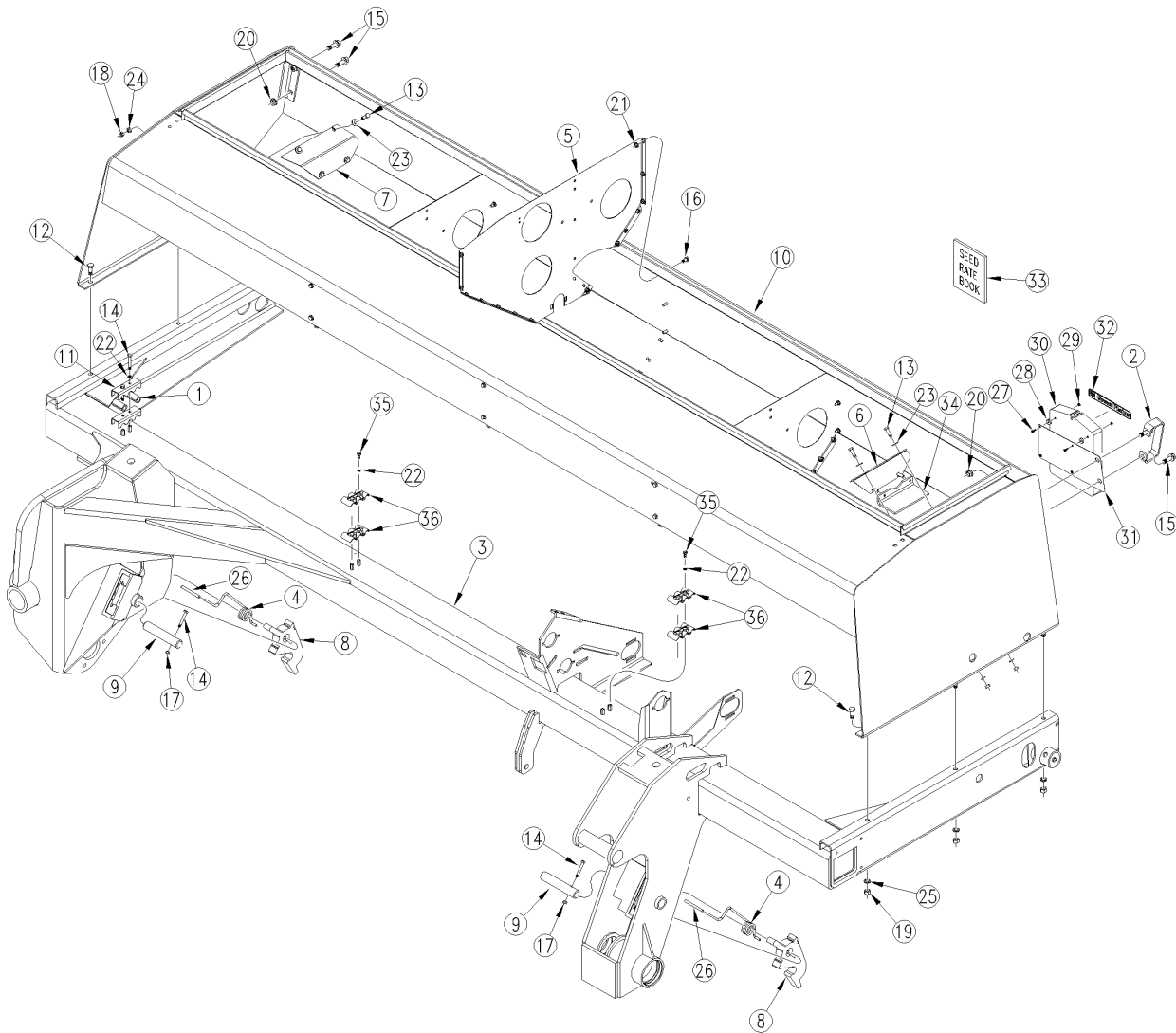
Fertilizer Tray To Box

(Applies to 3S-4000, 3S-4000F only)

Ref	Part No.	Part Description	Comments	Revision
	dwg19316	Image No.		
1.	195-223K	2600 RH FERT TRAY ASSY 6		
1.	195-224K	2600 RH FERT TRAY ASSY 7 1/2		
1.	195-225K	2600 RH FERT TRAY ASSY 10		
2.	802-196C	HFSS 1/4-20X5/8 GR5		
3.	803-088C	NUT HEX LOCK 1/4-20 FLG		
4.	802-375C	HFSS 1/4-20X1 GR5		

Left Hand Box And Frame

(Applies to 3S-4000, 3S-4000F only)



18806

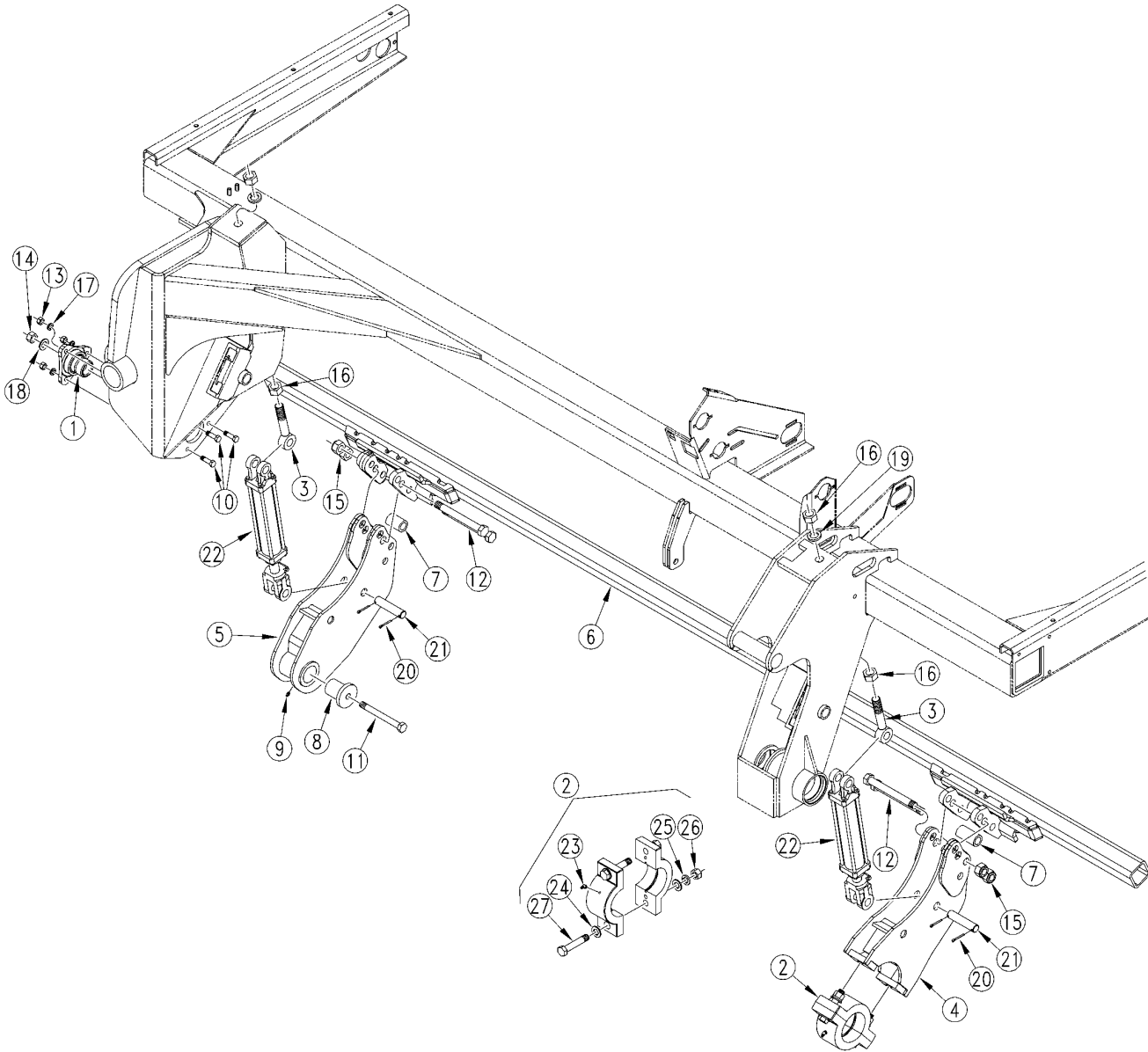
Left Hand Box And Frame

(Applies to 3S-4000, 3S-4000F only)

Ref	Part No.	Part Description	Comments	Revision
	dwg18806	Image No.		
1.	113-370D	1/4 MARKER HYD HOSE GUARD		
2.	119-190D	HANDLE		
3.	194-182H	3S-4000 LH WING FRAME	Shown, (S/N YY2839+)	
3.	194-086h	3S-4000 LH WING FRAME EARLIER	(S/N YY2838-)	
4.	194-273D	3S TORSION SPRING HANDLE LH		
5.	195-100D	3S BOX PARTITION		
6.	195-101D	INTERIOR ENDPANEL COVER LH		
7.	195-102D	INTERIOR ENDPANEL COVER RH		
8.	195-159D	SUBFRAME LOCK HOOK		
9.	195-160D	GAUGE WHEEL LOCK PIN		
10.	195-244H	3S-4000 SEED BOX		
11.	196-112D	RPBY 196-146D		
12.	802-034C	HHCS 1/2-13X1 1/4 GR5		
13.	802-079C	HHCS 3/8-16X1 1/4 GR5		
14.	802-138C	HHCS 5/16-18X2 1/4 GR5		
15.	802-203C	HFSS 1/2-13X1 1/2 GR5		
16.	802-387C	HFS 5/16-18X3/4 GR5		
17.	803-011C	NUT LOCK 5/16-18 PLT		
18.	803-014C	NUT HEX 3/8-16 PLT		
19.	803-020C	NUT HEX 1/2-13 PLT		
20.	803-169C	NUT HEX FLG. LOCK 1/2-13 PLT.		
21.	803-199C	NUT HEX FLANGE 5/16-18 PLT		
22.	804-009C	WASHER LOCK SPRING 5/16 PLT		
23.	804-011C	WASHER FLAT 3/8 USS PLT		
24.	804-013C	WASHER LOCK SPRING 3/8 PLT		
25.	804-015C	WASHER LOCK SPRING 1/2 PLT		
26.	816-241C	RUBBER HANDLE GRIP.207IDX3 1/2		
27.	802-004C	HHCS 1/4-20X3/4 GR5		
28.	817-042C	MINI END WHEEL PRESS WHEEL		
29.	803-293C	NUT HEX FLNG T-LOCK 1/4-20 YLW		
30.	817-516C	MANUAL PAK 1" W/ GASKET		
31.	248-251D	MANUAL PAK MOUNTING PLATE		
32.	838-482C	DECAL GP PLANTING COMPONENTS		
33.	195-242B	3S-4000 SEEDRATE BOOK		
34.	148-613D	BOX SUPPORT ANGLE		
35.	802-012C	HHCS 5/16-18X1 1/2 GR5		
36.	196-146D	3-HOSE CLAMP BRACKET		

Left Hand Sub-Frame

(Applies to 3S-4000, 3S-4000F only)



18817

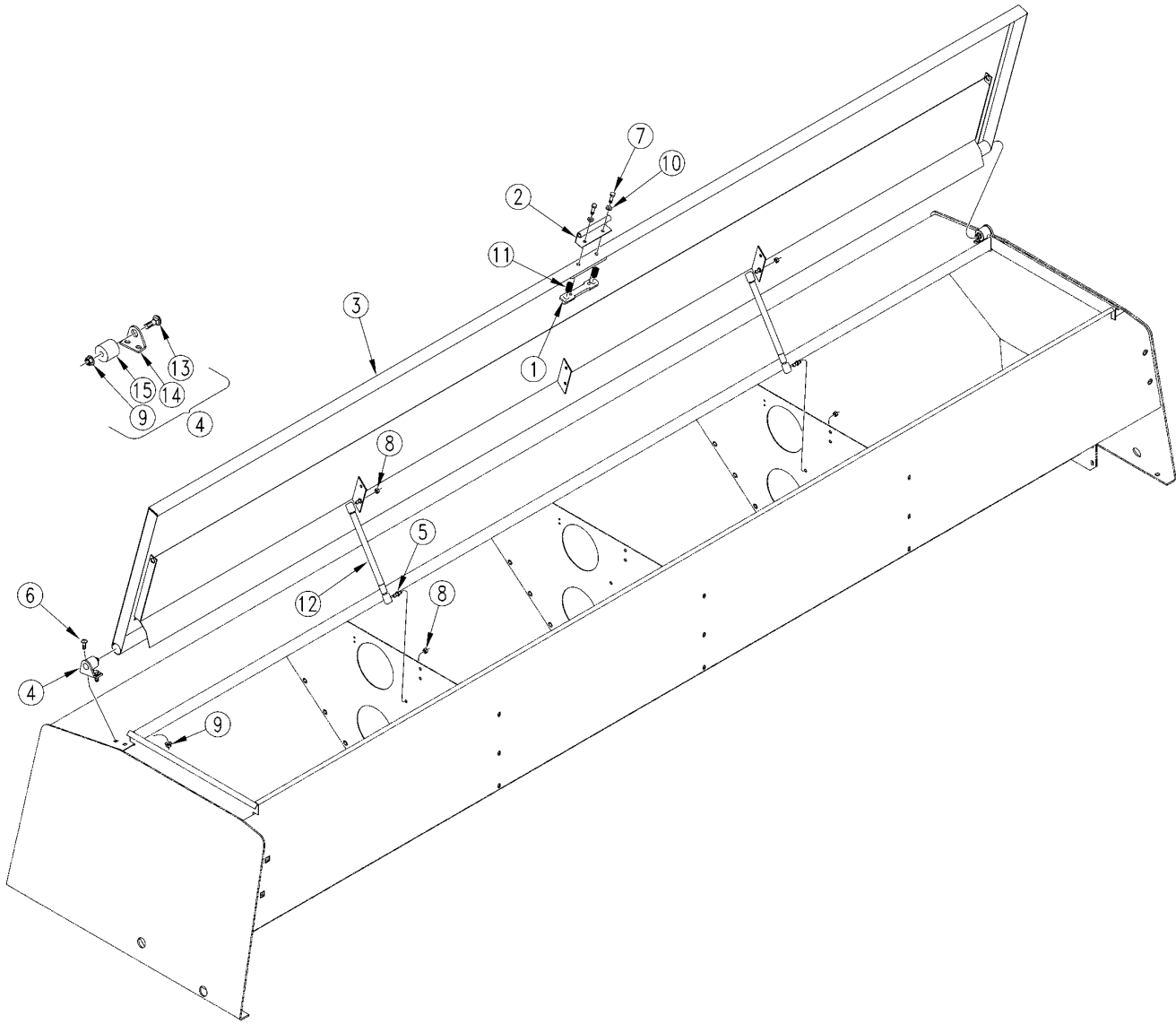
Left Hand Sub-Frame

(Applies to 3S-4000, 3S-4000F only)

Ref	Part No.	Part Description	Comments	Revision
	dwg18817	Image No.		
1.	120-247D	3 BOLT PIVOT CAST W/ BOLT HOLE		
2.	194-123K	3S BEARING ASSEMBLY	Contains 23-27	
3.	194-129H	6 1/8 EYE BOLT		
4.	194-155H	SUBFRAME FLEX ARM, OUTER		
5.	194-156H	SUBFRAME FLEX ARM, INNER		
6.	194-179H	3S-4000 OPENER SUBFRAME LH		
7.	194-516D	SUBFRAME FLEX ARM SPACER,SHORT		
8.	195-188H	SUBFRAME ARM RETAINER		
9.	800-001C	GREASE ZERK STRAIGHT 1/4-28		
10.	802-082C	HHCS 1/2-13X1 3/4 GR5		
11.	802-095C	HHCS 3/4-10X7 GR5		
12.	802-662C	HHCS 7/8-9X8 1/2 GR5		
13.	803-020C	NUT HEX 1/2-13 PLT		
14.	803-026C	NUT LOCK 3/4-10 PLT		
15.	803-028C	NUT NY-LOK 7/8-9 PLT		
16.	803-031C	NUT HEX 1-8 PLT		
17.	804-015C	WASHER LOCK SPRING 1/2 PLT		
18.	804-025C	WASHER FLAT 3/4 SAE PLT		
19.	804-027C	WASHER LOCK SPRING 1 PLT		
20.	805-104C	PIN COTTER 3/16 X 1 1/2 PLT		
21.	805-236C	PIN CLEVIS 1 X 3 7/8 USBLE PLT		
22.	810-299C	CYL 2X8X1.12 ROD (TIE ROD)		
23.	800-058C	GREASE ZERK 1/4-28 X 45-DEG		
24.	804-025C	WASHER FLAT 3/4 SAE PLT		
25.	804-023C	WASHER LOCK SPRING 3/4 PLT		
26.	803-027C	NUT HEX 3/4-10 PLT		
27.	802-068C	HHCS 3/4-10X4 GR5		

Lid To Box

(Applies to 3S-4000, 3S-4000F only)



18808

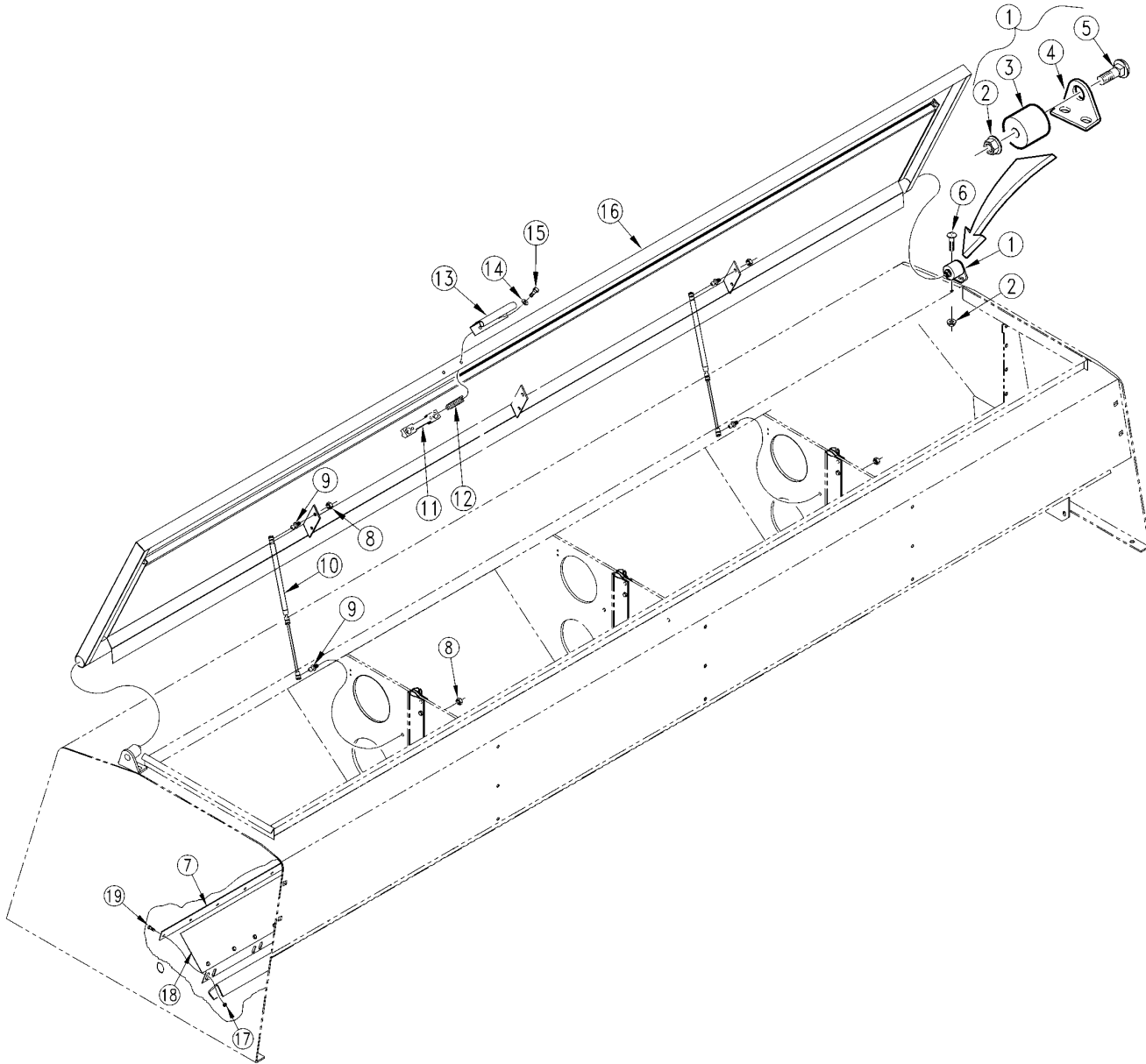
Lid To Box

(Applies to 3S-4000, 3S-4000F only)

Ref	Part No.	Part Description	Comments	Revision
	dwg18808	Image No.		
1.	119-153D	LATCH CASTING MACHINED		
2.	119-154D	LID HANDLE		
3.	175-146H	13' EW SEED BOX LID		
4.	175-180S	13' EW LID HINGE ASSEMBLY		
5.	800-121C	BALL STUD 10MM X 5/16-18 X 1/2	Contains 9,14-16.	
6.	802-015C	RHSNB 3/8-16X1 GR5		
7.	802-425C	HHCS 5/16-18X1 1/4 NYL		
8.	803-011C	NUT LOCK 5/16-18 PLT		
9.	803-209C	NUT FLANGE LOCK 3/8-16 PLT		
10.	804-036C	WASHER FLAT 5/16 SAE PLT		
11.	807-106C	SPRING .540 O.D.X 1 1/4 X.054W		
12.	890-221C	12-20 X 90 LB GAS SPRING		
13.	802-411C	RHSNB 3/8-16X2 GR5		
14.	313-176D	LID HINGE BASE PLATE		
15.	313-186D	LID HINGE PIVOT		

Lid To Fertilizer Box

(Applies to 3S-4000, 3S-4000F only)



19312

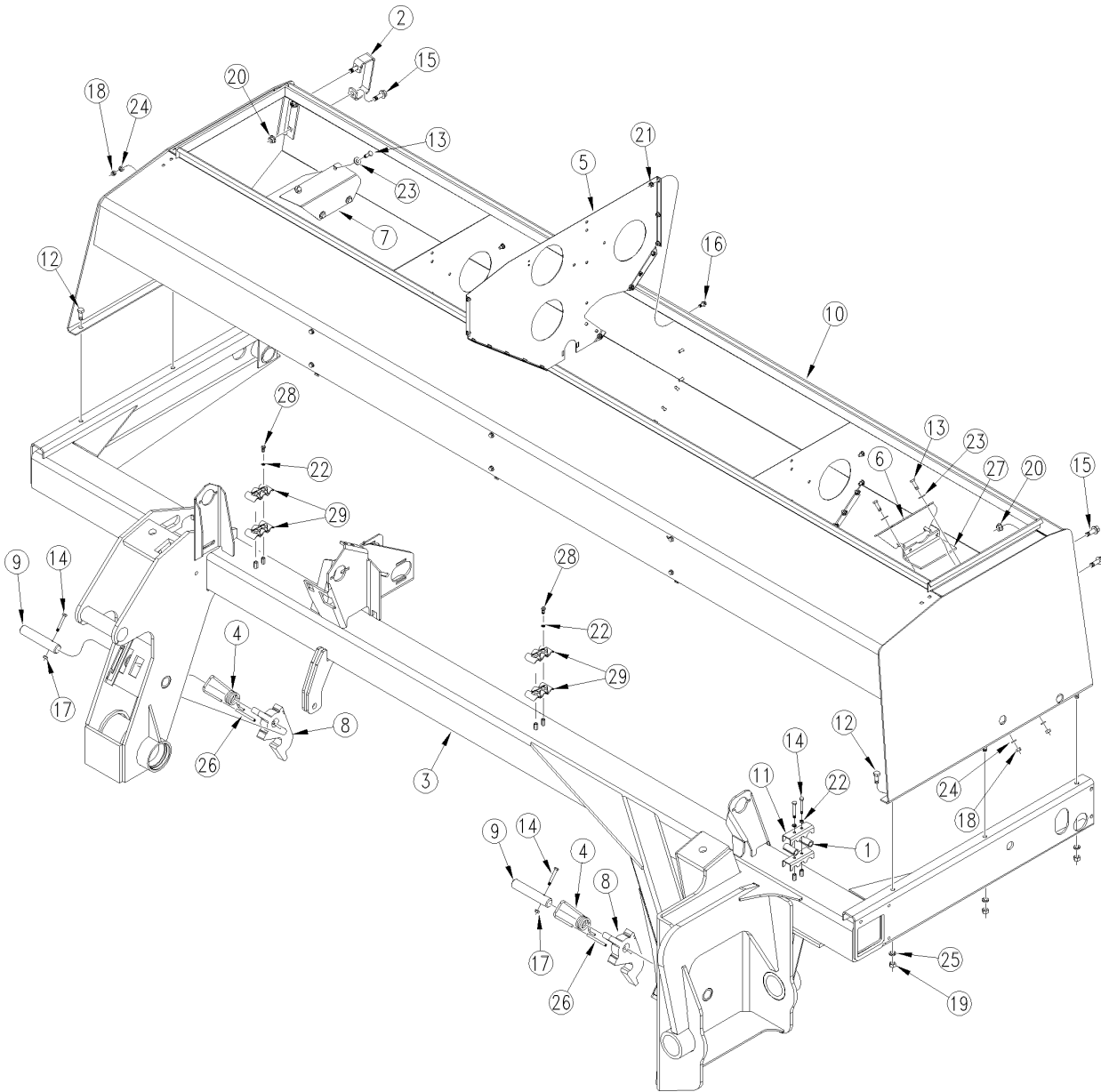
Lid To Fertilizer Box

(Applies to 3S-4000, 3S-4000F only)

Ref	Part No.	Part Description	Comments	Revision
	dwg19312	Image No.		
1.	175-180S	13' EW LID HINGE ASSEMBLY		
2.	803-209C	NUT FLANGE LOCK 3/8-16 PLT		
3.	313-186D	LID HINGE PIVOT		
4.	313-176D	LID HINGE BASE PLATE		
5.	802-411C	RHSNB 3/8-16X2 GR5		
6.	802-015C	RHSNB 3/8-16X1 GR5		
7.	195-198D	HINGE CLAMP STRIP ENDS		
7.	195-197D	HINGE CLAMP STRIP CTR		
8.	803-011C	NUT LOCK 5/16-18 PLT		
9.	800-121C	BALL STUD 10MM X 5/16-18 X 1/2		
10.	890-308C	9 1/4-15 X 70LB GAS SPRING		
11.	119-153D	LATCH CASTING MACHINED		
12.	807-106C	SPRING .540 O.D.X 1 1/4 X.054W		
13.	119-154D	LID HANDLE		
14.	804-036C	WASHER FLAT 5/16 SAE PLT		
15.	802-425C	HHCS 5/16-18X1 1/4 NYL		
16.	175-146H	13' EW SEED BOX LID		
17.	803-088C	NUT HEX LOCK 1/4-20 FLG		
18.	195-177S	SEED/FERT FLAP SUBASSY		
19.	802-375C	HFSS 1/4-20X1 GR5		

Right Hand Box And Frame

(Applies to 3S-4000, 3S-4000F only)



18805

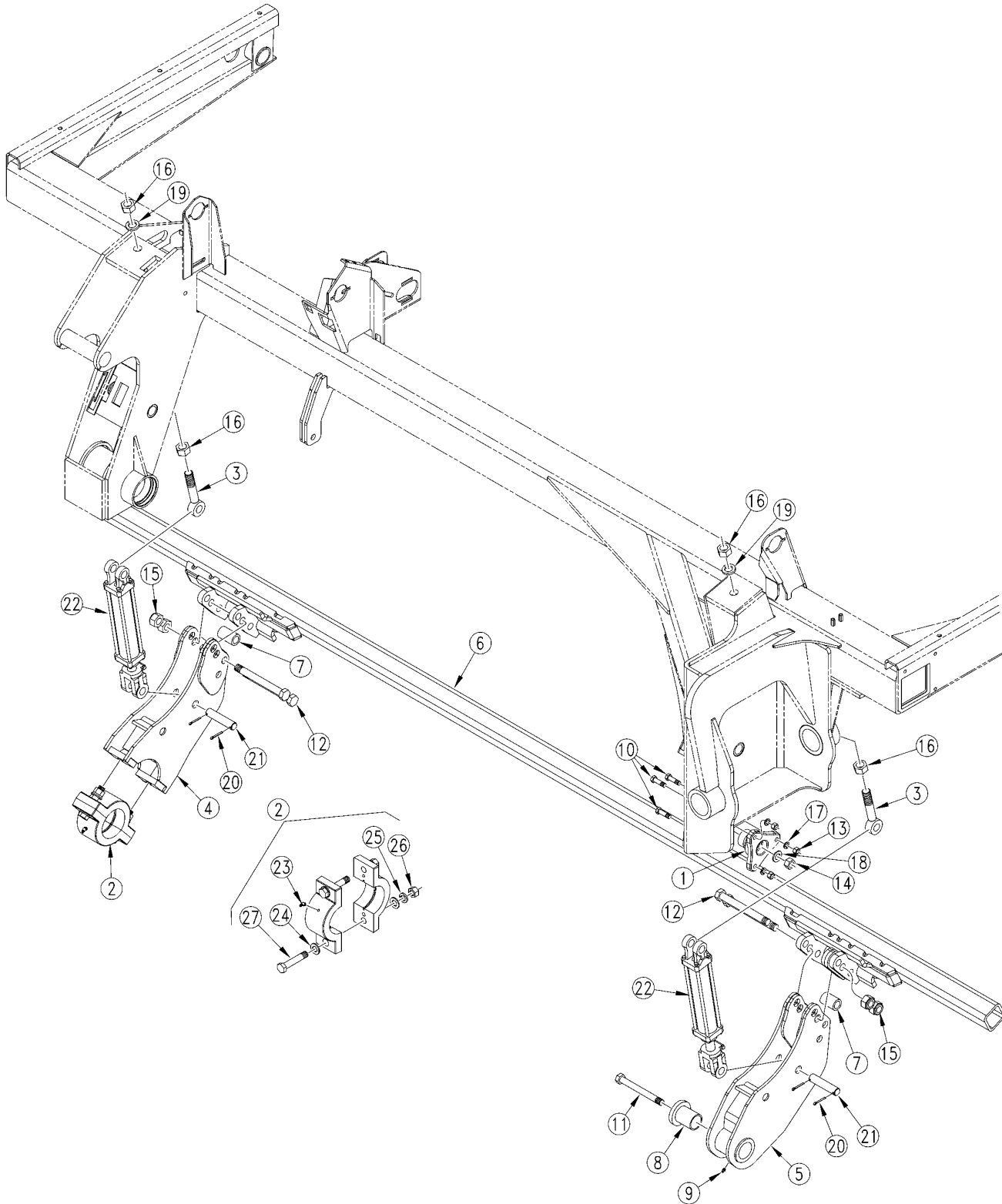
Right Hand Box And Frame

(Applies to 3S-4000, 3S-4000F only)

Ref	Part No.	Part Description	Comments	Revision
	dwg18805	Image No.		
1.	113-370D	1/4 MARKER HYD HOSE GUARD		
2.	119-190D	HANDLE		
3.	194-183H	3S-4000 RH WING FRAME	Shown, (S/N YY2839+)	
3.	194-087H	3S-4000 RH WING FRAME	(S/N YY2838-)	
4.	194-274D	3S TORSION SPRING HANDLE RH		
5.	195-100D	3S BOX PARTITION		
6.	195-101D	INTERIOR ENDPANEL COVER LH		
7.	195-102D	INTERIOR ENDPANEL COVER RH		
8.	195-159D	SUBFRAME LOCK HOOK		
9.	195-160D	GAUGE WHEEL LOCK PIN		
10.	195-244H	3S-4000 SEED BOX		
11.	196-112D	RPBY 196-146D		
12.	802-034C	HHCS 1/2-13X1 1/4 GR5		
13.	802-079C	HHCS 3/8-16X1 1/4 GR5		
14.	802-138C	HHCS 5/16-18X2 1/4 GR5		
15.	802-203C	HFSS 1/2-13X1 1/2 GR5		
16.	802-387C	HFS 5/16-18X3/4 GR5		
17.	803-011C	NUT LOCK 5/16-18 PLT		
18.	803-014C	NUT HEX 3/8-16 PLT		
19.	803-020C	NUT HEX 1/2-13 PLT		
20.	803-169C	NUT HEX FLG. LOCK 1/2-13 PLT.		
21.	803-199C	NUT HEX FLANGE 5/16-18 PLT		
22.	804-009C	WASHER LOCK SPRING 5/16 PLT		
23.	804-011C	WASHER FLAT 3/8 USS PLT		
24.	804-013C	WASHER LOCK SPRING 3/8 PLT		
25.	804-015C	WASHER LOCK SPRING 1/2 PLT		
26.	816-241C	RUBBER HANDLE GRIP.207IDX3 1/2		
27.	148-613D	BOX SUPPORT ANGLE		
28.	802-012C	HHCS 5/16-18X1 1/2 GR5		
29.	196-146D	3-HOSE CLAMP BRACKET		

Right Hand Sub-Frame

(Applies to 3S-4000, 3S-4000F only)



18816

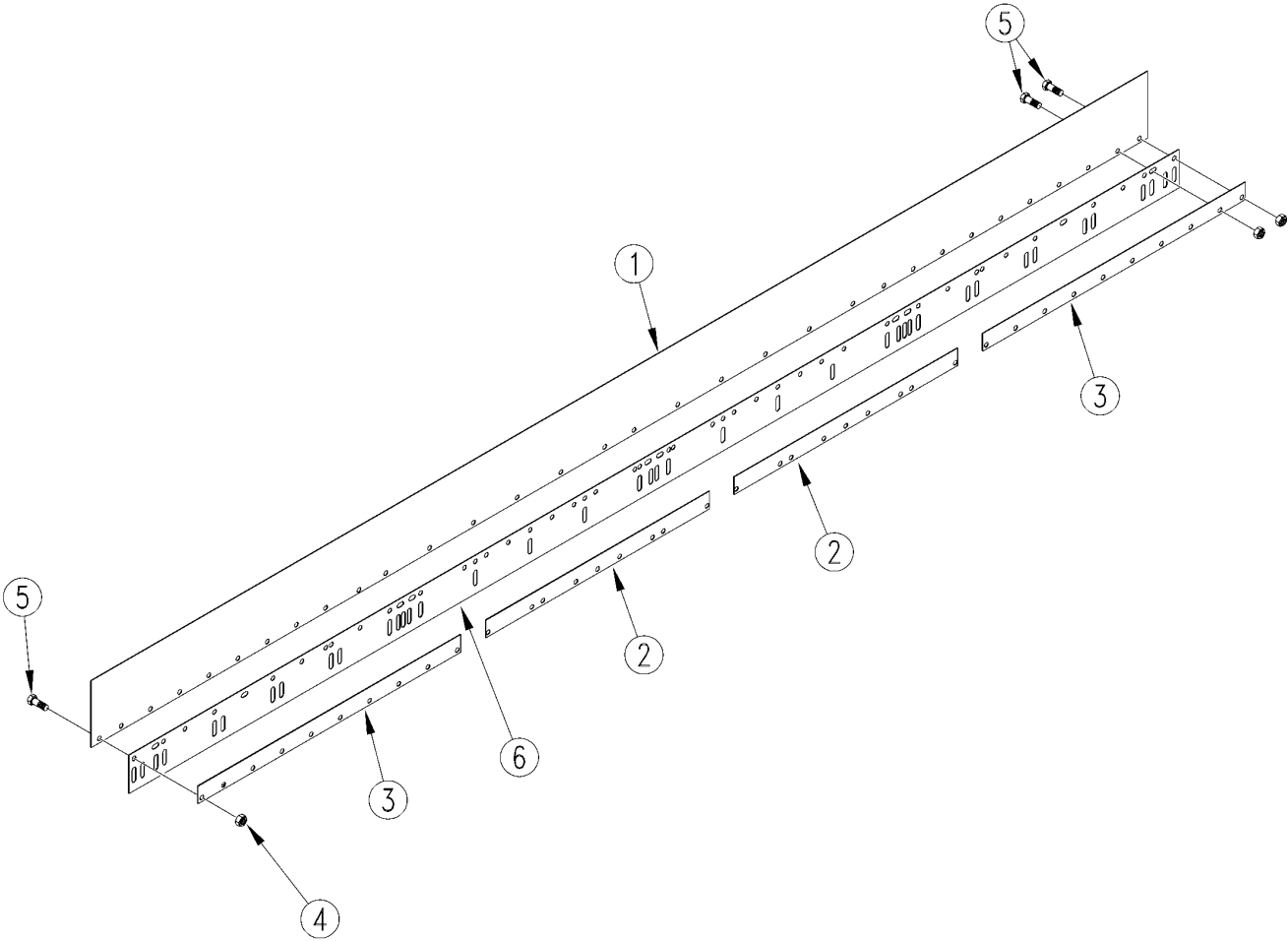
Right Hand Sub-Frame

(Applies to 3S-4000, 3S-4000F only)

Ref	Part No.	Part Description	Comments	Revision
	dwg18816	Image No.		
1.	120-247D	3 BOLT PIVOT CAST W/ BOLT HOLE		
2.	194-123K	3S BEARING ASSEMBLY	Contains 24,26-29.	
3.	194-129H	6 1/8 EYE BOLT		
4.	194-155H	SUBFRAME FLEX ARM, OUTER		
5.	194-156H	SUBFRAME FLEX ARM, INNER		
6.	194-180H	3S-4000 OPENER SUBFRAME RH		
7.	194-516D	SUBFRAME FLEX ARM SPACER,SHORT		
8.	195-188H	SUBFRAME ARM RETAINER		
9.	800-001C	GREASE ZERK STRAIGHT 1/4-28		
10.	802-082C	HHCS 1/2-13X1 3/4 GR5		
11.	802-095C	HHCS 3/4-10X7 GR5		
12.	802-662C	HHCS 7/8-9X8 1/2 GR5		
13.	803-020C	NUT HEX 1/2-13 PLT		
14.	803-026C	NUT LOCK 3/4-10 PLT		
15.	803-028C	NUT NY-LOK 7/8-9 PLT		
16.	803-031C	NUT HEX 1-8 PLT		
17.	804-015C	WASHER LOCK SPRING 1/2 PLT		
18.	804-025C	WASHER FLAT 3/4 SAE PLT		
19.	804-027C	WASHER LOCK SPRING 1 PLT		
20.	805-104C	PIN COTTER 3/16 X 1 1/2 PLT		
21.	805-236C	PIN CLEVIS 1 X 3 7/8 USBLE PLT		
22.	810-299C	CYL 2X8X1.12 ROD (TIE ROD)		
23.	800-058C	GREASE ZERK 1/4-28 X 45-DEG		
24.	804-025C	WASHER FLAT 3/4 SAE PLT		
25.	804-023C	WASHER LOCK SPRING 3/4 PLT		
26.	803-027C	NUT HEX 3/4-10 PLT		
27.	802-068C	HHCS 3/4-10X4 GR5		

Seed / Fertilizer Flap (175-191S)

(Applies to 3S-4000, 3S-4000F only)



16578

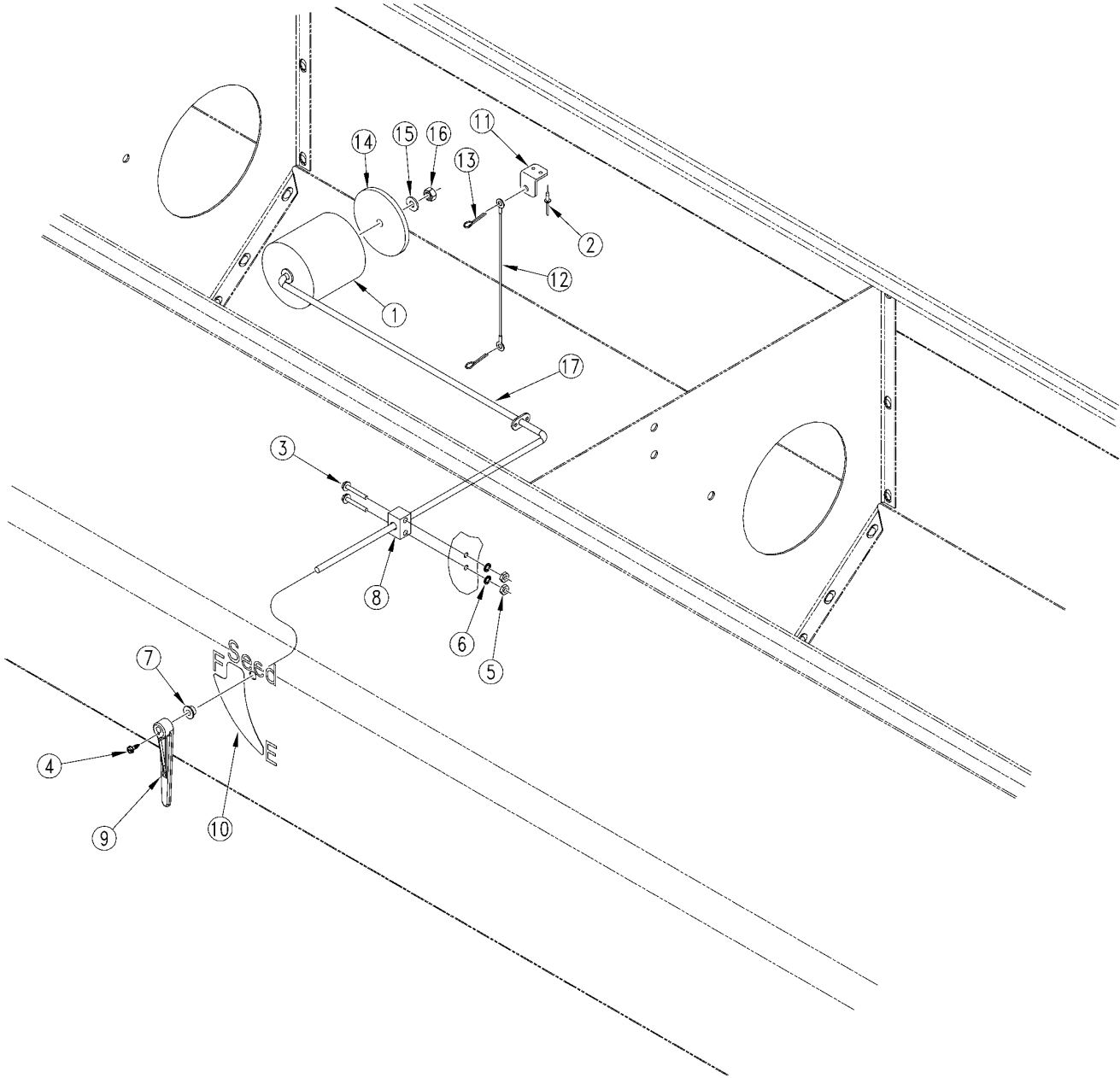
Seed / Fertilizer Flap (175-191S)

(Applies to 3S-4000, 3S-4000F only)

Ref	Part No.	Part Description	Comments	Revision
	dwg16578	Image No.		
1.	175-332D	1300 SEED/FERT SELECT FLAP		
2.	195-197D	HINGE CLAMP STRIP CTR		
3.	175-327D	1300 HINGE CLAMP STRIP END		
4.	803-007C	NUT-LOCK 1/4-20 PLT		
5.	802-078C	HHCS 1/4-20X5/8 GR5		
6.	816-291C	RUBBER BELTING HINGE 13 EW		

Seed Level Indicator

(Applies to 3S-4000, 3S-4000F only)



18807

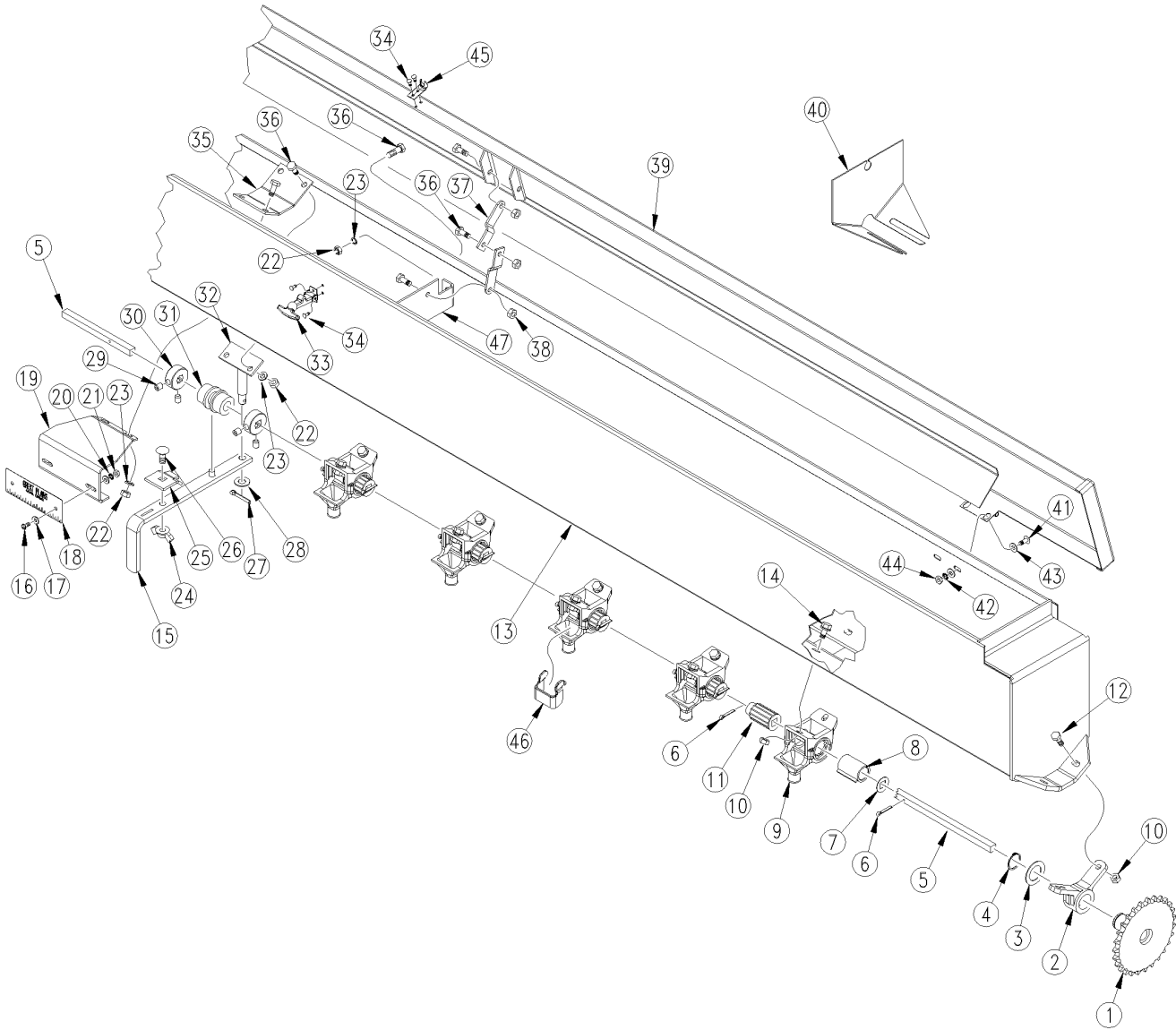
Seed Level Indicator

(Applies to 3S-4000, 3S-4000F only)

Ref	Part No.	Part Description	Comments	Revision
	dwg18807	Image No.		
1.	197-089D	FOAM FLOAT		
2.	800-101C	RIVET POP 1/8X.265LG FLG		
3.	801-096C	HFS 10-24 X 1 1/8 PLTD		
4.	801-154C	SCR HEX HD SHT MET #8 X 1/2		
5.	803-001C	NUT HEX 10-24 PLT		
6.	804-004C	WASHER INTERNAL STAR #10 PLT		
7.	817-086C	SEED LEVEL BUSHING		
8.	817-202C	SEED LEVEL ARM MOUNT		
9.	817-350C	SEED LEVEL INDICATOR		
10.	838-237C	DECAL SEED LEVEL LH		
11.	197-091D	SEED LEVEL CHAIN BRACKET		
12.	890-305C	CABLE 3/64 X 11 5/8 W/ EYELETS		
13.	805-067C	PIN COTTER 1/8 X 3/4		
14.	197-096D	FOAM FLOAT WASHER		
15.	804-075C	WASHER FLAT 1/4 USS PLT		
16.	803-003C	.00 HEX SS 1/4-20 NYLOCK		
17.	195-124H	3S SEED LEVEL ROD		

Small Seeds Box Components

(Applies to 3S-4000, 3S-4000F only)



27429

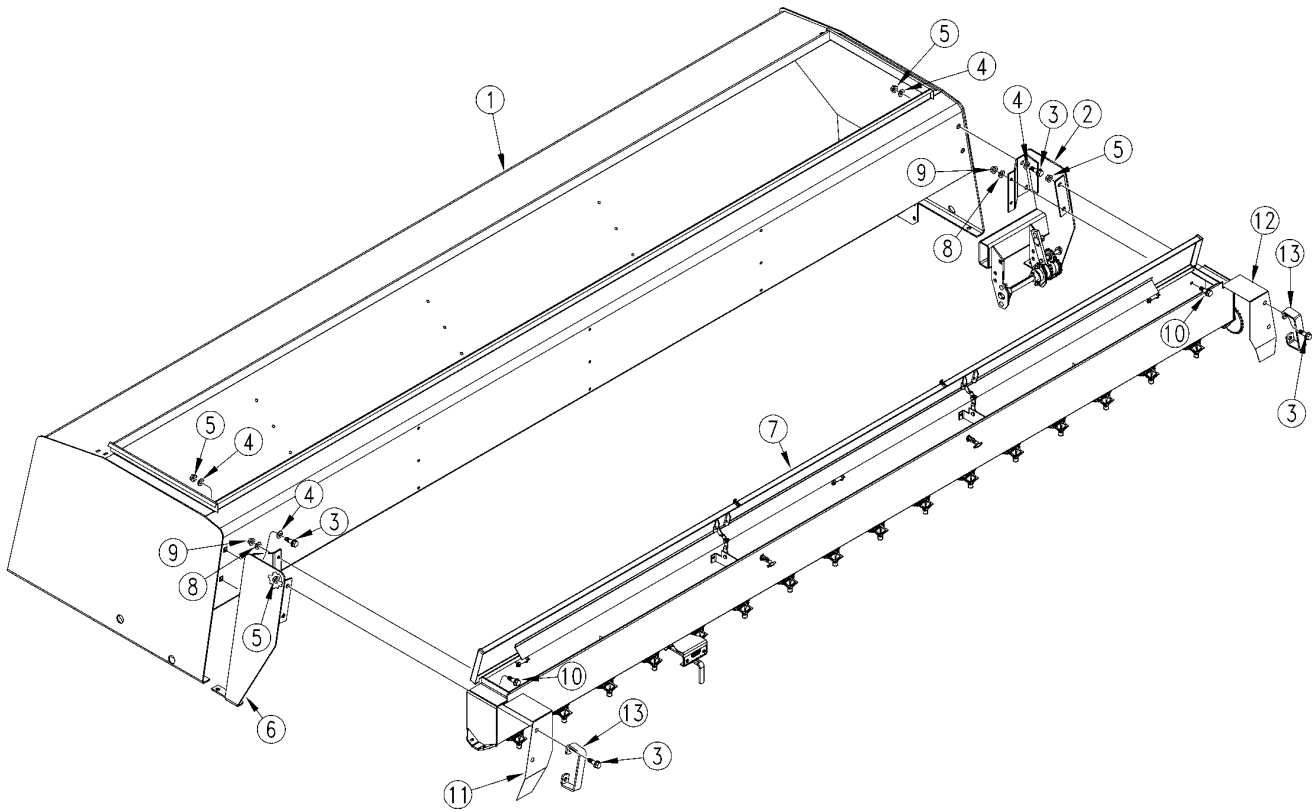
Small Seeds Box Components

(Applies to 3S-4000, 3S-4000F only)

Ref	Part No.	Part Description	Comments	Revision
	dwg27429	Image No.		
1.	123-834H	SML SDS DRIVE SPKT HUB 27T		
2.	817-026C	HANGER DRIVE SHAFT		
3.	804-044C	WASHER MACH 1.38 X .876 X .048		
4.	800-028C	SNAP RING .875		
5.	133-056D	2600 SML SDS CUP SHAFT 6 IN		
6.	805-076C	PIN ROLL 3/16 X 1 3/4 PLT.		
7.	804-042C	WASHER GRASS SEEDER CUP SHAFT		
8.	817-009C	GRASS SEEDER SLEEVE		
9.	817-504C	SML SEED FEEDER CUP ASSY		
10.	803-006C	NUT HEX 1/4-20 PLT		
11.	817-010C	GRASS SEEDER SPROCKET		
12.	802-004C	HHCS 1/4-20X3/4 GR5		
13.	133-061H	1300 SML SDS BOX 6 IN		
13.	133-062H	1300 SML SDS BOX 7.5 IN		
13.	133-063H	1300 SML SDS BOX 10 IN		
14.	802-148C	HFSS 1/4-20X1/2 GR5		
15.	123-476H	REAR SEED RATE ADJ HANDLE WLD		
16.	801-001C	SCREW RD HD 8-32 X 3/8 BRASS		
17.	804-003C	WASHER FLAT #8 BRASS		
18.	819-041C	SEED ADJUSTMENT GUIDE		
19.	123-410D	GAUGE MOUNTING BRACKET		
20.	804-002C	WASHER INTERNAL STAR #8 BRASS		
21.	803-035C	NUT HEX 8-32 BRASS		
22.	803-006C	NUT HEX 1/4-20 PLT		
23.	804-006C	WASHER LOCK SPRING 1/4 PLT		
24.	803-058C	NUT WING 5/16-18		
25.	123-113D	LOCK TAB		
26.	802-092C	RHSNB 5/16-18X3/4 GR5		
27.	805-019C	PIN COTTER 5/32 X 1 PLT		
28.	804-012C	WASHER FLAT 3/8 SAE PLT		
29.	801-035C	SCREW SET 5/16-18 SKT KP X 3/8		
30.	890-349C	3/8 SHAFT LOCKING COLLAR		
31.	123-116D	SEED ADJUSTMENT SPOOL		
32.	123-050H	ADJUSTMENT HANDLE PIVOT		
33.	816-112C	RUBBER LATCH 37-11-065-10		
34.	800-101C	RIVET POP 1/8 .125 AD42BSLF		
35.	123-118D	SEED ADJUSTMENT SUPPORT		
36.	802-078C	HHCS 1/4-20X5/8 GR5		
37.	123-356D	10' EWNT SGS LID LATCH		
38.	803-007C	NUT LOCK 1/4-20 PLT		
39.	133-064H	1300 SML SDS LID		
40.	123-409D	RMVBL SMALL SEED BOX PARTITION		
41.	801-003C	SCREW RD HD SLT 10-24X1/2 PLT		
42.	804-004C	WASHER INTERNAL STAR #10 PLT		
43.	804-046C	WASHER FLAT #10 SAE PLT		
44.	803-001C	NUT HEX 10-24 PLT		
45.	816-113C	LATCH KEEPER 37-15-061-17		
46.	817-806C	SMALL SEEDS CUP WIND SHIELD		
47.	133-147D	SGS UPPER BOX PARTITION		

Small Seeds Box Mounting

(Applies to 3S-4000, 3S-4000F only)



27425

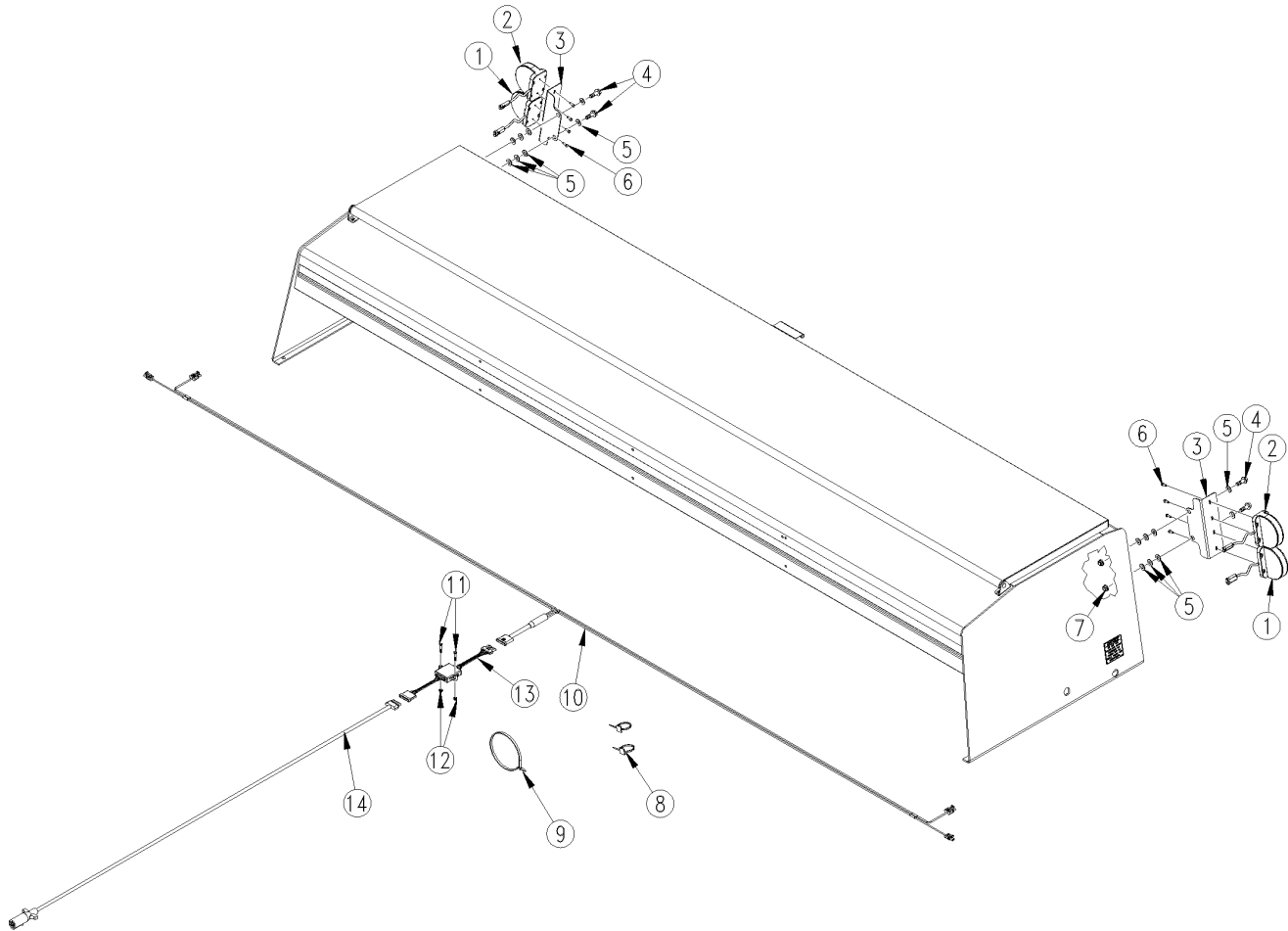
Small Seeds Box Mounting

(Applies to 3S-4000, 3S-4000F only)

Ref	Part No.	Part Description	Comments	Revision
	dwg27425	Image No.		
1.	195-244H	3S-4000 SEED BOX		
2.	133-381K	5000 SMLSDS RH MOUNT&DRIVE ASY		
3.	802-203C	HFSS 1/2-13X1 1/2 GR5		
4.	804-016C	WASHER FLAT 1/2 SAE PLT		
5.	803-169C	NUT HEX FLG. LOCK 1/2-13 PLT.		
6.	133-380H	SML SDS LH MOUNT WLDM		
7.	133-153K	2600 SML SDS RH BOX ASY 6 IN		
7.	133-155K	2600 SML SDS RH BOX ASY 7.5 IN		
7.	133-157K	2600 SML SDS RH BOX ASY 10 IN		
8.	804-013C	WASHER LOCK SPRING 3/8 PLT		
9.	803-014C	NUT HEX 3/8-16 PLT		
10.	802-388C	HFS 3/8-16X1 GR5		
11.	123-491D	HANDLE MOUNT LH CHAIN GUARD		
12.	123-492D	HANDLE MOUNT RH CHAIN GUARD		
13.	119-190D	HANDLE		

LED Lights (S/N YY2719+)

(Applies to 3S-4000, 3S-4000F only)



38296

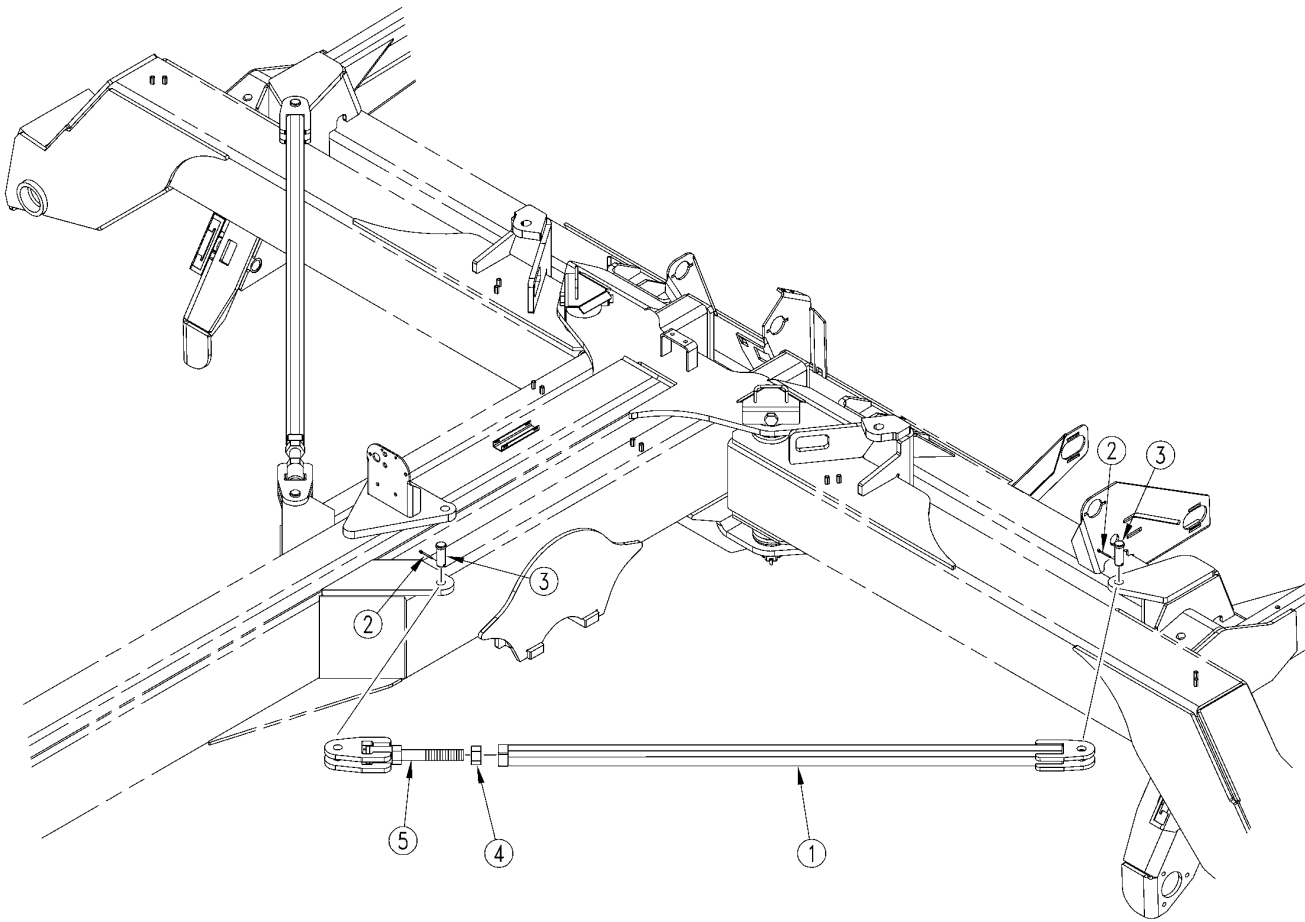
LED Lights (S/N YY2719+)

(Applies to 3S-4000, 3S-4000F only)

Ref	Part No.	Part Description	Comments	Revision
	dwg38296	Image No.		
1.	833-697C	LIGHT, AMBER LAMP LED		
2.	833-696C	LIGHT, RED LAMP - LED		
3.	150-138D	12' EWNT LIGHT BRACKET		
4.	802-203C	HFSS 1/2-13X1 1/2 GR5		
5.	804-016C	WASHER FLAT 1/2 SAE PLT		
6.	801-081C	SCREW HEX SELF TAP 1/4-20X3/4		
7.	803-169C	NUT HEX FLG LOCK 1/2-13 PLT		
8.	800-112C	CABLE TIE .19X7.25 1.75D 50LB		
9.	800-082C	CABLE TIE .31X21.5 6DIA 120LB		
10.	833-683C	LIGHT HRNSS, 10' WISHBONE -LED		
11.	802-167C	HHCS 1/4-20X1 1/2 GR5		
12.	803-230C	NUT HEX FLANGE 1/4-20 PLT		
13.	833-694C	LIGHT HRNSS ENHANCE MODULE LED		
14.	833-686C	LIGHT HARNESS, 35' LEAD - LED		

Truss Tubes

(Applies to 3S-4000, 3S-4000F only)



18811

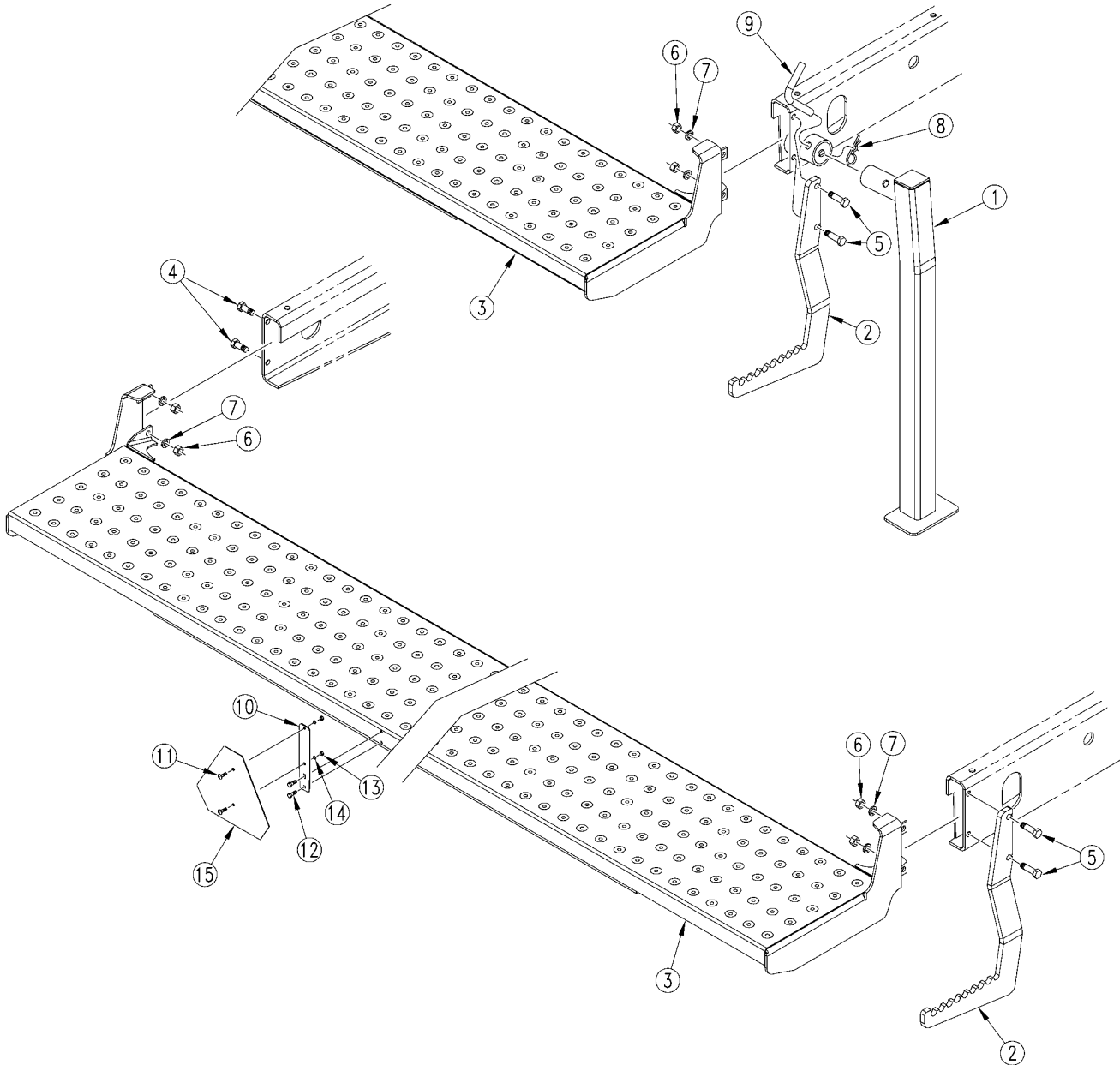
Truss Tubes

(Applies to 3S-4000, 3S-4000F only)

Ref	Part No.	Part Description	Comments	Revision
	dwg18811	Image No.		
1.	194-192H	3S-4000 TRUSS TUBE WELDMENT		
2.	805-104C	PIN COTTER 3/16 X 1 1/2 PLT		
3.	805-187C	PIN CLEVIS 1 X 2 1/4 GR5 PLT		
4.	803-034C	NUT HEX 1 1/4-7 PLT		
5.	194-191H	3S-4000 TRUSS ADJ TRUNNION		

Walkboards And Steps (YY1722-)

(Applies to 3S-4000, 3S-4000F only)



18810

Walkboards And Steps (YY1722-)

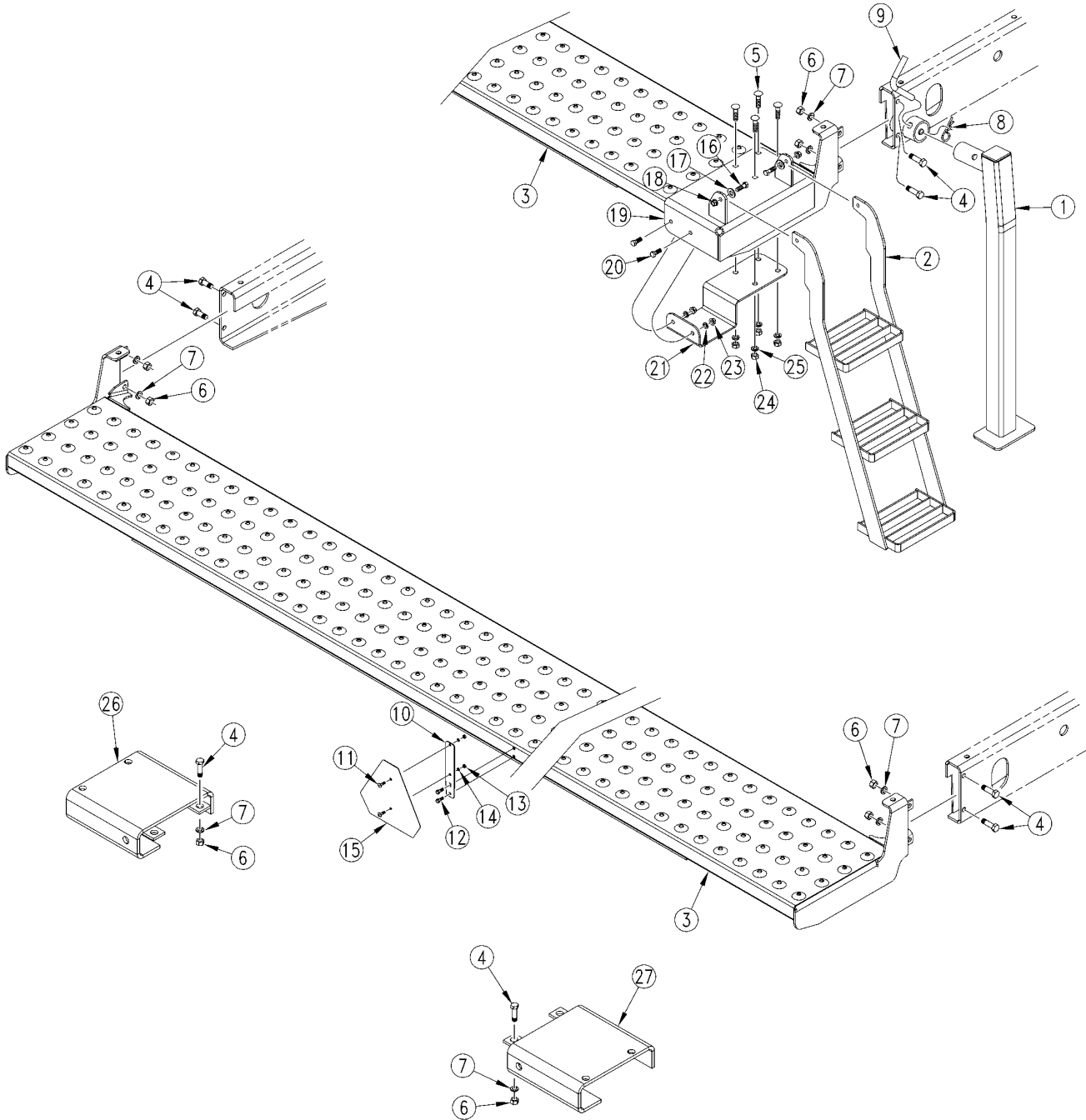
(Applies to 3S-4000, 3S-4000F only)

Ref	Part No.	Part Description	Comments	Revision
	dwg18810	Image No.		
1.	194-135H	PARKING STAND LEG		
2.	195-122D	STEP RH		
2.	195-121D	STEP LH		
3.	195-193H	2S-2600 WALKBOARD		
4.	802-034C	HHCS 1/2-13X1 1/4 GR5		
5.	802-082C	HHCS 1/2-13X1 3/4 GR5		
6.	803-020C	NUT HEX 1/2-13 PLT		
7.	804-015C	WASHER LOCK SPRING 1/2 PLT		
8.	805-032C	PIN HAIR COTTER .148 WIRE		
9.	805-197C	PIN BENT SHANK LOCK 5/8 OD		
10.	133-070D	3000 SMV MOUNTING BLADE		
11.	801-018C	SCREW RD HD 1/4-20 X 5/8		
12.	801-076C	SCR SELF TAPPING 3/8X1		
13.	803-006C	NUT HEX 1/4-20 PLT		
14.	804-006C	WASHER LOCK SPRING 1/4 PLT		
15.	818-055C	DECAL SLOW MOVING-GALV. BACKED		

[Table of Contents](#) [Part Number Index](#)

Walkboards And Steps (YY1723+)

(Applies to 3S-4000, 3S-4000F only)



31229

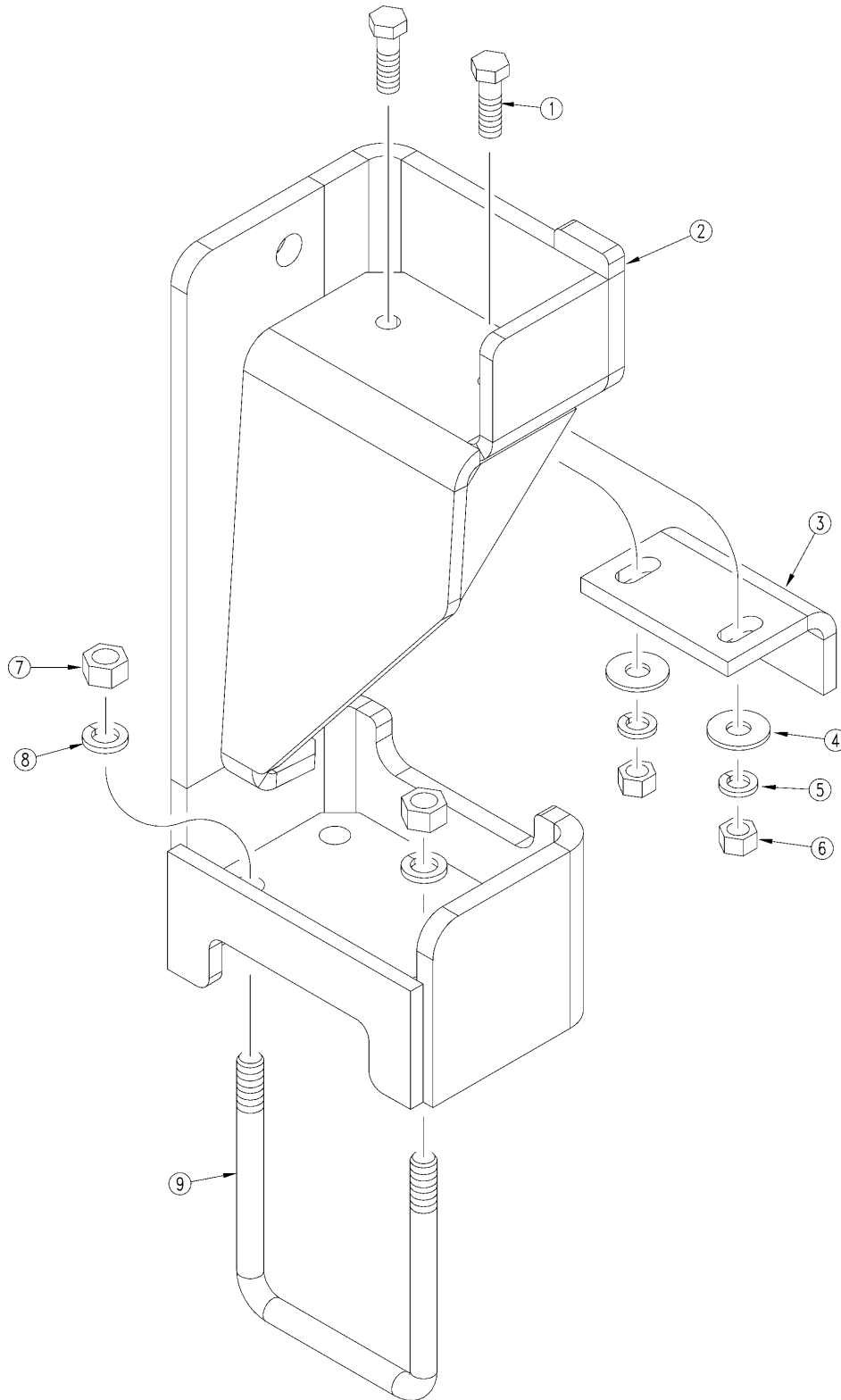
Walkboards And Steps (YY1723+)

(Applies to 3S-4000, 3S-4000F only)

Ref	Part No.	Part Description	Comments	Revision
	dwg31229	Image No.		
1.	194-135H	PARKING STAND LEG		
2.	195-062H	LADDER WELDMENT 3-STEP NARROW		
3.	195-193H	2S-2600 WALKBOARD		
4.	802-034C	HHCS 1/2-13X1 1/4 GR5		
5.	802-030C	RHSNB 7/16-14X1 3/4 GR5		
6.	803-020C	NUT HEX 1/2-13 PLT		
7.	804-015C	WASHER LOCK SPRING 1/2 PLT		
8.	805-032C	PIN HAIR COTTER .148 WIRE		
9.	805-197C	PIN BENT SHANK LOCK 5/8 OD		
10.	133-070D	3000 SMV MOUNTING BLADE		
11.	801-018C	SCREW RD HD 1/4-20 X 5/8		
12.	801-076C	SCR SELF TAPPING 3/8X1		
13.	803-006C	NUT HEX 1/4-20 PLT		
14.	804-006C	WASHER LOCK SPRING 1/4 PLT		
15.	818-055C	DECAL SLOW MOVING-GALV. BACKED		
16.	802-079C	HHCS 3/8-16X1 1/4 GR5		
17.	804-016C	WASHER FLAT 1/2 SAE PLT		
18.	803-209C	NUT FLANGE LOCK 3/8-16 PLT		
19.	195-064H	LADDER MOUNT TOP WELDMENT RH	Shown	
19.	195-063H	LADDER MOUNT TOP WELDMENT LH		
20.	802-017C	HHCS 3/8-16X1 GR5		
21.	195-340D	LADDER MOUNT BOTTOM PLATE		
22.	804-013C	WASHER LOCK SPRING 3/8 PLT		
23.	803-068C	NUT HEX FLANGE 3/8-16 PLT		
24.	803-015C	NUT HEX 7/16-14 PLT		
25.	804-014C	WASHER LOCK 7/16 PLT		
26.	195-310H	WALKBOARD EXTENSION LH	LH Used with Small Seeds Only	
27.	195-311H	WALKBOARD EXTENSION RH	RH Used with Small Seeds Only	

Weight Bracket (S/N YY1458-)

(Applies to 3S-4000, 3S-4000F only)



24414

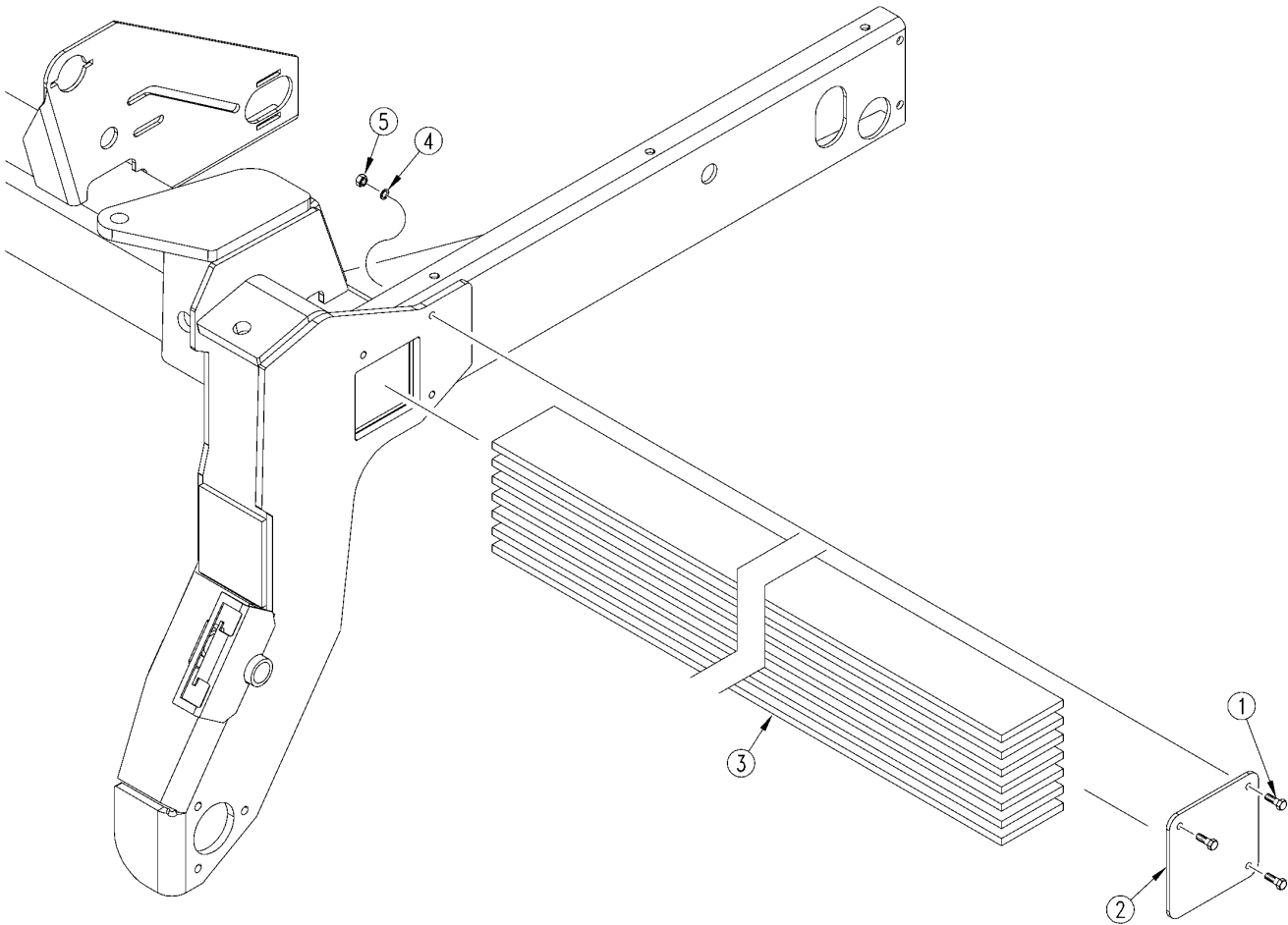
Weight Bracket (S/N YY1458-)

(Applies to 3S-4000, 3S-4000F only)

Ref	Part No.	Part Description	Comments	Revision
	dwg24414	Image No.		
1.	802-055C	HHCS 5/8-11X2 GR5		
2.	171-101H	WEIGHT BRACKET WELDMENT-LH		
2.	171-102H	WEIGHT BRACKET WELDMENT-RH		
3.	171-043D	WEIGHT BRACKET ADJ LEG		
4.	804-019C	WASHER FLAT 5/8 USS PLT		
5.	804-022C	WASHER LOCK SPRING 5/8 PLT		
6.	803-021C	NUT HEX 5/8-11 PLT		
7.	803-027C	NUT HEX 3/4-10 PLT		
8.	804-023C	WASHER LOCK SPRING 3/4 PLT		
9.	806-093C	U-BOLT 3/4-10 6 1/32 X 7 3/4		

Weight Bracket (S/N YY1459+)

(Applies to 3S-4000, 3S-4000F only)



26014

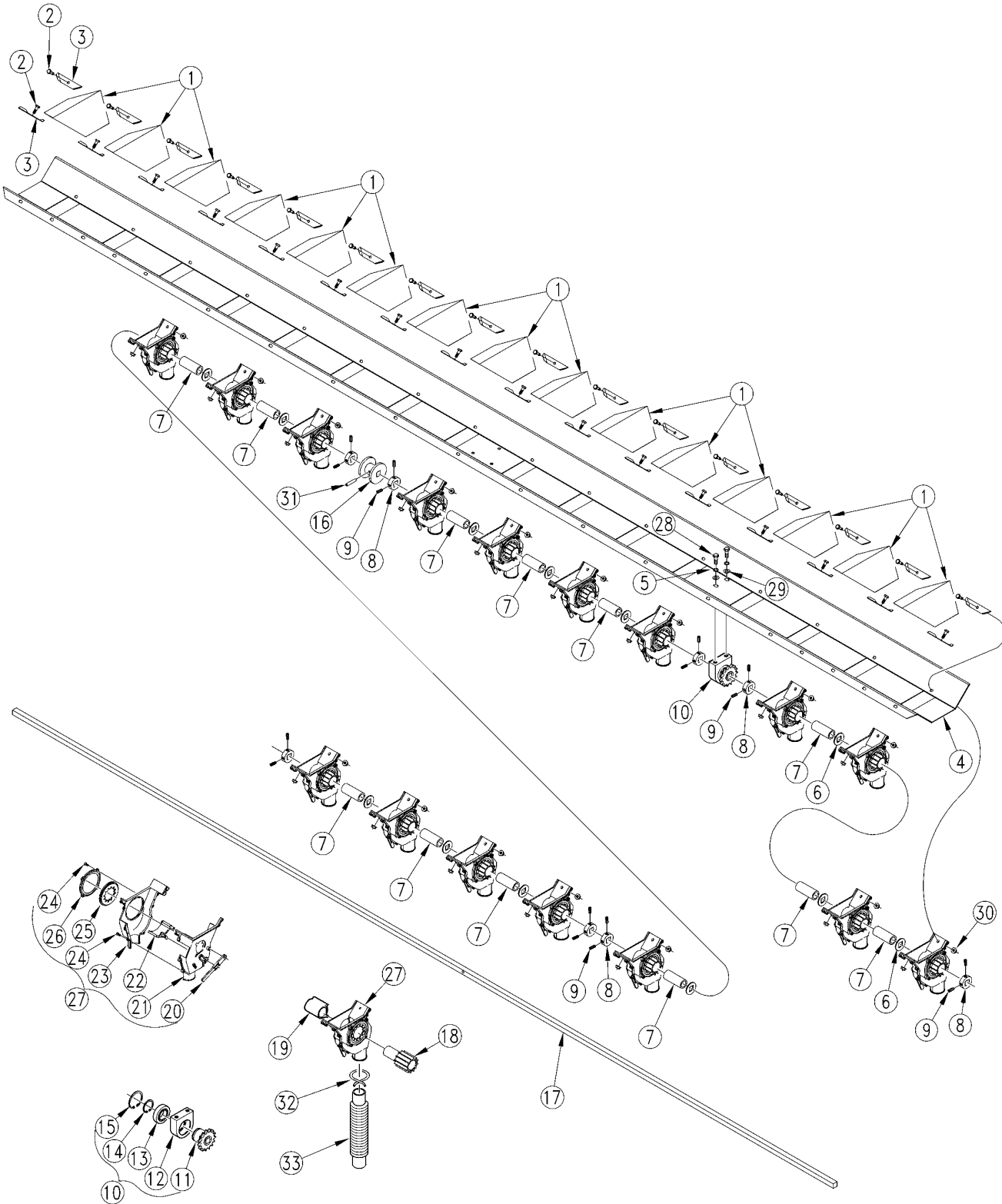
Weight Bracket (S/N YY1459+)

(Applies to 3S-4000, 3S-4000F only)

Ref	Part No.	Part Description	Comments	Revision
	dwg26014	Image No.		
1.	802-022C	HHCS 3/8-16X1 1/2 GR5		
2.	194-058D	END CAP - TUBE		
3.	194-059D	WEIGHT BAR 1/2 X 5 X 154		
4.	804-013C	WASHER LOCK SPRING 3/8 PLT		
5.	803-014C	NUT HEX 3/8-16 PLT		

10" Feeder Cup Spacing LH & Center

(Applies to 3S-4000, 3S-4000F only)



17246

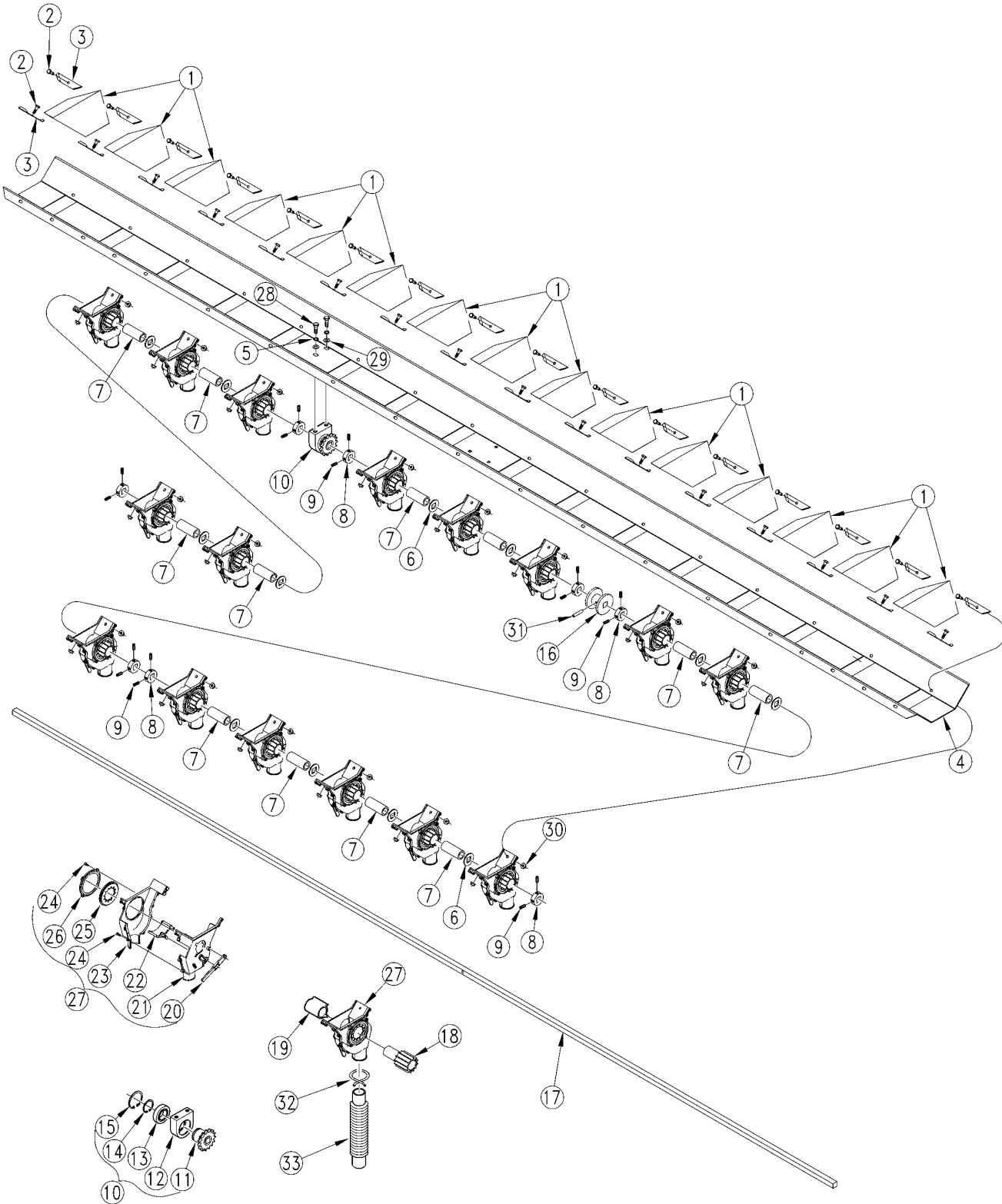
10" Feeder Cup Spacing LH & Center

(Applies to 3S-4000, 3S-4000F only)

Ref	Part No.	Part Description	Comments	Revision
	dwg17246	Image No.		
1.	118-338D	7 1/4 BOX DVDR FOR 7 1/2 ROW		
2.	802-004C	HHCS 1/4-20X3/4 GR5		
3.	118-341D	2SNT SEED BOX DIVIDER CLIP		
4.	195-246D	2600-10 16RW FEEDER CUP TRAYLH		
5.	804-012C	WASHER FLAT 3/8 SAE PLT		
6.	804-031C	WASHER RETAINING		
7.	175-280D	13' EW SPACER TUBE X 5.704		
8.	890-350C	5/8 SHAFT LOCKING COLLAR		
9.	801-035C	SCREW SET 5/16-18 SKT KP X 3/8		
10.	118-226S	FEEDER CUP BEARING ASSEMBLY		
11.	118-508D	BEARING HUB 40A15		
12.	118-336D	FEEDER CUP BEARING HOUSING		
13.	822-103C	BRG 30IDX55OD MM		
14.	800-004C	SNAP RING EXT BASIC 1 3/16		
15.	800-107C	SNAP RING INTERNAL 2.165		
16.	109-091D	MACHINED ADJUSTMENT SPOOL		
17.	175-233D	13' EW FD CUP SQ DRIVE BAR		
18.	890-190C	PM SEED CUP SPROCKET		
19.	817-074C	SEED CUP SLEEVE		
20.	817-071C	SEED CUP ADJUSTMENT HANDLE		
21.	817-069C	SEED CUP RIGHT HALF		
22.	817-070C	SEED CUP DOOR		
23.	817-068C	SEED CUP LEFT HALF		
24.	801-057C	SCR SELF TAP 8X3/8 TYPE25 BT		
25.	817-004C	NYLON WASHER-SPLIT		
26.	817-073C	SEED CUP WASHER RETAINER		
27.	817-075C	SEED CUP ASSEMBLY		
28.	802-014C	HHCS 3/8-16X3/4 GR5		
29.	804-013C	WASHER LOCK SPRING 3/8 PLT		
30.	803-194C	NUT HEX WHIZ 1/4-20 PLT		
31.	805-023C	PIN ROLL 3/16X1 1/4 PLT		
32.	800-009C	CLAMP HOSE 1 5/8 NO. 26		
33.	816-239C	SEED HOSE 56 RIBS X 11 LONG		

10" Feeder Cup Spacing RH

(Applies to 3S-4000, 3S-4000F only)



17247

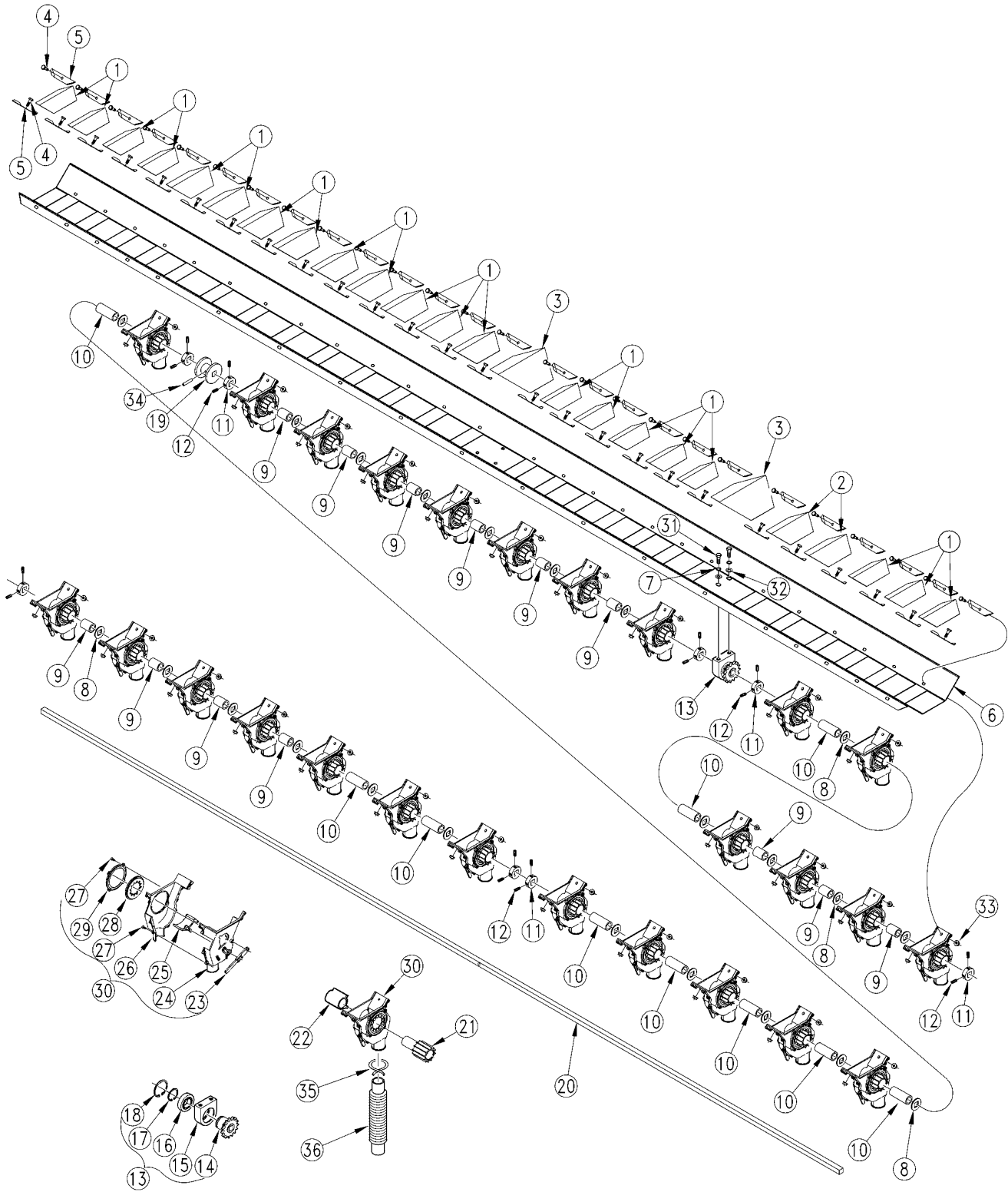
10" Feeder Cup Spacing RH

(Applies to 3S-4000, 3S-4000F only)

Ref	Part No.	Part Description	Comments	Revision
	dwg17247	Image No.		
1.	118-338D	7 1/4 BOX DVDR FOR 7 1/2 ROW		
2.	802-004C	HHCS 1/4-20X3/4 GR5		
3.	118-341D	2SNT SEED BOX DIVIDER CLIP		
4.	195-238D	2600-10 16RW FEEDER CUP TRAYRH		
5.	804-012C	WASHER FLAT 3/8 SAE PLT		
6.	804-031C	WASHER RETAINING		
7.	175-280D	13' EW SPACER TUBE X 5.704		
8.	890-350C	5/8 SHAFT LOCKING COLLAR		
9.	801-035C	SCREW SET 5/16-18 SKT KP X 3/8		
10.	118-226S	FEEDER CUP BEARING ASSEMBLY		
11.	118-508D	BEARING HUB 40A15		
12.	118-336D	FEEDER CUP BEARING HOUSING		
13.	822-103C	BRG 30IDX55OD MM		
14.	800-004C	SNAP RING EXT BASIC 1 3/16		
15.	800-107C	SNAP RING INTERNAL 2.165		
16.	109-091D	MACHINED ADJUSTMENT SPOOL		
17.	175-233D	13' EW FD CUP SQ DRIVE BAR		
18.	890-190C	PM SEED CUP SPROCKET		
19.	817-074C	SEED CUP SLEEVE		
20.	817-071C	SEED CUP ADJUSTMENT HANDLE		
21.	817-069C	SEED CUP RIGHT HALF		
22.	817-070C	SEED CUP DOOR		
23.	817-068C	SEED CUP LEFT HALF		
24.	801-057C	SCR SELF TAP 8X3/8 TYPE25 BT		
25.	817-004C	NYLON WASHER-SPLIT		
26.	817-073C	SEED CUP WASHER RETAINER		
27.	817-075C	SEED CUP ASSEMBLY		
28.	802-014C	HHCS 3/8-16X3/4 GR5		
29.	804-013C	WASHER LOCK SPRING 3/8 PLT		
30.	803-194C	NUT HEX WHIZ 1/4-20 PLT		
31.	805-023C	PIN ROLL 3/16X1 1/4 PLT		
32.	800-009C	CLAMP HOSE 1 5/8 NO. 26		
33.	816-239C	SEED HOSE 56 RIBS X 11 LONG		

6" Feeder Cup Spacing LH & Center

(Applies to 3S-4000, 3S-4000F only)



17242

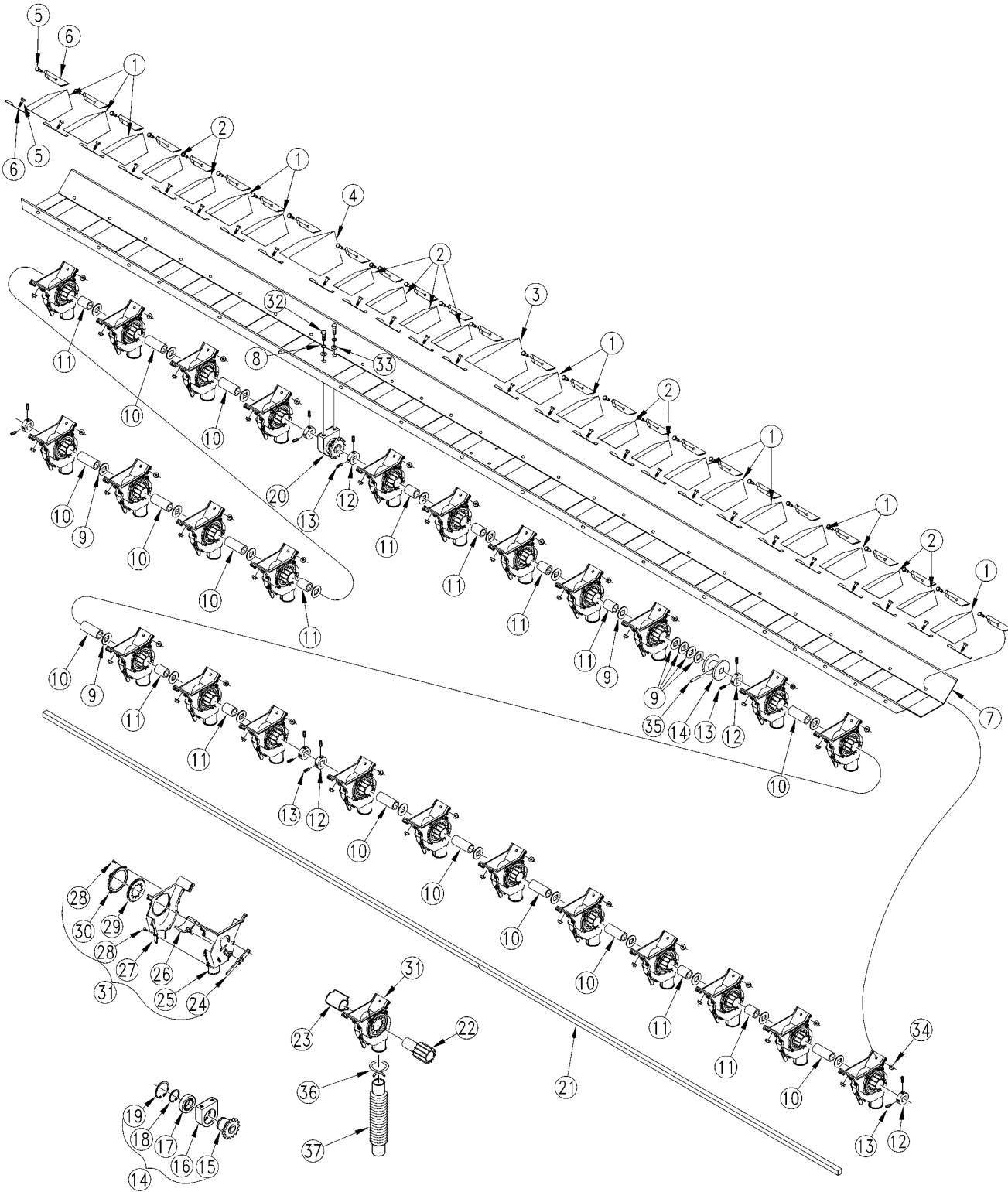
6" Feeder Cup Spacing LH & Center

(Applies to 3S-4000, 3S-4000F only)

Ref	Part No.	Part Description	Comments	Revision
	dwg17242	Image No.		
1.	118-431D	3 BOX DIVIDER FOR 4 7/8 ROW		
2.	118-433D	BOX DVDR 4.00 X 60DEG		
3.	118-432D	6 5/8 BOX DVDR FOR 8 1/2 ROW		
4.	802-004C	HHCS 1/4-20X3/4 GR5		
5.	118-341D	2SNT SEED BOX DIVIDER CLIP		
6.	195-244D	2600-6 26RW FEEDER CUP TRAY LH		
7.	804-012C	WASHER FLAT 3/8 SAE PLT		
8.	804-031C	WASHER RETAINING		
9.	118-434D	SPACER TUBE X 1.454		
10.	152-044D	2.454 FEEDER CUP SPACER		
11.	890-350C	5/8 SHAFT LOCKING COLLAR		
12.	801-035C	SCREW SET 5/16-18 SKT KP X 3/8		
13.	118-226S	FEEDER CUP BEARING ASSEMBLY		
14.	118-508D	BEARING HUB 40A15		
15.	118-336D	FEEDER CUP BEARING HOUSING		
16.	822-103C	BRG 30IDX55OD MM		
17.	800-004C	SNAP RING EXT BASIC 1 3/16		
18.	800-107C	SNAP RING INTERNAL 2.165		
19.	109-091D	MACHINED ADJUSTMENT SPOOL		
20.	175-233D	13' EW FD CUP SQ DRIVE BAR		
21.	890-190C	PM SEED CUP SPROCKET		
22.	817-074C	SEED CUP SLEEVE		
23.	817-071C	SEED CUP ADJUSTMENT HANDLE		
24.	817-069C	SEED CUP RIGHT HALF		
25.	817-070C	SEED CUP DOOR		
26.	817-068C	SEED CUP LEFT HALF		
27.	801-057C	SCR SELF TAP 8X3/8 TYPE25 BT		
28.	817-004C	NYLON WASHER-SPLIT		
29.	817-073C	SEED CUP WASHER RETAINER		
30.	817-075C	SEED CUP ASSEMBLY		
31.	802-014C	HHCS 3/8-16X3/4 GR5		
32.	804-013C	WASHER LOCK SPRING 3/8 PLT		
33.	803-194C	NUT HEX WHIZ 1/4-20 PLT		
34.	805-023C	PIN ROLL 3/16X1 1/4 PLT		
35.	800-009C	CLAMP HOSE 1 5/8 NO. 26		
36.	816-239C	SEED HOSE 56 RIBS X 11 LONG		

6" Feeder Cup Spacing RH

(Applies to 3S-4000, 3S-4000F only)



17243

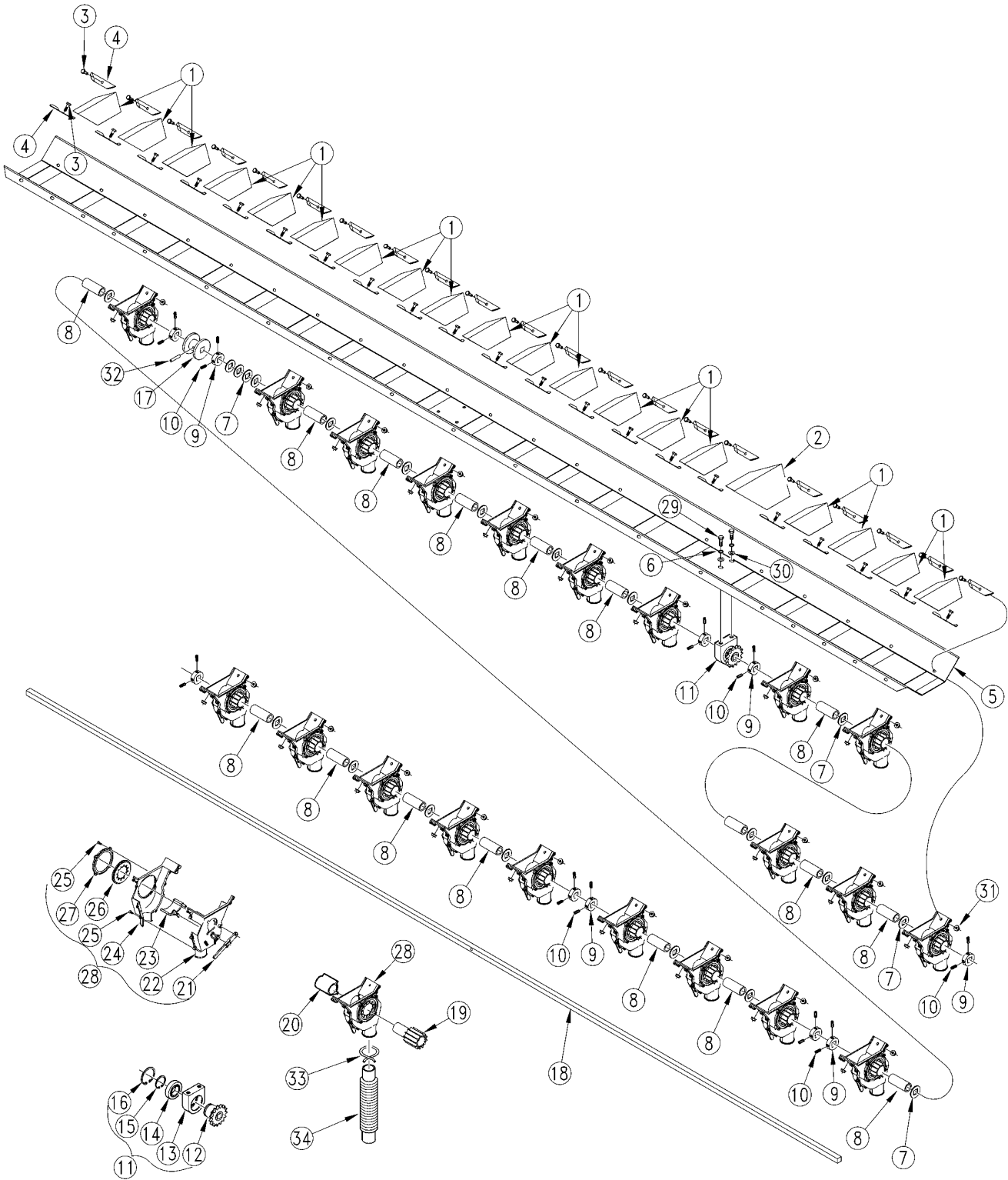
6" Feeder Cup Spacing RH

(Applies to 3S-4000, 3S-4000F only)

Ref	Part No.	Part Description	Comments	Revision
	dwg17243	Image No.		
1.	118-433D	BOX DVDR 4.00 X 60DEG		
2.	118-431D	3 BOX DIVIDER FOR 4 7/8 ROW		
3.	118-437D	BOX DVDR 5.13 X 60DEG		
4.	118-432D	6 5/8 BOX DVDR FOR 8 1/2 ROW		
5.	802-004C	HHCS 1/4-20X3/4 GR5		
6.	118-341D	2SNT SEED BOX DIVIDER CLIP		
7.	195-236D	2600-6 26RW FEEDER CUP TRAY RH		
8.	804-012C	WASHER FLAT 3/8 SAE PLT		
9.	804-031C	WASHER RETAINING		
10.	118-434D	SPACER TUBE X 1.454		
11.	152-044D	2.454 FEEDER CUP SPACER		
12.	890-350C	5/8 SHAFT LOCKING COLLAR		
13.	801-035C	SCREW SET 5/16-18 SKT KP X 3/8		
14.	118-226S	FEEDER CUP BEARING ASSEMBLY		
15.	118-508D	BEARING HUB 40A15		
16.	118-336D	FEEDER CUP BEARING HOUSING		
17.	822-103C	BRG 30IDX55OD MM		
18.	800-004C	SNAP RING EXT BASIC 1 3/16		
19.	800-107C	SNAP RING INTERNAL 2.165		
20.	109-091D	MACHINED ADJUSTMENT SPOOL		
21.	175-233D	13' EW FD CUP SQ DRIVE BAR		
22.	890-190C	PM SEED CUP SPROCKET		
23.	817-074C	SEED CUP SLEEVE		
24.	817-071C	SEED CUP ADJUSTMENT HANDLE		
25.	817-069C	SEED CUP RIGHT HALF		
26.	817-070C	SEED CUP DOOR		
27.	817-068C	SEED CUP LEFT HALF		
28.	801-057C	SCR SELF TAP 8X3/8 TYPE25 BT		
29.	817-004C	NYLON WASHER-SPLIT		
30.	817-073C	SEED CUP WASHER RETAINER		
31.	817-075C	SEED CUP ASSEMBLY		
32.	802-014C	HHCS 3/8-16X3/4 GR5		
33.	804-013C	WASHER LOCK SPRING 3/8 PLT		
34.	803-194C	NUT HEX WHIZ 1/4-20 PLT		
35.	805-023C	PIN ROLL 3/16X1 1/4 PLT		
36.	800-009C	CLAMP HOSE 1 5/8 NO. 26		
37.	816-239C	SEED HOSE 56 RIBS X 11 LONG		

7.5" Feeder Cup Spacing LH & Center

(Applies to 3S-4000, 3S-4000F only)



17244

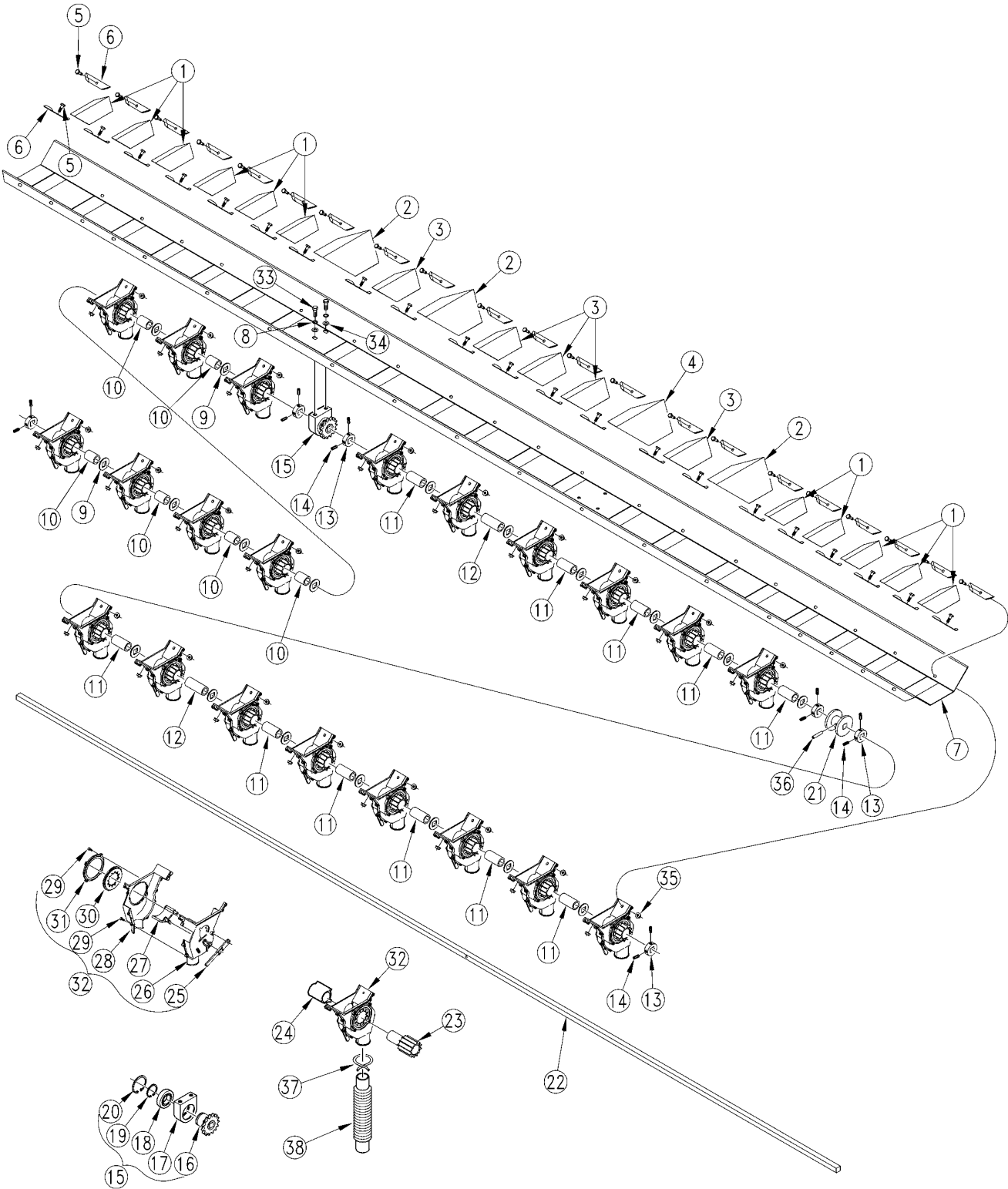
7.5" Feeder Cup Spacing LH & Center

(Applies to 3S-4000, 3S-4000F only)

Ref	Part No.	Part Description	Comments	Revision
	dwg17244	Image No.		
1.	118-437D	BOX DVDR 5.13 X 60DEG		
2.	118-467D	7 1/16 BOX DIVIDER - 7 1/2		
3.	802-004C	HHCS 1/4-20X3/4 GR5		
4.	118-341D	2SNT SEED BOX DIVIDER CLIP		
5.	195-245D	2600-7.5 RW FEEDER CUP TRAY LH		
6.	804-012C	WASHER FLAT 3/8 SAE PLT		
7.	804-031C	WASHER RETAINING		
8.	118-438D	SPACER TUBE X 3.579		
9.	890-350C	5/8 SHAFT LOCKING COLLAR		
10.	801-035C	SCREW SET 5/16-18 SKT KP X 3/8		
11.	118-226S	FEEDER CUP BEARING ASSEMBLY		
12.	118-508D	BEARING HUB 40A15		
13.	118-336D	FEEDER CUP BEARING HOUSING		
14.	822-103C	BRG 30IDX55OD MM		
15.	800-004C	SNAP RING EXT BASIC 1 3/16		
16.	800-107C	SNAP RING INTERNAL 2.165		
17.	109-091D	MACHINED ADJUSTMENT SPOOL		
18.	175-233D	13' EW FD CUP SQ DRIVE BAR		
19.	890-190C	PM SEED CUP SPROCKET		
20.	817-074C	SEED CUP SLEEVE		
21.	817-071C	SEED CUP ADJUSTMENT HANDLE		
22.	817-069C	SEED CUP RIGHT HALF		
23.	817-070C	SEED CUP DOOR		
24.	817-068C	SEED CUP LEFT HALF		
25.	801-057C	SCR SELF TAP 8X3/8 TYPE25 BT		
26.	817-004C	NYLON WASHER-SPLIT		
27.	817-073C	SEED CUP WASHER RETAINER		
28.	817-075C	SEED CUP ASSEMBLY		
29.	802-014C	HHCS 3/8-16X3/4 GR5		
30.	804-013C	WASHER LOCK SPRING 3/8 PLT		
31.	803-194C	NUT HEX WHIZ 1/4-20 PLT		
32.	805-023C	PIN ROLL 3/16X1 1/4 PLT		
33.	800-009C	CLAMP HOSE 1 5/8 NO. 26		
34.	816-239C	SEED HOSE 56 RIBS X 11 LONG		

7.5" Feeder Cup Spacing RH

(Applies to 3S-4000, 3S-4000F only)



17245

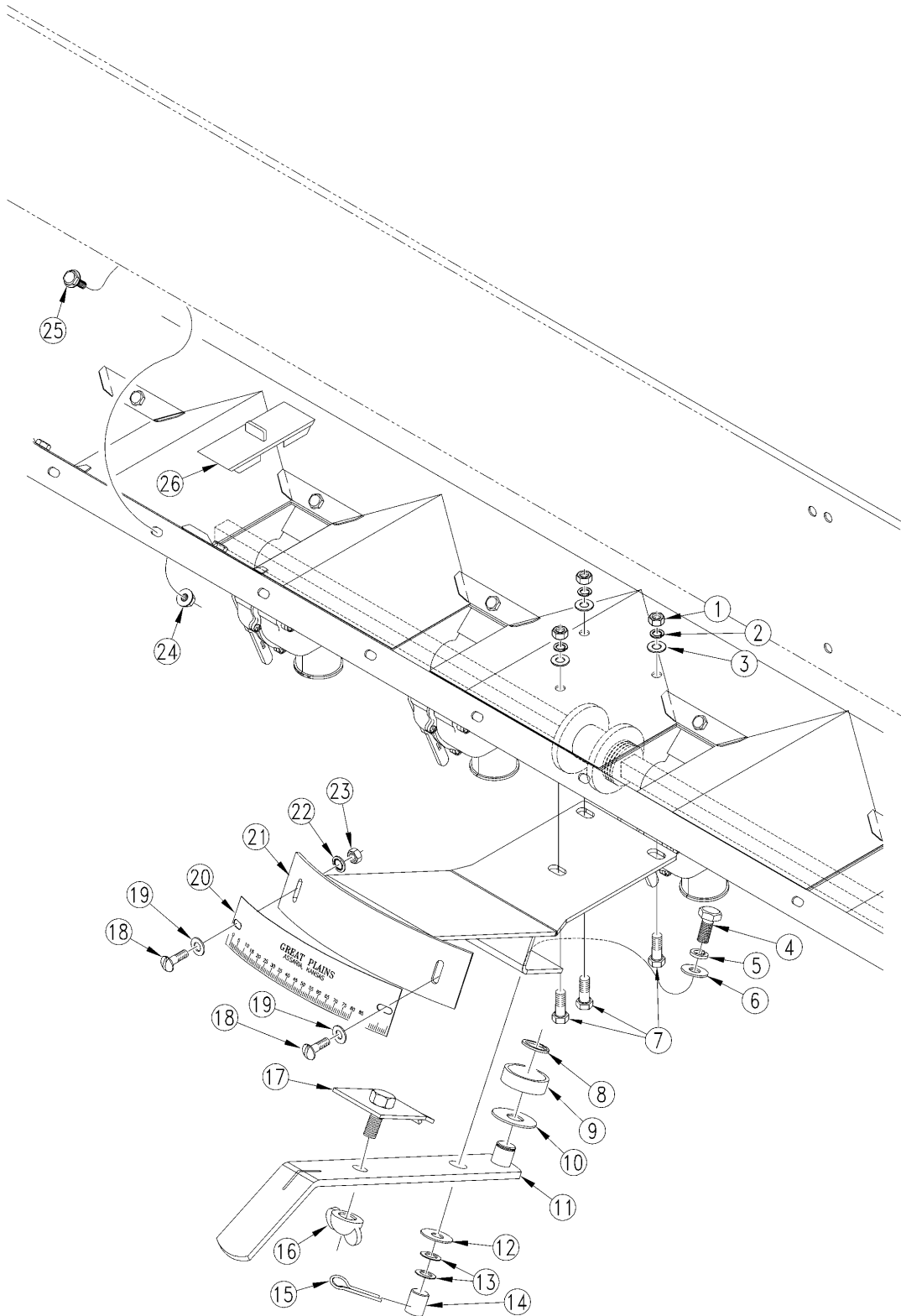
7.5" Feeder Cup Spacing RH

(Applies to 3S-4000, 3S-4000F only)

Ref	Part No.	Part Description	Comments	Revision
	dwg17245	Image No.		
1.	118-466D	4 1/2 BOX DIVIDER - 7 1/2		
2.	118-432D	6 5/8 BOX DVDER FOR 8 1/2 ROW		
3.	118-437D	BOX DVDR 5.13 X 60DEG		
4.	118-338D	7 1/4 BOX DVDR FOR 7 1/2 ROW		
5.	802-004C	HHCS 1/4-20X3/4 GR5		
6.	118-341D	2SNT SEED BOX DIVIDER CLIP		
7.	195-237D	2600-7.5 21RW FEEDERCUP TRAYRH		
8.	804-012C	WASHER FLAT 3/8 SAE PLT		
9.	804-031C	WASHER RETAINING		
10.	118-468D	SPACER TUBE X 2.954		
11.	118-438D	SPACER TUBE X 3.579		
12.	118-440D	SPACER TUBE X 5.079		
13.	890-350C	5/8 SHAFT LOCKING COLLAR		
14.	801-035C	SCREW SET 5/16-18 SKT KP X 3/8		
15.	118-226S	FEEDER CUP BEARING ASSEMBLY		
16.	118-508D	BEARING HUB 40A15		
17.	118-336D	FEEDER CUP BEARING HOUSING		
18.	822-103C	BRG 30IDX55OD MM		
19.	800-004C	SNAP RING EXT BASIC 1 3/16		
20.	800-107C	SNAP RING INTERNAL 2.165		
21.	109-091D	MACHINED ADJUSTMENT SPOOL		
22.	175-233D	13' EW FD CUP SQ DRIVE BAR		
23.	890-190C	PM SEED CUP SPROCKET		
24.	817-074C	SEED CUP SLEEVE		
25.	817-071C	SEED CUP ADJUSTMENT HANDLE		
26.	817-069C	SEED CUP RIGHT HALF		
27.	817-070C	SEED CUP DOOR		
28.	817-068C	SEED CUP LEFT HALF		
29.	801-057C	SCR SELF TAP 8X3/8 TYPE25 BT		
30.	817-004C	NYLON WASHER-SPLIT		
31.	817-073C	SEED CUP WASHER RETAINER		
32.	817-075C	SEED CUP ASSEMBLY		
33.	802-014C	HHCS 3/8-16X3/4 GR5		
34.	804-013C	WASHER LOCK SPRING 3/8 PLT		
35.	803-194C	NUT HEX WHIZ 1/4-20 PLT		
36.	805-023C	PIN ROLL 3/16X1 1/4 PLT		
37.	800-009C	CLAMP HOSE 1 5/8 NO. 26		
38.	816-239C	SEED HOSE 56 RIBS X 11 LONG		

Seed Rate Adjustment Handle

(Applies to 3S-4000, 3S-4000F only)



16676

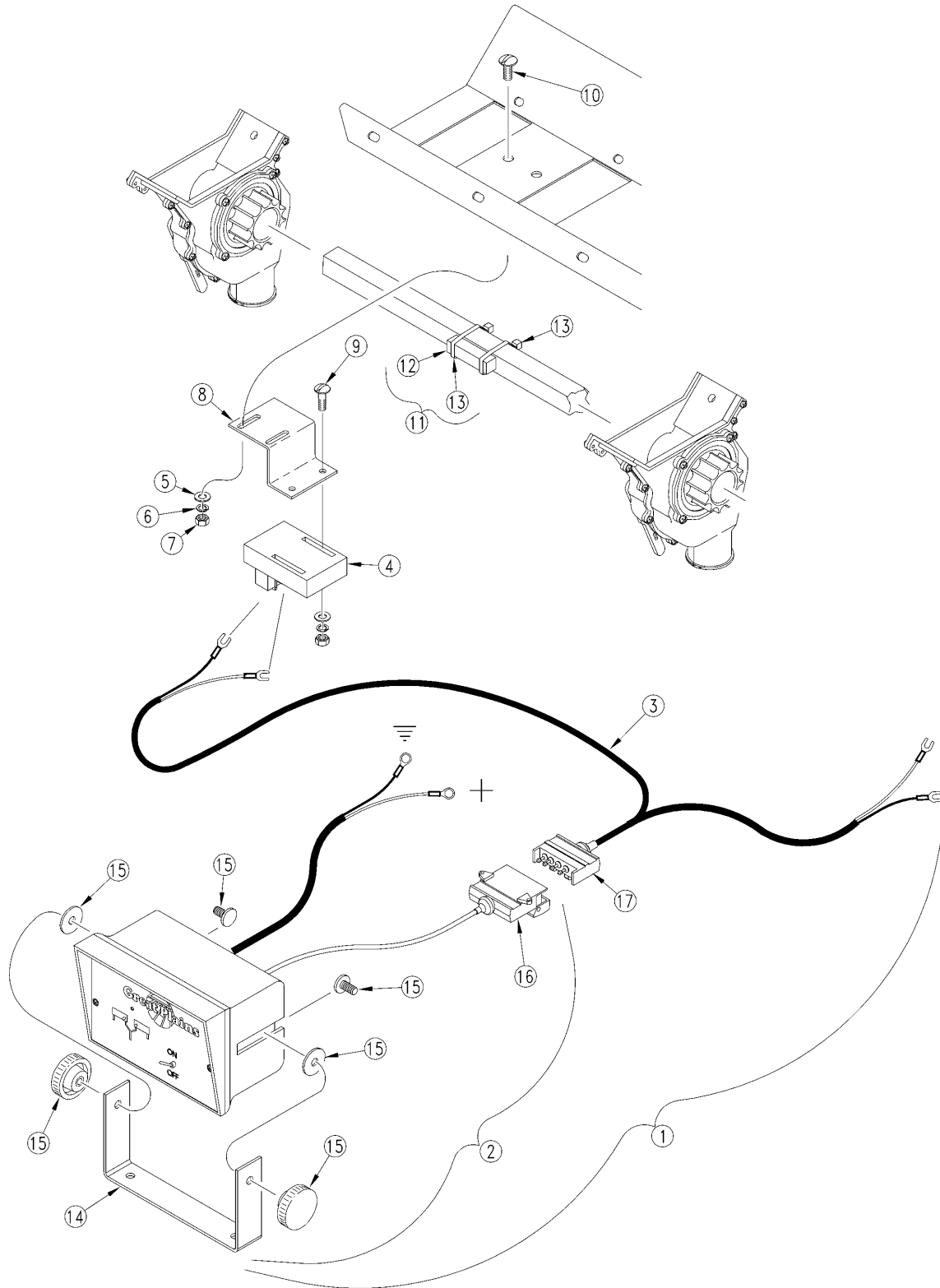
Seed Rate Adjustment Handle

(Applies to 3S-4000, 3S-4000F only)

Ref	Part No.	Part Description	Comments	Revision
	dwg16676	Image No.		
1.	803-008C	NUT HEX 5/16-18 PLT		
2.	804-009C	WASHER LOCK SPRING 5/16 PLT		
3.	804-036C	WASHER FLAT 5/16 SAE PLT		
4.	802-014C	HHCS 3/8-16X3/4 GR5		
5.	804-013C	WASHER LOCK SPRING 3/8 PLT		
6.	804-012C	WASHER FLAT 3/8 SAE PLT		
7.	802-007C	HHCS 5/16-18X3/4 GR5		
8.	800-003C	SNAP RING EXT 17 MM		
9.	822-008C	BRG BALL 17IDX40OD 6203		
10.	804-001C	WASHER ADJ HANDLE BRG		
11.	118-443H	SEED RATE ADJ HANDLE WLDMNT		
11.	118-444H	SEED RATE ADJ WLDMNT		
12.	804-021C	WASHER FLAT 5/8 SAE PLT		
13.	804-040C	WASHER MACH 1.19 X .63 X 18GA		
14.	109-069D	ADJUSTMENT HANDLE PIVOT		
15.	805-016C	PIN COTTER 3/16 X 1 1/4 PLT		
16.	803-016C	NUT WING 1/2-13 PLT		
17.	109-025H	ADJ LOCK PLATE ASS'Y - 1 1/2 W		
18.	801-001C	SCREW RD HD 8-32 X 3/8 BRASS		
19.	804-003C	WASHER FLAT #8 BRASS		
20.	819-109C	REAR SEED ADJ GUIDE 6 3/4 LONG		
20.	819-001C	NAME PLATE ADJ. GUIDE LONG		
21.	195-253H	REAR SEED RATE ADJ MOUNT WLDMT		
21.	118-444H	SEED RATE ADJ WLDMNT		
22.	804-002C	WASHER INTERNAL STAR #8 BRASS		
23.	803-035C	NUT HEX 8-32 BRASS		
24.	803-088C	NUT HEX LOCK 1/4-20 FLG		
25.	802-196C	HFSS 1/4-20X5/8 GR5		
26.	817-087C	1 3/4 WIDE FEEDER CUP PLUG		

Vansco Shaft Monitor (Option)

(Applies to 3S-4000, 3S-4000F only)



27009

Vansco Shaft Monitor (Option)

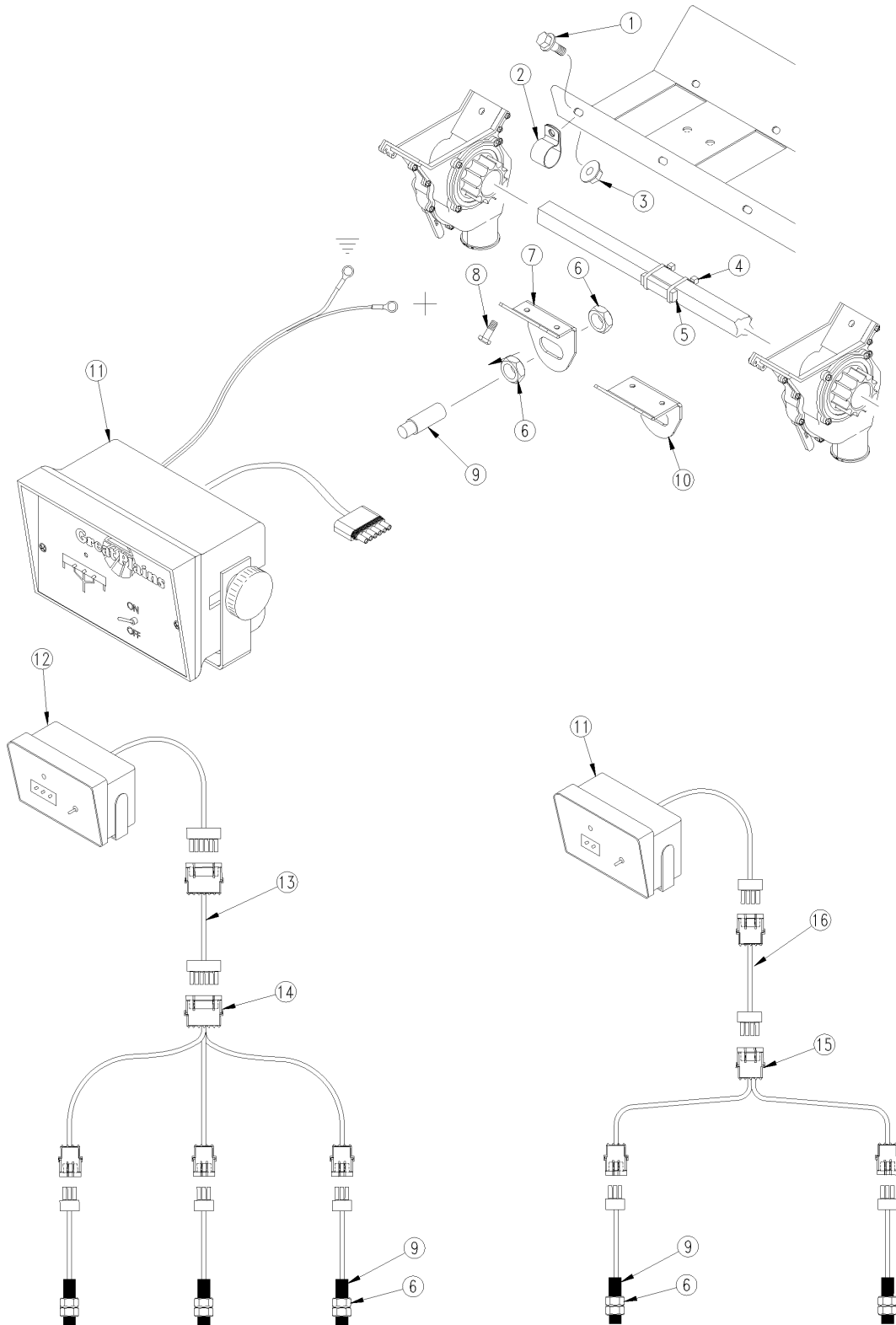
(Applies to 3S-4000, 3S-4000F only)

Ref	Part No.	Part Description	Comments	Revision
	dwg27009	Image No.		
1.	823-059C	VANSCO 2 CHANNEL SHAFT MONITOR		
1.	823-060C	VANSCO 3 CHANNEL SHAFT MONITOR		
1.	823-076C	VANSCO 2 CHNL SHAFT MNTR-2SNT		
2.	253001	VANSCO CONTROL BOX ASSY 2 CH		
2.	253000	VANSCO CONTROL BOX ASSY 3 CH		
3.	253701	VANSCO HARNESS 2 CH 40FT		
3.	253700	VANSCO HARNESS 3 CH 60FT		
4.	VA-080002	REED SWITCH PICK-UP		
5.	804-088C	WASHER FLAT #8 SAE PLT		
6.	804-043C	WASHER LOCK #8		
7.	803-064C	NUT HEX 8-32		
8.	116-181D	VANSCO SWITCH BRACKET		
9.	801-067C	SCREW RD HD 8-32 X 1 1/2LG PLT		
10.	801-016C	SCREW RD HD 8-32 X 1/2 LG PLT		
11.	116-132K	VANSCO MAGNET & CABLE TIE ASSY		
12.	890-321C	VANSCO MAGNET		
13.	800-112C	CABLE TIE .19X7.25 1.75D 50LB		
14.	VA-VMM253501	MOUNTING BRACKET		
15.	VA-253307	VANSCO MOUNTING KNOB KIT		
16.	VA-JX-B77	BRYLITE CONSOLE END		
17.	VA-JX-B76	BRYLITE HARNESS END		

[Table of Contents](#) [Part Number Index](#)

Loup Shaft Monitor (2 Channel 116-282A) (3 Channel 116-283A)

(Applies to 3S-4000, 3S-4000F only)



34220

Loup Shaft Monitor (2 Channel 116-282A) (3 Channel 116-283A)

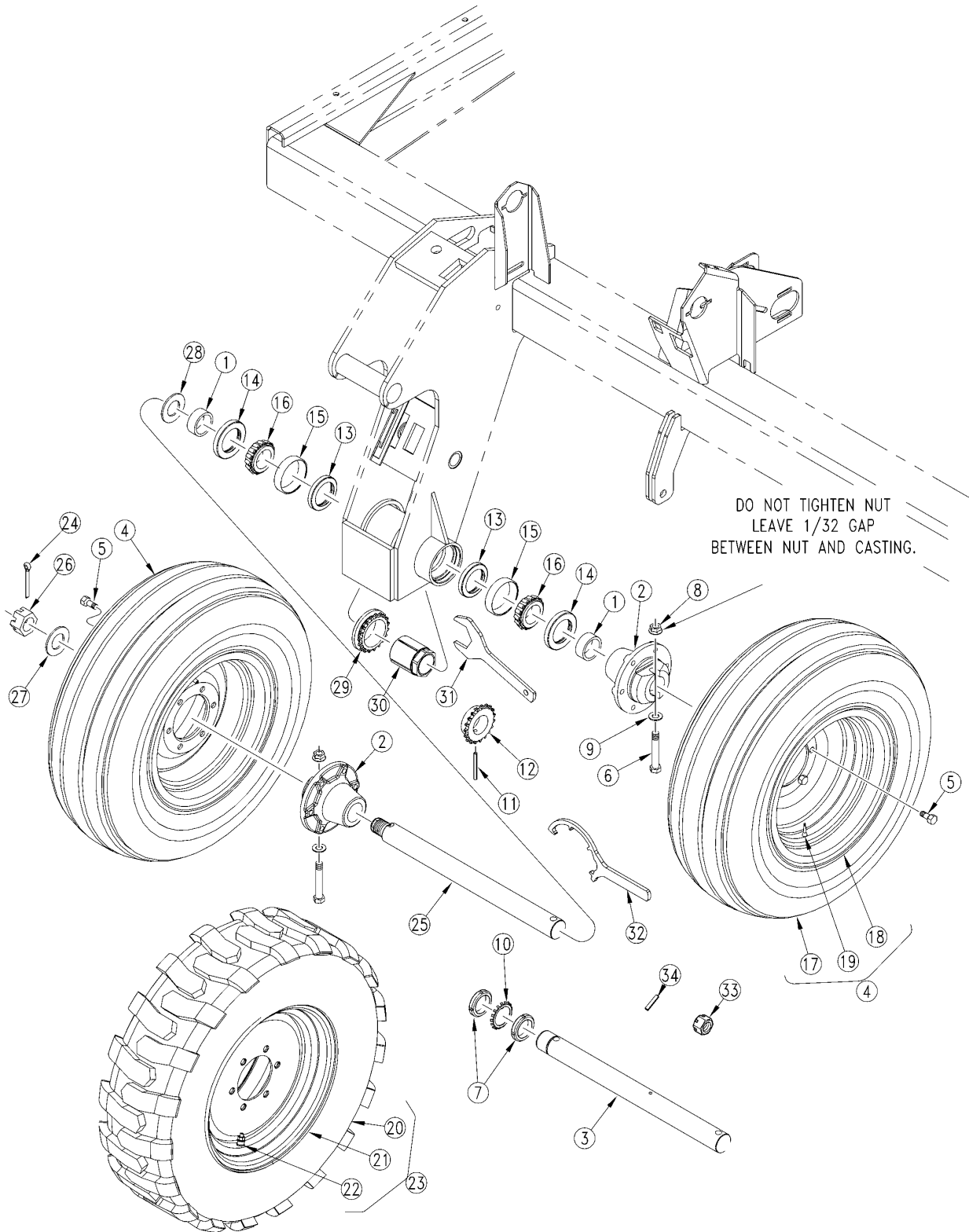
(Applies to 3S-4000, 3S-4000F only)

Ref	Part No.	Part Description	Comments	Revision
	dwg34220	Image No.		
1.	802-257C	HFSS 1/4-20X3/4 GR5		
2.	800-052C	HOSE CLIP 5/8 I.D.		
3.	803-088C	NUT HEX LOCK 1/4-20 FLG		
4.	770026	CABLE TIE, NYLON		
5.	540017	MAGNET, ADHESIVE BACKED, LARGE		
6.	710425	NUT HEX JAM, PLASTIC M16 X 2		
7.	116-019D	SHAFT SENSOR MOUNT		
8.	801-199C	SCR SELF TAP #10 X 3/4		
9.	253100	LOUP SHAFT SENSOR 2&3 CHANNEL		
10.	116-020D	SMALL CUP SENSOR MOUNT		
11.	253017	LOUP 3 CHANNEL SHAFT MONITOR		
12.	253016	LOUP 2 CHANNEL SHAFT MONITOR		
13.	833-595C	SHAFT MONITOR EXT. 30' 6P WP		
14.	318951	HARNESS 3 SHAFT MONITOR LOUP		
15.	253017	LOUP 3 CHANNEL SHAFT MONITOR		
16.	833-596C	SHAFT MONITOR EXT. 25' 4P WP		
17.	318917	HARNESS 2 SHAFT MONITOR LOUP		

[Table of Contents](#) [Part Number Index](#)

Gauge Wheels (S/N YY2838-)

(Applies to 3S-4000, 3S-4000F only)



18809

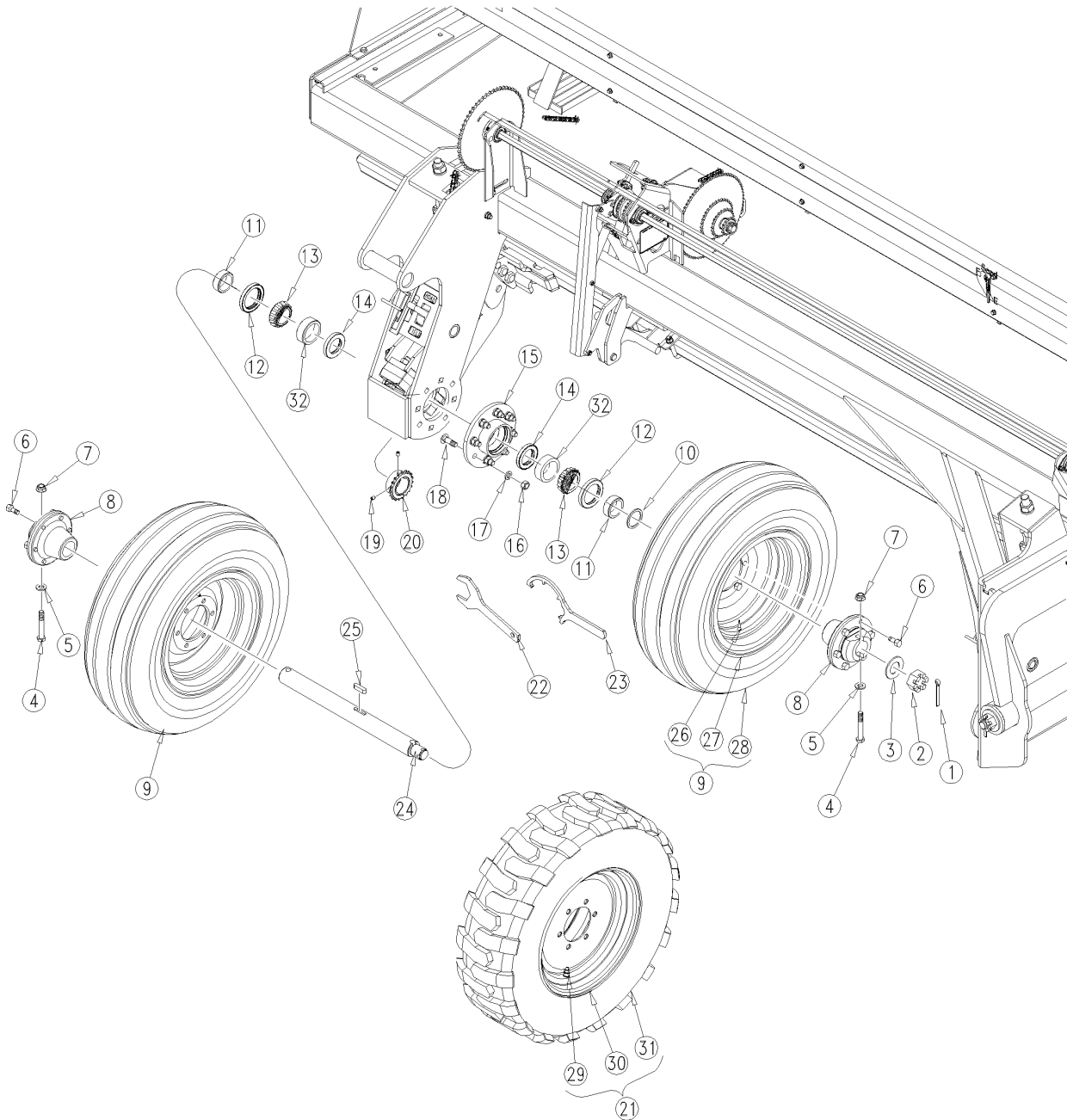
Gauge Wheels (S/N YY2838-)

(Applies to 3S-4000, 3S-4000F only)

Ref	Part No.	Part Description	Comments	Revision
	dwg18809	Image No.		
1.	120-198D	AXLE SPACER TUBE		
2.	152-390D	6-BOLT HEAVY DRIVE HUB 2 BORE		
3.	195-229D	SPNDLE 2"W/5/8 CROSS HOLE DUAL		
4.	197-148K	TITAN TIRE 11L-15 8 PLY 6 BLT	(S/N YY2902-)	
4.	197-189K	TITAN TIRE 11L-15 8PLY6BLT BKS	(S/N YY2903+)	
5.	802-104C	BOLT WHEEL 1/2-20X1 90-DEG		
6.	802-687C	HHCS 5/8-11X4 SPTHD GR8		
7.	803-208C	NUT BEARING LOCK, TN-10		
8.	803-263C	NUT HEX FLANGE LOCK 5/8-11 PLT		
9.	804-095C	WASHER FLAT 5/8 HARD ASTM436		
10.	804-098C	WASHER BEARING LOCK, TW110		
11.	805-030C	PIN ROLL 5/16 X 3 PLT		
12.	808-287C	SPKT 50B19C2B W/5/16 HOLE		
13.	816-012C	SEAL 3.375 X 2.0 X.438 CR20125		
14.	816-138C	SEAL DBL LIP 2.5 ID X 3.881 OD		
15.	822-118C	BEARING CUP 2 TIM33821		
16.	822-117C	BEARING CONE 2 TIM33889		
17.	814-178C	TIRE TITAN 11L-15 X 8 PLY		
18.	814-008C	WHEEL 8 X 15 X 6 BOLT		
19.	816-035C	VALVE STEM TR415X.625X1 1/4 LG		
20.	814-207C	TIRE SKID ST 265/70B16.5 NHS		
21.	814-209C	RIM 16.5X8.25, 6 BLT 4.63 PILT	(S/N YY2902-)	
21.	814-554C	RIM 16.5X8.25 6BLT 4.63PILT BKS	(S/N YY2903+)	
22.	814-210C	VALVE STEM METAL TR-575 TUBLES		
23.	196-274K	RH TIRE/RIM 265/70B16.5 SKID 6	(S/N YY2902-)	
23.	196-542K	RH TIRE/RIM 265/70B16.5SKID6BKS	(S/N YY2903+)	
23.	196-275K	LH TIRE/RIM 265/70B16.5 SKID 6	(S/N YY2902-)	
23.	196-543K	LH TIRE/RIM 265/70B16.5SKID6 BK	(S/N YY2903+)	
24.	805-148C	PIN COTTER 3/8 X 3 PLT		
25.	195-265D	SPNDL 2 X 24.70 W/ 1.5-12 THD		
25.	195-351D	SPNDL 2 X 24.7 1.5-12THD NOHLE		
26.	803-239C	NUT HEX SLOTTED 1 1/2-12		
27.	804-182C	WASHER HARD 1 1/2 MILCARB GR8		
28.	195-234D	WASHER FLAT 2 ID X 2 5/8 X 10G		
29.	808-413C	SPKT 50B19 2.88 KEYLESS BORE		
30.	891-137C	HUB KEYLESS 2.0 BORE X 2.88 OD		
31.	195-352D	WRENCH OPEN END 2 1/2		
32.	195-355D	WRENCH SPANNER 6 BOLT HUB		
33.	195-398H	DRIVE SPROCKET TORQUING NUT		
34.	805-249C	PIN ROLL 3/8 X 2 PLT		

Gauge Wheels (S/N YY2839+)

(Applies to 3S-4000, 3S-4000F only)



38303

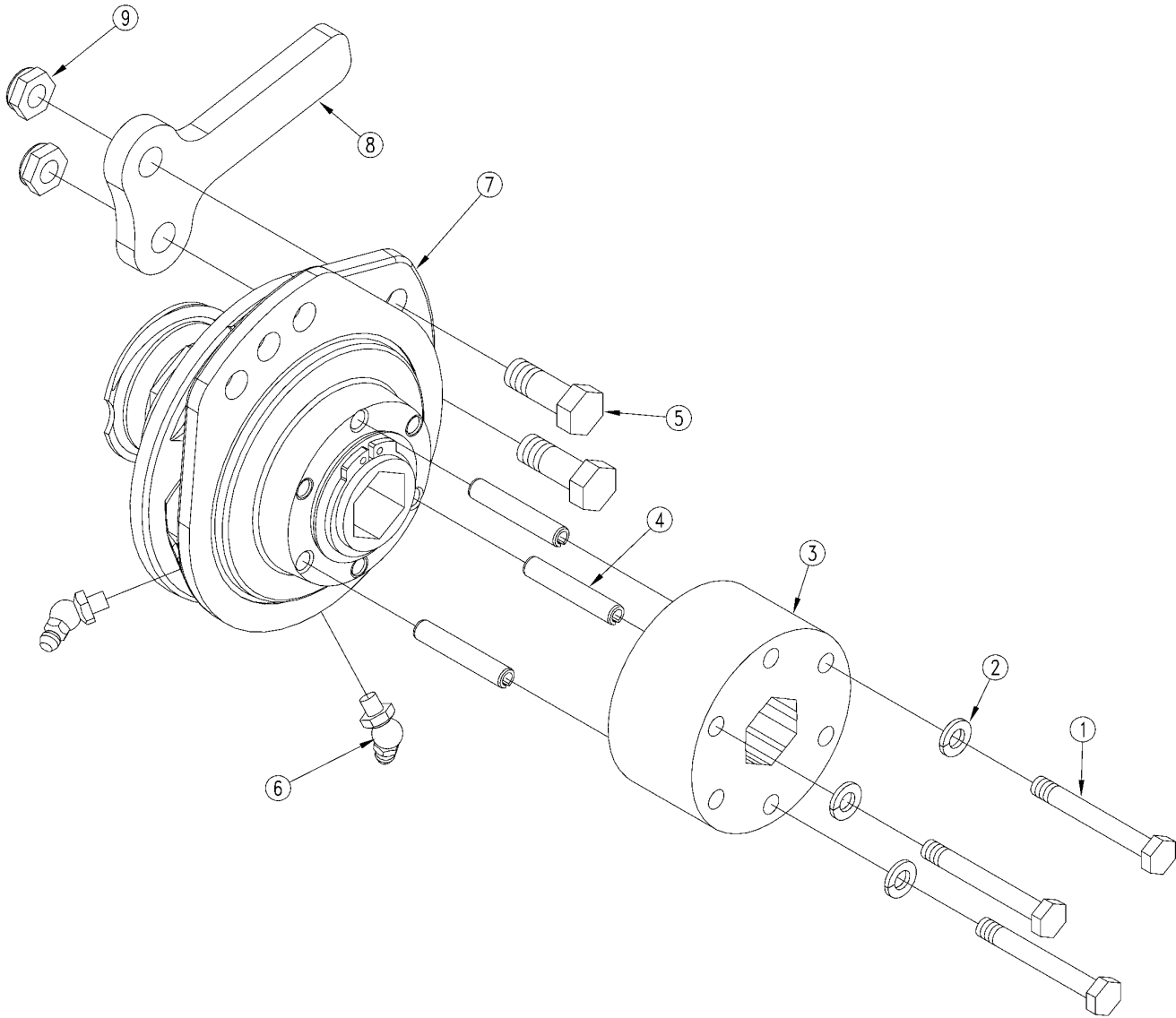
Gauge Wheels (S/N YY2839+)

(Applies to 3S-4000, 3S-4000F only)

Ref	Part No.	Part Description	Comments	Revision
	dwg38303	Image No.		
1.	805-148C	PIN COTTER 3/8 X 3 PLT		
2.	803-239C	NUT HEX SLOTTED 1 1/2-12 PLT		
3.	804-182C	WASHER HARD 1 1/2 MILCARB GR8		
4.	802-687C	HHCS 5/8-11X4 SPTHD GR8		
5.	804-095C	WASHER FLAT 5/8 HARD ASTM436		
6.	802-104C	BOLT WHEEL 1/2-20X1 90-DEG		
7.	803-263C	NUT HEX FLANGE LOCK 5/8-11 PLT		
8.	152-597D	6 LUG DRIVE HUB 2.125 BORE		
9.	197-148K	TITAN TIRE 11L-15 8 PLY 6 BLT	(S/N YY2902-)	
9.	197-189K	TITAN TIRE 11L-15 8PLY6BLT BKS	(S/N YY2903+)	
10.	195-426D	WASHER FLAT 2.13 ID X 2.63		
11.	195-425D	AXLE SPACER TUBE		
12.	816-747C	SEAL DBLLIP 2.75 ID X 3.881 OD		
13.	822-276C	BEARING CONE 2.125" TIM33895		
14.	816-748C	SEAL 3.375X2.125X.438 CR 21353		
15.	195-391H	3S-5000 GAGE WHL BRNG END CAP		
16.	803-021C	NUT HEX 5/8-11 PLT		
17.	804-022C	WASHER LOCK SPRING 5/8 PLT		
18.	802-088C	RHSNB 5/8-11X2 GR5		
19.	801-023C	SCREW SET SH 3/8-16X3/8 TYPE C		
20.	195-390H	SPKT 50A19 2.125 BORE KEYED		
21.	196-274K	RH TIRE/RIM 265/70B16.5 SKID 6	(S/N YY2902-)	
21.	196-542K	RH TIRE/RIM 265/70B16.5SKID6BKS	(S/N YY2903+)	
21.	196-275K	LH TIRE/RIM 265/70B16.5 SKID 6	(S/N YY2902-)	
21.	196-543K	LH TIRE/RIM 265/70B16.5SKID6 BK	(S/N YY2903+)	
22.	195-352D	WRENCH OPEN END 2 1/2		
23.	195-355D	WRENCH SPANNER 6 BOLT HUB		
24.	195-424D	GAUGE WHEEL DRIVE SPINDLE		
25.	800-435C	KEY 1/2 SQ X 2 LONG RD ENDS		
26.	816-035C	VALVE STEM TR415X.625X1 1/4 LG		
27.	814-088C	TUBE FOR 25.5X8.0-14(814-086C)		
28.	814-178C	TIRE TITAN 11L-15 X 8 PLY		
29.	814-210C	VALVE STEM METAL TR-575 TUBLES		
30.	814-209C	RIM 16.5X8.25, 6 BLT 4.63 PILT	(S/N YY2902-)	
30.	814-554C	RIM 16.5X8.25 6BLT 4.63PILT BKS	(S/N YY2903+)	
31.	814-207C	TIRE SKID ST 265/70B16.5 NHS		
32.	822-118C	BRG CUP 3.75OD TIM33821		

Center Clutch Breakdown (195-246K)

(Applies to 3S-4000, 3S-4000F only)



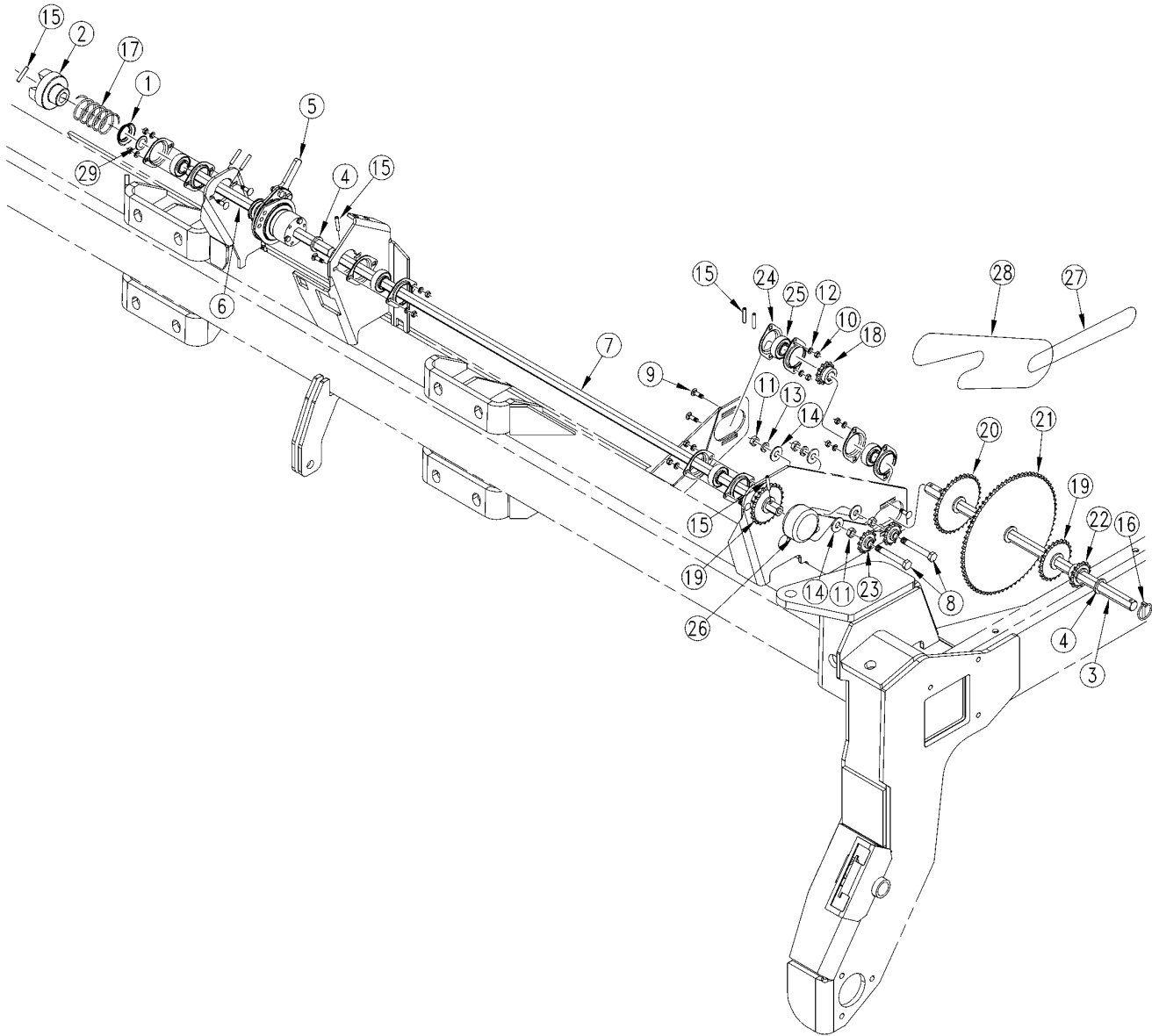
Center Clutch Breakdown (195-246K)

(Applies to 3S-4000, 3S-4000F only)

Ref	Part No.	Part Description	Comments	Revision
	dwg18819	Image No.		
1.	802-152C	HHCS 1/4-20X2 GR5		
2.	804-006C	WASHER LOCK SPRING 1/4 PLT		
3.	195-170D	CLUTCH ADAPTOR 7/8 HEX BORE		
4.	805-180C	PIN ROLL 1/4 X 1 1/2 LG PLT		
5.	802-017C	HHCS 3/8-16X1 GR5		
6.	800-058C	GREASE ZERK 1/4-28 X 45-DEG		
7.	176-042S	JAW CLUTCH CW EXT 7/8 HEX		
8.	152-262D	CLUTCH ENGAGE ARM		
9.	803-215C	NUT NYLOCK JAM THIN 3/8-16 PLT		

Center Drive (S/N YY1151-)

(Applies to 3S-4000, 3S-4000F only)



18813

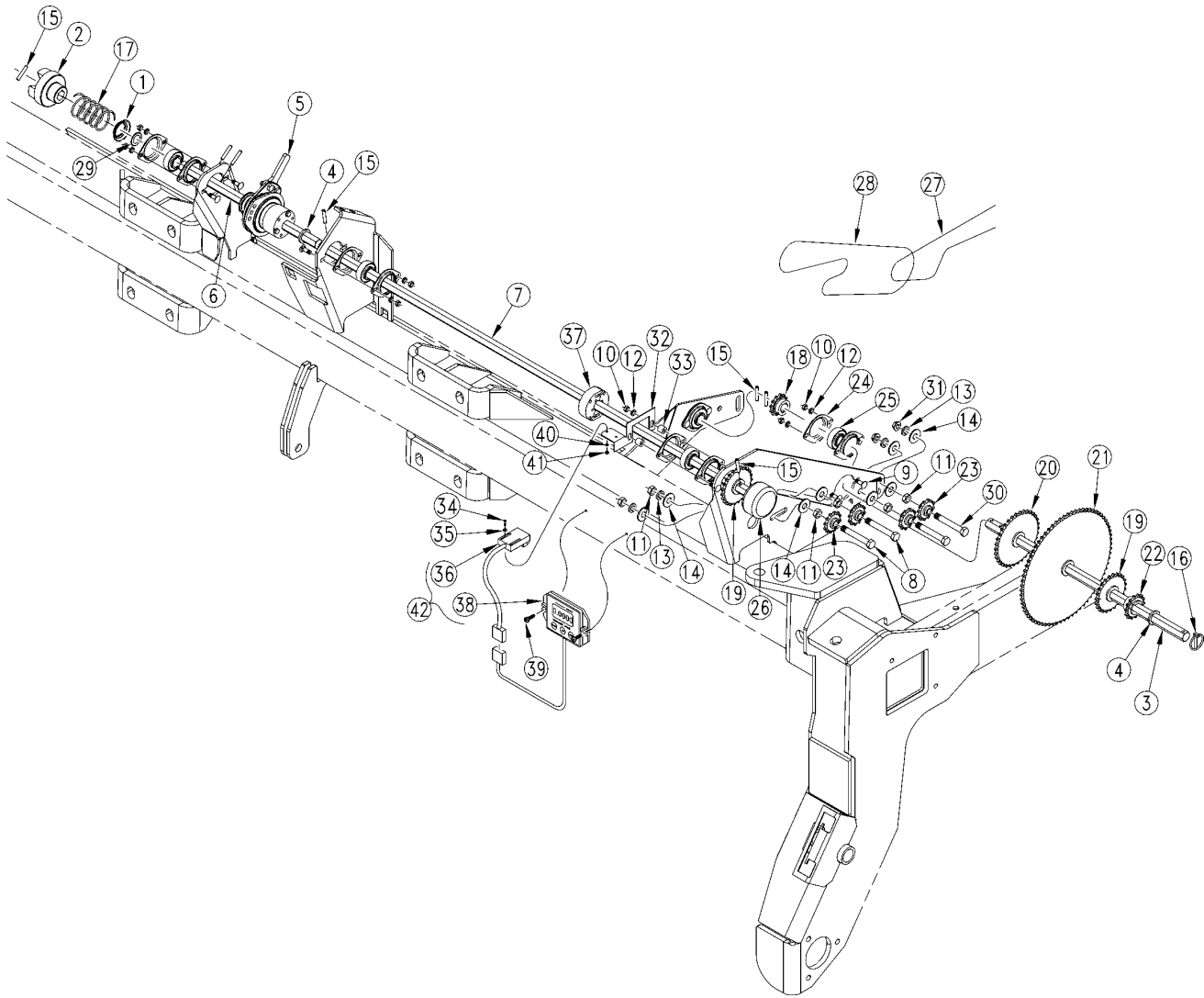
Center Drive (S/N YY1151-)

(Applies to 3S-4000, 3S-4000F only)

Ref	Part No.	Part Description	Comments	Revision
	dwg18813	Image No.		
1.	176-066D	CLUTCH SPRING RETAINER		
2.	195-109D	BRKAWAY CLUTCH 7/8 HX LONG BR		
3.	195-172D	SEED JACKSHAFT 7/8 HEX CENTER		
4.	195-243D	7/8 HEX SPROCKET WASHER		
5.	195-246K	3S-4000 CENTER CLUTCH ASSY		
6.	195-257D	POWER SHAFT 7/8 HEX CENTER		
7.	195-258D	ACRE METER SHAFT		
8.	802-041C	HHCS 1/2-13X3 1/2 GR5		
9.	802-282C	RHSNB 5/16-18X1 GR5		
10.	803-008C	NUT HEX 5/16-18 PLT		
11.	803-036C	NUT HEX JAM 1/2-13 PLT		
12.	804-009C	WASHER LOCK SPRING 5/16 PLT		
13.	804-015C	WASHER LOCK SPRING 1/2 PLT		
14.	804-113C	WASHER FLAT 1/2 USS HARD PLT		
15.	805-180C	PIN ROLL 1/4 X 1 1/2 LG PLT		
16.	805-240C	PIN LINCH 3/16 X 1 9/16 LONG		
17.	807-097C	SPRING COMP 2 1/16 OD X 4 LG		
18.	808-143C	SPKT 40B12 7/8 HEX BORE W/SS		
19.	808-256C	SPKT 40C23 X 7/8 HEX BORE		
20.	808-257C	SPKT 40B34 X 7/8 HEX BORE		
21.	808-258C	SPKT 40B72 X 7/8 HEX BORE		
22.	808-259C	SPKT 40B14 X 7/8 HEX BORE		
23.	817-025C	NO. 40 12T IDLER SPKT.		
24.	822-032C	FLANGETTE 52 MST		
25.	822-119C	BRG 7/8HEXX2.05OD SPH		
26.	890-711C	ACREMETER 40-3S 11L X 15	(S/N YY1191-)	
27.	136-111D	CHAIN RL #40 68 PITCHES		
28.	136-122D	CHAIN RL #40 129 PITCHES		
29.	804-061C	WASHER MACH 1.50 X 1.00 X 18GA		

Center Drive (S/N YY1152+)

(Applies to 3S-4000, 3S-4000F only)



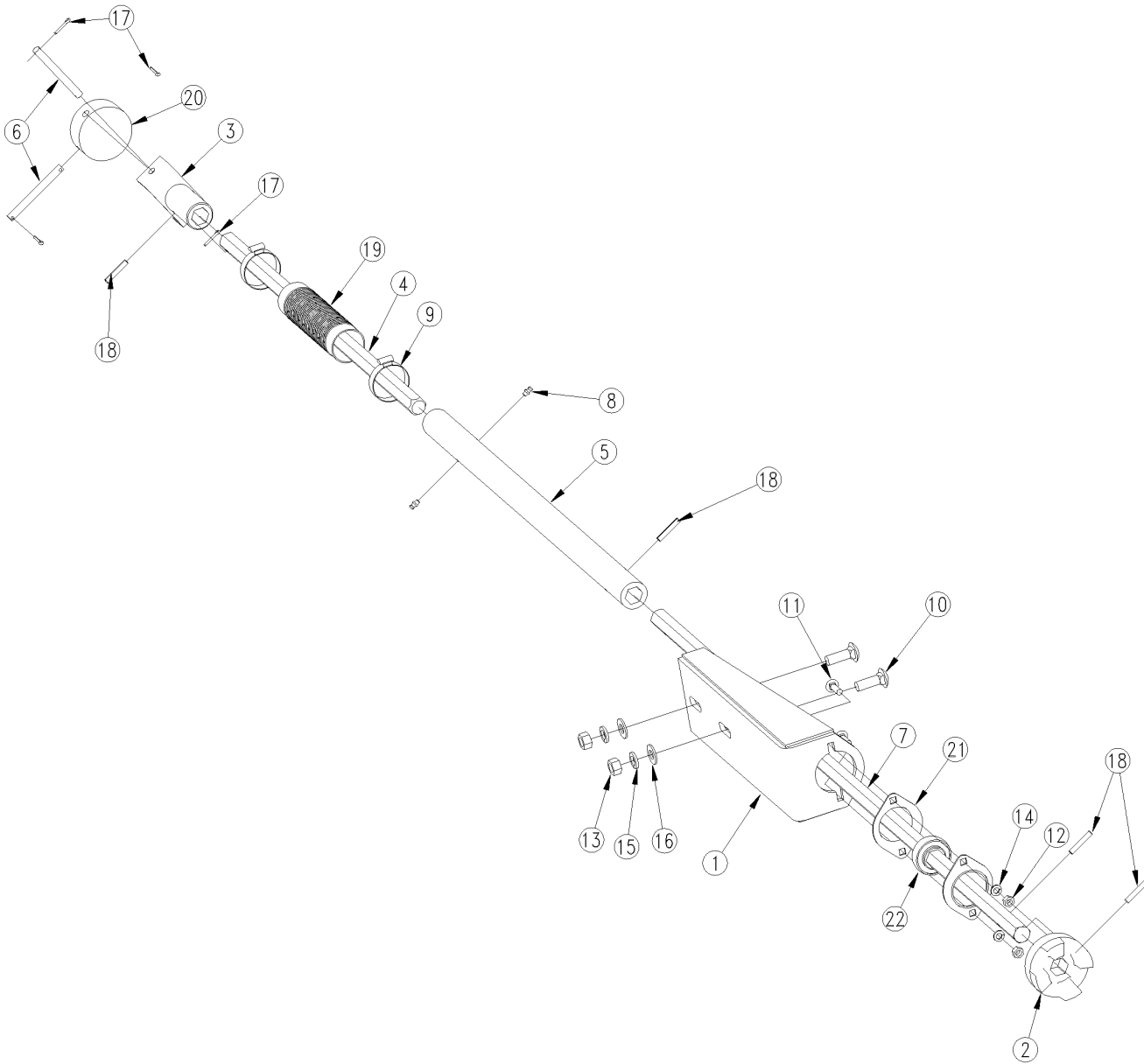
Center Drive (S/N YY1152+)

(Applies to 3S-4000, 3S-4000F only)

Ref	Part No.	Part Description	Comments	Revision
	dwg21262	Image No.		
1.	176-066D	CLUTCH SPRING RETAINER		
2.	195-109D	BRKAWAY CLUTCH 7/8 HX LONG BR		
3.	195-172D	SEED JACKSHAFT 7/8 HEX CENTER		
4.	195-243D	7/8 HEX SPROCKET WASHER		
5.	195-246K	3S-4000 CENTER CLUTCH ASSY		
6.	195-257D	POWER SHAFT 7/8 HEX CENTER		
7.	195-258D	ACRE METER SHAFT		
8.	802-041C	HHCS 1/2-13X3 1/2 GR5		
9.	802-282C	RHSNB 5/16-18X1 GR5		
10.	803-008C	NUT HEX 5/16-18 PLT		
11.	803-036C	NUT HEX JAM 1/2-13 PLT		
12.	804-009C	WASHER LOCK SPRING 5/16 PLT		
13.	804-015C	WASHER LOCK SPRING 1/2 PLT		
14.	804-113C	WASHER FLAT 1/2 USS HARD PLT		
15.	805-180C	PIN ROLL 1/4 X 1 1/2 LG PLT		
16.	805-240C	PIN LINCH 3/16 X 1 9/16 LONG		
17.	807-097C	SPRING COMP 2 1/16 OD X 4 LG		
18.	808-143C	SPKT 40B12 7/8 HEX BORE W/SS		
19.	808-256C	SPKT 40C23 X 7/8 HEX BORE		
20.	808-257C	SPKT 40B34 X 7/8 HEX BORE		
21.	808-258C	SPKT 40B72 X 7/8 HEX BORE		
22.	808-259C	SPKT 40B14 X 7/8 HEX BORE		
23.	817-025C	NO. 40 12T IDLER SPKT.		
24.	822-032C	FLANGETTE 52 MST		
25.	822-119C	BRG 7/8HEXX2.05OD SPH		
26.	891-061C	3S-4000 ACRE METER	(S/N YY1736+)	
26.	891-062C	3S-4000 HECTARE METER	(S/N YY1736+)	
27.	136-111D	CHAIN RL #40 68 PITCHES		
28.	136-122D	CHAIN RL #40 129 PITCHES		
29.	804-061C	WASHER MACH 1.50 X 1.00 X 18GA		
30.	802-413C	HHCS 1/2-13X4 1/2 GR5		
31.	803-169C	NUT HEX FLG. LOCK 1/2-13 PLT.		
32.	168-240D	METER SHAFT SENSOR MNT BRACKET	(S/N YY1192 - YY1735)	
33.	113-271D	SHEAR BUSHING 5/8X.357	(S/N YY1192 - YY1735)	
34.	801-067C	SCREW RD HD 8-32 X 1 1/2LG PLT		
35.	804-088C	WASHER FLAT #8 PLT		
36.	VA-267304	VANSCO ACRE COUNTER PICKUP	(S/N YY1192 - YY1735)	
37.	VA-111005-1	1 MAGNET ACTUATOR 7/8 HEX	(S/N YY1192 - YY1735)	
38.	VA-267000	VANSCO ACRE COUNTER CONSOLE	(S/N YY1192 - YY1735)	
39.	801-172C	SCREW HEX SLT 10-16X3/4PTHD CT		
40.	804-043C	WASHER LOCK #8		
41.	803-064C	NUT HEX 8-32		
42.	823-184C	VANSCO ACRE COUNTER	(S/N YY1192 - YY1735) Includes items 36-38	

Center Drive Breakaway

(Applies to 3S-4000, 3S-4000F only)



18820

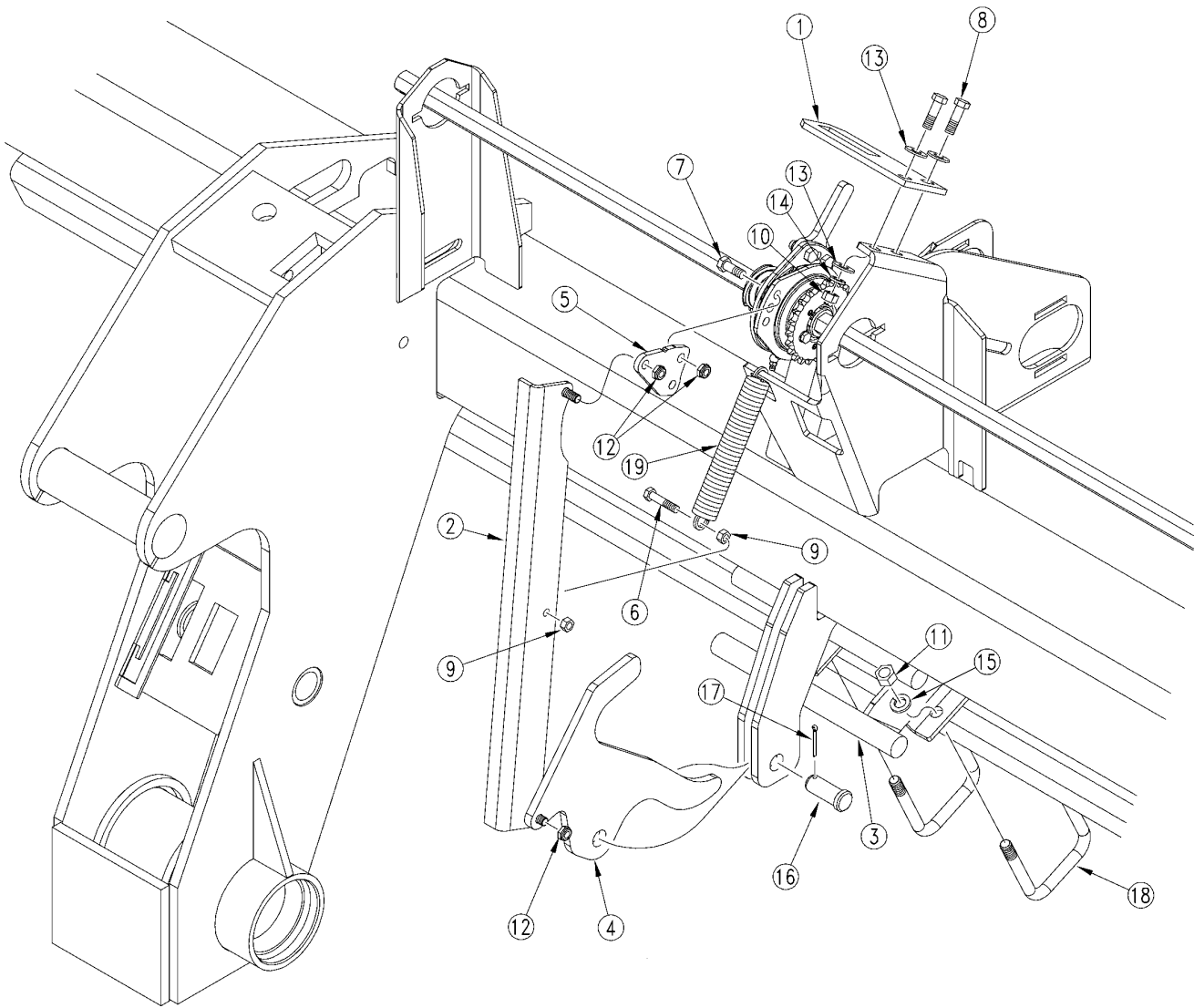
Center Drive Breakaway

(Applies to 3S-4000, 3S-4000F only)

Ref	Part No.	Part Description	Comments	Revision
	dwg18820	Image No.		
1.	194-195H	DRIVE BREAKAWAY BRACKET		
2.	195-108D	BRKAWAY CLUTCH 7/8 HX SHORT BR		
3.	195-129H	U-JOINT YOKE 7/8 HEX BORE		
4.	195-152D	HEX SHFT 7/8TELESCOPING 25 3/4		
5.	195-153D	TELESCOPING TUBE 7/8 HEX BORE		
6.	195-157D	U-JOINT PIN 3/8		
7.	195-256D	HEX SHAFT 7/8 BREAKAWAY		
8.	800-001C	GREASE ZERK STRAIGHT 1/4-28		
9.	800-016C	UPPER FERT HOSE CLAMP		
10.	802-106C	RHSNB 1/2-13X1 1/2 GR5		
11.	802-282C	RHSNB 5/16-18X1 GR5		
12.	803-008C	NUT HEX 5/16-18 PLT		
13.	803-020C	NUT HEX 1/2-13 PLT		
14.	804-009C	WASHER LOCK SPRING 5/16 PLT		
15.	804-015C	WASHER LOCK SPRING 1/2 PLT		
16.	804-016C	WASHER FLAT 1/2 SAE PLT		
17.	805-067C	PIN COTTER 1/8 X 3/4		
18.	805-180C	PIN ROLL 1/4 X 1 1/2 LG PLT		
19.	816-242C	SEED HOSE-BELLOWS 1.75IDX36RIB		
20.	817-273C	U-JOINT NYLATRON CROSS BLOCK		
21.	822-032C	FLANGETTE 52 MST		
22.	822-119C	BRG 7/8HEXX2.05OD SPH		

Clutch Linkage

(Applies to 3S-4000, 3S-4000F only)



18818

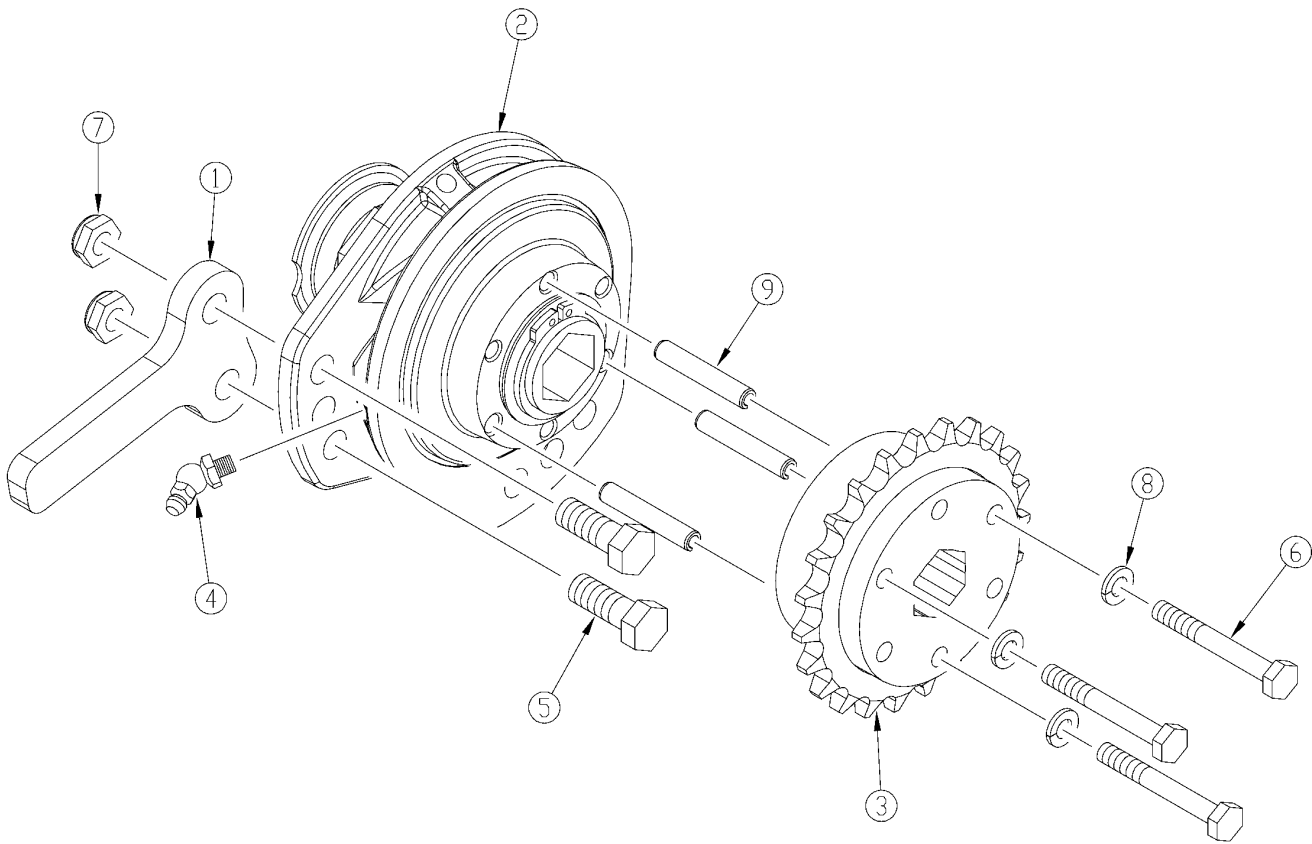
Clutch Linkage

(Applies to 3S-4000, 3S-4000F only)

Ref	Part No.	Part Description	Comments	Revision
	dwg18818	Image No.		
1.	152-263D	CLUTCH ENGAGE TAB		
2.	195-130H	CLUTCH SHUTOFF LINK, 00 SERIES		
3.	195-131H	SUBFRM CLUTCH BRKT,SOLID STAND		
4.	195-144D	CLUTCH SHUTOFF CAM, 00 SERIES		
5.	195-254D	CLUTCH PULL TAB		
6.	802-012C	HHCS 5/16-18X1 1/2 GR5		
7.	802-017C	HHCS 3/8-16X1 GR5		
8.	802-079C	HHCS 3/8-16X1 1/4 GR5		
9.	803-008C	NUT HEX 5/16-18 PLT		
10.	803-014C	NUT HEX 3/8-16 PLT		
11.	803-020C	NUT HEX 1/2-13 PLT		
12.	803-215C	NUT NYLOCK JAM THIN 3/8-16 PLT		
13.	804-011C	WASHER FLAT 3/8 USS PLT		
14.	804-013C	WASHER LOCK SPRING 3/8 PLT		
15.	804-015C	WASHER LOCK SPRING 1/2 PLT		
16.	805-083C	PIN CLEVIS 3/4 X 1 1/2		
17.	805-109C	PIN COTTER 1/8 X 1 1/4 PLT		
18.	806-066C	U-BOLT 1/2-13X3 1/32X4		
19.	807-072C	SPRING EXT 1 1/16 ODX.120WX5.5		

Fertilizer Clutch Center Box Breakdown (195-272K)

(Applies to 3S-4000, 3S-4000F only)



21526

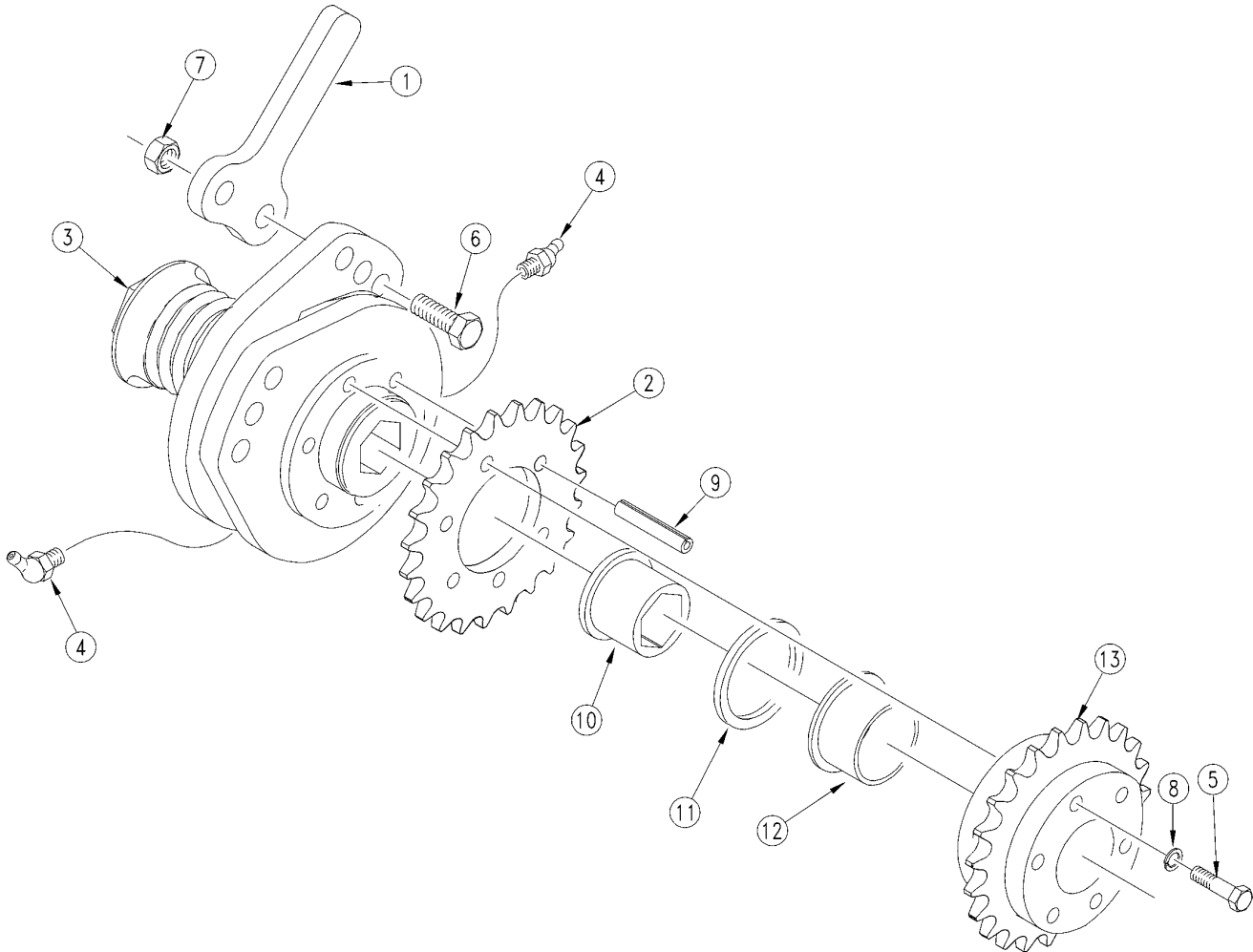
Fertilizer Clutch Center Box Breakdown (195-272K)

(Applies to 3S-4000, 3S-4000F only)

Ref	Part No.	Part Description	Comments	Revision
	dwg21526	Image No.		
1.	152-262D	CLUTCH ENGAGE ARM		
2.	176-042S	JAW CLUTCH CW EXT 7/8 HEX		
3.	195-280H	SPKT CLUTCH 40B23T 7/8HEX BORE		
4.	800-058C	GREASE ZERK 1/4-28 X 45-DEG		
5.	802-017C	HHCS 3/8-16X1 GR5		
6.	802-152C	HHCS 1/4-20X2 GR5		
7.	803-215C	NUT NYLOCK JAM THIN 3/8-16 PLT		
8.	804-006C	WASHER LOCK SPRING 1/4 PLT		
9.	805-180C	PIN ROLL 1/4 X 1 1/2 LG PLT		

Fertilizer Clutch LH/RH Box Breakdown (195-187K)

(Applies to 3S-4000, 3S-4000F only)



16465

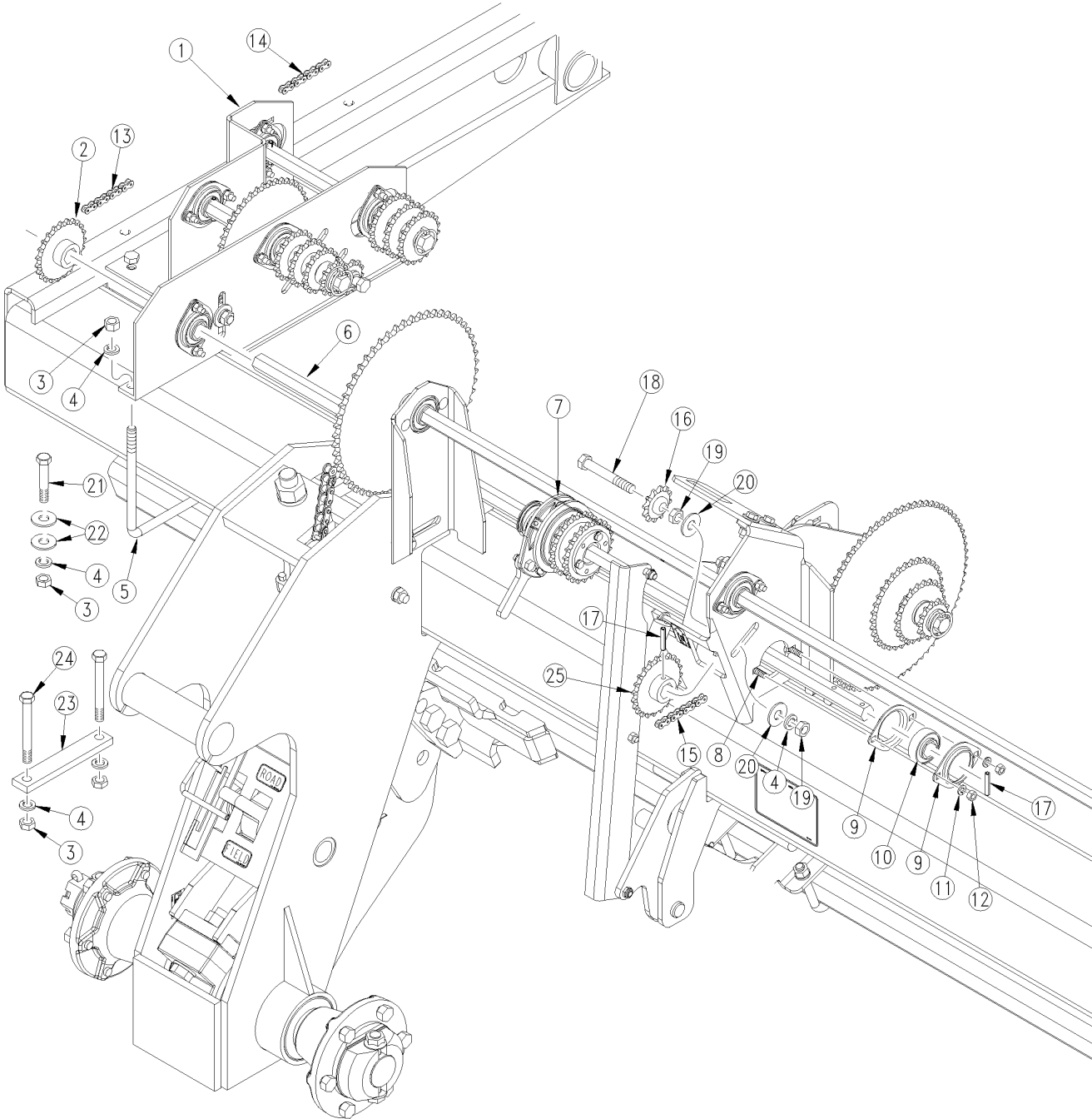
Fertilizer Clutch LH/RH Box Breakdown (195-187K)

(Applies to 3S-4000, 3S-4000F only)

Ref	Part No.	Part Description	Comments	Revision
	dwg16465	Image No.		
1.	152-262D	CLUTCH ENGAGE ARM		
2.	808-240C	SPKT 40A23X1.813-1.818 BR/6HOL		
3.	176-042S	JAW CLUTCH CW EXT 7/8 HEX		
4.	800-058C	GREASE ZERK 1/4-28 X 45-DEG		
5.	802-152C	HHCS 1/4-20X2 GR5		
6.	802-017C	HHCS 3/8-16X1 GR5		
7.	803-215C	NUT NYLOCK JAM THIN 3/8-16 PLT		
8.	804-006C	WASHER LOCK SPRING 1/4 PLT		
9.	805-180C	PIN ROLL 1/4 X 1 1/2 LG PLT		
10.	195-222D	BEARING 7/8 HEX ID X 1.254 OD		
11.	176-065D	CLUTCH FRICTION WASHER		
12.	817-111C	BSHG FLG 1.26IDX1.41ODX.87L		
13.	195-160H	SPKT CLUTCH 40B23T RND BORE		

Fertilizer Drive

(Applies to 3S-4000, 3S-4000F only)



21523

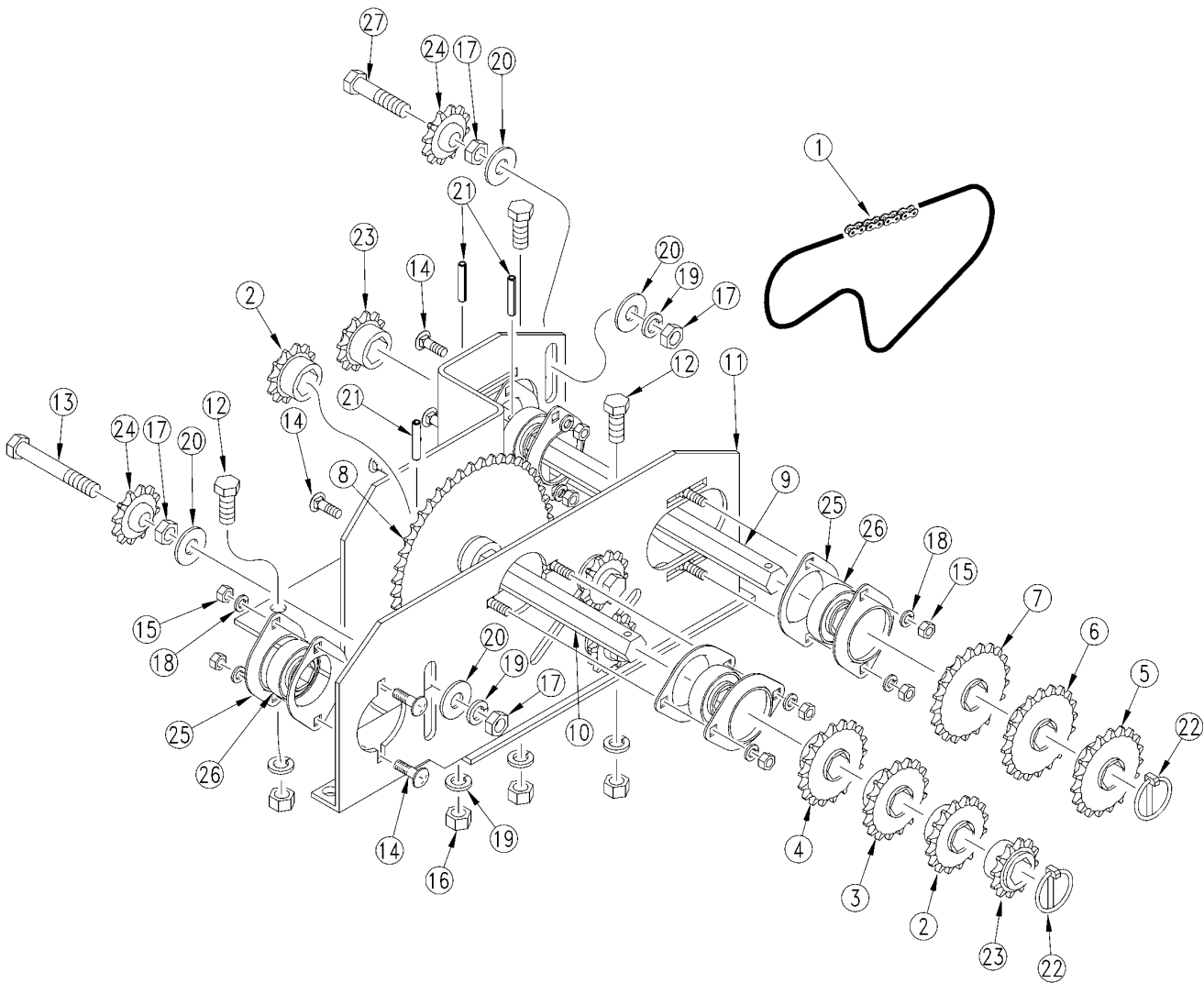
Fertilizer Drive

(Applies to 3S-4000, 3S-4000F only)

Ref	Part No.	Part Description	Comments	Revision
	dwg21523	Image No.		
1.	195-273S	40'-3S FERT DR SUBASSY LH	Refer to "Center Clutch Breakdown (195-246K)"	
2.	808-143C	SPKT 40B12 7/8 HEX BORE W/SS		
3.	803-020C	NUT HEX 1/2-13 PLT		
4.	804-015C	WASHER LOCK SPRING 1/2 PLT		
5.	806-060C	U-BOLT 1/2-13 X 6 1/32 X 7 1/4		
6.	195-271D	HEX SHAFT 7/8,4000 FERT JS RH		
6.	195-270D	HEX SHAFT 7/8,4000 FERT JS CTR		
6.	195-272D	HEX SHAFT 7/8,4000 FERT JS LH		
7.	195-187K	3S-3000F LH WING CLUTCH ASSY	Refer to "Center Clutch Breakdown (195-246K)"	
7.	195-272K	3S-4000F CTR CLUTCH ASSY	Refer to "Center Clutch Breakdown (195-246K)"	
8.	802-282C	RHSNB 5/16-18X1 GR5		
9.	822-032C	FLANGETTE 52 MST		
10.	822-119C	BRG 7/8HEXX2.05OD SPH		
11.	804-009C	WASHER LOCK SPRING 5/16 PLT		
12.	803-008C	NUT HEX 5/16-18 PLT		
13.	136-151D	CHAIN RL #40 59 PITCHES		
14.	136-207D	CHAIN RL #40 109 PITCHES W/CON		
15.	136-064D	CHAIN RL #40 51 PITCHES		
16.	817-025C	NO. 40 12T IDLER SPKT.		
17.	805-180C	PIN ROLL 1/4 X 1 1/2 LG PLT		
18.	802-041C	HHCS 1/2-13X3 1/2 GR5		
19.	803-036C	NUT HEX JAM 1/2-13 PLT		
20.	804-113C	WASHER FLAT 1/2 USS HARD PLT		
21.	802-091C	HHCS 1/2-13X1 1/2 GR5	Left box only	
22.	804-016C	WASHER FLAT 1/2 SAE PLT		
23.	195-007D	RH FERT DRIVE MNT CLAMP PLT	Use with marker only	
24.	802-377C	HHCS 1/2-13X7 1/2 GR5	Use with marker only	
25.	808-256C	SPKT 40C23 X 7/8 HEX BORE		

Fertilizer Drive Subassembly

(Applies to 3S-4000, 3S-4000F only)



21524

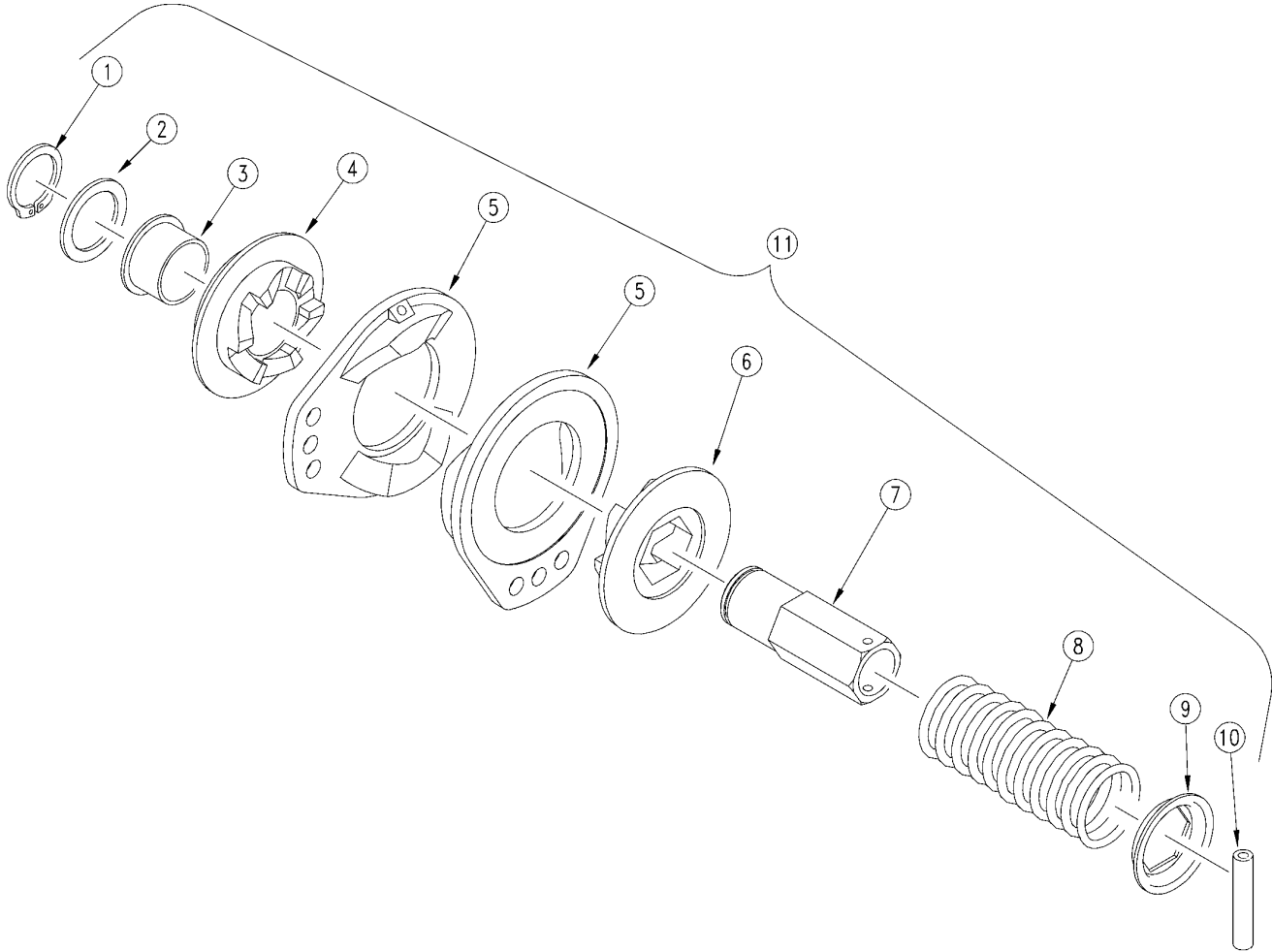
Fertilizer Drive Subassembly

(Applies to 3S-4000, 3S-4000F only)

Ref	Part No.	Part Description	Comments	Revision
	dwg21524	Image No.		
1.	136-027D	CHAIN RL #40 57 PITCHES		
2.	195-153H	SPKT 40B16T X 7/8 HEX BORE		
3.	195-154H	SPKT 40B17T X 7/8 HEX BORE		
4.	195-155H	SPKT 40B18T X 7/8 HEX BORE		
5.	195-156H	SPKT 40B19T X 7/8 HEX BORE		
6.	195-157H	SPKT 40B20T X 7/8 HEX BORE		
7.	195-158H	SPKT 40B21T X 7/8 HEX BORE		
8.	195-159H	SPKT 40B44T X 7/8 HEX BORE		
9.	195-210D	HEX SHAFT 7/8,FERT JACKSHAFT 2		
10.	195-268D	HEX SHAFT 7/8,FERT JACKSHAFT		
11.	195-269H	40'-3S FERT DRIVE WELDMENT RH		
12.	802-034C	HHCS 1/2-13X1 1/4 GR5		
13.	802-041C	HHCS 1/2-13X3 1/2 GR5		
14.	802-282C	RHSNB 5/16-18X1 GR5		
15.	803-008C	NUT HEX 5/16-18 PLT		
16.	803-020C	NUT HEX 1/2-13 PLT		
17.	803-036C	NUT HEX JAM 1/2-13 PLT		
18.	804-009C	WASHER LOCK SPRING 5/16 PLT		
19.	804-015C	WASHER LOCK SPRING 1/2 PLT		
20.	804-113C	WASHER FLAT 1/2 USS HARD PLT		
21.	805-180C	PIN ROLL 1/4 X 1 1/2 LG PLT		
22.	805-240C	PIN LINCH 3/16 X 1 9/16 LONG		
23.	808-260C	SPKT 40B12 X 7/8 HEX BORE		
24.	817-025C	NO. 40 12T IDLER SPKT.		
25.	822-032C	FLANGETTE 52 MST		
26.	822-119C	BRG 7/8HEXX2.05OD SPH		
27.	802-130C	HHCS 1/2-13X2 1/2 GR5		

Jaw Clutch

(Applies to 3S-4000, 3S-4000F only)



10249

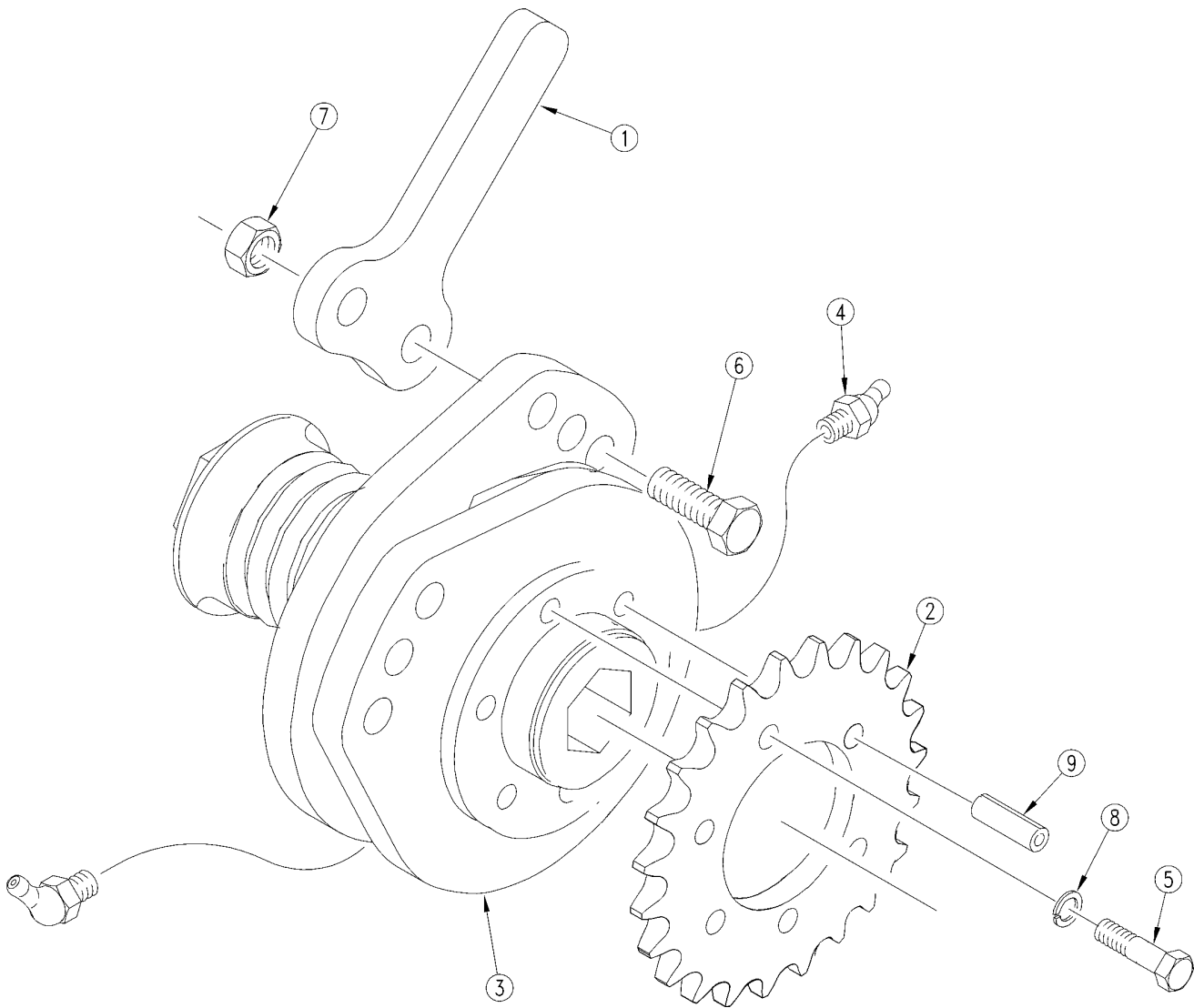
Jaw Clutch

(Applies to 3S-4000, 3S-4000F only)

Ref	Part No.	Part Description	Comments	Revision
	dwg10249	Image No.		
1.	800-177C	SNAP RING EXT 1 1/4 HEAVY		
2.	176-065D	CLUTCH FRICTION WASHER		
3.	817-111C	BSHG FLG 1.26IDX1.41ODX.87L		
4.	176-078D	CLUTCH DRIVE PLATE LONG - CW		
5.	176-080D	CLUTCJ ARM PLATE		
6.	176-076D	CLUTCH SLIDE PLATE - CW		
7.	176-084D	CLUTCH HUB 7/8 HEX BORE		
8.	807-097C	SPRING COMP 2 1/16 OD X 4 LG		
9.	176-066D	CLUTCH SPRING RETAINER		
10.	805-024C	PIN ROLL 3/16X 1 1/2 PLT		
11.	176-042S	JAW CLUTCH CW EXT 7/8 HEX		

Left Hand Clutch Breakdown (195-152K)

(Applies to 3S-4000, 3S-4000F only)



18822

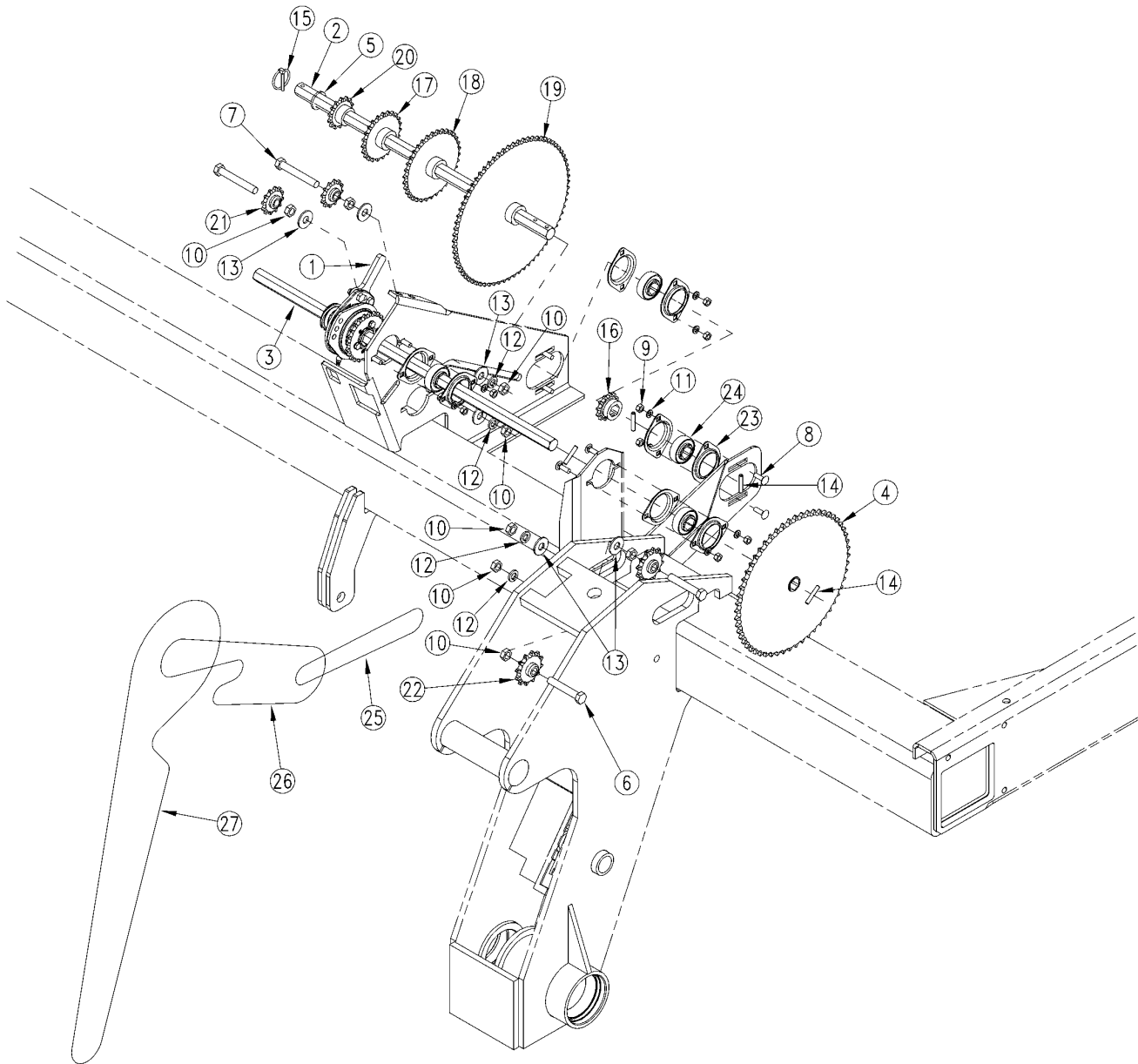
Left Hand Clutch Breakdown (195-152K)

(Applies to 3S-4000, 3S-4000F only)

Ref	Part No.	Part Description	Comments	Revision
	dwg18822	Image No.		
1.	152-262D	CLUTCH ENGAGE ARM		
2.	808-240C	SPKT 40A23X1.813-1.818 BR/6HOL		
3.	176-042S	JAW CLUTCH CW EXT 7/8 HEX		
4.	800-058C	GREASE ZERK 1/4-28 X 45-DEG		
5.	802-004C	HHCS 1/4-20X3/4 GR5		
6.	802-017C	HHCS 3/8-16X1 GR5		
7.	803-215C	NUT NYLOCK JAM THIN 3/8-16 PLT		
8.	804-006C	WASHER LOCK SPRING 1/4 PLT		
9.	805-026C	PIN ROLL 1/4 X 3/4 PLT		

Left Hand Drive (S/N YY1151-)

(Applies to 3S-4000, 3S-4000F only)



18814

Left Hand Drive (S/N YY1151-)

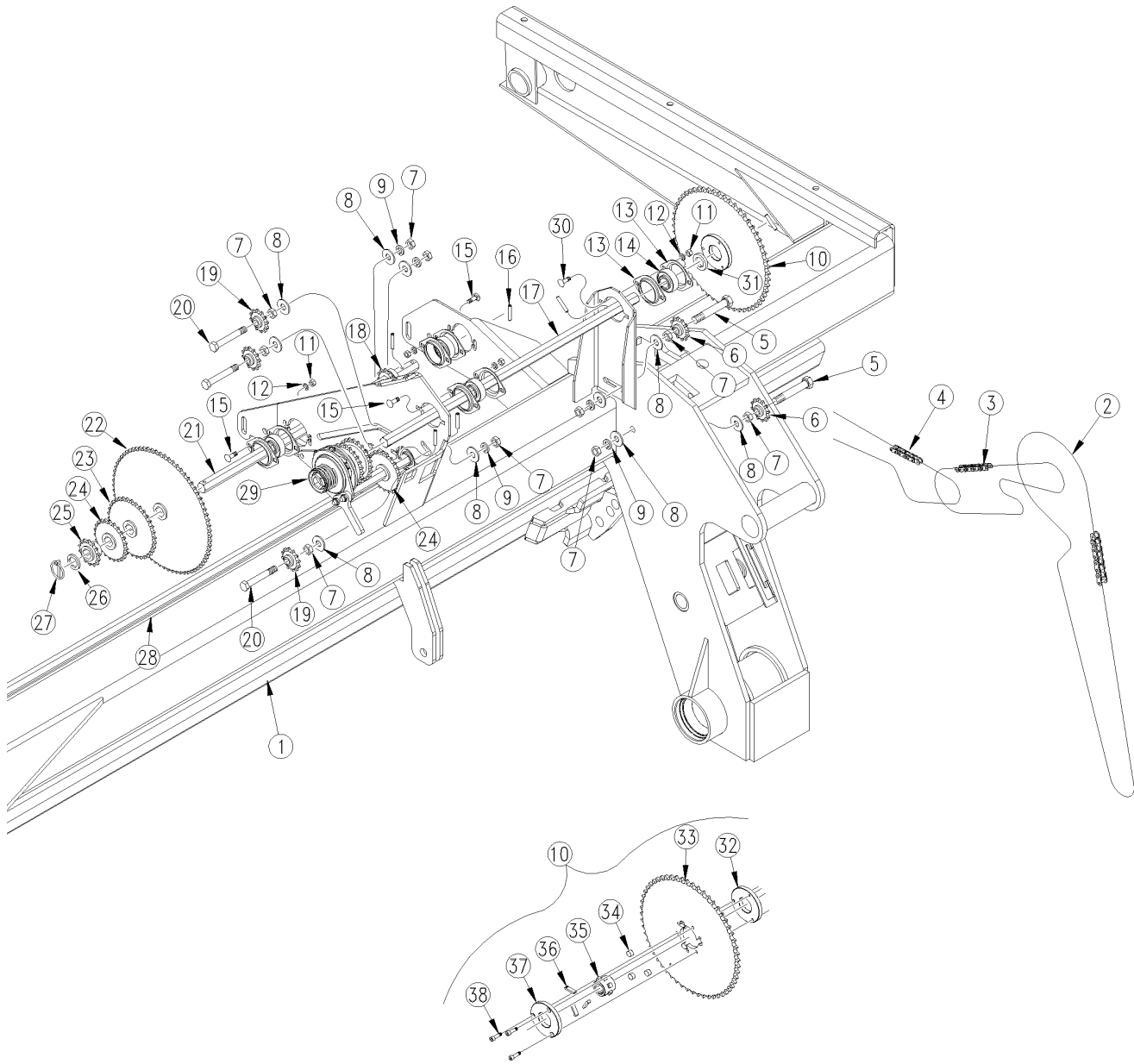
(Applies to 3S-4000, 3S-4000F only)

Ref	Part No.	Part Description	Comments	Revision
	dwg18814	Image No.		
1.	195-152K	3S-3000 LH WING CLUTCH ASSY		
2.	195-172D	SEED JACKSHAFT 7/8 HEX CENTER		
3.	195-189D	POWER SHAFT 7/8 HEX LH		
4.	195-232H	SPKT 50A56 WITH 7/8 HEX HUB		
5.	195-243D	7/8 HEX SPROCKET WASHER	Used only if needed.	
6.	802-039C	HHCS 1/2-13X3 GR5		
7.	802-041C	HHCS 1/2-13X3 1/2 GR5		
8.	802-282C	RHSNB 5/16-18X1 GR5		
9.	803-008C	NUT HEX 5/16-18 PLT		
10.	803-036C	NUT HEX JAM 1/2-13 PLT		
11.	804-009C	WASHER LOCK SPRING 5/16 PLT		
12.	804-015C	WASHER LOCK SPRING 1/2 PLT		
13.	804-113C	WASHER FLAT 1/2 USS HARD PLT		
14.	805-180C	PIN ROLL 1/4 X 1 1/2 LG PLT		
15.	805-240C	PIN LINCH 3/16 X 1 9/16 LONG		
16.	808-143C	SPKT 40B12 7/8 HEX BORE W/SS		
17.	808-256C	SPKT 40C23 X 7/8 HEX BORE		
18.	808-257C	SPKT 40B34 X 7/8 HEX BORE		
19.	808-258C	SPKT 40B72 X 7/8 HEX BORE		
20.	808-259C	SPKT 40B14 X 7/8 HEX BORE		
21.	817-025C	NO. 40 12T IDLER SPKT.		
22.	817-423C	NO. 50 12T IDLER SPKT		
23.	822-032C	FLANGETTE 52 MST		
24.	822-119C	BRG 7/8HEXX2.05OD SPH		
25.	136-111D	CHAIN RL #40 68 PITCHES		
26.	136-122D	CHAIN RL #40 129 PITCHES		
27.	136-173D	CHAIN RL #50 X 161 PITCHES		

[Table of Contents](#) [Part Number Index](#)

Left Hand Drive (S/N YY1152+)

(Applies to 3S-4000, 3S-4000F only)



27446

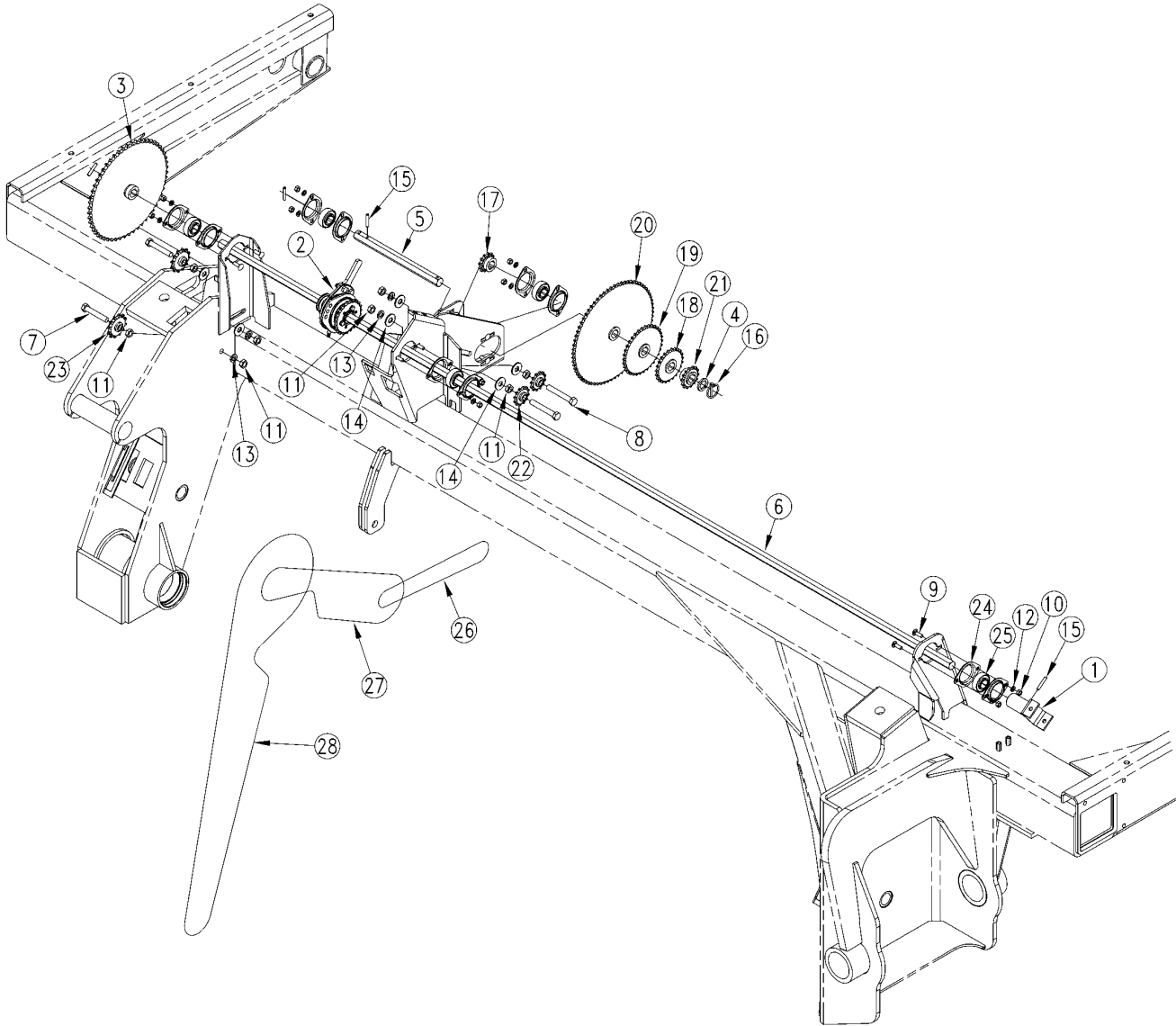
Left Hand Drive (S/N YY1152+)

(Applies to 3S-4000, 3S-4000F only)

Ref	Part No.	Part Description	Comments	Revision
	dwg27446	Image No.		
1.	194-182H	3S-4000 LH WING FRAME	Shown, (S/N YY2839+)	
1.	194-086H	3S-4000 LH WING FRAME EARLY	(S/N YY2838-)	
2.	136-173D	CHAIN RL #50 161 PITCHES		
3.	136-111D	CHAIN RL #40 68 PITCHES		
4.	136-122D	CHAIN RL #40 129 PITCHES		
5.	802-039C	HHCS 1/2-13X3 GR5		
6.	817-423C	NO. 50 12T IDLER SPKT		
7.	803-036C	NUT HEX JAM 1/2-13 PLT		
8.	804-113C	WASHER FLAT 1/2 USS HARD PLT		
9.	804-015C	WASHER LOCK SPRING 1/2 PLT		
10.	195-232H	SPKT 50A56 WITH 7/8 HEX HUB	(S/N YY2531-)	
10.	195-321S	SPKT 50C56 RATCHET DRIVE	(S/N YY2532+) Includes items: 32-38	
11.	803-008C	NUT HEX 5/16-18 PLT		
12.	804-009C	WASHER LOCK SPRING 5/16 PLT		
13.	802-032C	HHCS 1/2-13X3/4 GR5		
14.	822-119C	BRG 7/8HEXX2.05OD SPH		
15.	802-282C	RHSNB 5/16-18X1 GR5		
16.	805-180C	PIN ROLL 1/4 X 1 1/2 LG PLT		
17.	195-189D	POWER SHAFT 7/8 HEX LH	(S/N YY2531-)	
17.	195-375D	POWER SHAFT 7/8 HEX LH	(S/N YY2532+)	
18.	808-143C	SPKT 40B12 7/8 HEX BORE W/SS		
19.	817-025C	NO. 40 12T IDLER SPKT.		
20.	802-041C	HHCS 1/2-13X3 1/2 GR5		
21.	195-172D	SEED JACKSHAFT 7/8 HEX CENTER		
22.	808-258C	SPKT 40B72 X 7/8 HEX BORE		
23.	808-257C	SPKT 40B34 X 7/8 HEX BORE		
24.	808-256C	SPKT 40C23 X 7/8 HEX BORE		
25.	808-259C	SPKT 40B14 X 7/8 HEX BORE		
26.	195-243D	7/8 HEX SPROCKET WASHER		
27.	805-240C	PIN LINCH 3/16 X 1 9/16 LONG		
28.	195-272D	HEX SHAFT 7/8,4000 FERT JS LH		
29.	195-187K	3S-3000F LH WING CLUTCH ASSY		
30.	802-092C	RHSNB 5/16-18X3/4 GR5	(S/N YY2532+)	
31.	195-376D	7/8 HEX WASHER X .21	(S/N YY2532+)	
32.	402-050D	CLUTCH, SIDE PLATE TAPPED		
33.	808-450C	SPKT 50A56 SPECIAL BORE		
34.	402-376D	POLYURETHANE ROD SPRING 5/16 L		
35.	890-954C	HUB RATCHET SPKT #50		
36.	403-751D	KEY RATCHET CLUTCH #50 SPKT		
37.	402-051D	CLUTCH, SIDE PLATE C/BORED		
38.	802-418C	SHCS 1/4-20X7/8		

Right Hand Drive (S/N YY1151-)

(Applies to 3S-4000, 3S-4000F only)



18812

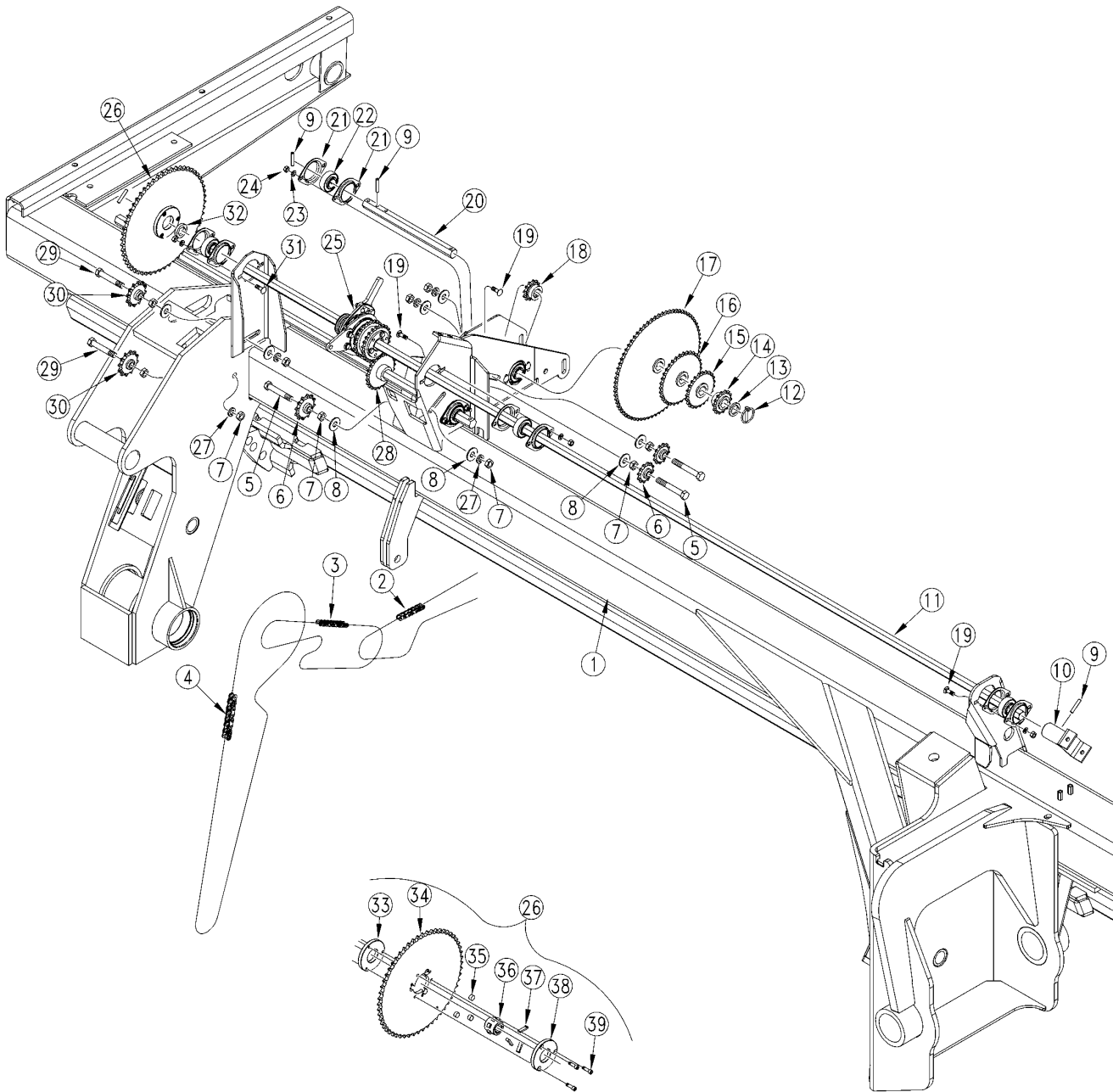
Right Hand Drive (S/N YY1151-)

(Applies to 3S-4000, 3S-4000F only)

Ref	Part No.	Part Description	Comments	Revision
	dwg18812	Image No.		
1.	195-129H	U-JOINT YOKE 7/8 HEX BORE		
2.	195-152K	3S-3000 LH WING CLUTCH ASSY		
3.	195-232H	SPKT 50A56 WITH 7/8 HEX HUB		
4.	195-243D	7/8 HEX SPROCKET WASHER	Used only if needed.	
5.	195-259D	SEED JACK SHAFT 7/8 HEX WING		
6.	195-260D	POWER SHAFT 7/8 HEX RH OUTPUT		
7.	802-039C	HHCS 1/2-13X3 GR5		
8.	802-041C	HHCS 1/2-13X3 1/2 GR5		
9.	802-282C	RHSNB 5/16-18X1 GR5		
10.	803-008C	NUT HEX 5/16-18 PLT		
11.	803-036C	NUT HEX JAM 1/2-13 PLT		
12.	804-009C	WASHER LOCK SPRING 5/16 PLT		
13.	804-015C	WASHER LOCK SPRING 1/2 PLT		
14.	804-113C	WASHER FLAT 1/2 USS HARD PLT		
15.	805-180C	PIN ROLL 1/4 X 1 1/2 LG PLT		
16.	805-240C	PIN LINCH 3/16 X 1 9/16 LONG		
17.	808-143C	SPKT 40B12 7/8 HEX BORE W/SS		
18.	808-256C	SPKT 40C23 X 7/8 HEX BORE		
19.	808-257C	SPKT 40B34 X 7/8 HEX BORE		
20.	808-258C	SPKT 40B72 X 7/8 HEX BORE		
21.	808-259C	SPKT 40B14 X 7/8 HEX BORE		
22.	817-025C	NO. 40 12T IDLER SPKT.		
23.	817-423C	NO. 50 12T IDLER SPKT		
24.	822-032C	FLANGETTE 52 MST		
25.	822-119C	BRG 7/8HEXX2.05OD SPH		
26.	136-111D	CHAIN RL #40 68 PITCHES		
27.	136-122D	CHAIN RL #40 129 PITCHES		
28.	136-173D	CHAIN RL #50 X 161 PITCHES		

Right Hand Drive (S/N YY1152+)

(Applies to 3S-4000, 3S-4000F only)



27474

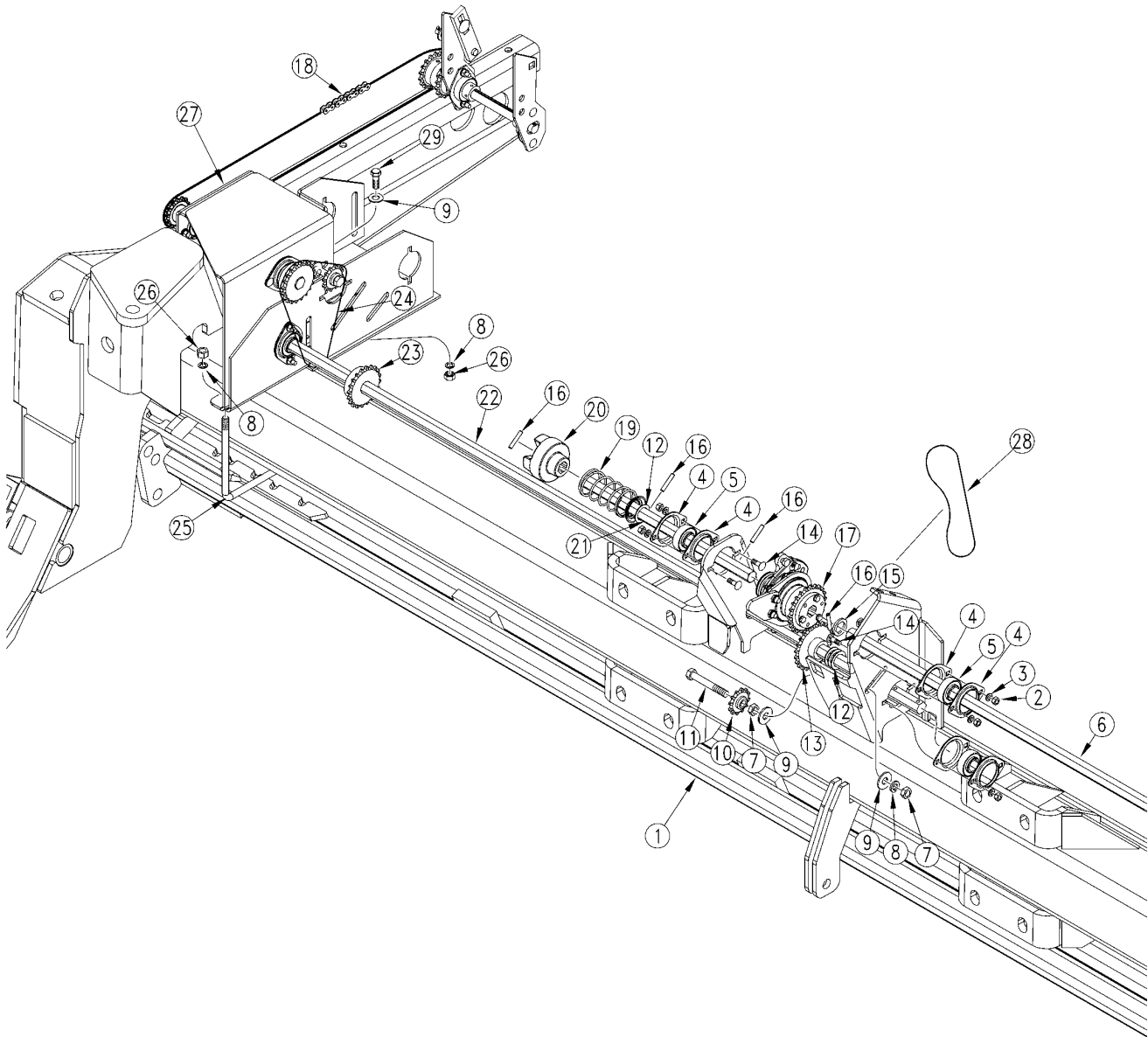
Right Hand Drive (S/N YY1152+)

(Applies to 3S-4000, 3S-4000F only)

Ref	Part No.	Part Description	Comments	Revision
	dwg27474	Image No.		
1.	194-183H	3S-4000 RH WING FRAME	Shown, (S/N YY2839+)	
1.	194-087H	3S-4000 RH WING FRAME EARLY	(S/N YY2838-)	
2.	136-111D	CHAIN RL #40 68 PITCHES		
3.	136-122D	CHAIN RL #40 129 PITCHES		
4.	136-173D	CHAIN RL #50 161 PITCHES		
5.	802-041C	HHCS 1/2-13X3 1/2 GR5		
6.	817-025C	NO. 40 12T IDLER SPKT.		
7.	803-036C	NUT HEX JAM 1/2-13 PLT		
8.	804-113C	WASHER FLAT 1/2 USS HARD PLT		
9.	805-180C	PIN ROLL 1/4 X 1 1/2 LG PLT		
10.	195-129H	U-JOINT YOKE, 7/8 HEX BORE		
11.	195-260D	POWER SHAFT 7/8 HEX RH OUTPUT	(S/N YY2531-)	
11.	195-378D	POWER SHAFT 7/8 HEX RH OUTPUT	(S/N YY2532+)	
12.	805-240C	PIN LINCH 3/16 X 1 9/16 LONG		
13.	195-243D	7/8 HEX SPROCKET WASHER		
14.	808-259C	SPKT 40B14 X 7/8 HEX BORE		
15.	802-256C	HHCS 5/16-18X5 1/2 GR5		
16.	808-257C	SPKT 40B34 X 7/8 HEX BORE		
17.	808-258C	SPKT 40B72 X 7/8 HEX BORE		
18.	808-143C	SPKT 40B12 7/8 HEX BORE W/SS		
19.	802-282C	RHSNB 5/16-18X1 GR5		
20.	195-169D	SEED JACK SHAFT 7/8 HEX WING		
21.	822-032C	FLANGETTE 52 MST		
22.	822-119C	BRG 7/8HEXX2.05OD SPH		
23.	804-009C	WASHER LOCK SPRING 5/16 PLT		
24.	803-008C	NUT HEX 5/16-18 PLT		
25.	195-187K	3S-3000F LH WING CLUTCH ASSY		
26.	195-232H	SPKT 50A56 WITH 7/8 HEX HUB	(S/N YY2531-)	
26.	195-321S	SPKT 50C56 RATCHET DRIVE	(S/N YY2532+) Includes items: 33-39	
27.	804-015C	WASHER LOCK SPRING 1/2 PLT		
28.	808-256C	SPKT 40C23 X 7/8 HEX BORE		
29.	802-039C	HHCS 1/2-13X3 GR5		
30.	817-423C	NO. 50 12T IDLER SPKT		
31.	802-092C	RHSNB 5/16-18X3/4 GR5	(S/N YY2532+)	
32.	195-376D	7/8 HEX WASHER X .21	(S/N YY2532+)	
33.	402-050D	CLUTCH, SIDE PLATE TAPPED		
34.	808-450C	SPKT 50A56 SPECIAL BORE		
35.	402-376D	POLYURETHANE ROD SPRING 5/16 L		
36.	890-954C	HUB RATCHET SPKT #50		
37.	403-751D	KEY RATCHET CLUTCH #50 SPKT		
38.	402-051D	CLUTCH, SIDE PLATE C/BORED		
39.	802-418C	SHCS 1/4-20X7/8		

Small Seeds Drive

(Applies to 3S-4000, 3S-4000F only)



27411

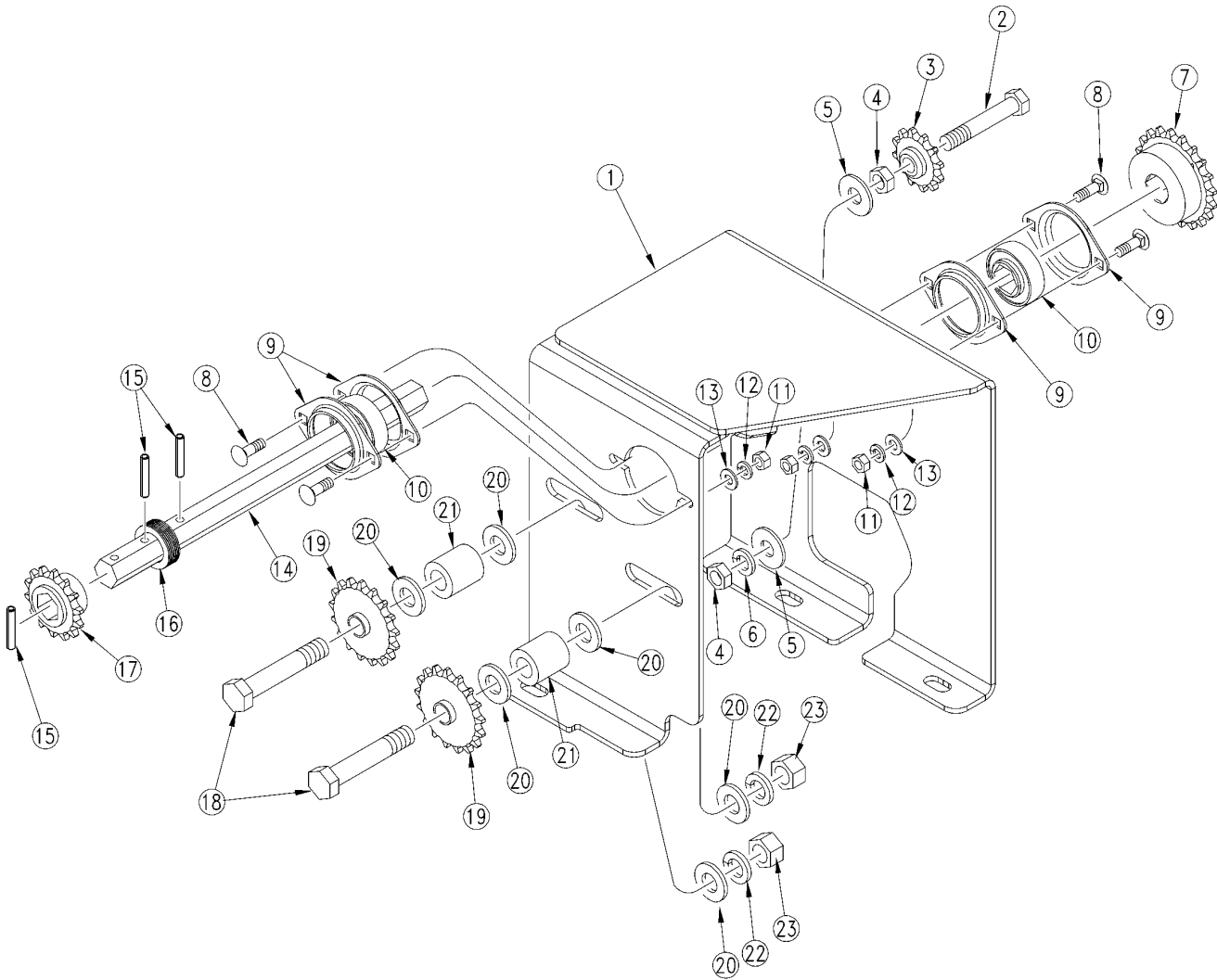
Small Seeds Drive

(Applies to 3S-4000, 3S-4000F only)

Ref	Part No.	Part Description	Comments	Revision
	dwg27411	Image No.		
1.	194-184H	3S-4000 CENTER BOX FRAME		
1.	194-182H	3S-4000 LH WING FRAME		
1.	194-183H	3S-4000 RH WING FRAME		
2.	804-009C	WASHER LOCK SPRING 5/16 PLT		
3.	803-008C	NUT HEX 5/16-18 PLT		
4.	822-032C	FLANGETTE 52 MST		
5.	822-119C	BRG 7/8HEXX2.05OD SPH		
6.	195-258D	ACRE METER SHAFT		
7.	803-036C	NUT HEX JAM 1/2-13 PLT		
8.	804-015C	WASHER LOCK SPRING 1/2 PLT		
9.	804-113C	WASHER FLAT 1/2 USS HARD PLT		
10.	817-025C	NO. 40 12T IDLER SPKT.		
11.	802-041C	HHCS 1/2-13X3 1/2 GR5		
12.	804-061C	WASHER MACH 1.50 X 1.00 X 18GA		
13.	808-256C	SPKT 40C23 X 7/8 HEX BORE		
14.	802-282C	RHSNB 5/16-18X1 GR5		
15.	195-243D	7/8 HEX SPROCKET WASHER		
16.	805-180C	PIN ROLL 1/4 X 1 1/2 LG PLT		
17.	195-272K	3S-4000F CTR CLUTCH ASSY	Refer to "Fertilizer Clutch Center Box Breakdown (195-272K)" for breakdown	
18.	136-154D	CHAIN RL #40 214 PITCHES		
19.	807-097C	SPRING COMP 2 1/16 OD X 4 LG		
20.	195-109D	BRKAWAY CLUTCH 7/8 HX LONG BR		
21.	195-257D	POWER SHAFT 7/8 HEX CENTER		
22.	195-270D	HEX SHAFT 7/8,4000 FERT JS CTR		
23.	808-194C	SPKT 40B22 7/8 HEX BORE & SS		
24.	136-078D	CHAIN RL #40 52 PITCHES		
25.	806-020C	U-BOLT 5/8-11 X 2 1/32 X 3 1/2		
26.	803-020C	NUT HEX 1/2-13 PLT		
27.	133-324K	SML SDS ON FERT JS MNT ASY	Refer to "Small Seeds Drive Subassembly" for breakdown	
28.	136-064D	CHAIN RL #40 51 PITCHES		
29.	802-034C	HHCS 1/2-13X1 1/4 GR5		

Small Seeds Drive Subassembly

(Applies to 3S-4000, 3S-4000F only)



27417

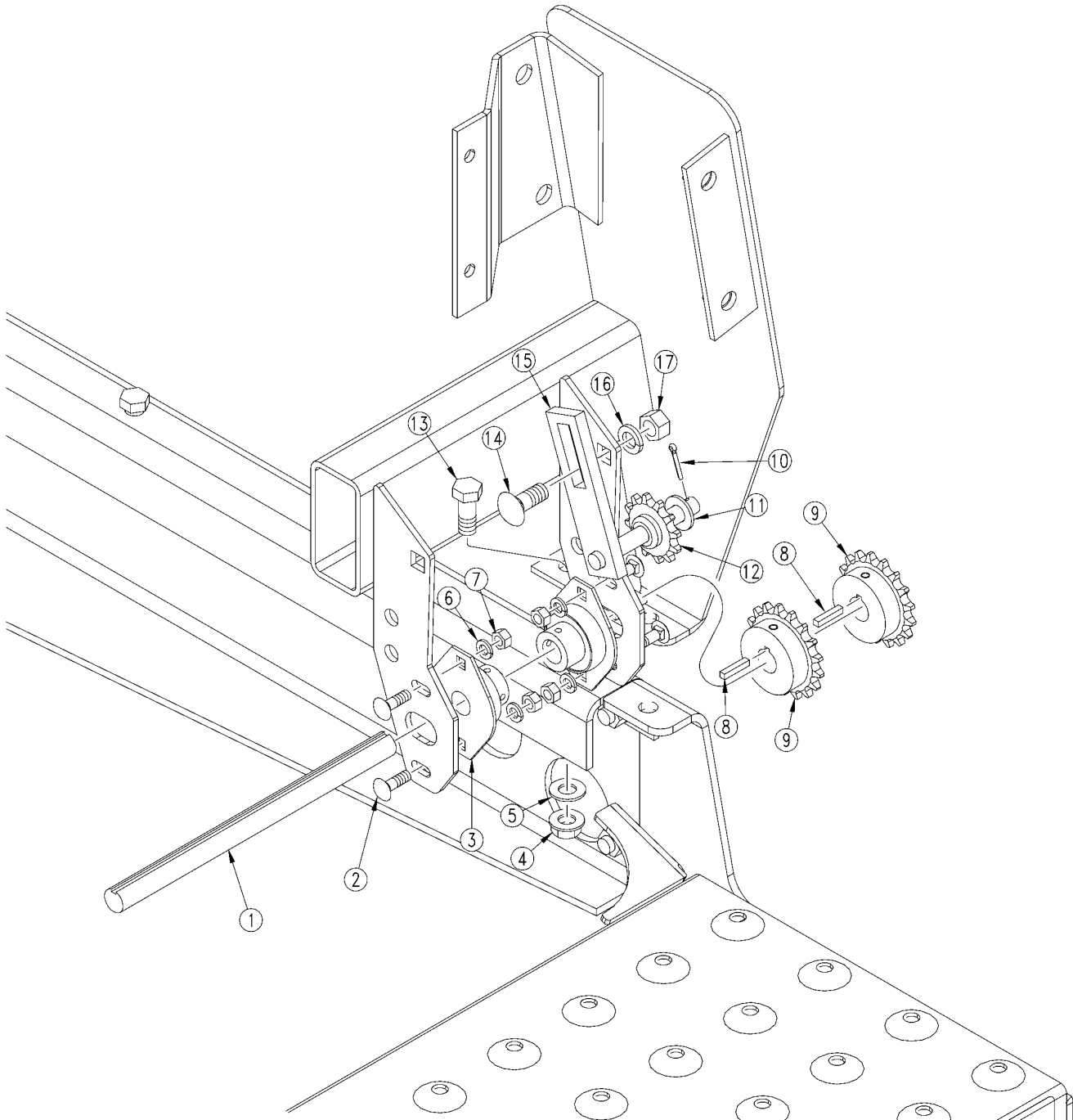
Small Seeds Drive Subassembly

(Applies to 3S-4000, 3S-4000F only)

Ref	Part No.	Part Description	Comments	Revision
	dwg27417	Image No.		
1.	133-323H	SML SDS ON FERT JS MNT WLMT		
2.	802-039C	HHCS 1/2-13X3 GR5		
3.	817-025C	NO. 40 12T IDLER SPKT.		
4.	803-036C	NUT HEX JAM 1/2-13 PLT		
5.	804-113C	WASHER FLAT 1/2 USS HARD PLT		
6.	804-015C	WASHER LOCK SPRING 1/2 PLT		
7.	808-194C	SPKT 40B22 7/8 HEX BORE & SS		
8.	802-282C	RHSNB 5/16-18X1 GR5		
9.	822-032C	FLANGETTE 52 MST		
10.	822-119C	BRG 7/8HEXX2.05OD SPH		
11.	803-008C	NUT HEX 5/16-18 PLT		
12.	804-009C	WASHER LOCK SPRING 5/16 PLT		
13.	804-036C	WASHER FLAT 5/16 SAE PLT		
14.	133-101D	SML SDS ON FERT JS		
15.	805-180C	PIN ROLL 1/4 X 1 1/2 LG PLT		
16.	804-061C	WASHER MACH 1.50 X 1.00 X 18GA		
17.	808-259C	SPKT 40B14 X 7/8 HEX BORE		
18.	802-162C	HHCS 5/8-11X3 1/2 GR5		
19.	808-146C	SPKT 40C29 X 7/8 HEX BORE		
20.	804-095C	WASHER FLAT 5/8 HARD ASTM436		
21.	166-389D	AUGER PIVOT ARM LOCK TUBE		
22.	804-022C	WASHER LOCK SPRING 5/8 PLT		
23.	803-021C	NUT HEX 5/8-11 PLT		

Small Seeds to Drive

(Applies to 3S-4000, 3S-4000F only)



27420

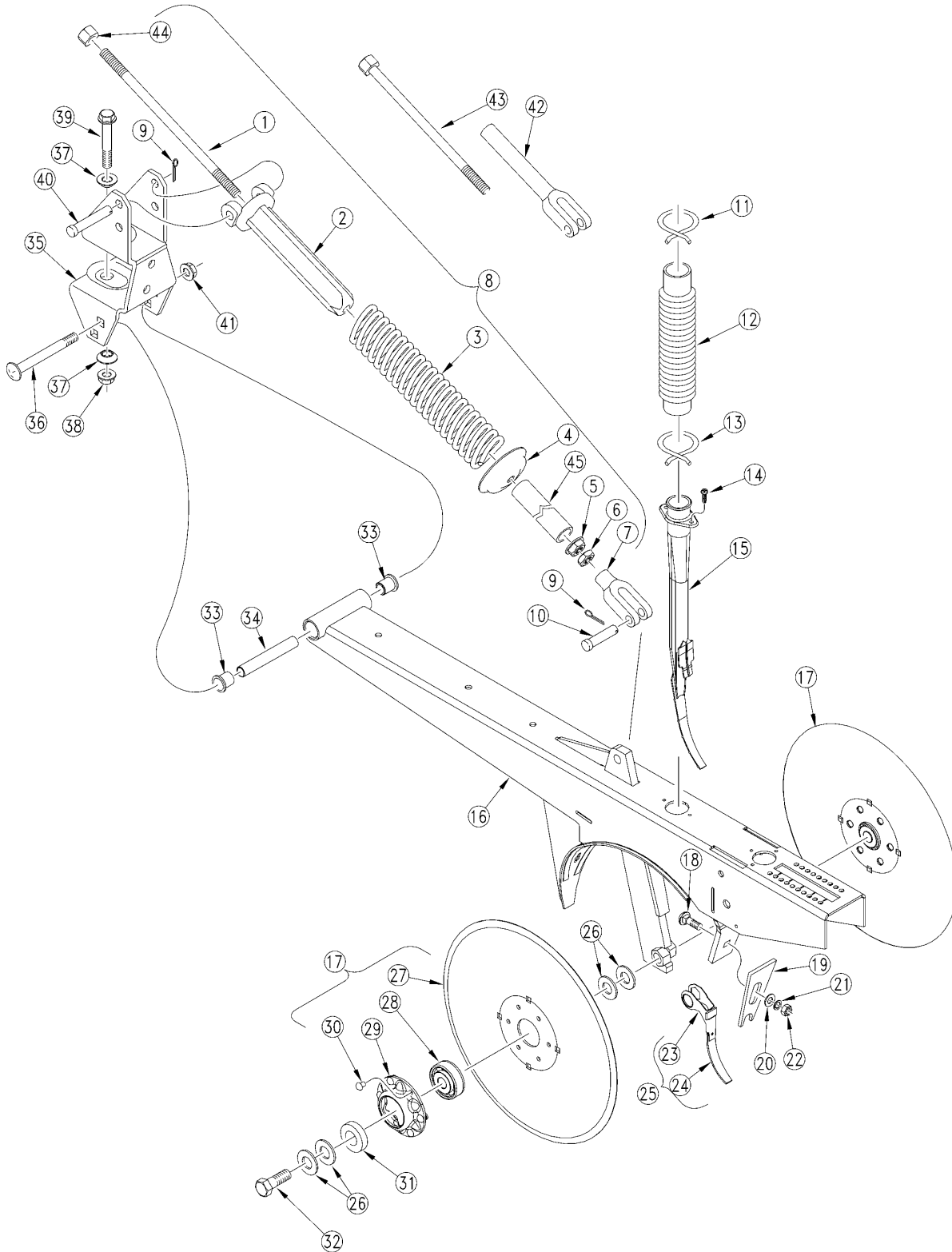
Small Seeds to Drive

(Applies to 3S-4000, 3S-4000F only)

Ref	Part No.	Part Description	Comments	Revision
	dwg27420	Image No.		
1.	133-024D	RND SHAFT 3/4 X 11 W/KW		
2.	802-282C	RHSNB 5/16-18X1 GR5		
3.	822-126C	BRG FLG .75ID 2BOLT		
4.	803-169C	NUT HEX FLG. LOCK 1/2-13 PLT		
5.	804-113C	WASHER FLAT 1/2 USS HARD PLT		
6.	804-009C	WASHER LOCK SPRING 5/16 PLT		
7.	803-008C	NUT HEX 5/16-18 PLT		
8.	168-127D	3/16 X 1 KEY		
9.	808-170C	SPKT 40B17 X 3/4BORE W/KW&SS		
10.	805-067C	PIN COTTER 1/8 X 3/4		
11.	804-016C	WASHER FLAT 1/2 SAE PLT		
12.	817-025C	NO. 40 12T IDLER SPKT.		
13.	802-203C	HFSS 1/2-13X1 1/2 GR5		
14.	802-214C	RHSNB 1/2-13X1 1/4 GR5		
15.	123-832H	SLOTTED IDLER ARM 1/2 X 3 5/16		
16.	804-015C	WASHER LOCK SPRING 1/2 PLT		
17.	803-020C	NUT HEX 1/2-13 PLT		

00 Series Opener

(Applies to 3S-4000, 3S-4000F only)



18787

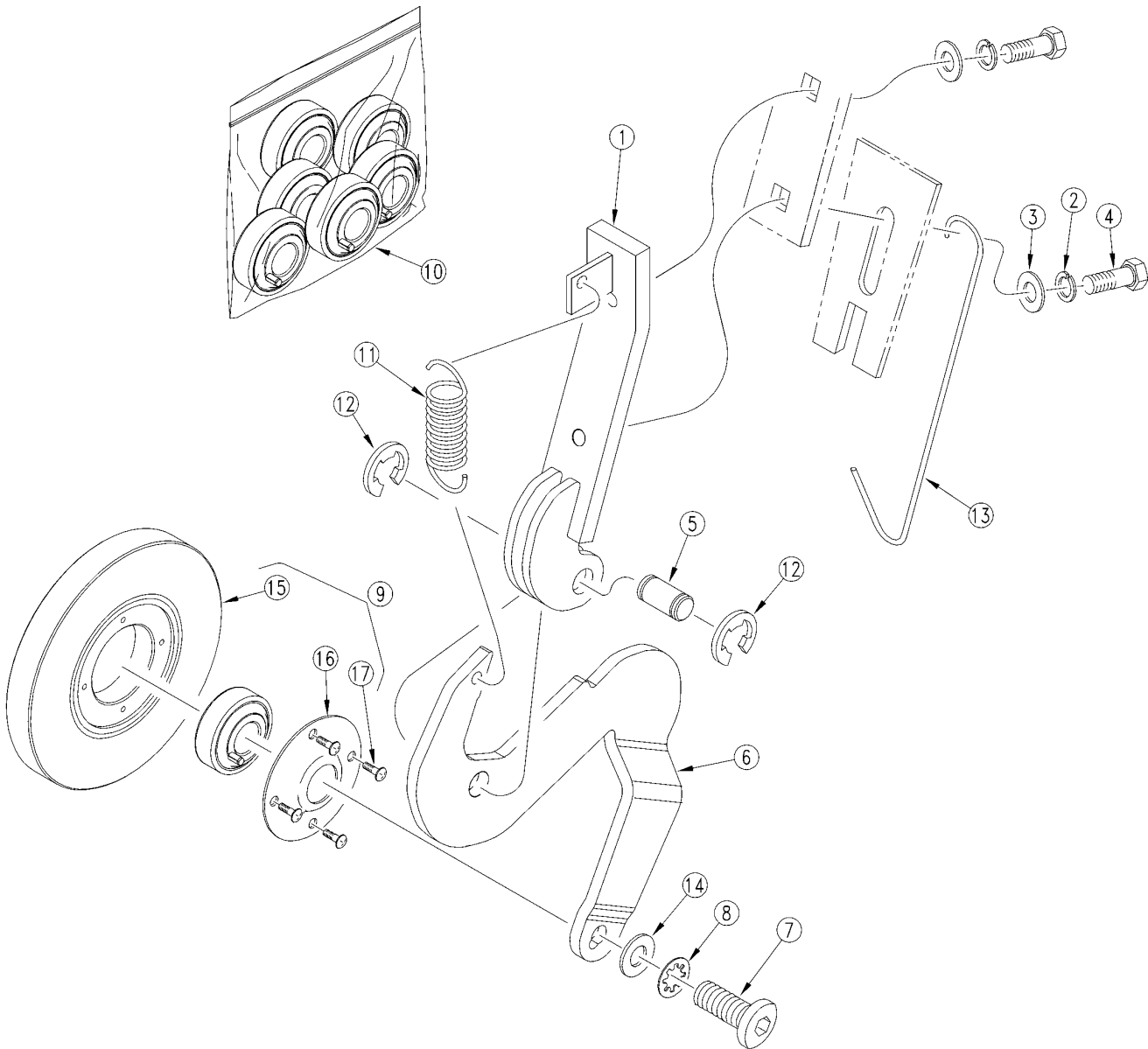
00 Series Opener

(Applies to 3S-4000, 3S-4000F only)

Ref	Part No.	Part Description	Comments	Revision
	dwg18787	Image No.		
1.	800-322C	STUD 1/2-13X17.6 SPTHDBBLEND		
2.	121-167D	RPBY 812-236C		
3.	807-159C	SPRING COMP 2 1/2ODX3/8X12 7/8		
4.	121-154D	SPRING STOP STAMPING		
5.	803-193C	NUT HEX FLANGE 1/2-13 GR G PLT		
6.	803-036C	NUT HEX JAM 1/2-13 PLT		
7.	121-166D	ADJ. YOKE END		
7.	812-245C	ADJUSTABLE YOKE END		
8.	121-762S	OPENER SPRING ROD ASSY. LONG	Includes items 1-7	
8.	121-763S	OPENER SPRING ROD ASSY. SHRT.		
9.	805-109C	PIN COTTER 1/8 X 1 1/4 PLT		
10.	805-127C	PIN CLEVIS 1/2 X 1 3/4		
11.	800-009C	CLAMP HOSE 1 5/8 NO. 26		
12.	816-239C	SEED HOSE 56 RIBS X 11 LONG		
13.	800-008C	CLAMP HOSE 1 1/2 NO. 24		
14.	801-002C	SCREW HEX SLT10-16X1/2P.THDT CT		
15.	817-314C	OPENER SEED TUBE, PLASTIC		
16.	121-702H	OPENER WELDMENT - LONG		
16.	121-703H	OPENER WELDMENT - SHORT		
17.	107-133S	RPBY 107-135S	Includes items 27-30	
18.	802-015C	RHSNB 3/8-16X1 GR5		
19.	107-113D	D.D. SLOTTED SCRAPER		
20.	804-012C	WASHER FLAT 3/8 SAE PLT		
21.	804-013C	WASHER LOCK SPRING 3/8 PLT		
22.	803-014C	NUT HEX 3/8-16 PLT		
23.	121-164D	HEX SEED FLAP MOUNTING CLIP		
24.	816-302C	SEED FLAP, RUBBER, SEED-LOK	Includes items 23,24	
25.	122-242S	SEED FLAP & HEX CLIP, SEEDLOK		
26.	804-040C	WASHER MACH 1.19 X .63 X 18GA		
27.	820-155C	RPBY 820-187C		
28.	188-001V	BEARING AA205DD		
29.	890-466C	HSG RIBB FLG 6BOLT PLT		
30.	800-213C	RIVET,BUTTON HEAD 1/4 X 1/2		
31.	107-111D	DD BRG FLANGE DUST COVER		
32.	802-228C	HHCS 5/8-11X1 1/2 GR5 NYL		
33.	817-084C	PARALLEL ARM PIVOT BUSHING		
34.	142-198D	STRAIGHT ARM OPENER PIVOT PIPE		
35.	121-151D	OPENER MOUNTING BRACKET		
36.	802-121C	RHSNB 1/2-13X5 1/2 GR5		
37.	804-154C	WASHER POWDER METAL CONE 1/2		
38.	803-037C	NUT HEX WHIZ 1/2-13 PLT		
39.	802-045C	HHCS 1/2-13X5 GR5		
40.	805-234C	PIN CLEVIS 1/2 X 4 PLATED		
41.	803-169C	NUT HEX FLG. LOCK 1/2-13 PLT.		
42.	121-152D	RPBY 221-100K	Order kit 221-100K	
43.	802-550C	HHCS 1/2-13X10 SPTHDBBLEND GR8	Order kit 221-100K long opener only	
44.	803-310C	NUT HEX 1/2-20 X 5/8 HIGH		
45.	121-169D	SPACER TB ALUM 1ODX 1/2 X 7.28		

5" & 6" Seed-Lok (Option)

(Applies to 3S-4000, 3S-4000F only)



18793

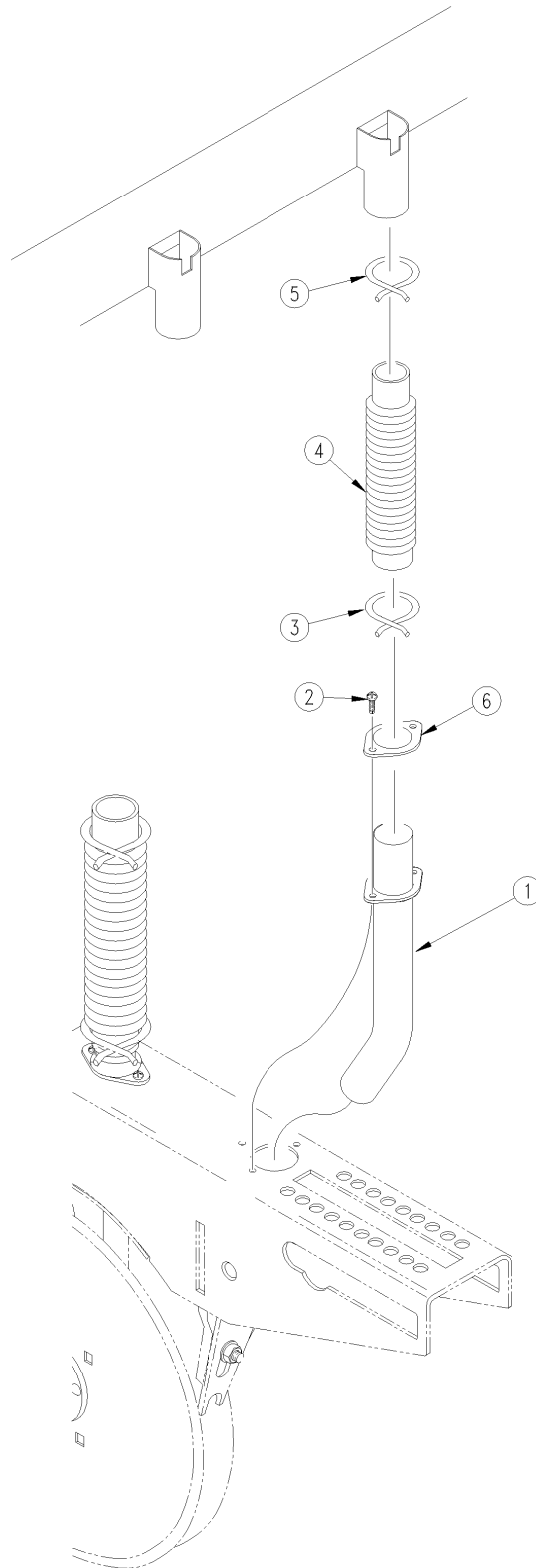
5" & 6" Seed-Lok (Option)

(Applies to 3S-4000, 3S-4000F only)

Ref	Part No.	Part Description	Comments	Revision
	dwg18793	Image No.		
1.	122-173H	SS RMVBL SD-LOK MNT WLDMT		
2.	804-013C	WASHER LOCK SPRING 3/8 PLT		
3.	804-012C	WASHER FLAT 3/8 SAE PLT		
4.	802-017C	HHCS 3/8-16X1 GR5		
5.	122-120D	5 SEED-LOK WHL ARM PIVOT PIN		
6.	122-151D	SEED-LOK ARM (1994)		
7.	801-141C	LHS CP 3/8-16X3/4 GR8 PLATED		
8.	804-078C	WASHER INTERNAL STAR 3/8 PLT.		
9.	122-201S	SD-LK 203 BEARING WHEEL ASSY	5" Seed-lok	
9.	206-014S	6 SEED LOK ASSEMBLY	6" Seed-lok	
10.	122-231A	RPBY 188-008V	Contains six bearings.	
11.	807-101C	SPRING, 1 O.D.X.125WIREX 3 1/2		
12.	800-093C	RING SNAP EXTERNAL "E" 1/2		
13.	800-310C	SEED LOK HANGER SPRING		
14.	804-011C	WASHER FLAT 3/8 USS PLT		
15.	817-134C	5/8 X 5 SEED FIRING WHEEL	5" Seed-lok	
15.	817-191C	5/8 X 6 SEED LOK WHEEL	6" Seed-lok	
16.	816-173C	RETAINER W/BONDED SEAL 4BLT		
17.	801-084C	SCR PH THD FMG #10X1/2 TP ZP		

Fertilizer Hose

(Applies to 3S-4000, 3S-4000F only)



16459

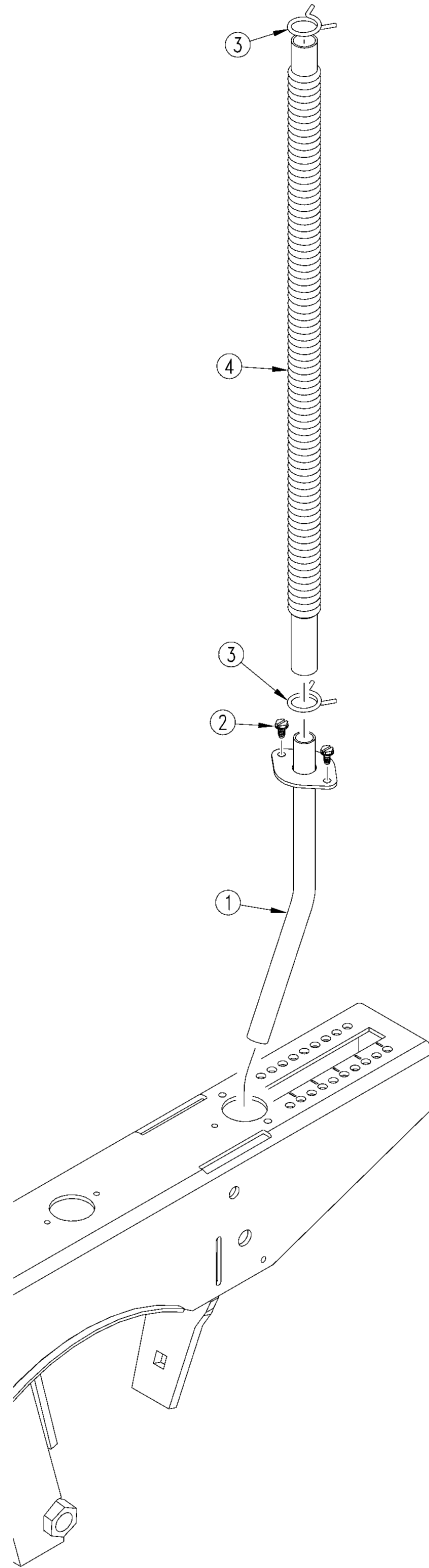
Fertilizer Hose

(Applies to 3S-4000, 3S-4000F only)

Ref	Part No.	Part Description	Comments	Revision
	dwg16459	Image No.		
1.	817-346C	PLASTIC FERTILIZER TUBE		
2.	801-002C	SCREW HEX SLT10-16X1/2P.THD CT		
3.	800-008C	CLAMP HOSE 1 1/2 NO. 24		
4.	816-007C	SEED HOSE X 59 RIBS 1.5-1.25		
5.	800-016C	UPPER FERT HOSE CLAMP		
6.	133-065D	SML SDS TB REINFORCEMENT RING		

Small Seeds Hose

(Applies to 3S-4000, 3S-4000F only)



27002

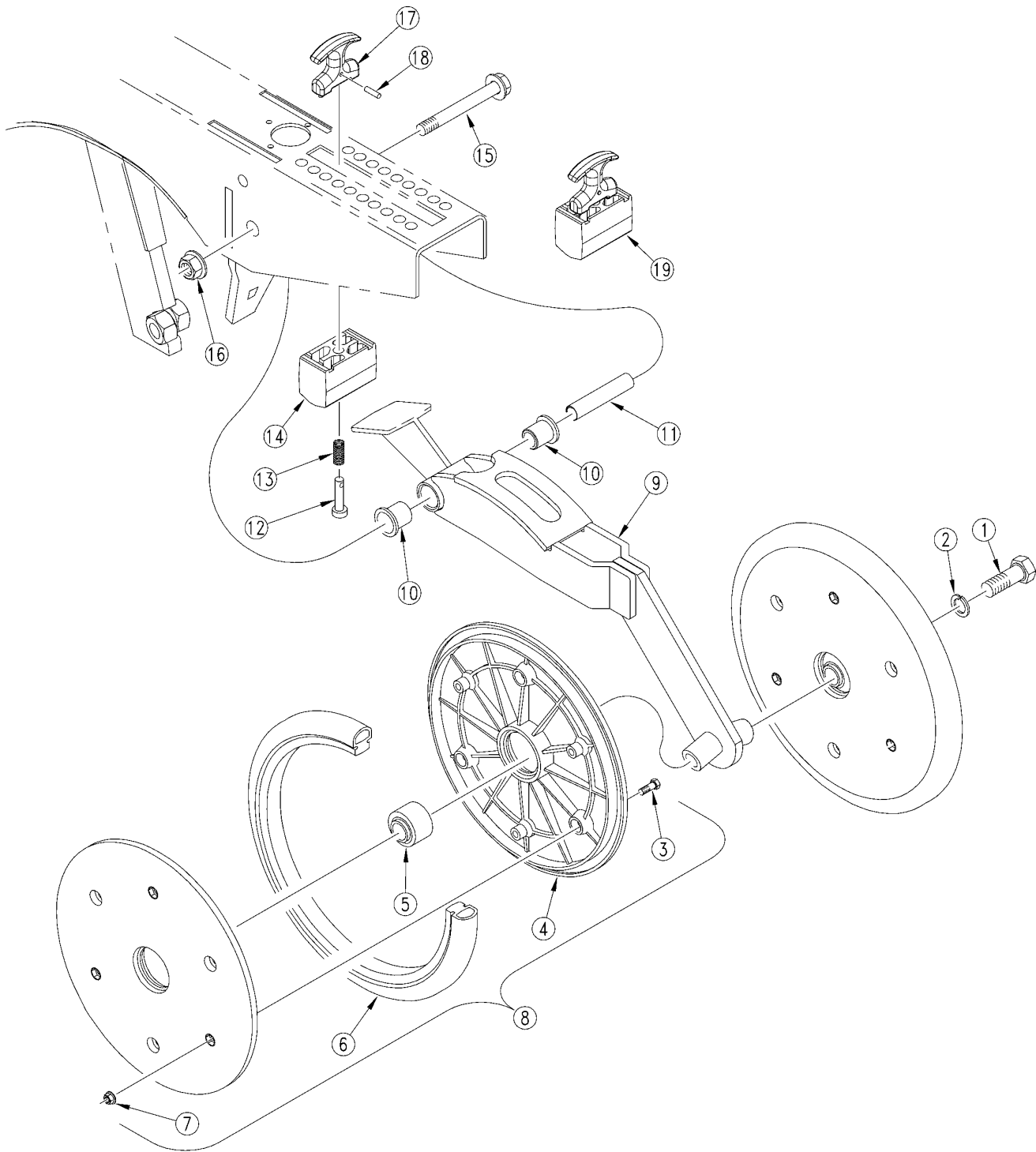
Small Seeds Hose

(Applies to 3S-4000, 3S-4000F only)

Ref	Part No.	Part Description	Comments	Revision
	dwg-27002	Image No.		
1.	123-939H	SMALL SEEDS TUBE WELDMENT		
2.	801-002C	SCREW HEX SLT10-16X1/2P.THD CT		
3.	800-321C	HOSE CLAMP NO.12 3/4 ID		
4.	816-358C	SGS HOSE 122 RIBS		

1" x 12" Double "V" Press Wheel

(Applies to 3S-4000, 3S-4000F only)



17437

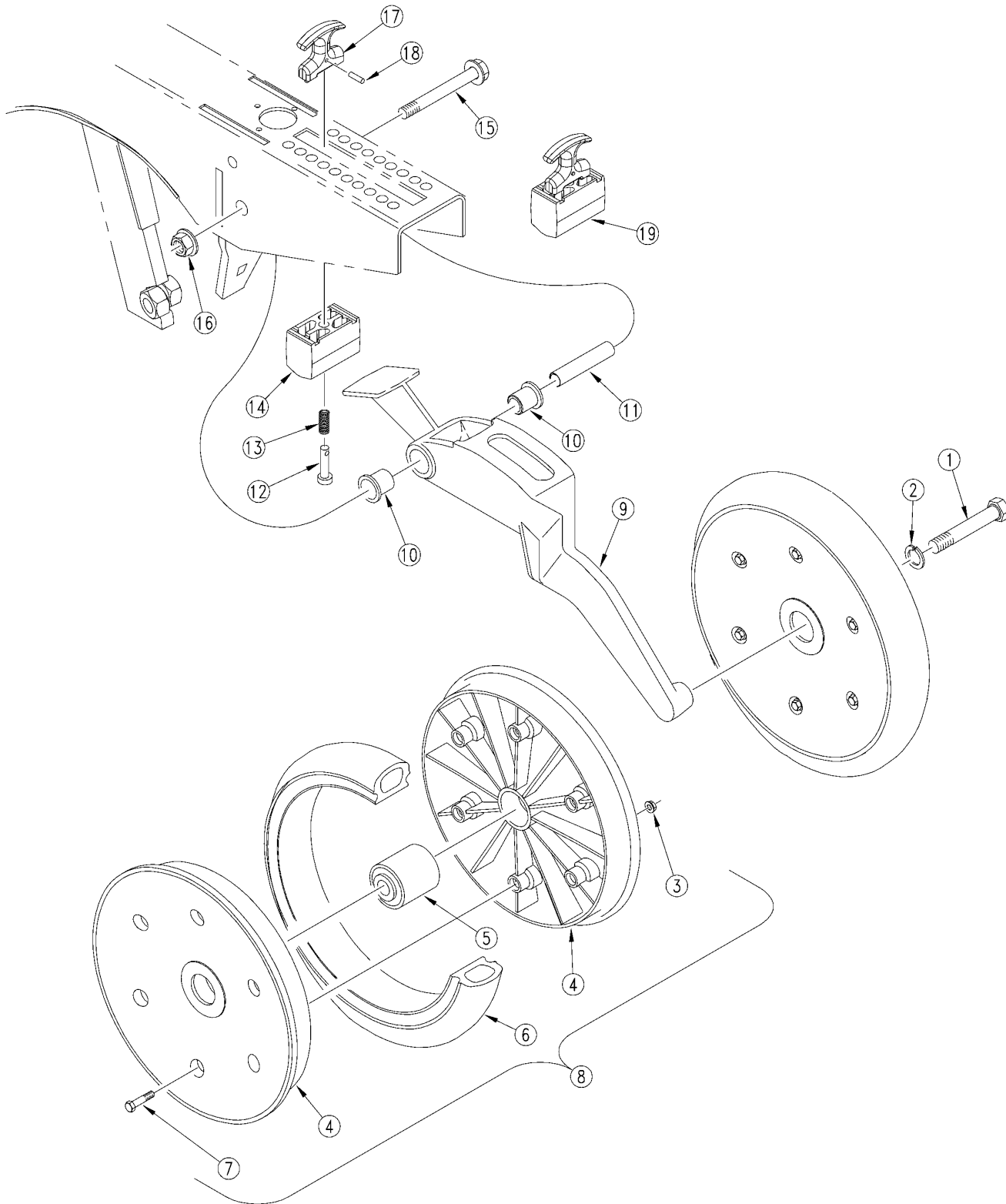
1" x 12" Double "V" Press Wheel

(Applies to 3S-4000, 3S-4000F only)

Ref	Part No.	Part Description	Comments	Revision
	dwg17437	Image No.		
1.	802-058C	HHCS 5/8-11X2 1/2 GR5		
2.	804-022C	WASHER LOCK SPRING 5/8 PLT		
3.	802-005C	HHCS 1/4-20X1 GR5		
4.	817-330C	1 X 12 PRESS WHEEL RIM HALF		
5.	822-170C	BRG .63ID PRESS WHL ASY		
6.	814-034C	TIRE RUBBER 1 X 12		
7.	803-088C	NUT HEX LOCK 1/4-20 FLG		
8.	814-174C	1 X 12 PRESS WHL ASSY-5203BRG		
9.	199-022H	98 1X12 PRESS WHEEL WELDMENT		
10.	817-084C	PARALLEL ARM PIVOT BUSHING		
11.	198-137D	PRESS WHEEL PIVOT TUBE		
12.	805-154C	PIN CLEVIS 3/8 X 2 1/8 USABLE		
13.	807-106C	SPRING .540 O.D.X 1 1/4 X.054W		
14.	817-347C	OPENER TRUNION		
15.	802-421C	HFS 1/2-13X3 3/4 GR5 SPTHD		
16.	803-169C	NUT HEX FLG. LOCK 1/2-13 PLT.		
17.	817-328C	T-HANDLE ASSEMBLY		
18.	805-186C	PIN ROLL 5/32 X 5/8 PLT		
19.	122-202S	PW ADJUSTMENT TRUNNION ASSY	Includes 12-14, 17 & 18.	

2" x 13" Single Press Wheel

(Applies to 3S-4000, 3S-4000F only)



17439

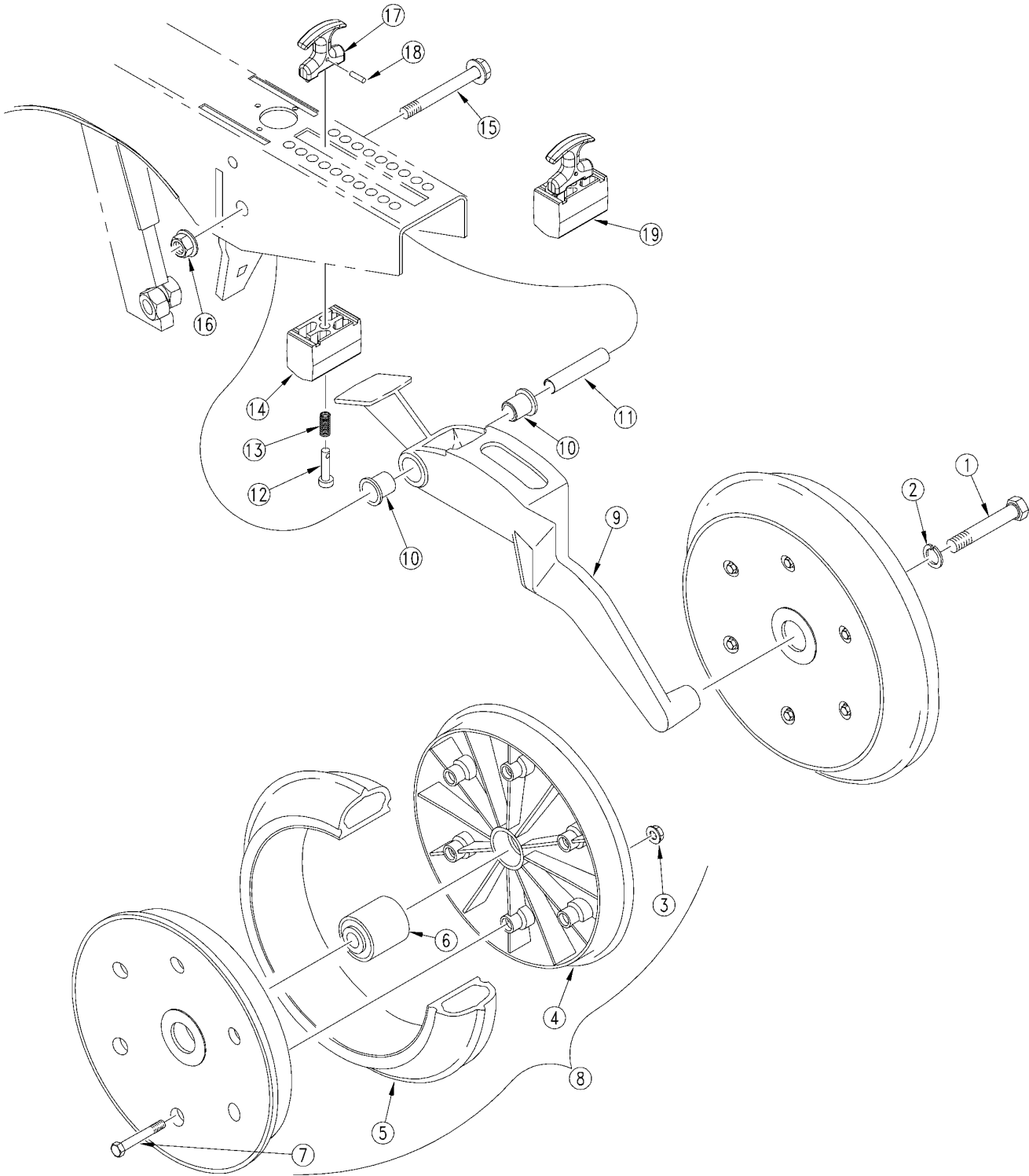
2" x 13" Single Press Wheel

(Applies to 3S-4000, 3S-4000F only)

Ref	Part No.	Part Description	Comments	Revision
	dwg17439	Image No.		
1.	802-058C	HHCS 5/8-11X2 1/2 GR5		
2.	804-022C	WASHER LOCK SPRING 5/8 PLT		
3.	803-088C	NUT HEX LOCK 1/4-20 FLG		
4.	817-296C	2 X 13 PRESS WHEEL RIM HALF		
5.	822-170C	BRG .63ID PRESS WHL ASY		
6.	814-159C	2 X 13 PRESS WHEEL TIRE		
7.	802-617C	HHFS 1/4-20 X 1 1/2 GR 5		
8.	814-157C	2 X 13 PRESS WHEEL ASSEMBLY		
9.	199-042D	UNIVERSAL PW ARM MACH 2&3X13		
10.	817-084C	PARALLEL ARM PIVOT BUSHING		
11.	198-137D	PRESS WHEEL PIVOT TUBE		
12.	805-154C	PIN CLEVIS 3/8 X 2 1/8 USABLE		
13.	807-106C	SPRING .540 O.D.X 1 1/4 X.054W		
14.	817-347C	OPENER TRUNION		
15.	802-421C	HFS 1/2-13X3 3/4 GR5 SPTH		
16.	803-169C	NUT HEX FLG. LOCK 1/2-13 PLT.		
17.	817-328C	T-HANDLE ASSEMBLY		
18.	805-186C	PIN ROLL 5/32 X 5/8 PLT		
19.	122-202S	PW ADJUSTMENT TRUNNION ASSY	Includes 12-14, 17 & 18.	

3" x 13" Single Press Wheel

(Applies to 3S-4000, 3S-4000F only)



17438

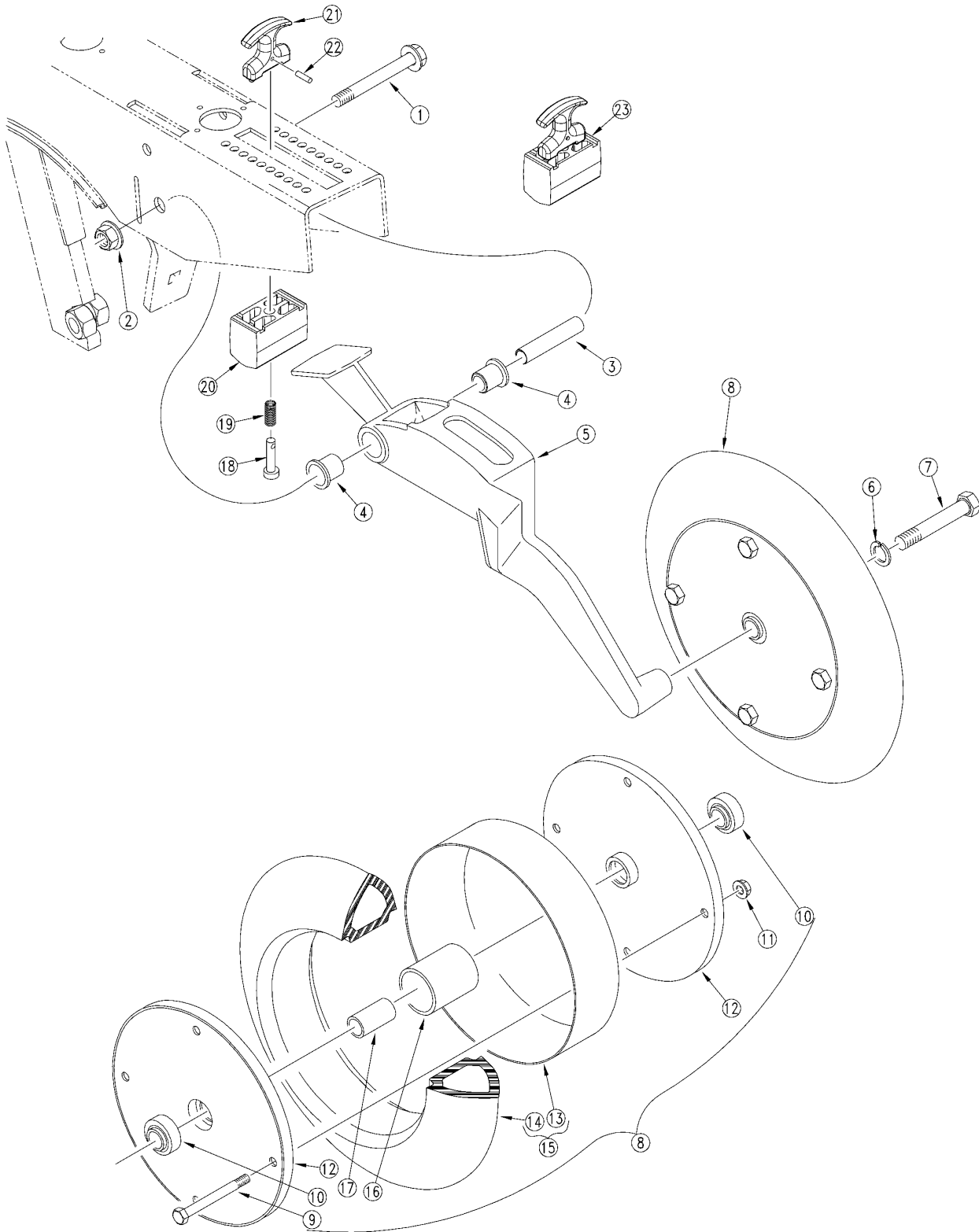
3" x 13" Single Press Wheel

(Applies to 3S-4000, 3S-4000F only)

Ref	Part No.	Part Description	Comments	Revision
	dwg17438	Image No.		
1.	802-058C	HHCS 5/8-11X2 1/2 GR5		
2.	804-022C	WASHER LOCK SPRING 5/8 PLT		
3.	803-088C	NUT HEX LOCK 1/4-20 FLG		
4.	817-297C	3 X 13 PRESS WHEEL RIM HALF		
5.	814-160C	3 X 13 PRESS WHEEL TIRE		
6.	822-170C	BRG .63ID PRESS WHL ASY		
7.	802-618C	HHFS 1/4-20 X 2 GR 5		
8.	814-158C	3 X 13 PRESS WHEEL ASSEMBLY		
9.	199-042D	UNIVERSAL PW ARM MACH 2&3X13		
10.	817-084C	PARALLEL ARM PIVOT BUSHING		
11.	198-137D	PRESS WHEEL PIVOT TUBE		
12.	805-154C	PIN CLEVIS 3/8 X 2 1/8 USABLE		
13.	807-106C	SPRING .540 O.D.X 1 1/4 X.054W		
14.	817-347C	OPENER TRUNION		
15.	802-421C	HFS 1/2-13X3 3/4 GR5 SPTH		
16.	803-169C	NUT HEX FLG. LOCK 1/2-13 PLT.		
17.	817-328C	T-HANDLE ASSEMBLY		
18.	805-186C	PIN ROLL 5/32 X 5/8 PLT		
19.	122-202S	PW ADJUSTMENT TRUNNION ASSY	Includes 12-14, 17 &18.	

3" x 14" Peaked Single Press Wheel

(Applies to 3S-4000, 3S-4000F only)



24435

3" x 14" Peaked Single Press Wheel

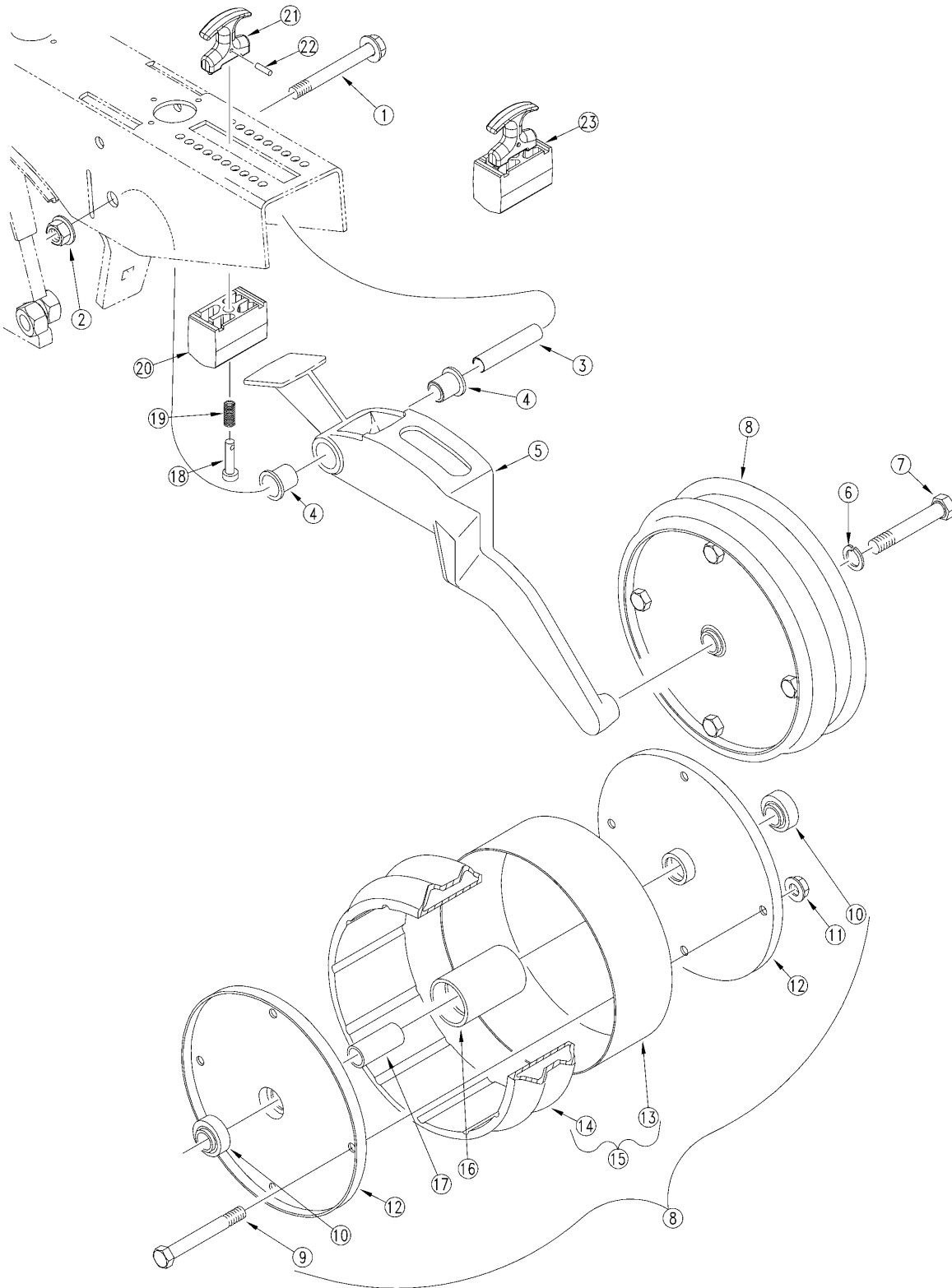
(Applies to 3S-4000, 3S-4000F only)

Ref	Part No.	Part Description	Comments	Revision
	dwg24435	Image No.		
1.	802-421C	HFS 1/2-13X3 3/4 GR5 SPTH		
2.	803-169C	NUT HEX FLG. LOCK 1/2-13 PLT.		
3.	198-137D	PRESS WHEEL PIVOT TUBE		
4.	817-084C	PARALLEL ARM PIVOT BUSHING		
5.	199-030D	3 X 14 PRESS WHEEL ARM		
6.	804-022C	WASHER LOCK SPRING 5/8 PLT		
7.	802-059C	HHCS 5/8-11X3 GR5		
8.	122-117S	3 X 14 PEAKED P.W. ASSEMBLY		
9.	802-197C	HHCS 5/16-18X2 3/4 GR5		
10.	822-095C	BRG INS .63IDX1.57OD DBL LIP		
11.	803-177C	803-184 FLG TP LK 5/16-18ZNYCR		
12.	122-041D	4X12 PW RIM HALF		
13.	817-063C	3 X 14 RIM SPACER RING		
14.	814-067C	3 X 14 PEAKED PRESS WHEEL TIRE		
15.	122-198V	3 X 14 TIRE & RING ASSEMBLY		
16.	817-062C	LARGE SPACER TUBE		
17.	122-110D	SMALL SPACER TUBE		
18.	805-154C	PIN CLEVIS 3/8 X 2 1/8 USABLE		
19.	807-106C	SPRING .540 O.D.X 1 1/4 X.054W		
20.	817-347C	OPENER TRUNION		
21.	817-328C	T-HANDLE ASSEMBLY		
22.	805-186C	PIN ROLL 5/32 X 5/8 PLT		
23.	122-202S	PW ADJUSTMENT TRUNNION ASSY	Includes 12-14, 17 & 18	

[Table of Contents](#) [Part Number Index](#)

4" x 12" Double Ribbed Single Press Wheel

(Applies to 3S-4000, 3S-4000F only)



24436

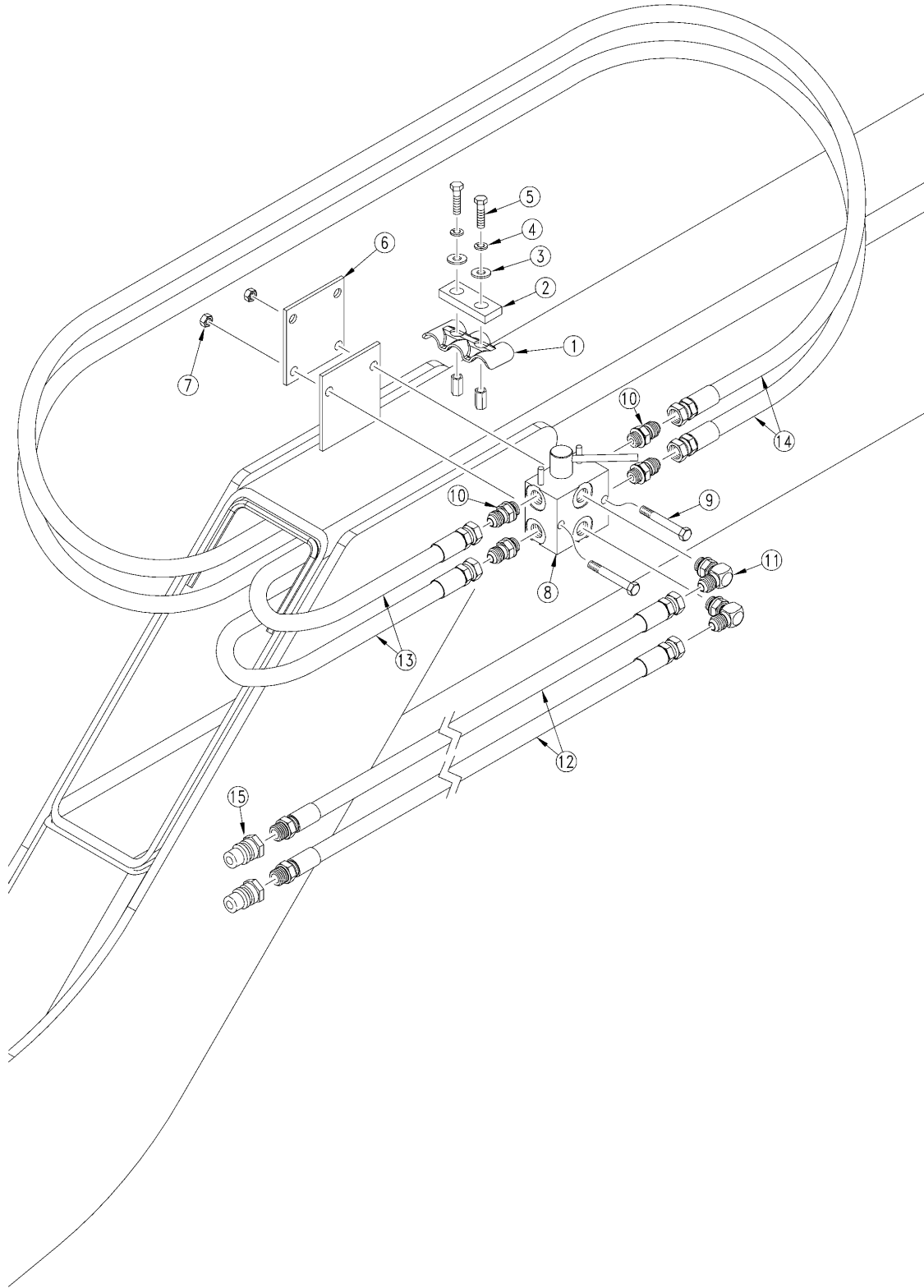
4" x 12" Double Ribbed Single Press Wheel

(Applies to 3S-4000, 3S-4000F only)

Ref	Part No.	Part Description	Comments	Revision
	dwg24436	Image No.		
1.	802-421C	HFS 1/2-13X3 3/4 GR5 SPTHD		
2.	803-169C	NUT HEX FLG. LOCK 1/2-13 PLT.		
3.	198-137D	PRESS WHEEL PIVOT TUBE		
4.	817-084C	PARALLEL ARM PIVOT BUSHING		
5.	199-031D	4 X 12 PRESS WHEEL ARM		
6.	804-022C	WASHER LOCK SPRING 5/8 PLT		
7.	802-151C	HHCS 5/8-11X4 1/4 GR5		
8.	122-103S	4X12 V-GROOVE PRESS WHL ASSY		
9.	802-119C	HHCS 5/16-18X3 3/4 GR5		
10.	822-095C	BRG INS .63IDX1.57OD DBL LIP		
11.	803-177C	803-184 FLG TP LK 5/16-18ZNYCR		
12.	122-041D	4X12 PW RIM HALF		
13.	817-023C	4 X 12 RIM SPACER RING		
14.	814-010C	TIRE PW 4 X 12		
15.	122-197V	4X12 V-GROOVE TIRE & RING ASSY		
16.	817-022C	4 X 12 LARGE SPREADER TUBE		
17.	122-094D	4X12 SMALL SPREADER TUBE-SHORT		
18.	805-154C	PIN CLEVIS 3/8 X 2 1/8 USABLE		
19.	807-106C	SPRING .540 O.D.X 1 1/4 X.054W		
20.	817-347C	OPENER TRUNION		
21.	817-328C	T-HANDLE ASSEMBLY		
22.	805-186C	PIN ROLL 5/32 X 5/8 PLT		
23.	122-202S	PW ADJUSTMENT TRUNNION ASSY	Includes 18-22	

Double Selector Valve Mounting

(Applies to 3S-4000, 3S-4000F only)



27020

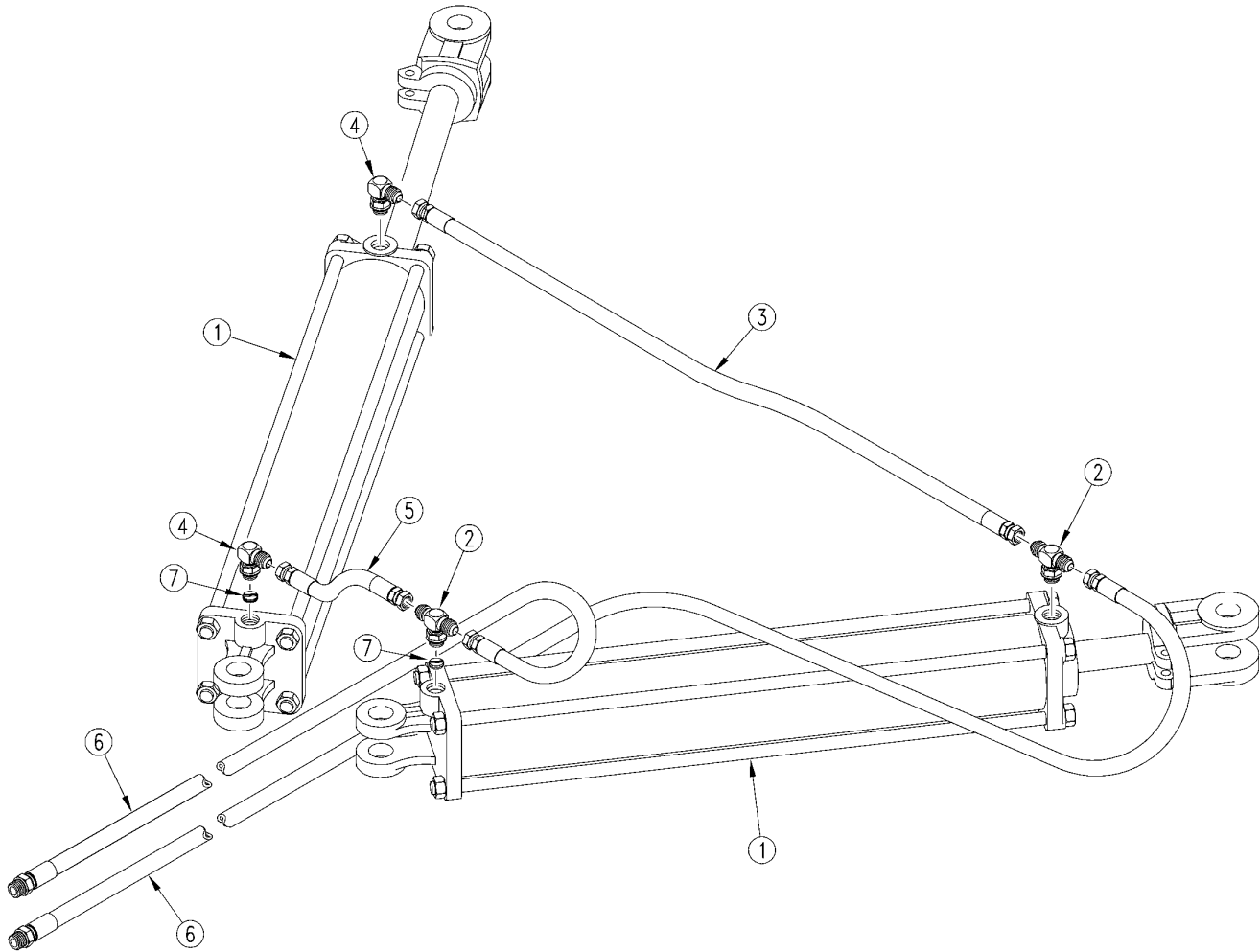
Double Selector Valve Mounting

(Applies to 3S-4000, 3S-4000F only)

Ref	Part No.	Part Description	Comments	Revision
	dwg27020	Image No.		
1.	196-146D	3-HOSE CLAMP BRACKET		
2.	196-885D	HOSE CLAMP HOLDDOWN		
3.	804-010C	WASHER FLAT 5/16 USS PLT		
4.	804-009C	WASHER LOCK SPRING 5/16 PLT		
5.	802-010C	HHCS 5/16-18X1 1/4 GR5		
6.	194-249D	BRACKET, 2ND SELECTOR VALVE		
7.	803-013C	NUT LOCK 3/8-16 PLT		
8.	810-274C	DOUBLE SELECTOR VALVE 3/4FORB		
9.	802-168C	HHCS 3/8-16X3 1/4 GR5		
10.	811-021C	AD 1/2FNPTS 3/4MORB		
11.	811-063C	EL 3/4MJIC 3/4MORB		
12.	811-272C	HH1/2R2 096 3/4MORB 3/4FJIC		
13.	811-181C	HH1/4R1 405 1/2MNPT 9/16FJIC		
14.	811-585C	HH3/8R1 408 1/2MNPT 9/16FJIC		
15.	811-394C	CP 3/4FORB MALE QD POPPET TYPE		

Fold Hydraulics

(Applies to 3S-4000, 3S-4000F only)



15473

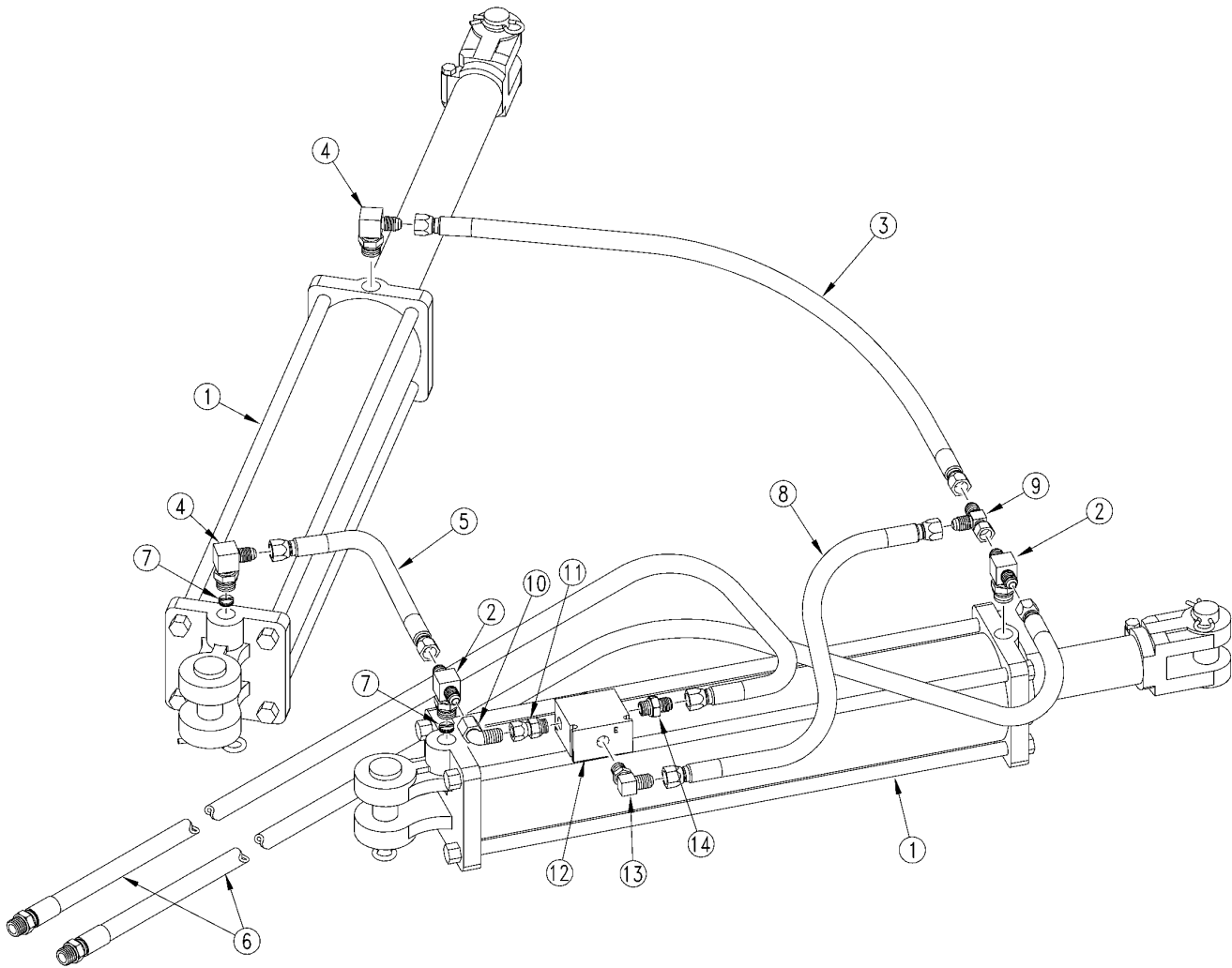
Fold Hydraulics

(Applies to 3S-4000, 3S-4000F only)

Ref	Part No.	Part Description	Comments	Revision
	dwg15473	Image No.		
1.	810-421C	CYL 4X20X 2 ROD (TIE ROD)		
2.	811-470C	TE 9/16MJIC 3/4MORB 9/16MJIC		
3.	811-574C	HH1/4R1 040 9/16FJIC		
4.	811-171C	EL 3/4MORB 9/16MJIC		
5.	811-057C	HH1/4R2 020 9/16FJIC		
6.	811-181C	HH1/4R1 405 1/2MNPT 9/16FJIC		
7.	811-490C	RPBY 196-429D		

Fold Hydraulics With Check Valve

(Applies to 3S-4000, 3S-4000F only)



25012

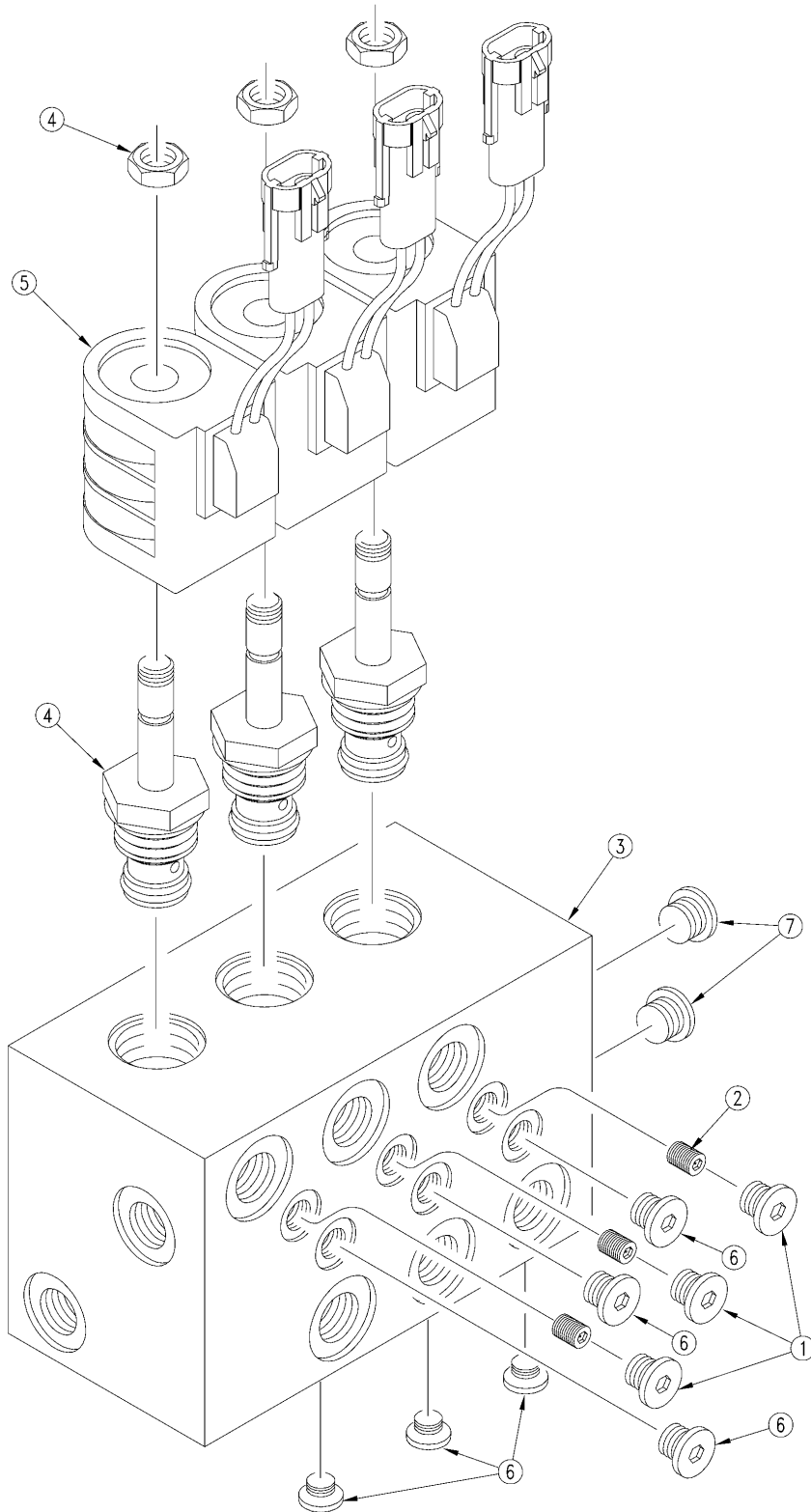
Fold Hydraulics With Check Valve

(Applies to 3S-4000, 3S-4000F only)

Ref	Part No.	Part Description	Comments	Revision
	dwg25012	Image No.		
1.	810-421C	CYL 4X20X 2 ROD (TIE ROD)	Refer to Hydraulic Cylinder (810-421C0 for breakdown.	
2.	811-470C	TE 9/16MJIC 3/4MORB 9/16MJIC		
3.	811-574C	HH1/4R1 040 9/16FJIC		
4.	811-171C	EL 3/4MORB 9/16MJIC		
5.	811 057C	HH1/4R2 020 9/16FJIC		
6.	811-181C	HH1/4R1 405 3/4MORB 9/16FJIC		
7.	196-429D	ORIFICE PLATE 3/32 8 MORB		
8.	811-362C	HH1/4R1 025 9/16FJIC		
9.	811-061C	TE 9/16MJIC 9/16MJIC 9/16FJIC		
10.	811-169C	EL 9/16MJIC 9/16FJIC		
11.	811-627C	AD 9/16MORB 9/16FJIC		
12.	810-343C	VALVE PO CHECK 2:1 W/9/16FORB		
13.	811-065C	EL 9/16MJIC 9/16MORB		
14.	811-170C	AD 9/16MORB 9/16MJIC		

Manifold Block (810-371C) (Option)

(Applies to 3S-4000, 3S-4000F only)



17027

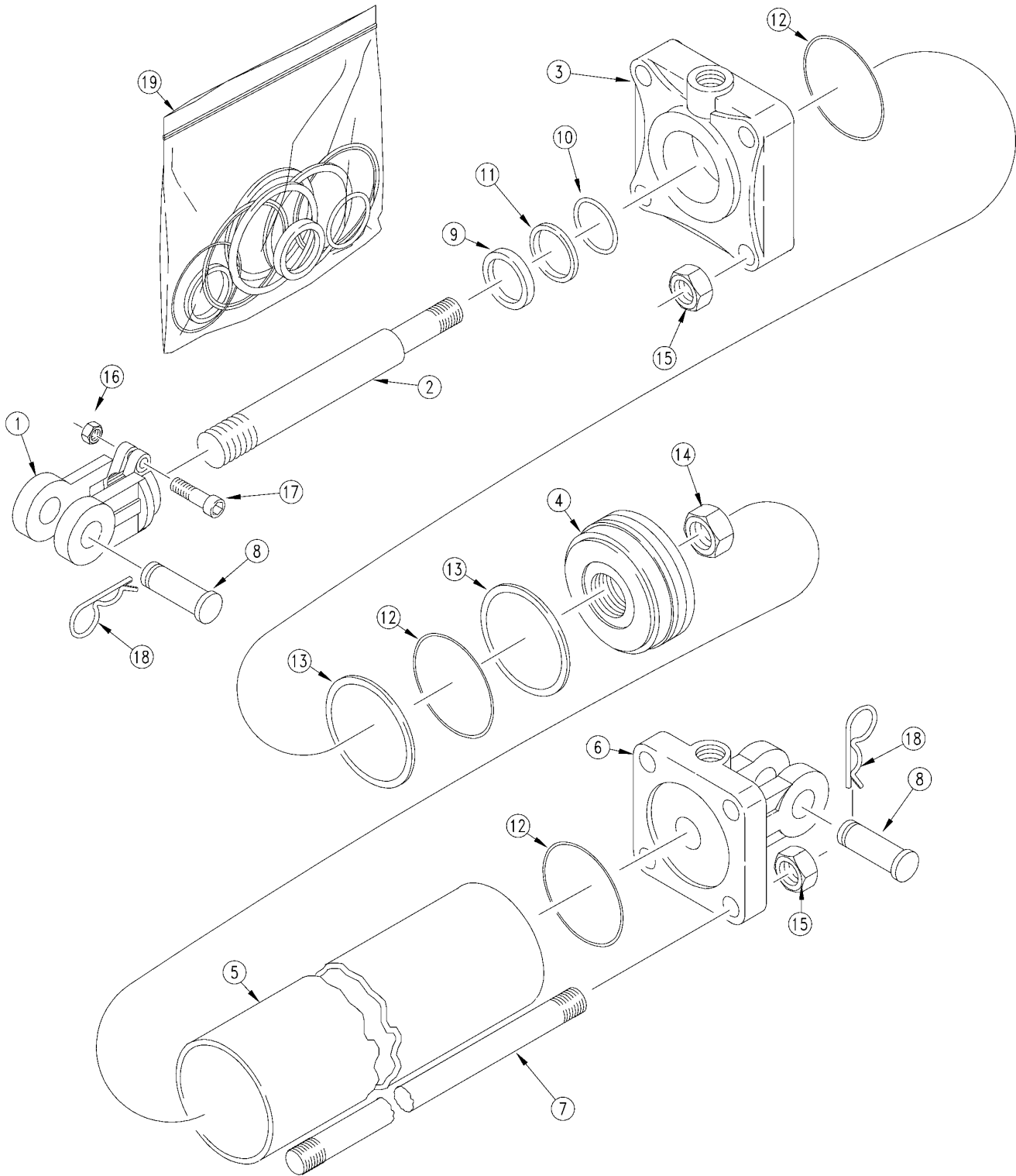
Manifold Block (810-371C) (Option)

(Applies to 3S-4000, 3S-4000F only)

Ref	Part No.	Part Description	Comments	Revision
	dwg17027	Image No.		
1.	61010016	#4 SAE PLUG		
2.	61010039	.078 ORIFICE PLUG		
3.	30102754	MANIFOLD		
4.	85002333	DELTA 4W2P VALVE DGS4D-00		
5.	39680008	DELTA COIL 12VDC W CONN		
6.	61011003	#4 SAE PLUG ZL		
7.	811-203C	PL 3/4MORB HOLLOW HEX		
7.	500-090B	SEAL KIT 7/8-14 DELTA W/ LTITE		

Midway Hydraulic Cylinder (810-020C)

(Applies to 3S-4000, 3S-4000F only)



10035

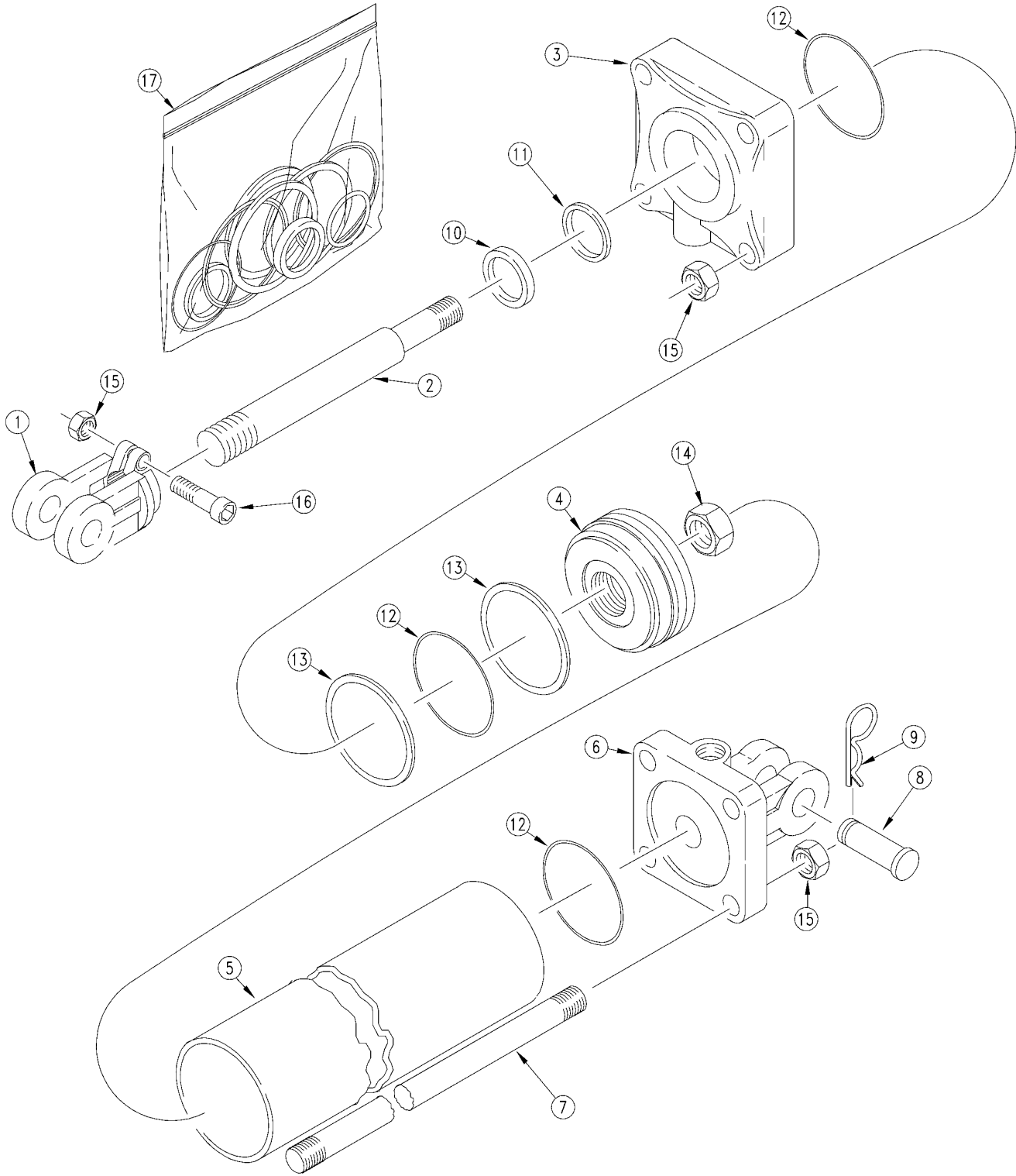
Midway Hydraulic Cylinder (810-020C)

(Applies to 3S-4000, 3S-4000F only)

Ref	Part No.	Part Description	Comments	Revision
	dwg10035	Image No.		
1.	1M7016	CLEVIS ROD MIDWAY		
2.	2M6470	MW ROD 1-1/4 DIA.X 10 STROKE		
3.	3R5712	MW HEAD		
4.	4M6108	MW PISTON		
5.	2M6108	MW TUBE		
6.	6R5164	BASE MIDWAY		
7.	7M6318	MW TIE ROD 4 X 10 CYLINDER		
8.	2A0208	RPBY 805-124C		
9.		WIPER	Only found in seal kit #19	
10.		O-RING	Only found in seal kit #19	
11.		BACK-UP	Only found in seal kit #19	
12.		O-RING	Only found in seal kit #19	
13.		BACK-UP	Only found in seal kit #19	
14.	2A0024	MW PISTON NUT 1-14		
15.	2A0018	MW TIE ROD NUT		
16.	2A0012	RPBY 803-234C		
17.	2A0006	RPBY 802-023C		
18.	2A0132	MW PIN CLIP		
19.	810-013C	CYL SEAL KIT 4 X 14 MW 5A6102		

Midway Hydraulic Cylinder (810-299C)

(Applies to 3S-4000, 3S-4000F only)



15705

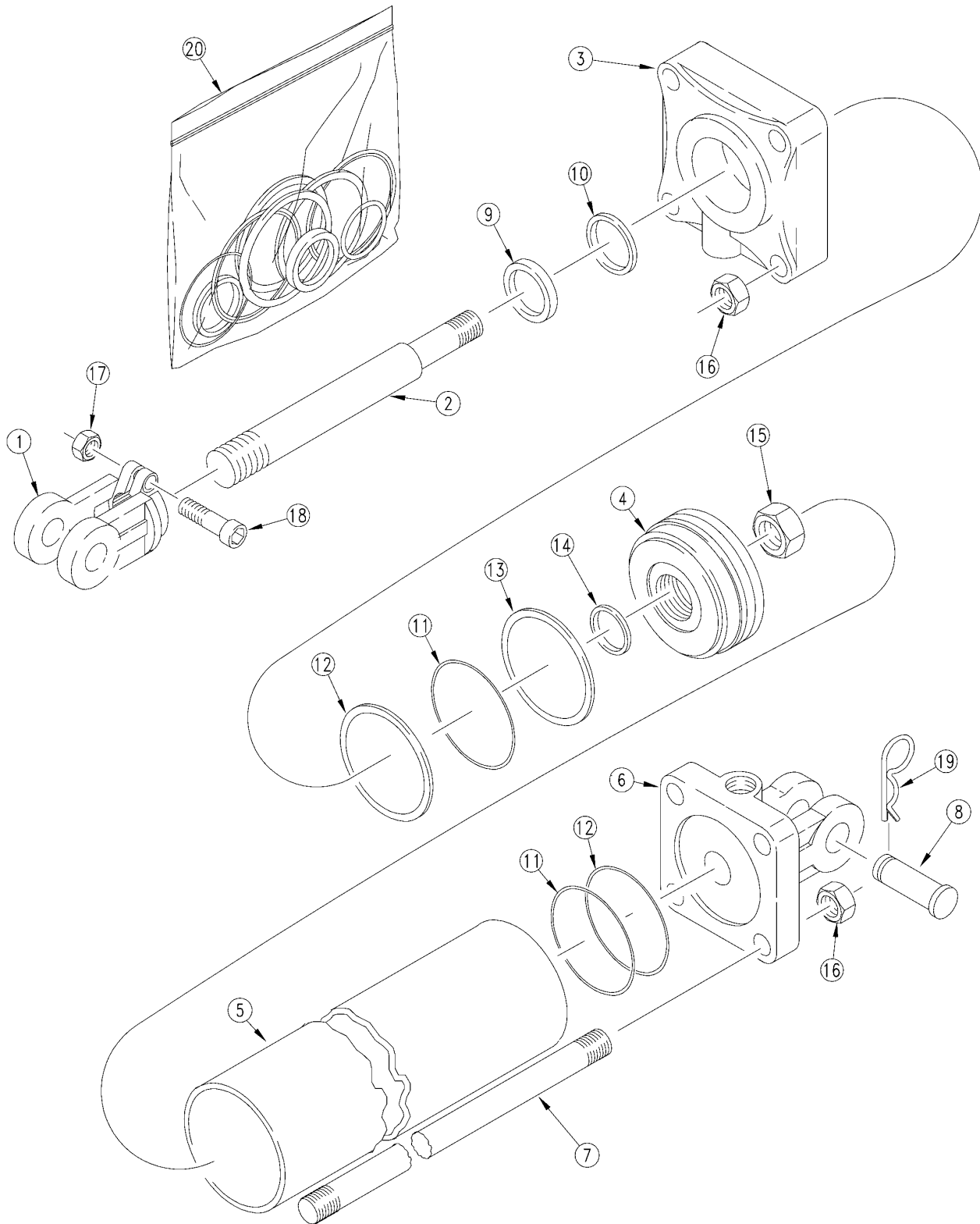
Midway Hydraulic Cylinder (810-299C)

(Applies to 3S-4000, 3S-4000F only)

Ref	Part No.	Part Description	Comments	Revision
	dwg15705	Image No.		
1.	1M6006	MW ROD CLEVIS		
2.	2M2316	MW ROD		
3.	3R0122	MW HEAD		
4.	4M2102	RPBY 4M2108		
5.	5M2116	MW TUBE		
6.	6R0032	BASE MIDWAY		
7.	7M2316	MW TIE ROD		
8.	2A0208	RPBY 805-124C		
9.	2A0132	MW PIN CLIP		
10.		MW WIPER	Only found in seal kit #17	
11.		MW U-CUP	Only found in seal kit #17	
12.		MW O-RING	Only found in seal kit #17	
13.		MW BACKUP	Only found in seal kit #17	
14.	2A0022	RPBY 803-114C		
15.	2A0012	RPBY 803-234C		
16.	2A0006	RPBY 802-023C		
17.	810-310C	SEAL KIT MW 5A2104		

Midway Hydraulic Cylinder (810-416C)

(Applies to 3S-4000, 3S-4000F only)



18802

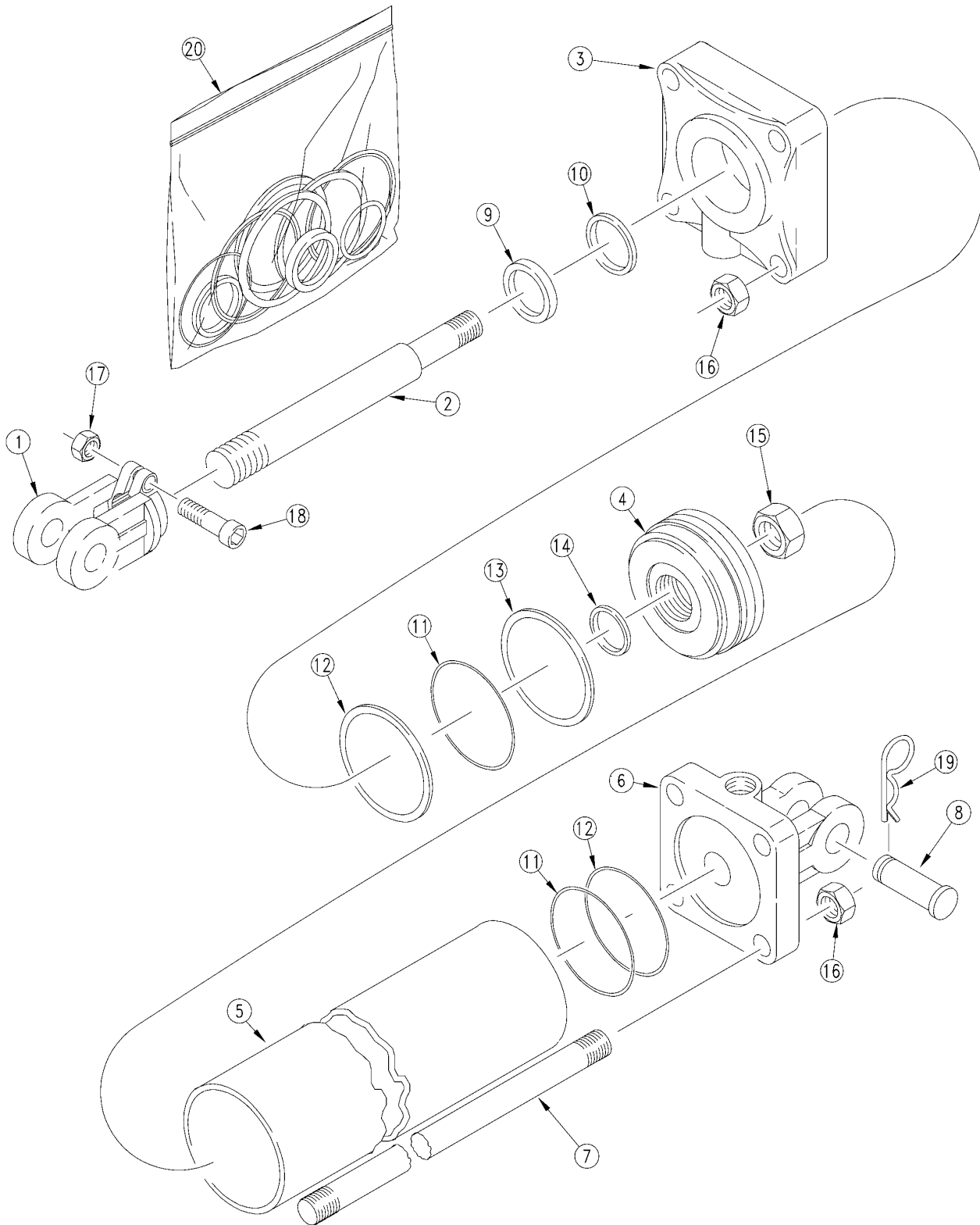
Midway Hydraulic Cylinder (810-416C)

(Applies to 3S-4000, 3S-4000F only)

Ref	Part No.	Part Description	Comments	Revision
	dwg18802	Image No.		
1.	1M7016	CLEVIS ROD MIDWAY		
2.	2M6526	MIDWAY ROD		
3.	3R5412	MIDWAY HEAD		
4.	4M6108	MW PISTON		
5.	5M6124	MW TUBE 4 X 16 CYLINDER		
6.	6R5162	MW BASE		
7.	7M6324	MW TIE ROD 4 X 16 CYLINDER		
8.	2A0208	RPBY 805-124C		
9.		MW WIPER	Only found in seal kit #20	
10.		U-CUP	Only found in seal kit #20	
11.		O-RING MIDWAY	Only found in seal kit #20	
12.		BACK UP MIDWAY	Only found in seal kit #20	
13.		CROWN SEAL	Only found in seal kit #20	
14.	2A0052	MW PISTON NUT SEAL		
15.	2A0024	MW PISTON NUT 1-14		
16.	2A0018	MW TIE ROD NUT		
17.	2A0012	RPBY 803-234C		
18.	2A0006	RPBY 802-023C		
19.	2A0132	MW PIN CLIP		
20.	810-060C	CYL SEAL KIT-810-031C-5A6104		

Midway Hydraulic Cylinder (810-421C)

(Applies to 3S-4000, 3S-4000F only)



18802

Midway Hydraulic Cylinder (810-421C)

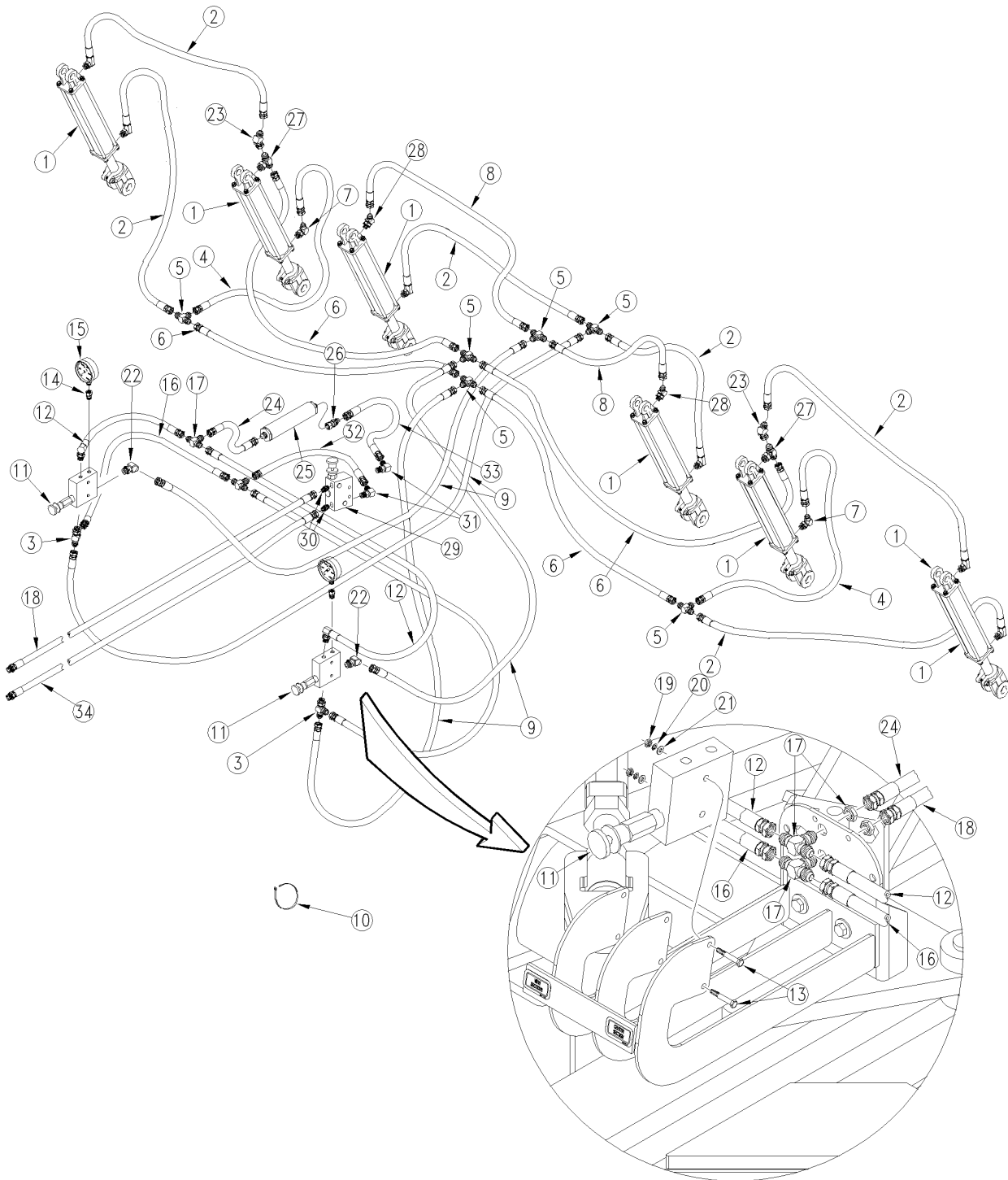
(Applies to 3S-4000, 3S-4000F only)

Ref	Part No.	Part Description	Comments	Revision
	dwg18802	Image No.		
1.	1M7016	CLEVIS ROD MIDWAY		
2.	2M6628	MW ROD		
3.	3R6012	HEAD MIDWAY		
4.	4M6108	MW PISTON		
5.	5M6128	MIDWAY TUBE		
6.	6R5162	MW BASE		
7.	7M6328	MW TIE ROD		
8.	2A0208	RPBY 805-124C		
9.	2A0042	MW WIPER	Only Available in Seal Kit #20	
10.	2A0426	U-CUP	Only Available in Seal Kit #20	
11.	2A0245	O-RING MIDWAY	Only Available in Seal Kit #20	
12.	2A0275	BACK UP MIDWAY	Only Available in Seal Kit #20	
13.	2A0458	CROWN SEAL MIDWAY		
14.	2A0052	MW PISTON NUT SEAL		
15.	2A0024	MW PISTON NUT 1-14		
16.	2A0018	MW TIE ROD NUT		
17.	2A0012	RPBY 803-234C		
18.	802-023C	HHCS 3/8-16X1 3/4 GR5		
19.	2A0132	MW PIN CLIP		
20.	810-014C	CYL SEAL KIT 4 X 16 MW 5A6106		

[Table of Contents](#) [Part Number Index](#)

Opener Down Pressure Hydraulics (Closed Center) (S/N YY1310-)

(Applies to 3S-4000, 3S-4000F only)



Opener Down Pressure Hydraulics (Closed Center) (S/N YY1310-)

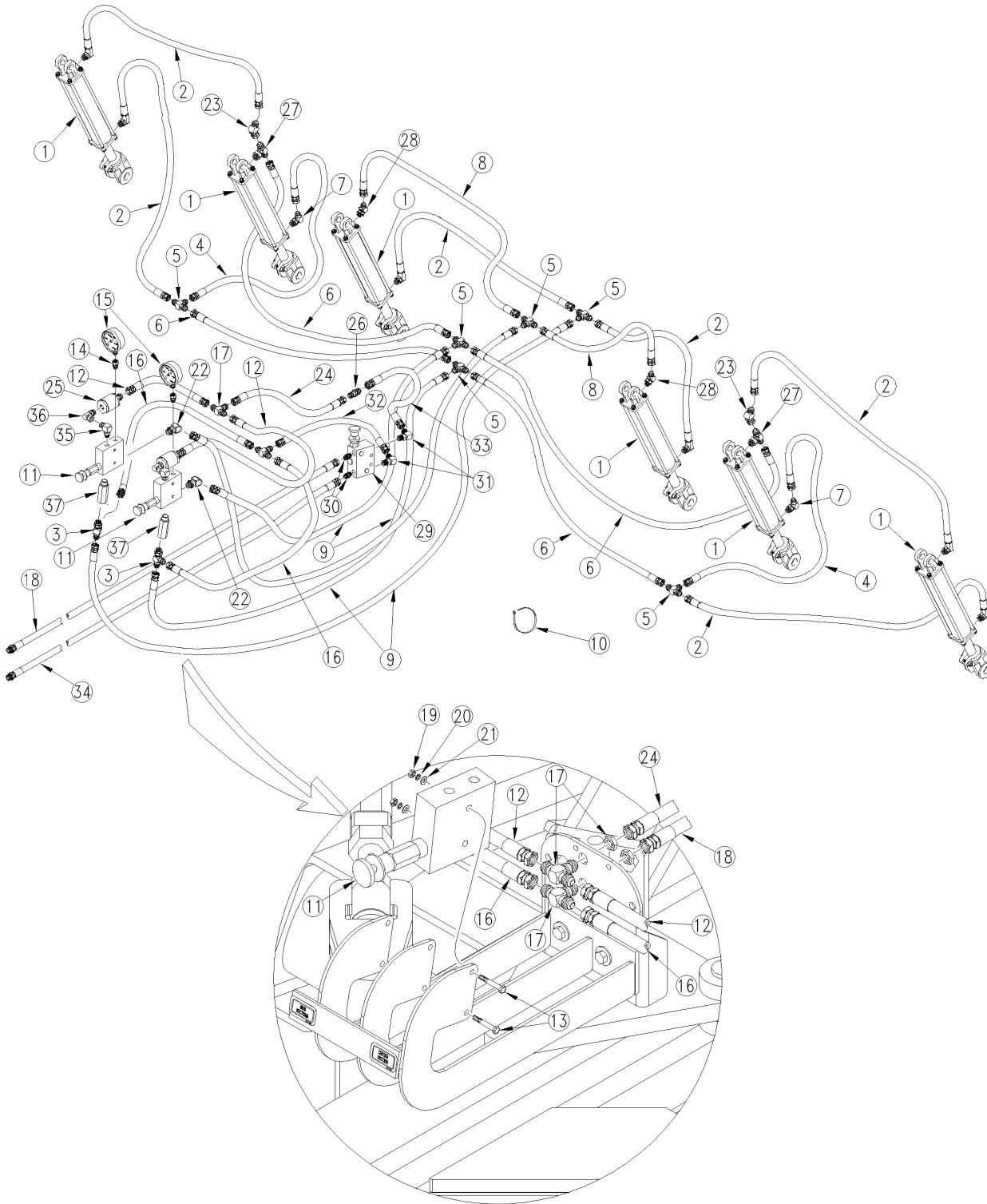
(Applies to 3S-4000, 3S-4000F only)

Ref	Part No.	Part Description	Comments	Revision
	dwg18798	Image No.		
1.	810-299C	CYL 2X8X1.12 ROD (TIE ROD)		
2.	811-775C	HH1/4R1 124 9/16FJIC9/16MORB90		
3.	811-064C	TE 9/16MJIC 9/16MJIC 9/16MORB		
4.	811-364C	HH3/8R1 026 9/16FJIC		
5.	811-312C	TE 9/16MJIC		
6.	851-880C	HH3/8R2 135 9/16FJIC		
7.	811-065C	EL 9/16MJIC 9/16MORB		
8.	811-212C	HH1/4R1 102 9/16FJIC		
9.	811-774C	HH3/8R1 072 9/16FJIC		
10.	800-082C	CABLE TIE .31X21.5 6DIA 120LB		
11.	810-301C	VALVE PRESS REDUCING W/CHECK		
12.	811-632C	HH3/8R1 021 9/16FJIC9/16MORB90		
13.	802-551C	HHCS 1/4-20X2 1/4 GR5		
14.	811-677C	AD 9/16MORB 1/4FNPT		
15.	810-300C	PRESSURE GAUGE 3000 PSI		
16.	811-631C	HH3/8R1 018 9/16FJIC		
17.	811-356C	TE 9/16MJIC BH 9/16MJIC 9/16MJ		
18.	811-585C	HH3/8R1 408 1/2MNPT 9/16FJIC		
19.	803-006C	NUT-HEX 1/4-20 PLT		
20.	804-006C	WASHER LOCK SPRING 1/4 PLT		
21.	804-075C	WASHER FLAT 1/4 USS PLT		
22.	811-416C	EL 45 9/16MJIC 9/16MORB		
23.	811-397C	EL 45 9/16MJIC 9/16FJIC		
24.	811-286C	HH3/8R2 020 3/4FJIC 9/16FJIC		
25.	810-410C	FILTER INLINE SHOEMAKER #8055		
26.	811-146C	AD 3/4FJIC 9/16MJIC		
27.	811-439C	TE 9/16MORB 9/16MJIC 9/16MJIC		
28.	811-416C	EL 45 9/16MJIC 9/16MORB		
29.	810-432C	HYDRAULIC BYPASS VALVE		
30.	811-133C	AD 9/16MJIC 3/4MORB		
31.	811-171C	EL 3/4MORB 9/16MJIC		
32.	811-631C	HH3/8R1 018 9/16FJIC		
33.	811-118C	HH3/8R1 041 9/16FJIC 3/4FJIC		
34.	811-796C	HH1/2R1 408 1/2MNPT 9/16FJIC		

[Table of Contents](#) [Part Number Index](#)

Opener Down Pressure Hydraulics (Closed Center) (S/N YY1311+)

(Applies to 3S-4000, 3S-4000F only)



22968

Opener Down Pressure Hydraulics (Closed Center) (S/N YY1311+)

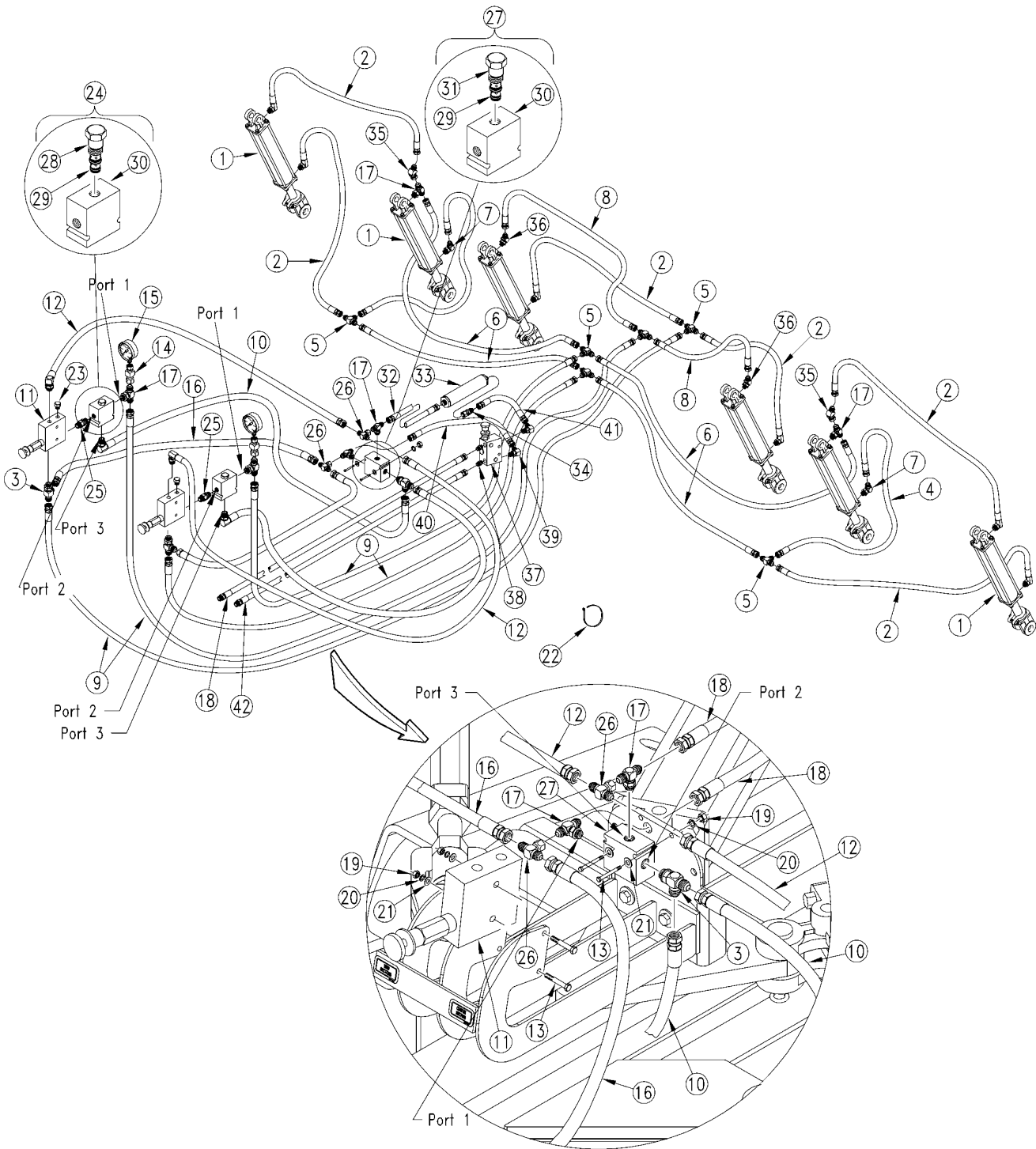
(Applies to 3S-4000, 3S-4000F only)

Ref	Part No.	Part Description	Comments	Revision
	dwg22968	Image No.		
1.	810-299C	CYL 2X8X1.12 ROD (TIE ROD)		
2.	811-775C	HH1/4R1 124 9/16FJIC9/16MORB90		
3.	811-064C	TE 9/16MJIC 9/16MJIC 9/16MORB		
4.	811-364C	HH3/8R1 026 9/16FJIC		
5.	811-312C	TE 9/16MJIC		
6.	851-880C	HH3/8R2 135 9/16FJIC		
7.	811-065C	EL 9/16MJIC 9/16MORB		
8.	811-212C	HH1/4R1 102 9/16FJIC		
9.	811-774C	HH3/8R1 072 9/16FJIC		
10.	800-082C	CABLE TIE .31X21.5 6DIA 120LB		
11.	810-301C	VALVE PRESS REDUCING W/CHECK		
12.	811-286C	HH3/8R2 020 3/4FJIC 9/16FJIC		
13.	802-551C	HHCS 1/4-20X2 1/4 GR5		
14.	811-677C	AD 9/16MORB 1/4FNPT		
15.	810-300C	PRESSURE GAUGE 3000 PSI		
16.	811-631C	HH3/8R1 018 9/16FJIC		
17.	811-356C	TE 9/16MJIC BH 9/16MJIC 9/16MJ		
18.	811-585C	HH3/8R1 408 1/2MNPT 9/16FJIC		
19.	803-006C	NUT-HEX 1/4-20 PLT		
20.	804-006C	WASHER LOCK SPRING 1/4 PLT		
21.	804-075C	WASHER FLAT 1/4 USS PLT		
22.	811-416C	EL 45 9/16MJIC 9/16MORB		
23.	811-397C	EL 45 9/16MJIC 9/16FJIC		
24.	811-286C	HH3/8R2 020 3/4FJIC 9/16FJIC		
25.	810-554C	FILTER INLINE 3/4FORB 3/4MJIC	For replacement screen order 810-553C	
26.	811-430C	AD 3/4MJIC 3/4MJIC		
27.	811-439C	TE 9/16MORB 9/16MJIC 9/16MJIC		
28.	811-416C	EL 45 9/16MJIC 9/16MORB		
29.	810-432C	HYDRAULIC BYPASS VALVE		
30.	811-133C	AD 9/16MJIC 3/4MORB		
31.	811-171C	EL 3/4MORB 9/16MJIC		
32.	811-631C	HH3/8R1 018 9/16FJIC		
33.	811-118C	HH3/8R1 041 9/16FJIC 3/4FJIC		
34.	811-796C	HH1/2R1 408 1/2MNPT 9/16FJIC		
35.	811-216C	EL 3/4MJIC 9/16MORB		
36.	841-077C	EL 3/4FJIC 3/4MORB		
37.	851-310C	VALVE INLINE CHECK SAE 6	(S/N YY2724+)	

[Table of Contents](#) [Part Number Index](#)

Opener Down Pressure Hydraulics (Open Center) (S/N YY1310-)

(Applies to 3S-4000, 3S-4000F only)



18801

Opener Down Pressure Hydraulics (Open Center) (S/N YY1310-)

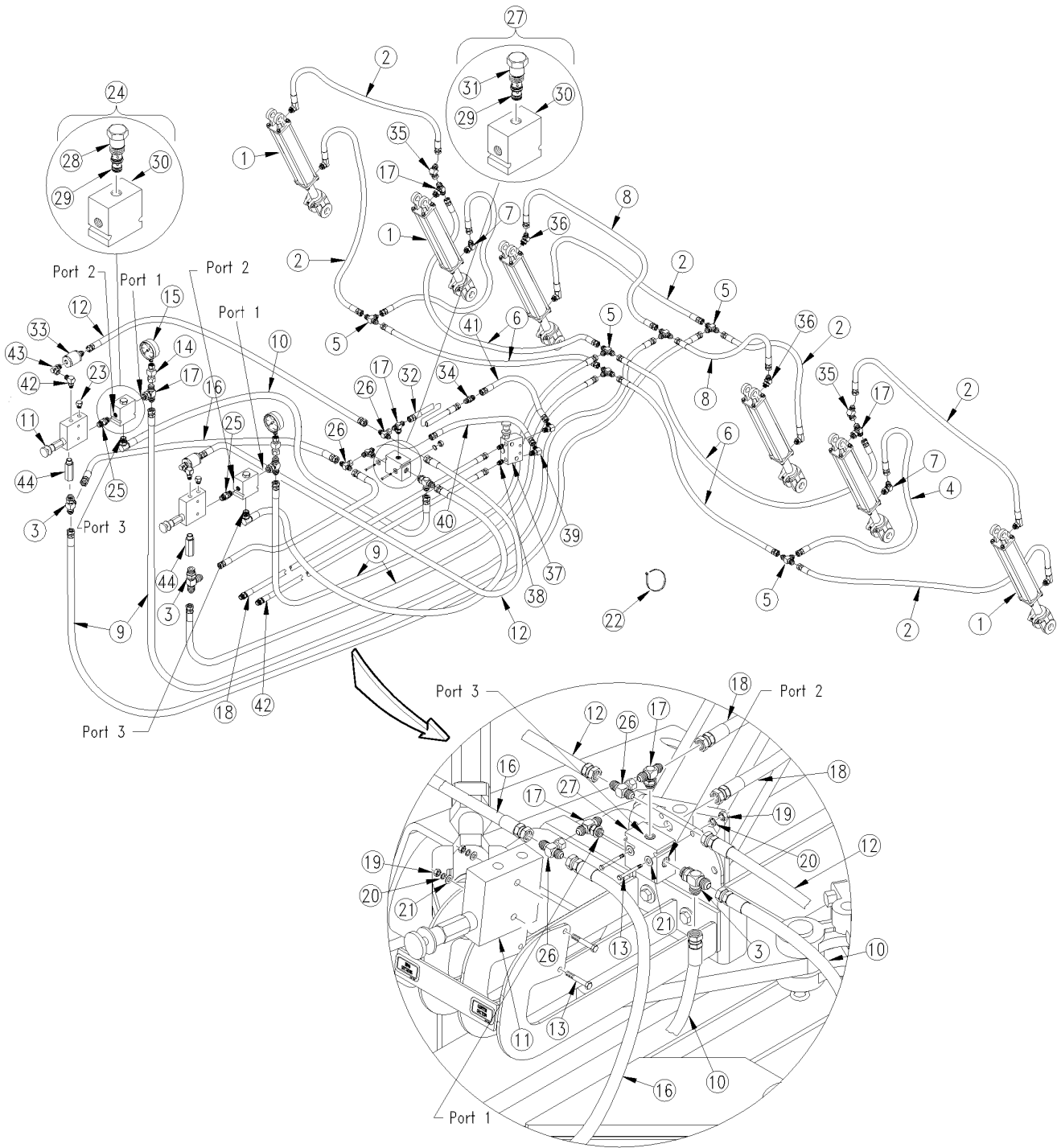
(Applies to 3S-4000, 3S-4000F only)

Ref	Part No.	Part Description	Comments	Revision
	dwg18801	Image No.		
1.	810-299C	CYL 2X8X1.12 ROD (TIE ROD)		
2.	811-775C	HH1/4R1 124 9/16FJIC9/16MORB90		
3.	811-064C	TE 9/16MJIC 9/16MJIC 9/16MORB		
4.	811-364C	HH3/8R1 026 9/16FJIC		
5.	811-312C	TE 9/16MJIC		
6.	851-880C	HH3/8R2 135 9/16FJIC		
7.	811-065C	EL 9/16MJIC 9/16MORB		
8.	811-212C	HH1/4R1 102 9/16FJIC		
9.	811-774C	HH3/8R1 072 9/16FJIC		
10.	811-531C	HH1/4R2 018 9/16FJIC9/16MORB90		
11.	810-301C	VALVE PRESS REDUCING W/CHECK		
12.	811-632C	HH3/8R1 021 9/16FJIC9/16MORB90		
13.	802-551C	HHCS 1/4-20X2 1/4 GR5		
14.	811-582C	AD 9/16FJIC 1/4FNPT		
15.	810-300C	PRESSURE GAUGE 3000 PSI		
16.	811-631C	HH3/8R1 018 9/16FJIC		
17.	811-439C	TE 9/16MORB 9/16MJIC 9/16MJIC		
18.	811-585C	HH3/8R1 408 1/2MNPT 9/16FJIC		
19.	803-006C	NUT-HEX 1/4-20 PLT		
20.	804-006C	WASHER LOCK SPRING 1/4 PLT		
21.	804-075C	WASHER FLAT 1/4 USS PLT		
22.	800-082C	CABLE TIE .31X21.5 6DIA 120LB		
23.	811-675C	PL 9/16MORB HEX HEAD		
24.	810-343C	VALVE PO CHECK 2:1 W/9/16FORB		
25.	811-636C	AD 9/16MORB STRAIGHT UNION		
26.	811-193C	TE 9/16FJIC 9/16MJIC 9/16MJIC		
27.	810-344C	VALVE SHUTTLE 9/16FORB PORTS		
28.	810-293C	VALVE P O CHECK DELTA 85002692		
29.	810-303C	SEAL KIT 7/8-14 DELTA 21170040		
30.	30102360	DELTA BODY ONLY FS#6 SAE PORTS		
31.	85002946	DELTA SHUTTLE VALVE CARTRIDGE		
32.	811-286C	HH3/8R2 020 3/4FJIC 9/16FJIC		
33.	810-410C	FILTER INLINE SHOEMAKER #8055		
34.	811-146C	AD 3/4FJIC 9/16MJIC		
35.	811-397C	EL 45 9/16MJIC 9/16FJIC		
36.	811-416C	EL 45 9/16MJIC 9/16MORB		
37.	810-432C	HYDRAULIC BYPASS VALVE		
38.	811-133C	AD 9/16MJIC 3/4MORB		
39.	811-171C	EL 3/4MORB 9/16MJIC		
40.	811-631C	HH3/8R1 018 9/16FJIC		
41.	811-118C	HH3/8R1 041 9/16FJIC 3/4FJIC		
42.	811-796C	HH1/2R1 408 1/2MNPT 9/16FJIC		

[Table of Contents](#) [Part Number Index](#)

Opener Down Pressure Hydraulics (Open Center) (S/N YY1311+)

(Applies to 3S-4000, 3S-4000F only)



22970

Opener Down Pressure Hydraulics (Open Center) (S/N YY1311+)

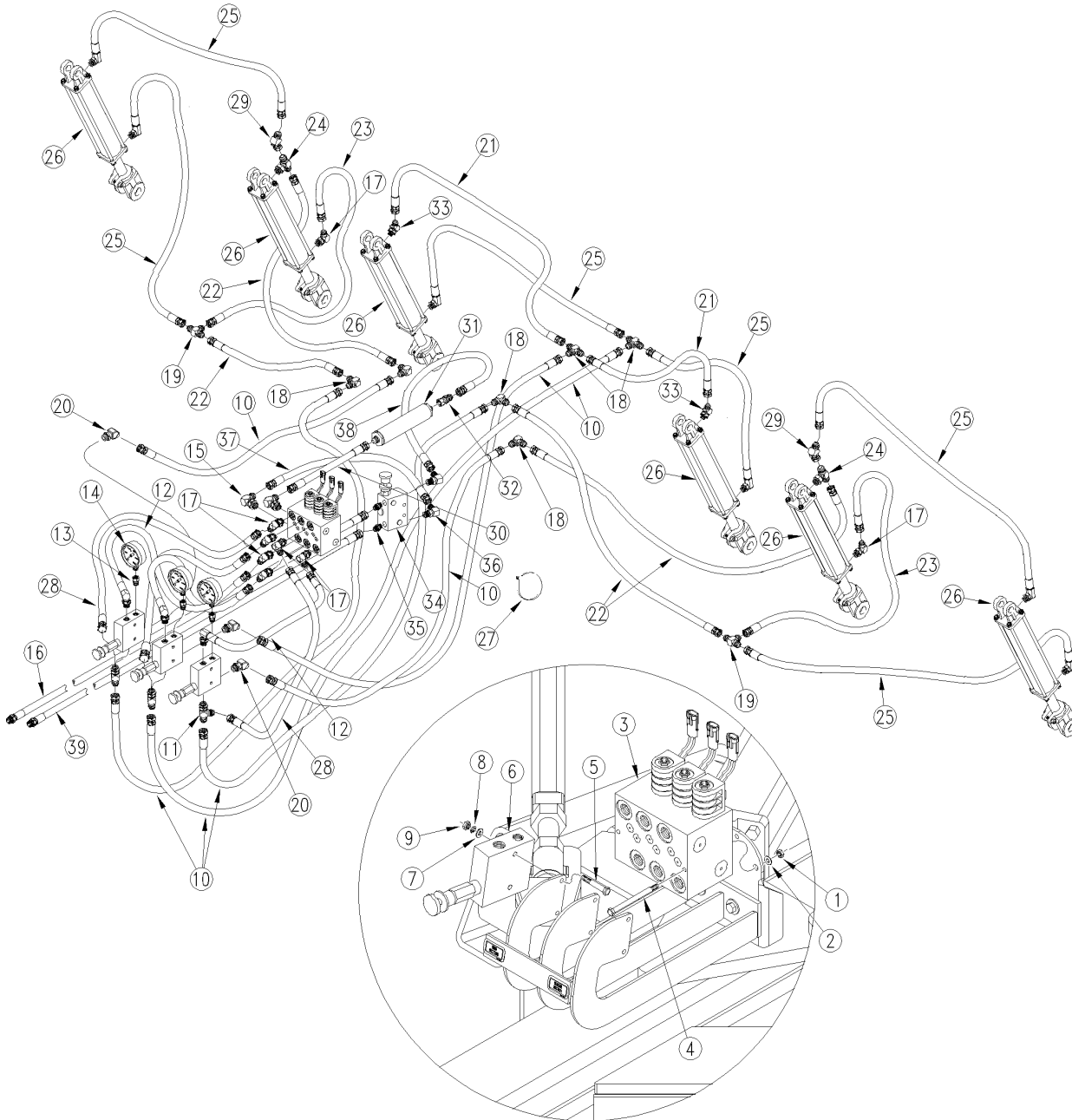
(Applies to 3S-4000, 3S-4000F only)

Ref	Part No.	Part Description	Comments	Revision
	dwg22970	Image No.		
1.	810-299C	CYL 2X8X1.12 ROD (TIE ROD)		
2.	811-775C	HH1/4R1 124 9/16FJIC9/16MORB90		
3.	811-064C	TE 9/16MJIC 9/16MJIC 9/16MORB		
4.	811-364C	HH3/8R1 026 9/16FJIC		
5.	811-312C	TE 9/16MJIC		
6.	851-880C	HH3/8R2 135 9/16FJIC		
7.	811-065C	EL 9/16MJIC 9/16MORB		
8.	811-212C	HH1/4R1 102 9/16FJIC		
9.	811-774C	HH3/8R1 072 9/16FJIC		
10.	811-531C	HH1/4R2 018 9/16FJIC9/16MORB90		
11.	810-301C	VALVE PRESS REDUCING W/CHECK		
12.	811-286C	HH3/8R2 020 3/4FJIC 9/16FJIC		
13.	802-551C	HHCS 1/4-20X2 1/4 GR5		
14.	811-582C	AD 9/16FJIC 1/4FNPT		
15.	810-300C	PRESSURE GAUGE 3000 PSI		
16.	811-631C	HH3/8R1 018 9/16FJIC		
17.	811-439C	TE 9/16MORB 9/16MJIC 9/16MJIC		
18.	811-585C	HH3/8R1 408 1/2MNPT 9/16FJIC		
19.	803-006C	NUT-HEX 1/4-20 PLT		
20.	804-006C	WASHER LOCK SPRING 1/4 PLT		
21.	804-075C	WASHER FLAT 1/4 USS PLT		
22.	800-082C	CABLE TIE .31X21.5 6DIA 120LB		
23.	811-675C	PL 9/16MORB HEX HEAD		
24.	810-343C	VALVE PO CHECK 2:1 W/9/16FORB		
25.	811-636C	AD 9/16MORB STRAIGHT UNION		
26.	811-193C	TE 9/16FJIC 9/16MJIC 9/16MJIC		
27.	810-344C	VALVE SHUTTLE 9/16FORB PORTS		
28.	810-293C	VALVE P O CHECK DELTA 85002692		
29.	810-303C	SEAL KIT 7/8-14 DELTA 21170040		
30.	30102360	DELTA BODY ONLY FS#6 SAE PORTS		
31.	85002946	DELTA SHUTTLE VALVE CARTRIDGE		
32.	811-286C	HH3/8R2 020 3/4FJIC 9/16FJIC		
33.	810-554C	FILTER INLINE 3/4FORB 3/4MJIC	For replacement screen order 810-553C	
34.	811-430C	AD 3/4MJIC 3/4MJIC		
35.	811-397C	EL 45 9/16MJIC 9/16FJIC		
36.	811-416C	EL 45 9/16MJIC 9/16MORB		
37.	810-432C	HYDRAULIC BYPASS VALVE		
38.	811-133C	AD 9/16MJIC 3/4MORB		
39.	811-171C	EL 3/4MORB 9/16MJIC		
40.	811-631C	HH3/8R1 018 9/16FJIC		
41.	811-118C	HH3/8R1 041 9/16FJIC 3/4FJIC		
42.	811-216C	EL 3/4MJIC 9/16MORB		
43.	841-077C	EL 3/4FJIC 3/4MORB		
44.	851-310C	VALVE INLINE CHECK SAE 6	(S/N YY2724+)	

Table of Contents Part Number Index

Opener Down Pressure Hydraulics With Point Row (Option) (S/N YY1310-)

(Applies to 3S-4000, 3S-4000F only)



18800

Opener Down Pressure Hydraulics With Point Row (Option) (S/N YY1310-)

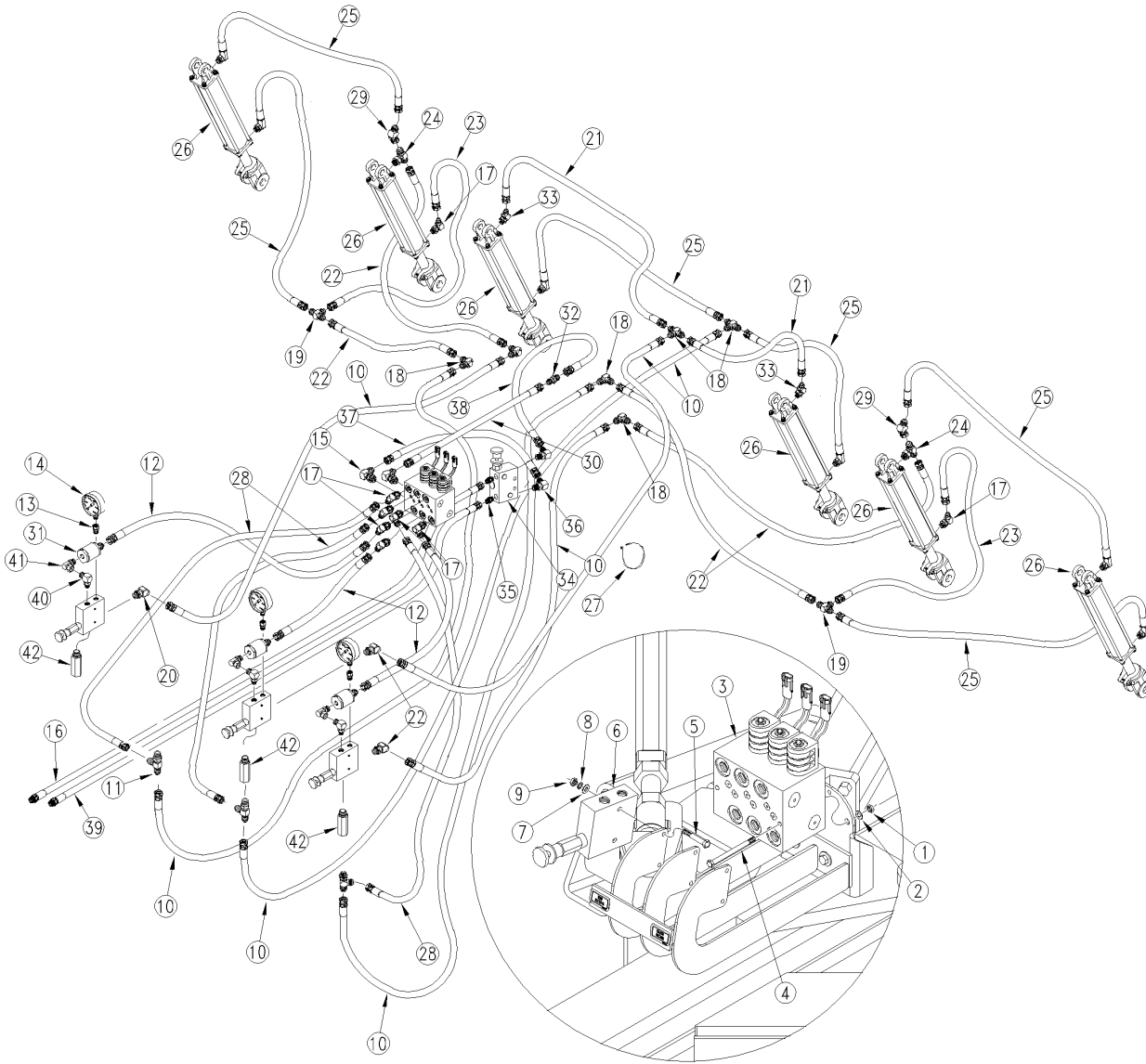
(Applies to 3S-4000, 3S-4000F only)

Ref	Part No.	Part Description	Comments	Revision
	dwg18800	Image No.		
1.	803-013C	NUT LOCK 3/8-16 PLT		
2.	804-011C	WASHER FLAT 3/8 USS PLT		
3.	810-371C	MANIFOLD ASY 3S-3000 POINT ROW		
4.	802-026C	HHCS 3/8-16X3 3/4 GR5		
5.	802-551C	HHCS 1/4-20X2 1/4 GR5		
6.	810-301C	VALVE PRESS REDUCING W/CHECK		
7.	804-075C	WASHER FLAT 1/4 USS PLT		
8.	804-006C	WASHER LOCK SPRING 1/4 PLT		
9.	803-006C	NUT-HEX 1/4-20 PLT		
10.	811-774C	HH3/8R1 072 9/16FJIC		
11.	811-064C	TE 9/16MJIC 9/16MJIC 9/16MORB		
12.	811-632C	HH3/8R1 021 9/16FJIC9/16MORB90		
13.	811-677C	AD 9/16MORB 1/4FNPT		
14.	810-300C	PRESSURE GAUGE 3000 PSI		
15.	811-171C	EL 3/4MORB 9/16MJIC		
16.	811-585C	HH3/8R1 408 1/2MNPT 9/16FJIC		
17.	811-065C	EL 9/16MJIC 9/16MORB		
18.	811-393C	EL 9/16MJIC		
19.	811-312C	TE 9/16MJIC		
20.	811-416C	EL 45 9/16MJIC 9/16MORB		
21.	811-212C	HH1/4R1 102 9/16FJIC		
22.	851-880C	HH3/8R2 135 9/16FJIC		
23.	811-364C	HH3/8R1 026 9/16FJIC		
24.	811-439C	TE 9/16MORB 9/16MJIC 9/16MJIC		
25.	811-775C	HH1/4R1 124 9/16FJIC9/16MORB90		
26.	810-299C	CYL 2X8X1.12 ROD (TIE ROD)		
27.	800-082C	CABLE TIE .31X21.5 6DIA 120LB		
28.	811-631C	HH3/8R1 018 9/16FJIC		
29.	811-397C	EL 45 9/16MJIC 9/16FJIC		
30.	811-286C	HH3/8R2 020 3/4FJIC 9/16FJIC		
31.	810-410C	FILTER INLINE SHOEMAKER #8055		
32.	811-146C	AD 3/4FJIC 9/16MJIC		
33.	811-416C	EL 45 9/16MJIC 9/16MORB		
34.	810-432C	HYDRAULIC BYPASS VALVE		
35.	811-133C	AD 9/16MJIC 3/4MORB		
36.	811-171C	EL 3/4MORB 9/16MJIC		
37.	811-631C	HH3/8R1 018 9/16FJIC		
38.	811-118C	HH3/8R1 041 9/16FJIC 3/4FJIC		
39.	811-796C	HH1/2R1 408 1/2MNPT 9/16FJIC		

[Table of Contents](#) [Part Number Index](#)

Opener Down Pressure Hydraulics With Point Row (Option) (S/N YY1311+)

(Applies to 3S-4000, 3S-4000F only)



22969

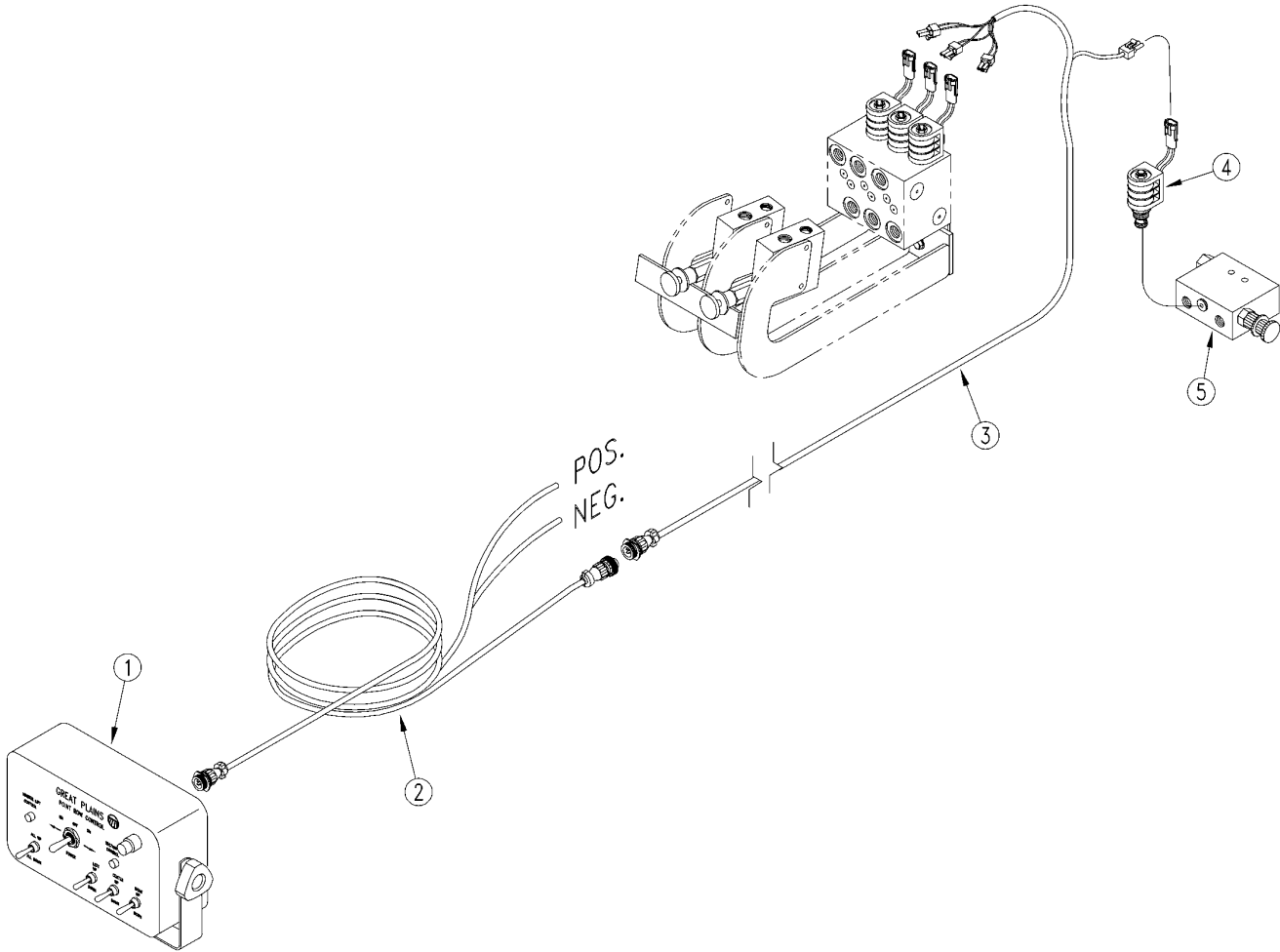
Opener Down Pressure Hydraulics With Point Row (Option) (S/N YY1311+)

(Applies to 3S-4000, 3S-4000F only)

Ref	Part No.	Part Description	Comments	Revision
	dwg22969	Image No.		
1.	803-013C	NUT LOCK 3/8-16 PLT		
2.	804-011C	WASHER FLAT 3/8 USS PLT		
3.	810-371C	MANIFOLD ASY 3S-3000 POINT ROW		
4.	802-026C	HHCS 3/8-16X3 3/4 GR5		
5.	802-551C	HHCS 1/4-20X2 1/4 GR5		
6.	810-301C	VALVE PRESS REDUCING W/CHECK		
7.	804-075C	WASHER FLAT 1/4 USS PLT		
8.	804-006C	WASHER LOCK SPRING 1/4 PLT		
9.	803-006C	NUT-HEX 1/4-20 PLT		
10.	811-774C	HH3/8R1 072 9/16FJIC		
11.	811-064C	TE 9/16MJIC 9/16MJIC 9/16MORB		
12.	811-286C	HH3/8R2 020 3/4FJIC 9/16FJIC		
13.	811-677C	AD 9/16MORB 1/4FNPT		
14.	810-300C	PRESSURE GAUGE 3000 PSI		
15.	811-171C	EL 3/4MORB 9/16MJIC		
16.	811-585C	HH3/8R1 408 1/2MNPT 9/16FJIC		
17.	811-065C	EL 9/16MJIC 9/16MORB		
18.	811-393C	EL 9/16MJIC		
19.	811-312C	TE 9/16MJIC		
20.	811-416C	EL 45 9/16MJIC 9/16MORB		
21.	811-212C	HH1/4R1 102 9/16FJIC		
22.	851-880C	HH3/8R2 135 9/16FJIC		
23.	811-364C	HH3/8R1 026 9/16FJIC		
24.	811-439C	TE 9/16MORB 9/16MJIC 9/16MJIC		
25.	811-775C	HH1/4R1 124 9/16FJIC9/16MORB90		
26.	810-299C	CYL 2X8X1.12 ROD (TIE ROD)		
27.	800-082C	CABLE TIE .31X21.5 6DIA 120LB		
28.	811-631C	HH3/8R1 018 9/16FJIC		
29.	811-397C	EL 45 9/16MJIC 9/16FJIC		
30.	811-286C	HH3/8R2 020 3/4FJIC 9/16FJIC		
31.	810-554C	FILTER INLINE 3/4FORB 3/4MJIC	For replacement screen order 810-553C	
32.	811-430C	AD 3/4MJIC 3/4MJIC		
33.	811-416C	EL 45 9/16MJIC 9/16MORB		
34.	810-432C	HYDRAULIC BYPASS VALVE		
35.	811-133C	AD 9/16MJIC 3/4MORB		
36.	811-171C	EL 3/4MORB 9/16MJIC		
37.	811-631C	HH3/8R1 018 9/16FJIC		
38.	811-118C	HH3/8R1 041 9/16FJIC 3/4FJIC		
39.	811-796C	HH1/2R1 408 1/2MNPT 9/16FJIC		
40.	811-216C	EL 3/4MJIC 9/16MORB		
41.	841-077C	EL 3/4FJIC 3/4MORB		
42.	851-310C	VALVE INLINE CHECK SAE 6	(S/N YY2724+)	

Point Row Control Box With Cables

(Applies to 3S-4000, 3S-4000F only)



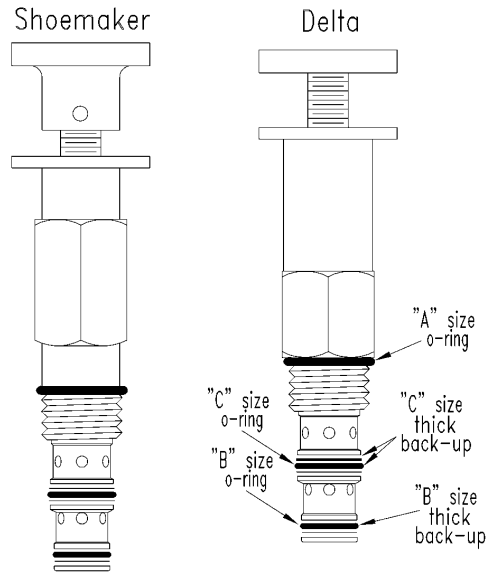
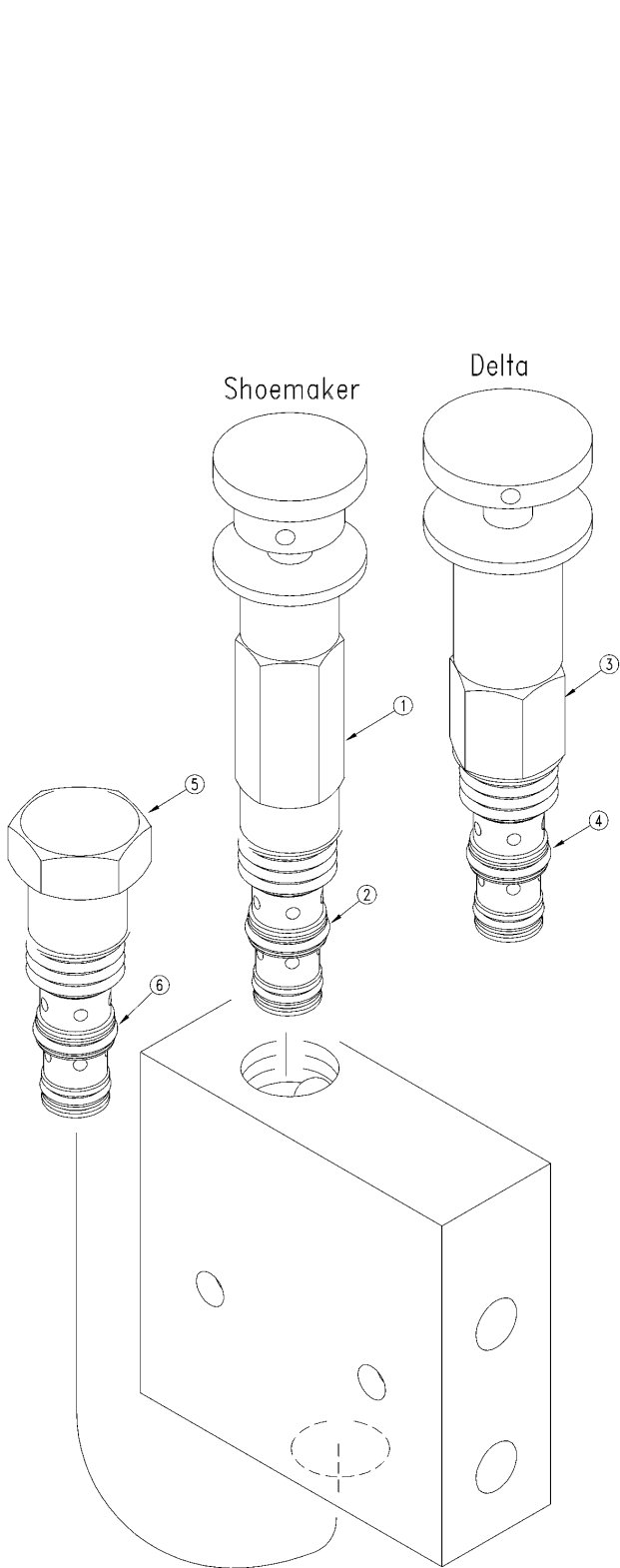
Point Row Control Box With Cables

(Applies to 3S-4000, 3S-4000F only)

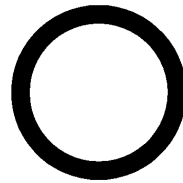

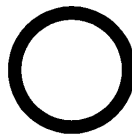
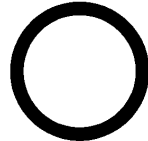
Ref	Part No.	Part Description	Comments	Revision
	dwg22972	Image No.		
1.	823-185C	POINT ROW CONTROL BOX		
2.	823-190C	POINT ROW CABLE W/ POWER LEAD		
3.	823-175C	3 SECT POINT ROW WIRE HARNESS		
4.	810-408C	BYPASS CARTRIDGE AND SOLENOID		
5.	810-432C	HYDRAULIC BYPASS VALVE		

Pressure Reducing Valve (810-301C)

(Applies to 3S-4000, 3S-4000F only)



Seal Kit
For 7/8"-14 Series Valves

	<u>A</u> OD .949 ID .754
	<u>B</u> OD .629 ID .489
	<u>C</u> OD .691 ID .551
	<u>D</u> OD .754 ID .614

Scale: 1=1

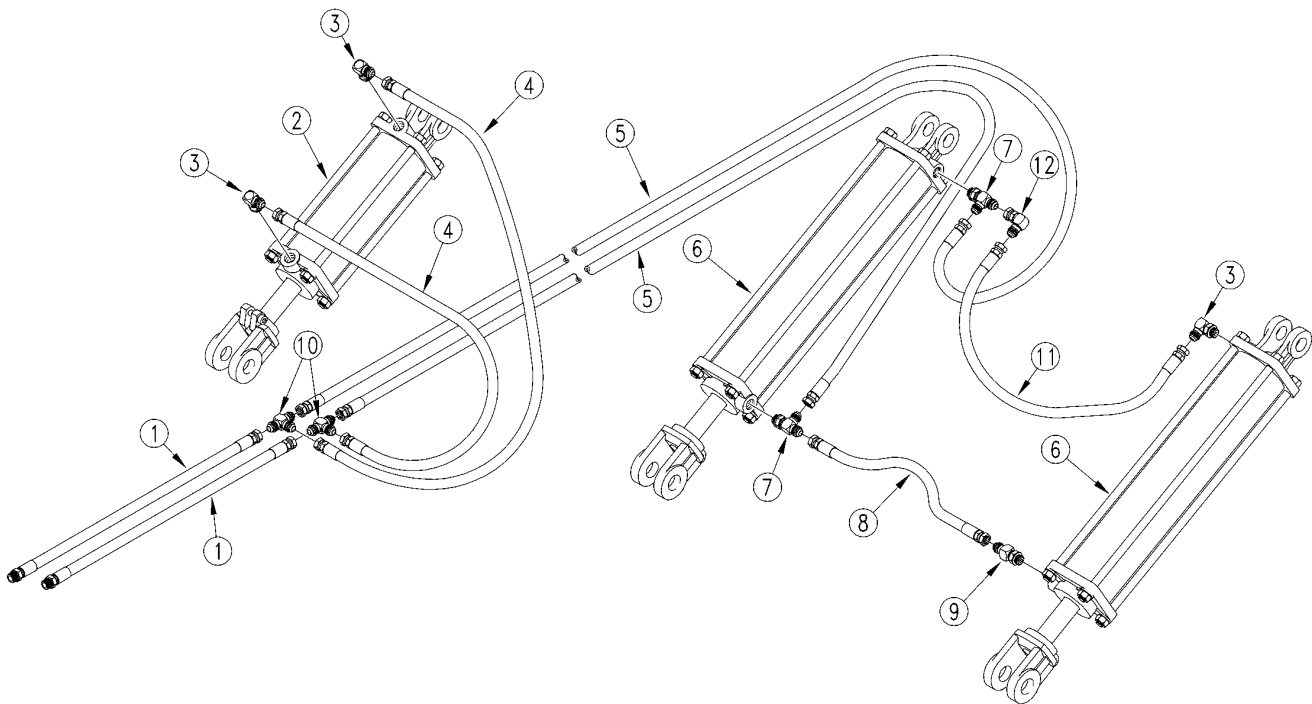
Pressure Reducing Valve (810-301C)

(Applies to 3S-4000, 3S-4000F only)

Ref	Part No.	Part Description	Comments	Revision
	dwg18804	Image No.		
1.	PRPIL-10-K-25	CARTRIDGE PRESS RED SHOEMAKER		
2.	5075	RPBY 810-452C		
3.	85020040	DELTA CARTRIDGE ONLY WITH KNOB		
4.	810-303C	SEAL KIT 7/8-14 DELTA 21170040	See chart for sizes	
5.	CP2-10	REPLACED BY CP2-10-0		
6.	5070	RPBY 5075		
	810-303C	SEAL KIT 7/8-14 DELTA 21170040	Includes: 2 Each of the thin Back-Up Rings, sizes B, C, and D. 1 Each of the thick Back-Up Rings, sizes C and D. 2 Each of the thick Back-Up Rings size B. 1 Each of O-Rings sizes A, B, C, and D.	

Transport Axle And Transport Hook Hydraulics

(Applies to 3S-4000, 3S-4000F only)



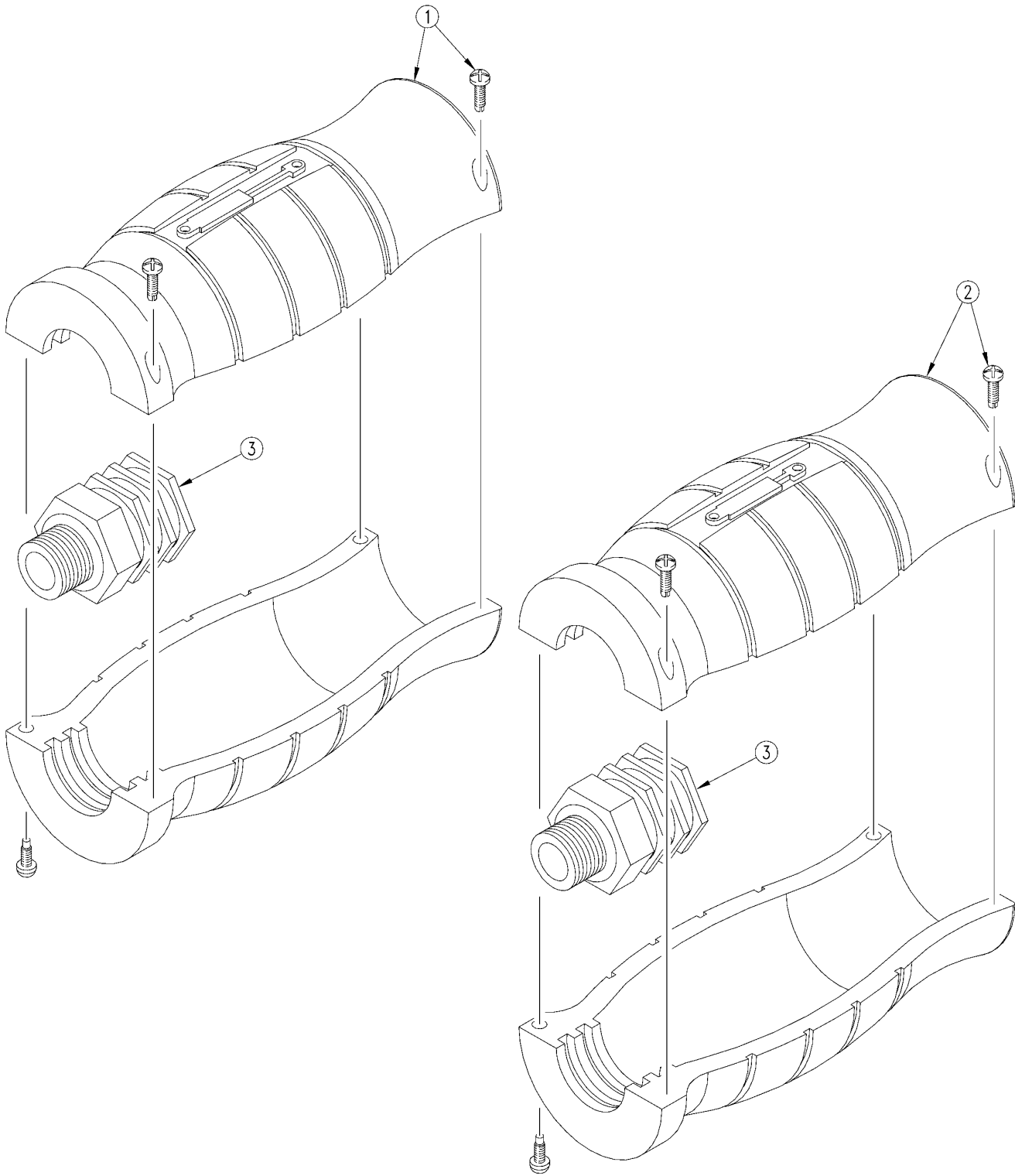
Transport Axle And Transport Hook Hydraulics

(Applies to 3S-4000, 3S-4000F only)

Ref	Part No.	Part Description	Comments	Revision
	dwg18797	Image No.		
1.	811-724C	HH1/4R2 084 1/2MNPT 9/16FJIC		
2.	810-020C	CYL 4X10X1.25 ROD (TIE ROD)		
3.	811-171C	EL 3/4MORB 9/16MJIC		
4.	811-173C	HH1/4R1 145 9/16FJIC		
5.	841-212C	HH1/4R2 342 9/16FJIC		
6.	810-416C	CYL 4X16X1.50 ROD (TIE ROD)		
7.	811-249C	TE 9/16MJIC 3/4MORB 9/16MJIC		
8.	811-057C	HH1/4R2 020 9/16FJIC		
9.	811-133C	AD 9/16MJIC 3/4MORB		
10.	811-312C	TE 9/16MJIC		
11.	811-442C	HH1/4R2 028 9/16FJIC		
12.	811-169C	EL 9/16MJIC 9/16FJIC		

Hydraulic Hose Grips

(Applies to 3S-4000, 3S-4000F only)



31842

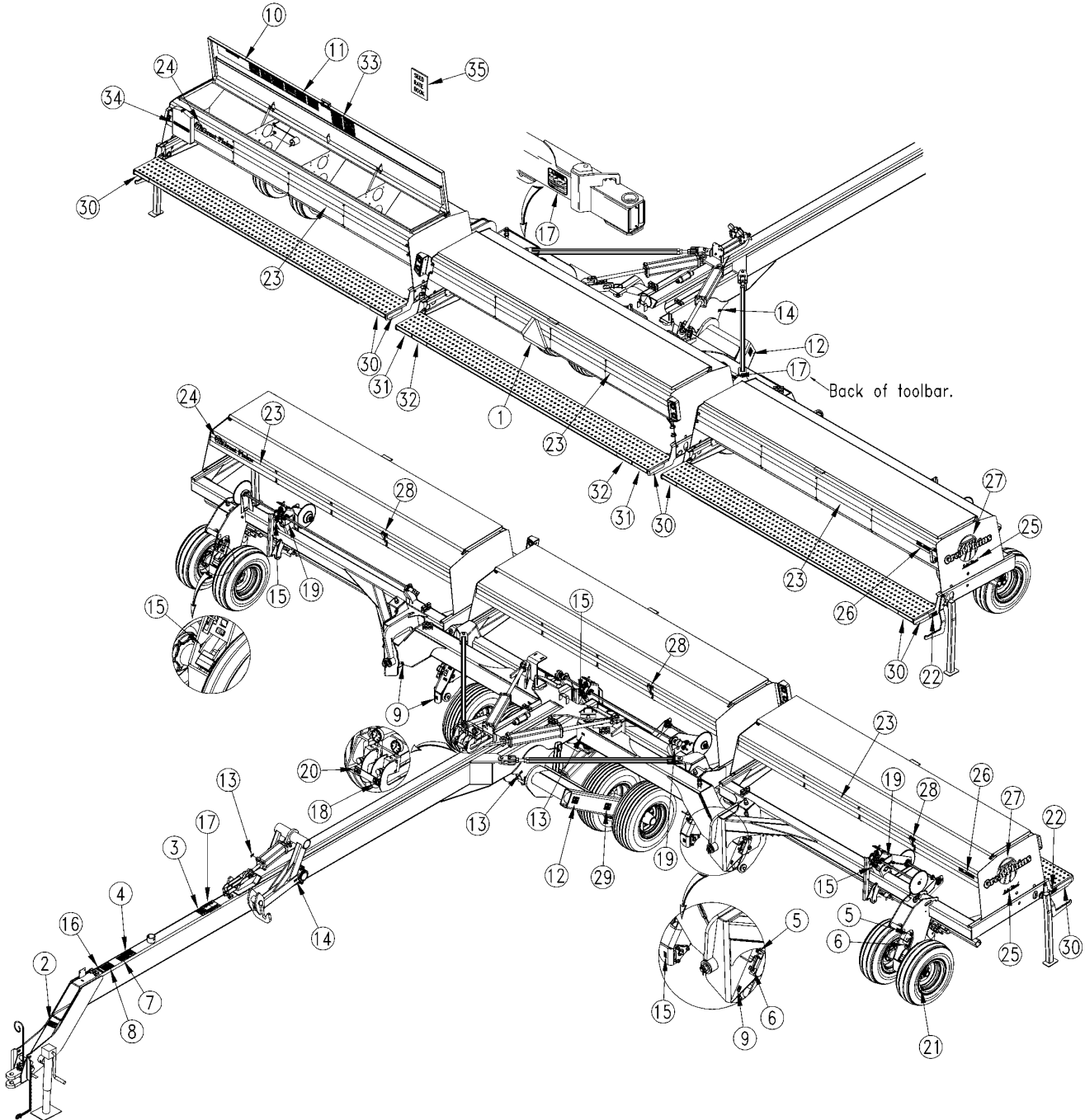
Hydraulic Hose Grips

(Applies to 3S-4000, 3S-4000F only)

Ref	Part No.	Part Description	Comments	Revision
	dwg31842	Image No.		
1.	811-826C	HG HANDLE - BLACK EXT	Used on return to tractor hose & Used on air drill fan hose.	
1.	811-914C	HG HANDLE - RED EXT	Used on field lift cylinders.	
1.	811-915C	HG HANDLE - GREEN EXT	Used on marker cylinders.	
1.	811-917C	HG HANDLE - YELLOW EXT	Used on Hydraulic Drive.	
1.	841-540C	HG HANDLE - GRAY EXT	Used on fold cylinders.	
1.	841-542C	HG HANDLE - BLUE EXT	Used on transport lift cylinders.	
2.	811-913C	HG HANDLE - BLACK RET	Used on return to tractor hose & Used on air drill fan hose.	
2.	811-827C	HG HANDLE - RED RET	Used on field lift cylinders.	
2.	811-916C	HG HANDLE - GREEN RET	Used on marker cylinders.	
2.	811-918C	HG HANDLE - YELLOW RET	Used on Hydraulic Drive.	
2.	841-541C	HG HANDLE - GRAY RET	Used on fold cylinders.	
2.	841-543C	HG HANDLE - BLUE RET	Used on transport lift cylinders.	
3.	811-919C	AD 3/4MORB 3/4FORB (HG)		

Decal Placement

(Applies to 3S-4000, 3S-4000F only)



18821

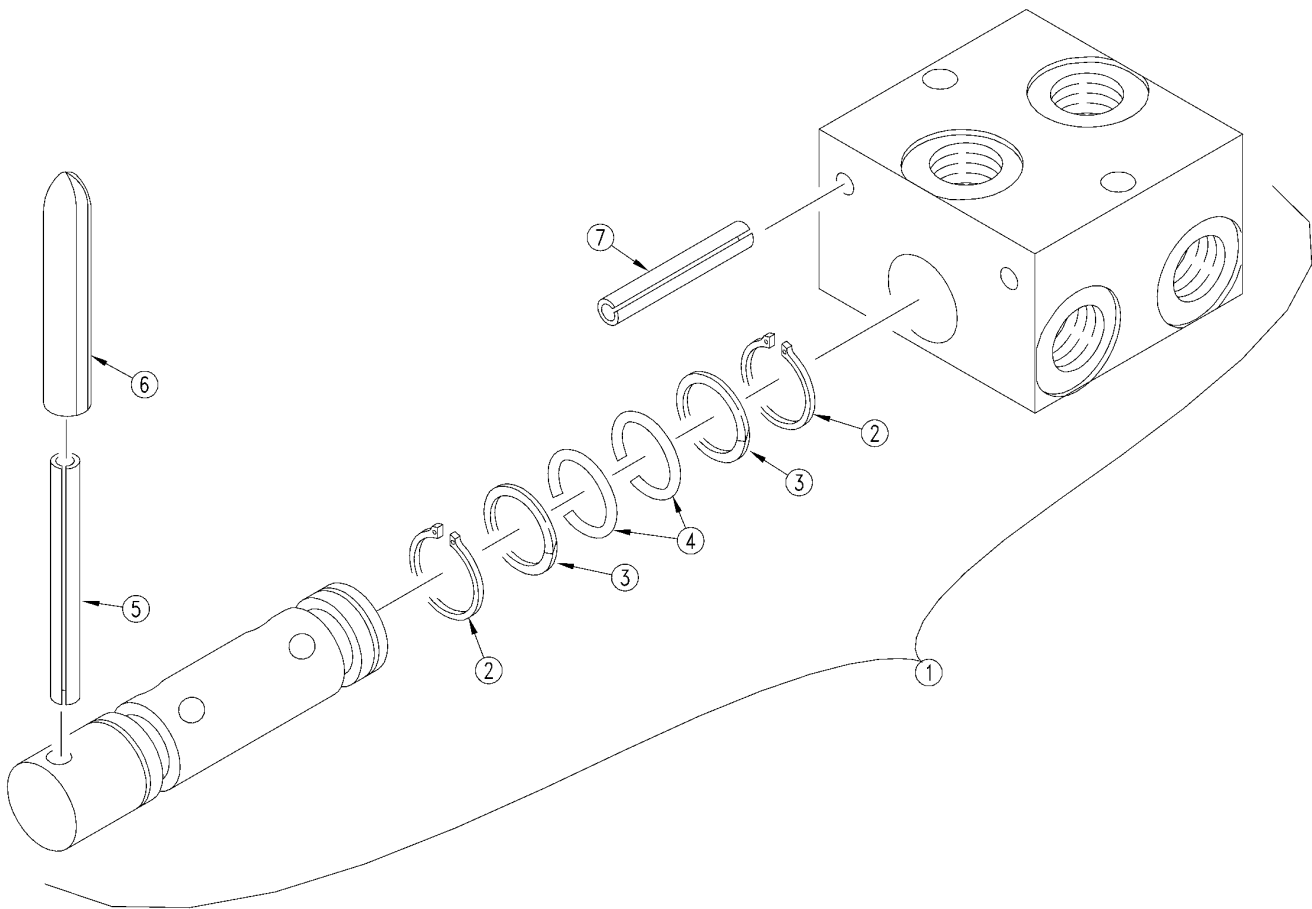
Decal Placement

(Applies to 3S-4000, 3S-4000F only)

Ref	Part No.	Part Description	Comments	Revision
	dwg18821	Image No.		
1.	818-003C	DECAL SLOW MOVING VEHICLE		
2.	818-019C	DECAL WARNING NEG TONGUE WT		
3.	818-045C	DECAL WARNING PINCH PT/CRUSH		
4.	818-078C	DECAL CAUTION FP-HC-MF-24&30		
5.	818-257C	DECAL TRANSPORT LOCK ROAD		
6.	818-258C	DECAL TRANSPORT LOCK FIELD		
7.	818-337C	DECAL WARNING 20 MPH TRANS SML		
8.	818-339C	DECAL WARNING HIGH PRESSUR SML		
9.	818-349C	DECAL GREASE 10 HRS LH		
10.	818-369C	DECAL 3PT,2&3SEC SEEDRATE 1OF2	2003-	
11.	818-370C	DECAL 3PT,2&3SEC SEEDRATE 2OF2	2003-	
12.	818-398C	DECAL CAUTION TIRES NOT A STEP		
13.	818-400C	DECAL GREASE 50 HRS LH		
14.	818-401C	DECAL GREASE 50 HRS RH		
15.	818-402C	DECAL GREASE 10 HRS RH		
16.	818-557C	DECAL DANGER CANNOT READ ENG		
17.	818-660C	DECAL TRANSPORT LOCK WARNING		
18.	818-664C	DECAL CENTER SECTION		
19.	818-708C	DECAL DRIVE TYPE&CHAIN ROUTING		
20.	818-710C	DECAL WING SECTIONS		
21.	818-855C	DECAL CAUTION TIRE 36 PSI	Used with Rib Implement Tire	
21.	838-092C	DECAL CAUTION TIRE 60PSI/85FT	Used with Skid Steer Tire	
22.	838-102C	DECAL WARNING FALLING HAZARD		
23.	838-160C	DECAL 3 COLOR STRIPE 2.50 WIDE		
24.	838-161C	DECAL LOGO&GP F/STRIPE 4 X 24		
25.	838-169C	DECAL SCRIPT SOLID STAND LARGE		
26.	838-206C	DECAL 3S-4000		
27.	838-229C	DECAL GREAT PLAINS ON LOGO LRG		
28.	838-237C	DECAL SEED LEVEL LH		
29.	838-259C	DECAL CAUTION TIRE 90 PSI/170	Used with Rib Implement Tire	
29.	838-426C	DECAL CAUTION TIRE 60 PSI/170	Used with Skid Steer Tire	
30.	838-265C	DECAL REFLECTOR AMBER 1 1/2X9		
31.	838-266C	DECAL REFLECTOR RED 1 1/2X9		
32.	838-267C	DECAL REFLECTR DAYTIME 1 1/2X9		
33.	818-371C	DECAL 3PT FERT RATE (METRIC)		
34.	838-482C	DECAL GP PLANTING COMPONENTS		
35.	195-242B	3S-4000 SEEDRATE BOOK		2004+

Double Selector Valve (810-274C)

(Applies to 3S-4000, 3S-4000F only)



14927

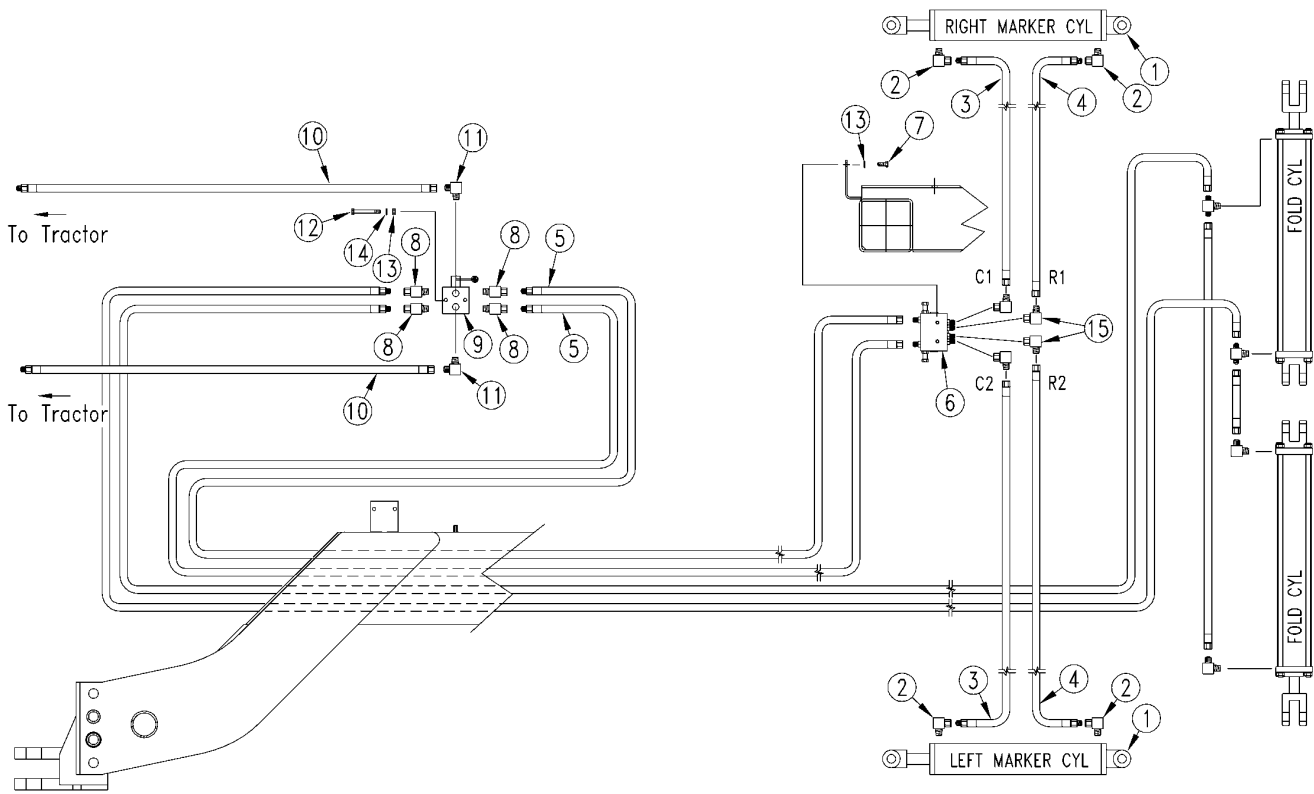
Double Selector Valve (810-274C)

(Applies to 3S-4000, 3S-4000F only)

Ref	Part No.	Part Description	Comments	Revision
	dwg14927	Image No.		
1.	810-274C	DOUBLE SELECTOR VALVE 3/4FORB		
2.	1079	RPBY SEAL KIT		
3.	1089-210	RPBY SEAL KIT 810-458C		
4.	1088-210	SHOEMAKER O-RING BUNA N 70DURO		
5.	1285	SH GROOVE PIN		
6.	817-255C	BLACK VINYL GRIP		
7.	1084	SH PIN, SPRING 0.25 DIAMETER		

Dual Marker Hydraulics

(Applies to 3S-4000, 3S-4000F only)



18825

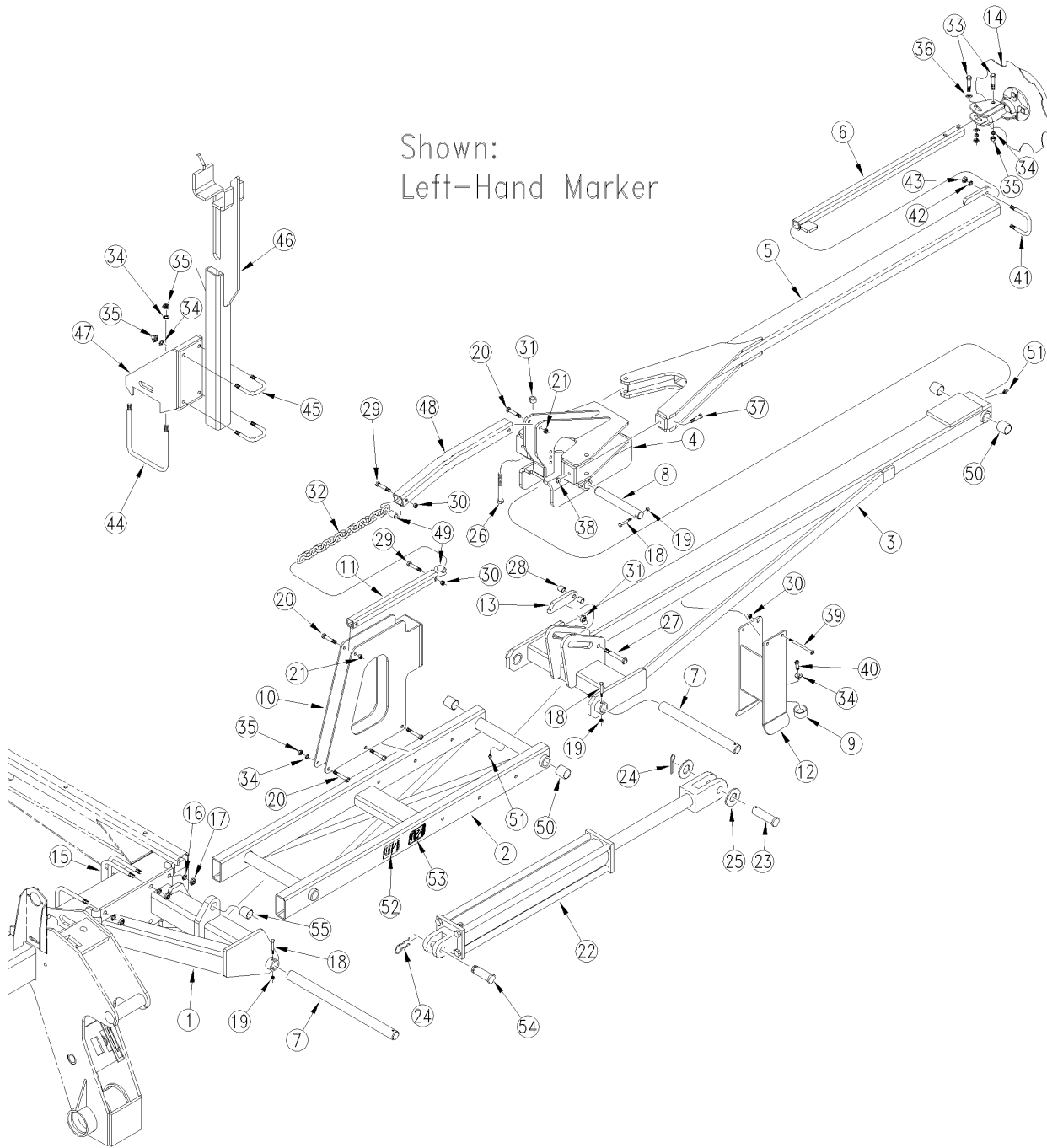
Dual Marker Hydraulics

(Applies to 3S-4000, 3S-4000F only)

Ref	Part No.	Part Description	Comments	Revision
	dwg18825	Image No.		
1.	810-423C	CYL 3X24X1.50 ROD (TIE ROD)	Refer to "Midway Hydraulic Cylinder (810-423C)" for breakdown.	
2.	811-281C	EL 3/8FNPT 9/16MORB		
3.	811-776C	HH3/8R1 270 9/16FJIC		
4.	811-777C	HH3/8R1 290 9/16FJIC		
5.	811-585C	HH3/8R1 408 1/2MNPT 9/16FJIC		
6.	810-422C	VALVE,SEQ SHOEMAKER HI FLO	Refer to "Sequence Valve (810-422C)" for breakdown.	
7.	802-014C	HHCS 3/8-16X3/4 GR5		
8.	811-021C	AD 1/2FNPTS 3/4MORB		
9.	810-274C	DOUBLE SELECTOR VALVE 3/4FORB		
10.	811-579C	HH3/8R1 096 1/2MNPT 9/16FJIC		
11.	811-171C	EL 3/4MORB 9/16MJIC		
12.	802-168C	HHCS 3/8-16X3 1/4 GR5		
13.	803-014C	NUT HEX 3/8-16 PLT		
14.	804-013C	WASHER LOCK SPRING 3/8 PLT		
15.	811-169C	EL 9/16MJIC 9/16FJIC		

Flat Fold Marker

(Applies to 3S-4000, 3S-4000F only)



18794

Flat Fold Marker

(Applies to 3S-4000, 3S-4000F only)

Ref	Part No.	Part Description	Comments	Revision
	dwg18794	Image No.		
1.	113-713H	3S-4000 MARKER MNT WLMT LH	Shown.	
1.	113-714H	3S-4000 MARKER MNT WLMT RH		
2.	113-715H	3S-4000 MARKER 1ST SEC WLMT		
3.	113-716H	3S-4000 MARKER 2ND SEC WLMT LH	Shown.	
3.	113-717H	3S-4000 MARKER 2ND SEC WLMT RH		
4.	113-792H	MARKER SHEAR BASE		
5.	113-794H	MARKER SHEAR ARM 4000		
6.	113-721H	3S-4000 MARKER EXT TUBE WLMT		
7.	113-686D	3S-4000 MARKER HINGE PIN LG		
8.	113-687D	3S-4000 MARKER HING PIN SHORT		
9.	816-170C	RD BUMP STOP 2 X 1 X 1/2-13		
10.	113-722H	3S-4000 MARKER TRANS BRC WLMT		
11.	113-685D	3S-4000 MARKER LIFT ARM		
12.	113-725H	3S-4000 MARKER REST BRKT WLMT		
13.	113-682D	3S-4000 MARKER CYL PIN LOCK		
14.	113-563S	MARKER DISC & HUB ASSEMBLY	Refer to "Marker Disc Assembly (113-563S)" for breakdown.	
15.	806-039C	U-BOLT 5/8-11 X 6 1/32 X 7 3/4		
16.	804-022C	WASHER LOCK SPRING 5/8 PLT		
17.	803-021C	NUT HEX 5/8-11 PLT		
18.	802-138C	HHCS 5/16-18X2 1/4 GR5		
19.	803-011C	NUT LOCK 5/16-18 PLT		
20.	802-099C	HHCS 1/2-13X3 1/4 GR5		
21.	803-019C	NUT LOCK 1/2-13 PLT		
22.	810-423C	CYL 3X24X1.50 ROD (TIE ROD)	Refer to "Midway Hydraulic Cylinder (810-423C)" for breakdown.	
23.	805-131C	PIN CLEVIS 1 X 4 11/16 USABLE		
24.	805-058C	PIN COTTER 3/16 X 2		
25.	804-028C	WASHER FLAT 1 USS PLT		
26.	802-062C	HHCS 5/8-11X5 GR5		
27.	802-100C	HHCS 5/8-11X4 1/2 GR5		
28.	113-683D	3S-4000 MARKER CYL PIN SPACER		
29.	802-114C	HHCS 3/8-16X2 1/2 GR5		
30.	803-013C	NUT LOCK 3/8-16 PLT		
31.	803-024C	NUT LOCK 5/8-11 PLT		
32.	113-717D	CHAIN COIL 1/4 HIGH TEST 73 IN		
33.	802-039C	HHCS 1/2-13X3 GR5		
34.	804-015C	WASHER LOCK SPRING 1/2 PLT		
35.	803-020C	NUT HEX 1/2-13 PLT		
36.	804-017C	WASHER FLAT 1/2 USS PLT		
37.	802-589C	HHCS 7/16-14X2 GR5		
38.	803-200C	NUT HEX LOCK 7/16-14 PLT		
39.	802-381C	HHCS 3/8-16X6 GR5		
40.	802-032C	HHCS 1/2-13X3/4 GR5		
41.	806-162C	U-BOLT 3/8-16X 1 17/32 X 3 3/4		
42.	804-013C	WASHER LOCK SPRING 3/8 PLT		
43.	803-014C	NUT HEX 3/8-16 PLT		
44.	806-060C	U-BOLT 1/2-13 X 6 1/32 X 7 1/4		
45.	806-066C	U-BOLT 1/2-13X3 1/32X4		
46.	113-723H	3S-4000 MARKER TRANS REST WLMT		
47.	113-724H	3S-4000 MARKER TRANS MNT WLMT		
48.	113-790D	MARKER LIFT ARM TUBE BENT		
49.	123-199D	TUBE RND .62ODX.385IDX1.06 LG		
50.	890-143C	1 1/4 X 1 X 3/4 HDR BUSHING		
51.	800-001C	GREASE ZERK STRAIGHT 1/4-28		
52.	818-579C	DECAL WARNING PINCH/SHEAR HAZ		
53.	818-580C	DECAL WARNING OVERHEAD MKR HAZ		

Flat Fold Marker (continued)

(Applies to 3S-4000, 3S-4000F only)

Ref	Part No.	Part Description	Comments	Revision
54.	805-004C	PIN CLEVIS 1 X 2 3/4 USABLE LG		
55.	890-005C	BUSHING CYL 1 1/4 X 1 X 1		

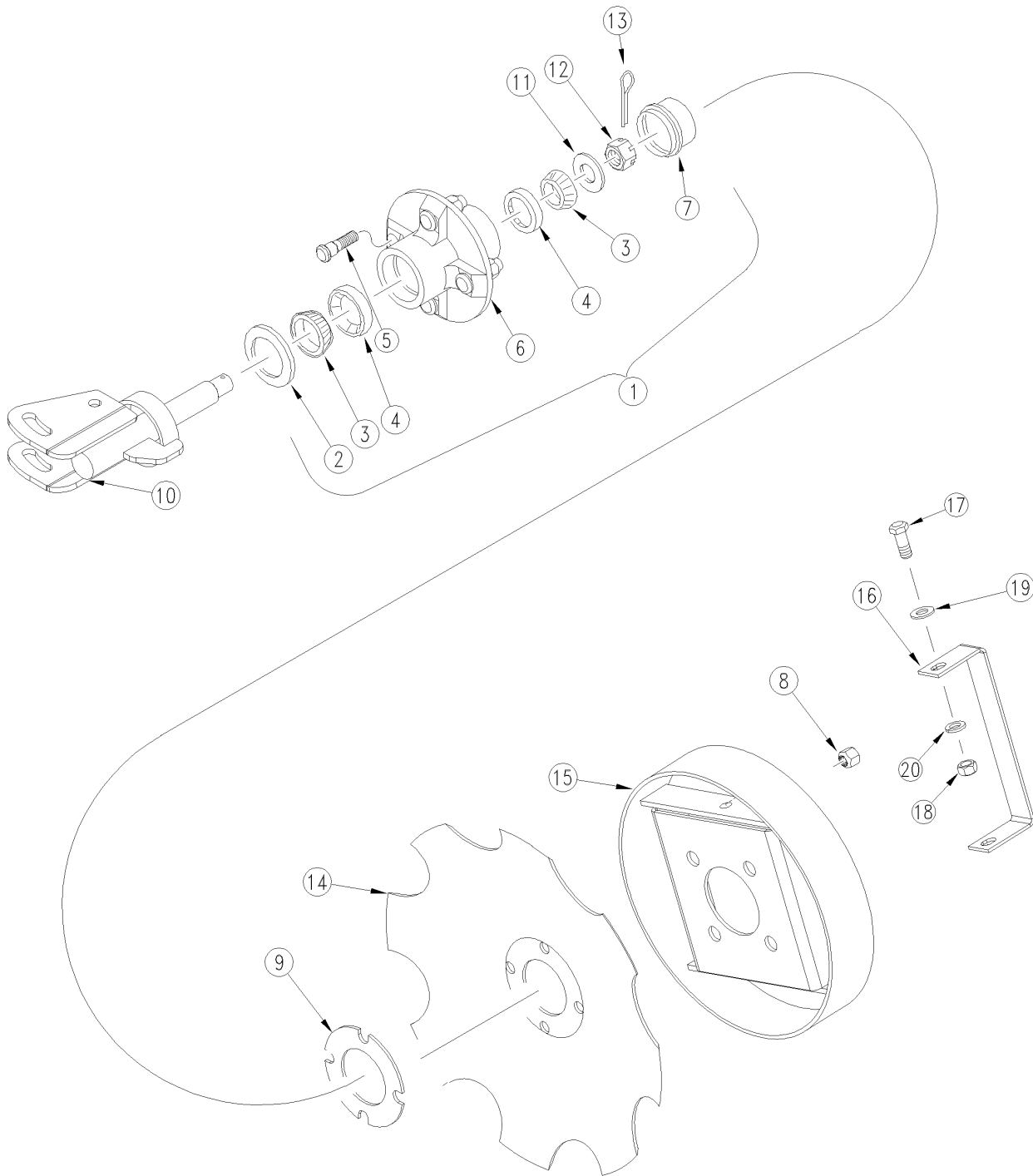
Flat Fold Marker (continued)

(Applies to 3S-4000, 3S-4000F only)

This Page Intentionally Left Blank

Marker Disc Assembly (113-563S)

(Applies to 3S-4000, 3S-4000F only)



15481

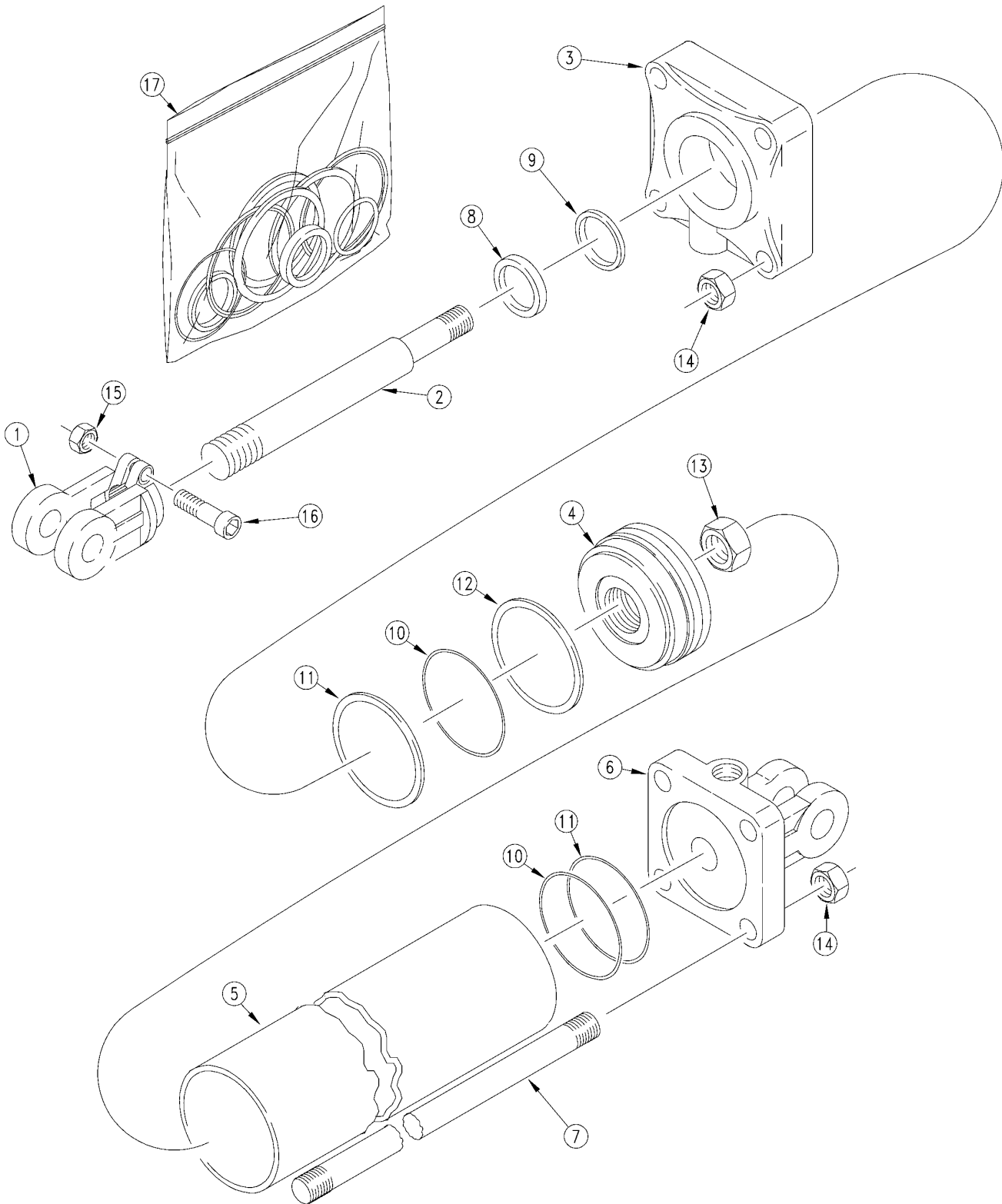
Marker Disc Assembly (113-563S)

(Applies to 3S-4000, 3S-4000F only)

Ref	Part No.	Part Description	Comments	Revision
	dwg 15481	Image No.		
1.	815-001C	TINE GW HUB	Includes 2 - 8.	
2.	816-014C	TINE GAUGE WHEEL HUB SEAL		
3.	822-030C	BEARING CONE 1		
4.	822-080C	BEARING CUP L44610		
5.	BO-47	NEILSON STUD 1/2-20UNFX1 13/16		
6.	1-100-02-00	RELIABLE HUB 4 BOLT		
7.	890-614C	GREASE CAP #1505		
8.	803-159C	NUT LUG 1/2-20X60DEG PLT(.75AF		
9.	116-353D	BLADE SPACER		
10.	113-562H	1 SPINDLE MARKER WELDMENT		
11.	804-025C	WASHER FLAT 3/4 SAE PLT		
12.	803-053C	NUT HEX SLOTTED 3/4-16		
13.	805-019C	PIN COTTER 5/32 X 1 PLT		
14.	820-094C	16 4-BOLT NOTCHED MARKER DISK		
15.	113-369H	DEPTH BAND 10 4-BOLT 4B.C.		
16.	116-354D	MARKER DISC SAFETY STRAP		
17.	802-017C	HHCS 3/8-16X1 GR5		
18.	803-014C	NUT HEX 3/8-16 PLT		
19.	804-012C	WASHER FLAT 3/8 SAE PLT		
20.	804-013C	WASHER LOCK SPRING 3/8 PLT		

Midway Hydraulic Cylinder (810-423C)

(Applies to 3S-4000, 3S-4000F only)



18964

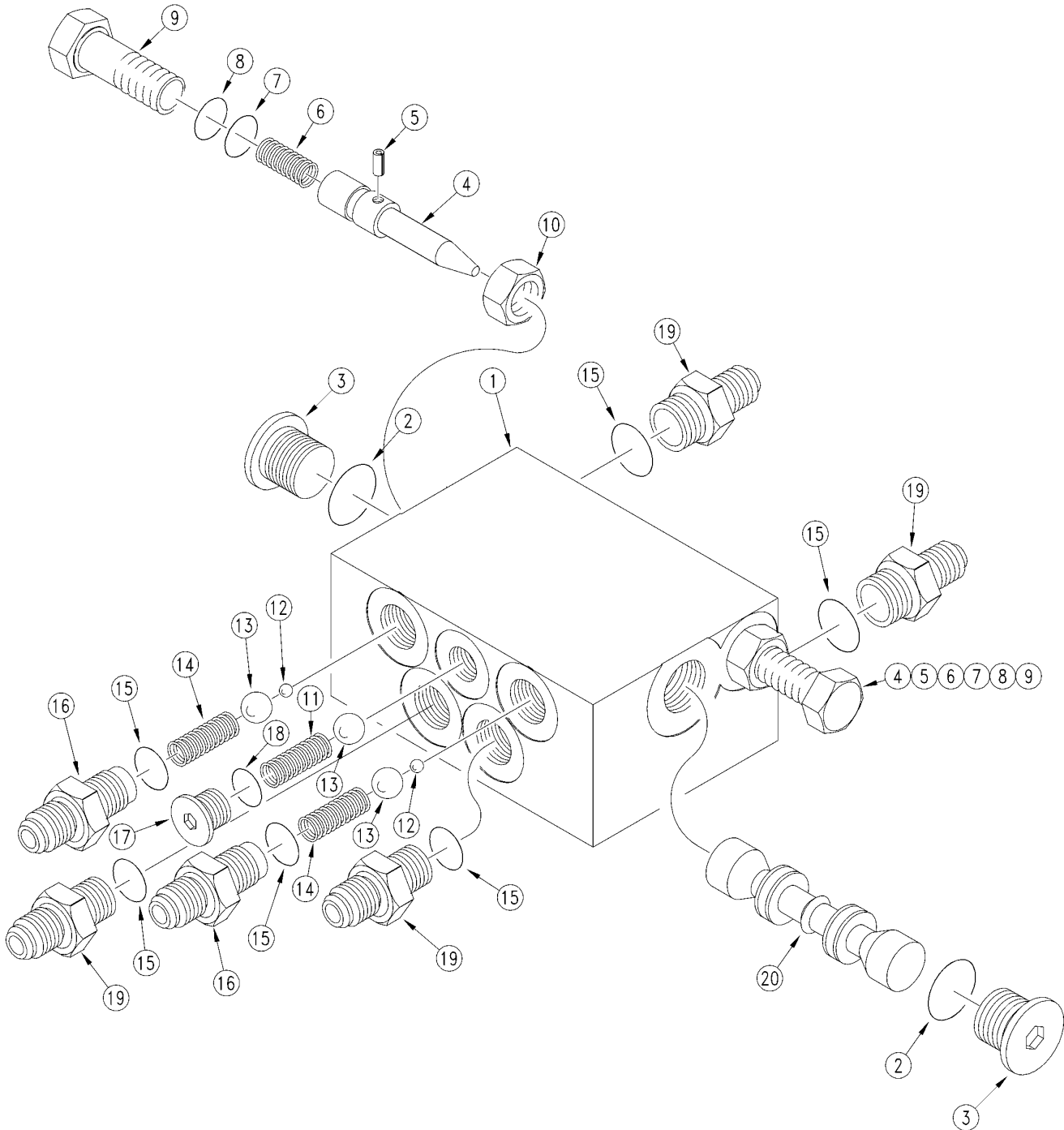
Midway Hydraulic Cylinder (810-423C)

(Applies to 3S-4000, 3S-4000F only)

Ref	Part No.	Part Description	Comments	Revision
	dwg18964	Image No.		
1.	1M7016	CLEVIS ROD MIDWAY		
2.	2M4532	MW ROD		
3.	3R1510	MW HEAD		
4.	4M4108	MW PISTON		
5.	5M4132	MW TUBE		
6.	6R1144	BASE MIDWAY		
7.	7M4332	MW TIE ROD		
8.		MW WIPER	Only found in seal kit 17	
9.		MW U-CUP	Only found in seal kit 17	
10.		MW O-RING	Only found in seal kit 17	
11.		MW BACKUP	Only found in seal kit 17	
12.		MW CROWN SEAL	Only found in seal kit 17	
13.	2A0024	MW PISTON NUT 1-14		
14.	2A0014	MW TIE ROD NUT		
15.	2A0012	RPBY 803-234C		
16.	2A0006	RPBY 802-023C		
17.	810-430C	SEAL KIT MW 3 CYL 5A4106		

Sequence Valve (810-422C)

(Applies to 3S-4000, 3S-4000F only)



12024

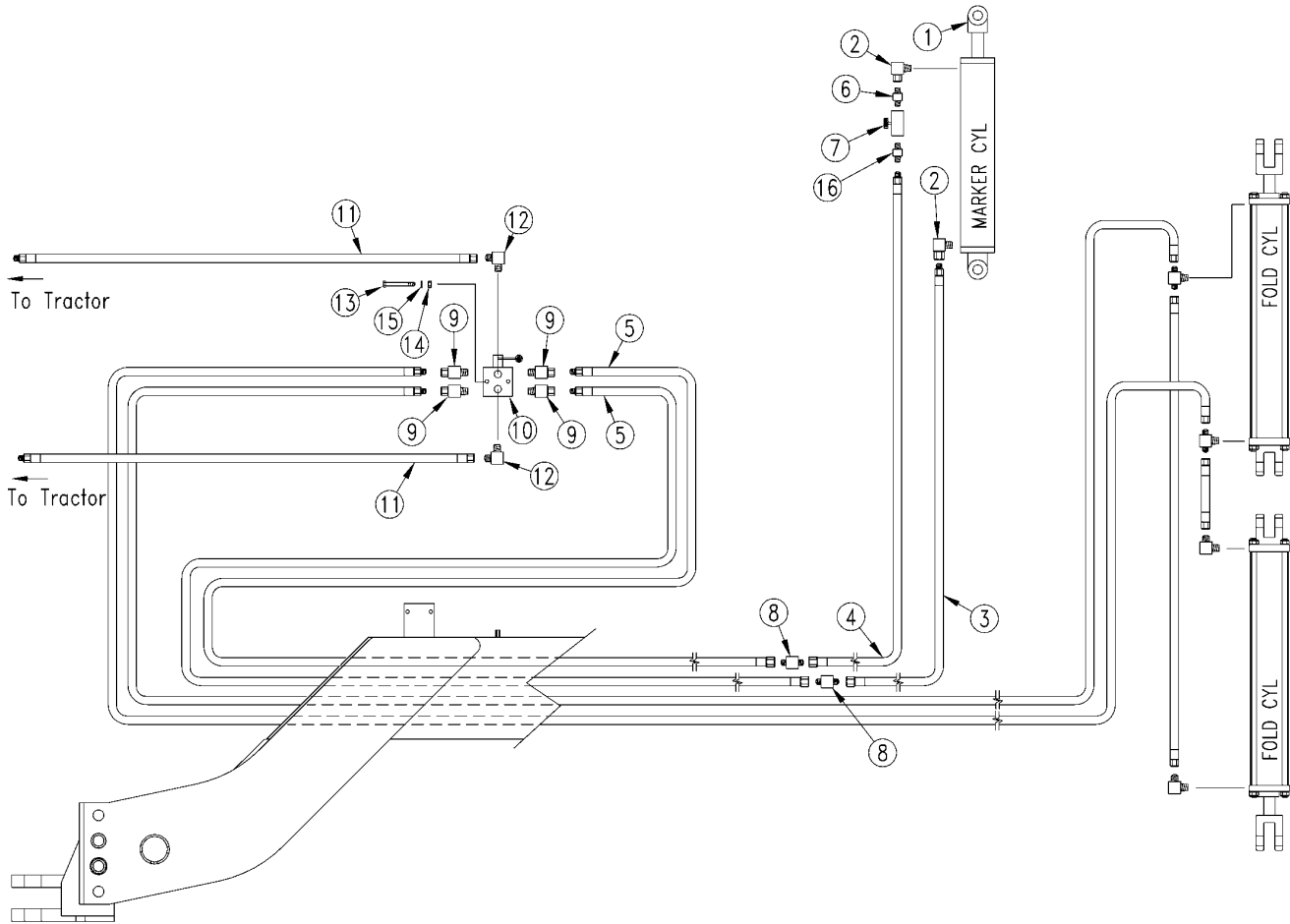
Sequence Valve (810-422C)

(Applies to 3S-4000, 3S-4000F only)

Ref	Part No.	Part Description	Comments	Revision
	dwg12024	Image No.		
1.	3089	SHOEMAKER BODY MKR SEQ VALVE		
2.	1088-908	SHOEMAKER O-RING		
3.	1132-08	SHOEMAKER PLUG, HEX SOCKET		
4.	1179	SHOEMAKER NEEDLE, FLOW CONTROL		
5.	1217	SHOEMAKER .125 SPRING PIN		
6.	1211	SHOEMAKER SPRING COMPRESSION		
7.	1088-011	RPBY 1100-011		
8.	1089-011	RPBY SEAL KIT		
9.	1180	SHOEMAKER SCREW, FLOW CON.ADJ.		
10.	1218	SHOEMAKER HEX, JAM NUT Z PLTD.		
11.	1099	RPBY SEAL KIT		
12.	1087-250	RPBY SEAL KIT		
13.	1087-437	RPBY SEAL KIT		
14.	1042	RPBY SEAL KIT		
15.	1088-906	SHOEMAKER O-RING		
16.	1182	SHOEMAKER FITTING PORT ADPT.		
17.	1132-05	SHOEMAKER HEX, SKT O-RING PLUG		
18.	1088-905	SHOEMAKER O-RING		
19.	1092-6	RPBY 1092-6-6		
20.	2154	SHOEMAKER SPOOL, MKR SEQ. .076		

Single Marker Hydraulics

(Applies to 3S-4000, 3S-4000F only)



18823

Single Marker Hydraulics

(Applies to 3S-4000, 3S-4000F only)

Ref	Part No.	Part Description	Comments	Revision
	dwg18823	Image No.		
1.	810-423C	CYL 3X24X1.50 ROD (TIE ROD)	Refer to "Midway Hydraulic Cylinder (810-423C)" for breakdown.	
2.	811-281C	EL 3/8FNPT 9/16MORB		
3.	811-776C	HH3/8R1 270 9/16FJIC		
4.	811-777C	HH3/8R1 290 9/16FJIC		
5.	811-585C	HH3/8R1 408 1/2MNPT 9/16FJIC		
6.	811-044C	AD 3/8MNPT		
7.	810-058C	VALVE 3/8 NEEDLE		
8.	811-315C	AD 9/16MJIC		
9.	811-021C	AD 1/2FNPTS 3/4MORB		
10.	810-274C	DOUBLE SELECTOR VALVE 3/4FORB	Refer to "Double Selector Valve (810-274C)" for breakdown.	
11.	811-579C	HH3/8R1 096 1/2MNPT 9/16FJIC		
12.	811-171C	EL 3/4MORB 9/16MJIC		
13.	802-168C	HHCS 3/8-16X3 1/4 GR5		
14.	803-014C	NUT HEX 3/8-16 PLT		
15.	804-013C	WASHER LOCK SPRING 3/8 PLT		
16.	811-151C	AD 9/16MJIC 3/8MNPT		



Part Number Index

The Part Number Index is a numeric index of all part numbers included in this manual. The index shows what page(s) the part is used on.

Part Number	Page	Part Number	Page	Part Number	Page	Part Number	Page
1-100-02-00	191	118-444H	81	133-323H	123	194-086H	115
1042	195	118-466D	79	133-324K	121	194-086h	37
107-111D	127	118-467D	77	133-380H	55	194-087H	45, 119
107-113D	127	118-468D	79	133-381K	55	194-106H	11
107-133S	127	118-508D	69, 71, 73, 75,	136-027D	107	194-123K	39, 47
1079	183		77, 79	136-064D	105, 121	194-129H	25, 39, 47
1084	183	1180	195	136-078D	121	194-134H	23
1087-250	195	1182	195	136-111D	93, 95, 113, 115,	194-135H	61, 63
1087-437	195	119-153D	41, 43		117, 119	194-155H	39, 47
1088-011	195	119-154D	41, 43	136-122D	93, 95, 113, 115,	194-156H	25, 39, 47
1088-210	183	119-190D	29, 37, 45, 55		117, 119	194-179H	39
1088-905	195	120-198D	87	136-151D	105	194-180H	47
1088-906	195	120-247D	25, 39, 47	136-154D	121	194-181H	25
1088-908	195	121-151D	127	136-173D	113, 115, 117,	194-182H	29, 37, 115, 121
1089-011	195	121-152D	127		119	194-183H	29, 45, 119, 121
1089-210	183	121-154D	127	136-207D	105	194-184H	23, 29, 121
109-025H	81	121-164D	127	141-084D	33	194-187H	21
109-069D	81	121-166D	127	142-198D	127	194-188H	21
109-091D	69, 71, 73, 75,	121-167D	127	148-613D	23, 29, 37, 45	194-189H	13
	77, 79	121-169D	127	150-138D	23, 57	194-190H	9
1092-6	195	121-702H	127	152-044D	73, 75	194-191H	59
1099	195	121-703H	127	152-262D	91, 101, 103, 111	194-192H	59
113-271D	95	121-762S	127	152-263D	99	194-194H	11
113-369H	191	121-763S	127	152-390D	87	194-195H	97
113-370D	9, 21, 29, 37, 45	1211	195	152-597D	89	194-198H	13
113-562H	191	1217	195	166-389D	123	194-249D	145
113-563S	187	1218	195	168-127D	125	194-270D	19
113-682D	187	122-041D	141, 143	168-240D	95	194-273D	23, 37
113-683D	187	122-094D	143	170-033H	9	194-274D	23, 45
113-685D	187	122-103S	143	170-034H	9	194-401D	13
113-686D	187	122-110D	141	171-043D	65	194-402D	13
113-687D	187	122-117S	141	171-101H	65	194-472D	21
113-713H	187	122-120D	129	171-102H	65	194-473D	19
113-714H	187	122-151D	129	175-102H	33	194-495D	21
113-715H	187	122-173H	129	175-146H	41, 43	194-516D	25, 39, 47
113-716H	187	122-197V	143	175-180S	41, 43	194-525D	21
113-717D	187	122-198V	141	175-182H	33	194-526D	21
113-717H	187	122-201S	129	175-183H	33	194-527D	21
113-721H	187	122-202S	135, 137, 139,	175-184H	33	194-577D	21
113-722H	187		141, 143	175-190S	27	195-007D	105
113-723H	187	122-231A	129	175-219H	29	195-062H	63
113-724H	187	122-242S	127	175-233D	69, 71, 73, 75,	195-063H	63
113-725H	187	123-050H	53		77, 79	195-064H	63
113-790D	187	123-113D	53	175-280D	69, 71	195-100D	23, 29, 37, 45
113-792H	187	123-116D	53	175-289D	27	195-101D	23, 29, 37, 45
113-794H	187	123-118D	53	175-325D	31	195-102D	23, 29, 37, 45
1132-05	195	123-199D	187	175-326D	31	195-108D	97
1132-08	195	123-356D	53	175-327D	31, 49	195-109D	93, 95, 121
116-019D	85	123-409D	53	175-331D	31	195-121D	61
116-020D	85	123-410D	53	175-332D	49	195-122D	61
116-132K	83	123-476H	53	175-338D	33	195-124H	51
116-181D	83	123-491D	55	175-341D	33	195-129H	97, 117, 119
116-353D	191	123-492D	55	176-042S	91, 101, 103,	195-130H	99
116-354D	191	123-832H	125		109, 111	195-131H	99
1179	195	123-834H	53	176-065D	103, 109	195-144D	99
118-226S	69, 71, 73, 75,	123-939H	133	176-066D	93, 95, 109	195-152D	97
	77, 79	1285	183	176-076D	109	195-152K	113, 117
118-336D	69, 71, 73, 75,	133-024D	125	176-078D	109	195-153D	97
	77, 79	133-056D	53	176-080D	109	195-153H	107
118-338D	69, 71, 79	133-061H	53	176-084D	109	195-154H	107
118-341D	69, 71, 73, 75,	133-062H	53	181-064D	15	195-155H	107
	77, 79	133-063H	53	185-014D	11	195-156H	107
118-431D	73, 75	133-064H	53	188-001V	127	195-157D	97
118-432D	73, 75, 79	133-065D	131	191-001D	33	195-157H	107
118-433D	73, 75	133-070D	61, 63	191-002D	33	195-158H	107
118-434D	73, 75	133-101D	123	191-018D	33	195-159D	23, 37, 45
118-437D	75, 77, 79	133-147D	53	194-028H	21	195-159H	107
118-438D	77, 79	133-153K	55	194-058D	67	195-160D	23, 37, 45
118-440D	79	133-155K	55	194-059D	67	195-160H	103
118-443H	81	133-157K	55	194-070D	9	195-169D	119

[Table of Contents](#) [Part Number Index](#)



Part Number Index (continued)

Part Number	Page	Part Number	Page	Part Number	Page	Part Number	Page
195-170D	91	196-136H	9	318917	85	800-435C	89
195-172D	93, 95, 113, 115	196-145V	13	318951	85	801-001C	53, 81
195-177S	43	196-146D	23, 37, 45, 145	39680008	151	801-002C	127, 131, 133
195-181H	27	196-208K	15	3R0122	155	801-003C	53
195-182H	27	196-272K	16	3R1510	193	801-009C	33
195-183H	27	196-273K	16	3R5412	157	801-016C	83
195-187K	105, 115, 119	196-274K	87, 89	3R5712	153	801-018C	61, 63
195-188H	25, 39, 47	196-275K	87, 89	3R6012	159	801-023C	89
195-189D	113, 115	196-429D	149	402-050D	115, 119	801-035C	53, 69, 71, 73, 75, 77, 79
195-192D	31	196-539K	16	402-051D	115, 119		
195-193H	61, 63	196-540K	16	402-376D	115, 119	801-057C	69, 71, 73, 75, 77, 79
195-194D	27	196-541K	15	403-751D	115, 119		
195-197D	31, 43, 49	196-542K	87, 89	4M2102	155	801-067C	83, 95
195-198D	43	196-543K	87, 89	4M4108	193	801-076C	61, 63
195-205D	29	196-885D	23, 145	4M6108	153, 157, 159	801-081C	23, 57
195-206D	29	197-001D	19, 21	500-090B	151	801-084C	129
195-207D	29	197-089D	51	502-068D	21	801-096C	51
195-208D	27	197-091D	51	5070	175	801-141C	129
195-210D	107	197-096D	51	5075	175	801-154C	51
195-222D	103	197-148K	87, 89	540017	85	801-172C	95
195-223K	35	197-189K	87, 89	5M2116	155	801-199C	85
195-224K	35	198-137D	135, 137, 139, 141, 143	5M4132	193	802-004C	37, 53, 69, 71, 73, 75, 77, 79, 111
195-225K	35			5M6124	157		
195-229D	87	199-022H	135	5M6128	159		
195-232H	113, 115, 117, 119	199-030D	141	61010016	151	802-005C	27, 135
		199-031D	143	61010039	151	802-007C	21, 23, 81
195-234D	87	199-042D	137, 139	61011003	151	802-010C	9, 145
195-236D	75	1M6006	155	6R0032	155	802-012C	23, 37, 45, 99
195-237D	79	1M7016	153, 157, 159, 193	6R1144	193	802-014C	69, 71, 73, 75, 77, 79, 81, 185
195-238D	71			6R5162	157, 159		
195-242B	37, 181	200-006D	15	6R5164	153	802-015C	41, 43, 127
195-243D	93, 95, 113, 115, 117, 119, 121	206-014S	129	710425	85	802-017C	27, 63, 91, 99, 101, 103, 111, 129, 191
		2154	195	770026	85		
195-244D	73	248-251D	37	7M2316	155	802-022C	67
195-244H	23, 37, 45, 55	253000	83	7M4332	193	802-023C	159
195-245D	77	253001	83	7M6318	153	802-026C	169, 171
195-246D	69	253016	85	7M6324	157	802-030C	63
195-246K	93, 95	253017	85	7M6328	159	802-032C	115, 187
195-253H	81	253100	85	800-001C	13, 21, 39, 47, 97, 187	802-034C	23, 29, 37, 45, 61, 63, 107, 121
195-254D	99	253700	83	800-003C	81	802-039C	9, 113, 115, 117, 119, 123, 187
195-256D	97	253701	83	800-004C	69, 71, 73, 75, 77, 79	802-041C	93, 95, 105, 107, 113, 115, 117, 119, 121
195-257D	93, 95, 121	2A0006	153, 155, 157, 193	800-008C	127, 131		
195-258D	93, 95, 121			800-009C	69, 71, 73, 75, 77, 79, 127	802-045C	127
195-259D	117	2A0012	153, 155, 157, 159, 193	800-012C	31, 33	802-055C	65
195-260D	117, 119			800-016C	97, 131	802-058C	135, 137, 139
195-265D	87	2A0014	193	800-028C	53	802-059C	141
195-268D	107	2A0018	153, 157, 159	800-030C	33	802-062C	187
195-269H	107	2A0022	155	800-032C	33	802-068C	39, 47
195-270D	105, 121	2A0024	153, 157, 159, 193	800-052C	85	802-069C	15
195-271D	105			800-058C	25, 39, 47, 91, 101, 103, 111	802-078C	31, 49, 53
195-272D	105, 115	2A0042	159	800-064C	23	802-079C	23, 29, 33, 37, 45, 63, 99
195-272K	105, 121	2A0052	157, 159	800-082C	57, 161, 163, 165, 167, 169, 171		
195-273S	105	2A0132	153, 155, 157, 159	800-093C	129	802-082C	25, 39, 47, 61
195-280H	101			800-101C	51, 53	802-088C	21, 89
195-310H	63	2A0208	153, 155, 157, 159	800-107C	69, 71, 73, 75, 77, 79	802-091C	105
195-311H	63			800-112C	23, 57, 83	802-092C	33, 53, 115, 119
195-321S	115, 119	2A0245	159	800-121C	41, 43	802-095C	25, 39, 47
195-340D	63	2A0275	159	800-148C	23	802-099C	187
195-351D	87	2A0426	159	800-177C	109	802-100C	187
195-352D	87, 89	2A0458	159	800-213C	127	802-103C	23
195-355D	87, 89	2M2316	155	800-310C	129	802-104C	87, 89
195-375D	115	2M4532	193	800-321C	133	802-106C	97
195-376D	115, 119	2M6108	153	800-322C	127	802-114C	187
195-378D	119	2M6470	153			802-119C	143
195-390H	89	2M6526	157			802-121C	127
195-391H	89	2M6628	159			802-128C	11
195-398H	87	30102360	165, 167			802-130C	107
195-424D	89	30102754	151				
195-425D	89	3089	195				
195-426D	89	313-176D	41, 43				
196-112D	9, 21, 29, 37, 45	313-186D	41, 43				

[Table of Contents](#) [Part Number Index](#)



Part Number Index (continued)

Part Number	Page	Part Number	Page	Part Number	Page	Part Number	Page
802-138C	21, 23, 29, 37, 45, 187	803-016C	81	804-011C	21, 23, 29, 37, 45, 99, 129, 169, 171	805-058C	187
802-139C	25	803-019C	187	804-012C	53, 69, 71, 73, 75, 77, 79, 81, 127, 129, 191	805-067C	51, 97, 125
802-148C	33, 53	803-020C	9, 11, 23, 25, 29, 37, 39, 45, 47, 61, 63, 97, 99, 105, 107, 121, 125, 187	804-013C	23, 29, 33, 37, 45, 55, 63, 67, 69, 71, 73, 75, 77, 79, 81, 99, 127, 129, 185, 187, 191, 197	805-076C	53
802-151C	143	803-021C	21, 65, 89, 123, 187	804-014C	63	805-083C	99
802-152C	91, 101, 103	803-024C	187	804-015C	9, 11, 23, 25, 29, 37, 39, 45, 47, 61, 63, 93, 95, 97, 99, 105, 107, 113, 115, 117, 119, 121, 123, 125, 187	805-085C	19, 21
802-155C	21	803-026C	15, 25, 39, 47	804-016C	11, 23, 55, 57, 63, 97, 105, 125	805-104C	11, 13, 25, 39, 47, 59
802-162C	123	803-027C	39, 47, 65	804-017C	9, 187	805-109C	99, 127
802-167C	57	803-028C	21, 25, 39, 47	804-019C	65	805-124C	11, 13
802-168C	145, 185, 197	803-029C	15	804-021C	81	805-127C	127
802-178C	21	803-031C	13, 25, 39, 47	804-022C	21, 65, 89, 123, 135, 137, 139, 141, 143, 187	805-131C	187
802-182C	15	803-032C	23	804-023C	39, 47, 65	805-148C	87, 89
802-196C	27, 35, 81	803-034C	9, 59	804-025C	25, 39, 47, 191	805-154C	135, 137, 139, 141, 143
802-197C	141	803-035C	53, 81	804-027C	13, 25, 39, 47	805-180C	91, 93, 95, 97, 101, 103, 105, 107, 113, 115, 117, 119, 121, 123
802-203C	23, 29, 37, 45, 55, 57, 125	803-036C	93, 95, 105, 107, 113, 115, 117, 119, 121, 123, 127	804-028C	187	805-186C	135, 137, 139, 141, 143
802-205C	13	803-037C	127	804-029C	13	805-187C	59
802-214C	125	803-049C	23	804-030C	9, 23	805-197C	61, 63
802-228C	127	803-053C	191	804-031C	69, 71, 73, 75, 77, 79	805-234C	127
802-252C	21, 33	803-058C	53	804-035C	19, 21	805-236C	25, 39, 47
802-256C	119	803-064C	83, 95	804-036C	21, 23, 41, 43, 81, 123	805-240C	93, 95, 107, 113, 115, 117, 119
802-257C	85	803-068C	63	804-037C	23	805-249C	87
802-282C	93, 95, 97, 105, 107, 113, 115, 117, 119, 121, 123, 125	803-072C	23	804-040C	81, 127	806-020C	121
802-283C	13	803-079C	19, 21	804-042C	53	806-039C	187
802-375C	27, 31, 35, 43	803-088C	27, 31, 33, 35, 43, 81, 85, 135, 137, 139	804-043C	83, 95	806-060C	105, 187
802-377C	105	803-159C	191	804-044C	53	806-066C	99, 187
802-381C	187	803-169C	23, 29, 37, 45, 55, 57, 95, 125, 127, 135, 137, 139, 141, 143	804-046C	53	806-093C	65
802-387C	23, 27, 29, 37, 45	803-177C	29, 141, 143	804-048C	33	806-162C	187
802-388C	55	803-193C	127	804-061C	93, 95, 121, 123	807-072C	99
802-411C	41, 43	803-194C	69, 71, 73, 75, 77, 79	804-075C	51, 161, 163, 165, 167, 169, 171	807-073C	9
802-413C	95	803-199C	23, 27, 29, 37, 45	804-078C	129	807-097C	93, 95, 109, 121
802-418C	115, 119	803-200C	187	804-082C	11, 13	807-101C	129
802-421C	135, 137, 139, 141, 143	803-208C	87	804-088C	83, 95	807-106C	41, 43, 135, 137, 139, 141, 143
802-425C	41, 43	803-209C	21, 27, 41, 43, 63	804-095C	21, 87, 89, 123	807-159C	127
802-426C	23	803-215C	91, 99, 101, 103, 111	804-098C	87	808-086C	33
802-442C	29	803-219C	15, 16	804-113C	93, 95, 105, 107, 113, 115, 117, 119, 121, 123, 125	808-143C	93, 95, 105, 113, 115, 117, 119
802-543C	9	803-230C	57	804-134C	23	808-146C	123
802-544C	9	803-239C	87, 89	804-154C	127	808-170C	125
802-550C	127	803-263C	87, 89	804-182C	87, 89	808-194C	121, 123
802-551C	161, 163, 165, 167, 169, 171	803-293C	37	805-004C	188	808-240C	103, 111
802-589C	187	803-310C	127	805-016C	15, 81	808-256C	93, 95, 105, 113, 115, 117, 119, 121
802-617C	137	804-001C	81	805-019C	53, 191	808-257C	93, 95, 113, 115, 117, 119
802-618C	139	804-002C	53, 81	805-023C	69, 71, 73, 75, 77, 79	808-258C	93, 95, 113, 115, 117, 119
802-633C	33	804-003C	53, 81	805-024C	109	808-259C	93, 95, 113, 115, 117, 119, 123
802-662C	39, 47	804-004C	51, 53	805-026C	111	808-260C	107
802-687C	87, 89	804-006C	33, 53, 61, 63, 91, 101, 103, 111, 161, 163, 165, 167, 169, 171	805-030C	87	808-287C	87
803-001C	51, 53	804-007C	31	805-032C	61, 63	808-413C	87
803-003C	51	804-009C	9, 21, 23, 29, 33, 37, 45, 81, 93, 95, 97, 105, 107, 113, 115, 117, 119, 121, 123, 125, 145			808-450C	115, 119
803-006C	33, 53, 61, 63, 161, 163, 165, 167, 169, 171					810-013C	153
803-007C	27, 49, 53					810-014C	159
803-008C	33, 81, 93, 95, 97, 99, 105, 107, 113, 115, 117, 119, 121, 123, 125					810-020C	11, 177
803-011C	23, 37, 41, 43, 45, 187					810-058C	197
803-013C	145, 169, 171, 187					810-060C	157
803-014C	23, 29, 33, 37, 45, 55, 67, 99, 127, 185, 187, 191, 197					810-274C	145, 183, 185, 197
803-015C	63					810-293C	165, 167



Part Number Index (continued)

Part Number	Page	Part Number	Page	Part Number	Page	Part Number	Page
810-299C	25, 39, 47, 161, 163, 165, 167, 169, 171	811-416C	161, 163, 165, 167, 169, 171	816-035C	16, 87, 89	817-423C	113, 115, 117, 119
810-300C	161, 163, 165, 167, 169, 171	811-430C	163, 167, 171	816-112C	53	817-504C	53
810-301C	161, 163, 165, 167, 169, 171	811-439C	161, 163, 165, 167, 169, 171	816-113C	53	817-516C	37
810-303C	165, 167, 175	811-442C	177	816-138C	87	817-806C	53
810-310C	155	811-470C	147, 149	816-170C	187	818-003C	181
810-343C	149, 165, 167	811-490C	147	816-173C	129	818-019C	181
810-344C	165, 167	811-531C	165, 167	816-239C	69, 71, 73, 75, 77, 79, 127	818-045C	181
810-371C	169, 171	811-574C	147, 149	816-241C	23, 37, 45	818-055C	61, 63
810-408C	173	811-579C	185, 197	816-242C	97	818-078C	181
810-410C	161, 165, 169	811-582C	165, 167	816-278C	31	818-257C	181
810-416C	13, 177	811-585C	145, 161, 163, 165, 167, 169, 171, 171, 185, 197	816-291C	31, 49	818-258C	181
810-421C	21, 147, 149	811-627C	149	816-292C	33	818-337C	181
810-422C	185	811-631C	161, 163, 165, 167, 169, 171	816-302C	127	818-339C	181
810-423C	185, 187, 197	811-632C	161, 165, 169	816-358C	133	818-349C	181
810-430C	193	811-636C	165, 167	816-747C	89	818-369C	181
810-432C	161, 163, 165, 167, 169, 171, 173	811-675C	165, 167	816-748C	89	818-370C	181
810-554C	163, 167, 171	811-677C	161, 163, 169, 171	817-004C	69, 71, 73, 75, 77, 79	818-371C	181
811 057C	149	811-724C	177	817-009C	53	818-398C	181
811-021C	145, 185, 197	811-774C	161, 163, 165, 167, 169, 171	817-010C	53	818-400C	181
811-044C	197	811-775C	161, 163, 165, 167, 169, 171	817-022C	143	818-401C	181
811-057C	147, 177	811-776C	185, 197	817-023C	143	818-402C	181
811-061C	149	811-777C	185, 197	817-025C	93, 95, 105, 107, 113, 115, 117, 119, 121, 123, 125	818-557C	181
811-063C	145	811-796C	161, 163, 165, 169, 171	817-026C	53	818-579C	187
811-064C	161, 163, 165, 167, 169, 171	811-826C	179	817-042C	37	818-580C	187
811-065C	149, 161, 163, 165, 167, 169, 171	811-827C	179	817-053C	33	818-660C	181
811-118C	161, 163, 165, 167, 169, 171	811-913C	179	817-062C	141	818-664C	181
811-133C	161, 163, 165, 167, 169, 171, 177	811-914C	179	817-063C	141	818-708C	181
811-146C	161, 165, 169	811-915C	179	817-068C	69, 71, 73, 75, 77, 79	818-710C	181
811-151C	197	811-916C	179	817-069C	69, 71, 73, 75, 77, 79	818-855C	181
811-169C	149, 177, 185	811-917C	179	817-070C	69, 71, 73, 75, 77, 79	819-001C	81
811-170C	149	811-918C	179	817-071C	69, 71, 73, 75, 77, 79	819-041C	53
811-171C	147, 149, 161, 163, 165, 167, 169, 171, 177, 185, 197	811-919C	179	817-073C	69, 71, 73, 75, 77, 79	819-109C	81
811-173C	177	812-245C	127	817-074C	69, 71, 73, 75, 77, 79	820-094C	191
811-181C	145, 147, 149	814-008C	87	817-075C	69, 71, 73, 75, 77, 79	820-155C	127
811-193C	165, 167	814-010C	143	817-084C	127, 135, 137, 139, 141, 143	822-008C	81
811-203C	151	814-034C	135	817-086C	51	822-030C	191
811-212C	161, 163, 165, 167, 169, 171	814-067C	141	817-087C	81	822-032C	93, 95, 97, 105, 107, 113, 117, 119, 121, 123
811-216C	163, 167, 171	814-088C	89	817-111C	103, 109	822-036C	15
811-249C	177	814-104C	16	817-134C	129	822-037C	15
811-272C	145	814-157C	137	817-191C	129	822-038C	15
811-281C	185, 197	814-158C	139	817-202C	51	822-039C	15
811-286C	161, 163, 165, 167, 169, 171	814-159C	137	817-255C	183	822-080C	191
811-312C	161, 163, 165, 167, 169, 171, 177	814-160C	139	817-273C	97	822-083C	33
811-315C	197	814-174C	135	817-296C	137	822-095C	141, 143
811-356C	161, 163	814-177C	16	817-297C	139	822-103C	69, 71, 73, 75, 77, 79
811-362C	149	814-178C	87, 89	817-314C	127	822-117C	87
811-364C	161, 163, 165, 167, 169, 171	814-206C	16	817-321C	27	822-118C	87, 89
811-393C	169, 171	814-207C	87, 89	817-322C	27	822-119C	93, 95, 97, 105, 107, 113, 115, 117, 119, 121, 123
811-394C	145	814-208C	16	817-323C	33	822-126C	125
811-397C	161, 163, 165, 167, 169, 171	814-209C	87, 89	817-324C	27	822-170C	135, 137, 139
		814-210C	16, 87, 89	817-328C	135, 137, 139, 141, 143	822-276C	89
		814-549C	16	817-330C	135	823-059C	83
		814-553C	16	817-346C	131	823-060C	83
		814-554C	87, 89	817-347C	135, 137, 139, 141, 143	823-076C	83
		815-001C	191	817-350C	51	823-175C	173
		815-099C	15			823-184C	95
		815-101C	15			823-185C	173
		815-103C	15			823-190C	173
		816-007C	131			833-595C	85
		816-012C	87			833-596C	85
		816-014C	191			833-683C	57
		816-019C	15			833-686C	57
						833-694C	57
						833-696C	57



Part Number Index (continued)

Part Number	Page	Part Number	Page	Part Number	Page
833-697C	57	dwg16578	49	dwg27420	125
838-092C	181	dwg16579	31	dwg27425	55
838-102C	181	dwg16676	81	dwg27429	53
838-160C	181	dwg17027	151	dwg27446	115
838-161C	181	dwg17242	73	dwg27474	119
838-169C	181	dwg17243	75	dwg31229	63
838-206C	181	dwg17244	77	dwg31842	179
838-229C	181	dwg17245	79	dwg34220	85
838-237C	51, 181	dwg17246	69	dwg38296	57
838-259C	181	dwg17247	71	dwg38303	89
838-265C	181	dwg17437	135	P502001	15
838-266C	181	dwg17438	139	PRPIL-10-K-25	175
838-267C	181	dwg17439	137	VA-080002	83
838-426C	181	dwg18787	127	VA-111005-1	95
838-482C	37, 181	dwg18788	9	VA-253307	83
841-077C	163, 167, 171	dwg18789	11	VA-267000	95
841-212C	177	dwg18790	13	VA-267304	95
841-540C	179	dwg18791	15	VA-JX-B76	83
841-541C	179	dwg18792	21	VA-JX-B77	83
841-542C	179	dwg18793	129	VA-VMM253501	83
841-543C	179	dwg18794	187		
85002333	151	dwg18796	19		
85002946	165, 167	dwg18797	177		
85020040	175	dwg18798	161		
851-240C	23	dwg18800	169		
851-242C	23	dwg18801	165		
851-244C	23	dwg18802	157, 159		
851-246C	23	dwg18803	23		
851-310C	163, 167, 171	dwg18804	175		
851-880C	161, 163, 165, 167, 169, 171	dwg18805	45		
890-005C	188	dwg18806	37		
890-026C	33	dwg18807	51		
890-143C	187	dwg18808	41		
890-184C	9	dwg18809	87		
890-190C	69, 71, 73, 75, 77, 79	dwg18810	61		
890-193C	21	dwg18811	59		
890-221C	41	dwg18812	117		
890-305C	51	dwg18813	93		
890-308C	43	dwg18814	113		
890-311C	23	dwg18815	25		
890-312C	23	dwg18816	47		
890-321C	83	dwg18817	39		
890-349C	53	dwg18818	99		
890-350C	69, 71, 73, 75, 77, 79	dwg18819	91		
890-390C	23	dwg18820	97		
890-431C	23	dwg18821	181		
890-466C	127	dwg18822	111		
890-610C	9	dwg18823	197		
890-614C	191	dwg18825	185		
890-711C	93	dwg18964	193		
890-954C	115, 119	dwg19312	43		
891-061C	95	dwg19314	27		
891-062C	95	dwg19316	35		
891-137C	87	dwg21262	95		
990-109R	21	dwg21522	29		
BO-47	191	dwg21523	105		
CP2-10	175	dwg21524	107		
dwg 15481	191	dwg21526	101		
dwg 27430	33	dwg22968	163		
dwg-27002	133	dwg22969	171		
dwg10035	153	dwg22970	167		
dwg10249	109	dwg22972	173		
dwg12024	195	dwg24414	65		
dwg14927	183	dwg24435	141		
dwg15473	147	dwg24436	143		
dwg15705	155	dwg25012	149		
dwg16459	131	dwg26014	67		
dwg16465	103	dwg27009	83		
		dwg27020	145		
		dwg27411	121		
		dwg27417	123		

This Page Intentionally Left Blank



Great Plains Mfg., Inc.
1525 E. North Street
Salina, Kansas 67401 USA

www.greatplainsmfg.com
