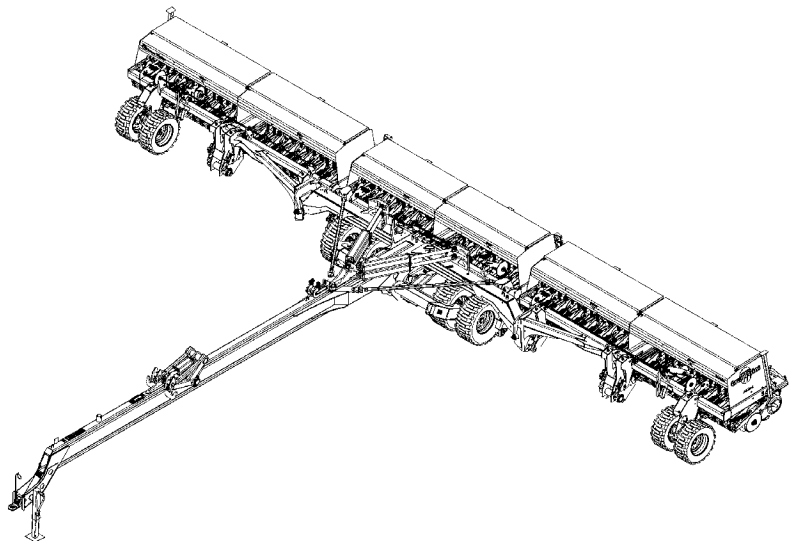

Parts Manual

3S-5000, 3S-5000F, 3S-5000HD & 3S-5000HDF
Heavy Duty 50' 3-Section Folding Drill



Read the Operator's manual entirely. When you see this symbol, the subsequent instructions and warnings are serious - follow without exception. Your life and the lives of others depend on it!



34310

Cover illustration may show optional equipment not supplied with standard unit.



Table of Contents

Section 1: Introduction.....	6	6" Center Section Feeder Cup Tray Assy. Right Hand (195-403K).....	82
Using This Manual.....	6	6" Left Wing Feeder Cup Tray Assy. Left Hand (195-374K).....	84
Manual Replacement Information.....	6	6" Left Wing Feeder Cup Tray Assy. Right Hand (195-404K).....	86
Manual Revisions.....	6	6" Right Wing Feeder Cup Tray Assy. Left Hand (195-402K).....	88
Touch-up Paint.....	6	6" Right Wing Feeder Cup Tray Assy. Right Hand (195-086K).....	90
Hardware Legend.....	7	7.5" Center Section Feeder Cup Tray Assy. Left Hand (195-087K).....	92
Replacement Hardware.....	7	7.5" Center Section Feeder Cup Tray Assy. Right Hand (195-406K).....	94
Serial Numbers.....	7	7.5" Left Wing Feeder Cup Tray Assy. Left Hand (195-089K).....	96
Part Number Service Coding.....	7	7.5" Left Wing Feeder Cup Tray Assy. Right Hand (195-407K).....	98
Tongue.....	8	7.5" Right Wing Feeder Cup Tray Assy. Left Hand (195-405K).....	100
Hitch to Tongue (S/N C1287L-).....	8	7.5" Right Wing Feeder Cup Tray Assy. Right Hand (195-092K).....	102
Hitch to Tongue (S/N C1288L - C1295L).....	10	10" Center Section Feeder Cup Tray Assy. Left Hand (195-093K).....	104
Hitch To Tongue (S/N C1296L+).....	14	10" Center Section Feeder Cup Tray Assy. Right Hand (195-409K).....	106
Transport Hook to Tongue.....	18	10" Left Wing Feeder Cup Tray Assy. Left Hand (195-095K).....	108
Transport Axle.....	20	10" Left Wing Feeder Cup Tray Assy. Right Hand (195-410K).....	110
Transport Axle to Tongue.....	20	10" Right Wing Feeder Cup Tray Assy. Left Hand (195-408K).....	112
Transport Tires and Hub.....	22	10" Right Wing Feeder Cup Tray Assy. Right Hand (195-098K).....	114
Toolbars.....	24	Feeder cup Adjustment Tray (195-254S).....	116
Toolbar Pivot to Box Frame.....	24	Loup Shaft Monitor (2 Channel 116-282A) (3 Channel 116-283A).....	118
Toolbar to Tongue.....	26	Vansco Shaft Monitor (Option).....	120
Box and Frame Assembly.....	28	Fertilizer Feeder Cup Trays.....	122
Center Box and Center Frame to Tongue.....	28	6" Center Section Feeder Cup Tray Assy. Right Hand (195-083K) Fert. Only.....	122
Center Section Small Seeds Box Components.....	32	6" Left Wing Feeder Cup Tray Assy. Right Hand (195-084K) Fert. Only.....	124
Center Sub-Frame.....	34	6" Right Wing Feeder Cup Tray Assy. Left Hand (195-085K) Fert. Only.....	126
Center Box Support Kit.....	36	7.5" Center Section Feeder Cup Tray Assy. Right Hand (195-088K) Fert. Only.....	128
Fertilizer Box Dividers.....	38	7.5" Left Wing Feeder Cup Tray Assy. Right Hand (195-090K) Fert. Only.....	130
Fertilizer Box to Frame.....	42		
Fertilizer Flap.....	44		
Fertilizer Spill Flap.....	46		
Fertilizer Tray.....	48		
Fertilizer Tray To Box.....	50		
Left Hand Box and Frame.....	52		
Left Hand Sub-Frame.....	54		
Left Wing Small Seeds Box Components.....	56		
Lid to Box.....	58		
Right Hand Box and Frame.....	60		
Right Hand Sub-Frame.....	62		
Right Wing Small Seeds Box Components.....	64		
Seed Level Indicator.....	66		
Small Seeds Box Mounting.....	68		
Truss Tubes.....	70		
Walkboards and Steps.....	72		
LED Lights (S/N C1142L - C1304L).....	74		
LED Lights (S/N C1305L+).....	76		
Weight Bracket.....	78		
Feeder Cup Trays.....	80		
6" Center Section Feeder Cup Tray Assy. Left Hand (195-082K).....	80		

© Copyright 2017 All rights reserved Printed 06/15/17

Great Plains Manufacturing, Inc. provides this publication "as is" without warranty of any kind, either expressed or implied. While every precaution has been taken in the preparation of this manual, Great Plains Manufacturing, Inc. assumes no responsibility for errors or omissions. Neither is any liability assumed for damages resulting from the use of the information contained herein. Great Plains Manufacturing, Inc. reserves the right to revise and improve its products as it sees fit. This publication describes the state of this product at the time of its publication, and may not reflect the product in the future.

Great Plains Manufacturing, Incorporated Trademarks

The following are trademarks of Great Plains Mfg., Inc.: Application Systems, Ausherman, Land Pride, Great Plains

All other brands and product names are trademarks or registered trademarks of their respective holders.

Printed in the United States of America.



Table of Contents (continued)

7.5" Right Wing Feeder Cup Tray Assy. Left Hand (195-091K) Fert. Only.....	132	Fold Hydraulics With Hydraulic Jack (S/N C1288L - C1295L).....	220
10" Center Section Feeder Cup Tray Assy. Right Hand (195-094K) Fert. Only.....	134	Fold Hydraulics With Hydraulic Jack (S/N C1296L+)..	222
10" Left Wing Feeder Cup Tray Assy. Right Hand (195-096K) Fert. Only.....	136	Fold Hydraulics Without Hydraulic Jack.....	224
10" Right Wing Feeder Cup Tray Assy. Left Hand (195-097K) Fert. Only.....	138	Hydraulic Hose Grips.....	226
Feeder Cup Trays.....	140	Hydraulic Valve Mounting.....	228
Loup Shaft Monitor (2 Channel 116-282A) (3 Channel 116-283A).....	140	Left Wing Hydraulics.....	230
Vansco Shaft Monitor (Option).....	142	Opener Down Pressure Hydraulics.....	232
Fertilizer Feeder Cup Trays.....	144	Point Row Hydraulics.....	234
Seed Rate Adjustment Handle (118-442S) Fert. Only.	144	Point Row Control Box With Cables.....	236
Gauge Wheels.....	146	Pressure Reducing Valve (810-301C).....	238
Gauge Wheels.....	146	Right Wing Hydraulics.....	240
Drives.....	148	Transport Axle Hydraulics and Transport Hook Hydraulics.....	242
Center Drive.....	148	Manifold Block (810-371C) (Option).....	244
Center Drive Breakaway.....	150	Hydraulic Cylinder (810-423C).....	246
Clutch Breakdown (195-187K).....	152	Hydraulic Cylinder (810-903C).....	248
Clutch Breakdown (195-272K).....	154	Midway Hydraulic Cylinder (810-299C).....	250
Clutch Linkage.....	156	Midway Hydraulic Cylinder (810-805C).....	252
Fertilizer Drive.....	158	Midway Hydraulic Cylinder (810-806C).....	254
Fertilizer Drive Subassembly.....	160	Midway Hydraulic Cylinder (810-807C).....	256
Jaw Clutch.....	162	Liquid Fertilizer.....	258
Left Hand Drive.....	164	Liquid Fertilizer Lower Ground Drive.....	258
Right Hand Drive.....	166	Liquid Fertilizer Plumbing.....	260
Small Seeds Drive.....	168	Liquid Fertilizer Tank.....	262
Small Seeds Drive Subassembly.....	170	Liquid Fertilizer Hose Routing.....	264
Small Seeds to Drive.....	172	Liquid Fertilizer Hydraulics.....	266
Openers.....	174	Wetboom 6" Spacing.....	268
00 6" Seed-Lok (Option).....	174	Wetboom 7.5" Spacing.....	270
00 HD Knock Down Kits.....	176	Wetboom 10" Spacing.....	272
00 Series Long Arm Opener.....	178	Ball Valve (829-116C).....	274
00 Series Short Arm Opener.....	180	Banjo Strainer (831-029C).....	276
HD 00 6" Seed-Lok.....	182	John-Blue Pump (831-068C).....	278
HD 00 Keeton Seed Firmer (890-810C).....	184		
HD 00 Series Long Arm Opener.....	186		
HD 00 Series Short Arm Opener.....	188		
HD 00 Scraper.....	190		
Small Seeds Hose.....	192		
Press Wheels.....	194		
1"X12" Double "V" Press Wheel.....	194		
1.25"X13.5" Double Press Wheel.....	196		
2"X13" Single Press Wheel.....	198		
3"X13" Single Press Wheel.....	200		
3"X14" Peaked Single Press Wheel.....	202		
4"X14" Double Ribbed Single Press Wheel.....	204		
Markers.....	206		
Double Selector Valve (810-274C).....	206		
Dual Marker Hydraulics.....	208		
Marker Assembly.....	210		
Marker Disc Assembly (113-025S).....	214		
Sequence Valve (810-422C).....	216		
Hydraulics.....	218		
Center Section Hydraulics.....	218		
		Part Number Index.....	280



Alphabetized Table of Contents

Selected Models

0	
00 6" Seed-Lok (Option).....	174
00 HD Knock Down Kits.....	176
00 Series Long Arm Opener.....	178
00 Series Short Arm Opener.....	180
1	
1"X12" Double "V" Press Wheel.....	194
1.25"X13.5" Double Press Wheel.....	196
10" Center Section Feeder Cup Tray Assy. Left Hand (195-093K).....	104
10" Center Section Feeder Cup Tray Assy. Right Hand (195-094K) Fert. Only.....	134
10" Center Section Feeder Cup Tray Assy. Right Hand (195-409K).....	106
10" Left Wing Feeder Cup Tray Assy. Left Hand (195-095K).....	108
10" Left Wing Feeder Cup Tray Assy. Right Hand (195-096K) Fert. Only.....	136
10" Left Wing Feeder Cup Tray Assy. Right Hand (195-410K).....	110
10" Right Wing Feeder Cup Tray Assy. Left Hand (195-097K) Fert. Only.....	138
10" Right Wing Feeder Cup Tray Assy. Left Hand (195-408K).....	112
10" Right Wing Feeder Cup Tray Assy. Right Hand (195-098K).....	114
2	
2"X13" Single Press Wheel.....	198
3	
3"X13" Single Press Wheel.....	200
3"X14" Peaked Single Press Wheel.....	202
4	
4"X14" Double Ribbed Single Press Wheel.....	204
6	
6" Center Section Feeder Cup Tray Assy. Left Hand (195-082K).....	80
6" Center Section Feeder Cup Tray Assy. Right Hand (195-083K) Fert. Only.....	122
6" Center Section Feeder Cup Tray Assy. Right Hand (195-403K).....	82
6" Left Wing Feeder Cup Tray Assy. Left Hand (195-374K).....	84
6" Left Wing Feeder Cup Tray Assy. Right Hand (195-084K) Fert. Only.....	124
6" Left Wing Feeder Cup Tray Assy. Right Hand (195-404K).....	86
6" Right Wing Feeder Cup Tray Assy. Left Hand (195-085K) Fert. Only.....	126
6" Right Wing Feeder Cup Tray Assy. Left Hand (195-402K).....	88

6" Right Wing Feeder Cup Tray Assy. Right Hand (195-086K).....	90
7	
7.5" Center Section Feeder Cup Tray Assy. Left Hand (195-087K).....	92
7.5" Center Section Feeder Cup Tray Assy. Right Hand (195-088K) Fert. Only.....	128
7.5" Center Section Feeder Cup Tray Assy. Right Hand (195-406K).....	94
7.5" Left Wing Feeder Cup Tray Assy. Left Hand (195-089K).....	96
7.5" Left Wing Feeder Cup Tray Assy. Right Hand (195-090K) Fert. Only.....	130
7.5" Left Wing Feeder Cup Tray Assy. Right Hand (195-407K).....	98
7.5" Right Wing Feeder Cup Tray Assy. Left Hand (195-091K) Fert. Only.....	132
7.5" Right Wing Feeder Cup Tray Assy. Left Hand (195-405K).....	100
7.5" Right Wing Feeder Cup Tray Assy. Right Hand (195-092K).....	102

B

Ball Valve (829-116C).....	274
Banjo Strainer (831-029C).....	276

C

Center Box and Center Frame to Tongue.....	28
Center Box Support Kit.....	36
Center Drive.....	148
Center Drive Breakaway.....	150
Center Section Hydraulics.....	218
Center Section Small Seeds Box Components.....	32
Center Sub-Frame.....	34
Clutch Breakdown (195-187K).....	152
Clutch Breakdown (195-272K).....	154
Clutch Linkage.....	156

D

Double Selector Valve (810-274C).....	206
Dual Marker Hydraulics.....	208

F

Feeder cup Adjustment Tray (195-254S).....	116
Fertilizer Box Dividers.....	38
Fertilizer Box to Frame.....	42
Fertilizer Drive.....	158
Fertilizer Drive Subassembly.....	160
Fertilizer Flap.....	44
Fertilizer Spill Flap.....	46
Fertilizer Tray.....	48
Fertilizer Tray To Box.....	50
Fold Hydraulics With Hydraulic Jack (S/N C1288L - C1295L).....	220
Fold Hydraulics With Hydraulic Jack (S/N C1296L+).....	222
Fold Hydraulics Without Hydraulic Jack.....	224



Alphabetized Table of Contents (continued)

G

Gauge Wheels.....146

H

HD 00 6" Seed-Lok.....182
 HD 00 Keeton Seed Firmer (890-810C).....184
 HD 00 Scraper.....190
 HD 00 Series Long Arm Opener.....186
 HD 00 Series Short Arm Opener.....188
 Hitch to Tongue (S/N C1287L-).....8
 Hitch to Tongue (S/N C1288L - C1295L).....10
 Hitch To Tongue (S/N C1296L+).....14
 Hydraulic Cylinder (810-423C).....246
 Hydraulic Cylinder (810-903C).....248
 Hydraulic Hose Grips.....226
 Hydraulic Valve Mounting.....228

J

Jaw Clutch.....162
 John-Blue Pump (831-068C).....278

L

LED Lights (S/N C1142L - C1304L).....74
 LED Lights (S/N C1305L+).....76
 Left Hand Box and Frame.....52
 Left Hand Drive.....164
 Left Hand Sub-Frame.....54
 Left Wing Hydraulics.....230
 Left Wing Small Seeds Box Components.....56
 Lid to Box.....58
 Liquid Fertilizer Hose Routing.....264
 Liquid Fertilizer Hydraulics.....266
 Liquid Fertilizer Lower Ground Drive.....258
 Liquid Fertilizer Plumbing.....260
 Liquid Fertilizer Tank.....262
 Loup Shaft Monitor (2 Channel 116-282A) (3 Channel
 116-283A).....118

M

Manifold Block (810-371C) (Option).....244
 Marker Assembly.....210
 Marker Disc Assembly (113-025S).....214
 Midway Hydraulic Cylinder (810-299C).....250
 Midway Hydraulic Cylinder (810-805C).....252
 Midway Hydraulic Cylinder (810-806C).....254
 Midway Hydraulic Cylinder (810-807C).....256

O

Opener Down Pressure Hydraulics.....232

P

Point Row Control Box With Cables.....236
 Point Row Hydraulics.....234
 Pressure Reducing Valve (810-301C).....238

R

Right Hand Box and Frame.....60

Right Hand Drive.....166
 Right Hand Sub-Frame.....62
 Right Wing Hydraulics.....240
 Right Wing Small Seeds Box Components.....64

S

Seed Level Indicator.....66
 Seed Rate Adjustment Handle (118-442S) Fert. Only.144
 Sequence Valve (810-422C).....216
 Small Seeds Box Mounting.....68
 Small Seeds Drive.....168
 Small Seeds Drive Subassembly.....170
 Small Seeds Hose.....192
 Small Seeds to Drive.....172

T

Toolbar Pivot to Box Frame.....24
 Toolbar to Tongue.....26
 Transport Axle Hydraulics and Transport Hook
 Hydraulics.....242
 Transport Axle to Tongue.....20
 Transport Hook to Tongue.....18
 Transport Tires and Hub.....22
 Truss Tubes.....70

V

Vansco Shaft Monitor (Option).....120

W

Walkboards and Steps.....72
 Weight Bracket.....78
 Wetboom 10" Spacing.....272
 Wetboom 6" Spacing.....268
 Wetboom 7.5" Spacing.....270



General Information

Using This Manual

This manual is divided into sections. The first section contains General Information, a Table of Contents, an Alphabetical Page Index, and a Part Number Index. The remaining sections divide the machine into segments (i.e. Frames, Drives, Hydraulics, etc.) which illustrate and list all parts.

The Great Plains parts in this manual are specially designed for this machine and should be replaced with Great Plains parts only.

The information in this manual is current at printing. Some parts may change to assure top performance.

Right-hand and left-hand as used in this manual are determined by facing the direction the machine will travel while in use.

Below is an example of two facing pages from a parts manual. Familiarize yourself with the contents of these pages.

Manual Replacement Information

Replacement manuals are available. Refer to your dealer or the Great Plains Publications Catalog for additional information.

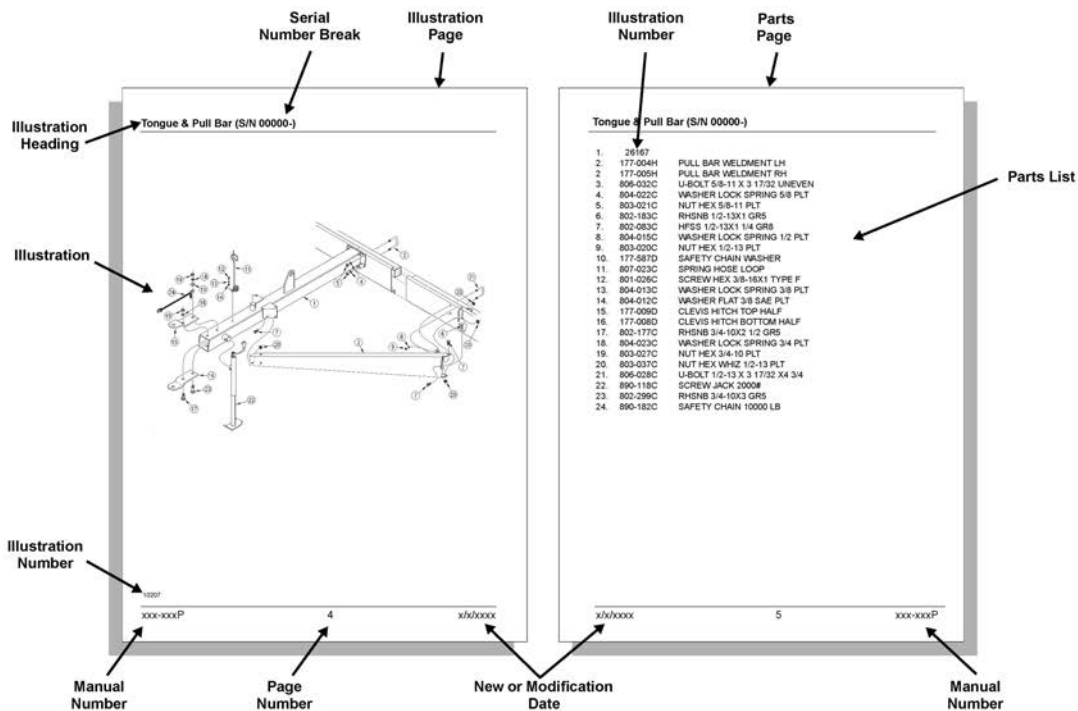
Manual Revisions

When this manual is revised, the modification date is printed on the front cover and on the revised page(s).

Touch-up Paint

Repaint parts where paint is worn or scratched to prevent rust. Aerosol touch-up paint is available. To order use Great Plains parts numbers below:

GP Green	821-001C
GP Black	821-002C
GP Beige	821-003C
GP Buckskin	821-004C



Hardware Legend

AR	As Required
BLADE	Blade Bolt
C	Cap Screw
CP	Cotter Pin
CPHSSS	Cup Point Hex Socket Set Screw
CPSHSS	Cup Point Square Head Set Screw
CPSQHSS	Cup Point Square Head Set Screw
CRFCHMS	Cross Recess Flat Countersunk Head Mach. Screw
CRPHMS	Cross Recess Pan Head Machine Screw
CRPHTFS	Cross Recess Pan Head Thread Forming
CRRHMS	Cross Recess Round Head Machine Screw
CRTHMS	Cross Recess Truss Head Machine Screw
CSNB	Countersunk Square Neck Bolt
FHMS	Flat Head Machine Screw
FTC	Full Thread Cap Screw
H	Hex Nut
HCLN	Hex Center Lock Nut
HFLCS	Hex Flange Lock Cap Screw
HFS	Hex Flange Screw
HFSLN	Hex Flange Serrated Lock Nut
HFSS	Hex Flange Serrated Screw
HHCS	Hex Head Cap Screw or Metric Bolt
HSBHCS	Hex Socket Button Head Cap Screw
HSFCHCS	Hex Socket Flat Countersunk Head Cap Screw
HSHCS	Hex Socket Head Cap Screw
HSSS	Hex Socket Head Screw
HTLN	Hex Top Lock Nut
HWHCS	Hex Washer Head Cap Screw

HWHMS	Hex Washer Head Machine Screw
HXBHCS	Hex Socket Button Head Cap Screw
J	Hex Jam Nut
JIC	37 Degree Tapered Thread
L	Helical Spring Lock Washer
LUG	Lug Bolt
NFC	National Fine Cap Screw
NPSM	National Pipe Straight Mechanical
NPTF	National Pipe Taper Fuel
P	Wide Plain Washer
PHMS	Pan Head Machine Screw
PLOW	Plow Bolt
RHMS	Round Head Machine Screw
RHSNB	Round Head Square Neck Bolt
SCREW LEVELING	Leveling Screw
SCREW THUMB	Thumb Screw
SCREW WELD	Weld Screw
SFCHMS	Slotted Flat Countersunk Head Machine Screw
SFHMS	Slotted Fillister Head Machine Screw
SP	Special
SP SCREW	Special Screw
SQHSS	Square Head Set Screw
SRHMS	Slotted Round Head Machine Screw
SSS	Socket Set Screw
STCS	Self Tapping Cap Screw
STHMS	Slotted Truss Head Machine Screw
WHEEL	Wheel Studs and Hub Long Bolts
WING	Wing Bolt

Replacement Hardware

The **Hardware Legend** above lists hardware abbreviations used in the parts lists. All bolts and nuts are grade 5 unless otherwise noted. The use of improper grades of hardware can result in personal injury, damage to equipment, or loss of property.

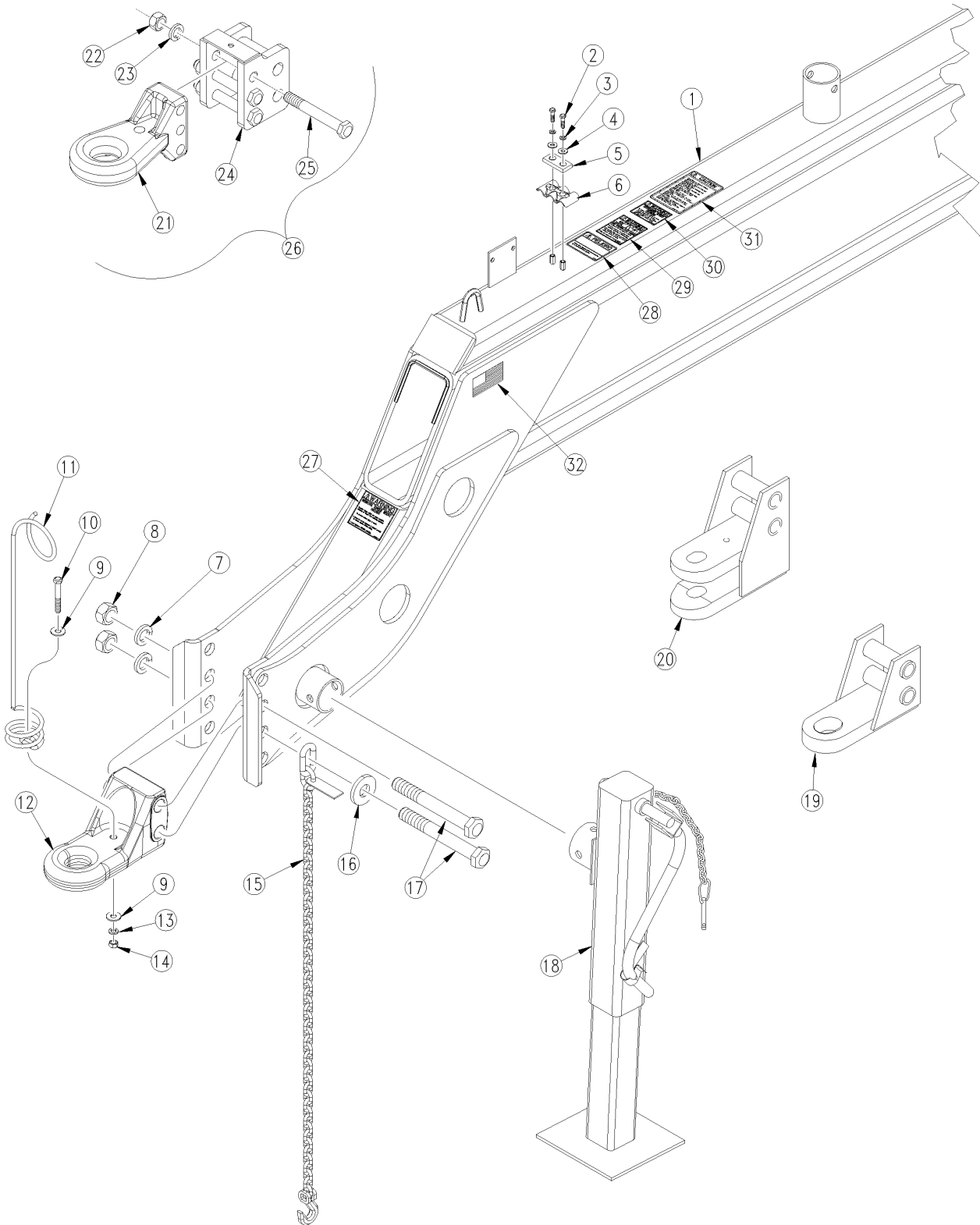
Serial Numbers

Always use the serial and model number when ordering parts. Refer to the operator's manual for serial number plate location.

- (S/N 20001+ or S/N 20001 and above) Includes serial numbers 20001 and above (to the latest number)
- (S/N 10001-20000) Includes serial numbers between 10000 and 20001
- (S/N 10000- or S/N 10000 and below) Includes serial numbers 10000 and below (to the earliest number)

Hitch to Tongue (S/N C1287L-)

(Applies to 3S-5000, 3S-5000F, 3S-5000HD, 3S-5000HDF only)



34227

Hitch to Tongue (S/N C1287L-)

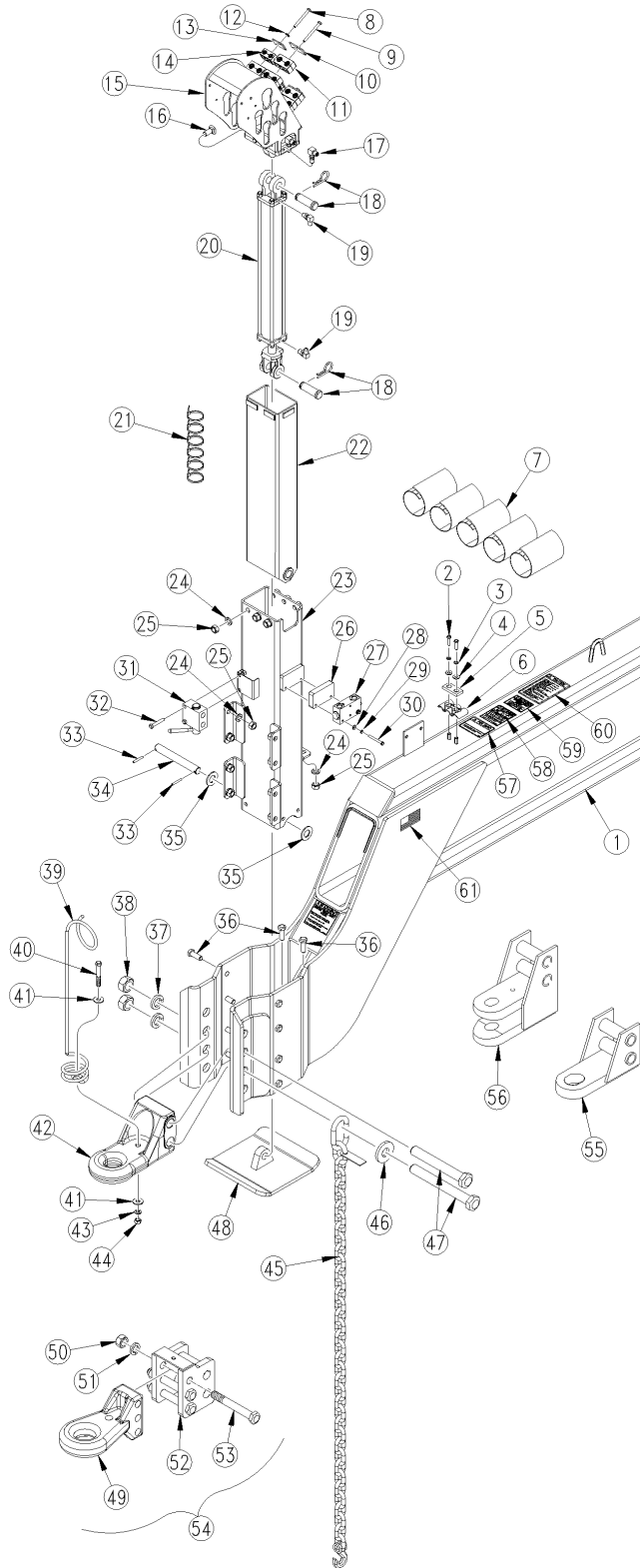
(Applies to 3S-5000, 3S-5000F, 3S-5000HD, 3S-5000HDF only)

Ref	Part No.	Part Description	Comments	Revision
	dwg34227	Image No.		
1.	194-052H	3S-5000 TONGUE-MAINFRAME WLDMT		
2.	802-010C	HHCS 5/16-18X1 1/4 GR5		
3.	804-009C	WASHER LOCK SPRING 5/16 PLT		
4.	804-010C	WASHER FLAT 5/16 USS PLT		
5.	196-885D	HOSE CLAMP HOLDDOWN		
6.	196-146D	3-HOSE CLAMP BRACKET		
7.	804-030C	WASHER LOCK 1 1/4 SPRING PLT		
8.	803-034C	NUT HEX 1 1/4-7 PLT		
9.	804-017C	WASHER FLAT 1/2 USS PLT		
10.	802-041C	HHCS 1/2-13X3 1/2 GR5		
11.	807-073C	SPRING HOSE LOOP HEAVY		
12.	170-201D	CASTING LARGE HITCH STRAP		
13.	804-015C	WASHER LOCK SPRING 1/2 PLT		
14.	803-020C	NUT HEX 1/2-13 PLT		
15.	890-184C	SAFETY CHAIN 30000 LB		
16.	194-070D	SAFETY CHAIN WASHER		
17.	802-543C	HHCS 1 1/4-7X10 GR5 SPTH		
18.	890-610C	SQ TB JACK 10000 LB 10 STROKE		
19.	170-033H	SINGLE HITCH STRAP-LARGE		
20.	196-136H	CLEVIS HITCH WELDMENT		
21.	891-210C	CAT 5 PERFECT HITCH		
22.	803-031C	NUT HEX 1-8 PLT		
23.	804-027C	WASHER LOCK SPRING 1 PLT		
24.	170-071H	CAT 4 TO CAT 5 HITCH ADAPTER		
25.	802-144C	HHCS 1-8X7 1/2 GR5		
26.	170-072A	CAT V HITCH ADAPTER KIT	Includes items: 21-25	
27.	818-019C	DECAL WARNING NEG TONGUE WT		
28.	818-557C	DECAL DANGER CANNOT READ ENG		
29.	818-339C	DECAL WARNING HIGH PRESSUR SML		
30.	818-337C	DECAL WARNING 20 MPH TRANS SML		
31.	818-078C	DECAL CAUTION FP-HC-MF-24&30		
32.	818-190C	DECAL FLAG		

[Table of Contents](#) [Part Number Index](#)

Hitch to Tongue (S/N C1288L - C1295L)

(Applies to 3S-5000, 3S-5000F, 3S-5000HD, 3S-5000HDF only)



38544

Hitch to Tongue (S/N C1288L - C1295L)

(Applies to 3S-5000, 3S-5000F, 3S-5000HD, 3S-5000HDF only)

Ref	Part No.	Part Description	Comments	Revision
	dwg38544	Image No.		
1.	194-088H	3S-5000 TONGUE-MAINFRAME WLDMT		
2.	802-010C	HHCS 5/16-18X1 1/4 GR5		
3.	804-009C	WASHER LOCK SPRING 5/16 PLT		
4.	804-010C	WASHER FLAT 5/16 USS PLT		
5.	196-885D	HOSE CLAMP HOLDDOWN		
6.	196-146D	3-HOSE CLAMP BRACKET		
7.	816-798C	HOSE WRAP 1.5-2.5 X 6 LG VELCR		
8.	802-131C	HHCS 5/16-18X3 GR5		
9.	802-390C	HHCS 5/16-18X3 1/4 GR5		
10.	851-245C	STAUFF COVER PLATE GROUP 3D		
11.	851-241C	STAUFF CLAMP BODY 3D 0.79HOLE		
12.	804-036C	WASHER FLAT 5/16 SAE PLT		
13.	851-244C	STAUFF COVER PLATE GROUP 2D		
14.	851-240C	STAUFF CLAMP BODY 2D 0.63 HOLE		
15.	160-478H	JACK CYL BASE WLMT		
16.	802-464C	RHSNB 5/8-11X1 1/2 GR5 PLT		
17.	811-423C	EL 9/16MJIC BLKHD		
18.	810-118C	CYL 2.5X20X1.12 ROD (TIE)1 PIN		
19.	811-065C	EL 9/16MJIC 9/16MORB		
20.	850-184C	CYL 2 1/2X20X1 1/8 ROD W/PINS		
21.	800-112C	CABLE TIE .19X7.25 1.75D 50LB		
22.	160-477H	LEG, JACK		
23.	160-479H	JACK OUTER HOUSING WLDMT		
24.	804-022C	WASHER LOCK SPRING 5/8 PLT		
25.	803-021C	NUT HEX 7/16-14 PLT		
26.	163-099D	VALVE SPACER BLOCK		
27.	850-142C	VALVE LOCK		
28.	804-007C	WASHER FLAT 1/4 SAE PLT		
29.	804-006C	WASHER LOCK SPRING 1/4 PLT		
30.	802-097C	HHCS 1/4-20X2 1/2 GR5		
31.	810-152C	SELECTOR VALVE 3-WAY 2 POS		
32.	802-382C	HHCS 3/8-16X2 1/4 GR5		
33.	805-041C	PIN ROLL 1/4X1 3/4		
34.	163-094D	PIN 1X7USABLE		
35.	804-029C	WASHER FLAT 1 SAE		
36.	802-053C	HHCS 5/8-11X1 3/4 GR5		
37.	804-030C	WASHER LOCK 1 1/4 SPRING PLT		
38.	803-034C	NUT HEX 1 1/4-7 PLT		
39.	807-073C	SPRING HOSE LOOP HEAVY		
40.	802-041C	HHCS 1/2-13X3 1/2 GR5		
41.	804-017C	WASHER FLAT 1/2 USS PLT		
42.	170-201D	CASTING LARGE HITCH STRAP		
43.	804-015C	WASHER LOCK SPRING 1/2 PLT		
44.	803-020C	NUT HEX 1/2-13 PLT		
45.	890-184C	SAFETY CHAIN 30000 LB		
46.	194-070D	SAFETY CHAIN WASHER		
47.	802-317C	HHCS 1 1/4-7X11 GR5 SPTHD		
48.	160-476H	FOOT, JACK WLDMT		
49.	891-210C	CAT 5 PERFECT HITCH		
50.	803-031C	NUT HEX 1-8 PLT		
51.	804-027C	WASHER LOCK SPRING 1 PLT		
52.	170-071H	CAT 4 TO CAT 5 HITCH ADAPTER		
53.	802-144C	HHCS 1-8X7 1/2 GR5		
54.	170-072A	CAT V HITCH ADAPTER KIT		
55.	170-033H	SINGLE HITCH STRAP-LARGE		
56.	196-136H	CLEVIS HITCH WELDMENT		
57.	818-557C	DECAL DANGER CANNOT READ ENG		

Hitch to Tongue (S/N C1288L - C1295L) (continued)

(Applies to 3S-5000, 3S-5000F, 3S-5000HD, 3S-5000HDF only)

Ref	Part No.	Part Description	Comments	Revision
58.	818-339C	DECAL WARNING HIGH PRESSUR SML		
59.	818-337C	DECAL WARNING 20 MPH TRANS SML		
60.	818-078C	DECAL CAUTION FP-HC-MF-24&30		
61.	818-190C	DECAL FLAG		

Hitch to Tongue (S/N C1288L - C1295L) (continued)

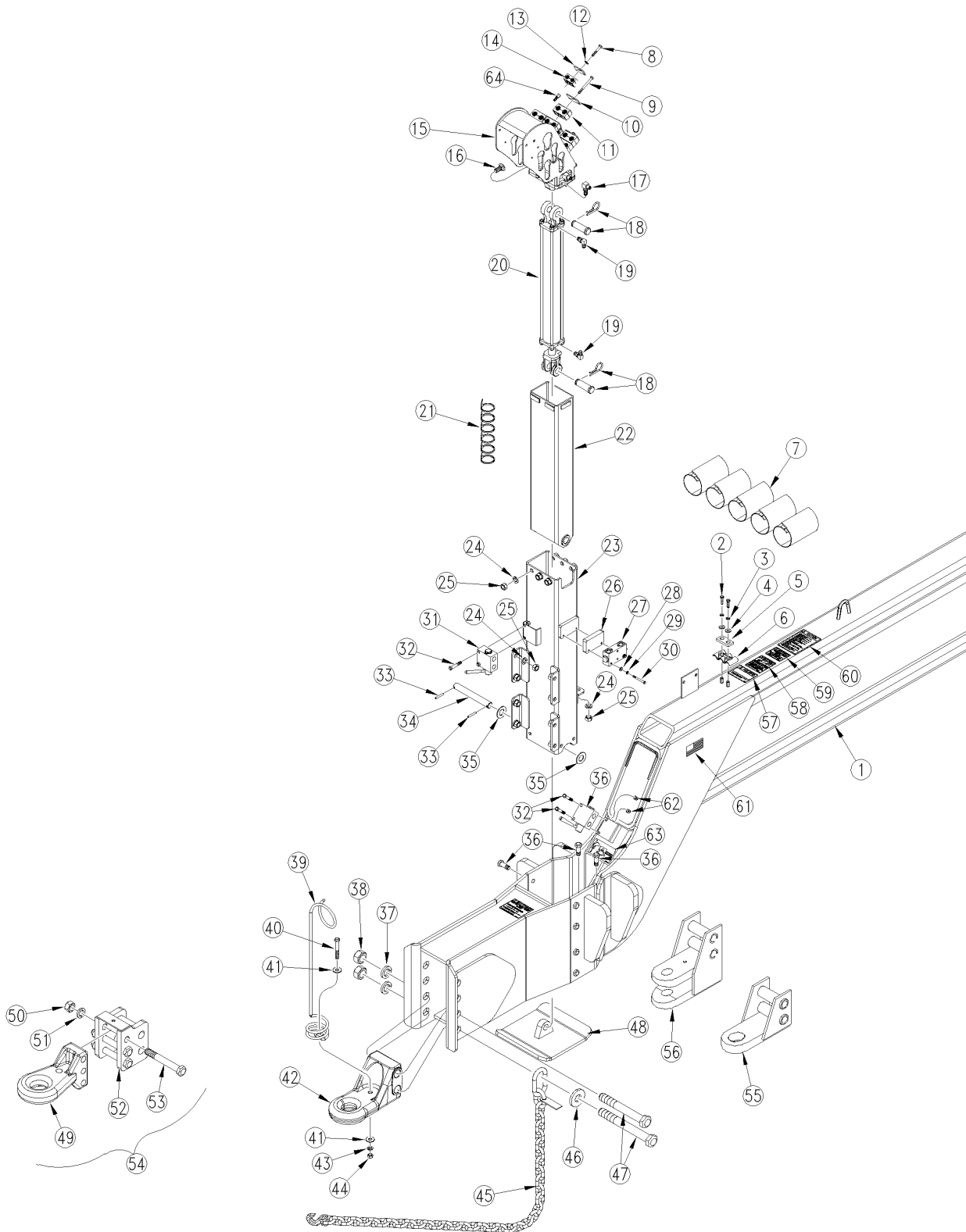
(Applies to 3S-5000, 3S-5000F, 3S-5000HD, 3S-5000HDF only)

This Page Intentionally Left Blank

Table of Contents Part Number Index

Hitch To Tongue (S/N C1296L+)

(Applies to 3S-5000, 3S-5000F, 3S-5000HD, 3S-5000HDF only)



38924

Hitch To Tongue (S/N C1296L+)

(Applies to 3S-5000, 3S-5000F, 3S-5000HD, 3S-5000HDF only)

Ref	Part No.	Part Description	Comments	Revision
	dwg38924	Image No.		
1.	194-091H	3S-5000 TONGUE-MAINFRAME WLDMT		
2.	802-010C	HHCS 5/16-18X1 1/4 GR5		
3.	804-009C	WASHER LOCK SPRING 5/16 PLT		
4.	804-010C	WASHER FLAT 5/16 USS PLT		
5.	196-885D	HOSE CLAMP HOLDDOWN		
6.	196-146D	3-HOSE CLAMP BRACKET		
7.	816-798C	HOSE WRAP 1.5-2.5 X 6 LG VELCR		
8.	802-012C	HHCS 5/16-18X1 1/2 GR5		
9.	802-390C	HHCS 5/16-18X3 1/4 GR5		
10.	851-245C	STAUFF COVER PLATE GROUP 3D		
11.	851-241C	STAUFF CLAMP BODY 3D 0.79HOLE		
12.	804-036C	WASHER FLAT 5/16 SAE PLT		
13.	851-244C	STAUFF COVER PLATE GROUP 2D		
14.	851-240C	STAUFF CLAMP BODY 2D 0.63 HOLE		
15.	160-478H	JACK CYL BASE WLMT		
16.	802-464C	RHSNB 5/8-11X1 1/2 GR5 PLT		
17.	811-423C	EL 9/16MJIC BLKHD		
18.	810-118C	CYL 2.5X20X1.12 ROD (TIE)1 PIN		
19.	811-065C	EL 9/16MJIC 9/16MORB		
20.	850-184C	CYL 2 1/2X20X1 1/8 ROD W/PINS		
21.	800-112C	CABLE TIE .19X7.25 1.75D 50LB		
22.	160-477H	LEG, JACK		
23.	160-479H	JACK OUTER HOUSING WLDMT		
24.	804-022C	WASHER LOCK SPRING 5/8 PLT		
25.	803-021C	NUT HEX 7/16-14 PLT		
26.	163-099D	VALVE SPACER BLOCK		
27.	850-142C	VALVE LOCK		
28.	804-007C	WASHER FLAT 1/4 SAE PLT		
29.	804-006C	WASHER LOCK SPRING 1/4 PLT		
30.	802-097C	HHCS 1/4-20X2 1/2 GR5		
31.	810-152C	SELECTOR VALVE 3-WAY 2 POS		
32.	802-382C	HHCS 3/8-16X2 1/4 GR5		
33.	805-041C	PIN ROLL 1/4X1 3/4		
34.	163-094D	PIN 1X7USABLE		
35.	804-029C	WASHER FLAT 1 SAE		
36.	802-053C	HHCS 5/8-11X1 3/4 GR5		
37.	804-030C	WASHER LOCK 1 1/4 SPRING PLT		
38.	803-034C	NUT HEX 1 1/4-7 PLT		
39.	807-073C	SPRING HOSE LOOP HEAVY		
40.	802-041C	HHCS 1/2-13X3 1/2 GR5		
41.	804-017C	WASHER FLAT 1/2 USS PLT		
42.	170-201D	CASTING LARGE HITCH STRAP		
43.	804-015C	WASHER LOCK SPRING 1/2 PLT		
44.	803-020C	NUT HEX 1/2-13 PLT		
45.	890-184C	SAFETY CHAIN 30000 LB		
46.	194-070D	SAFETY CHAIN WASHER		
47.	802-317C	HHCS 1 1/4-7X11 GR5 SPTHD		
48.	160-476H	FOOT, JACK WLDMT		
49.	891-210C	CAT 5 PERFECT HITCH		
50.	803-031C	NUT HEX 1-8 PLT		
51.	804-027C	WASHER LOCK SPRING 1 PLT		
52.	170-071H	CAT 4 TO CAT 5 HITCH ADAPTER		
53.	802-144C	HHCS 1-8X7 1/2 GR5		
54.	170-072A	CAT V HITCH ADAPTER KIT		
55.	170-033H	SINGLE HITCH STRAP-LARGE		
56.	196-136H	CLEVIS HITCH WELDMENT		
57.	818-557C	DECAL DANGER CANNOT READ ENG		

Hitch To Tongue (S/N C1296L+) (continued)

(Applies to 3S-5000, 3S-5000F, 3S-5000HD, 3S-5000HDF only)

Ref	Part No.	Part Description	Comments	Revision
58.	818-339C	DECAL WARNING HIGH PRESSUR SML		
59.	818-337C	DECAL WARNING 20 MPH TRANS SML		
60.	818-078C	DECAL CAUTION FP-HC-MF-24&30		
61.	818-190C	DECAL FLAG		
62.	803-078C	NUT LOCK 3/8-16 NYLON INSERT		
63.	858-706C	DECAL JACK DIVERTER VALVE		
64.	851-242C	STAUFF STACKING BOLT - 2D		

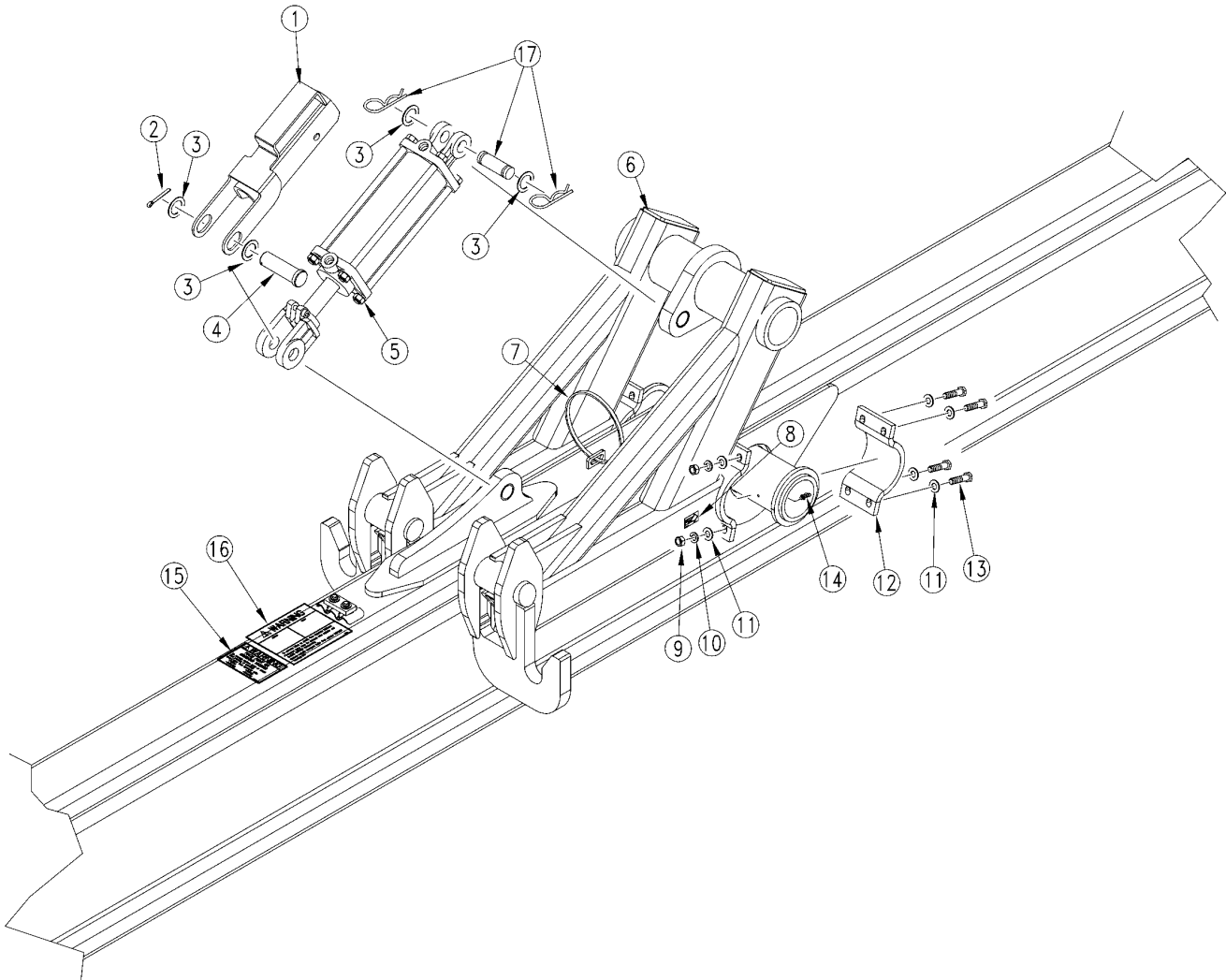
Hitch To Tongue (S/N C1296L+) (continued)

(Applies to 3S-5000, 3S-5000F, 3S-5000HD, 3S-5000HDF only)

This Page Intentionally Left Blank

Transport Hook to Tongue

(Applies to 3S-5000, 3S-5000F, 3S-5000HD, 3S-5000HDF only)



34228

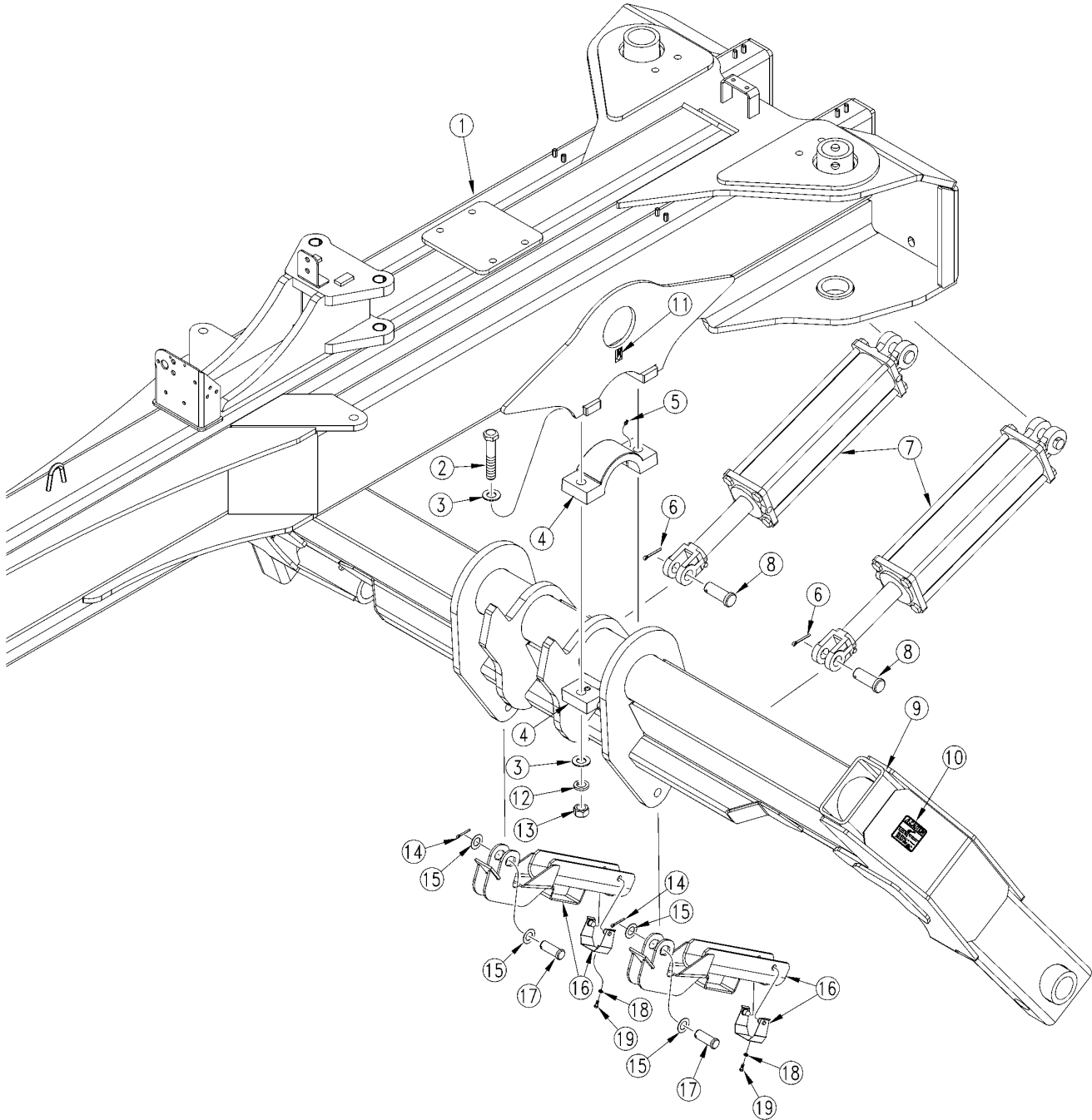
Transport Hook to Tongue

(Applies to 3S-5000, 3S-5000F, 3S-5000HD, 3S-5000HDF only)

Ref	Part No.	Part Description	Comments	Revision
	dwg34228	Image No.		
1.	194-065H	CYLINDER LOCK WELDMENT		
2.	805-021C	PIN COTTER 1/4 X 2 PLT		
3.	804-165C	WASHER MACH 1 7/8X1 1/4X 14GA		
4.	805-238C	PIN CLEVIS 1 1/4 X 4 PLT		
5.	810-806C	CYL 4.5X10X1.5 ROD (TIE ROD)	Refer to Hydraulic Cylinder (810-806C) for breakdown	
6.	194-035H	3S-5000 TRANSPORT CARRIER		
7.	800-082C	CABLE TIE .31X21.5 6DIA 120LB		
8.	818-401C	DECAL GREASE 50 HRS RH	RH (SHOWN)	
8.	818-400C	DECAL GREASE 50 HRS LH	LH	
9.	803-020C	NUT HEX 1/2-13 PLT		
10.	804-015C	WASHER LOCK SPRING 1/2 PLT		
11.	804-016C	WASHER FLAT 1/2 SAE PLT		
12.	185-014D	ROCKSHAFT HALF BAND CAP NOZERK		
13.	802-128C	HHCS 1/2-13X2 GR5		
14.	800-073C	GREASE ZERK 1/4-28 X 90-DEG		
15.	818-045C	DECAL WARNING PINCH PT/CRUSH		
16.	818-660C	DECAL TRANSPORT LOCK WARNING		
17.	805-486C	PIN CLEVIS 1.25 X 3.25 USBL		

Transport Axle to Tongue

(Applies to 3S-5000, 3S-5000F, 3S-5000HD, 3S-5000HDF only)



34229

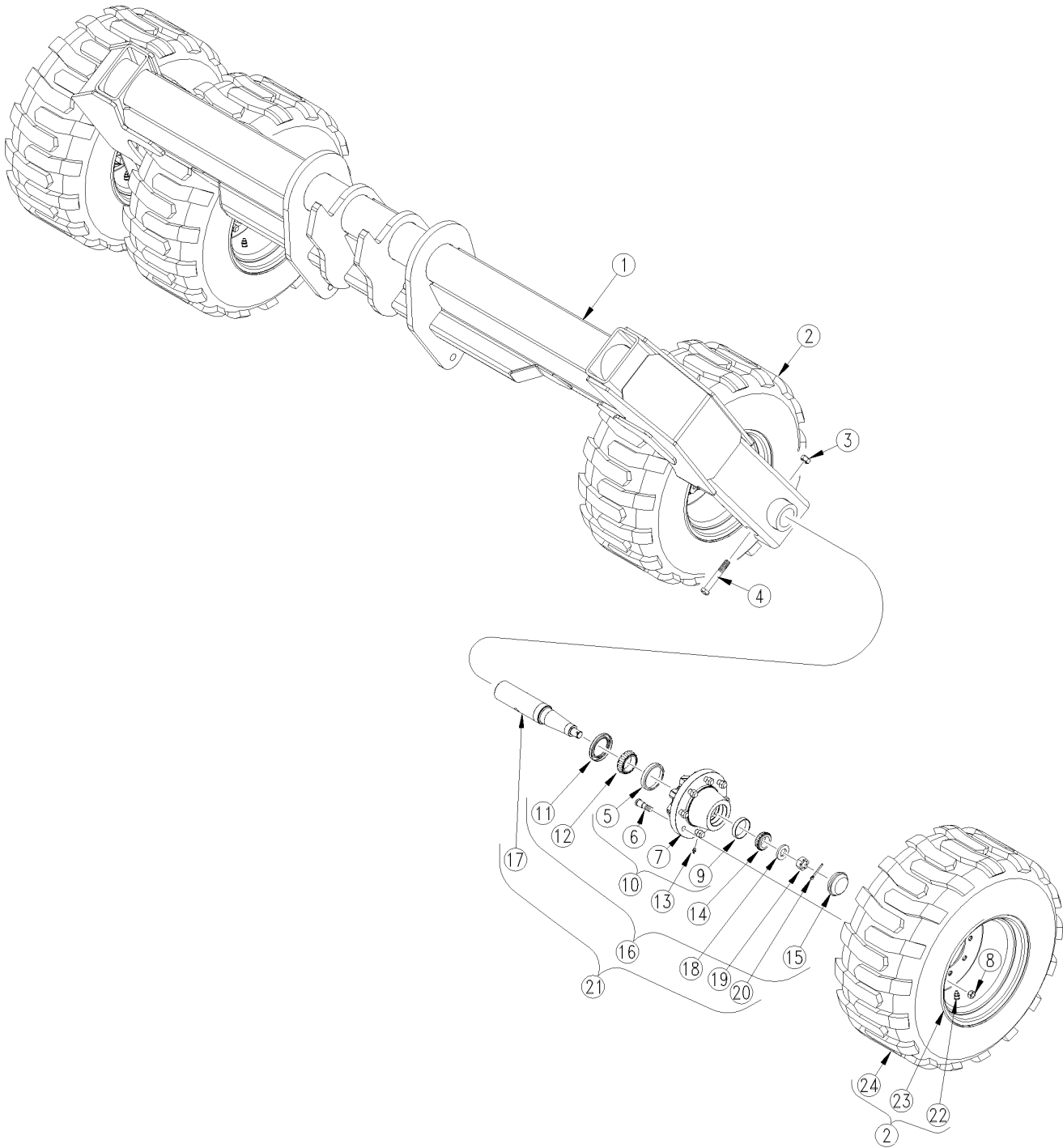
Transport Axle to Tongue

(Applies to 3S-5000, 3S-5000F, 3S-5000HD, 3S-5000HDF only)

Ref	Part No.	Part Description	Comments	Revision
	dwg34229	Image No.		
1.	194-052H	3S-5000 TONGUE-MAINFRAME WLDMT	(S/N C1287L-)	
1.	194-088H	3S-5000 TONGUE-MAINFRAME WLDMT	(S/N C1288L+)	
2.	802-205C	HHCS 1-8X5 1/2 GR5		
3.	804-029C	WASHER FLAT 1 SAE		
4.	180-178D	M.F. G.W. ROCKSHAFT BRG. LG		
5.	800-001C	GREASE ZERK STRAIGHT 1/4-28		
6.	805-021C	PIN COTTER 1/4 X 2 PLT		
7.	810-807C	CYL 4.75X16X2 ROD (TIE ROD)	Refer to Hydraulic Cylinder (810-807C) for breakdown	
8.	2A0217	MIDWAY CLEVIS PIN		
9.	194-056H	3S-5000 TRANSPORT AXLE	(S/N C1141L-)	
9.	194-075H	3S-5000 TRANSPORT AXLE GEN 2	(S/N C1142L+)	
10.	818-398C	DECAL CAUTION TIRES NOT A STEP		
11.	818-400C	DECAL GREASE 50 HRS LH	Shown LH	
11.	818-401C	DECAL GREASE 50 HRS RH	RH	
12.	804-027C	WASHER LOCK SPRING 1 PLT		
13.	803-031C	NUT HEX 1-8 PLT		
14.	805-104C	PIN COTTER 3/16 X 1 1/2 PLT		
15.	804-082C	WASHER MACH 1.75 X 1.00 X 18GA		
16.	194-059S	TRANS AXLE CYL-LK SUBASY 16 IN		
17.	805-187C	PIN CLEVIS 1 X 2 1/4 GR5 PLT		
18.	804-007C	WASHER FLAT 1/4 SAE PLT		
19.	802-283C	HHCS 1/4-20X1/2 GR2		

Transport Tires and Hub

(Applies to 3S-5000, 3S-5000F, 3S-5000HD, 3S-5000HDF only)



34230

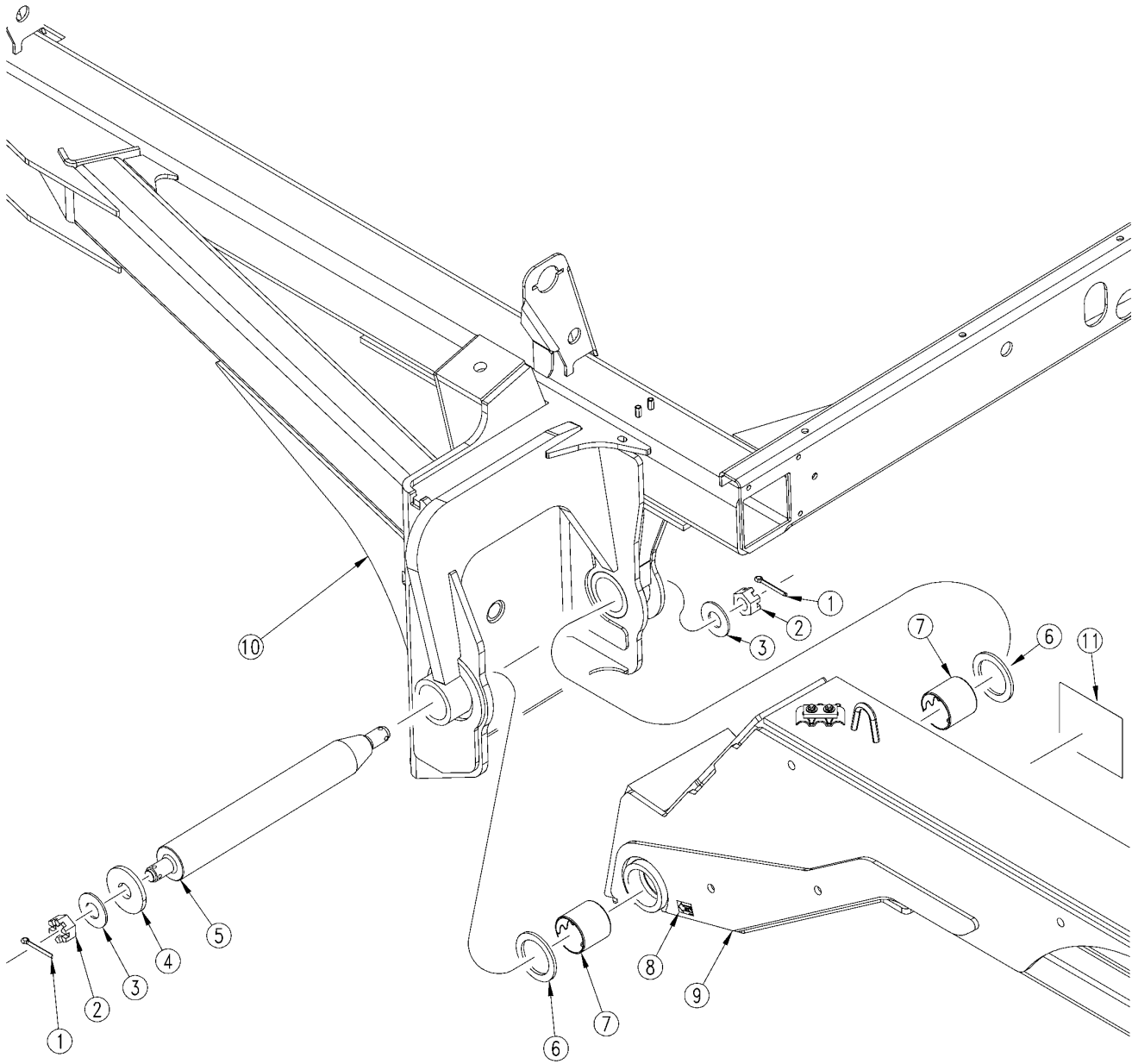
Transport Tires and Hub

(Applies to 3S-5000, 3S-5000F, 3S-5000HD, 3S-5000HDF only)

Ref	Part No.	Part Description	Comments	Revision
	dwg34230	Image No.		
1.	194-056H	3S-5000 TRANSPORT AXLE	(S/N C1141L-)	
1.	194-075H	3S-5000 TRANSPORT AXLE GEN 2	(S/N C1142L+)	
2.	814-432C	LH TIRE/WHEEL 14-17.5NHS 14PLY	(S/N C1141L-) Includes items 22-24	
2.	814-430C	RH TIRE/WHEEL 14-17.5NHS 14PLY	(S/N C1141L-) Includes items 22-24	
2.	814-486C	TIRE/WHEEL ASSY 440/55R18	(S/N C1142L - C1251L)Includes items 22-24	
2.	814-495C	TIRE/WHEEL ASY 440/55R18 BSKN	(S/N C1252L+)	
2.	814-488C	TIRE/WHEEL ASSY 340/60R16.5	(S/N C1142L - C1251L)Includes items 22-24	
2.	814-496C	TIRE/WHEEL ASY340/60R16.5 BKSN	(S/N C1252L+)	
3.	803-026C	NUT LOCK 3/4-10 PLT		
4.	802-069C	HHCS 3/4-10X5 GR5		
5.	P702252	GKN BRG CUP, 39412 TIMKEN		
6.	802-171C	HUB STUD 3/4-16X2 9/16 GR5		
7.	L758408-8-31	GKN HEAVY 8-BOLT HUB		
8.	P201630	NUT HEX FLANGE 3/4-16 GR5		
9.	822-053C	BRG CUP 2.89ODX.58WD #LM501310		
10.	815-440C	GKN HUB ASY; 8-BOLT, 10000 LBS	Includes items 5-7 & 9	
11.	816-763C	SEAL 3.00 X 4.125 X .5 KSLY		
12.	P752354	GKN BRG CONE 39250 TIMKEN ONLY		
13.	800-130C	GREASE ZERK STRAIGHT 1/8-27NPT		
14.	822-048C	BRG CONE 1.62IDX.78WD#LM501349		
15.	890-277C	GREASE CAP 3.125 X .28		
16.	815-438C	HUB ASM 8 BOLT 10,000 LBS GKN	Includes items 8 & 10-15	
17.	815-465C	SPINDLE 3.00 X 16.75		
18.	148-404D	1 HARDENED SPINDLE WASHER		
19.	803-095C	NUT HEX SLOTTED 1-14		
20.	805-060C	PIN COTTER 7/32 X 2		
21.	815-464C	8 BOLT HUB SPINDLE 10,000 LBS	Includes items 16-20	
22.	814-210C	VALVE STEM METAL TR-575 TUBLES		
23.	814-406C	RIM 17.5X10.5 8-8 BLT 6" PILOT	(S/N C1141L-)	
23.	814-489C	WHEEL 16.5X11 6-BOLT, 2 OFFSET	(S/N C1142L - C1251L)	
23.	814-498C	WHEEL 16.5X11 6BOLT 2OFFSET BKS	(S/N C1252L+)	
23.	814-487C	WHEEL 18X14 8-BOLT, 0 OFFSET	(S/N C1142L - C1251L)	
23.	814-497C	WHEEL 18X14 8-BOLT 0 OFFSET BKS	(S/N C1252L+)	
24.	814-431C	TIRE SKID ST 14-17.5NHS 14 PLY	(S/N C1141L-)	
24.	814-469C	TIRE TITAN 340/60R16.5		
24.	814-415C	TIRE - TITAN 440/55R18		

Toolbar Pivot to Box Frame

(Applies to 3S-5000, 3S-5000F, 3S-5000HD, 3S-5000HDF only)



34240

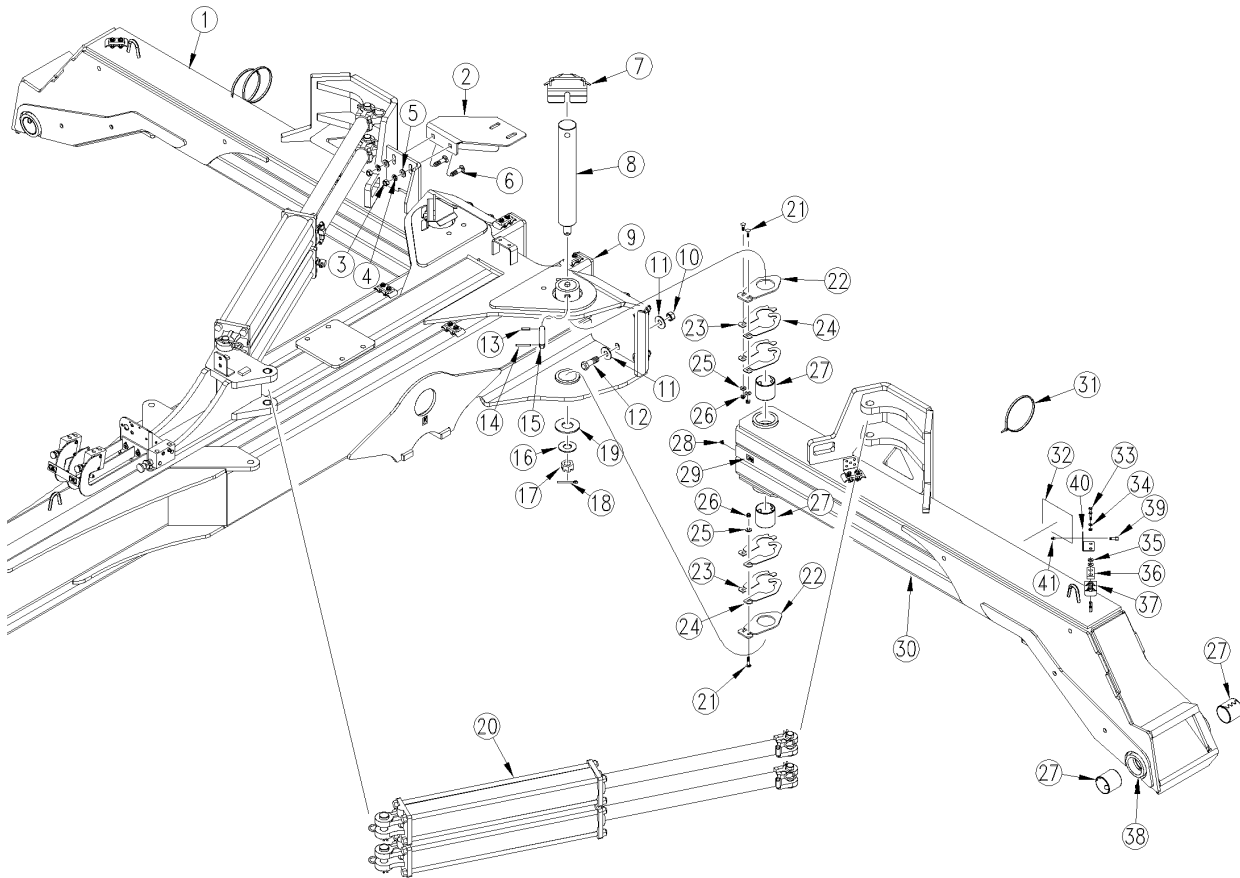
Toolbar Pivot to Box Frame

(Applies to 3S-5000, 3S-5000F, 3S-5000HD, 3S-5000HDF only)

Ref	Part No.	Part Description	Comments	Revision
	dwg34240	Image No.		
	dwg34240	Image No.		
1.	805-085C	PIN COTTER 5/16 X 2 1/2		
1.	805-085C	PIN COTTER 5/16 X 2 1/2		
2.	803-079C	NUT HEX SLOTTED 1 1/4 - 7		
2.	803-079C	NUT HEX SLOTTED 1 1/4 - 7		
3.	804-035C	WASHER FLAT 1 1/4 USS PLT		
3.	804-035C	WASHER FLAT 1 1/4 USS PLT		
4.	197-001D	BOX HINGE PIVOT WASHER		
4.	197-001D	BOX HINGE PIVOT WASHER		
5.	194-473D	4000 TOOLBAR HORIZ PIVOT PIN		
5.	194-473D	4000 TOOLBAR HORIZ PIVOT PIN		
6.	194-270D	TOOLBAR SPACER WASHER		
6.	194-270D	TOOLBAR SPACER WASHER		
7.	890-193C	STEEL BUSHING 3 1/4X3IDX3LONG		
7.	890-193C	STEEL BUSHING 3 1/4X3IDX3LONG		
8.	818-349C	DECAL GREASE 10 HRS LH		
8.	818-349C	DECAL GREASE 10 HRS LH		
9.	194-068H	3S-5000 TOOLBAR RH	Shown	
9.	194-068H	3S-5000 TOOLBAR RH	Shown	
9.	194-067H	3S-5000 TOOLBAR LH		
9.	194-067H	3S-5000 TOOLBAR LH		
10.	194-053H	3S-5000 RH WING FRAME	Shown	
10.	194-053H	3S-5000 RH WING FRAME	Shown	
10.	194-055H	3S-5000 WING FRAME LH		
10.	194-055H	3S-5000 WING FRAME LH		
11.	818-660C	DECAL TRANSPORT LOCK WARNING		
11.	818-660C	DECAL TRANSPORT LOCK WARNING		

Toolbar to Tongue

(Applies to 3S-5000, 3S-5000F, 3S-5000HD, 3S-5000HDF only)



34231

Toolbar to Tongue

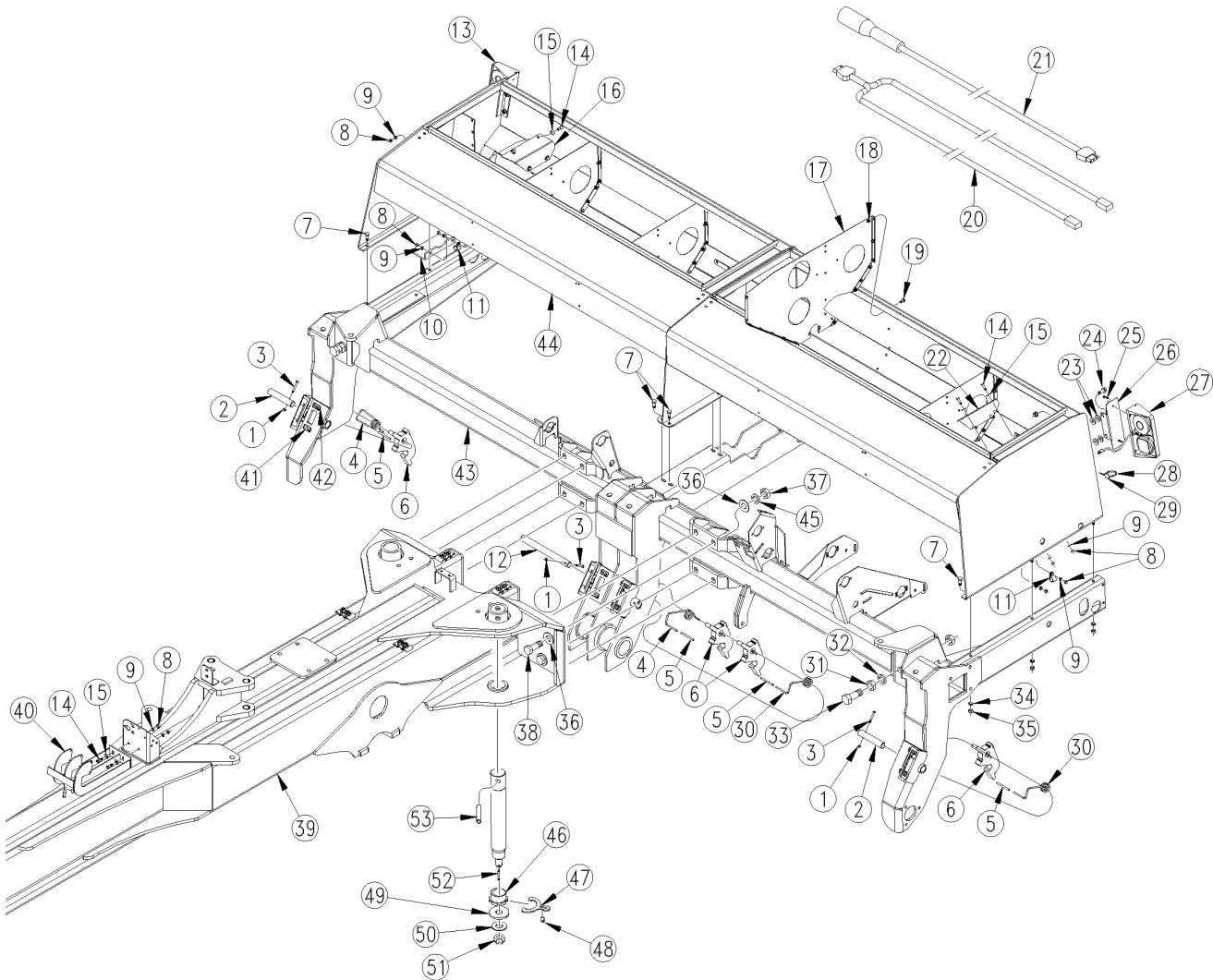
(Applies to 3S-5000, 3S-5000F, 3S-5000HD, 3S-5000HDF only)

Ref	Part No.	Part Description	Comments	Revision
	dwg34231	Image No.		
1.	194-068H	3S-5000 TOOLBAR RH		
2.	194-066H	BREAKAWAY ADJUST BRACKET		
3.	803-021C	NUT HEX 5/8-11 PLT		
4.	804-022C	WASHER LOCK SPRING 5/8 PLT		
5.	804-095C	WASHER FLAT 5/8 HARD ASTM F436		
6.	802-521C	RHSNB 5/8-11X2 1/2 GR5		
7.	194-549H	HNG MNT SHORT HOSE GUIDE		
8.	194-472D	4000 TOOLBAR VERT PIVOT PIN		
9.	194-052H	3S-5000 TONGUE-MAINFRAME WLDMT	(S/N C1287L-)	
9.	194-088H	3S-5000 TONGUE-MAINFRAME WLDMT	(S/N C1288L+)	
10.	803-049C	NUT HEX 7/8-9 PLT		
11.	804-134C	WASHER FLAT 7/8 USS PLT		
12.	802-103C	HHCS 7/8-9X2 3/4 GR5		
13.	805-423C	PIN SPIROL 3/8 X 1 3/8 HEAVY		
14.	805-441C	PIN SPIROL 3/8 X 2 1/2 PLATED		
15.	194-652D	PIN 7/8 OD X 4 1/8 USABLE		
16.	804-035C	WASHER FLAT 1 1/4 USS PLT		
17.	803-079C	NUT HEX SLOTTED 1 1/4 - 7		
18.	805-085C	PIN COTTER 5/16 X 2 1/2		
19.	197-001D	BOX HINGE PIVOT WASHER		
20.	810-805C	CYL 5X30X2.5 CYL ROD (TIE ROD)	Refer to hydraulic cylinder (810-805) for breakdown	
21.	802-252C	RHSNB 3/8-16X1 3/4 GR5		
22.	194-645D	HRDN SPCR WSHR W/SLOTS 5000		
23.	194-647D	SPLIT SPCR WSHR, INNER LCK LONG		
24.	194-648D	SPLIT SPCR WSHR, OUTER LCK LONG		
25.	804-011C	WASHER FLAT 3/8 USS PLT		
26.	803-209C	NUT FLANGE LOCK 3/8-16 PLT		
26.	803-209C	NUT FLANGE LOCK 3/8-16 PLT		
27.	890-193C	STEEL BUSHING 3 1/4X3IDX3LONG		
28.	800-073C	GREASE ZERK 1/4-28 X 90-DEG		
29.	818-400C	DECAL GREASE 50 HRS LH		
30.	194-067H	3S-5000 TOOLBAR LH		
31.	800-082C	CABLE TIE .31X21.5 6DIA 120LB		
32.	818-660C	DECAL TRANSPORT LOCK WARNING		
33.	802-010C	HHCS 5/16-18X1 1/4 GR5		
34.	804-009C	WASHER LOCK SPRING 5/16 PLT		
35.	804-010C	WASHER FLAT 5/16 USS PLT		
36.	196-885D	HOSE CLAMP HOLDDOWN		
37.	196-146D	3-HOSE CLAMP BRACKET		
38.	800-001C	GREASE ZERK STRAIGHT 1/4-28		
39.	800-449C	AD PUSH 1/4 TUBE 1/8 FNPT		
40.	194-577D	5 OUTLET GREASE BANK		
41.	800-130C	GREASE ZERK STRAIGHT 1/8-27NPT		

[Table of Contents](#) [Part Number Index](#)

Center Box and Center Frame to Tongue

(Applies to 3S-5000, 3S-5000F, 3S-5000HD, 3S-5000HDF only)



34243

Center Box and Center Frame to Tongue

(Applies to 3S-5000, 3S-5000F, 3S-5000HD, 3S-5000HDF only)

Ref	Part No.	Part Description	Comments	Revision
	dwg34243	Image No.		
1.	803-011C	NUT LOCK 5/16-18 PLT		
2.	195-160D	GAUGE WHEEL LOCK PIN		
3.	803-138C	NUT HEX 7/8-18 PLT		
4.	194-274D	3S TORSION SPRING HANDLE RH		
5.	816-241C	RUBBER HANDLE GRIP.207IDX3 1/2		
6.	195-159D	SUBFRAME LOCK HOOK		
7.	802-034C	HHCS 1/2-13X1 1/4 GR5		
8.	802-014C	HHCS 3/8-16X3/4 GR5		
9.	804-013C	WASHER LOCK SPRING 3/8 PLT		
10.	148-613D	BOX SUPPORT ANGLE		
11.	800-064C	HOSE CLIP 13/16 ID		
12.	195-416D	TRANSPORT LOCK PIN		
13.	195-349K	5000 BOX LIGHT ASSEMBLY, RH	(S/N C1141L-) Refer to LED Lights.	
14.	802-079C	HHCS 3/8-16X1 1/4 GR5		
15.	804-011C	WASHER FLAT 3/8 USS PLT		
16.	195-102D	INTERIOR ENDPANEL COVER RH		
17.	195-100D	3S BOX PARTITION		
18.	803-199C	NUT HEX FLANGE 5/16-18 PLT		
19.	802-387C	HFS 5/16-18X3/4 GR5		
20.	890-648C	LIGHT HARNESS, 15' WISHBONE	(S/N C1141L-) Refer to LED Lights.	
21.	890-431C	LIGHT HARNESS, 35' LEAD	(S/N C1141L-) Refer to LED Lights.	
22.	195-101D	INTERIOR ENDPANEL COVER LH		
23.	804-016C	WASHER FLAT 1/2 SAE PLT		
24.	802-203C	HFSS 1/2-13X1 1/2 GR5		
25.	801-081C	SCREW HEX SELF TAP 1/4-20X3/4		
26.	195-417D	15' 3SMT LIGHT BRACKET		
27.	195-348K	5000 BOX LIGHT ASSEMBLY, LH	(S/N C1141L-) Refer to LED Lights.	
28.	800-112C	CABLE TIE .19X7.25 1.75D 50LB		
29.	800-148C	CABLE TIE MOUNT		
30.	194-273D	3S TORSION SPRING HANDLE LH		
31.	803-032C	NUT HEX JAM 1 1/4-7 PLT		
32.	804-030C	WASHER LOCK 1 1/4 SPRING PLT		
33.	802-426C	HHCS 1 1/4-7X3 1/2 GR5		
34.	804-015C	WASHER LOCK SPRING 1/2 PLT		
35.	803-020C	NUT HEX 1/2-13 PLT		
36.	804-134C	WASHER FLAT 7/8 USS PLT		
37.	803-049C	NUT HEX 7/8-9 PLT		
38.	802-103C	HHCS 7/8-9X2 3/4 GR5		
39.	194-052H	3S-5000 TONGUE-MAINFRAME WLDMT	(S/N C1287L-)	
39.	194-088H	3S-5000 TONGUE-MAINFRAME WLDMT	(S/N C1288L+)	
40.	194-134H	VALVE MOUNT BRACKET		
41.	818-258C	DECAL TRANSPORT LOCK FIELD		
42.	818-257C	DECAL TRANSPORT LOCK ROAD		
43.	194-054H	3S-5000 CENTER FRAME		
44.	195-450S	5000 CENTER SEED BOX ASSEMBLY		
45.	804-037C	WASHER LOCK SPRING 7/8 PLT		
46.	194-713D	WING SAG REPAIR BSHG CAM .175		
46.	194-714D	WING SAG REPAIR BSHG CAM .150		
46.	194-715D	WING SAG REPAIR BSHG CAM .125		
46.	194-716D	WING SAG REPAIR BSHG CAM .100		
46.	194-717D	WING SAG REPAIR BSHG CAM .075		
46.	194-718D	WING SAG REPAIR BSHG CAM .050		
46.	194-719D	WING SAG REPAIR BSHG CAM .025		
47.	194-720D	WING SAG REPAIR BUSHING WRENCH		
48.	194-721D	WING SAG REPAIR TAB		
49.	197-001D	BOX HINGE PIVOT WASHER		
50.	804-035C	WASHER FLAT 1 1/4 USS PLT		

Center Box and Center Frame to Tongue (continued)

(Applies to 3S-5000, 3S-5000F, 3S-5000HD, 3S-5000HDF only)

Ref	Part No.	Part Description	Comments	Revision
51.	803-079C	NUT HEX SLOTTED 1 1/4 - 7		
52.	805-085C	PIN COTTER 5/16 X 2 1/2		
53.	194-652D	PIN 7/8 OD X 4 1/8 USABLE		

Center Box and Center Frame to Tongue (continued)

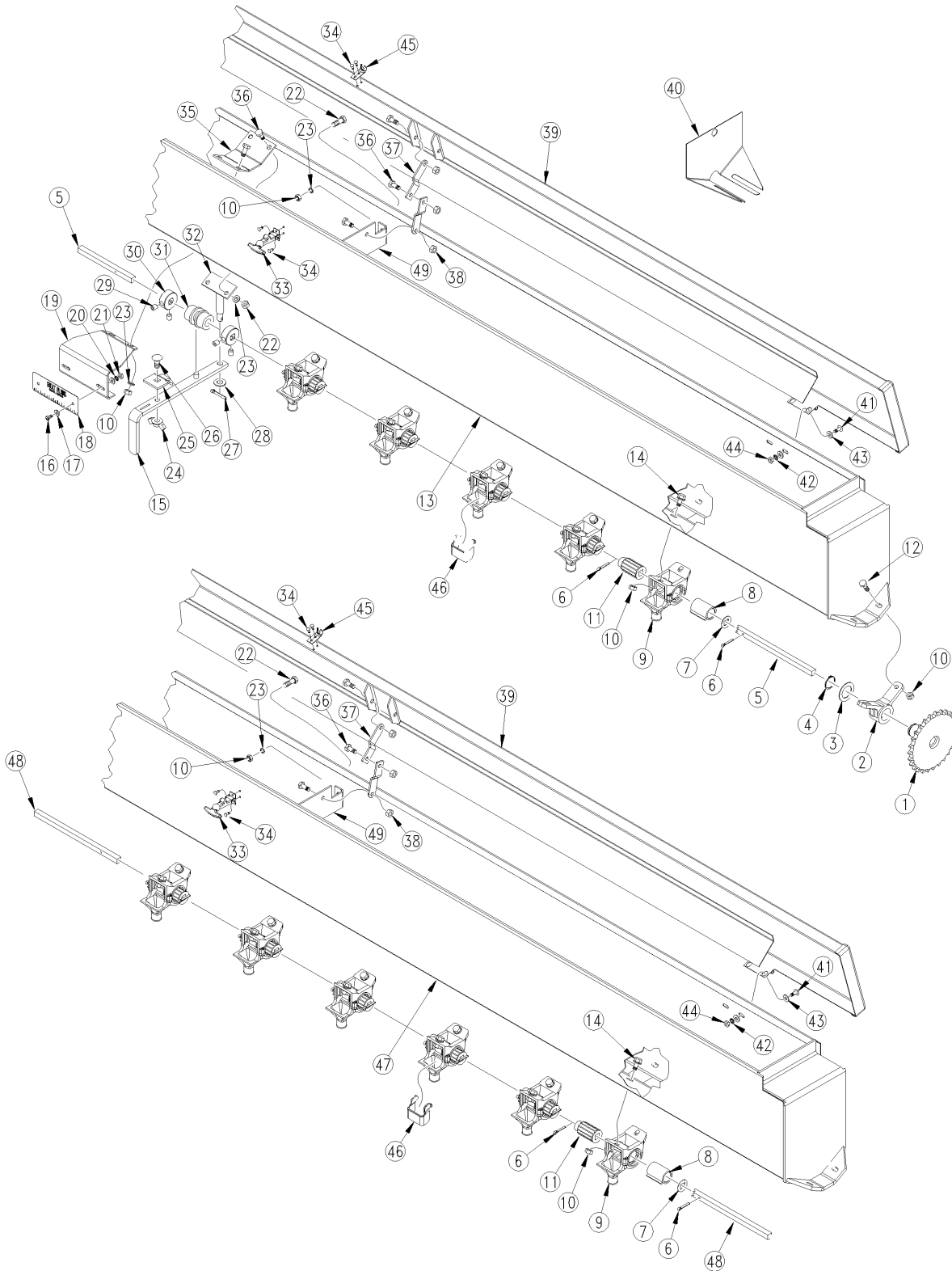
(Applies to 3S-5000, 3S-5000F, 3S-5000HD, 3S-5000HDF only)

This Page Intentionally Left Blank

Table of Contents Part Number Index

Center Section Small Seeds Box Components

(Applies to 3S-5000, 3S-5000F, 3S-5000HD, 3S-5000HDF only)



34362

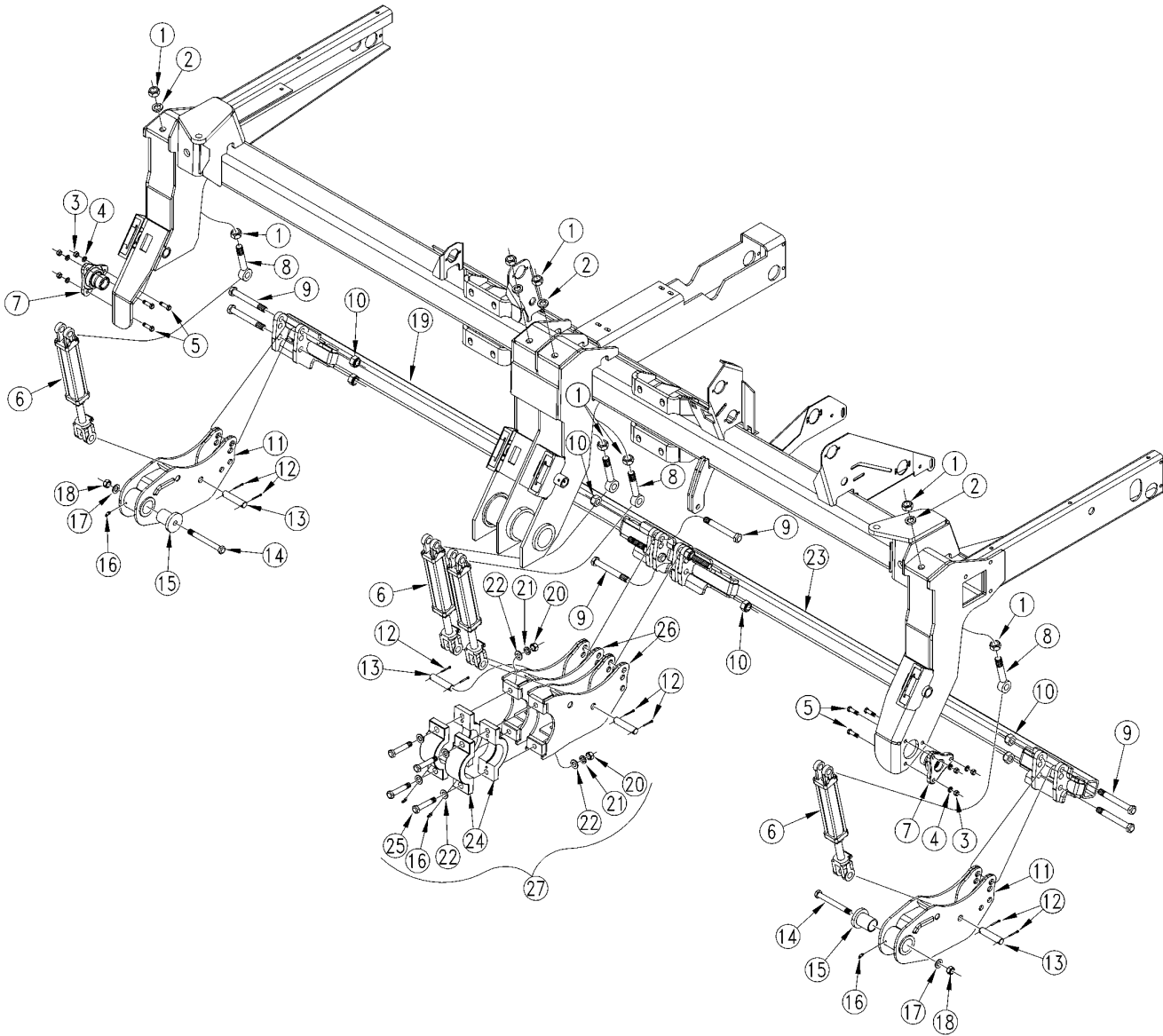
Center Section Small Seeds Box Components

(Applies to 3S-5000, 3S-5000F, 3S-5000HD, 3S-5000HDF only)

Ref	Part No.	Part Description	Comments	Revision
	dwg34362	Image No.		
1.	123-834H	SML SDS DRIVE SPKT HUB 27T		
2.	817-026C	HANGER DRIVE SHAFT		
3.	804-044C	WASHER MACH 1.38 X .876 X .048		
4.	800-028C	SNAP RING .875		
5.	133-125D	5000 CTR SML SDS CUP SHAFT 6"	(SHOWN)	
5.	133-134D	5000 CTR SML SDS CUP SHAFT 7.5		
5.	133-142D	5000 CTR SML SDS CUP SHAFT 10		
6.	805-067C	PIN COTTER 1/8 X 3/4		
7.	804-042C	WASHER GRASS SEEDER CUP SHAFT		
8.	817-009C	GRASS SEEDER SLEEVE		
9.	817-504C	SML SEED FEEDER CUP ASSY		
10.	803-006C	NUT HEX 1/4-20 PLT		
11.	817-010C	GRASS SEEDER SPROCKET		
12.	802-004C	HHCS 1/4-20X3/4 GR5		
13.	133-392H	5000 SML SDS BOX 6 IN CTR	(SHOWN)	
13.	133-402H	5000 SML SDS BOX 7.5 IN CTR		
13.	133-412H	5000 SML SDS BOX 10 IN CTR		
14.	802-148C	HFSS 1/4-20X1/2 GR5		
15.	123-476H	REAR SEED RATE ADJ HANDLE WLD		
16.	801-001C	SCREW RD HD 8-32 X 3/8 BRASS		
17.	804-003C	WASHER FLAT #8 BRASS		
18.	819-041C	SEED ADJUSTMENT GUIDE		
19.	123-410D	GAUGE MOUNTING BRACKET		
20.	804-002C	WASHER INTERNAL STAR #8 BRASS		
21.	803-035C	NUT HEX 8-32 BRASS		
22.	803-006C	NUT HEX 1/4-20 PLT		
23.	804-006C	WASHER LOCK SPRING 1/4 PLT		
24.	803-058C	NUT WING 5/16-18		
25.	123-113D	LOCK TAB		
26.	802-092C	RHSNB 5/16-18X3/4 GR5		
27.	805-019C	PIN COTTER 5/32 X 1 PLT		
28.	804-012C	WASHER FLAT 3/8 SAE PLT		
29.	801-035C	SCREW SET 5/16-18 SKT KP X 3/8		
30.	890-349C	3/8 SHAFT LOCKING COLLAR		
31.	123-116D	SEED ADJUSTMENT SPOOL		
32.	123-050H	ADJUSTMENT HANDLE PIVOT		
33.	816-112C	RUBBER LATCH 37-11-065-10		
34.	800-101C	RIVET POP 1/8 .125 AD42BSLF		
35.	123-118D	SEED ADJUSTMENT SUPPORT		
36.	802-078C	HHCS 1/4-20X5/8 GR5		
37.	123-356D	10' EWNT SGS LID LATCH		
38.	803-007C	NUT LOCK 1/4-20 PLT		
39.	133-390H	5000 CTR SML SDS LID		
40.	123-409D	RMVBL SMALL SEED BOX PARTITION		
41.	801-003C	SCREW RD HD SLT 10-24X1/2 PLT		
42.	804-004C	WASHER INTERNAL STAR #10 PLT		
43.	804-046C	WASHER FLAT #10 SAE PLT		
44.	803-001C	NUT HEX 10-24 PLT		
45.	816-113C	LATCH KEEPER 37-15-061-17		
46.	817-806C	SMALL SEEDS CUP WIND SHIELD		
47.	133-389H	5000 SML SDS BOX 6 IN CTR	(SHOWN)	
47.	133-400H	5000 SML SDS BOX 7.5 IN CTR		
47.	133-410H	5000 SML SDS BOX 10 IN CRT		
48.	133-122D	5000 CTR SML SDS CUP SHAFT 6"	(SHOWN)	
48.	133-132D	5000 CTR SML SDS CUP SHAFT 7.5		
48.	133-140D	5000 CTR SML SDS CUP SHAFT 10		
49.	133-147D	SGS UPPER BOX PARTITION		

Center Sub-Frame

(Applies to 3S-5000, 3S-5000F, 3S-5000HD, 3S-5000HDF only)



34312

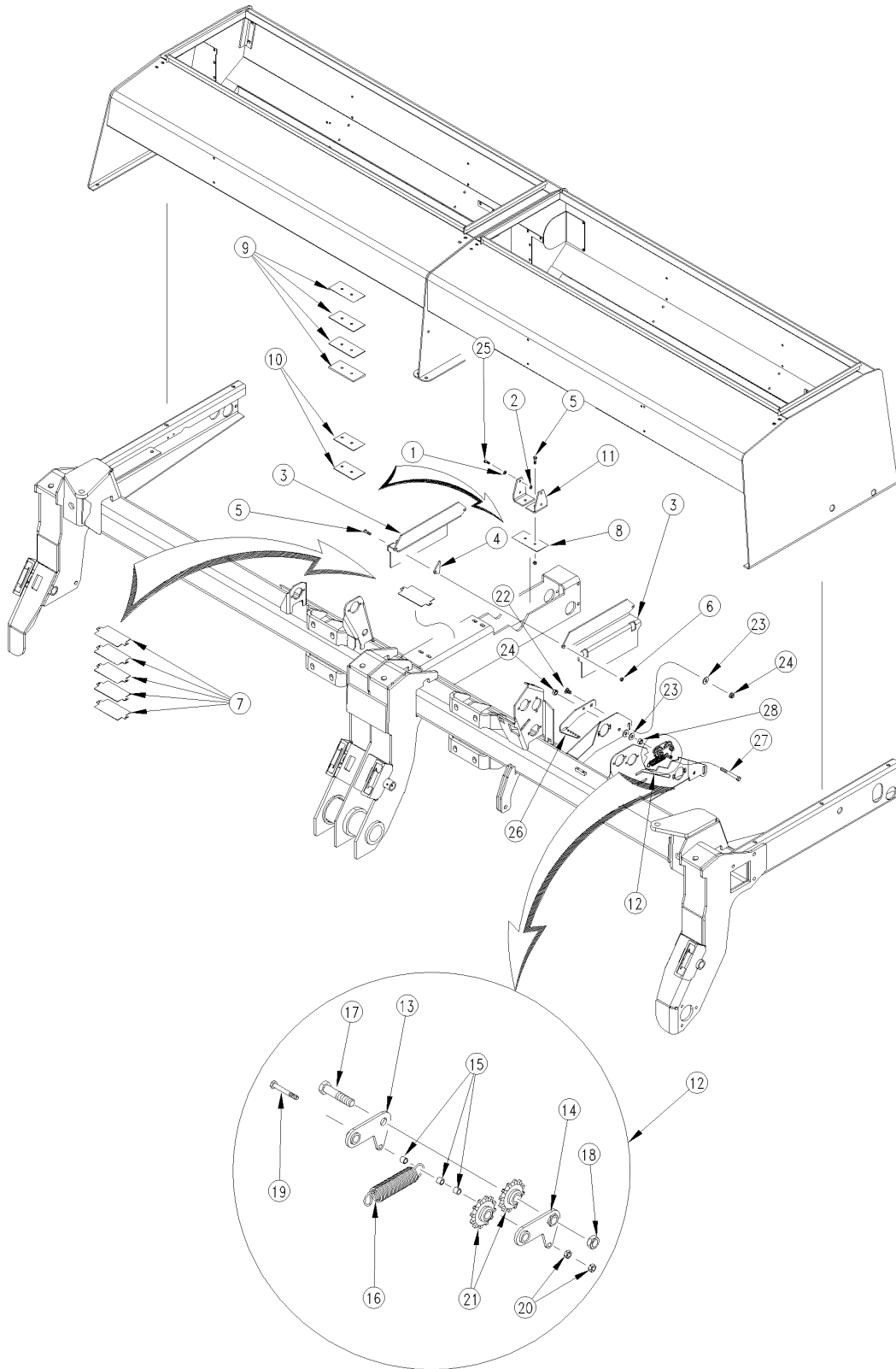
Center Sub-Frame

(Applies to 3S-5000, 3S-5000F, 3S-5000HD, 3S-5000HDF only)

Ref	Part No.	Part Description	Comments	Revision
	dwg34312	Image No.		
1.	803-031C	NUT HEX 1-8 PLT		
2.	804-027C	WASHER LOCK SPRING 1 PLT		
3.	803-020C	NUT HEX 1/2-13 PLT		
4.	804-015C	WASHER LOCK SPRING 1/2 PLT		
5.	802-082C	HHCS 1/2-13X1 3/4 GR5		
6.	810-299C	CYL 2X8X1.12 ROD (TIE ROD)	Refer to hydraulic cylinder (810-299C) for breakdown	
7.	120-247D	3 BOLT PIVOT CAST W/ BOLT HOLE		
8.	194-129H	6 1/8 EYE BOLT		
9.	802-139C	HHCS 7/8-9X7 GR5		
10.	803-028C	NUT NY-LOK 7/8-9 PLT		
11.	194-156H	SUBFRAME FLEX ARM, INNER		
12.	805-104C	PIN COTTER 3/16 X 1 1/2 PLT		
13.	805-236C	PIN CLEVIS 1 X 3 7/8 USBLE PLT		
14.	802-095C	HHCS 3/4-10X7 GR5		
15.	195-188H	SUBFRAME ARM RETAINER		
16.	800-058C	GREASE ZERK 1/4-28 X 45-DEG		
17.	804-025C	WASHER FLAT 3/4 SAE PLT		
18.	803-026C	NUT LOCK 3/4-10 PLT		
19.	194-037H	3S-5000 CENTER RIGHT SUBFRAME		
20.	803-027C	NUT HEX 3/4-10 PLT		
21.	804-023C	WASHER LOCK SPRING 3/4 PLT		
22.	804-025C	WASHER FLAT 3/4 SAE PLT		
23.	194-036H	3S-5000 CENTER LEFT SUBFRAME		
24.	180-177D	M.F. G.W. ROCKSHAFT BRG. SM		
25.	802-068C	HHCS 3/4-10X4 GR5		
26.	194-046H	3S-5000 SUBFRM PIVOT ARM		
27.	194-123K	3S BRG ASSEMBLY	Includes items: 16, 20-22, 24, and 25	

Center Box Support Kit

(Applies to 3S-5000, 3S-5000F, 3S-5000HD, 3S-5000HDF only)



38935

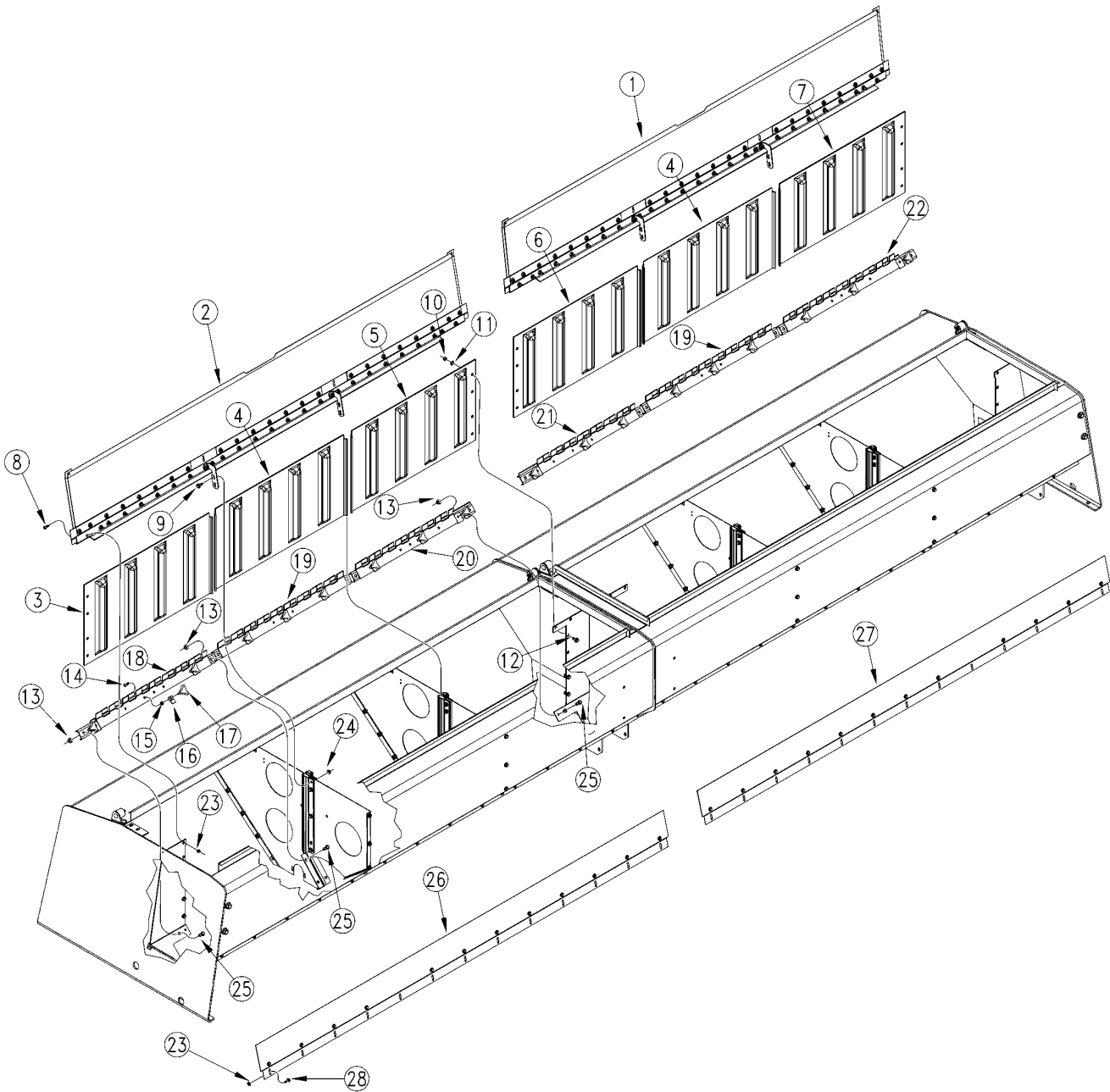
Center Box Support Kit

(Applies to 3S-5000, 3S-5000F, 3S-5000HD, 3S-5000HDF only)

Ref	Part No.	Part Description	Comments	Revision
	dwg 38935	Image No.		
1.	804-036C	WASHER FLAT 5/16 SAE PLT		
2.	803-011C	NUT LOCK 5/16-18 PLT		
3.	195-468D	CLAMP, CENTER BOX HOLD DOWN		
4.	195-470D	SPACER, BOX HOLD DOWN		
5.	802-079C	HHCS 3/8-16X1 1/4 GR5		
6.	803-013C	NUT LOCK 3/8-16 PLT		
7.	195-469D	SHIM, BOX CENTER SPPT 3S-5000		
8.	195-471D	50' BOX REAR CTR SUPT PLT BASE		
9.	195-472D	50' BOX REAR CTR SUPPORT SHIM		
10.	195-474D	50' BOX REAR CTR SPPT SHIM SG		
11.	195-473D	50' BOX REAR CTR SUPPORT PLT		
12.	195-421K	CHAIN IDLER RETRO KIT 3S-5000	Includes 13 - 21.	
13.	195-422H	CHAIN IDLER TOGGLE WLDMT		
14.	195-423H	CHAIN IDLER NUT TOGGLE WLDMT		
15.	195-475D	CHAIN IDLER SPRING SPACER		
16.	807-236C	SPRING EXT. 1.0ODX5.OLX.095MW		
17.	802-038C	HHCS 1/2-13X2 1/4 GR5		
18.	803-036C	NUT HEX JAM 1/2-13 PLT		
19.	802-152C	HHCS 1/4-20X2 GR5		
20.	803-007C	NUT LOCK 1/4-20 PLT		
21.	817-025C	NO. 40 12T IDLER SPKT.		
22.	802-183C	RHSNB 1/2-13X1 GR5		
23.	804-113C	WASHER FLAT 1/2 USS HARD PLT		
24.	803-169C	NUT HEX FLG LOCK 1/2-13 PLT		
25.	802-159C	HHCS 5/16-18X1 GR5		
26.	195-476D	CHAIN IDLER SPRING BASE MOUNT	Shown. Used on right hand and center sections.	
26.	195-477D	CHAIN IDLER SPRING BASE LH WNG	Used on left hand section	
27.	802-413C	HHCS 1/2-13X4 1/2 GR5		
28.	803-020C	NUT HEX 1/2-13 PLT		

Fertilizer Box Dividers

(Applies to 3S-5000, 3S-5000F, 3S-5000HD, 3S-5000HDF only)



34257

Fertilizer Box Dividers

(Applies to 3S-5000, 3S-5000F, 3S-5000HD, 3S-5000HDF only)

Ref	Part No.	Part Description	Comments	Revision
	dwg34257	Image No.		
1.	175-306S	5000 SPILL FLAP SUB ASSEMBLY	(SHOWN) Used on Wing Sections	
1.	175-304S	5000 SPILL FLAP SUB ASSEMBLY	Used on Center Section only	
2.	175-305S	5000 SPILL FLAP SUB ASSEMBLY	(SHOWN) Used on Wing Sections	
2.	175-303S	5000 SPILL FLAP SUB ASSEMBLY	Used on Center Section only	
3.	817-963C	DIVIDER INSERT LH OUTER	(SHOWN) Used on Wing Sections	
3.	817-959C	DIVIDER INSERT LH OUTER	Used on Center Section only	
3.	195-412H	DVDR INSERT OFST WLD 17.5 OUT	Used on Wing Sections with Offset Divider Option only	
3.	195-414H	DVDR INSERT OFST WLD 15' OUT	Used on Center Sections with Offset Divider Option only	
4.	817-954C	DIVIDER INSERT NO OFFSET		
4.	195-415H	DVDR INSERT OFST WLD	Used with Offset Divider Option only	
5.	817-962C	DIVIDER INSERT LH MID	(SHOWN) Used on Wing Sections	
5.	817-958C	DIVIDER INSERT LH MID	Used on Center Section only	
5.	195-411H	DVDR INSERT OFST WLD 17.5 INR	Used on Wing Sections with Offset Divider Option only	
5.	195-413H	DVDR INSERT OFST WLD 15' INR	Used on Center Sections with Offset Divider Option only	
6.	817-961C	DIVIDER INSERT RH MID	(SHOWN) Used on Wing Sections	
6.	817-957C	DIVIDER INSERT RH MID	Used on Center Section only	
6.	195-411H	DVDR INSERT OFST WLD 17.5 INR	Used on Wing Sections with Offset Divider Option only	
6.	195-413H	DVDR INSERT OFST WLD 15' INR	Used on Center Sections with Offset Divider Option only	
7.	817-960C	DIVIDER INSERT RH OUTER	(SHOWN) Used on Wing Sections	
7.	817-956C	DIVIDER INSERT RH OUTER	Used on Center Section only	
7.	195-412H	DVDR INSERT OFST WLD 17.5 OUT	Used on Wing Sections with Offset Divider Option only	
7.	195-414H	DVDR INSERT OFST WLD 15' OUT	Used on Center Sections with Offset Divider Option only	
8.	802-375C	HFSS 1/4-20X1 GR5		
9.	802-442C	HFSS 5/16-18X1 1/4		
10.	803-008C	NUT HEX 5/16-18 PLT		
11.	804-036C	WASHER FLAT 5/16 SAE PLT		
12.	802-387C	HFS 5/16-18X3/4 GR5		
13.	803-209C	NUT FLANGE LOCK 3/8-16 PLT		
14.	802-005C	HHCS 1/4-20X1 GR5		
15.	803-007C	NUT LOCK 1/4-20 PLT		
16.	195-208D	RETAINER CLIP		
17.	817-324C	KNOB 1/4-20 FEMALE THD		
18.	195-343H	DIVIDER BOTTOM BRACKET LH	(SHOWN) Used on Wing Sections	
18.	195-338H	DIVIDER BOTTOM BRACKET LH	Used on Center Section only	
19.	195-344H	DIVIDER BOTTOM BRACKET CTR	(SHOWN) Used on Wing Sections	
19.	195-339H	DIVIDER BOTTOM BRACKET CTR	Used on Center Section only	
20.	195-345H	DIVIDER BOTTOM BRACKET RH	(SHOWN) Used on Wing Sections	
20.	195-340H	DIVIDER BOTTOM BRACKET RH	Used on Center Section only	
21.	195-346H	DIVIDER BOTTOM BRACKET LH	(SHOWN) Used on Wing Sections	
21.	195-341H	DIVIDER BOTTOM BRACKET LH	Used on Center Section only	
22.	195-347H	DIVIDER BOTTOM BRACKET LH	(SHOWN) Used on Wing Sections	
22.	195-342H	DIVIDER BOTTOM BRACKET RH	Used on Center Section only	
23.	803-088C	NUT HEX LOCK 1/4-20 FLG		
24.	803-177C	NUT HEX FLG TP LK 5/16-18ZNYCR		
25.	802-017C	HHCS 3/8-16X1 GR5		
26.	195-330S	5000 SEED/FERT FLAP SUB ASSY	(SHOWN) Used on Wing Sections	
26.	195-326S	5000 SEED/FERT FLAP SUB ASSY	Used on Center Section only	
27.	195-331S	5000 SEED/FERT FLAP SUB ASSY	(SHOWN) Used on Wing Sections	
27.	195-327S	5000 SEED/FERT FLAP SUB ASSY	Used on Center Section only	

Fertilizer Box Dividers (continued)

(Applies to 3S-5000, 3S-5000F, 3S-5000HD, 3S-5000HDF only)

Ref	Part No.	Part Description	Comments	Revision
28.	802-196C	HFSS 1/4-20X5/8 GR5		

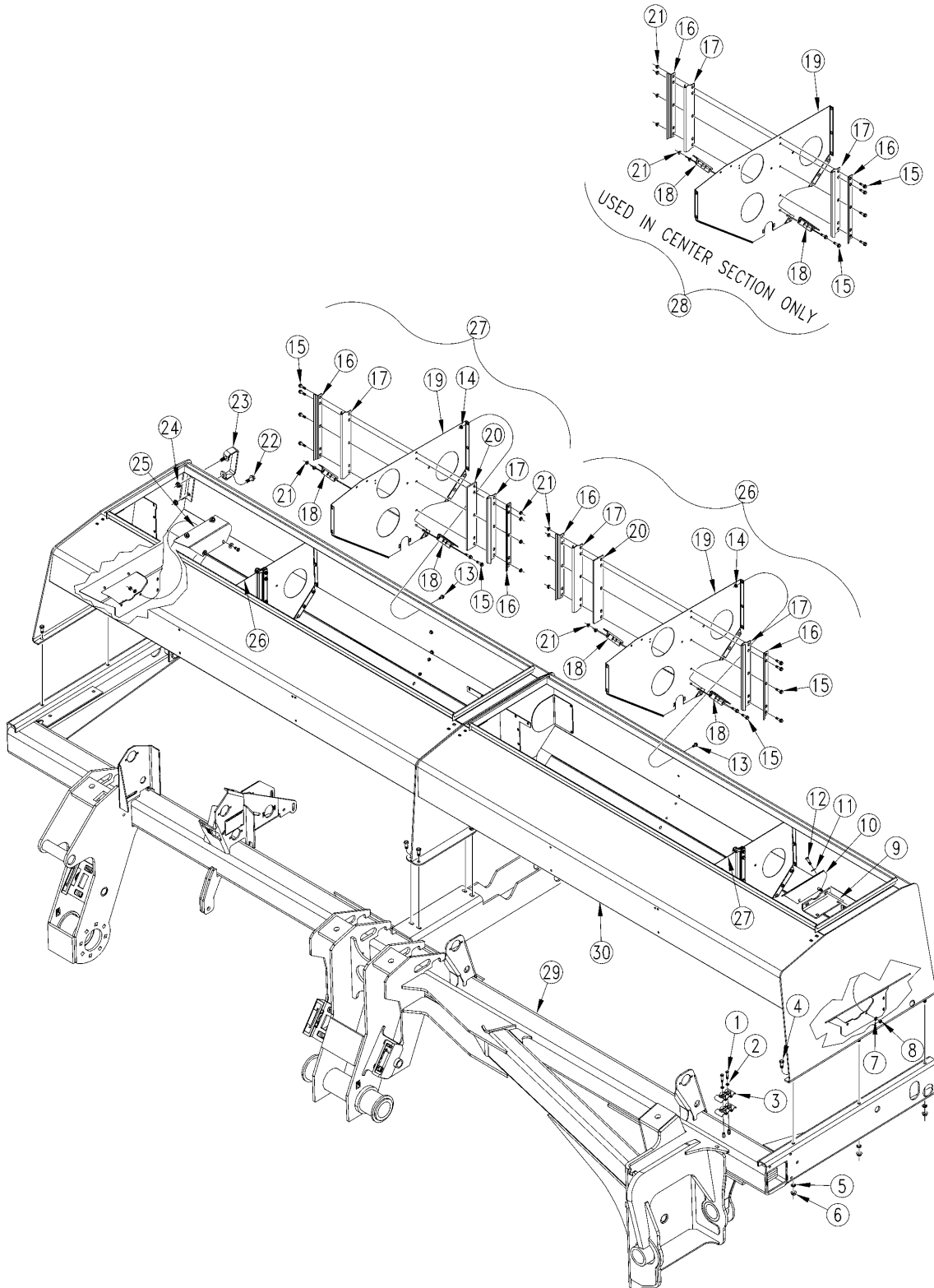
Fertilizer Box Dividers (continued)

(Applies to 3S-5000, 3S-5000F, 3S-5000HD, 3S-5000HDF only)

This Page Intentionally Left Blank

Fertilizer Box to Frame

(Applies to 3S-5000, 3S-5000F, 3S-5000HD, 3S-5000HDF only)



34251

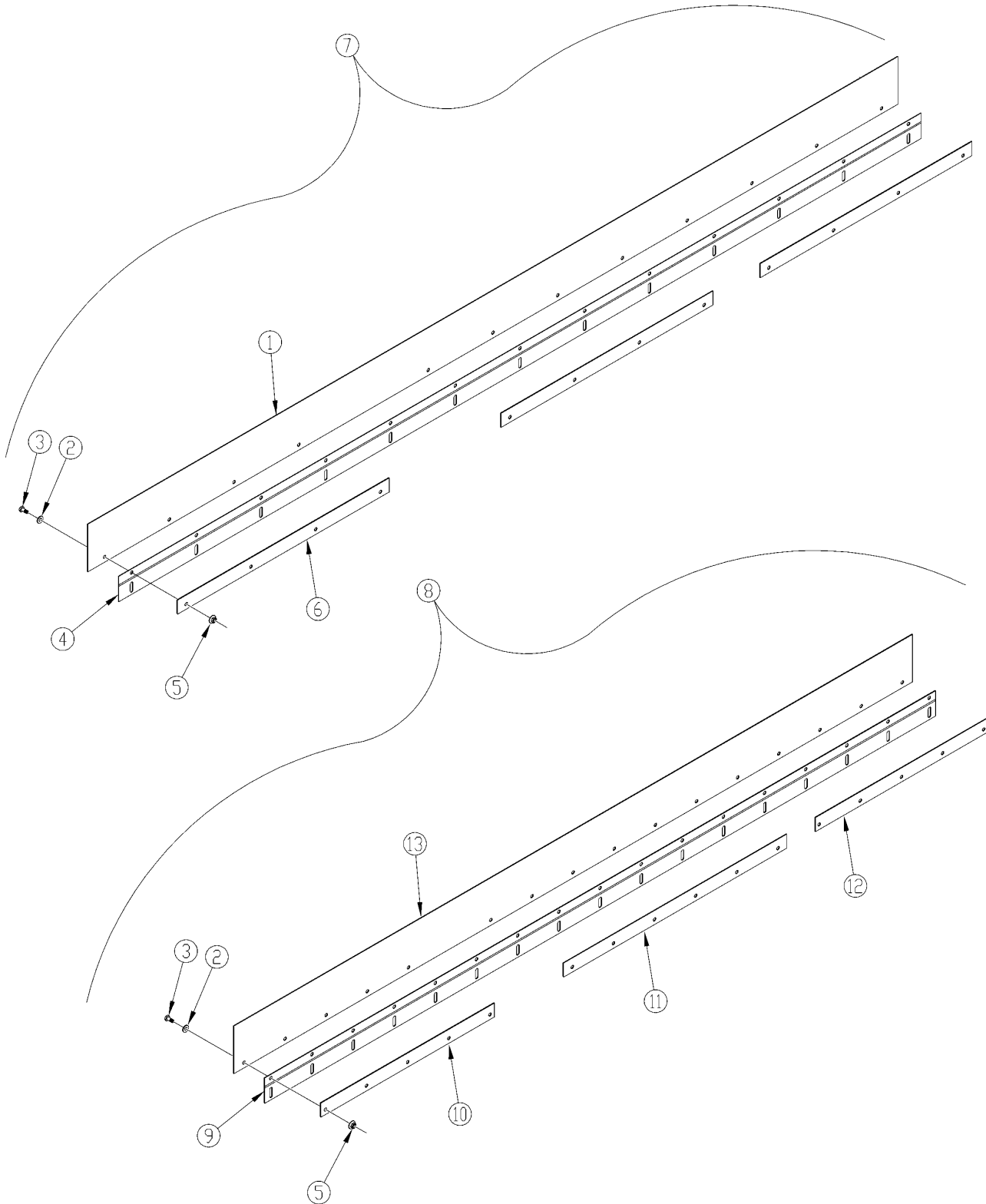
Fertilizer Box to Frame

(Applies to 3S-5000, 3S-5000F, 3S-5000HD, 3S-5000HDF only)

Ref	Part No.	Part Description	Comments	Revision
	dwg34251	Image No.		
1.	803-138C	NUT HEX 7/8-18 PLT		
2.	804-009C	WASHER LOCK SPRING 5/16 PLT		
3.	196-146D	3-HOSE CLAMP BRACKET		
4.	802-034C	HHCS 1/2-13X1 1/4 GR5		
5.	804-015C	WASHER LOCK SPRING 1/2 PLT		
6.	803-169C	NUT HEX FLG LOCK 1/2-13 PLT		
7.	804-013C	WASHER LOCK SPRING 3/8 PLT		
8.	803-014C	NUT HEX 3/8-16 PLT		
9.	148-613D	BOX SUPPORT ANGLE		
10.	195-101D	INTERIOR ENDPANEL COVER LH		
11.	804-011C	WASHER FLAT 3/8 USS PLT		
12.	802-079C	HHCS 3/8-16X1 1/4 GR5		
13.	802-442C	HFSS 5/16-18X1 1/4		
14.	195-205D	DIVIDER ANGLE BRACKET		
15.	802-387C	HFS 5/16-18X3/4 GR5		
16.	195-207D	DIVIDER CLIP OUTER		
17.	195-206D	DIVIDER CLIP INNER		
18.	803-199C	NUT HEX FLANGE 5/16-18 PLT		
19.	195-100D	3S BOX PARTITION		
20.	195-390D	DIVIDER CLIP SPACER		
21.	803-177C	NUT HEX FLG TP LK 5/16-18ZNYCR		
22.	802-203C	HFSS 1/2-13X1 1/2 GR5		
23.	119-190D	HANDLE		
24.	803-169C	NUT HEX FLG LOCK 1/2-13 PLT		
25.	195-102D	INTERIOR ENDPANEL COVER RH		
26.	195-332S	3S BOX PARTITION -FERT SUBASSY	Used on Wing Sections only, includes items 15-21	
27.	195-333S	3S BOX PARTITION -FERT SUBASSY	Used on Wing Sections only, includes items 15-21	
28.	195-150S	3S BOX PARTITION -FERT SUBASSY	Used on Center Section only, includes items 15-19, and 21	
29.	194-053H	3S-5000 RH WING FRAME	(SHOWN)	
29.	194-054H	3S-5000 CENTER FRAME		
29.	194-055H	3S-5000 WING FRAME LH		
30.	195-451S	5000 WING SEED BOX ASSEMBLY	(SHOWN) Used on Wing Sections only	
30.	195-450S	5000 CENTER SEED BOX ASSEMBLY	Used on Center Section only	

Fertilizer Flap

(Applies to 3S-5000, 3S-5000F, 3S-5000HD, 3S-5000HDF only)



34258

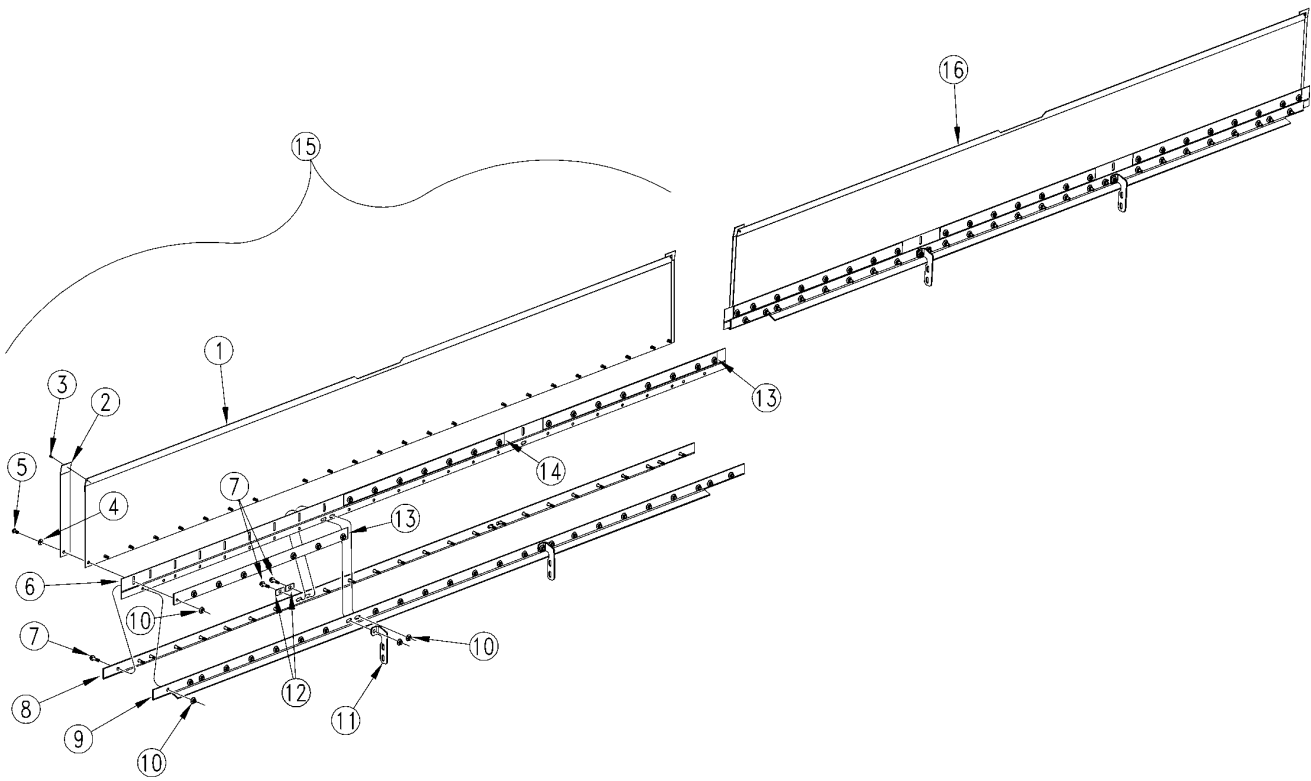
Fertilizer Flap

(Applies to 3S-5000, 3S-5000F, 3S-5000HD, 3S-5000HDF only)

Ref	Part No.	Part Description	Comments	Revision
	dwg34258	Image No.		
1.	195-388D	5000 SEED/FERT SELECT FLAP		
2.	804-007C	WASHER FLAT 1/4 SAE PLT		
3.	802-078C	HHCS 1/4-20X5/8 GR5		
4.	816-746C	RUBBER BELTING HINGE 17		
5.	803-088C	NUT HEX LOCK 1/4-20 FLG		
6.	195-389D	5000 HINGE CLAMP STRIP CTR		
7.	195-330S	5000 SEED/FERT FLAP SUB ASSY	Includes items:1-6	
7.	195-331S	5000 SEED/FERT FLAP SUB ASSY	(SHOWN) Includes items:1-6	
8.	195-326S	5000 SEED/FERT FLAP SUB ASSY	Includes items:2, 3, 5, and 9-13	
8.	195-327S	5000 SEED/FERT FLAP SUB ASSY	(SHOWN) Includes items:2, 3, 5, and 9-13	
9.	816-745C	RUBBER BELTING HINGE 15		
10.	195-385D	5000 HINGE CLAMP STRIP END		
11.	195-386D	5000 HINGE CLAMP STRIP CTR		
12.	195-387D	5000 HINGE CLAMP STRIP END		
13.	195-384D	5000 SEED/FERT SELECT FLAP		

Fertilizer Spill Flap

(Applies to 3S-5000, 3S-5000F, 3S-5000HD, 3S-5000HDF only)



34256

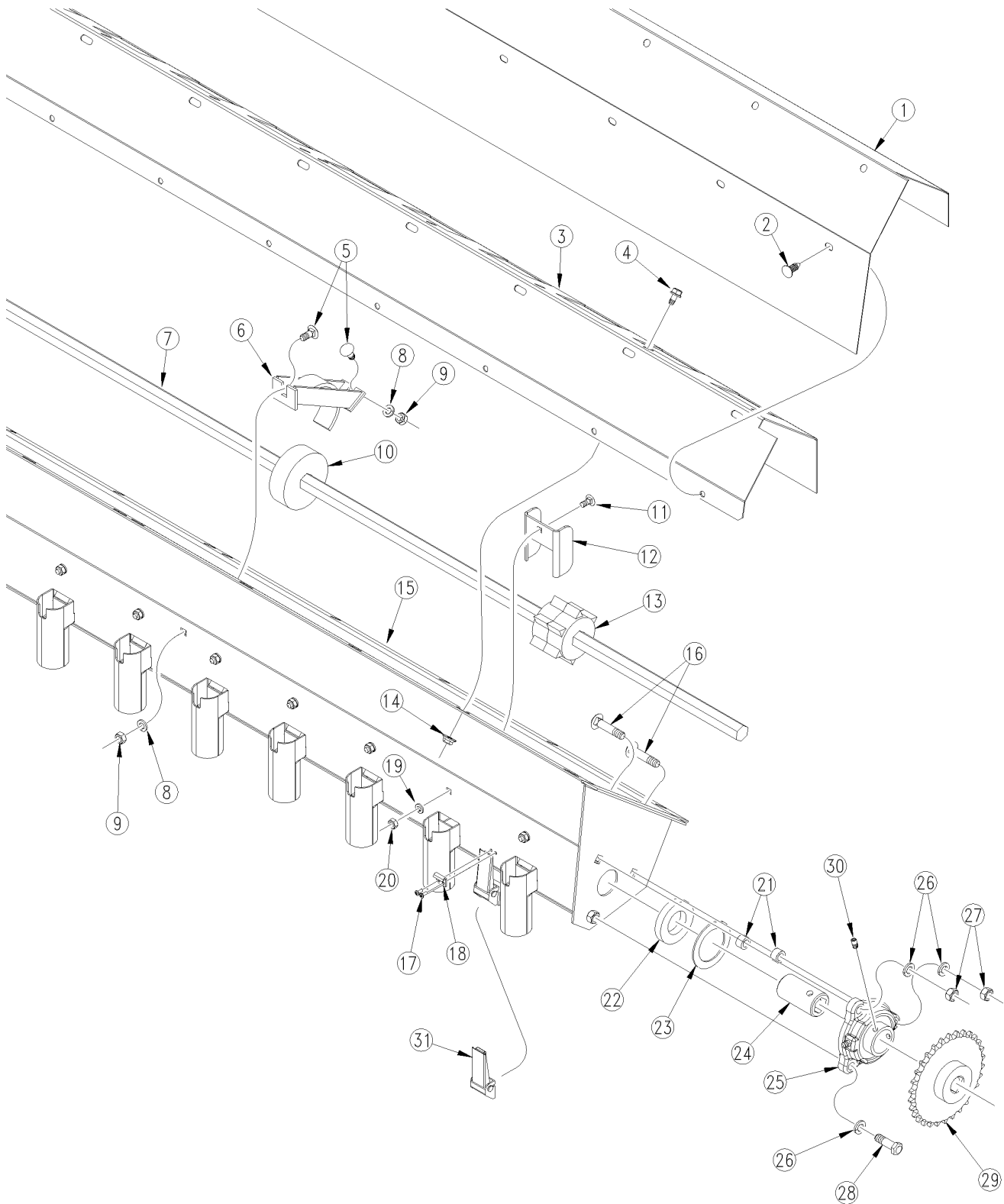
Fertilizer Spill Flap

(Applies to 3S-5000, 3S-5000F, 3S-5000HD, 3S-5000HDF only)

Ref	Part No.	Part Description	Comments	Revision
	dwg34256	Image No.		
1.	175-474D	5000 SPILL FLAP	Used with Wing Section	
1.	175-470D	5000 SPILL FLAP	Used with Center Section	
2.	816-278C	RUBBER BELTING SEAL STRIP		
3.	800-012C	RIVET SS 1/8 DIA		
4.	804-007C	WASHER FLAT 1/4 SAE PLT		
5.	802-078C	HHCS 1/4-20X5/8 GR5		
6.	816-744C	RUBBER BELTING HINGE 17	Used with Wing Section	
6.	816-743C	RUBBER BELTING HINGE 15 EW	Used with Center Section	
7.	802-375C	HFSS 1/4-20X1 GR5		
8.	195-383D	5000 HINGE CLAMP STRIP END	Used with Wing Section	
8.	175-472D	5000 DIVIDER CLAMP ANGLE	Used with Center Section	
9.	175-475D	5000 DIVIDER CLAMP ANGLE	Used with Wing Section	
9.	175-471D	5000 DIVIDER CLAMP ANGLE	Used with Center Section	
10.	803-088C	NUT HEX LOCK 1/4-20 FLG		
11.	195-192D	TOP BAR PARTITION BRACE		
12.	175-473D	5000 DIVIDER CLAMP WASHER		
13.	195-382D	5000 HINGE CLAMP STRIP END	Used with Wing Section	
13.	195-379D	5000 HINGE CLAMP STRIP END	Used with Center Section	
14.	195-380D	5000 HINGE CLAMP STRIP CENTER		
15.	175-305S	5000 SPILL FLAP SUB ASSEMBLY	(SHOWN) LH Wing Includes items:1-14	
15.	175-303S	5000 SPILL FLAP SUB ASSEMBLY	LH Center Includes items:1-14	
16.	175-306S	5000 SPILL FLAP SUB ASSEMBLY	(SHOWN) RH Wing Includes items:1-14	
16.	175-304S	5000 SPILL FLAP SUB ASSEMBLY	RH Center Includes items:1-14	

Fertilizer Tray

(Applies to 3S-5000, 3S-5000F, 3S-5000HD, 3S-5000HDF only)



34282

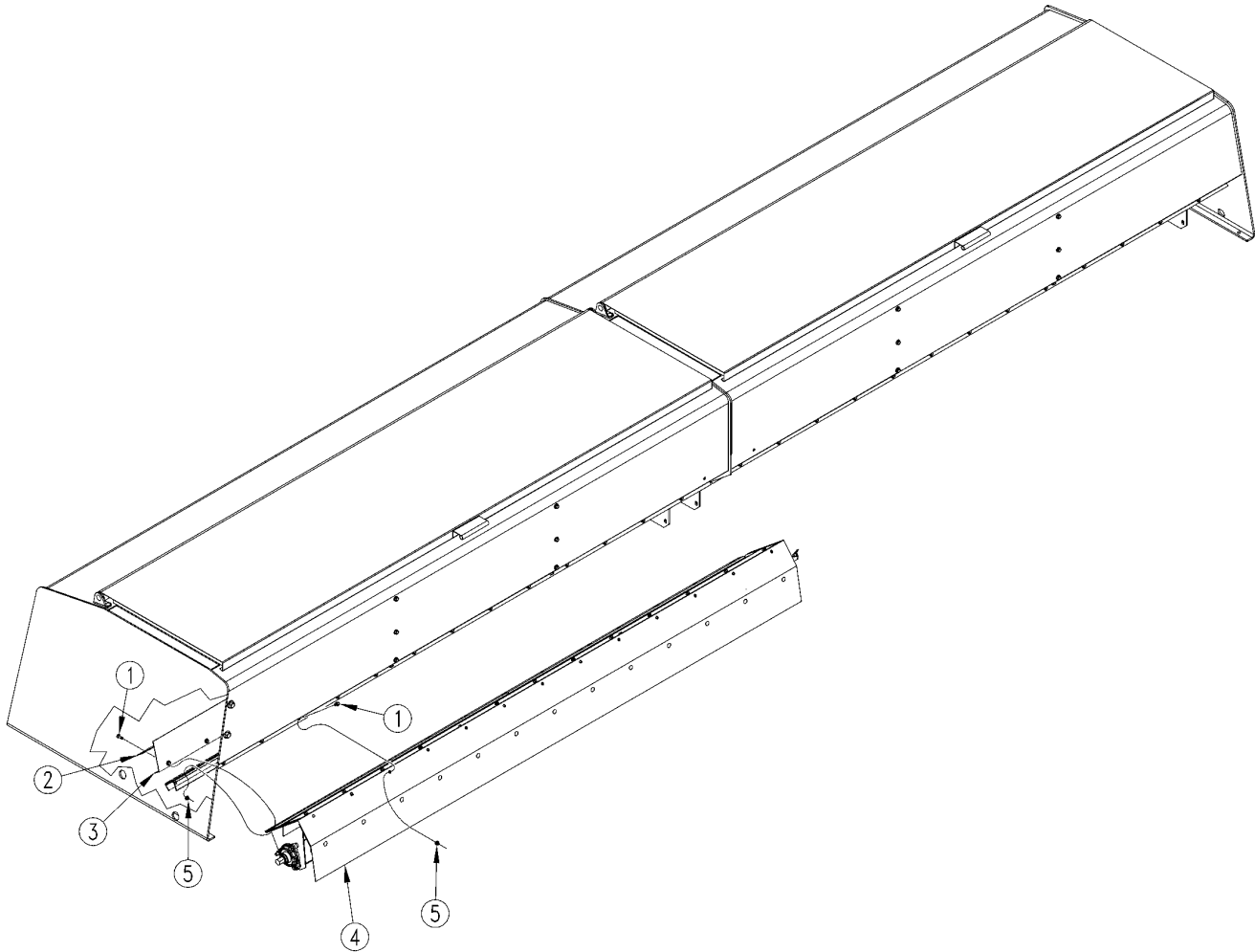
Fertilizer Tray

(Applies to 3S-5000, 3S-5000F, 3S-5000HD, 3S-5000HDF only)

Ref	Part No.	Part Description	Comments	Revision
	dwg34282	Image No.		
1.	816-742C	VINYL FERT DEW SHIELD 17	(SHOWN) Used on Wing Section	
1.	816-740C	VINYL FERT DEW SHIELD 15	Used on Center Section	
2.	817-323C	NYLON RATCHET (TREE RIVET)		
3.	175-446D	5000 FERT TRAY ADAPTER PANEL	(SHOWN) Used on Wing Section	
3.	175-435D	5000 FERT TRAY ADAPTER PANEL	Used on Center Section	
4.	802-148C	HFSS 1/4-20X1/2 GR5		
5.	802-092C	RHSNB 5/16-18X3/4 GR5		
6.	175-102H	13' EW FERT BRG RETAINER		
7.	175-439D	5000 AGITATOR SHAFT	(SHOWN) Used on Wing Section	
7.	175-434D	5000 AGITATOR SHAFT	Used on Center Section	
8.	804-009C	WASHER LOCK SPRING 5/16 PLT		
9.	803-008C	NUT HEX 5/16-18 PLT		
10.	191-002D	MF FERT HEX BORE PLASTIC BUSH		
11.	802-633C	RHSNB 1/4-20X5/8 PLT		
12.	191-018D	MF FERT STAR RETAINER SIDE PLT		
13.	817-053C	6 POINT FERT METERING WHEEL		
14.	803-088C	NUT HEX LOCK 1/4-20 FLG		
15.	175-284H	5000 FERT TRAY WELDMENT 6	(SHOWN) Used on Wing Section	
15.	175-280H	5000 FERT TRAY WELDMENT 6	Used on Center Section	
16.	802-252C	RHSNB 3/8-16X1 3/4 GR5		
17.	800-012C	RIVET SS 1/8 DIA		
18.	800-032C	LATCH STRIKE		
19.	804-006C	WASHER LOCK SPRING 1/4 PLT		
20.	803-006C	NUT HEX 1/4-20 PLT		
21.	141-084D	TRAY BRG SPACER		
22.	804-048C	WASHER MACH 2.50 X1.75 X .075		
23.	890-026C	FELT SEAL		
24.	191-001D	MF FERT .75 HEX BORE BUSHING		
25.	822-083C	BRG FLG 1.25ID 3BOLT		
26.	804-013C	WASHER LOCK SPRING 3/8 PLT		
27.	803-014C	NUT HEX 3/8-16 PLT		
28.	802-079C	HHCS 3/8-16X1 1/4 GR5		
29.	808-086C	SPKT 40B30 X 3/4 HEXBORE W/ SS		
30.	801-009C	SCREW SET 1/4-28 SH X 1/2 LG		
31.	800-030C	LATCH FERT TRAY DOOR		

Fertilizer Tray To Box

(Applies to 3S-5000, 3S-5000F, 3S-5000HD, 3S-5000HDF only)



34259

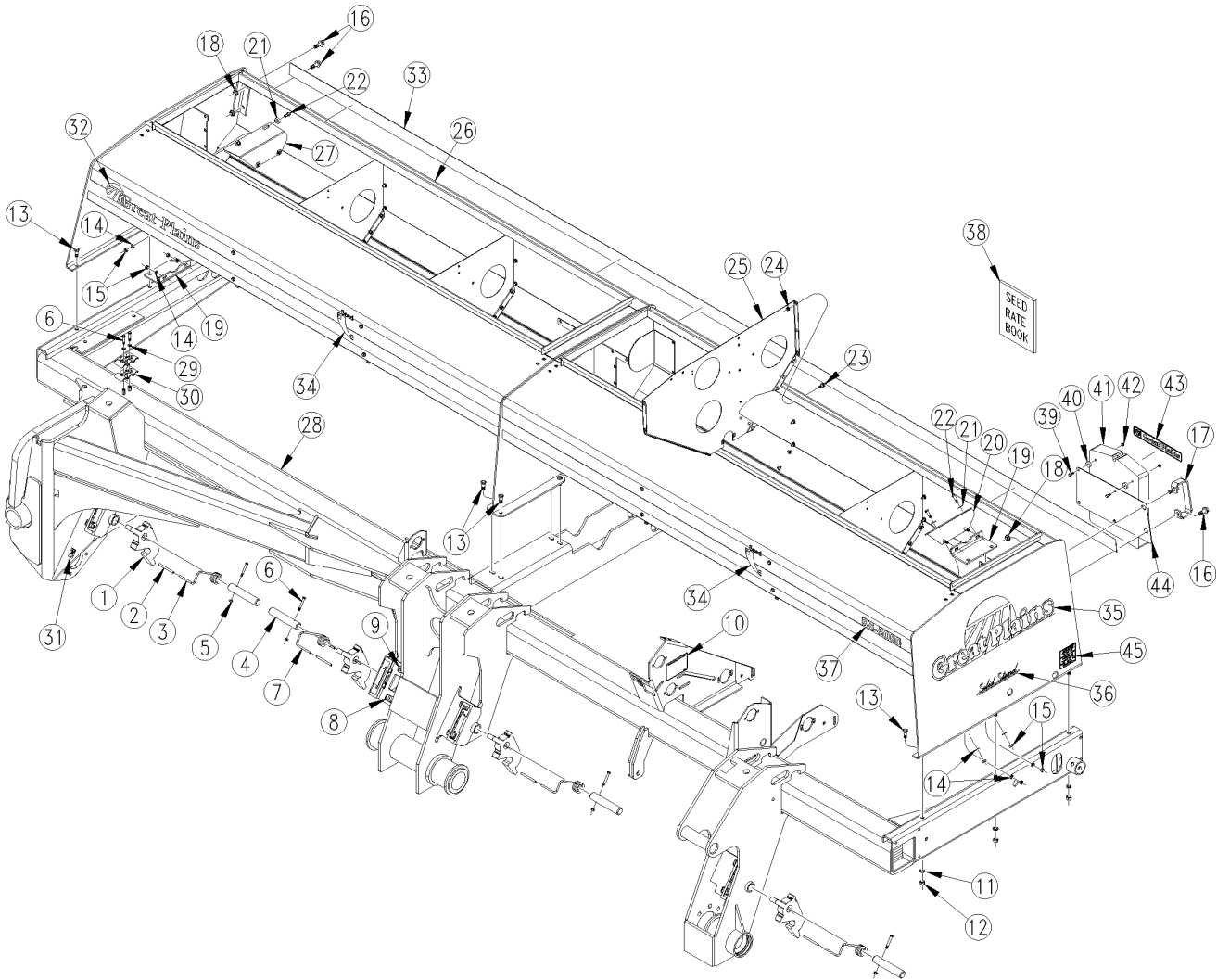
Fertilizer Tray To Box

(Applies to 3S-5000, 3S-5000F, 3S-5000HD, 3S-5000HDF only)

Ref	Part No.	Part Description	Comments	Revision
	dwg34259	Image No.		
1.	802-196C	HFSS 1/4-20X5/8 GR5		
2.	195-389D	5000 HINGE CLAMP STRIP CTR	(SHOWN) Used on Wing Sections only	
2.	195-387D	5000 HINGE CLAMP STRIP END	Used on Center Section only	
2.	195-386D	5000 HINGE CLAMP STRIP CTR	Used on Center Section only	
2.	195-385D	5000 HINGE CLAMP STRIP END	Used on Center Section only	
3.	195-330S	5000 SEED/FERT FLAP SUB ASSY	(SHOWN) Used on Wing Sections only	
3.	195-326S	5000 SEED/FERT FLAP SUB ASSY	Used on Center Section only	
4.	195-204K	5000 RHT FERT TRAY ASSY 6 LH	(SHOWN) Refer to Fertilizer Tray for breakdown	
4.	195-207K	5000 RHT FERT TRAY ASSY 6 RH	Refer to Fertilizer Tray for breakdown	
4.	195-099K	5000 CEN FERT TRAY ASSY 6 LH	Refer to Fertilizer Tray for breakdown	
4.	195-198K	5000 CEN FERT TRAY ASSY 6 RH	Refer to Fertilizer Tray for breakdown	
4.	195-205K	5000 LFT FERT TRAY ASSY 6 LH	Refer to Fertilizer Tray for breakdown	
4.	195-206K	5000 LFT FERT TRAY ASSY 6 RH	Refer to Fertilizer Tray for breakdown	
4.	195-312K	5000 RHT FERT TRAY ASY 7.5 LH	Refer to Fertilizer Tray for breakdown	
4.	195-313K	5000 RHT FERT TRAY ASY 7.5 RH	Refer to Fertilizer Tray for breakdown	
4.	195-210K	5000 CEN FERT TRAY ASY 7.5 LH	Refer to Fertilizer Tray for breakdown	
4.	195-213K	5000 CEN FERT TRAY ASY 7.5 RH	Refer to Fertilizer Tray for breakdown	
4.	195-216K	5000 LFT FERT TRAY ASY 7.5 LH	Refer to Fertilizer Tray for breakdown	
4.	195-304K	5000 LFT FERT TRAY ASY 7.5 RH	Refer to Fertilizer Tray for breakdown	
4.	195-318K	5000 RHT FERT TRAY ASY 10 LH	Refer to Fertilizer Tray for breakdown	
4.	195-319K	5000 RHT FERT TRAY ASY 10 RH	Refer to Fertilizer Tray for breakdown	
4.	195-314K	5000 CEN FERT TRAY ASY 10 LH	Refer to Fertilizer Tray for breakdown	
4.	195-315K	5000 CEN FERT TRAY ASY 10 RH	Refer to Fertilizer Tray for breakdown	
4.	195-316K	5000 LFT FERT TRAY ASY 10 LH	Refer to Fertilizer Tray for breakdown	
4.	195-317K	5000 LFT FERT TRAY ASY 10 RH	Refer to Fertilizer Tray for breakdown	
5.	803-088C	NUT HEX LOCK 1/4-20 FLG		

Left Hand Box and Frame

(Applies to 3S-5000, 3S-5000F, 3S-5000HD, 3S-5000HDF only)



34250

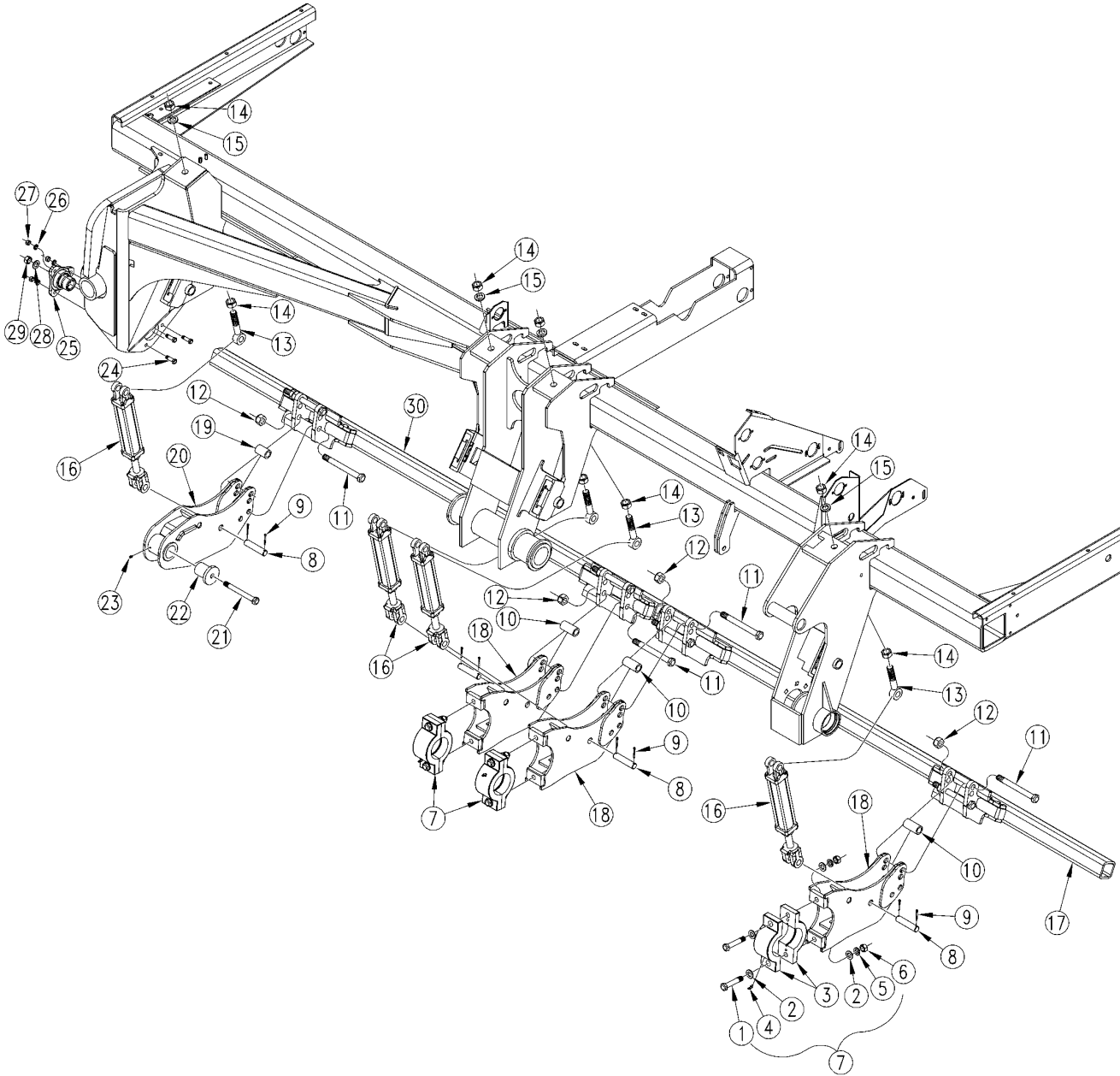
Left Hand Box and Frame

(Applies to 3S-5000, 3S-5000F, 3S-5000HD, 3S-5000HDF only)

Ref	Part No.	Part Description	Comments	Revision
	dwg34250	Image No.		
1.	195-159D	SUBFRAME LOCK HOOK		
2.	816-241C	RUBBER HANDLE GRIP.207IDX3 1/2		
3.	807-160C	TORSION SPRING HANDLE LH		
4.	195-160D	GAUGE WHEEL LOCK PIN		
5.	803-011C	NUT LOCK 5/16-18 PLT		
6.	802-138C	HHCS 5/16-18X2 1/4 GR5		
7.	807-161C	TORSION SPRING HANDLE RH		
8.	818-258C	DECAL TRANSPORT LOCK FIELD		
9.	818-257C	DECAL TRANSPORT LOCK ROAD		
10.	818-708C	DECAL DRIVE TYPE&CHAIN ROUTING		
11.	804-015C	WASHER LOCK SPRING 1/2 PLT		
12.	803-020C	NUT HEX 1/2-13 PLT		
13.	802-034C	HHCS 1/2-13X1 1/4 GR5		
14.	804-013C	WASHER LOCK SPRING 3/8 PLT		
15.	803-014C	NUT HEX 3/8-16 PLT		
16.	802-203C	HFSS 1/2-13X1 1/2 GR5		
17.	119-190D	HANDLE		
18.	803-169C	NUT HEX FLG LOCK 1/2-13 PLT		
19.	148-613D	BOX SUPPORT ANGLE		
20.	195-101D	INTERIOR ENDPANEL COVER LH		
21.	804-011C	WASHER FLAT 3/8 USS PLT		
22.	802-079C	HHCS 3/8-16X1 1/4 GR5		
23.	802-387C	HFS 5/16-18X3/4 GR5		
24.	803-199C	NUT HEX FLANGE 5/16-18 PLT		
25.	195-100D	3S BOX PARTITION		
26.	195-451S	5000 WING SEED BOX ASSEMBLY		
27.	195-102D	INTERIOR ENDPANEL COVER RH		
28.	194-055H	3S-5000 WING FRAME LH		
29.	804-009C	WASHER LOCK SPRING 5/16 PLT		
30.	196-146D	3-HOSE CLAMP BRACKET		
31.	818-349C	DECAL GREASE 10 HRS LH		
32.	848-911C	DECAL GP&LOGO HARVEST/4X24 STR		
33.	838-160C	DECAL 3 COLOR STRIPE 2.50 WIDE		
34.	838-237C	DECAL SEED LEVEL LH		
35.	848-910C	DECAL GP ON LOGO HARVEST LRG		
36.	838-169C	DECAL SCRIPT SOLID STAND LARGE		
37.	848-811C	DECAL, 3S-5000		
38.	195-325B	MANUAL RATE 2S/3S 00&HD DRILL		
39.	802-004C	HHCS 1/4-20X3/4 GR5		
40.	817-042C	MINI END WHEEL PRESS WHEEL		
41.	817-516C	MANUAL PAK 1" W/ GASKET		
42.	803-088C	NUT HEX LOCK 1/4-20 FLG		
43.	838-482C	DECAL GP PLANTING COMPONENTS		
44.	248-251D	MANUAL PAK MOUNTING PLATE		
45.	858-679C	DECAL NOTICE LUBRICATION		

Left Hand Sub-Frame

(Applies to 3S-5000, 3S-5000F, 3S-5000HD, 3S-5000HDF only)



34334

Left Hand Sub-Frame

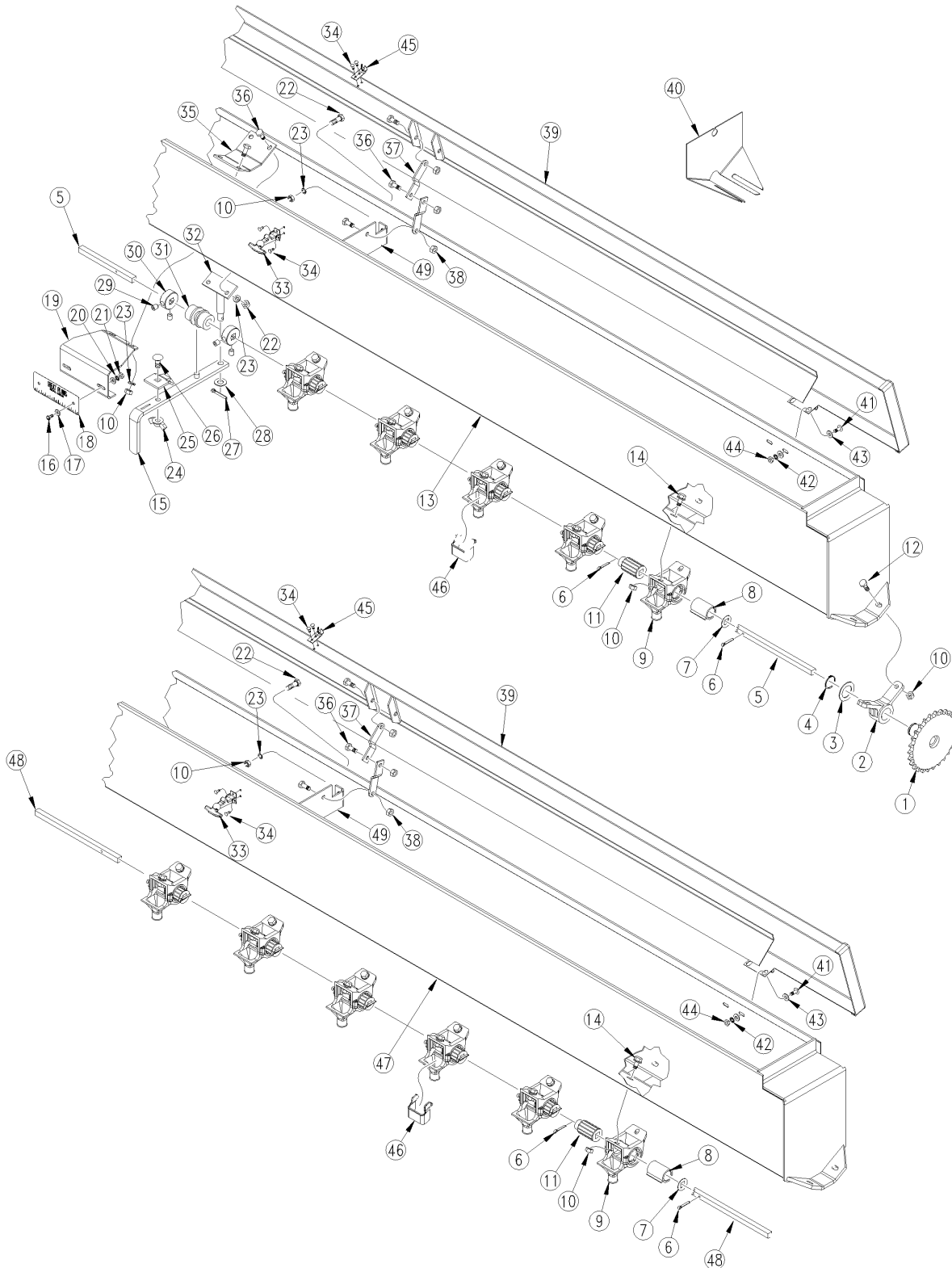
(Applies to 3S-5000, 3S-5000F, 3S-5000HD, 3S-5000HDF only)

Ref	Part No.	Part Description	Comments	Revision
	dwg34334	Image No.		
1.	802-068C	HHCS 3/4-10X4 GR5		
2.	804-025C	WASHER FLAT 3/4 SAE PLT		
3.	180-177D	M.F. G.W. ROCKSHAFT BRG. SM		
4.	800-058C	GREASE ZERK 1/4-28 X 45-DEG		
5.	804-023C	WASHER LOCK SPRING 3/4 PLT		
6.	803-027C	NUT HEX 3/4-10 PLT		
7.	194-123K	3S BRG ASSEMBLY	Includes items: 1-6	
8.	805-236C	PIN CLEVIS 1 X 3 7/8 USBLE PLT		
9.	805-104C	PIN COTTER 3/16 X 1 1/2 PLT		
10.	194-515D	SUBFRAME FLEX ARM SPACER, LONG		
11.	802-662C	HHCS 7/8-9X8 1/2 GR5		
12.	803-028C	NUT NY-LOK 7/8-9 PLT		
13.	194-129H	6 1/8 EYE BOLT		
14.	803-031C	NUT HEX 1-8 PLT		
15.	804-027C	WASHER LOCK SPRING 1 PLT		
16.	810-299C	CYL 2X8X1.12 ROD (TIE ROD)	Refer to hydraulic cylinder (810-299C) for breakdown	
17.	194-043H	3S-5000 SUBFRAME LH OUTER 6 10		
17.	194-038H	3S-5000 SUBFRAME LH OUTER 7.5		
18.	194-155H	SUBFRAME FLEX ARM, OUTER		
19.	194-516D	SUBFRAME FLEX ARM SPACER, SHORT		
20.	194-156H	SUBFRAME FLEX ARM, INNER		
21.	802-095C	HHCS 3/4-10X7 GR5		
22.	195-188H	SUBFRAME ARM RETAINER		
23.	800-001C	GREASE ZERK STRAIGHT 1/4-28		
24.	802-082C	HHCS 1/2-13X1 3/4 GR5		
25.	120-247D	3 BOLT PIVOT CAST W/ BOLT HOLE		
26.	804-015C	WASHER LOCK SPRING 1/2 PLT		
27.	803-020C	NUT HEX 1/2-13 PLT		
28.	804-025C	WASHER FLAT 3/4 SAE PLT		
29.	803-026C	NUT LOCK 3/4-10 PLT		
30.	194-042H	3S-5000 SUBFRAME LH INNER 6 10		
30.	194-039H	3S-5000 SUBFRAME LH INNER 7.5		

Table of Contents Part Number Index

Left Wing Small Seeds Box Components

(Applies to 3S-5000, 3S-5000F, 3S-5000HD, 3S-5000HDF only)



34358

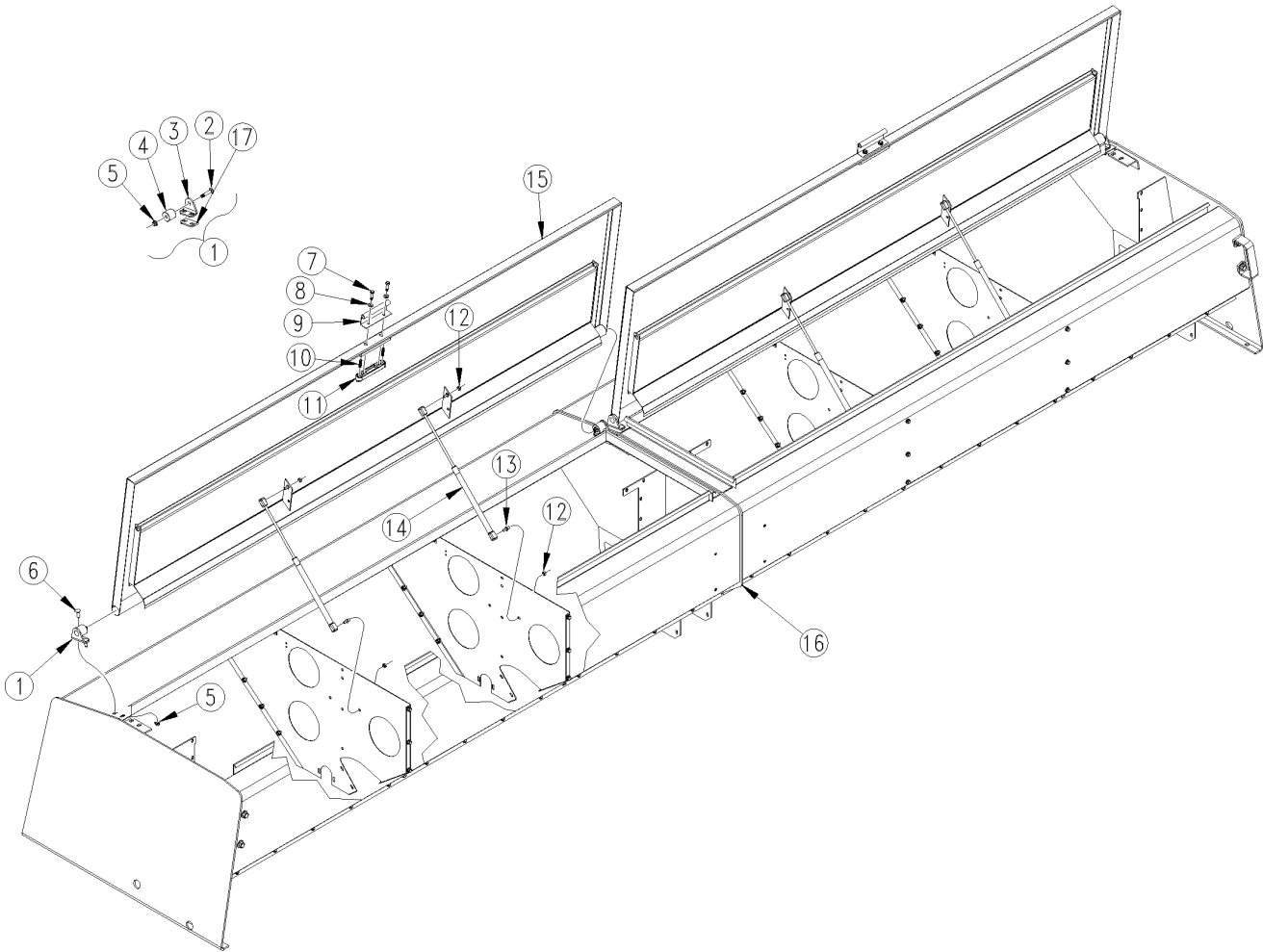
Left Wing Small Seeds Box Components

(Applies to 3S-5000, 3S-5000F, 3S-5000HD, 3S-5000HDF only)

Ref	Part No.	Part Description	Comments	Revision
	dwg34358	Image No.		
1.	123-834H	SML SDS DRIVE SPKT HUB 27T		
2.	817-026C	HANGER DRIVE SHAFT		
3.	804-044C	WASHER MACH 1.38 X .876 X .048		
4.	800-028C	SNAP RING .875		
5.	133-126D	5000 LH SML SDS CUP SHAFT 6"	(SHOWN)	
5.	133-128D	5000 SML SDS CUP SHAFT 7.5"		
5.	133-136D	5000 SML SDS CUP SHAFT 10"		
6.	805-067C	PIN COTTER 1/8 X 3/4		
7.	804-042C	WASHER GRASS SEEDER CUP SHAFT		
8.	817-009C	GRASS SEEDER SLEEVE		
9.	817-504C	SML SEED FEEDER CUP ASSY		
10.	803-006C	NUT HEX 1/4-20 PLT		
11.	817-010C	GRASS SEEDER SPROCKET		
12.	802-004C	HHCS 1/4-20X3/4 GR5		
13.	133-387H	5000 SML SDS BOX 6 IN LH	(SHOWN)	
13.	133-396H	5000 SML SDS BOX 7.5 IN LH		
13.	133-406H	5000 SML SDS BOX 10 IN LH		
14.	802-148C	HFSS 1/4-20X1/2 GR5		
15.	123-476H	REAR SEED RATE ADJ HANDLE WLD		
16.	801-001C	SCREW RD HD 8-32 X 3/8 BRASS		
17.	804-003C	WASHER FLAT #8 BRASS		
18.	819-041C	SEED ADJUSTMENT GUIDE		
19.	123-410D	GAUGE MOUNTING BRACKET		
20.	804-002C	WASHER INTERNAL STAR #8 BRASS		
21.	803-035C	NUT HEX 8-32 BRASS		
22.	803-006C	NUT HEX 1/4-20 PLT		
23.	804-006C	WASHER LOCK SPRING 1/4 PLT		
24.	803-058C	NUT WING 5/16-18		
25.	123-113D	LOCK TAB		
26.	802-092C	RHSNB 5/16-18X3/4 GR5		
27.	805-019C	PIN COTTER 5/32 X 1 PLT		
28.	804-012C	WASHER FLAT 3/8 SAE PLT		
29.	801-035C	SCREW SET 5/16-18 SKT KP X 3/8		
30.	890-349C	3/8 SHAFT LOCKING COLLAR		
31.	123-116D	SEED ADJUSTMENT SPOOL		
32.	123-050H	ADJUSTMENT HANDLE PIVOT		
33.	816-112C	RUBBER LATCH 37-11-065-10		
34.	800-101C	RIVET POP 1/8 .125 AD42BSLF		
35.	123-118D	SEED ADJUSTMENT SUPPORT		
36.	802-078C	HHCS 1/4-20X5/8 GR5		
37.	123-356D	10' EWNT SGS LID LATCH		
38.	803-007C	NUT LOCK 1/4-20 PLT		
39.	133-385H	5000 LH SML SDS LID		
40.	123-409D	RMVBL SMALL SEED BOX PARTITION		
41.	801-003C	SCREW RD HD SLT 10-24X1/2 PLT		
42.	804-004C	WASHER INTERNAL STAR #10 PLT		
43.	804-046C	WASHER FLAT #10 SAE PLT		
44.	803-001C	NUT HEX 10-24 PLT		
45.	816-113C	LATCH KEEPER 37-15-061-17		
46.	817-806C	SMALL SEEDS CUP WIND SHIELD		
47.	133-384H	5000 SML SDS BOX 6 IN LH	(SHOWN)	
47.	133-398H	5000 SML SDS BOX 7.5 IN RH		
47.	133-408H	5000 SML SDS BOX 10 IN RH		
48.	133-116D	5000 SML SDS CUP DRV SHAFT 6"	(SHOWN)	
48.	133-130D	5000 SML SDS CUP DRV SHAFT 7.5		
48.	133-138D	5000 SML SDS CUP DRV SHAFT 10		
49.	133-147D	SGS UPPER BOX PARTITION		

Lid to Box

(Applies to 3S-5000, 3S-5000F, 3S-5000HD, 3S-5000HDF only)



34254

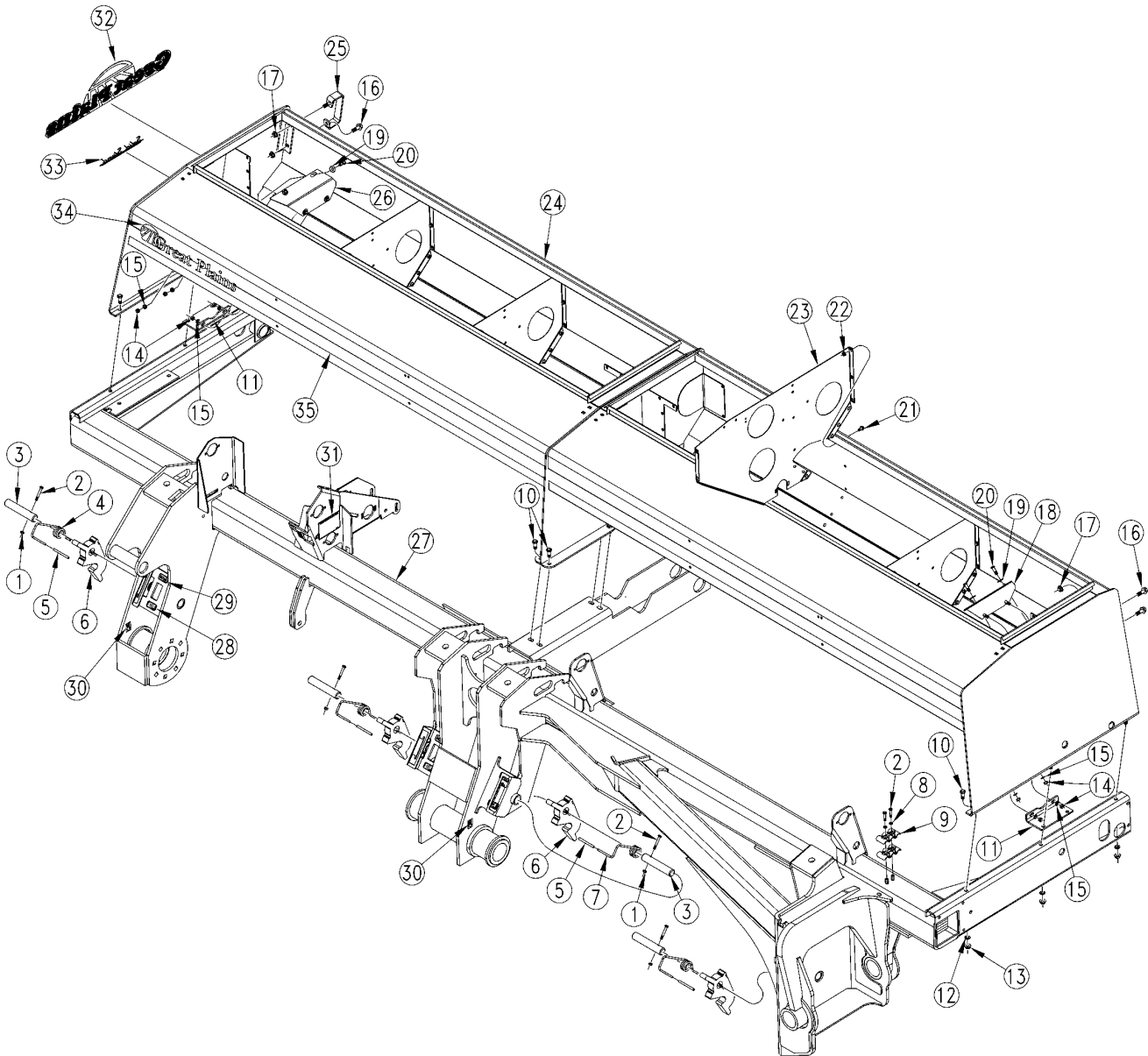
Lid to Box

(Applies to 3S-5000, 3S-5000F, 3S-5000HD, 3S-5000HDF only)

Ref	Part No.	Part Description	Comments	Revision
	dwg34254	Image No.		
1.	175-180S	13' EW LID HINGE ASSEMBLY	INCLUDES ITEMS 2-5 & 17	
2.	802-411C	RHSNB 3/8-16X2 GR5		
3.	313-176D	LID HINGE BASE PLATE		
4.	313-186D	LID HINGE PIVOT		
5.	803-209C	NUT FLANGE LOCK 3/8-16 PLT		
6.	802-015C	RHSNB 3/8-16X1 GR5		
7.	802-425C	HHCS 5/16-18X1 1/4 NYL		
8.	804-036C	WASHER FLAT 5/16 SAE PLT		
9.	119-154D	LID HANDLE		
10.	807-106C	SPRING .540 O.D.X 1 1/4 X.054W		
11.	817-805C	LID LATCH		
12.	803-011C	NUT LOCK 5/16-18 PLT		
13.	800-121C	BALL STUD 10MM X 5/16-18 UNC		
14.	890-221C	12-20 x 90 LB GAS SPRING		
14.	890-308C	9 1/4-15 X 70LB GAS SPRING	Fert. only	
15.	195-435H	3S-5000 17' BOX LID	WING SECTION (SHOWN)	
15.	195-434H	3S-5000 15' BOX LID	CENTER SECTION	
16.	195-451S	5000 WING SEED BOX ASSEMBLY	WING SECTION (SHOWN)	
16.	195-450S	5000 CENTER SEED BOX ASSEMBLY	CENTER SECTION	
17.	816-805C	LID HINGE BASE GASKET		

Right Hand Box and Frame

(Applies to 3S-5000, 3S-5000F, 3S-5000HD, 3S-5000HDF only)



34247

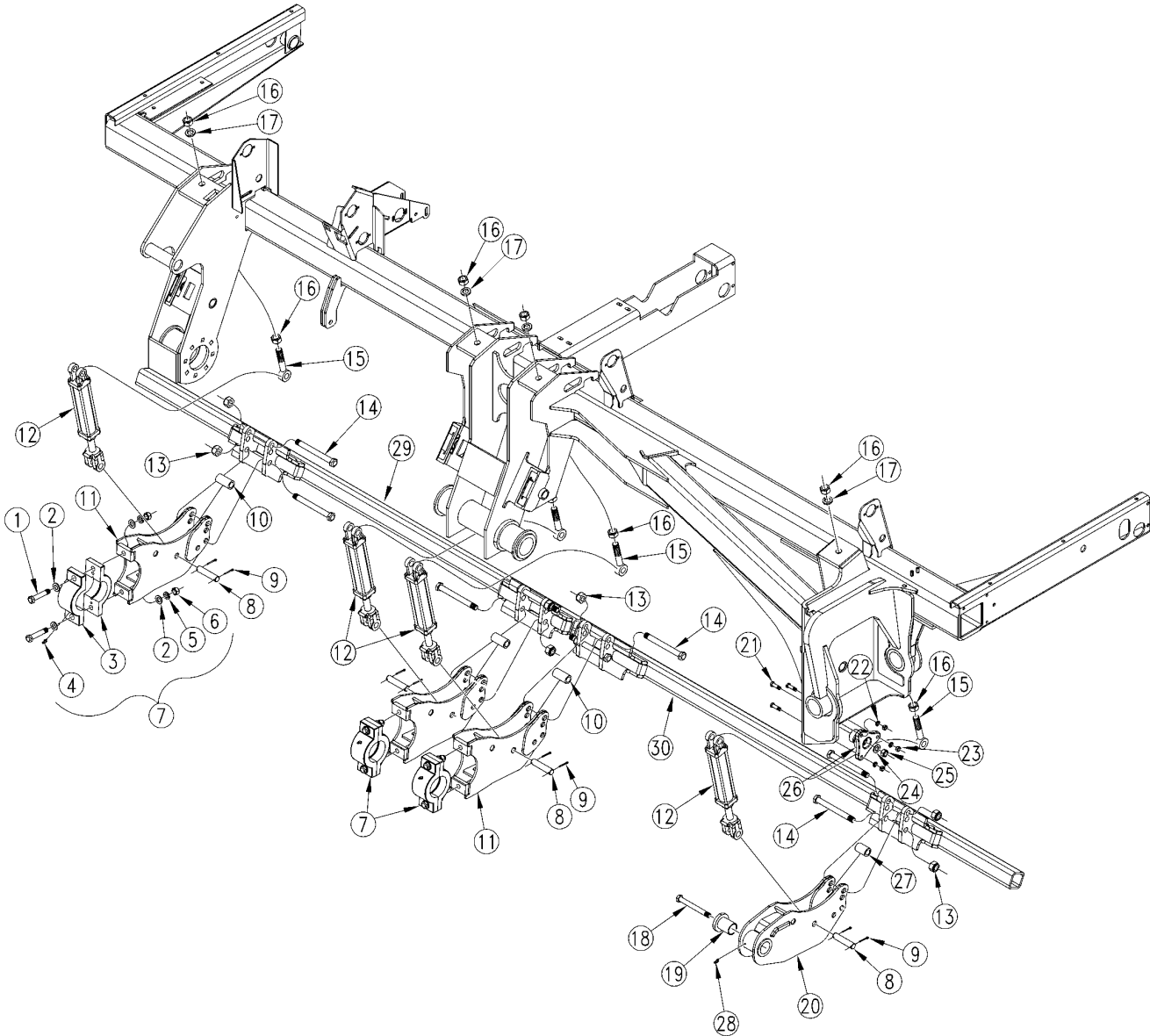
Right Hand Box and Frame

(Applies to 3S-5000, 3S-5000F, 3S-5000HD, 3S-5000HDF only)

Ref	Part No.	Part Description	Comments	Revision
	dwg34247	Image No.		
1.	803-011C	NUT LOCK 5/16-18 PLT		
2.	803-138C	NUT HEX 7/8-18 PLT		
3.	195-160D	GAUGE WHEEL LOCK PIN		
4.	807-161C	TORSION SPRING HANDLE RH		
5.	816-241C	RUBBER HANDLE GRIP.207IDX3 1/2		
6.	195-159D	SUBFRAME LOCK HOOK		
7.	807-160D	***NO DESCRIPTION FOUND***		
8.	804-009C	WASHER LOCK SPRING 5/16 PLT		
9.	196-146D	3-HOSE CLAMP BRACKET		
10.	802-034C	HHCS 1/2-13X1 1/4 GR5		
11.	148-613D	BOX SUPPORT ANGLE		
12.	804-015C	WASHER LOCK SPRING 1/2 PLT		
13.	803-169C	NUT HEX FLG LOCK 1/2-13 PLT		
14.	803-014C	NUT HEX 3/8-16 PLT		
15.	804-013C	WASHER LOCK SPRING 3/8 PLT		
16.	802-203C	HFSS 1/2-13X1 1/2 GR5		
17.	803-169C	NUT HEX FLG LOCK 1/2-13 PLT		
18.	195-101D	INTERIOR ENDPANEL COVER LH		
19.	804-011C	WASHER FLAT 3/8 USS PLT		
20.	802-079C	HHCS 3/8-16X1 1/4 GR5		
21.	802-387C	HFS 5/16-18X3/4 GR5		
22.	803-199C	NUT HEX FLANGE 5/16-18 PLT		
23.	195-100D	3S BOX PARTITION		
24.	195-451S	5000 WING SEED BOX ASSEMBLY		
25.	119-190D	HANDLE		
26.	195-102D	INTERIOR ENDPANEL COVER RH		
27.	194-053H	3S-5000 RH WING FRAME		
28.	818-258C	DECAL TRANSPORT LOCK FIELD		
29.	818-257C	DECAL TRANSPORT LOCK ROAD		
30.	818-402C	DECAL GREASE 10 HRS RH		
31.	818-708C	DECAL DRIVE TYPE&CHAIN ROUTING		
32.	848-910C	DECAL GP ON LOGO HARVEST LRG		
33.	838-169C	DECAL SCRIPT SOLID STAND LARGE		
34.	848-911C	DECAL GP&LOGO HARVEST/4X24 STR		
35.	838-160C	DECAL 3 COLOR STRIPE 2.50 WIDE		

Right Hand Sub-Frame

(Applies to 3S-5000, 3S-5000F, 3S-5000HD, 3S-5000HDF only)



34315

Right Hand Sub-Frame

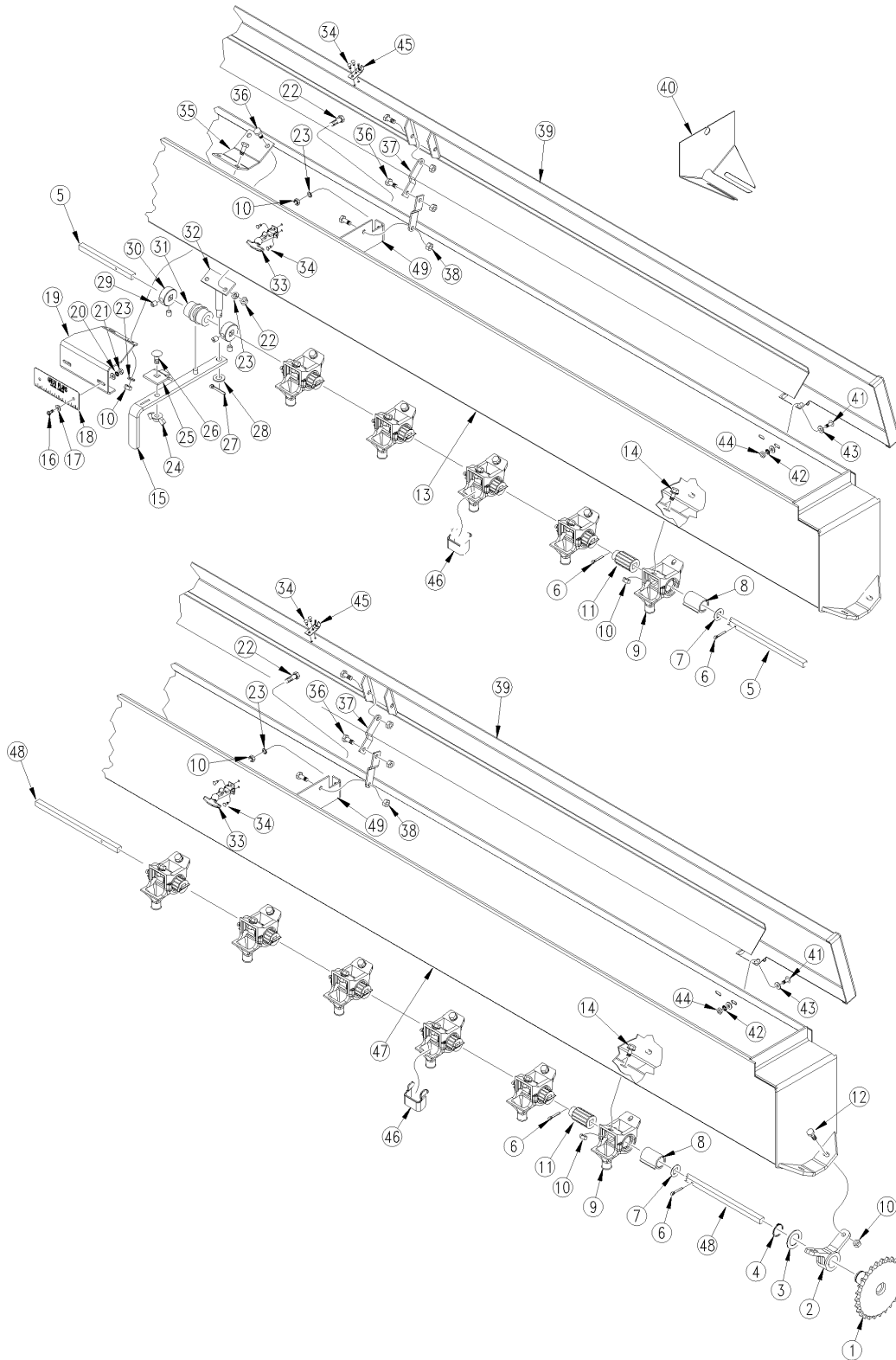
(Applies to 3S-5000, 3S-5000F, 3S-5000HD, 3S-5000HDF only)

Ref	Part No.	Part Description	Comments	Revision
	dwg34315	Image No.		
1.	802-068C	HHCS 3/4-10X4 GR5		
2.	804-025C	WASHER FLAT 3/4 SAE PLT		
3.	180-177D	M.F. G.W. ROCKSHAFT BRG. SM		
4.	800-058C	GREASE ZERK 1/4-28 X 45-DEG		
5.	804-023C	WASHER LOCK SPRING 3/4 PLT		
6.	803-027C	NUT HEX 3/4-10 PLT		
7.	194-123K	3S BRG ASSEMBLY	Includes items: 1-6	
8.	805-236C	PIN CLEVIS 1 X 3 7/8 USBLE PLT		
9.	805-104C	PIN COTTER 3/16 X 1 1/2 PLT		
10.	194-515D	SUBFRAME FLEX ARM SPACER, LONG		
11.	194-155H	SUBFRAME FLEX ARM, OUTER		
12.	810-299C	CYL 2X8X1.12 ROD (TIE ROD)	Refer to hydraulic cylinder (810-299C) for breakdown	
13.	803-028C	NUT NY-LOK 7/8-9 PLT		
14.	802-662C	HHCS 7/8-9X8 1/2 GR5		
15.	194-129H	6 1/8 EYE BOLT		
16.	803-031C	NUT HEX 1-8 PLT		
17.	804-027C	WASHER LOCK SPRING 1 PLT		
18.	802-095C	HHCS 3/4-10X7 GR5		
19.	195-188H	SUBFRAME ARM RETAINER		
20.	194-156H	SUBFRAME FLEX ARM, INNER		
21.	802-128C	HHCS 1/2-13X2 GR5		
22.	804-015C	WASHER LOCK SPRING 1/2 PLT		
23.	803-020C	NUT HEX 1/2-13 PLT		
24.	804-025C	WASHER FLAT 3/4 SAE PLT		
25.	803-026C	NUT LOCK 3/4-10 PLT		
26.	120-247D	3 BOLT PIVOT CAST W/ BOLT HOLE		
27.	194-516D	SUBFRAME FLEX ARM SPACER,SHORT		
28.	800-001C	GREASE ZERK STRAIGHT 1/4-28		
29.	194-044H	3S-5000 SUBFRAME RH INNER 6 10	(SHOWN)	
29.	194-041H	3S-5000 SUBFRAME RH INNER 7.5		
30.	194-045H	3S-5000 SUBFRAME RH OUTER 6 10	(SHOWN)	
30.	194-040H	3S-5000 SUBFRAME RH OUTER 7.5		

Table of Contents Part Number Index

Right Wing Small Seeds Box Components

(Applies to 3S-5000, 3S-5000F, 3S-5000HD, 3S-5000HDF only)



34361

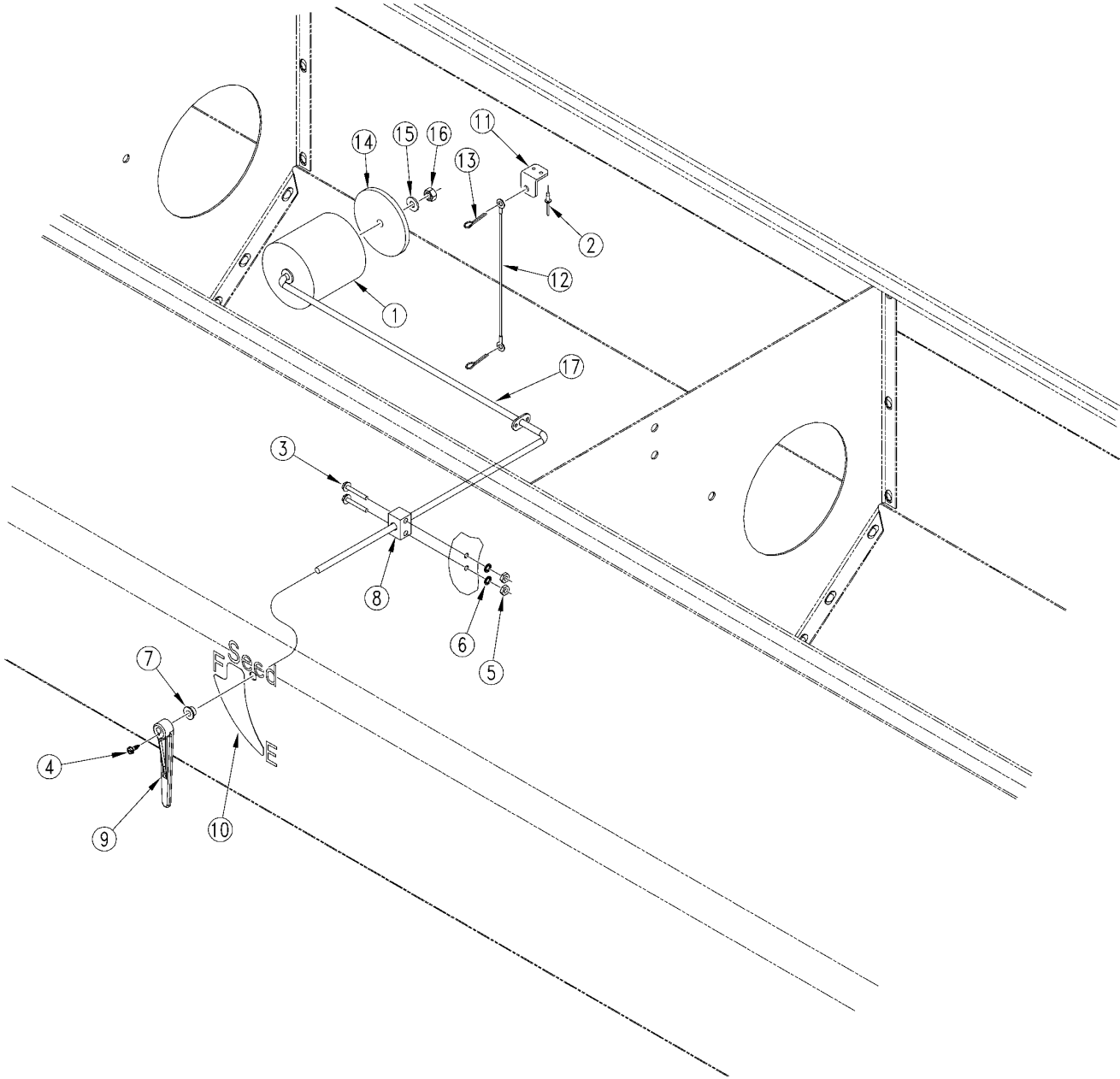
Right Wing Small Seeds Box Components

(Applies to 3S-5000, 3S-5000F, 3S-5000HD, 3S-5000HDF only)

Ref	Part No.	Part Description	Comments	Revision
	dwg34361	Image No.		
1.	123-834H	SML SDS DRIVE SPKT HUB 27T		
2.	817-026C	HANGER DRIVE SHAFT		
3.	804-044C	WASHER MACH 1.38 X .876 X .048		
4.	800-028C	SNAP RING .875		
5.	133-118D	5000 SML SDS CUP SHAFT 6"	Shown	
5.	133-128D	5000 SML SDS CUP SHAFT 7.5"		
5.	133-136D	5000 SML SDS CUP SHAFT 10"		
6.	805-067C	PIN COTTER 1/8 X 3/4		
7.	804-042C	WASHER GRASS SEEDER CUP SHAFT		
8.	817-009C	GRASS SEEDER SLEEVE		
9.	817-504C	SML SEED FEEDER CUP ASSY		
10.	803-006C	NUT HEX 1/4-20 PLT		
11.	817-010C	GRASS SEEDER SPROCKET		
12.	802-004C	HHCS 1/4-20X3/4 GR5		
13.	133-387H	5000 SML SDS BOX 6 IN LH	Shown	
13.	133-396H	5000 SML SDS BOX 7.5 IN LH		
13.	133-406H	5000 SML SDS BOX 10 IN LH		
14.	802-148C	HFSS 1/4-20X1/2 GR5		
15.	123-476H	REAR SEED RATE ADJ HANDLE WLD		
16.	801-001C	SCREW RD HD 8-32 X 3/8 BRASS		
17.	804-003C	WASHER FLAT #8 BRASS		
18.	819-041C	SEED ADJUSTMENT GUIDE		
19.	123-410D	GAUGE MOUNTING BRACKET		
20.	804-002C	WASHER INTERNAL STAR #8 BRASS		
21.	803-035C	NUT HEX 8-32 BRASS		
22.	803-006C	NUT HEX 1/4-20 PLT		
23.	804-006C	WASHER LOCK SPRING 1/4 PLT		
24.	803-058C	NUT WING 5/16-18		
25.	123-113D	LOCK TAB		
26.	802-092C	RHSNB 5/16-18X3/4 GR5		
27.	805-019C	PIN COTTER 5/32 X 1 PLT		
28.	804-012C	WASHER FLAT 3/8 SAE PLT		
29.	801-035C	SCREW SET 5/16-18 SKT KP X 3/8		
30.	890-349C	3/8 SHAFT LOCKING COLLAR		
31.	123-116D	SEED ADJUSTMENT SPOOL		
32.	123-050H	ADJUSTMENT HANDLE PIVOT		
33.	816-112C	RUBBER LATCH 37-11-065-10		
34.	800-101C	RIVET POP 1/8 .125 AD42BSLF		
35.	123-118D	SEED ADJUSTMENT SUPPORT		
36.	802-078C	HHCS 1/4-20X5/8 GR5		
37.	123-356D	10' EWNT SGS LID LATCH		
38.	803-007C	NUT LOCK 1/4-20 PLT		
39.	133-385H	5000 LH SML SDS LID		
40.	123-409D	RMVBL SMALL SEED BOX PARTITION		
41.	801-003C	SCREW RD HD SLT 10-24X1/2 PLT		
42.	804-004C	WASHER INTERNAL STAR #10 PLT		
43.	804-046C	WASHER FLAT #10 SAE PLT		
44.	803-001C	NUT HEX 10-24 PLT		
45.	816-113C	LATCH KEEPER 37-15-061-17		
46.	817-806C	SMALL SEEDS CUP WIND SHIELD		
47.	133-384H	5000 SML SDS BOX 6 IN LH	Shown	
47.	133-398H	5000 SML SDS BOX 7.5 IN RH		
47.	133-408H	5000 SML SDS BOX 10 IN RH		
48.	133-116D	5000 SML SDS CUP DRV SHAFT 6"	Shown	
48.	133-130D	5000 SML SDS CUP DRV SHAFT 7.5		
48.	133-138D	5000 SML SDS CUP DRV SHAFT 10		
49.	133-147D	SGS UPPER BOX PARTITION		

Seed Level Indicator

(Applies to 3S-5000, 3S-5000F, 3S-5000HD, 3S-5000HDF only)



18807

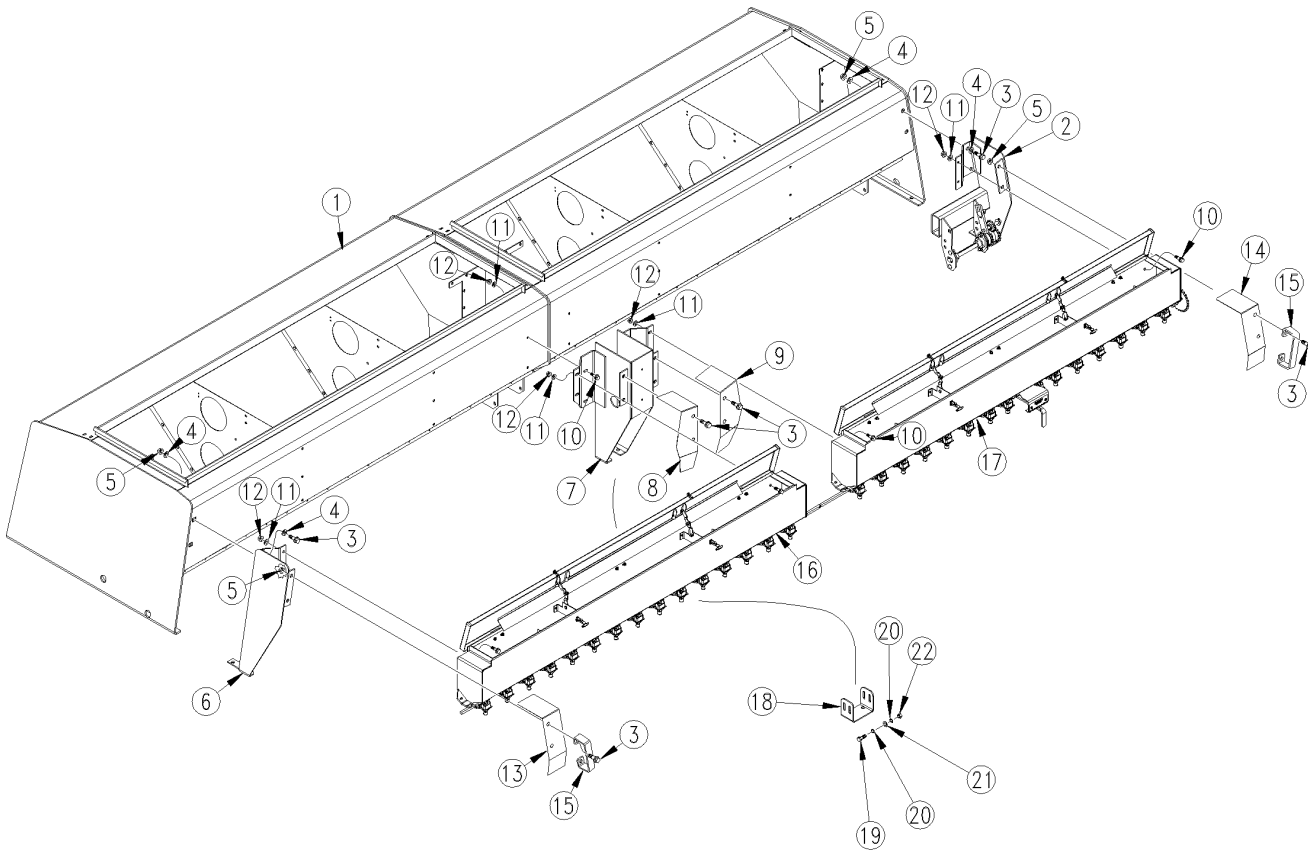
Seed Level Indicator

(Applies to 3S-5000, 3S-5000F, 3S-5000HD, 3S-5000HDF only)

Ref	Part No.	Part Description	Comments	Revision
	dwg18807	Image No.		
1.	197-089D	FOAM FLOAT		
2.	800-101C	RIVET POP 1/8X.265LG FLG		
3.	801-096C	HFS 10-24 X 1 1/8 PLTD		
4.	801-154C	SCR HEX HD SHT MET #8 X 1/2		
5.	803-001C	NUT HEX 10-24 PLT		
6.	804-004C	WASHER INTERNAL STAR #10 PLT		
7.	817-086C	SEED LEVEL BUSHING		
8.	817-202C	SEED LEVEL ARM MOUNT		
9.	817-350C	SEED LEVEL INDICATOR		
10.	838-237C	DECAL SEED LEVEL LH		
11.	197-091D	SEED LEVEL CHAIN BRACKET		
12.	890-305C	CABLE 3/64 X 11 5/8 W/ EYELETS		
13.	805-067C	PIN COTTER 1/8 X 3/4		
14.	197-096D	FOAM FLOAT WASHER		
15.	804-075C	WASHER FLAT 1/4 USS PLT		
16.	803-003C	.00 HEX SS 1/4-20 NYLOCK		
17.	195-124H	3S SEED LEVEL ROD		

Small Seeds Box Mounting

(Applies to 3S-5000, 3S-5000F, 3S-5000HD, 3S-5000HDF only)



34364

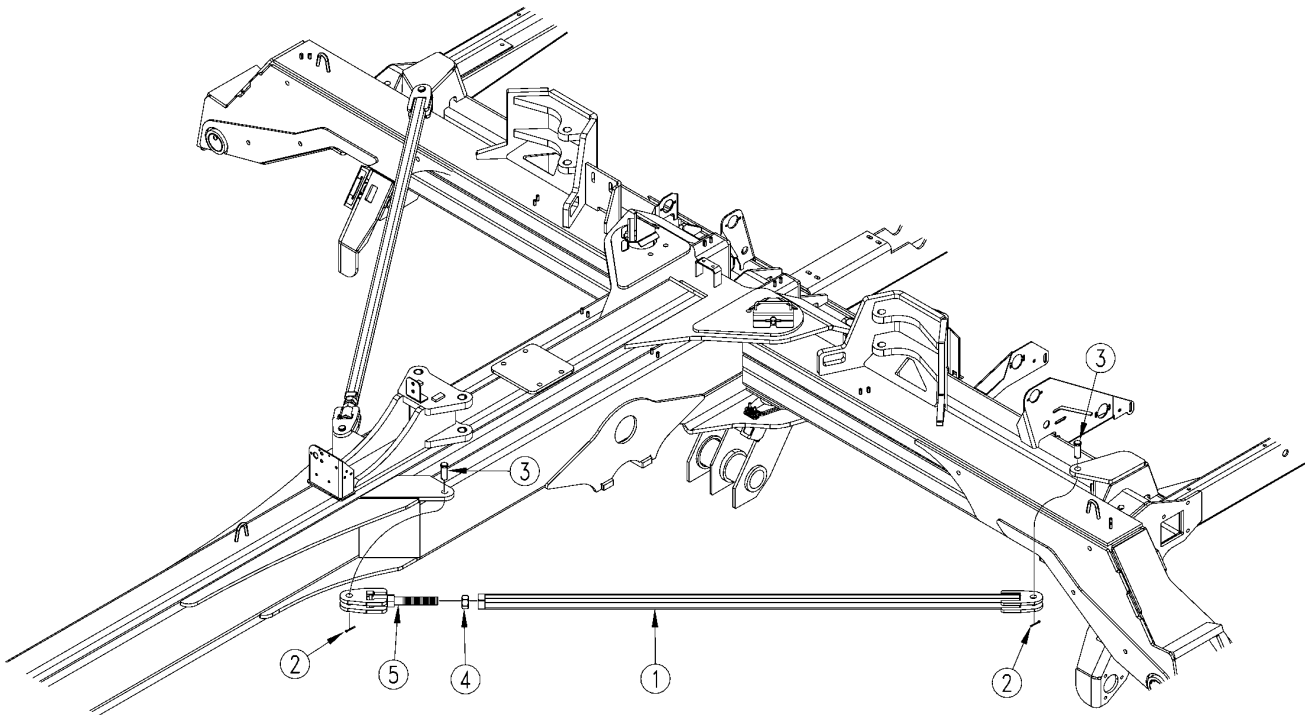
Small Seeds Box Mounting

(Applies to 3S-5000, 3S-5000F, 3S-5000HD, 3S-5000HDF only)

Ref	Part No.	Part Description	Comments	Revision
	dwg34364	Image No.		
1.	195-450S	5000 CENTER SEED BOX ASSEMBLY	(SHOWN)	
1.	195-451S	5000 WING SEED BOX ASSEMBLY		
2.	133-381K	5000 SMLS DS RH MOUNT&DRIVE ASY	Refer to Small Seeds to Drive for breakdown	
3.	802-203C	HFSS 1/2-13X1 1/2 GR5		
4.	804-016C	WASHER FLAT 1/2 SAE PLT		
5.	803-021C	NUT HEX 5/8-11 PLT		
6.	133-380H	SML SDS LH MOUNT WLDM		
7.	133-379H	SML SDS CTR MOUNT WLDM		
8.	123-492D	HANDLE MOUNT RH CHAIN GUARD		
9.	123-491D	HANDLE MOUNT LH CHAIN GUARD		
10.	802-388C	HFS 3/8-16X1 GR5		
11.	804-013C	WASHER LOCK SPRING 3/8 PLT		
12.	803-014C	NUT HEX 3/8-16 PLT		
13.	123-021D	HANDLE MOUNT LH GAURD		
14.	123-020D	HANDLE MOUNT RH GAURD		
15.	119-190D	HANDLE		
16.	133-386K	5000 SML SDS RH BOX ASY 6 IN	Right Wing Left Hand Side	
16.	133-388K	5000 SML SDS CTR BOX ASY 6 IN	(SHOWN) Center Section Left Hand Side	
16.	133-393K	5000 SML SDS LH BOX ASY 6 IN	Left Wing Left Hand Side	
16.	133-395K	5000 SML SDS LH BOX ASY 7.5 IN	Right Wing Left Hand Side	
16.	133-399K	5000 SML SDS CTR BOX ASY 7.5IN	Center Section Left Hand Side	
16.	133-403K	5000 SML SDS RH BOX ASY 7.5 IN	Left Wing Left Hand Side	
16.	133-405K	5000 SML SDS LH BOX ASY 10 IN	Right Wing Left Hand Side	
16.	133-409K	5000 SML SDS CTR BOX ASY 10 IN	Center Section Left Hand Side	
16.	133-413K	5000 SML SDS RH BOX ASY 10 IN	Left Wing Left Hand Side	
17.	133-383K	5000 SML SDS RH BOX ASY 6 IN	Right Wing Right Hand Side	
17.	133-391K	5000 SML SDS CTR BOX ASY 6 IN	(SHOWN) Center Section Right Hand Side	
17.	133-394K	5000 SML SDS LH BOX ASY 6 IN	Left Wing Right Hand Side	
17.	133-397K	5000 SML SDS RH BOX ASY 7.5 IN	Right Wing Right Hand Side	
17.	133-401K	5000 SML SDS CTR BOX ASY 7.5IN	Center Section Right Hand Side	
17.	133-404K	5000 SML SDS RH BOX ASY 7.5 IN	Left Wing Right Hand Side	
17.	133-407K	5000 SML SDS RH BOX ASY 10 IN	Right Wing Right Hand Side	
17.	133-411K	5000 SML SDS CTR BOX ASY 10 IN	Center Section Right Hand Side	
17.	133-414K	5000 SML SDS RH BOX ASY 10 IN	Left Wing Right Hand Side	
18.	133-146D	SML SDS CTR MOUNT BRKT		
19.	802-017C	HHCS 3/8-16X1 GR5		
20.	804-013C	WASHER LOCK SPRING 3/8 PLT		
21.	804-011C	WASHER FLAT 3/8 USS PLT		
22.	803-014C	NUT HEX 3/8-16 PLT		

Truss Tubes

(Applies to 3S-5000, 3S-5000F, 3S-5000HD, 3S-5000HDF only)



34311

Truss Tubes

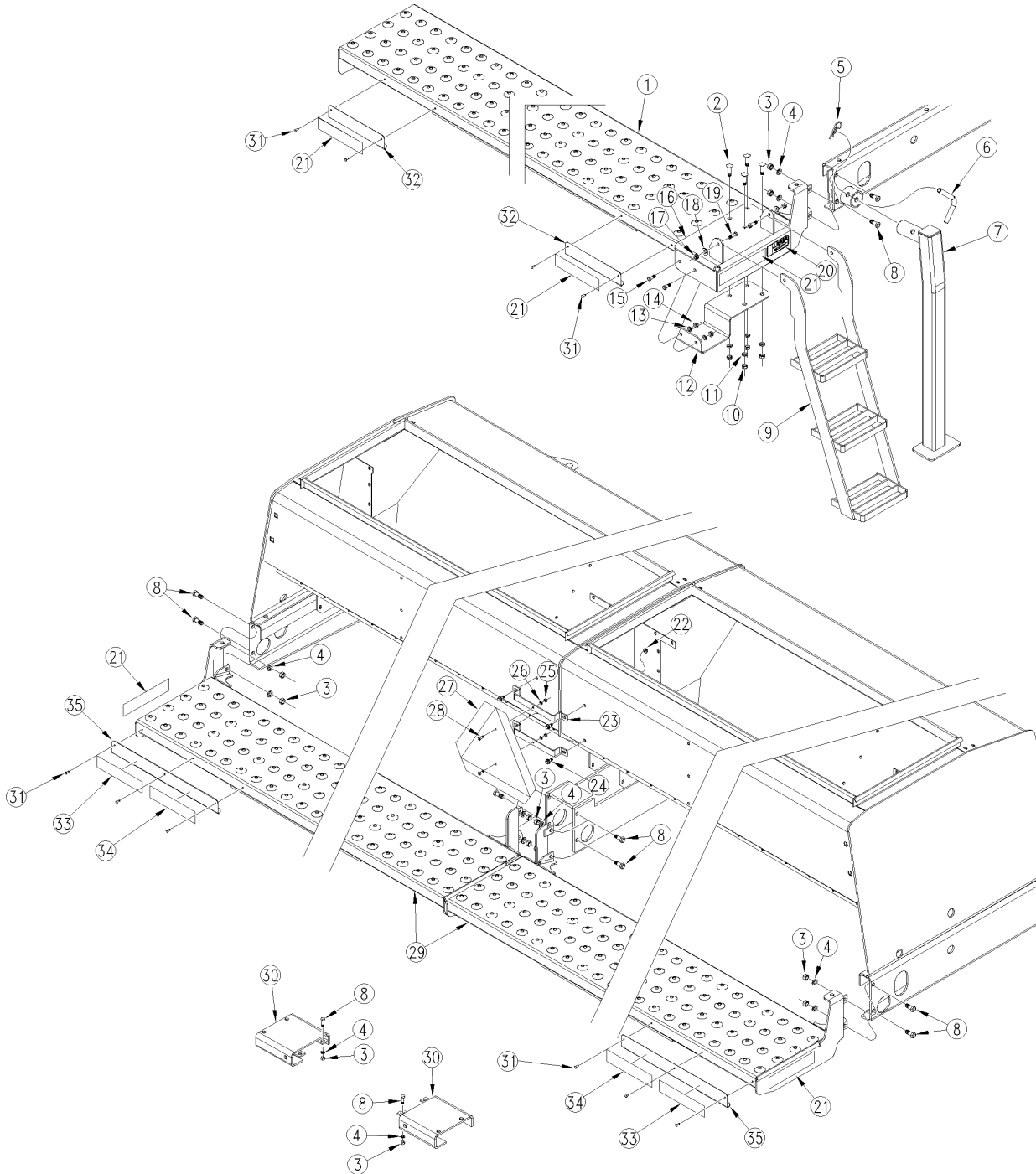
(Applies to 3S-5000, 3S-5000F, 3S-5000HD, 3S-5000HDF only)

Ref	Part No.	Part Description	Comments	Revision
	dwg34311	Image No.		
1.	194-057H	3S-5000 TRUSS TUBE WELDMENT		
2.	805-104C	PIN COTTER 3/16 X 1 1/2 PLT		
3.	805-187C	PIN CLEVIS 1 X 2 1/4 GR5 PLT		
4.	803-034C	NUT HEX 1 1/4-7 PLT		
5.	194-191H	3S-4000 TRUSS ADJ TRUNNION		

Table of Contents Part Number Index

Walkboards and Steps

(Applies to 3S-5000, 3S-5000F, 3S-5000HD, 3S-5000HDF only)



34306

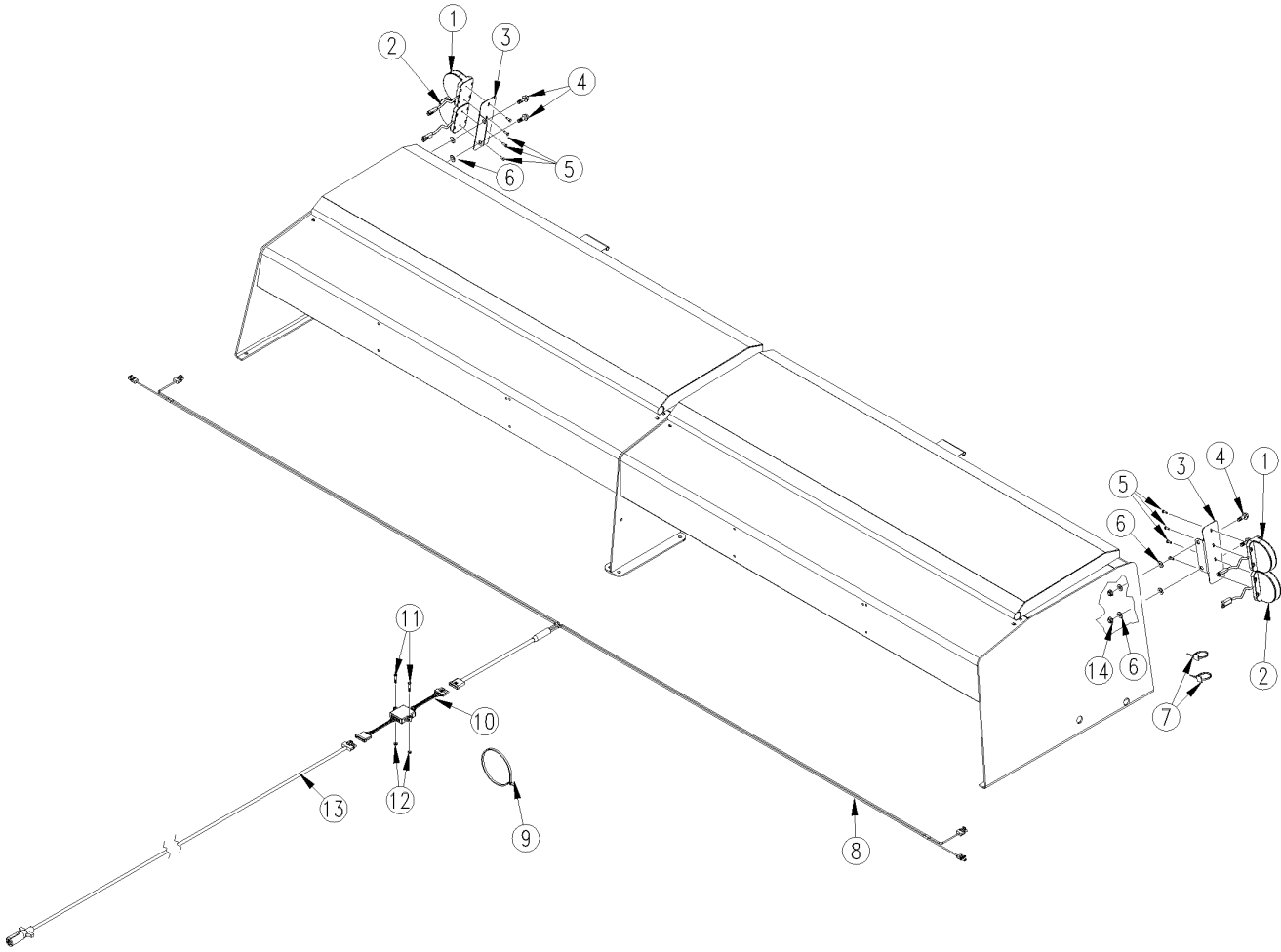
Walkboards and Steps

(Applies to 3S-5000, 3S-5000F, 3S-5000HD, 3S-5000HDF only)

Ref	Part No.	Part Description	Comments	Revision
	dwg34306	Image No.		
1.	195-337H	3S-5000 WING WALKBOARD RH		
1.	195-336H	3S-5000 WING WALKBOARD LH		
2.	802-030C	RHSNB 7/16-14X1 3/4 GR5		
3.	803-020C	NUT HEX 1/2-13 PLT		
4.	804-015C	WASHER LOCK SPRING 1/2 PLT		
5.	805-032C	PIN HAIR COTTER .148 WIRE		
6.	805-197C	PIN BENT SHANK LOCK 5/8 OD		
7.	194-135H	PARKING STAND LEG		
8.	802-034C	HHCS 1/2-13X1 1/4 GR5		
9.	195-062H	LADDER WELDMENT 3-STEP NARROW		
10.	803-015C	NUT HEX 7/16-14 PLT		
11.	804-014C	WASHER LOCK 7/16 PLT		
12.	195-340D	LADDER MOUNT BOTTOM PLATE		
13.	804-013C	WASHER LOCK SPRING 3/8 PLT		
14.	803-068C	NUT HEX FLANGE 3/8-16 PLT		
15.	802-017C	HHCS 3/8-16X1 GR5		
16.	195-342D	LADDER MOUNT TOP PLATE RH	(SHOWN)	
16.	195-339D	LADDER MOUNT TOP PLATE LH		
17.	803-209C	NUT FLANGE LOCK 3/8-16 PLT		
18.	804-016C	WASHER FLAT 1/2 SAE PLT		
19.	802-079C	HHCS 3/8-16X1 1/4 GR5		
20.	838-102C	DECAL WARNING FALLING HAZARD		
21.	838-265C	DECAL REFLECTOR AMBER 2X9		
22.	803-199C	NUT HEX FLANGE 5/16-18 PLT		
23.	195-420D	DECAL BRACKET		
24.	802-387C	HFS 5/16-18X3/4 GR5		
25.	803-006C	NUT HEX 1/4-20 PLT		
26.	804-006C	WASHER LOCK SPRING 1/4 PLT		
27.	818-055C	DECAL SLOW MOVING-GALV. BACKED		
28.	802-004C	HHCS 1/4-20X3/4 GR5		
29.	195-334H	3S-5000 CENTER WALKBOARD LH		
29.	195-335H	3S-5000 CENTER WALKBOARD RH		
30.	195-310H	WALKBOARD EXTENSION LH	LH used with small seed only	
30.	195-311H	WALKBOARD EXTENSION RH	RH used with small seed only	
31.	800-219C	RIVET POP 3/16 .126-.250	(S/N C1205L+)	
32.	195-558D	11 X 2.4 14 GA 1 DECAL BRACKET	(S/N C1205L+)	
33.	838-266C	DECAL REFLECTOR RED 2X9		
34.	838-267C	DECAL REFLECTOR DAYTIME 2X9		
35.	195-557D	21 X 2.4 14 GA 2 DECAL BRACKET	(S/N C1205L+)	

LED Lights (S/N C1142L - C1304L)

(Applies to 3S-5000, 3S-5000F, 3S-5000HD, 3S-5000HDF only)



38282

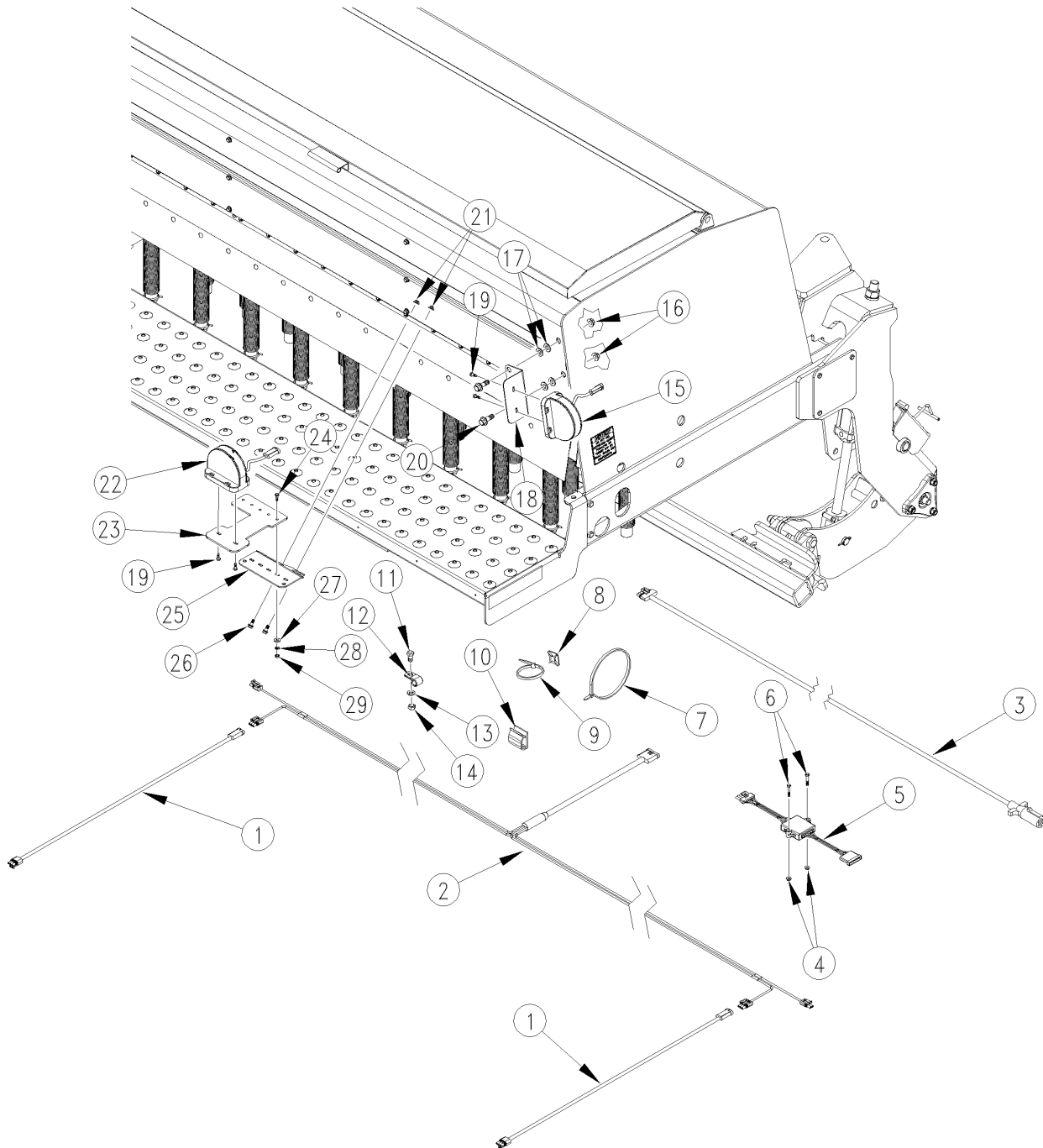
LED Lights (S/N C1142L - C1304L)

(Applies to 3S-5000, 3S-5000F, 3S-5000HD, 3S-5000HDF only)

Ref	Part No.	Part Description	Comments	Revision
	dwg38282	Image No.		
1.	833-697C	LIGHT, AMBER LAMP LED		
2.	833-696C	LIGHT, RED LAMP - LED		
3.	802-203C	HFSS 1/2-13X1 1/2 GR5		
4.	195-417D	15' 3SMT LIGHT BRACKET		
5.	801-081C	SCREW HEX SELF TAP 1/4-20X3/4		
6.	804-016C	WASHER FLAT 1/2 SAE PLT		
7.	800-148C	CABLE TIE MOUNT		
8.	833-690C	LIGHT HARNESS 15' WISHBONE LED		
9.	800-082C	CABLE TIE .31X21.5 6DIA 120LB		
10.	833-694C	LIGHT HRNSS ENHANCE MODULE LED		
11.	802-167C	HHCS 1/4-20X1 1/2 GR5		
12.	803-230C	NUT HEX FLANGE 1/4-20 PLT		
13.	833-729C	LIGHT HARNESS, 40' LEAD - LED		
14.	803-169C	NUT HEX FLG LOCK 1/2-13 PLT		

LED Lights (S/N C1305L+)

(Applies to 3S-5000, 3S-5000F, 3S-5000HD, 3S-5000HDF only)



68377

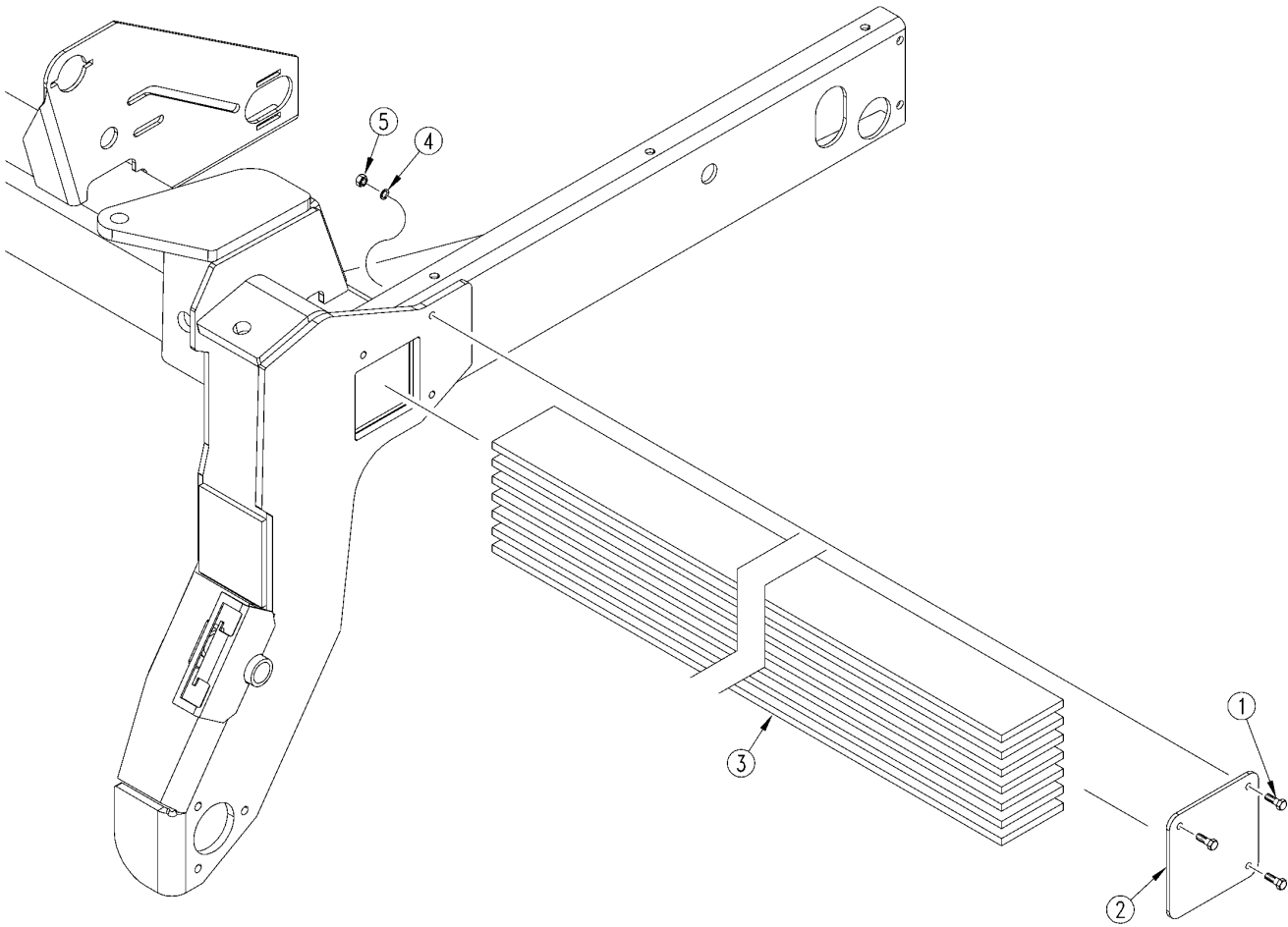
LED Lights (S/N C1305L+)

(Applies to 3S-5000, 3S-5000F, 3S-5000HD, 3S-5000HDF only)

Ref	Part No.	Part Description	Comments	Revision
	dwg68377	Image No.		
1.	843-004C	HARNESS EXT 3FT 3 PIN WP		
2.	833-690C	LIGHT HARNESS 15' WISHBONE LED		
3.	833-729C	LIGHT HARNESS, 40' LEAD - LED		
4.	803-230C	NUT HEX FLANGE 1/4-20 PLT		
5.	833-694C	LIGHT HRNSS ENHANCE MODULE LED		
6.	802-167C	HHCS 1/4-20X1 1/2 GR5		
7.	800-082C	CABLE TIE .31X21.5 6DIA 120LB		
8.	800-148C	CABLE TIE MOUNT		
9.	800-112C	CABLE TIE .19X7.25 1.75D 50LB		
10.	891-836C	ADHESIVE BACK CORD CLIP		
11.	802-014C	HHCS 3/8-16X3/4 GR5		
12.	800-497C	HOSE CLIP 1/2 ID		
13.	804-013C	WASHER LOCK SPRING 3/8 PLT		
14.	803-014C	NUT HEX 3/8-16 PLT		
15.	833-697C	LIGHT, AMBER LAMP LED		
16.	803-169C	NUT HEX FLG LOCK 1/2-13 PLT		
17.	804-016C	WASHER FLAT 1/2 SAE PLT		
18.	195-559D	3 SEC MIN TILL LIGHT BRACKET		
19.	801-081C	SCREW HEX SELF TAP 1/4-20X3/4		
20.	802-203C	HFSS 1/2-13X1 1/2 GR5		
21.	803-088C	NUT HEX LOCK 1/4-20 FLG		
22.	833-696C	LIGHT, RED LAMP - LED		
23.	171-059D	3/16 LIGHT PLATE MIN TILL	Only used with Small Seeds attachment.	
24.	802-004C	HHCS 1/4-20X3/4 GR5		
25.	171-057D	140 DEGREE 10 GA LIGHT BRACKET		
26.	802-387C	HFS 5/16-18X3/4 GR5		
27.	804-075C	WASHER FLAT 1/4 USS PLT		
28.	804-006C	WASHER LOCK SPRING 1/4 PLT		
29.	803-006C	NUT HEX 1/4-20 PLT		

Weight Bracket

(Applies to 3S-5000, 3S-5000F, 3S-5000HD, 3S-5000HDF only)



34309

Weight Bracket

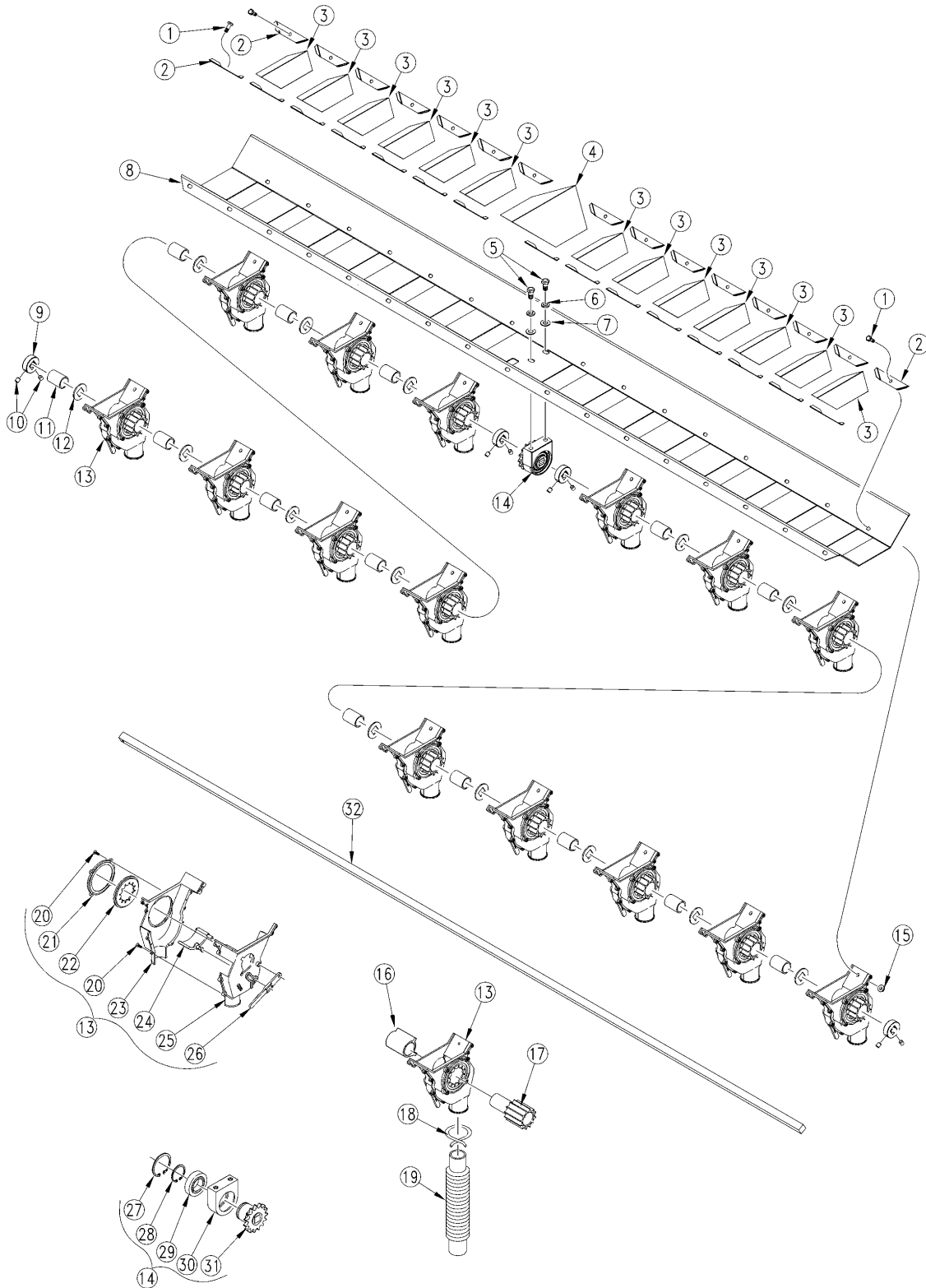
(Applies to 3S-5000, 3S-5000F, 3S-5000HD, 3S-5000HDF only)

Ref	Part No.	Part Description	Comments	Revision
	dwg34309	Image No.		
1.	802-022C	HHCS 3/8-16X1 1/2 GR5		
2.	194-058D	END CAP - TUBE		
3.	194-368D	WEIGHT BAR 1/2 X 4.50 X 171.5		
4.	804-013C	WASHER LOCK SPRING 3/8 PLT		
5.	803-014C	NUT HEX 3/8-16 PLT		

[Table of Contents](#) [Part Number Index](#)

6" Center Section Feeder Cup Tray Assy. Left Hand (195-082K)

(Applies to 3S-5000, 3S-5000HD only)



34308

6" Center Section Feeder Cup Tray Assy. Left Hand (195-082K)

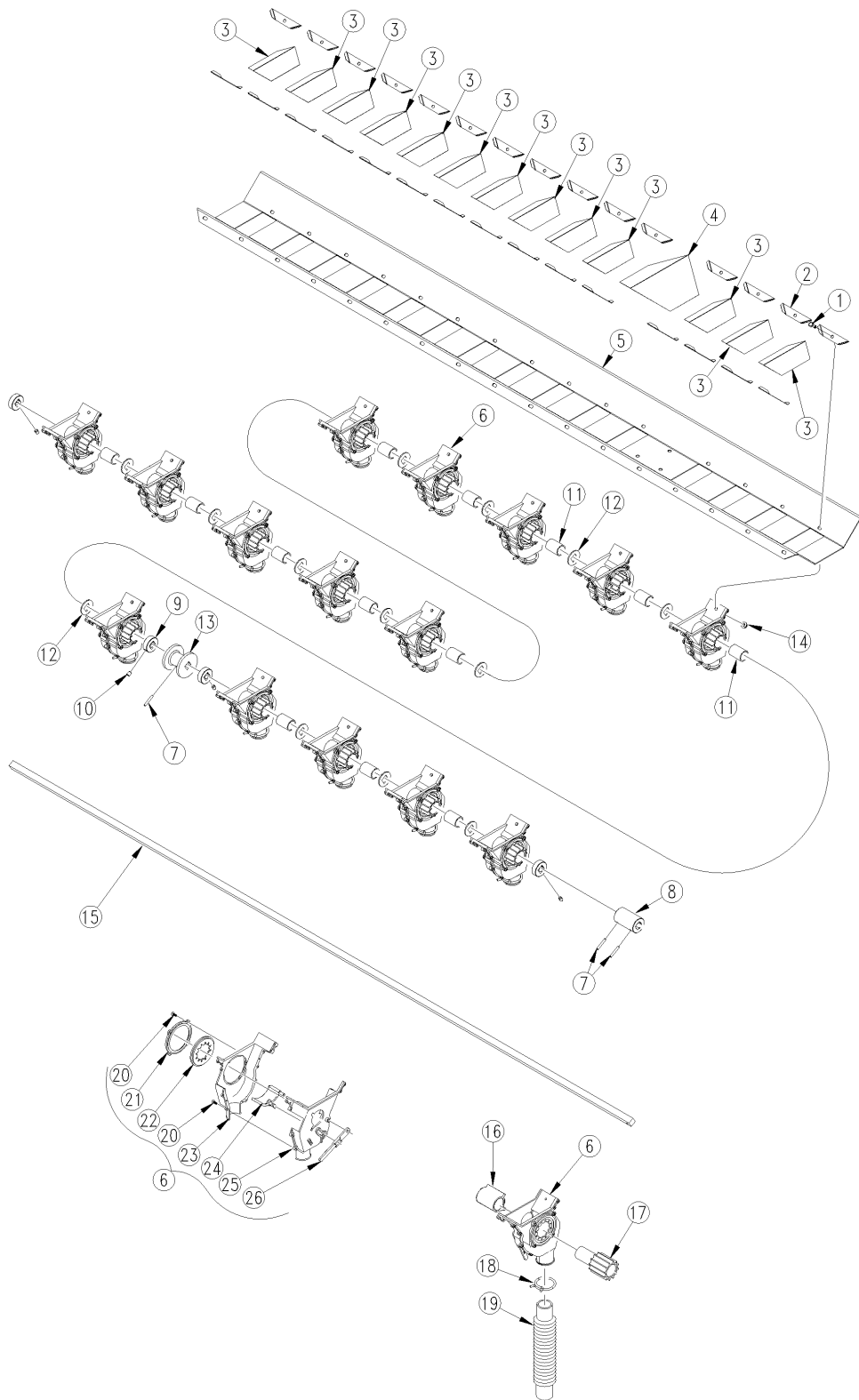
(Applies to 3S-5000, 3S-5000HD only)

Ref	Part No.	Part Description	Comments	Revision
	dwg34308	Image No.		
1.	802-004C	HHCS 1/4-20X3/4 GR5		
2.	118-341D	2SNT SEED BOX DIVIDER CLIP		
3.	118-431D	3 BOX DIVIDER FOR 4 7/8 ROW		
4.	118-432D	6 5/8 BOX DVDER FOR 8 1/2 ROW		
5.	802-014C	HHCS 3/8-16X3/4 GR5		
6.	804-013C	WASHER LOCK SPRING 3/8 PLT		
7.	804-012C	WASHER FLAT 3/8 SAE PLT		
8.	195-358D	5000 30RW FEED CUP TRAY CEN LH		
9.	890-350C	5/8 SHAFT LOCKING COLLAR		
10.	801-035C	SCREW SET 5/16-18 SKT KP X 3/8		
11.	118-434D	SPACER TUBE X 1.454		
12.	804-031C	WASHER RETAINING		
13.	817-075C	SEED CUP ASSEMBLY	Includes items 20-26	
14.	118-226S	FEEDER CUP BRG ASSEMBLY	Includes items 27-31	
15.	803-195C	NUT HEX 3/8-16 SS		
16.	817-074C	SEED CUP SLEEVE		
17.	890-190C	PM SEED CUP SPROCKET		
18.	800-009C	CLAMP HOSE 1 5/8 NO. 26		
19.	816-239C	SEED HOSE 56 RIBS X 11 LONG		
20.	802-057C	HHCS 5/8-11X2 1/4 GR5		
21.	817-073C	SEED CUP WASHER RETAINER		
22.	817-004C	NYLON WASHER-SPLIT		
23.	817-068C	SEED CUP LEFT HALF		
24.	817-070C	SEED CUP DOOR		
25.	817-069C	SEED CUP RIGHT HALF		
26.	817-071C	SEED CUP ADJUSTMENT HANDLE		
27.	800-107C	SNAP RING INT 2.165		
28.	800-004C	SNAP RING EXT BASIC 1 3/16		
29.	822-103C	BRG 30IDX55OD MM		
30.	118-336D	FEEDER CUP BRG HOUSING		
31.	118-508D	BRG HUB 40A15		
32.	175-428D	15' FD CUP SQ DRIVE BAR LH		

[Table of Contents](#) [Part Number Index](#)

6" Center Section Feeder Cup Tray Assy. Right Hand (195-403K)

(Applies to 3S-5000, 3S-5000HD only)



34987

6" Center Section Feeder Cup Tray Assy. Right Hand (195-403K)

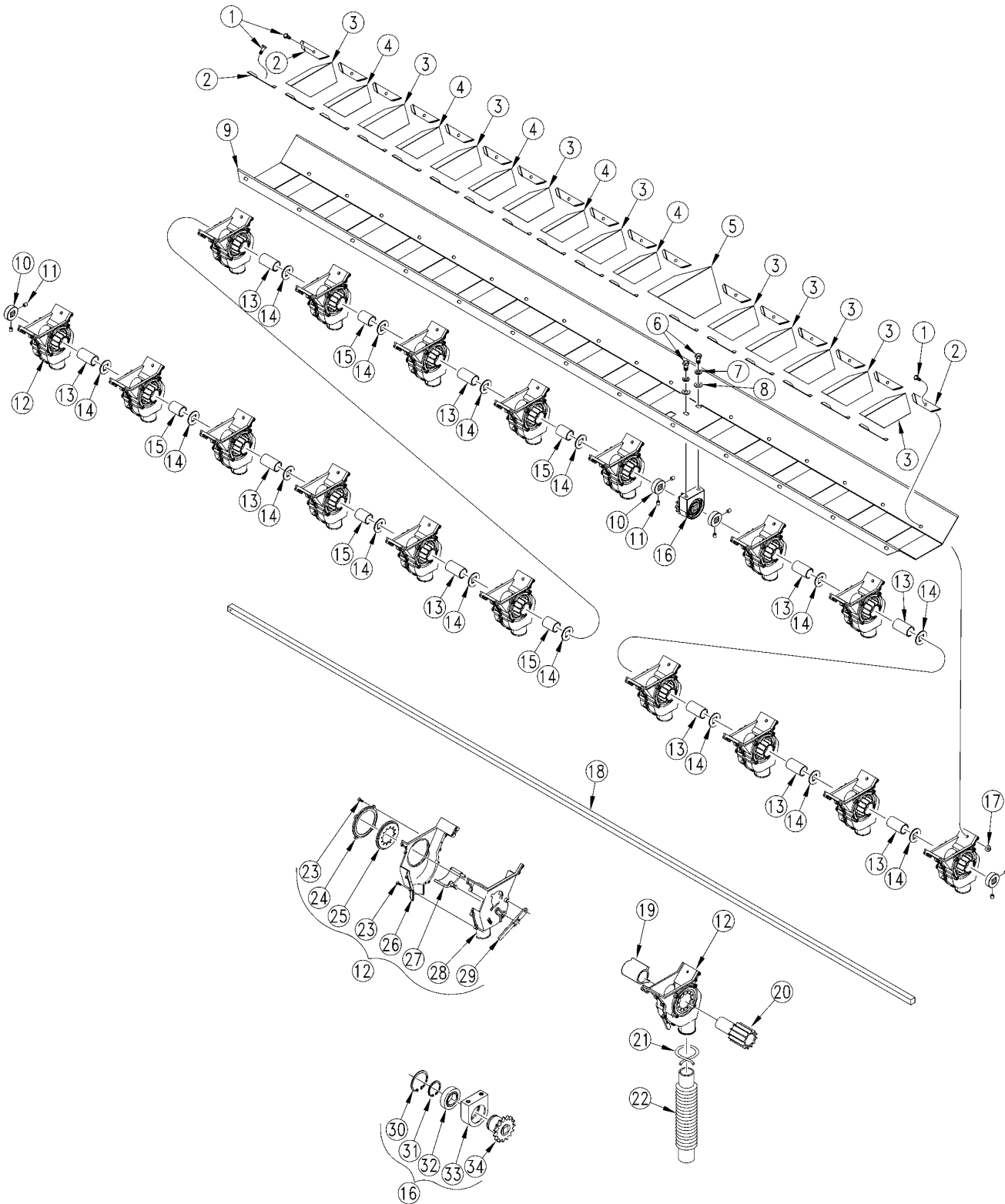
(Applies to 3S-5000, 3S-5000HD only)

Ref	Part No.	Part Description	Comments	Revision
	dwg34987	Image No.		
1.	802-004C	HHCS 1/4-20X3/4 GR5		
2.	118-341D	2SNT SEED BOX DIVIDER CLIP		
3.	118-431D	3 BOX DIVIDER FOR 4 7/8 ROW		
4.	118-432D	6 5/8 BOX DVDER FOR 8 1/2 ROW		
5.	195-359D	5000 30RW FEED CUP TRAY CEN RH		
6.	817-075C	SEED CUP ASSEMBLY	Includes items 20-26	
7.	805-023C	PIN ROLL 3/16X1 1/4 PLT		
8.	175-429D	COUPLING 5/8 SQ.		
9.	890-350C	5/8 SHAFT LOCKING COLLAR		
10.	801-035C	SCREW SET 5/16-18 SKT KP X 3/8		
11.	118-434D	SPACER TUBE X 1.454		
12.	804-031C	WASHER RETAINING		
13.	109-091D	MACHINED ADJUSTMENT SPOOL		
14.	803-194C	NUT HEX WHIZ 1/4-20 PLT		
15.	175-428D	15' FD CUP SQ DRIVE BAR LH		
16.	817-074C	SEED CUP SLEEVE		
17.	890-190C	PM SEED CUP SPROCKET		
18.	800-009C	CLAMP HOSE 1 5/8 NO. 26		
19.	816-239C	SEED HOSE 56 RIBS X 11 LONG		
20.	801-057C	SCR SELF TAP 8X3/8 TYPE25 BT		
21.	817-073C	SEED CUP WASHER RETAINER		
22.	817-004C	NYLON WASHER-SPLIT		
23.	817-068C	SEED CUP LEFT HALF		
24.	817-070C	SEED CUP DOOR		
25.	817-069C	SEED CUP RIGHT HALF		
26.	817-071C	SEED CUP ADJUSTMENT HANDLE		

Table of Contents Part Number Index

6" Left Wing Feeder Cup Tray Assy. Left Hand (195-374K)

(Applies to 3S-5000, 3S-5000HD only)



34336

6" Left Wing Feeder Cup Tray Assy. Left Hand (195-374K)

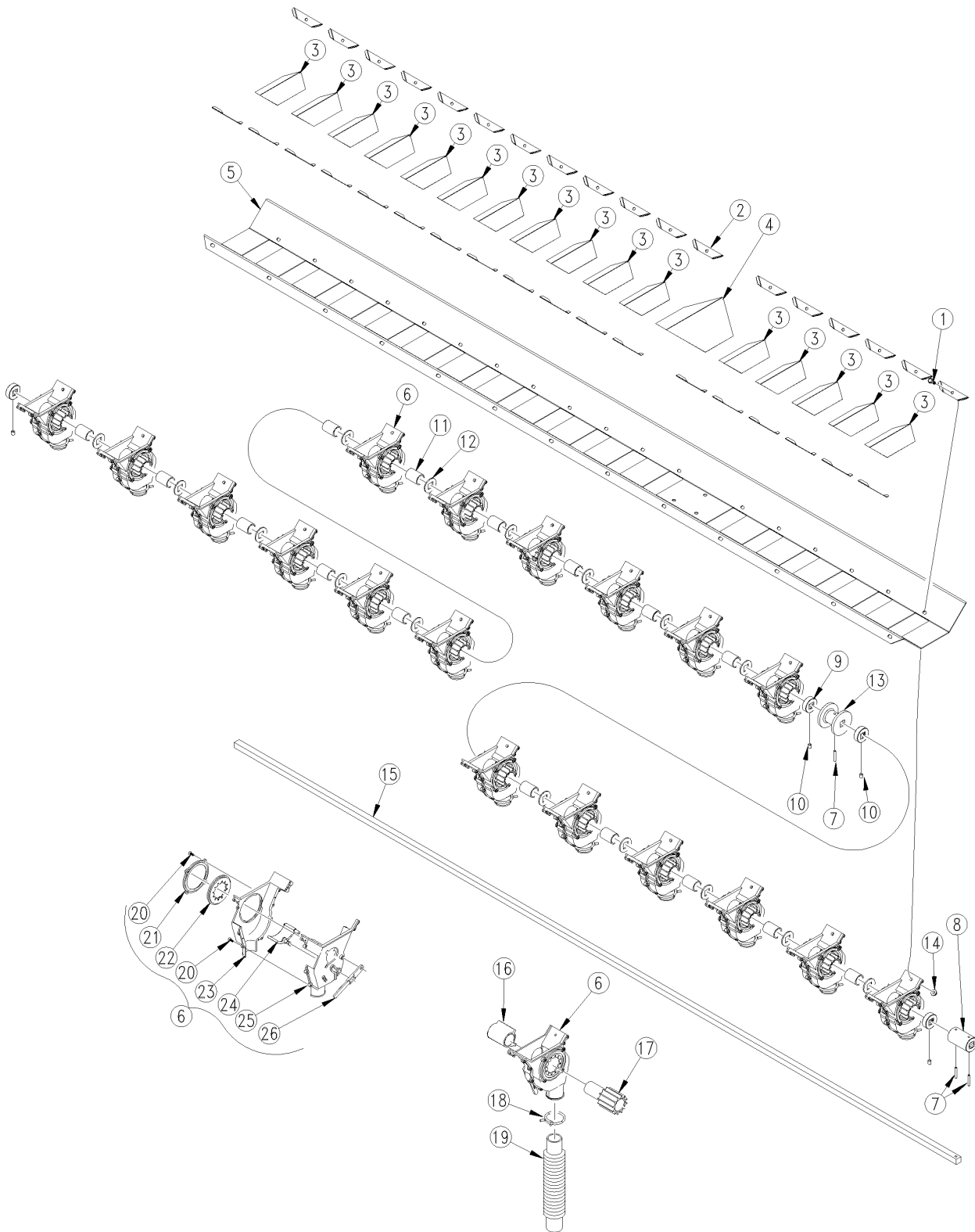
(Applies to 3S-5000, 3S-5000HD only)

Ref	Part No.	Part Description	Comments	Revision
	dwg34336	Image No.		
1.	802-004C	HHCS 1/4-20X3/4 GR5		
2.	118-341D	2SNT SEED BOX DIVIDER CLIP		
3.	118-548D	BOX DIVIDER 3 1/2		
4.	118-431D	3 BOX DIVIDER FOR 4 7/8 ROW		
5.	118-432D	6 5/8 BOX DVDER FOR 8 1/2 ROW		
6.	802-014C	HHCS 3/8-16X3/4 GR5		
7.	804-013C	WASHER LOCK SPRING 3/8 PLT		
8.	804-012C	WASHER FLAT 3/8 SAE PLT		
9.	195-421D	5000 35RW FEED CUP TRAY LH		
10.	890-350C	5/8 SHAFT LOCKING COLLAR		
11.	801-035C	SCREW SET 5/16-18 SKT KP X 3/8		
12.	817-075C	SEED CUP ASSEMBLY	Includes items 23-29	
13.	118-056D	SPACER TUBE X 1.955		
14.	804-031C	WASHER RETAINING		
15.	118-434D	SPACER TUBE X 1.454		
16.	118-226S	FEEDER CUP BRG ASSEMBLY	Includes items 30-34	
17.	803-194C	NUT HEX WHIZ 1/4-20 PLT		
18.	175-430D	17.5' FD CUP SQ DRIVE BAR		
19.	817-074C	SEED CUP SLEEVE		
20.	890-190C	PM SEED CUP SPROCKET		
21.	800-009C	CLAMP HOSE 1 5/8 NO. 26		
22.	816-239C	SEED HOSE 56 RIBS X 11 LONG		
23.	801-057C	SCR SELF TAP 8X3/8 TYPE25 BT		
24.	817-073C	SEED CUP WASHER RETAINER		
25.	817-004C	NYLON WASHER-SPLIT		
26.	817-068C	SEED CUP LEFT HALF		
27.	817-070C	SEED CUP DOOR		
28.	817-069C	SEED CUP RIGHT HALF		
29.	817-071C	SEED CUP ADJUSTMENT HANDLE		
30.	800-107C	SNAP RING INT 2.165		
31.	800-004C	SNAP RING EXT BASIC 1 3/16		
32.	822-103C	BRG 30IDX55OD MM		
33.	118-336D	FEEDER CUP BRG HOUSING		
34.	118-508D	BRG HUB 40A15		

[Table of Contents](#) [Part Number Index](#)

6" Left Wing Feeder Cup Tray Assy. Right Hand (195-404K)

(Applies to 3S-5000, 3S-5000HD only)



34988

6" Left Wing Feeder Cup Tray Assy. Right Hand (195-404K)

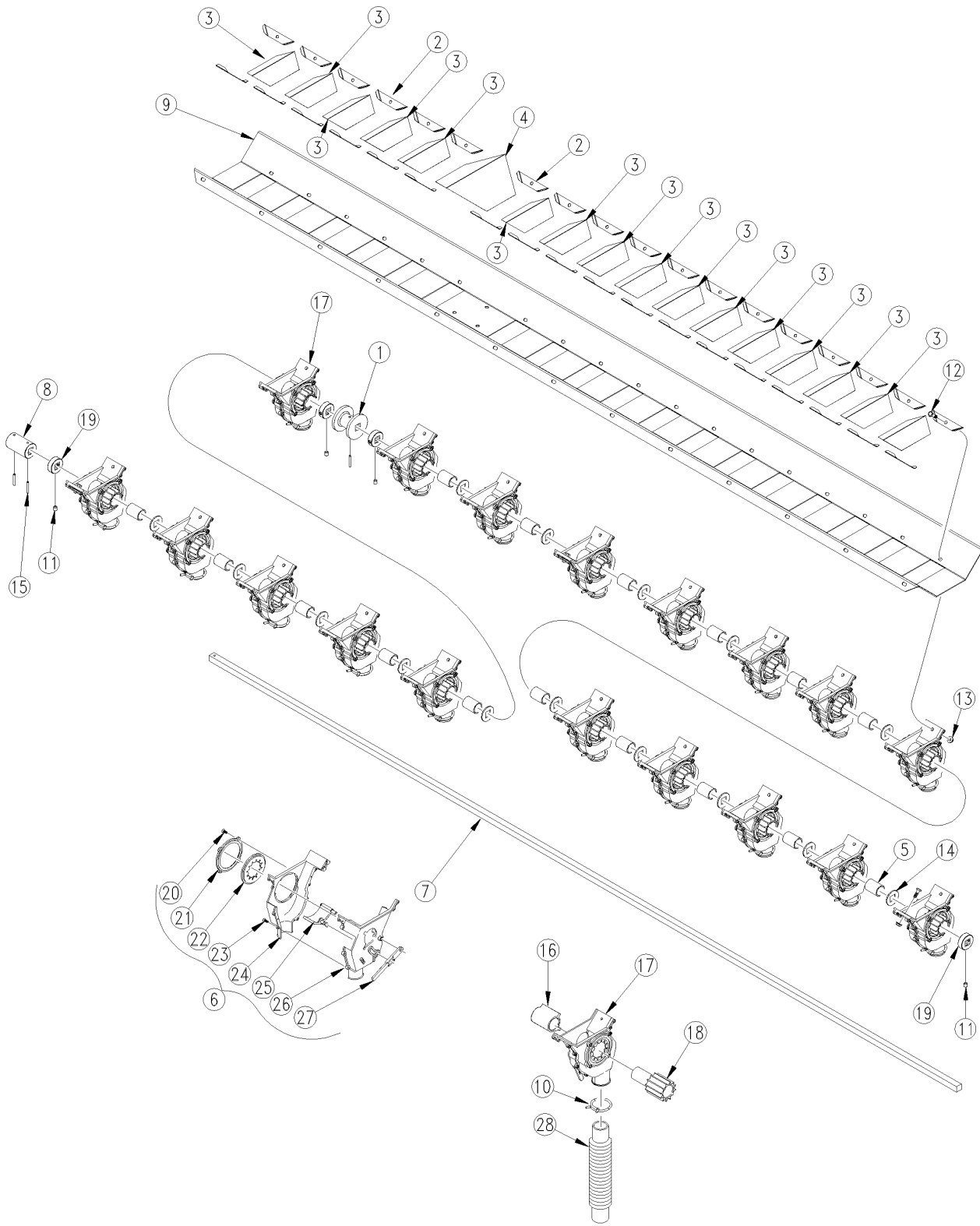
(Applies to 3S-5000, 3S-5000HD only)

Ref	Part No.	Part Description	Comments	Revision
	dwg34988	Image No.		
1.	802-004C	HHCS 1/4-20X3/4 GR5		
2.	118-341D	2SNT SEED BOX DIVIDER CLIP		
3.	118-431D	3 BOX DIVIDER FOR 4 7/8 ROW		
4.	118-432D	6 5/8 BOX DVDER FOR 8 1/2 ROW		
5.	195-360D	5000 35RW FEED CUP TRAY RH		
6.	817-075C	SEED CUP ASSEMBLY	Includes items 20-26	
7.	805-023C	PIN ROLL 3/16X1 1/4 PLT		
8.	175-429D	COUPLING 5/8 SQ.		
9.	890-350C	5/8 SHAFT LOCKING COLLAR		
10.	801-035C	SCREW SET 5/16-18 SKT KP X 3/8		
11.	118-434D	SPACER TUBE X 1.454		
12.	804-031C	WASHER RETAINING		
13.	109-091D	MACHINED ADJUSTMENT SPOOL		
14.	803-194C	NUT HEX WHIZ 1/4-20 PLT		
15.	175-430D	17.5' FD CUP SQ DRIVE BAR		
16.	817-074C	SEED CUP SLEEVE		
17.	890-190C	PM SEED CUP SPROCKET		
18.	800-009C	CLAMP HOSE 1 5/8 NO. 26		
19.	816-239C	SEED HOSE 56 RIBS X 11 LONG		
20.	801-057C	SCR SELF TAP 8X3/8 TYPE25 BT		
21.	817-073C	SEED CUP WASHER RETAINER		
22.	817-004C	NYLON WASHER-SPLIT		
23.	817-068C	SEED CUP LEFT HALF		
24.	817-070C	SEED CUP DOOR		
25.	817-069C	SEED CUP RIGHT HALF		
26.	817-071C	SEED CUP ADJUSTMENT HANDLE		

[Table of Contents](#) [Part Number Index](#)

6" Right Wing Feeder Cup Tray Assy. Left Hand (195-402K)

(Applies to 3S-5000, 3S-5000HD only)



34985

6" Right Wing Feeder Cup Tray Assy. Left Hand (195-402K)

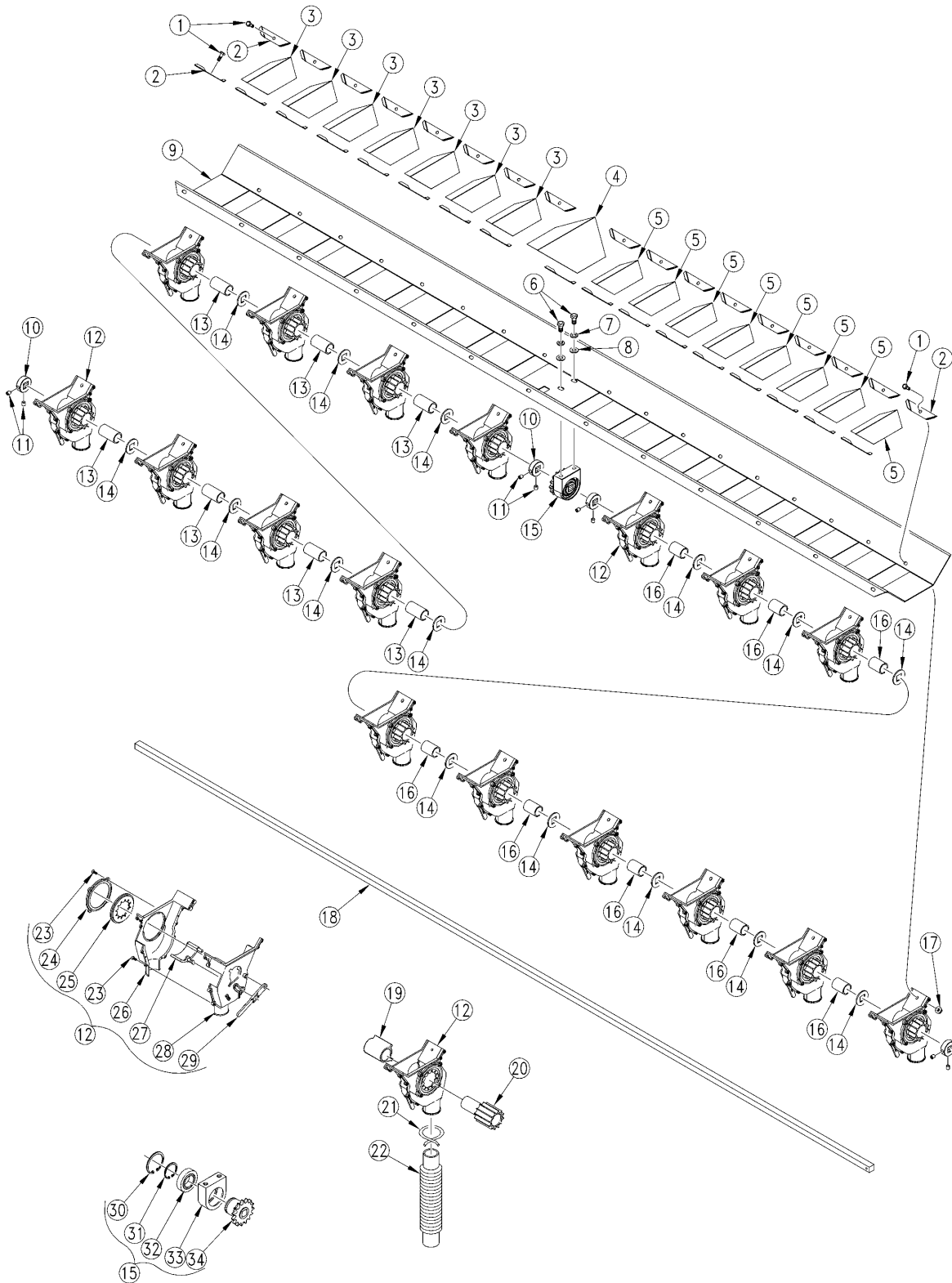
(Applies to 3S-5000, 3S-5000HD only)

Ref	Part No.	Part Description	Comments	Revision
	dwg34985	Image No.		
1.	109-091D	MACHINED ADJUSTMENT SPOOL		
2.	118-341D	2SNT SEED BOX DIVIDER CLIP		
3.	118-431D	3 BOX DIVIDER FOR 4 7/8 ROW		
4.	118-432D	6 5/8 BOX DVDER FOR 8 1/2 ROW		
5.	118-434D	SPACER TUBE X 1.454		
6.	817-075C	SEED CUP ASSEMBLY		
7.	175-430D	17.5' FD CUP SQ DRIVE BAR		
8.	175-429D	COUPLING 5/8 SQ.		
9.	195-361D	5000 35RW FEED CUP TRAY LH		
10.	800-009C	CLAMP HOSE 1 5/8 NO. 26		
11.	801-035C	SCREW SET 5/16-18 SKT KP X 3/8		
12.	802-004C	HHCS 1/4-20X3/4 GR5		
13.	803-194C	NUT HEX WHIZ 1/4-20 PLT		
14.	804-031C	WASHER RETAINING		
15.	805-023C	PIN ROLL 3/16X1 1/4 PLT		
16.	817-074C	SEED CUP SLEEVE		
17.	817-075C	SEED CUP ASSEMBLY		
18.	890-190C	PM SEED CUP SPROCKET		
19.	890-350C	5/8 SHAFT LOCKING COLLAR		
20.	801-057C	SCR SELF TAP 8X3/8 TYPE25 BT		
21.	817-073C	SEED CUP WASHER RETAINER		
22.	817-004C	NYLON WASHER-SPLIT		
23.	801-057C	SCR SELF TAP 8X3/8 TYPE25 BT		
24.	817-068C	SEED CUP LEFT HALF		
25.	817-070C	SEED CUP DOOR		
26.	817-069C	SEED CUP RIGHT HALF		
27.	817-071C	SEED CUP ADJUSTMENT HANDLE		
28.	816-239C	SEED HOSE 56 RIBS X 11 LONG		

Table of Contents Part Number Index

6" Right Wing Feeder Cup Tray Assy. Right Hand (195-086K)

(Applies to 3S-5000, 3S-5000HD only)



34307

6" Right Wing Feeder Cup Tray Assy. Right Hand (195-086K)

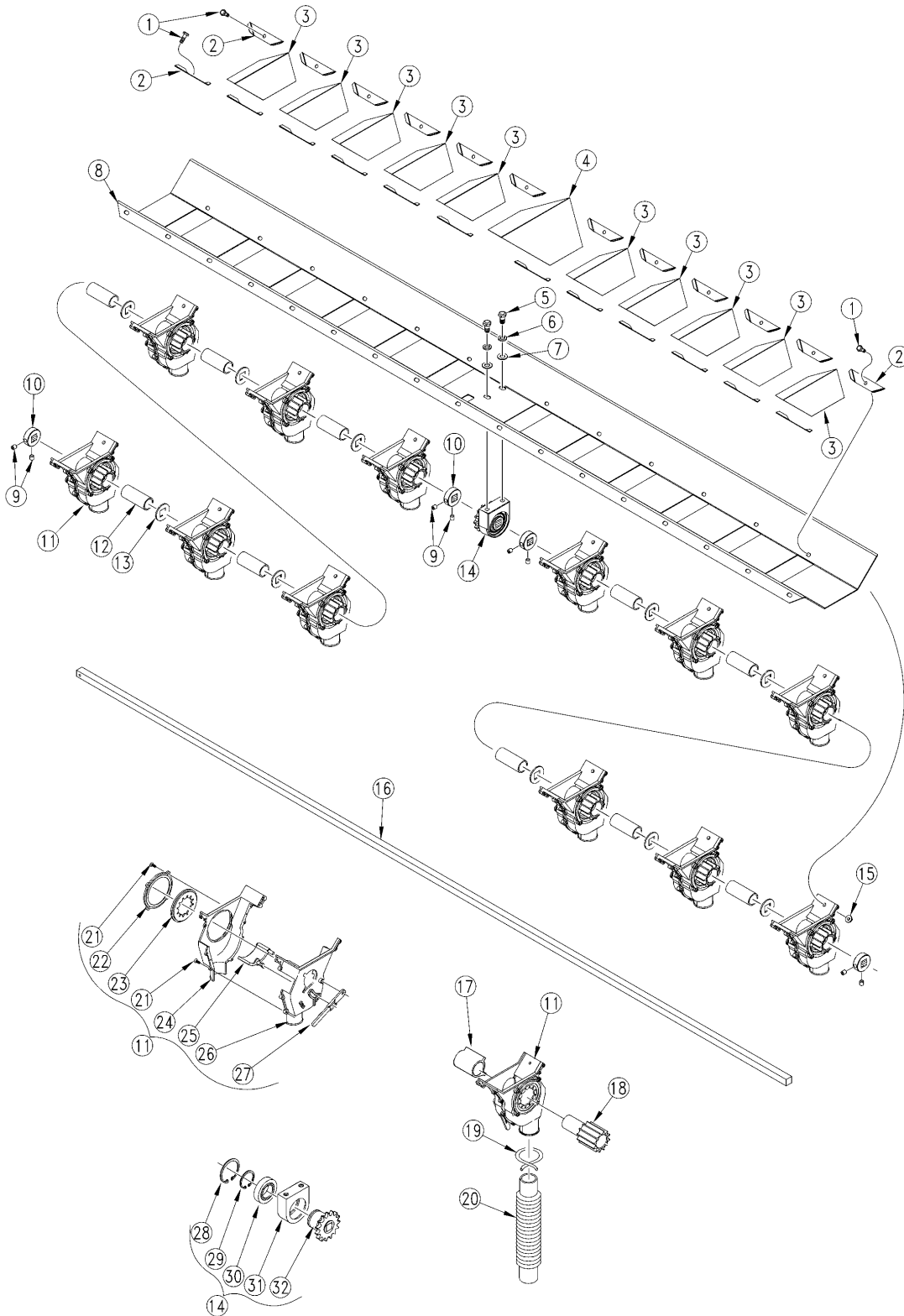
(Applies to 3S-5000, 3S-5000HD only)

Ref	Part No.	Part Description	Comments	Revision
	dwg34307	Image No.		
1.	802-004C	HHCS 1/4-20X3/4 GR5		
2.	118-341D	2SNT SEED BOX DIVIDER CLIP		
3.	118-548D	BOX DIVIDER 3 1/2		
4.	118-432D	6 5/8 BOX DVDER FOR 8 1/2 ROW		
5.	118-431D	3 BOX DIVIDER FOR 4 7/8 ROW		
6.	802-014C	HHCS 3/8-16X3/4 GR5		
7.	804-013C	WASHER LOCK SPRING 3/8 PLT		
8.	804-012C	WASHER FLAT 3/8 SAE PLT		
9.	195-362D	5000 35RW FEED CUP TRAY RH		
10.	890-350C	5/8 SHAFT LOCKING COLLAR		
11.	801-035C	SCREW SET 5/16-18 SKT KP X 3/8		
12.	817-075C	SEED CUP ASSEMBLY	Includes Items 23-29	
13.	118-056D	SPACER TUBE X 1.955		
14.	804-031C	WASHER RETAINING		
15.	118-226S	FEEDER CUP BRG ASSEMBLY	Includes Items 30-34	
16.	118-434D	SPACER TUBE X 1.454		
17.	803-194C	NUT HEX WHIZ 1/4-20 PLT		
18.	175-430D	17.5' FD CUP SQ DRIVE BAR		
19.	817-074C	SEED CUP SLEEVE		
20.	890-190C	PM SEED CUP SPROCKET		
21.	800-009C	CLAMP HOSE 1 5/8 NO. 26		
22.	816-239C	SEED HOSE 56 RIBS X 11 LONG		
23.	801-057C	SCR SELF TAP 8X3/8 TYPE25 BT		
24.	817-073C	SEED CUP WASHER RETAINER		
25.	817-004C	NYLON WASHER-SPLIT		
26.	817-068C	SEED CUP LEFT HALF		
27.	817-070C	SEED CUP DOOR		
28.	817-069C	SEED CUP RIGHT HALF		
29.	817-071C	SEED CUP ADJUSTMENT HANDLE		
30.	800-107C	SNAP RING INT 2.165		
31.	800-004C	SNAP RING EXT BASIC 1 3/16		
32.	822-103C	BRG 30IDX55OD MM		
33.	118-336D	FEEDER CUP BRG HOUSING		
34.	118-508D	BRG HUB 40A15		

[Table of Contents](#) [Part Number Index](#)

7.5" Center Section Feeder Cup Tray Assy. Left Hand (195-087K)

(Applies to 3S-5000, 3S-5000HD only)



34316

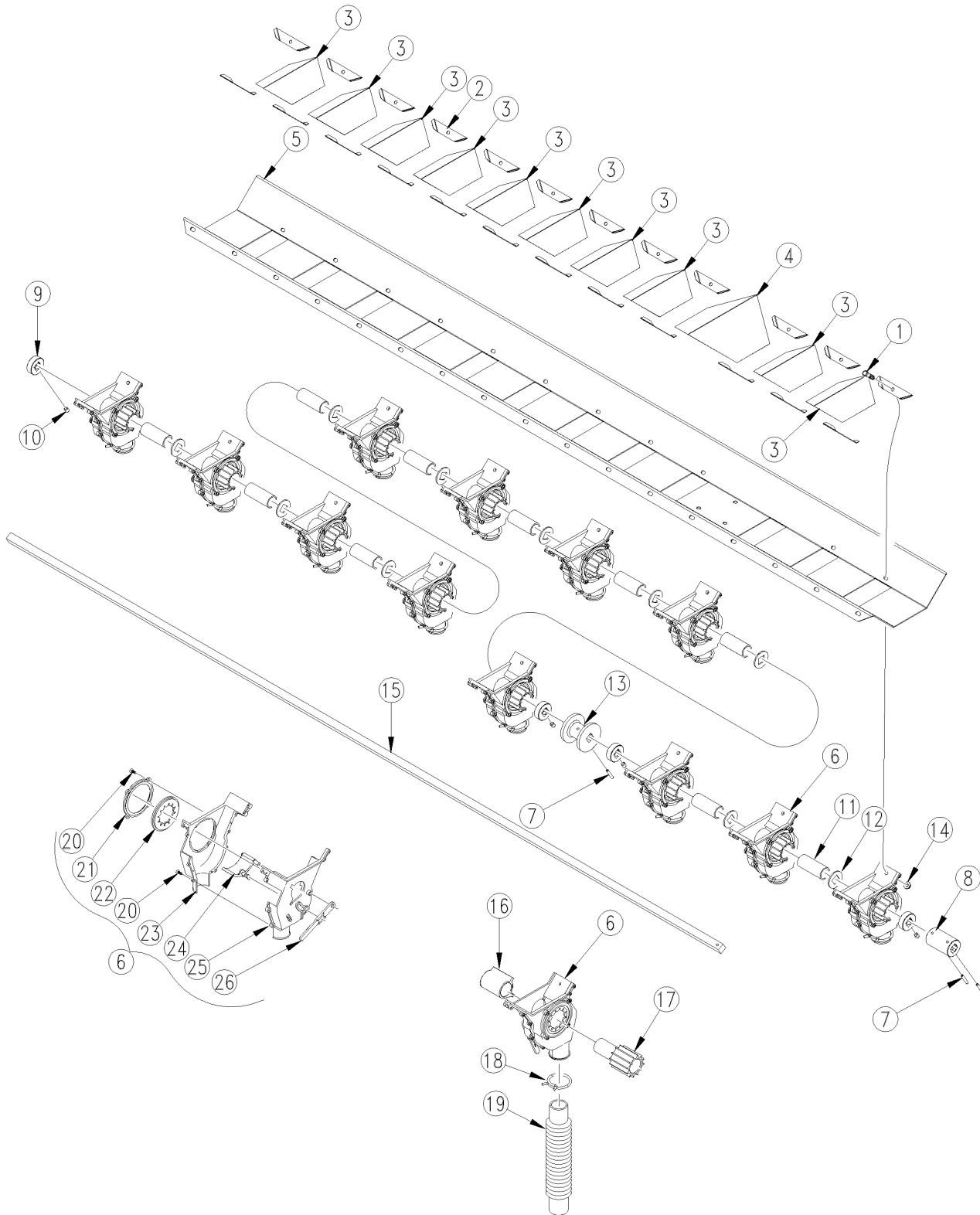
7.5" Center Section Feeder Cup Tray Assy. Left Hand (195-087K)

(Applies to 3S-5000, 3S-5000HD only)

Ref	Part No.	Part Description	Comments	Revision
	dwg34313	Image No.		
1.	802-004C	HHCS 1/4-20X3/4 GR5		
2.	118-341D	2SNT SEED BOX DIVIDER CLIP		
3.	118-066D	BOX DVDR 4.13 X 60 DEG		
4.	118-467D	7 1/16 BOX DIVIDER - 7 1/2		
5.	802-014C	HHCS 3/8-16X3/4 GR5		
6.	804-013C	WASHER LOCK SPRING 3/8 PLT		
7.	804-012C	WASHER FLAT 3/8 SAE PLT		
8.	195-363D	5000 24RW FEED CUP TRAY CEN LH		
9.	801-035C	SCREW SET 5/16-18 SKT KP X 3/8		
10.	890-350C	5/8 SHAFT LOCKING COLLAR		
11.	817-075C	SEED CUP ASSEMBLY	Includes items 21-27	
12.	118-065D	SPACER TUBE 2.584		
13.	804-031C	WASHER RETAINING		
14.	118-226S	FEEDER CUP BRG ASSEMBLY	Includes items 28-32	
15.	803-194C	NUT HEX WHIZ 1/4-20 PLT		
16.	175-428D	15' FD CUP SQ DRIVE BAR LH		
17.	817-074C	SEED CUP SLEEVE		
18.	890-190C	PM SEED CUP SPROCKET		
19.	800-009C	CLAMP HOSE 1 5/8 NO. 26		
20.	816-239C	SEED HOSE 56 RIBS X 11 LONG		
21.	801-057C	SCR SELF TAP 8X3/8 TYPE25 BT		
22.	817-073C	SEED CUP WASHER RETAINER		
23.	817-004C	NYLON WASHER-SPLIT		
24.	817-068C	SEED CUP LEFT HALF		
25.	817-070C	SEED CUP DOOR		
26.	817-069C	SEED CUP RIGHT HALF		
27.	817-071C	SEED CUP ADJUSTMENT HANDLE		
28.	800-107C	SNAP RING INT 2.165		
29.	800-004C	SNAP RING EXT BASIC 1 3/16		
30.	822-103C	BRG 30IDX55OD MM		
31.	118-336D	FEEDER CUP BRG HOUSING		
32.	118-508D	BRG HUB 40A15		

7.5" Center Section Feeder Cup Tray Assy. Right Hand (195-406K)

(Applies to 3S-5000, 3S-5000HD only)



34995

7.5" Center Section Feeder Cup Tray Assy. Right Hand (195-406K)

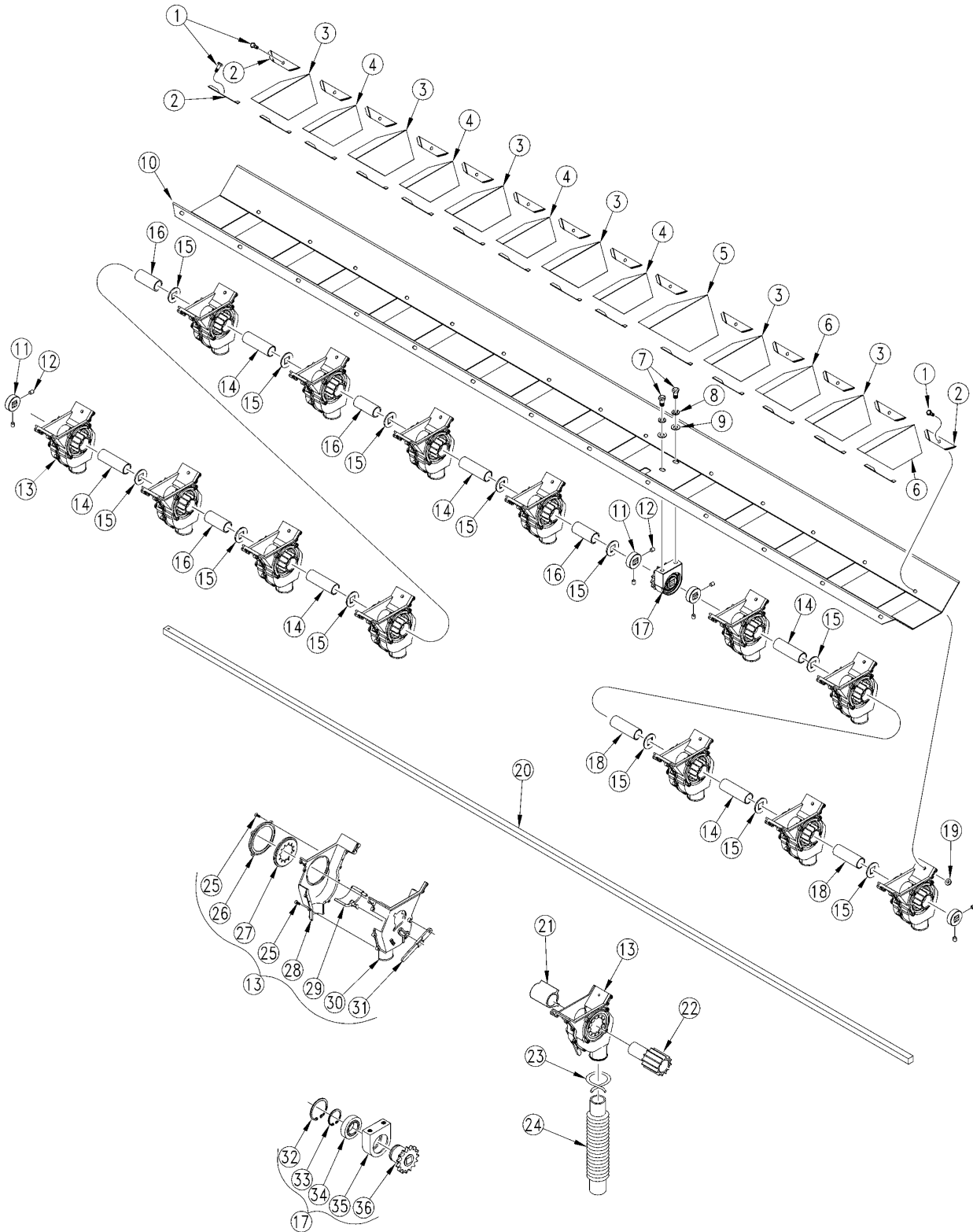
(Applies to 3S-5000, 3S-5000HD only)

Ref	Part No.	Part Description	Comments	Revision
	dwg34995	Image No.		
1.	802-004C	HHCS 1/4-20X3/4 GR5		
2.	118-341D	2SNT SEED BOX DIVIDER CLIP		
3.	118-066D	BOX DVDR 4.13 X 60 DEG		
4.	118-467D	7 1/16 BOX DIVIDER - 7 1/2		
5.	195-364D	5000 24RW FEED CUP TRAY CEN RH		
6.	817-075C	SEED CUP ASSEMBLY	Includes itens 20-26	
7.	805-023C	PIN ROLL 3/16X1 1/4 PLT		
8.	175-429D	COUPLING 5/8 SQ.		
9.	890-350C	5/8 SHAFT LOCKING COLLAR		
10.	801-035C	SCREW SET 5/16-18 SKT KP X 3/8		
11.	118-065D	SPACER TUBE 2.584		
12.	804-031C	WASHER RETAINING		
13.	109-091D	MACHINED ADJUSTMENT SPOOL		
14.	803-194C	NUT HEX WHIZ 1/4-20 PLT		
15.	175-428D	15' FD CUP SQ DRIVE BAR LH		
16.	817-074C	SEED CUP SLEEVE		
17.	890-190C	PM SEED CUP SPROCKET		
18.	800-009C	CLAMP HOSE 1 5/8 NO. 26		
19.	816-239C	SEED HOSE 56 RIBS X 11 LONG		
20.	801-057C	SCR SELF TAP 8X3/8 TYPE25 BT		
21.	817-073C	SEED CUP WASHER RETAINER		
22.	817-004C	NYLON WASHER-SPLIT		
23.	817-068C	SEED CUP LEFT HALF		
24.	817-070C	SEED CUP DOOR		
25.	817-069C	SEED CUP RIGHT HALF		
26.	817-071C	SEED CUP ADJUSTMENT HANDLE		

Table of Contents Part Number Index

7.5" Left Wing Feeder Cup Tray Assy. Left Hand (195-089K)

(Applies to 3S-5000, 3S-5000HD only)



34322

7.5" Left Wing Feeder Cup Tray Assy. Left Hand (195-089K)

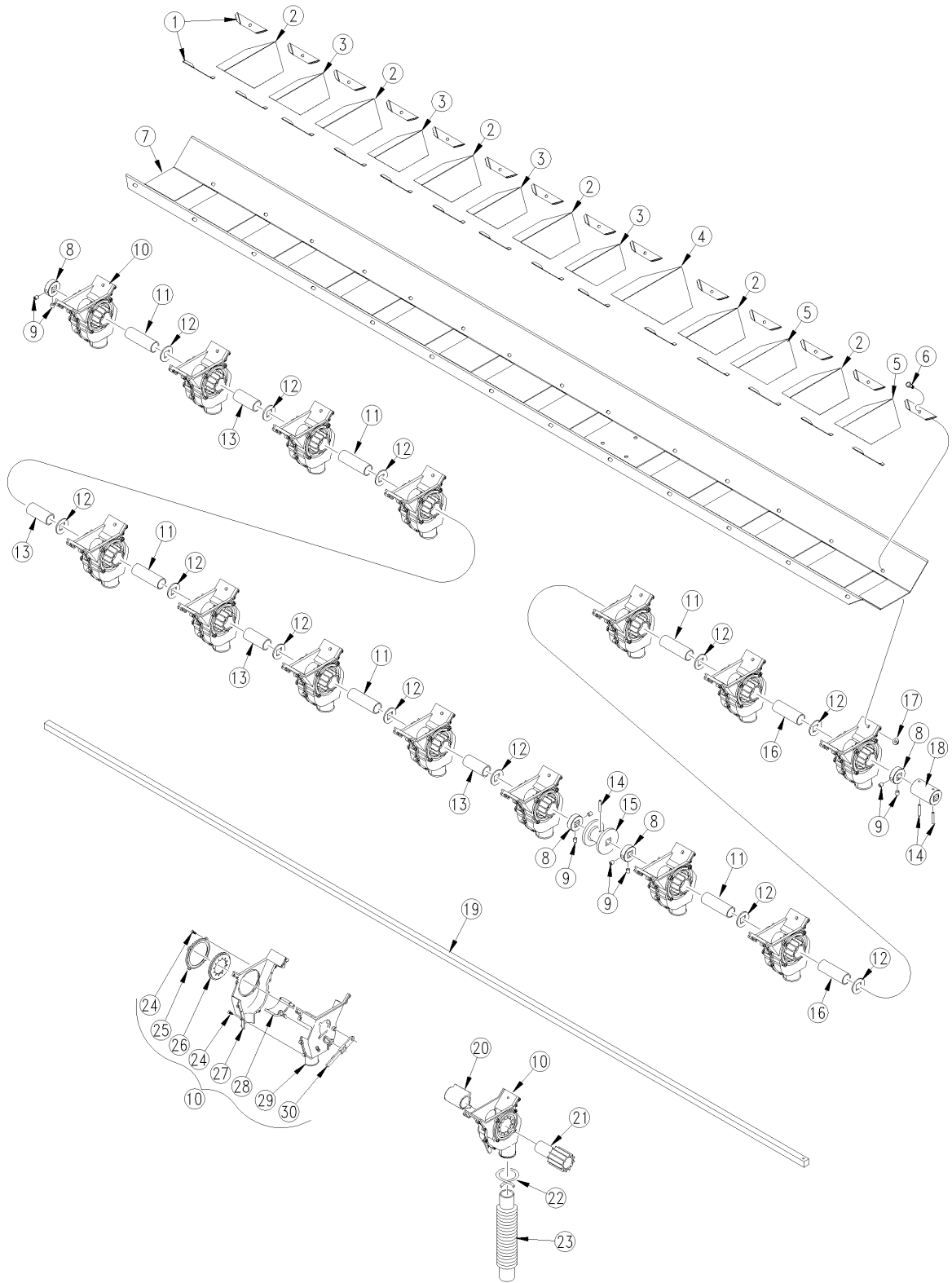
(Applies to 3S-5000, 3S-5000HD only)

Ref	Part No.	Part Description	Comments	Revision
	dwg34322	Image No.		
1.	802-004C	HHCS 1/4-20X3/4 GR5		
2.	118-341D	2SNT SEED BOX DIVIDER CLIP		
3.	118-339D	4 13/16 BOX DVDR FOR 7 1/2 ROW		
4.	118-433D	BOX DVDR 4.00 X 60DEG		
5.	118-432D	6 5/8 BOX DVDR FOR 8 1/2 ROW		
6.	118-370D	4 5/8 BOX DVDR FOR 8 ROW		
7.	802-014C	HHCS 3/8-16X3/4 GR5		
8.	804-013C	WASHER LOCK SPRING 3/8 PLT		
9.	804-012C	WASHER FLAT 3/8 SAE PLT		
10.	195-365D	5000 28RW FEED CUP TRAY LH		
11.	890-350C	5/8 SHAFT LOCKING COLLAR		
12.	801-035C	SCREW SET 5/16-18 SKT KP X 3/8		
13.	817-075C	SEED CUP ASSEMBLY	Includes items 25-31	
14.	118-347D	SPACER TUBE X 3.266		
15.	804-031C	WASHER RETAINING		
16.	118-436D	SPACER TUBE X 2.470		
17.	118-226S	FEEDER CUP BRG ASSEMBLY	Includes items 32-36	
18.	118-376D	SPACER TUBE X 3.078		
19.	803-194C	NUT HEX WHIZ 1/4-20 PLT		
20.	175-430D	17.5' FD CUP SQ DRIVE BAR		
21.	817-074C	SEED CUP SLEEVE		
22.	890-190C	PM SEED CUP SPROCKET		
23.	800-009C	CLAMP HOSE 1 5/8 NO. 26		
24.	816-239C	SEED HOSE 56 RIBS X 11 LONG		
25.	801-057C	SCR SELF TAP 8X3/8 TYPE25 BT		
26.	817-073C	SEED CUP WASHER RETAINER		
27.	817-004C	NYLON WASHER-SPLIT		
28.	817-068C	SEED CUP LEFT HALF		
29.	817-070C	SEED CUP DOOR		
30.	817-069C	SEED CUP RIGHT HALF		
31.	817-071C	SEED CUP ADJUSTMENT HANDLE		
32.	800-107C	SNAP RING INT 2.165		
33.	800-004C	SNAP RING EXT BASIC 1 3/16		
34.	822-103C	BRG 30IDX55OD MM		
35.	118-336D	FEEDER CUP BRG HOUSING		
36.	118-508D	BRG HUB 40A15		

[Table of Contents](#) [Part Number Index](#)

7.5" Left Wing Feeder Cup Tray Assy. Right Hand (195-407K)

(Applies to 3S-5000, 3S-5000HD only)



34993

7.5" Left Wing Feeder Cup Tray Assy. Right Hand (195-407K)

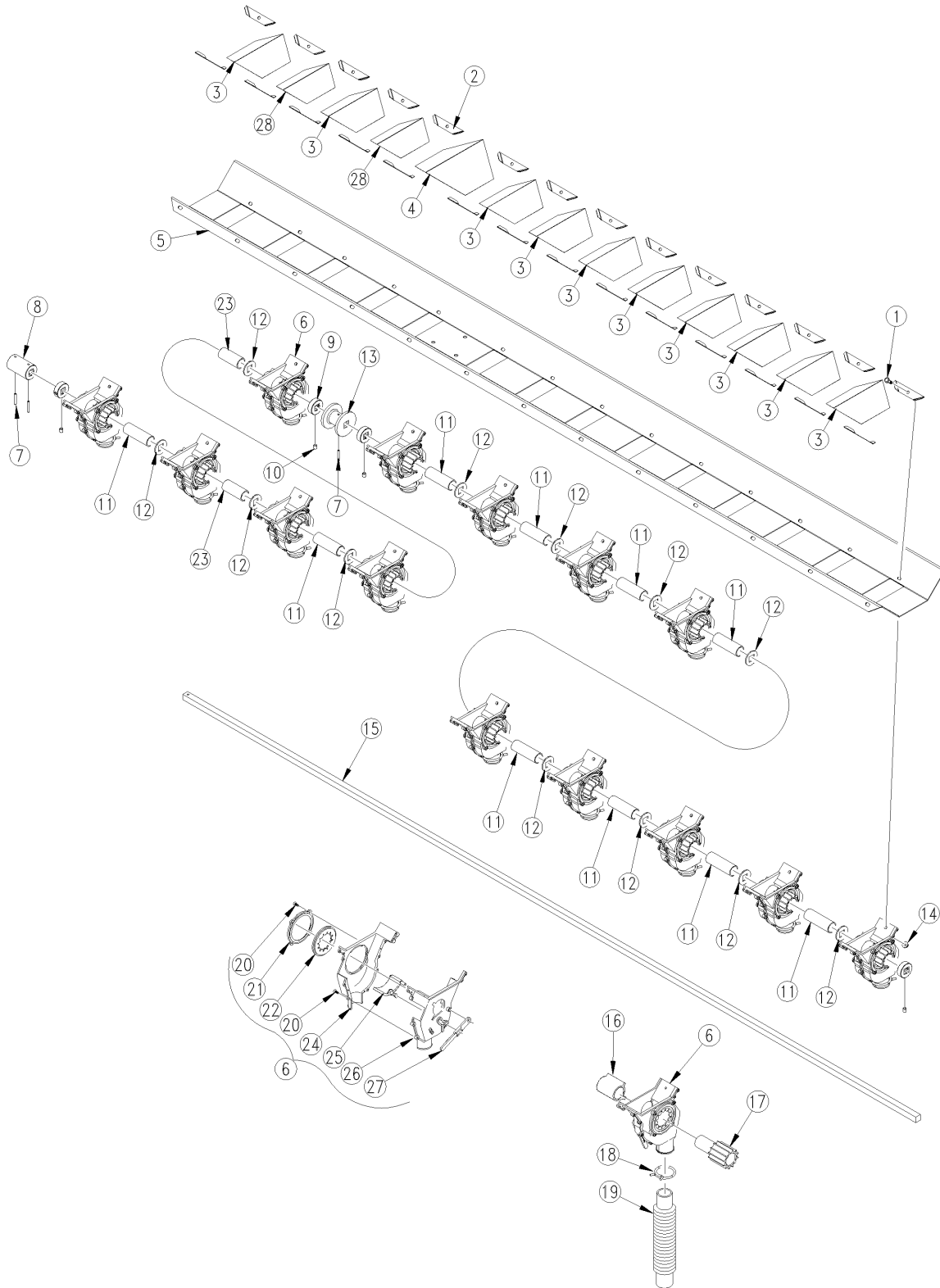
(Applies to 3S-5000, 3S-5000HD only)

Ref	Part No.	Part Description	Comments	Revision
	dwg34993	Image No.		
1.	118-341D	2SNT SEED BOX DIVIDER CLIP		
2.	118-339D	4 13/16 BOX DVDR FOR 7 1/2 ROW		
3.	118-433D	BOX DVDR 4.00 X 60DEG		
4.	118-432D	6 5/8 BOX DVDR FOR 8 1/2 ROW		
5.	118-370D	4 5/8 BOX DVDR FOR 8 ROW		
6.	802-004C	HHCS 1/4-20X3/4 GR5		
7.	195-366D	5000 28RW FEED CUP TRAY RH		
8.	890-350C	5/8 SHAFT LOCKING COLLAR		
9.	801-035C	SCREW SET 5/16-18 SKT KP X 3/8		
10.	817-075C	SEED CUP ASSEMBLY	Includes items 24-30	
11.	118-347D	SPACER TUBE X 3.266		
12.	804-031C	WASHER RETAINING		
13.	118-436D	SPACER TUBE X 2.470		
14.	805-023C	PIN ROLL 3/16X1 1/4 PLT		
15.	109-091D	MACHINED ADJUSTMENT SPOOL		
16.	118-376D	SPACER TUBE X 3.078		
17.	803-194C	NUT HEX WHIZ 1/4-20 PLT		
18.	175-429D	COUPLING 5/8 SQ.		
19.	175-430D	17.5' FD CUP SQ DRIVE BAR		
20.	817-074C	SEED CUP SLEEVE		
21.	890-190C	PM SEED CUP SPROCKET		
22.	800-009C	CLAMP HOSE 1 5/8 NO. 26		
23.	816-239C	SEED HOSE 56 RIBS X 11 LONG		
24.	807-057C	SPLIT PACKER COULTER SPRG BAR		
25.	817-073C	SEED CUP WASHER RETAINER		
26.	817-004C	NYLON WASHER-SPLIT		
27.	817-068C	SEED CUP LEFT HALF		
28.	817-070C	SEED CUP DOOR		
29.	817-069C	SEED CUP RIGHT HALF		
30.	817-071C	SEED CUP ADJUSTMENT HANDLE		

[Table of Contents](#) [Part Number Index](#)

7.5" Right Wing Feeder Cup Tray Assy. Left Hand (195-405K)

(Applies to 3S-5000, 3S-5000HD only)



34994

7.5" Right Wing Feeder Cup Tray Assy. Left Hand (195-405K)

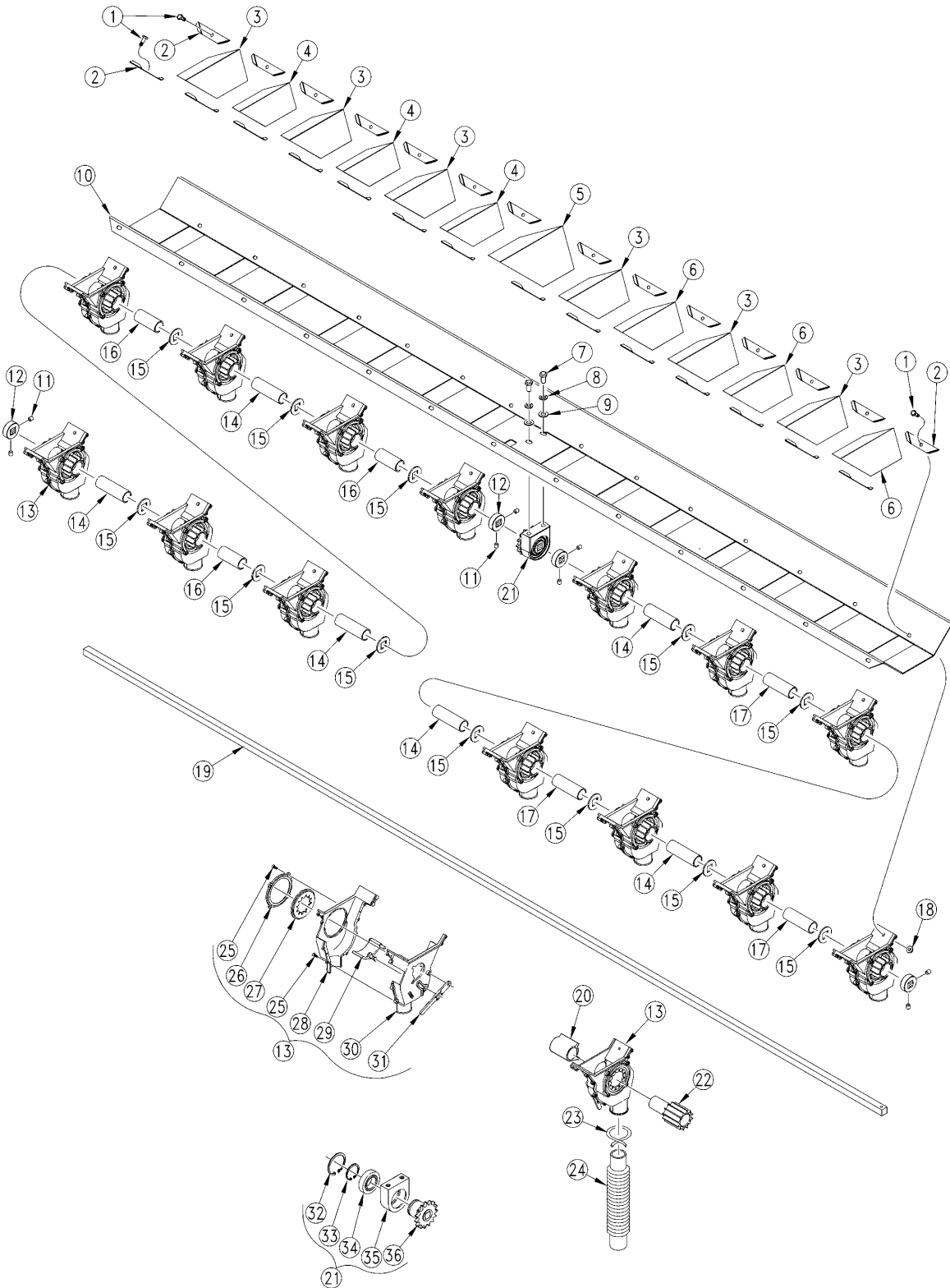
(Applies to 3S-5000, 3S-5000HD only)

Ref	Part No.	Part Description	Comments	Revision
	dwg34994	Image No.		
1.	802-004C	HHCS 1/4-20X3/4 GR5		
2.	118-341D	2SNT SEED BOX DIVIDER CLIP		
3.	118-370D	4 5/8 BOX DVDR FOR 8 ROW		
4.	118-432D	6 5/8 BOX DVDR FOR 8 1/2 ROW		
5.	195-367D	5000 28RW FEED CUP TRAY LH		
6.	817-075C	SEED CUP ASSEMBLY	Includes items 20-22 & 24-27	
7.	805-023C	PIN ROLL 3/16X1 1/4 PLT		
8.	175-429D	COUPLING 5/8 SQ.		
9.	890-350C	5/8 SHAFT LOCKING COLLAR		
10.	801-035C	SCREW SET 5/16-18 SKT KP X 3/8		
11.	118-376D	SPACER TUBE X 3.078		
12.	804-031C	WASHER RETAINING		
13.	109-091D	MACHINED ADJUSTMENT SPOOL		
14.	803-194C	NUT HEX WHIZ 1/4-20 PLT		
15.	175-430D	17.5' FD CUP SQ DRIVE BAR		
16.	817-074C	SEED CUP SLEEVE		
17.	890-190C	PM SEED CUP SPROCKET		
18.	800-009C	CLAMP HOSE 1 5/8 NO. 26		
19.	816-239C	SEED HOSE 56 RIBS X 11 LONG		
20.	801-057C	SCR SELF TAP 8X3/8 TYPE25 BT		
21.	817-073C	SEED CUP WASHER RETAINER		
22.	817-004C	NYLON WASHER-SPLIT		
23.	118-436D	SPACER TUBE X 2.470		
24.	817-068C	SEED CUP LEFT HALF		
25.	817-070C	SEED CUP DOOR		
26.	817-069C	SEED CUP RIGHT HALF		
27.	817-071C	SEED CUP ADJUSTMENT HANDLE		
28.	118-433D	BOX DVDR 4.00 X 60DEG		

Table of Contents Part Number Index

7.5" Right Wing Feeder Cup Tray Assy. Right Hand (195-092K)

(Applies to 3S-5000, 3S-5000HD only)



34325

7.5" Right Wing Feeder Cup Tray Assy. Right Hand (195-092K)

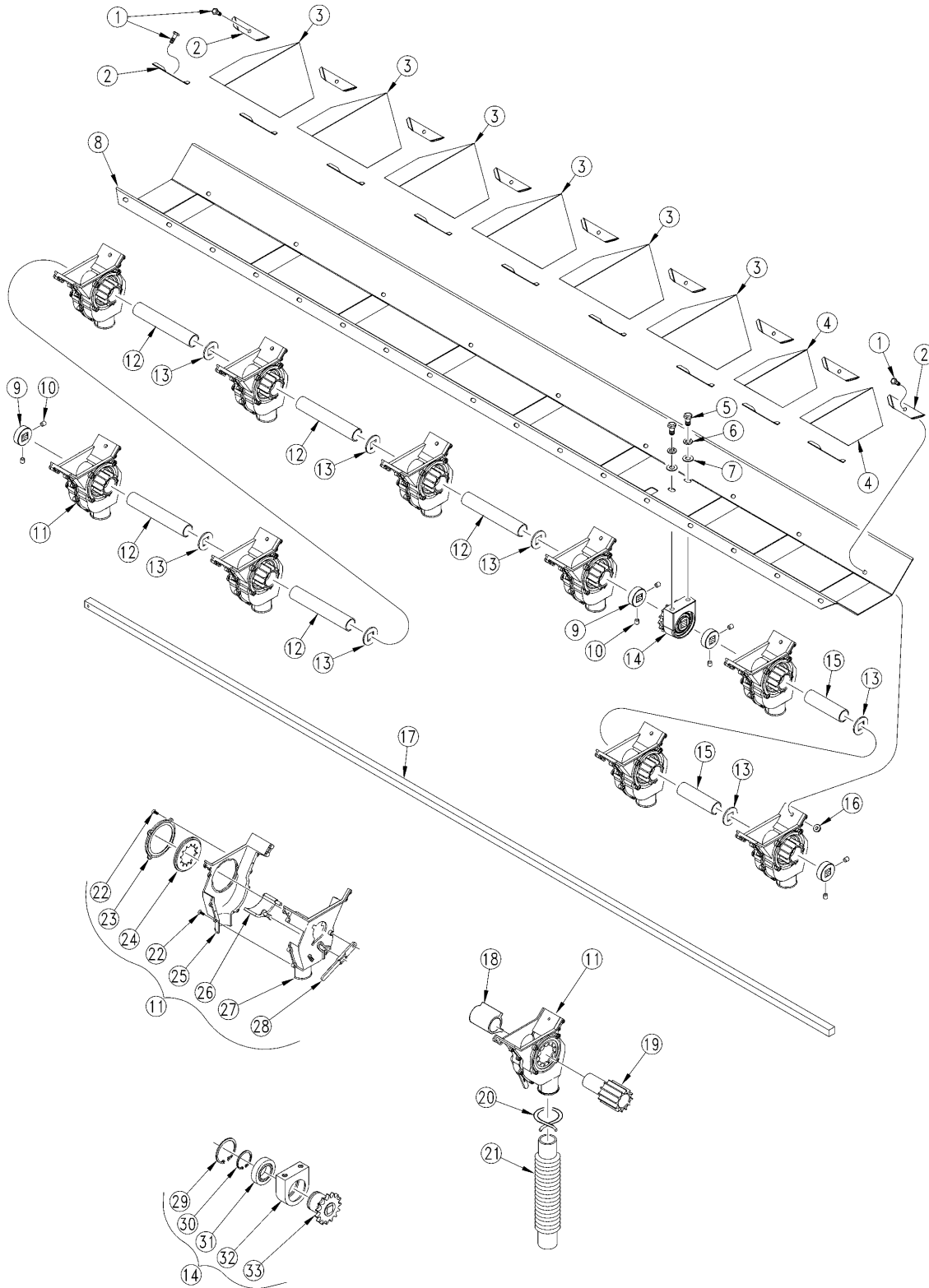
(Applies to 3S-5000, 3S-5000HD only)

Ref	Part No.	Part Description	Comments	Revision
	dwg34325	Image No.		
1.	802-004C	HHCS 1/4-20X3/4 GR5		
2.	118-341D	2SNT SEED BOX DIVIDER CLIP		
3.	118-339D	4 13/16 BOX DVDR FOR 7 1/2 ROW		
4.	118-433D	BOX DVDR 4.00 X 60DEG		
5.	118-432D	6 5/8 BOX DVDR FOR 8 1/2 ROW		
6.	118-370D	4 5/8 BOX DVDR FOR 8 ROW		
7.	802-014C	HHCS 3/8-16X3/4 GR5		
8.	804-013C	WASHER LOCK SPRING 3/8 PLT		
9.	804-012C	WASHER FLAT 3/8 SAE PLT		
10.	195-368D	5000 28RW FEED CUP TRAY RH		
11.	801-035C	SCREW SET 5/16-18 SKT KP X 3/8		
12.	890-350C	5/8 SHAFT LOCKING COLLAR		
13.	817-075C	SEED CUP ASSEMBLY	Includes items 25-31	
14.	118-347D	SPACER TUBE X 3.266		
15.	804-031C	WASHER RETAINING		
16.	118-436D	SPACER TUBE X 2.470		
17.	118-376D	SPACER TUBE X 3.078		
18.	803-194C	NUT HEX WHIZ 1/4-20 PLT		
19.	175-430D	17.5' FD CUP SQ DRIVE BAR		
20.	817-074C	SEED CUP SLEEVE		
21.	118-226S	FEEDER CUP BRG ASSEMBLY	Includes items 32-36	
22.	890-190C	PM SEED CUP SPROCKET		
23.	800-009C	CLAMP HOSE 1 5/8 NO. 26		
24.	816-239C	SEED HOSE 56 RIBS X 11 LONG		
25.	801-057C	SCR SELF TAP 8X3/8 TYPE25 BT		
26.	817-073C	SEED CUP WASHER RETAINER		
27.	817-004C	NYLON WASHER-SPLIT		
28.	817-068C	SEED CUP LEFT HALF		
29.	817-070C	SEED CUP DOOR		
30.	817-069C	SEED CUP RIGHT HALF		
31.	817-071C	SEED CUP ADJUSTMENT HANDLE		
32.	800-107C	SNAP RING INT 2.165		
33.	800-004C	SNAP RING EXT BASIC 1 3/16		
34.	822-103C	BRG 30IDX55OD MM		
35.	118-336D	FEEDER CUP BRG HOUSING		
36.	118-508D	BRG HUB 40A15		

Table of Contents Part Number Index

10" Center Section Feeder Cup Tray Assy. Left Hand (195-093K)

(Applies to 3S-5000, 3S-5000HD only)



34326

10" Center Section Feeder Cup Tray Assy. Left Hand (195-093K)

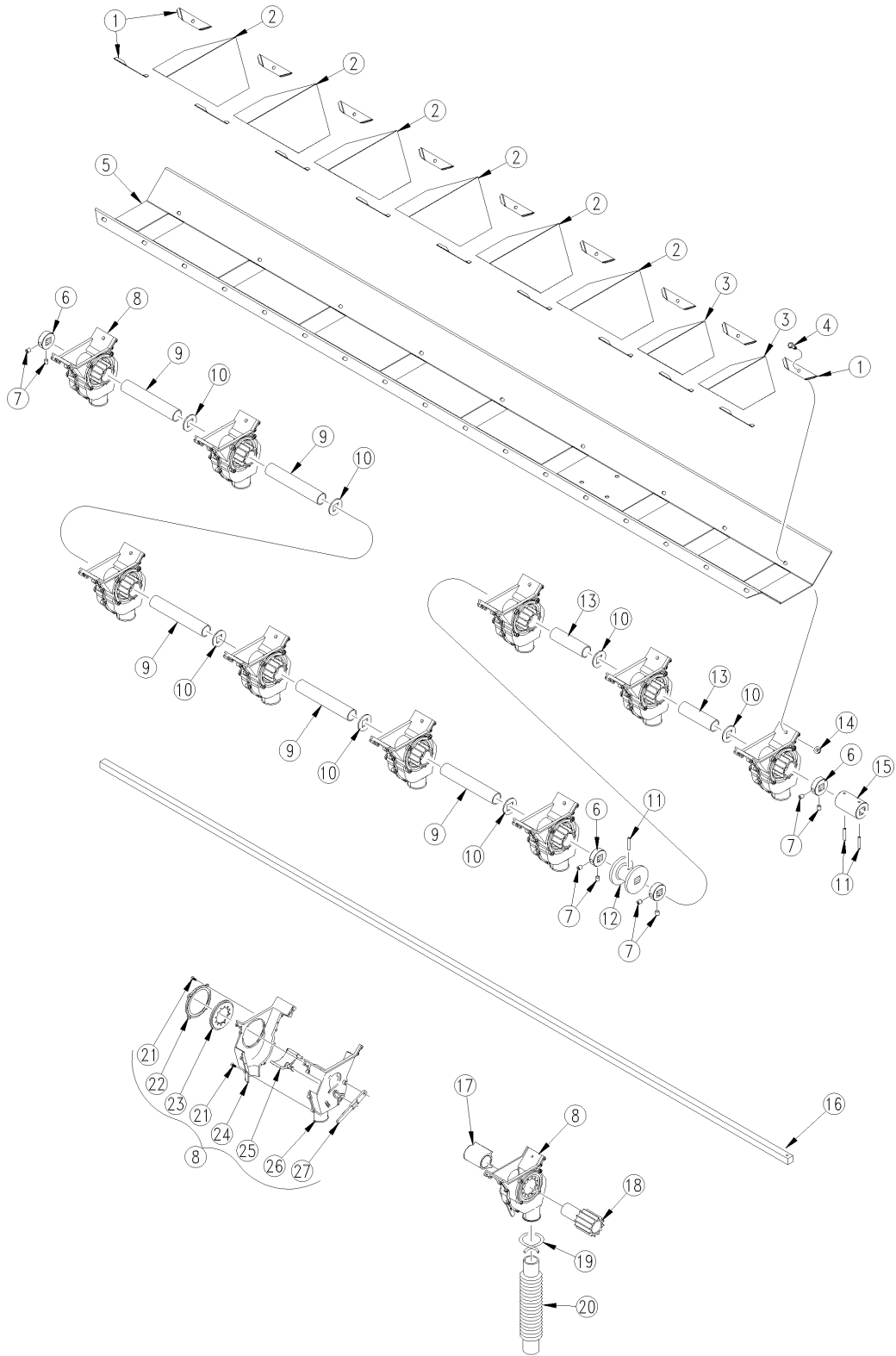
(Applies to 3S-5000, 3S-5000HD only)

Ref	Part No.	Part Description	Comments	Revision
	dwg34326	Image No.		
1.	802-004C	HHCS 1/4-20X3/4 GR5		
2.	118-341D	2SNT SEED BOX DIVIDER CLIP		
3.	118-373D	7 5/8 BOX DVDR FOR 8 ROW		
4.	118-371D	BOX DVDR 5.31 X 60DEG		
5.	802-014C	HHCS 3/8-16X3/4 GR5		
6.	804-014C	WASHER LOCK 7/16 PLT		
7.	804-012C	WASHER FLAT 3/8 SAE PLT		
8.	195-369D	500018RW FEED CUP TRAY CEN LH		
9.	890-350C	5/8 SHAFT LOCKING COLLAR		
10.	801-035C	SCREW SET 5/16-18 SKT KP X 3/8		
11.	817-075C	SEED CUP ASSEMBLY	Includes Items 22-28	
12.	118-067D	SPACER TUBE X 6.14		
13.	804-031C	WASHER RETAINING		
14.	118-226S	FEEDER CUP BRG ASSEMBLY	Includes items 29-33	
15.	118-375D	SPACER TUBE X 3.766		
16.	803-194C	NUT HEX WHIZ 1/4-20 PLT		
17.	175-428D	15' FD CUP SQ DRIVE BAR LH		
18.	817-074C	SEED CUP SLEEVE		
19.	890-190C	PM SEED CUP SPROCKET		
20.	800-009C	CLAMP HOSE 1 5/8 NO. 26		
21.	816-239C	SEED HOSE 56 RIBS X 11 LONG		
22.	801-057C	SCR SELF TAP 8X3/8 TYPE25 BT		
23.	817-073C	SEED CUP WASHER RETAINER		
24.	817-004C	NYLON WASHER-SPLIT		
25.	817-068C	SEED CUP LEFT HALF		
26.	817-070C	SEED CUP DOOR		
27.	817-069C	SEED CUP RIGHT HALF		
28.	817-071C	SEED CUP ADJUSTMENT HANDLE		
29.	800-107C	SNAP RING INT 2.165		
30.	800-004C	SNAP RING EXT BASIC 1 3/16		
31.	822-103C	BRG 30IDX55OD MM		
32.	118-336D	FEEDER CUP BRG HOUSING		
33.	118-508D	BRG HUB 40A15		

[Table of Contents](#) [Part Number Index](#)

10" Center Section Feeder Cup Tray Assy. Right Hand (195-409K)

(Applies to 3S-5000, 3S-5000HD only)



34997

10" Center Section Feeder Cup Tray Assy. Right Hand (195-409K)

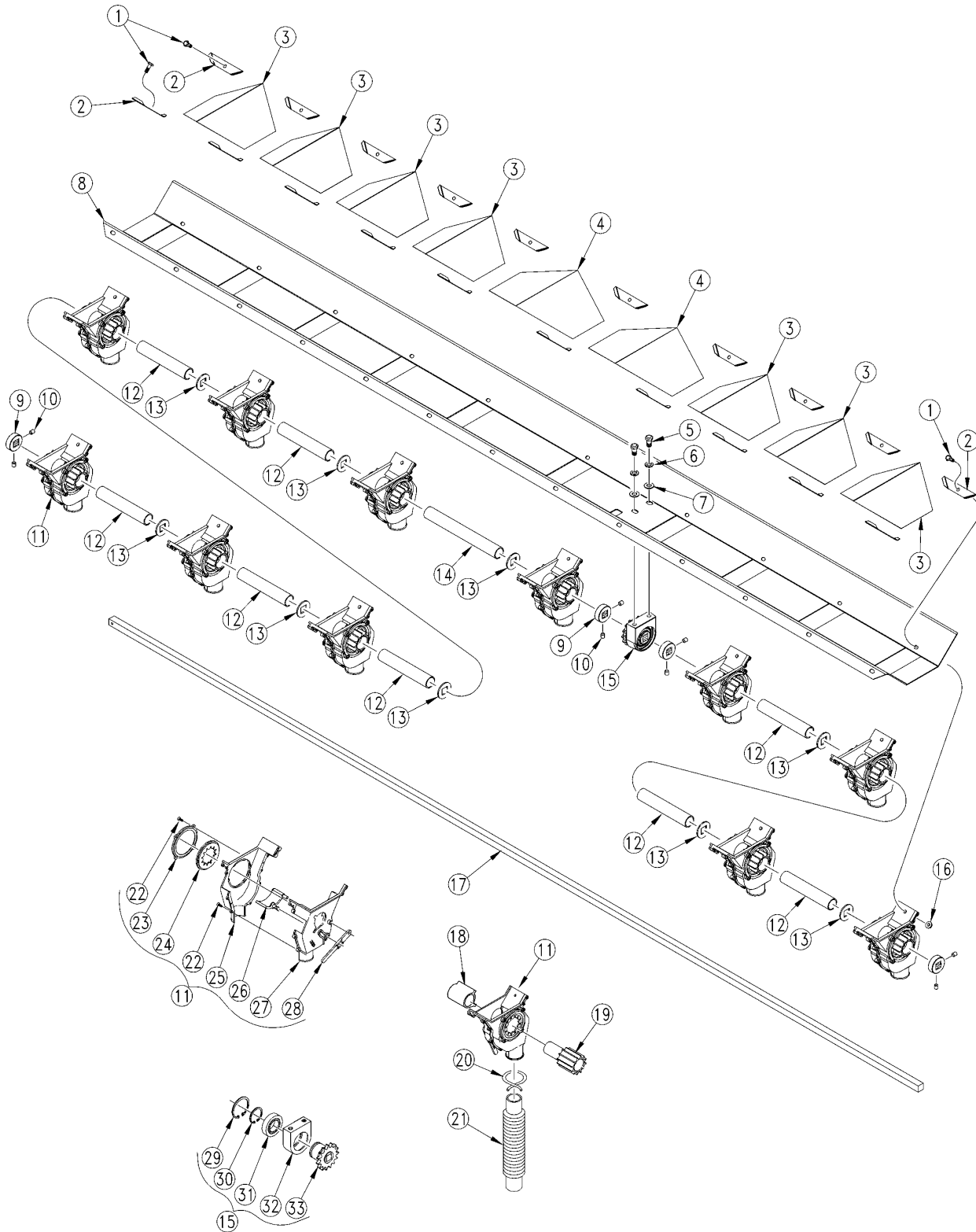
(Applies to 3S-5000, 3S-5000HD only)

Ref	Part No.	Part Description	Comments	Revision
	dwg34997	Image No.		
1.	118-341D	2SNT SEED BOX DIVIDER CLIP		
2.	118-373D	7 5/8 BOX DVDR FOR 8 ROW		
3.	118-371D	BOX DVDR 5.31 X 60DEG		
4.	802-004C	HHCS 1/4-20X3/4 GR5		
5.	195-370D	5000 18RW FEED CUP TRAY CEN RH		
6.	890-350C	5/8 SHAFT LOCKING COLLAR		
7.	801-035C	SCREW SET 5/16-18 SKT KP X 3/8		
8.	817-075C	SEED CUP ASSEMBLY	Includes items 21-27	
9.	118-067D	SPACER TUBE X 6.14		
10.	804-031C	WASHER RETAINING		
11.	805-023C	PIN ROLL 3/16X1 1/4 PLT		
12.	109-091D	MACHINED ADJUSTMENT SPOOL		
13.	118-375D	SPACER TUBE X 3.766		
14.	803-194C	NUT HEX WHIZ 1/4-20 PLT		
15.	175-429D	COUPLING 5/8 SQ.		
16.	175-428D	15' FD CUP SQ DRIVE BAR LH		
17.	817-074C	SEED CUP SLEEVE		
18.	890-190C	PM SEED CUP SPROCKET		
19.	800-009C	CLAMP HOSE 1 5/8 NO. 26		
20.	816-239C	SEED HOSE 56 RIBS X 11 LONG		
21.	801-057C	SCR SELF TAP 8X3/8 TYPE25 BT		
22.	817-073C	SEED CUP WASHER RETAINER		
23.	817-004C	NYLON WASHER-SPLIT		
24.	817-068C	SEED CUP LEFT HALF		
25.	817-070C	SEED CUP DOOR		
26.	817-069C	SEED CUP RIGHT HALF		
27.	817-071C	SEED CUP ADJUSTMENT HANDLE		

[Table of Contents](#) [Part Number Index](#)

10" Left Wing Feeder Cup Tray Assy. Left Hand (195-095K)

(Applies to 3S-5000, 3S-5000HD only)



34330

10" Left Wing Feeder Cup Tray Assy. Left Hand (195-095K)

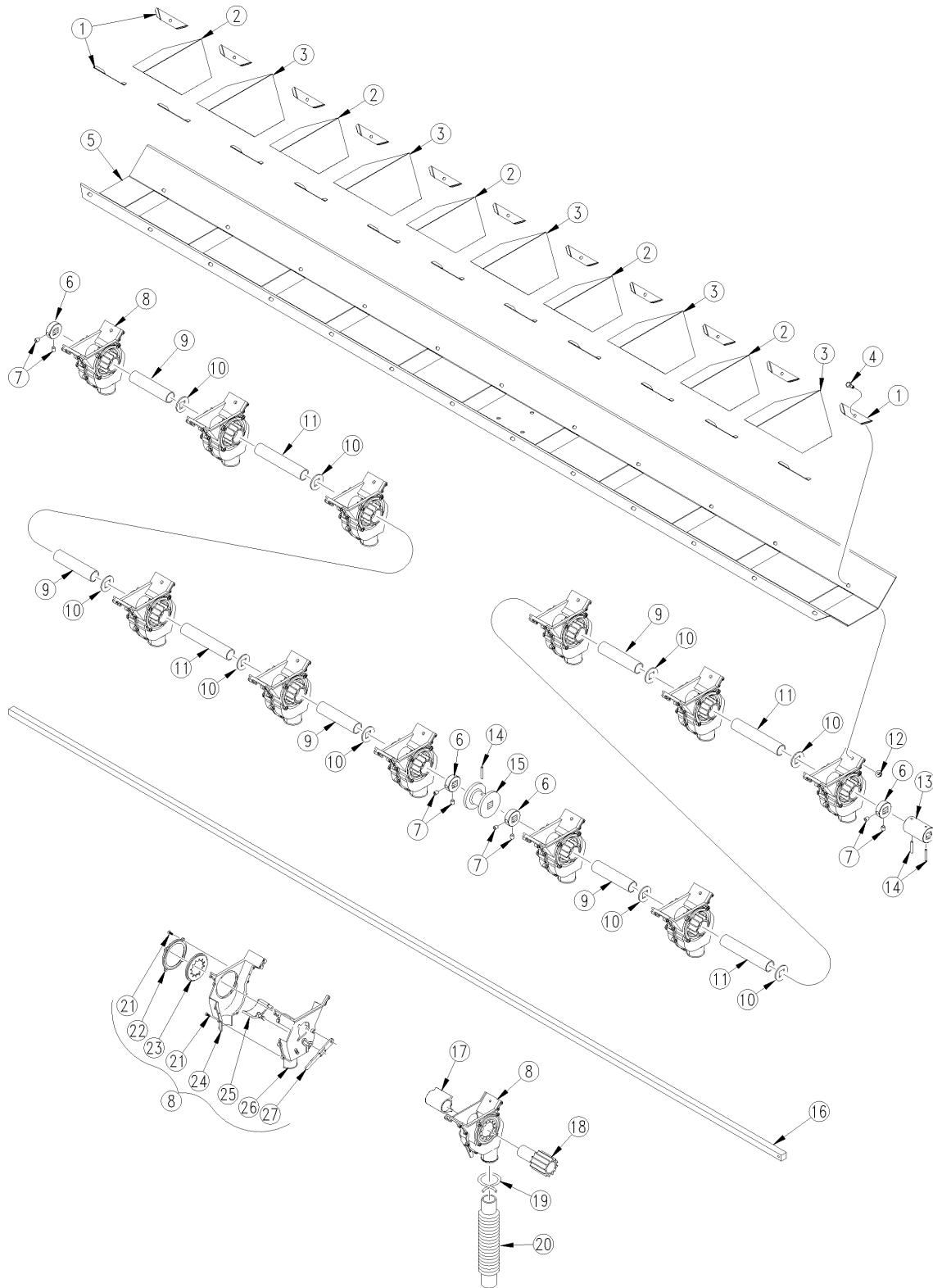
(Applies to 3S-5000, 3S-5000HD only)

Ref	Part No.	Part Description	Comments	Revision
	dwg34330	Image No.		
1.	802-004C	HHCS 1/4-20X3/4 GR5		
2.	118-341D	2SNT SEED BOX DIVIDER CLIP		
3.	118-338D	7 1/4 BOX DVDR FOR 7 1/2 ROW		
4.	118-641D	BOX DVDR 9.81 X 40 DEG		
5.	802-014C	HHCS 3/8-16X3/4 GR5		
6.	804-013C	WASHER LOCK SPRING 3/8 PLT		
7.	804-012C	WASHER FLAT 3/8 SAE PLT		
8.	195-371D	5000 21RW FEED CUP TRAY LH		
9.	890-350C	5/8 SHAFT LOCKING COLLAR		
10.	801-035C	SCREW SET 5/16-18 SKT KP X 3/8		
11.	817-075C	SEED CUP ASSEMBLY	Includes items 22-28	
12.	118-068D	SPACER TUBE X 5.71		
13.	804-031C	WASHER RETAINING		
14.	118-069D	SPACER TUBE X 8.46		
15.	118-226S	FEEDER CUP BRG ASSEMBLY	Includes items 29-33	
16.	803-194C	NUT HEX WHIZ 1/4-20 PLT		
17.	175-430D	17.5' FD CUP SQ DRIVE BAR		
18.	817-074C	SEED CUP SLEEVE		
19.	890-190C	PM SEED CUP SPROCKET		
20.	800-009C	CLAMP HOSE 1 5/8 NO. 26		
21.	816-239C	SEED HOSE 56 RIBS X 11 LONG		
22.	801-057C	SCR SELF TAP 8X3/8 TYPE25 BT		
23.	817-073C	SEED CUP WASHER RETAINER		
24.	817-004C	NYLON WASHER-SPLIT		
25.	817-068C	SEED CUP LEFT HALF		
26.	817-070C	SEED CUP DOOR		
27.	817-069C	SEED CUP RIGHT HALF		
28.	817-071C	SEED CUP ADJUSTMENT HANDLE		
29.	800-107C	SNAP RING INT 2.165		
30.	800-004C	SNAP RING EXT BASIC 1 3/16		
31.	822-103C	BRG 30IDX55OD MM		
32.	118-336D	FEEDER CUP BRG HOUSING		
33.	118-508D	BRG HUB 40A15		

Table of Contents Part Number Index

10" Left Wing Feeder Cup Tray Assy. Right Hand (195-410K)

(Applies to 3S-5000, 3S-5000HD only)



34996

10" Left Wing Feeder Cup Tray Assy. Right Hand (195-410K)

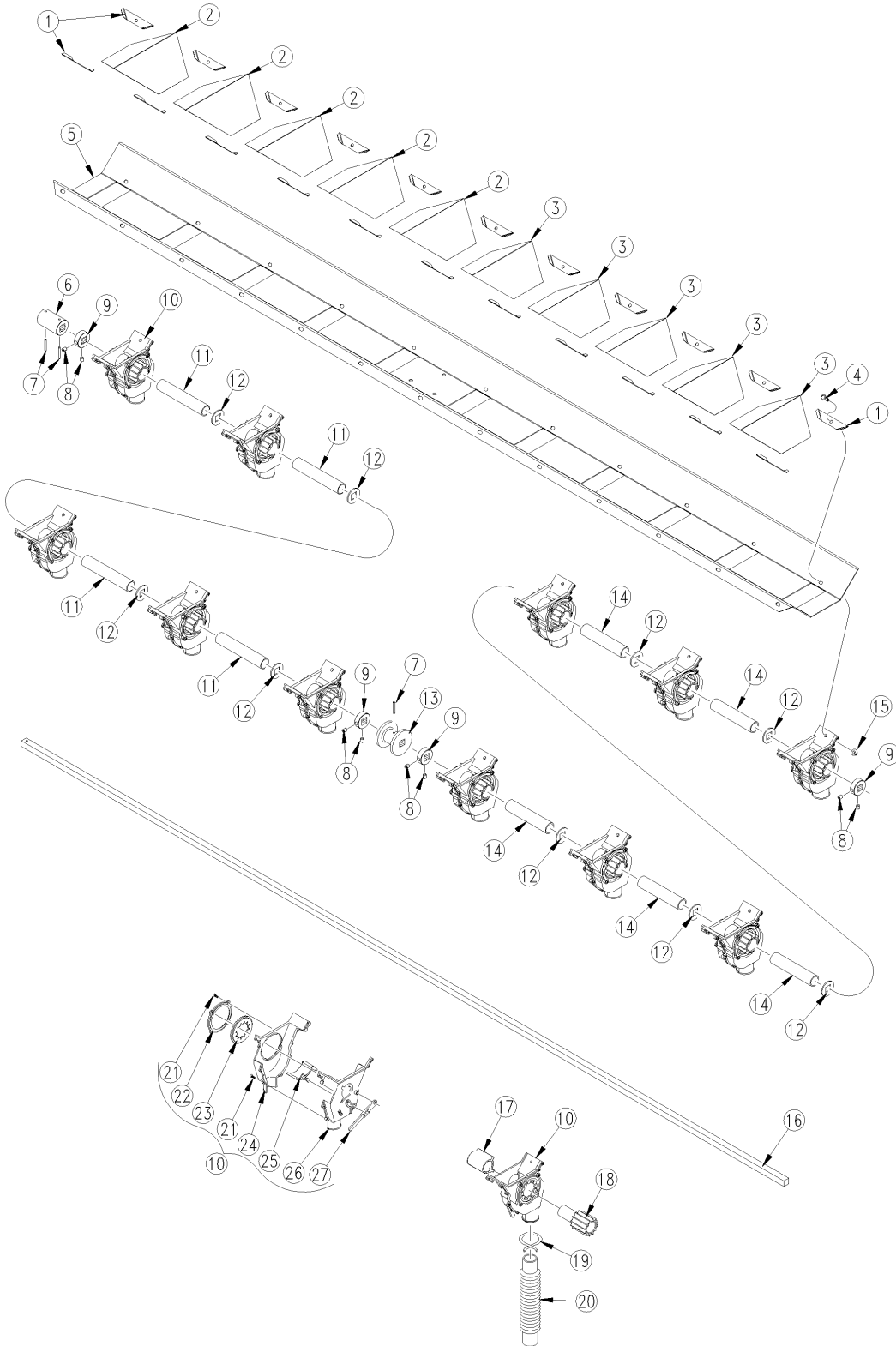
(Applies to 3S-5000, 3S-5000HD only)

Ref	Part No.	Part Description	Comments	Revision
	dwg34996	Image No.		
1.	118-341D	2SNT SEED BOX DIVIDER CLIP		
2.	118-372D	BOX DVDR 6.13 X 60DEG		
3.	118-338D	7 1/4 BOX DVDR FOR 7 1/2 ROW		
4.	802-004C	HHCS 1/4-20X3/4 GR5		
5.	195-372D	5000 21RW FEED CUP TRAY RH		
6.	890-350C	5/8 SHAFT LOCKING COLLAR		
7.	801-035C	SCREW SET 5/16-18 SKT KP X 3/8		
8.	817-075C	SEED CUP ASSEMBLY	Includes items 21-27	
9.	118-070D	SPACER TUBE X 4.59		
10.	804-031C	WASHER RETAINING		
11.	118-068D	SPACER TUBE X 5.71		
12.	803-194C	NUT HEX WHIZ 1/4-20 PLT		
13.	175-429D	COUPLING 5/8 SQ.		
14.	805-023C	PIN ROLL 3/16X1 1/4 PLT		
15.	109-091D	MACHINED ADJUSTMENT SPOOL		
16.	175-430D	17.5' FD CUP SQ DRIVE BAR		
17.	817-074C	SEED CUP SLEEVE		
18.	890-190C	PM SEED CUP SPROCKET		
19.	800-009C	CLAMP HOSE 1 5/8 NO. 26		
20.	816-239C	SEED HOSE 56 RIBS X 11 LONG		
21.	801-057C	SCR SELF TAP 8X3/8 TYPE25 BT		
22.	817-073C	SEED CUP WASHER RETAINER		
23.	817-004C	NYLON WASHER-SPLIT		
24.	817-068C	SEED CUP LEFT HALF		
25.	817-070C	SEED CUP DOOR		
26.	817-069C	SEED CUP RIGHT HALF		
27.	817-071C	SEED CUP ADJUSTMENT HANDLE		

Table of Contents Part Number Index

10" Right Wing Feeder Cup Tray Assy. Left Hand (195-408K)

(Applies to 3S-5000, 3S-5000HD only)



34999

10" Right Wing Feeder Cup Tray Assy. Left Hand (195-408K)

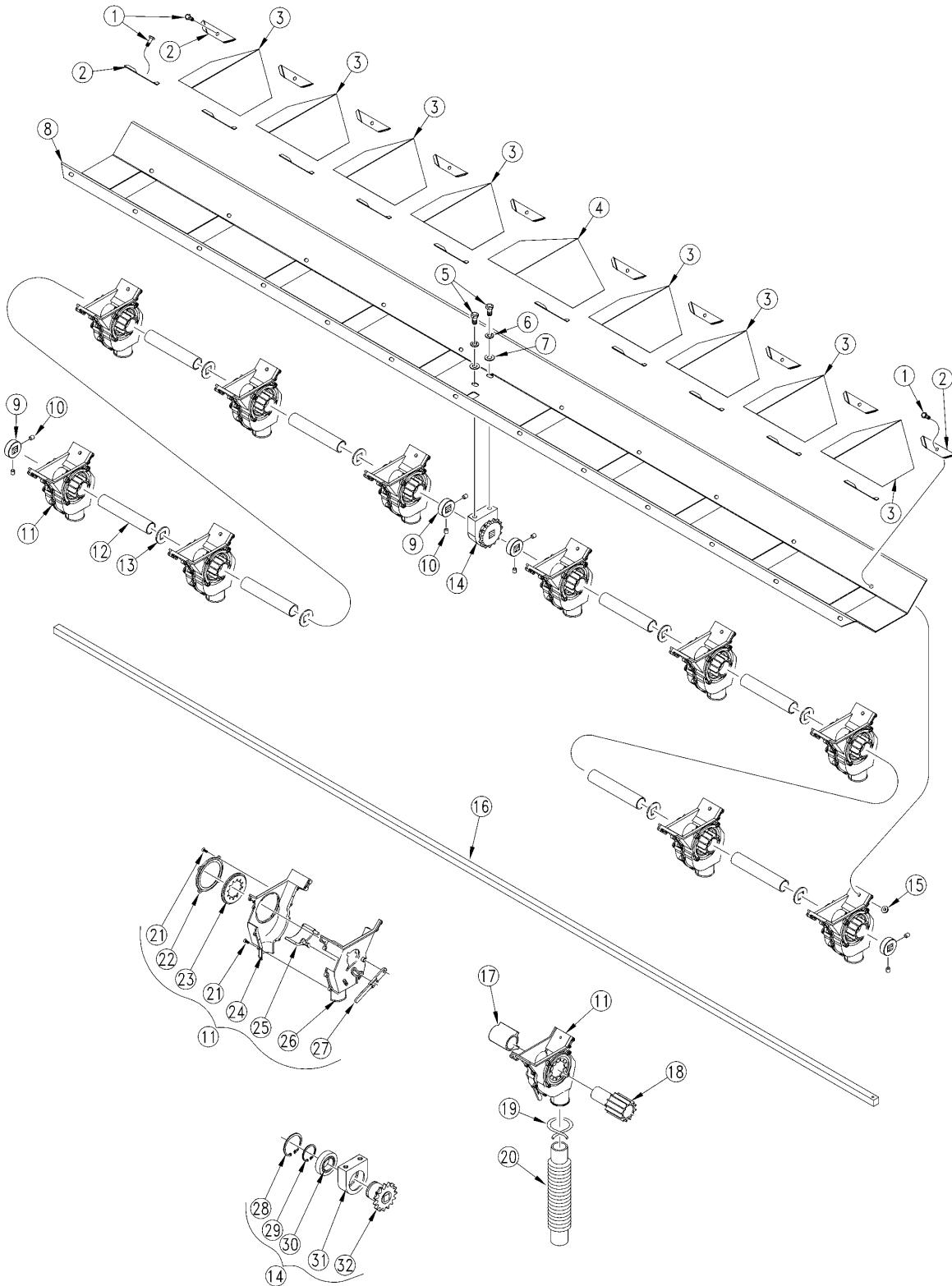
(Applies to 3S-5000, 3S-5000HD only)

Ref	Part No.	Part Description	Comments	Revision
	dwg34999	Image No.		
1.	118-341D	2SNT SEED BOX DIVIDER CLIP		
2.	118-338D	7 1/4 BOX DVDR FOR 7 1/2 ROW		
3.	118-432D	6 5/8 BOX DVDR FOR 8 1/2 ROW		
4.	802-004C	HHCS 1/4-20X3/4 GR5		
5.	195-373D	5000 21RW FEED CUP TRAY LH		
6.	175-429D	COUPLING 5/8 SQ.		
7.	805-023C	PIN ROLL 3/16X1 1/4 PLT		
8.	801-035C	SCREW SET 5/16-18 SKT KP X 3/8		
9.	890-350C	5/8 SHAFT LOCKING COLLAR		
10.	817-075C	SEED CUP ASSEMBLY	Includes items 21-27	
11.	118-068D	SPACER TUBE X 5.71		
12.	804-031C	WASHER RETAINING		
13.	109-091D	MACHINED ADJUSTMENT SPOOL		
14.	118-440D	SPACER TUBE X 5.079		
15.	803-194C	NUT HEX WHIZ 1/4-20 PLT		
16.	175-430D	17.5' FD CUP SQ DRIVE BAR		
17.	817-074C	SEED CUP SLEEVE		
18.	890-190C	PM SEED CUP SPROCKET		
19.	800-009C	CLAMP HOSE 1 5/8 NO. 26		
20.	816-239C	SEED HOSE 56 RIBS X 11 LONG		
21.	801-057C	SCR SELF TAP 8X3/8 TYPE25 BT		
22.	817-073C	SEED CUP WASHER RETAINER		
23.	817-007C	GRAIN LEVEL SIGHT GLASS		
24.	817-068C	SEED CUP LEFT HALF		
25.	817-070C	SEED CUP DOOR		
26.	817-069C	SEED CUP RIGHT HALF		
27.	817-071C	SEED CUP ADJUSTMENT HANDLE		

Table of Contents Part Number Index

10" Right Wing Feeder Cup Tray Assy. Right Hand (195-098K)

(Applies to 3S-5000, 3S-5000HD only)



34333

10" Right Wing Feeder Cup Tray Assy. Right Hand (195-098K)

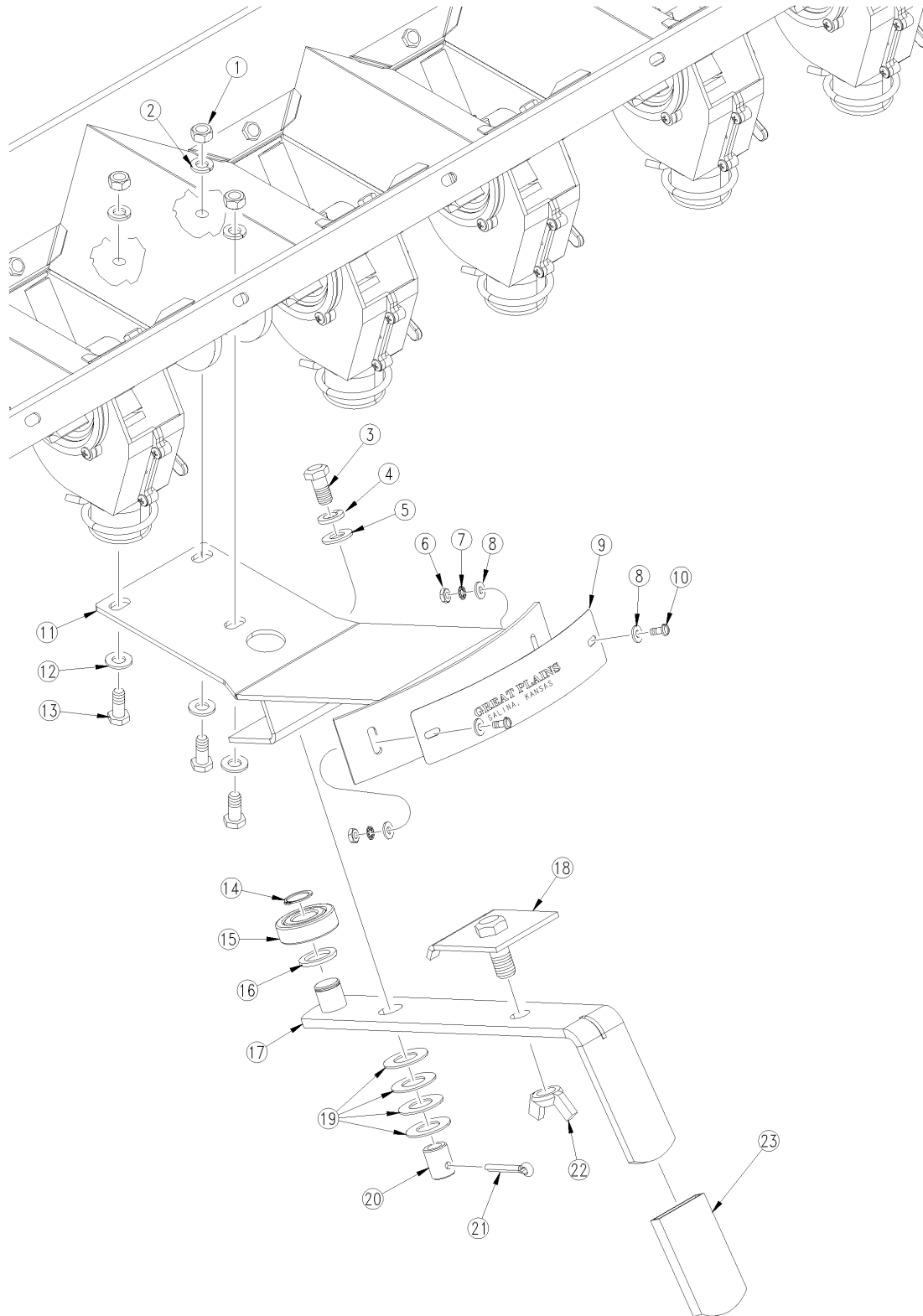
(Applies to 3S-5000, 3S-5000HD only)

Ref	Part No.	Part Description	Comments	Revision
	dwg34333	Image No.		
1.	802-004C	HHCS 1/4-20X3/4 GR5		
2.	118-341D	2SNT SEED BOX DIVIDER CLIP		
3.	118-338D	7 1/4 BOX DVDR FOR 7 1/2 ROW		
4.	118-641D	BOX DVDR 9.81 X 40 DEG		
5.	802-014C	HHCS 3/8-16X3/4 GR5		
6.	804-014C	WASHER LOCK 7/16 PLT		
7.	804-012C	WASHER FLAT 3/8 SAE PLT		
8.	195-374D	5000 21RW FEED CUP TRAY RH		
9.	890-350C	5/8 SHAFT LOCKING COLLAR		
10.	801-035C	SCREW SET 5/16-18 SKT KP X 3/8		
11.	817-075C	SEED CUP ASSEMBLY	Include items 21-27	
12.	118-068D	SPACER TUBE X 5.71		
13.	804-031C	WASHER RETAINING		
14.	118-226S	FEEDER CUP BRG ASSEMBLY	Includes items 28-32	
15.	803-194C	NUT HEX WHIZ 1/4-20 PLT		
16.	175-430D	17.5' FD CUP SQ DRIVE BAR		
17.	817-074C	SEED CUP SLEEVE		
18.	890-190C	PM SEED CUP SPROCKET		
19.	800-009C	CLAMP HOSE 1 5/8 NO. 26		
20.	816-239C	SEED HOSE 56 RIBS X 11 LONG		
21.	801-057C	SCR SELF TAP 8X3/8 TYPE25 BT		
22.	817-073C	SEED CUP WASHER RETAINER		
23.	817-004C	NYLON WASHER-SPLIT		
24.	817-068C	SEED CUP LEFT HALF		
25.	817-070C	SEED CUP DOOR		
26.	817-069C	SEED CUP RIGHT HALF		
27.	817-070C	SEED CUP DOOR		
28.	800-107C	SNAP RING INT 2.165		
29.	800-004C	SNAP RING EXT BASIC 1 3/16		
30.	822-103C	BRG 30IDX55OD MM		
31.	118-336D	FEEDER CUP BRG HOUSING		
32.	118-508D	BRG HUB 40A15		

[Table of Contents](#) [Part Number Index](#)

Feeder cup Adjustment Tray (195-254S)

(Applies to 3S-5000, 3S-5000HD only)



34984

Feeder cup Adjustment Tray (195-254S)

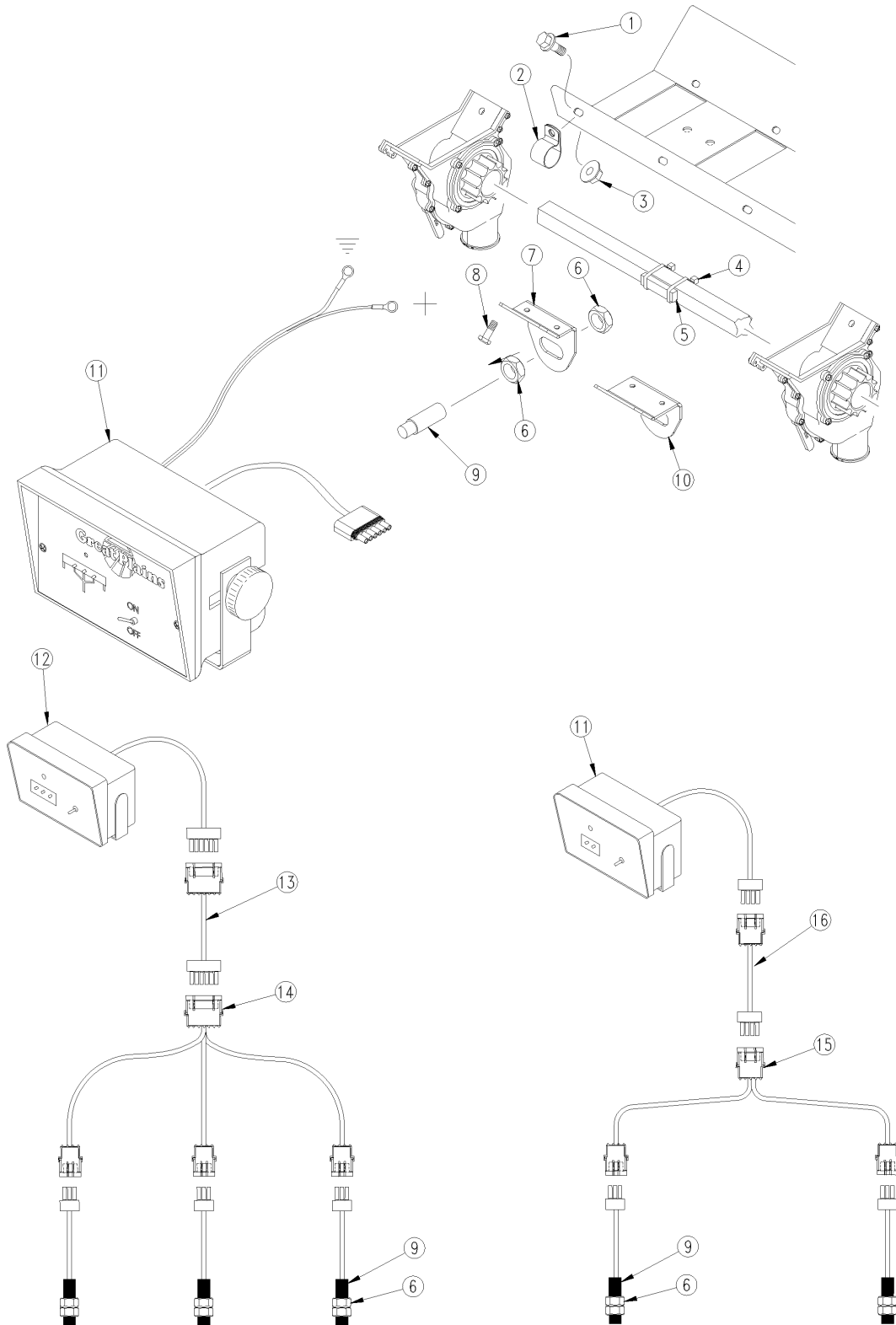
(Applies to 3S-5000, 3S-5000HD only)

Ref	Part No.	Part Description	Comments	Revision
	dwg34984	Image No.		
1.	803-008C	NUT HEX 5/16-18 PLT		
2.	804-009C	WASHER LOCK SPRING 5/16 PLT		
3.	802-014C	HHCS 3/8-16X3/4 GR5		
4.	804-013C	WASHER LOCK SPRING 3/8 PLT		
5.	804-012C	WASHER FLAT 3/8 SAE PLT		
6.	803-035C	NUT HEX 8-32 BRASS		
7.	804-002C	WASHER INTERNAL STAR #8 BRASS		
8.	804-003C	WASHER FLAT #8 BRASS		
9.	819-109C	REAR SEED ADJ GUIDE 6 3/4 LONG		
10.	801-001C	SCREW RD HD 8-32 X 3/8 BRASS		
11.	195-253H	REAR SEED RATE ADJ MOUNT WLDMT		
12.	804-036C	WASHER FLAT 5/16 SAE PLT		
13.	802-007C	HHCS 5/16-18X3/4 GR5		
14.	800-003C	SNAP RING EXT 17 MM		
15.	822-008C	BRG BALL 17IDX40OD 6203		
16.	804-001C	WASHER ADJ HANDLE BRG		
17.	118-443H	SEED RATE ADJ HANDLE WLDMNT		
18.	109-025H	ADJ LOCK PLATE ASS'Y - 1 1/2 W		
19.	804-040C	WASHER MACH 1.19 X .63 X 18GA		
20.	109-069D	ADJUSTMENT HANDLE PIVOT		
21.	805-016C	PIN COTTER 3/16 X 1 1/4 PLT		
22.	803-016C	NUT WING 1/2-13 PLT		
23.	816-509C	GRIP 1/4 X 1 1/2 X 3 LG		

[Table of Contents](#) [Part Number Index](#)

Loup Shaft Monitor (2 Channel 116-282A) (3 Channel 116-283A)

(Applies to 3S-5000, 3S-5000F, 3S-5000HD, 3S-5000HDF only)



34220

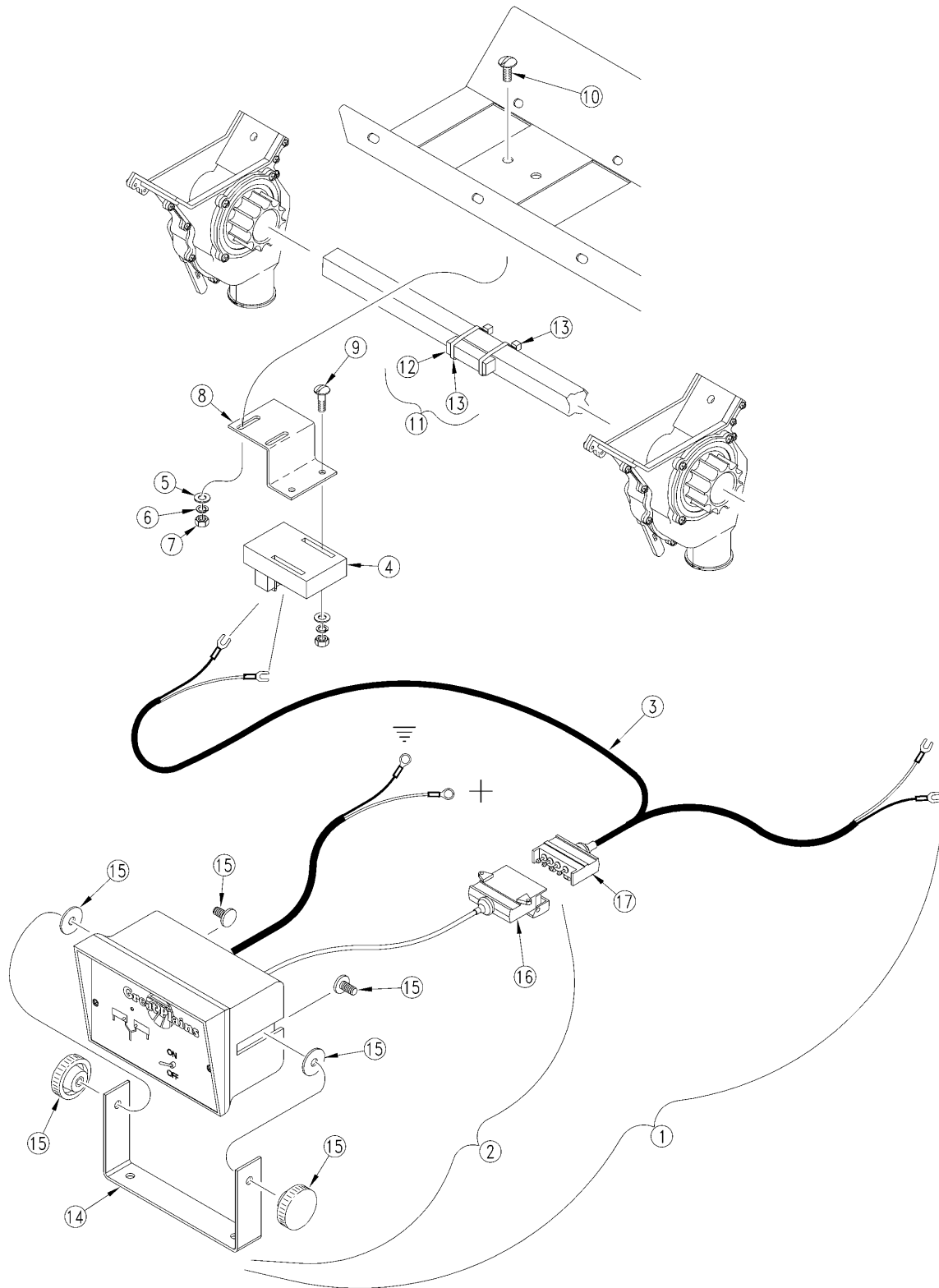
Loup Shaft Monitor (2 Channel 116-282A) (3 Channel 116-283A)

(Applies to 3S-5000, 3S-5000F, 3S-5000HD, 3S-5000HDF only)

Ref	Part No.	Part Description	Comments	Revision
	dwg34220	Image No.		
1.	802-257C	HFSS 1/4-20X3/4 GR5		
2.	800-052C	HOSE CLIP 5/8 I.D.		
3.	803-088C	NUT HEX LOCK 1/4-20 FLG		
4.	770026	CABLE TIE, NYLON		
5.	540017	MAGNET, ADHESIVE BACKED, LARGE		
6.	710425	NUT HEX JAM, PLASTIC M16 X 2		
7.	116-019D	SHAFT SENSOR MOUNT		
8.	801-199C	SCR SELF TAP #10 X 3/4		
9.	253100	LOUP SHAFT SENSOR 2&3 CHANNEL		
10.	116-020D	SMALL CUP SENSOR MOUNT		
11.	253017	LOUP 3 CHANNEL SHAFT MONITOR		
12.	253016	LOUP 2 CHANNEL SHAFT MONITOR		
13.	833-595C	SHAFT MONITOR EXT. 30' 6P WP		
14.	318951	HARNESS 3 SHAFT MONITOR LOUP		
15.	253017	LOUP 3 CHANNEL SHAFT MONITOR		
16.	833-596C	SHAFT MONITOR EXT. 25' 4P WP		
17.	318917	HARNESS 2 SHAFT MONITOR LOUP		

Vansco Shaft Monitor (Option)

(Applies to 3S-5000, 3S-5000F, 3S-5000HD, 3S-5000HDF only)



27009

Vansco Shaft Monitor (Option)

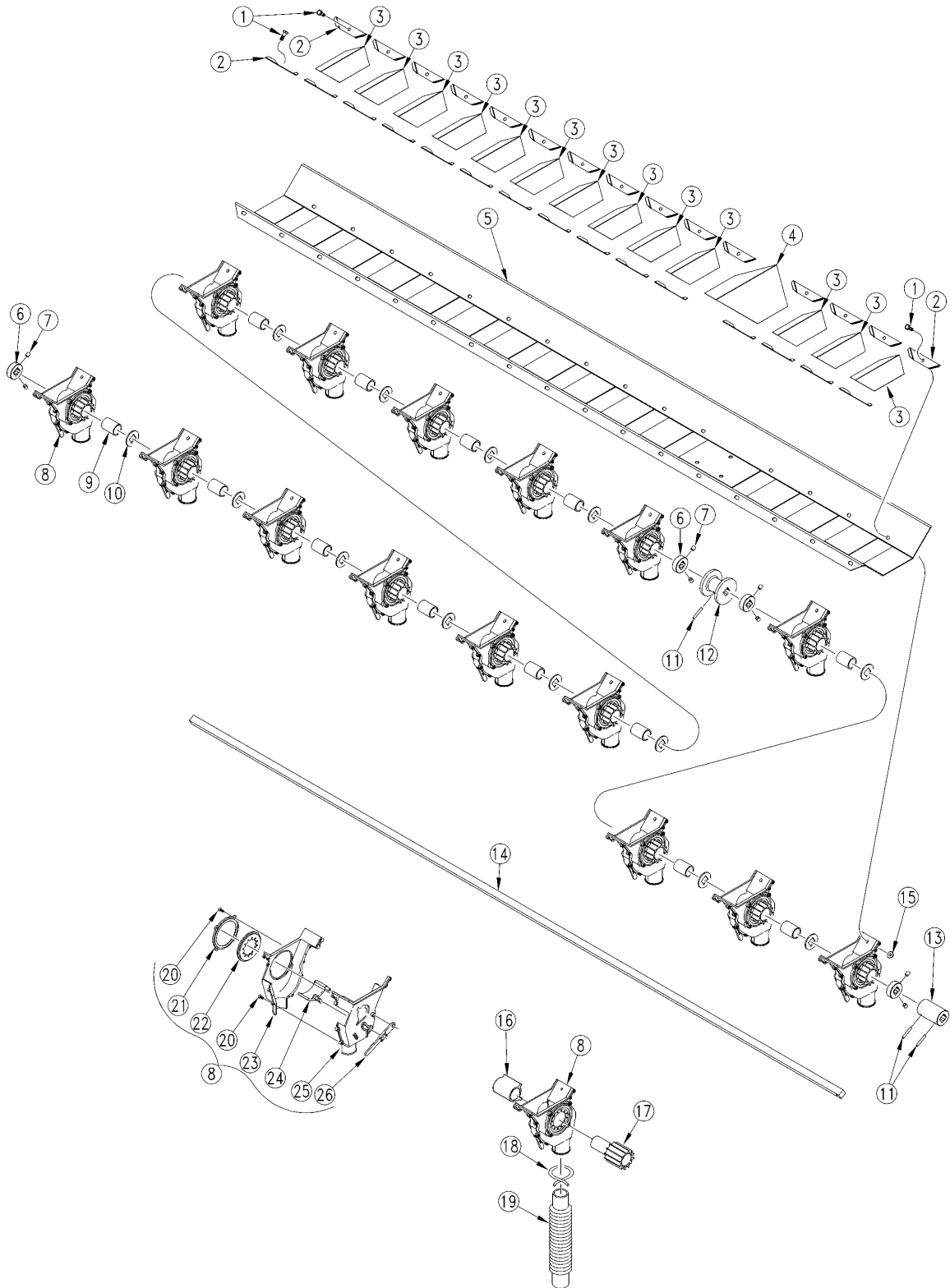
(Applies to 3S-5000, 3S-5000F, 3S-5000HD, 3S-5000HDF only)

Ref	Part No.	Part Description	Comments	Revision
	dwg27009	Image No.		
1.	823-059C	VANSCO 2 CHANNEL SHAFT MONITOR		
1.	823-060C	VANSCO 3 CHANNEL SHAFT MONITOR		
1.	823-076C	VANSCO 2 CHNL SHAFT MNTR-2SNT		
2.	253001	VANSCO CONTROL BOX ASSY 2 CH		
2.	253000	VANSCO CONTROL BOX ASSY 3 CH		
3.	253701	VANSCO HARNESS 2 CH 40FT		
3.	253700	VANSCO HARNESS 3 CH 60FT		
4.	VA-080002	REED SWITCH PICK-UP		
5.	804-088C	WASHER FLAT #8 SAE PLT		
6.	804-043C	WASHER LOCK #8		
7.	803-064C	NUT HEX 8-32		
8.	116-181D	VANSCO SWITCH BRACKET		
9.	801-067C	SCREW RD HD 8-32 X 1 1/2LG PLT		
10.	801-016C	SCREW RD HD 8-32 X 1/2 LG PLT		
11.	116-132K	VANSCO MAGNET & CABLE TIE ASSY		
12.	890-321C	VANSCO MAGNET		
13.	800-112C	CABLE TIE .19X7.25 1.75D 50LB		
14.	VA-VMM253501	MOUNTING BRACKET		
15.	VA-253307	VANSCO MOUNTING KNOB KIT		
16.	VA-JX-B77	BRYLITE CONSOLE END		
17.	VA-JX-B76	BRYLITE HARNESS END		

Table of Contents Part Number Index

6" Center Section Feeder Cup Tray Assy. Right Hand (195-083K) Fert. Only

(Applies to 3S-5000F, 3S-5000HDF only)



34313

6" Center Section Feeder Cup Tray Assy. Right Hand (195-083K) Fert. Only

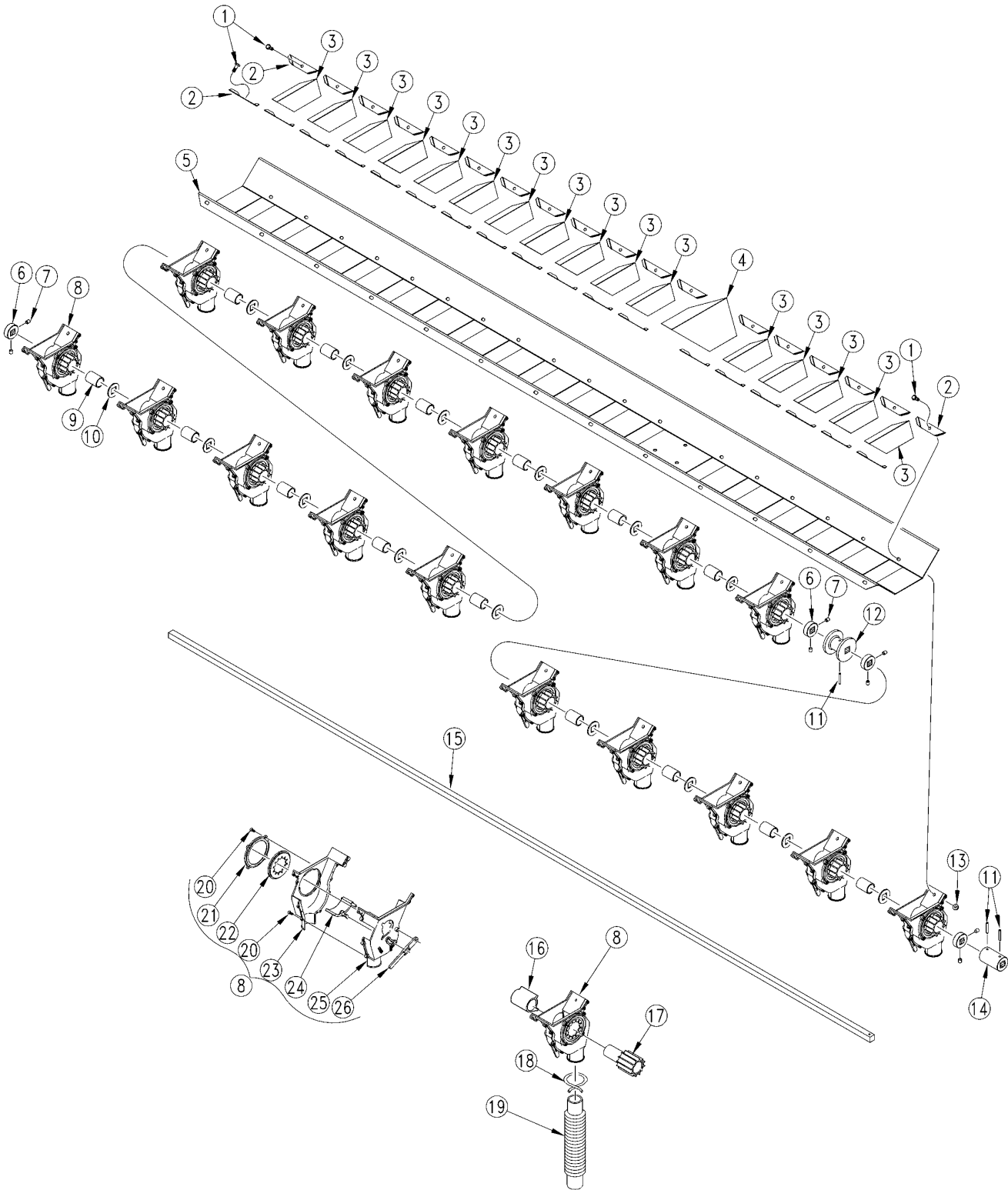
(Applies to 3S-5000F, 3S-5000HDF only)

Ref	Part No.	Part Description	Comments	Revision
	dwg34313	Image No.		
1.	802-004C	HHCS 1/4-20X3/4 GR5		
2.	118-341D	2SNT SEED BOX DIVIDER CLIP		
3.	118-431D	3 BOX DIVIDER FOR 4 7/8 ROW		
4.	118-432D	6 5/8 BOX DVDER FOR 8 1/2 ROW		
5.	195-359D	5000 30RW FEED CUP TRAY CEN RH		
6.	890-350C	5/8 SHAFT LOCKING COLLAR		
7.	801-035C	SCREW SET 5/16-18 SKT KP X 3/8		
8.	817-075C	SEED CUP ASSEMBLY	Includes items 20-26	
9.	118-434D	SPACER TUBE X 1.454		
10.	804-031C	WASHER RETAINING		
11.	805-023C	PIN ROLL 3/16X1 1/4 PLT		
12.	109-091D	MACHINED ADJUSTMENT SPOOL		
13.	175-429D	COUPLING 5/8 SQ.		
14.	175-428D	15' FD CUP SQ DRIVE BAR LH		
15.	803-194C	NUT HEX WHIZ 1/4-20 PLT		
16.	817-074C	SEED CUP SLEEVE		
17.	890-190C	PM SEED CUP SPROCKET		
18.	800-009C	CLAMP HOSE 1 5/8 NO. 26		
19.	816-239C	SEED HOSE 56 RIBS X 11 LONG		
20.	801-057C	SCR SELF TAP 8X3/8 TYPE25 BT		
21.	817-073C	SEED CUP WASHER RETAINER		
22.	817-004C	NYLON WASHER-SPLIT		
23.	817-068C	SEED CUP LEFT HALF		
24.	817-070C	SEED CUP DOOR		
25.	817-069C	SEED CUP RIGHT HALF		
26.	817-071C	SEED CUP ADJUSTMENT HANDLE		

Table of Contents Part Number Index

6" Left Wing Feeder Cup Tray Assy. Right Hand (195-084K) Fert. Only

(Applies to 3S-5000F, 3S-5000HDF only)



34314

6" Left Wing Feeder Cup Tray Assy. Right Hand (195-084K) Fert. Only

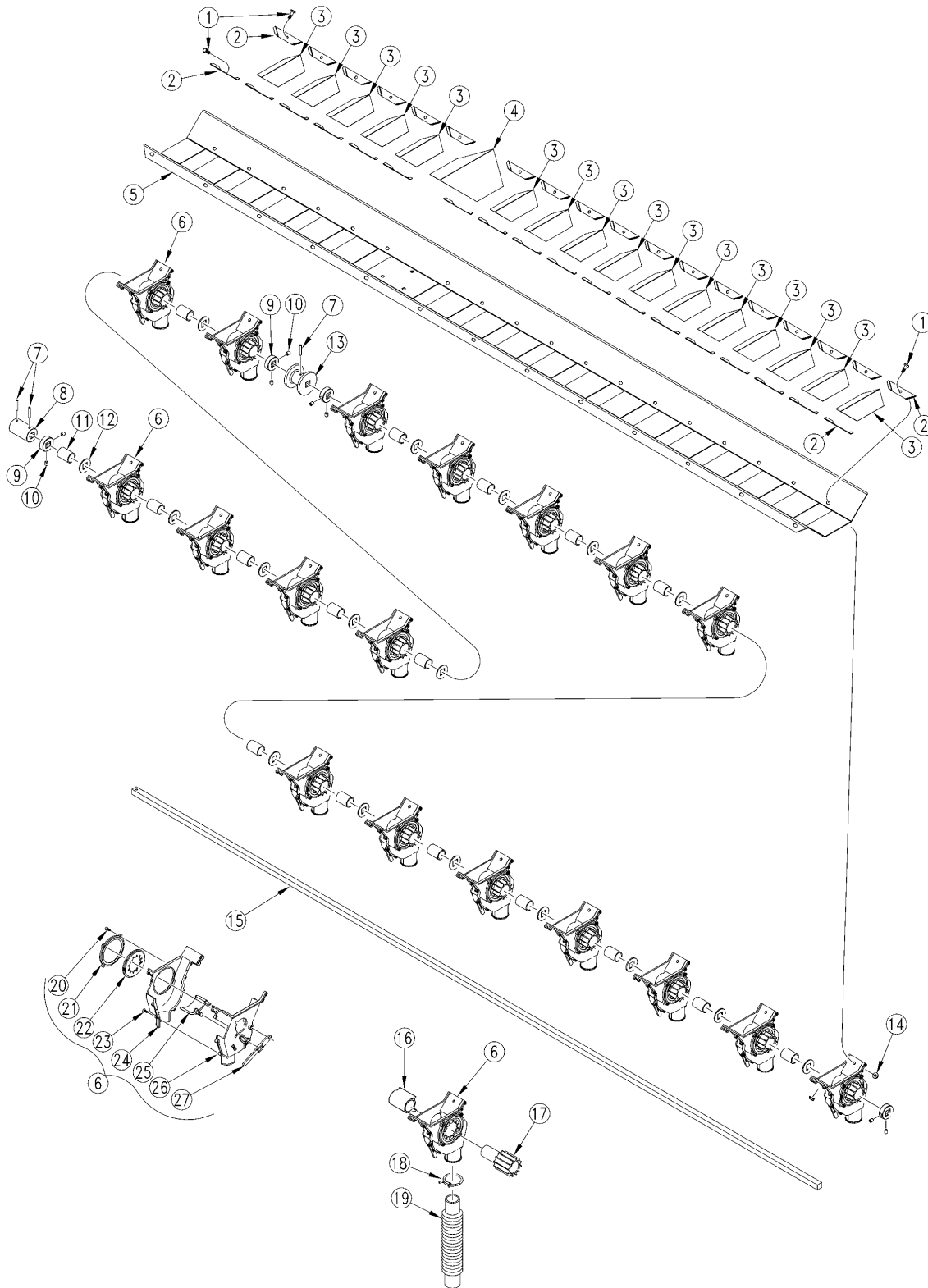
(Applies to 3S-5000F, 3S-5000HDF only)

Ref	Part No.	Part Description	Comments	Revision
	dwg34314	Image No.		
1.	802-004C	HHCS 1/4-20X3/4 GR5		
2.	118-341D	2SNT SEED BOX DIVIDER CLIP		
3.	118-431D	3 BOX DIVIDER FOR 4 7/8 ROW		
4.	118-432D	6 5/8 BOX DVDER FOR 8 1/2 ROW		
5.	195-360D	5000 35RW FEED CUP TRAY RH		
6.	890-350C	5/8 SHAFT LOCKING COLLAR		
7.	801-035C	SCREW SET 5/16-18 SKT KP X 3/8		
8.	817-075C	SEED CUP ASSEMBLY	Includes items 20-26	
9.	118-434D	SPACER TUBE X 1.454		
10.	804-031C	WASHER RETAINING		
11.	805-023C	PIN ROLL 3/16X1 1/4 PLT		
12.	109-091D	MACHINED ADJUSTMENT SPOOL		
13.	803-194C	NUT HEX WHIZ 1/4-20 PLT		
14.	175-429D	COUPLING 5/8 SQ.		
15.	175-430D	17.5' FD CUP SQ DRIVE BAR		
16.	817-074C	SEED CUP SLEEVE		
17.	890-190C	PM SEED CUP SPROCKET		
18.	800-009C	CLAMP HOSE 1 5/8 NO. 26		
19.	816-239C	SEED HOSE 56 RIBS X 11 LONG		
20.	801-057C	SCR SELF TAP 8X3/8 TYPE25 BT		
21.	817-073C	SEED CUP WASHER RETAINER		
22.	817-004C	NYLON WASHER-SPLIT		
23.	817-068C	SEED CUP LEFT HALF		
24.	817-070C	SEED CUP DOOR		
25.	817-069C	SEED CUP RIGHT HALF		
26.	817-071C	SEED CUP ADJUSTMENT HANDLE		

[Table of Contents](#) [Part Number Index](#)

6" Right Wing Feeder Cup Tray Assy. Left Hand (195-085K) Fert. Only

(Applies to 3S-5000F, 3S-5000HDF only)



34281

6" Right Wing Feeder Cup Tray Assy. Left Hand (195-085K) Fert. Only

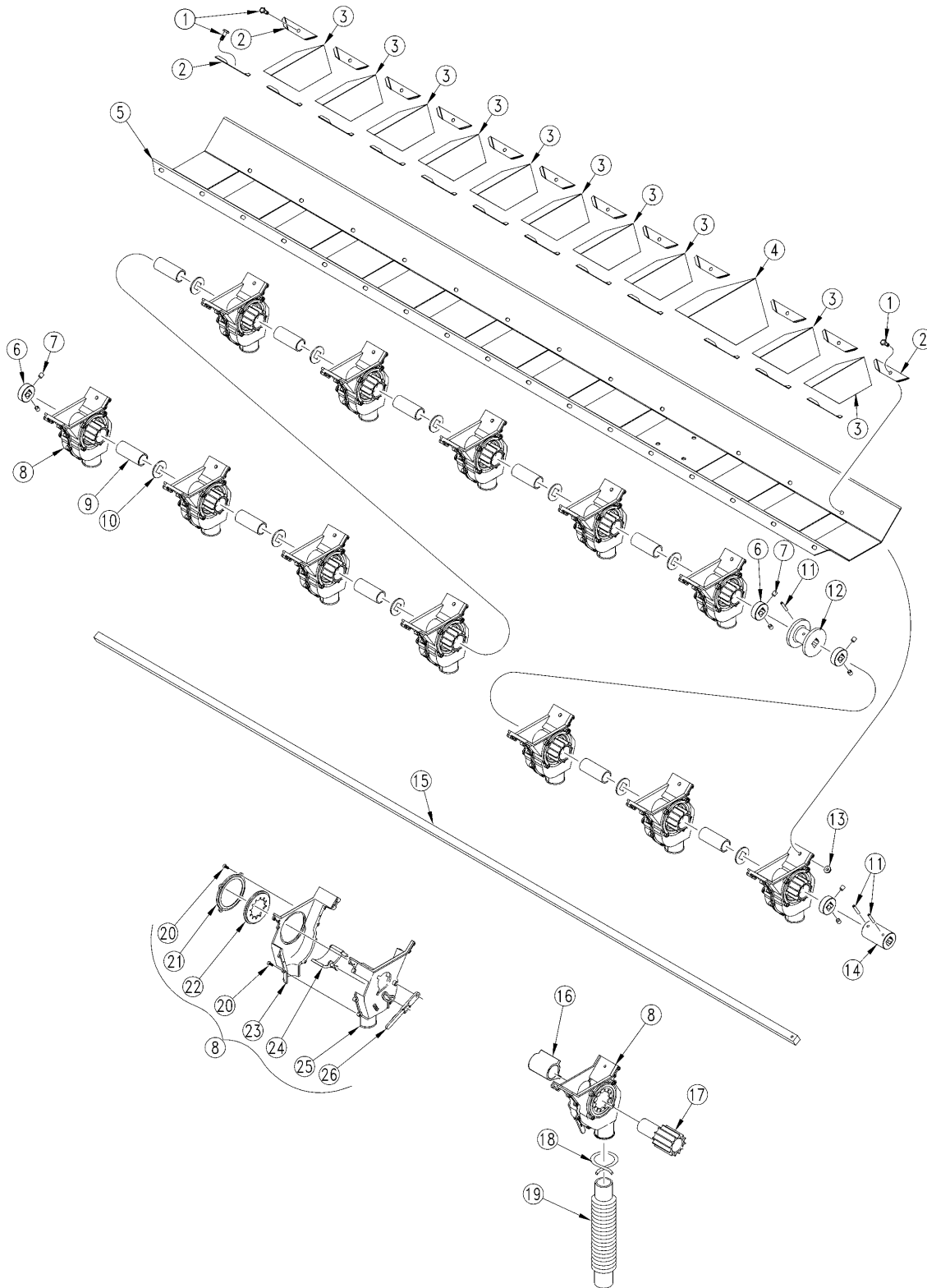
(Applies to 3S-5000F, 3S-5000HDF only)

Ref	Part No.	Part Description	Comments	Revision
	dwg34281	Image No.		
1.	802-004C	HHCS 1/4-20X3/4 GR5		
2.	118-341D	2SNT SEED BOX DIVIDER CLIP		
3.	118-431D	3 BOX DIVIDER FOR 4 7/8 ROW		
4.	118-432D	6 5/8 BOX DVDER FOR 8 1/2 ROW		
5.	195-361D	5000 35RW FEED CUP TRAY LH		
6.	817-075C	SEED CUP ASSEMBLY	Includes items 20-27	
7.	805-023C	PIN ROLL 3/16X1 1/4 PLT		
8.	175-429D	COUPLING 5/8 SQ.		
9.	890-350C	5/8 SHAFT LOCKING COLLAR		
10.	801-035C	SCREW SET 5/16-18 SKT KP X 3/8		
11.	118-434D	SPACER TUBE X 1.454		
12.	804-031C	WASHER RETAINING		
13.	109-091D	MACHINED ADJUSTMENT SPOOL		
14.	803-194C	NUT HEX WHIZ 1/4-20 PLT		
15.	175-430D	17.5' FD CUP SQ DRIVE BAR		
16.	817-074C	SEED CUP SLEEVE		
17.	890-190C	PM SEED CUP SPROCKET		
18.	800-009C	CLAMP HOSE 1 5/8 NO. 26		
19.	816-239C	SEED HOSE 56 RIBS X 11 LONG		
20.	801-057C	SCR SELF TAP 8X3/8 TYPE25 BT		
21.	817-073C	SEED CUP WASHER RETAINER		
22.	817-004C	NYLON WASHER-SPLIT		
23.	801-057C	SCR SELF TAP 8X3/8 TYPE25 BT		
24.	817-068C	SEED CUP LEFT HALF		
25.	817-070C	SEED CUP DOOR		
26.	817-069C	SEED CUP RIGHT HALF		
27.	817-071C	SEED CUP ADJUSTMENT HANDLE		

[Table of Contents](#) [Part Number Index](#)

7.5" Center Section Feeder Cup Tray Assy. Right Hand (195-088K) Fert. Only

(Applies to 3S-5000F, 3S-5000HDF only)



34317

7.5" Center Section Feeder Cup Tray Assy. Right Hand (195-088K) Fert. Only

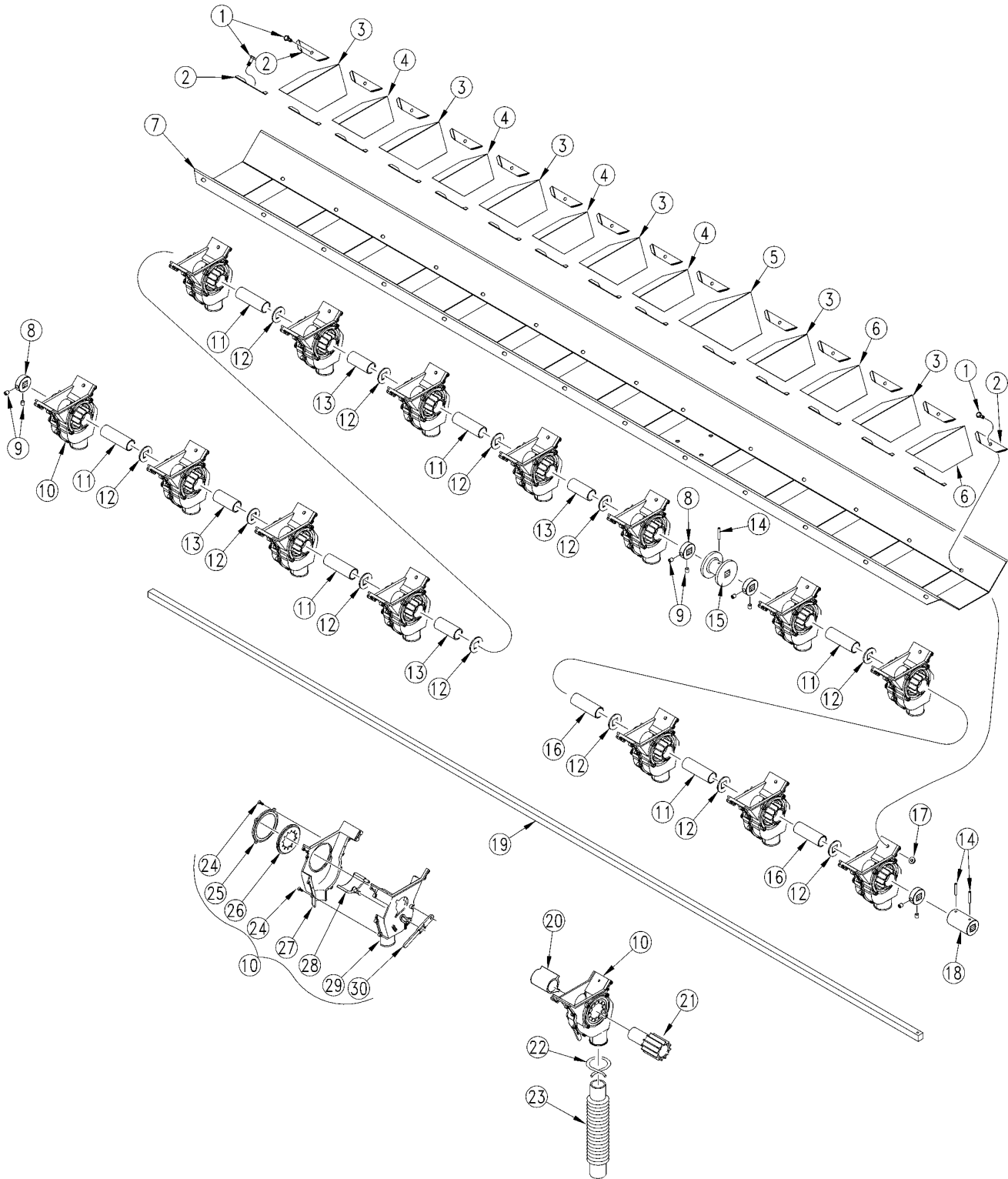
(Applies to 3S-5000F, 3S-5000HDF only)

Ref	Part No.	Part Description	Comments	Revision
	dwg34317	Image No.		
1.	802-004C	HHCS 1/4-20X3/4 GR5		
2.	118-341D	2SNT SEED BOX DIVIDER CLIP		
3.	118-066D	BOX DVDR 4.13 X 60 DEG		
4.	118-467D	7 1/16 BOX DIVIDER - 7 1/2		
5.	195-364D	5000 24RW FEED CUP TRAY CEN RH		
6.	890-350C	5/8 SHAFT LOCKING COLLAR		
7.	801-035C	SCREW SET 5/16-18 SKT KP X 3/8		
8.	817-075C	SEED CUP ASSEMBLY	Includes items 20-26	
9.	118-065D	SPACER TUBE 2.584		
10.	804-031C	WASHER RETAINING		
11.	805-023C	PIN ROLL 3/16X1 1/4 PLT		
12.	109-091D	MACHINED ADJUSTMENT SPOOL		
13.	803-194C	NUT HEX WHIZ 1/4-20 PLT		
14.	175-429D	COUPLING 5/8 SQ.		
15.	175-428D	15' FD CUP SQ DRIVE BAR LH		
16.	817-074C	SEED CUP SLEEVE		
17.	890-190C	PM SEED CUP SPROCKET		
18.	800-009C	CLAMP HOSE 1 5/8 NO. 26		
19.	816-239C	SEED HOSE 56 RIBS X 11 LONG		
20.	801-057C	SCR SELF TAP 8X3/8 TYPE25 BT		
21.	817-073C	SEED CUP WASHER RETAINER		
22.	817-004C	NYLON WASHER-SPLIT		
23.	817-068C	SEED CUP LEFT HALF		
24.	817-070C	SEED CUP DOOR		
25.	817-069C	SEED CUP RIGHT HALF		
26.	817-071C	SEED CUP ADJUSTMENT HANDLE		

Table of Contents Part Number Index

7.5" Left Wing Feeder Cup Tray Assy. Right Hand (195-090K) Fert. Only

(Applies to 3S-5000F, 3S-5000HDF only)



34323

7.5" Left Wing Feeder Cup Tray Assy. Right Hand (195-090K) Fert. Only

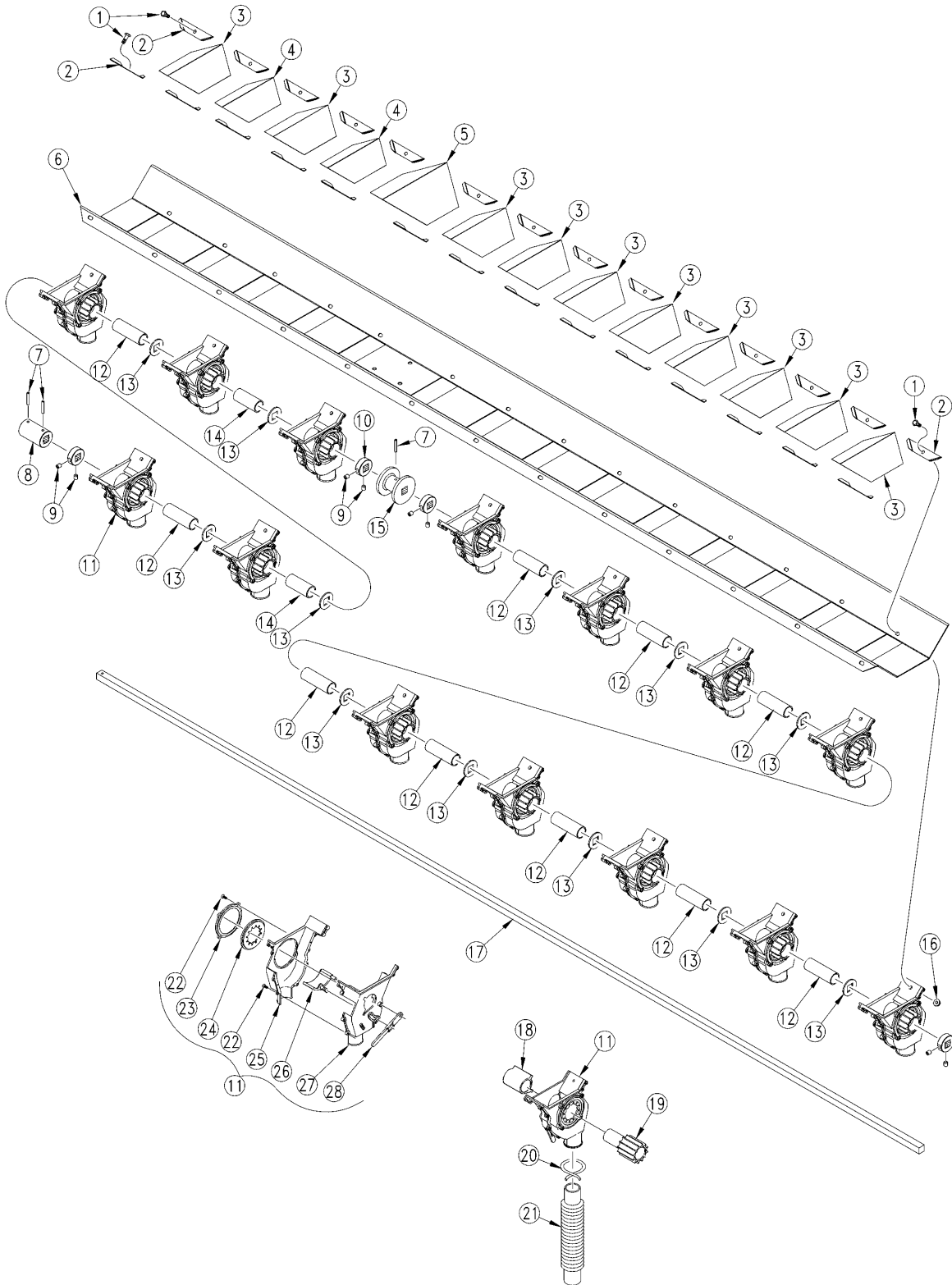
(Applies to 3S-5000F, 3S-5000HDF only)

Ref	Part No.	Part Description	Comments	Revision
	dwg34323	Image No.		
1.	802-004C	HHCS 1/4-20X3/4 GR5		
2.	118-341D	2SNT SEED BOX DIVIDER CLIP		
3.	118-339D	4 13/16 BOX DVDR FOR 7 1/2 ROW		
4.	118-433D	BOX DVDR 4.00 X 60DEG		
5.	118-432D	6 5/8 BOX DVDR FOR 8 1/2 ROW		
6.	118-376D	SPACER TUBE X 3.078		
7.	195-366D	5000 28RW FEED CUP TRAY RH		
8.	890-350C	5/8 SHAFT LOCKING COLLAR		
9.	800-035C	CABLE TIE .31X28 8DIA 120LB		
10.	817-075C	SEED CUP ASSEMBLY	Includes items 24-30	
11.	118-347D	SPACER TUBE X 3.266		
12.	804-031C	WASHER RETAINING		
13.	118-436D	SPACER TUBE X 2.470		
14.	805-023C	PIN ROLL 3/16X1 1/4 PLT		
15.	109-091D	MACHINED ADJUSTMENT SPOOL		
16.	118-376D	SPACER TUBE X 3.078		
17.	803-194C	NUT HEX WHIZ 1/4-20 PLT		
18.	175-429D	COUPLING 5/8 SQ.		
19.	175-430D	17.5' FD CUP SQ DRIVE BAR		
20.	817-074C	SEED CUP SLEEVE		
21.	890-190C	PM SEED CUP SPROCKET		
22.	800-009C	CLAMP HOSE 1 5/8 NO. 26		
23.	816-239C	SEED HOSE 56 RIBS X 11 LONG		
24.	807-057C	SPLIT PACKER COULTER SPRG BAR		
25.	817-073C	SEED CUP WASHER RETAINER		
26.	817-004C	NYLON WASHER-SPLIT		
27.	817-068C	SEED CUP LEFT HALF		
28.	817-070C	SEED CUP DOOR		
29.	817-069C	SEED CUP RIGHT HALF		
30.	817-071C	SEED CUP ADJUSTMENT HANDLE		

Table of Contents Part Number Index

7.5" Right Wing Feeder Cup Tray Assy. Left Hand (195-091K) Fert. Only

(Applies to 3S-5000F, 3S-5000HDF only)



34324

7.5" Right Wing Feeder Cup Tray Assy. Left Hand (195-091K) Fert. Only

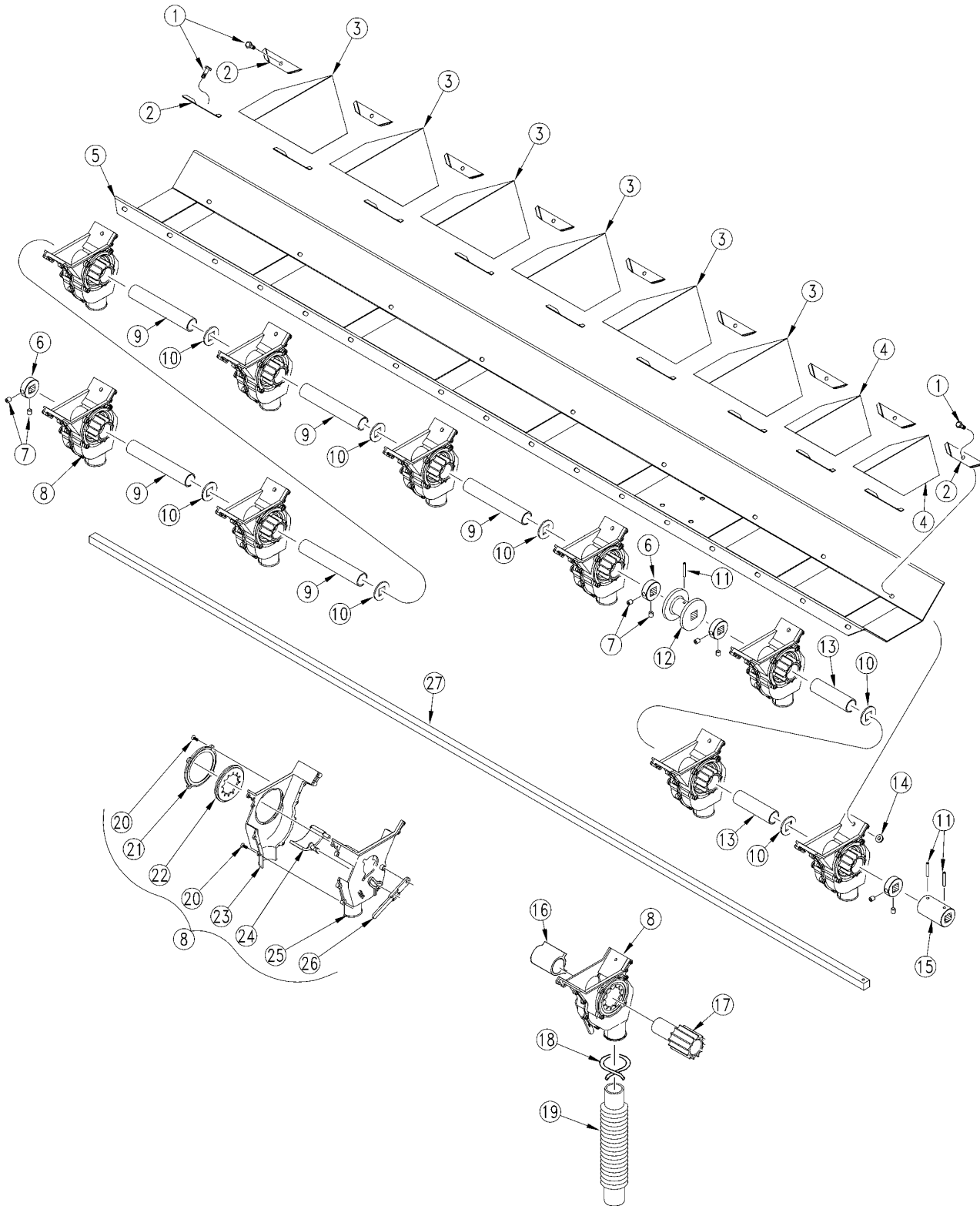
(Applies to 3S-5000F, 3S-5000HDF only)

Ref	Part No.	Part Description	Comments	Revision
	dwg34324	Image No.		
1.	804-004C	WASHER INTERNAL STAR #10 PLT		
2.	118-341D	2SNT SEED BOX DIVIDER CLIP		
3.	118-370D	4 5/8 BOX DVDR FOR 8 ROW		
4.	118-376D	SPACER TUBE X 3.078		
5.	118-432D	6 5/8 BOX DVDR FOR 8 1/2 ROW		
6.	196-367D	RPBY 197-262D		
7.	805-023C	PIN ROLL 3/16X1 1/4 PLT		
8.	175-429D	COUPLING 5/8 SQ.		
9.	801-035C	SCREW SET 5/16-18 SKT KP X 3/8		
10.	890-350C	5/8 SHAFT LOCKING COLLAR		
11.	817-075C	SEED CUP ASSEMBLY	Includes items 22-28	
12.	118-376D	SPACER TUBE X 3.078		
13.	804-031C	WASHER RETAINING		
14.	118-436D	SPACER TUBE X 2.470		
15.	109-091D	MACHINED ADJUSTMENT SPOOL		
16.	803-194C	NUT HEX WHIZ 1/4-20 PLT		
17.	175-430D	17.5' FD CUP SQ DRIVE BAR		
18.	817-074C	SEED CUP SLEEVE		
19.	890-190C	PM SEED CUP SPROCKET		
20.	800-009C	CLAMP HOSE 1 5/8 NO. 26		
21.	816-239C	SEED HOSE 56 RIBS X 11 LONG		
22.	801-057C	SCR SELF TAP 8X3/8 TYPE25 BT		
23.	807-073C	SPRING HOSE LOOP HEAVY		
24.	817-004C	NYLON WASHER-SPLIT		
25.	817-068C	SEED CUP LEFT HALF		
26.	817-070C	SEED CUP DOOR		
27.	817-069C	SEED CUP RIGHT HALF		
28.	817-071C	SEED CUP ADJUSTMENT HANDLE		

Table of Contents Part Number Index

10" Center Section Feeder Cup Tray Assy. Right Hand (195-094K) Fert. Only

(Applies to 3S-5000F, 3S-5000HDF only)



34329

10" Center Section Feeder Cup Tray Assy. Right Hand (195-094K) Fert. Only

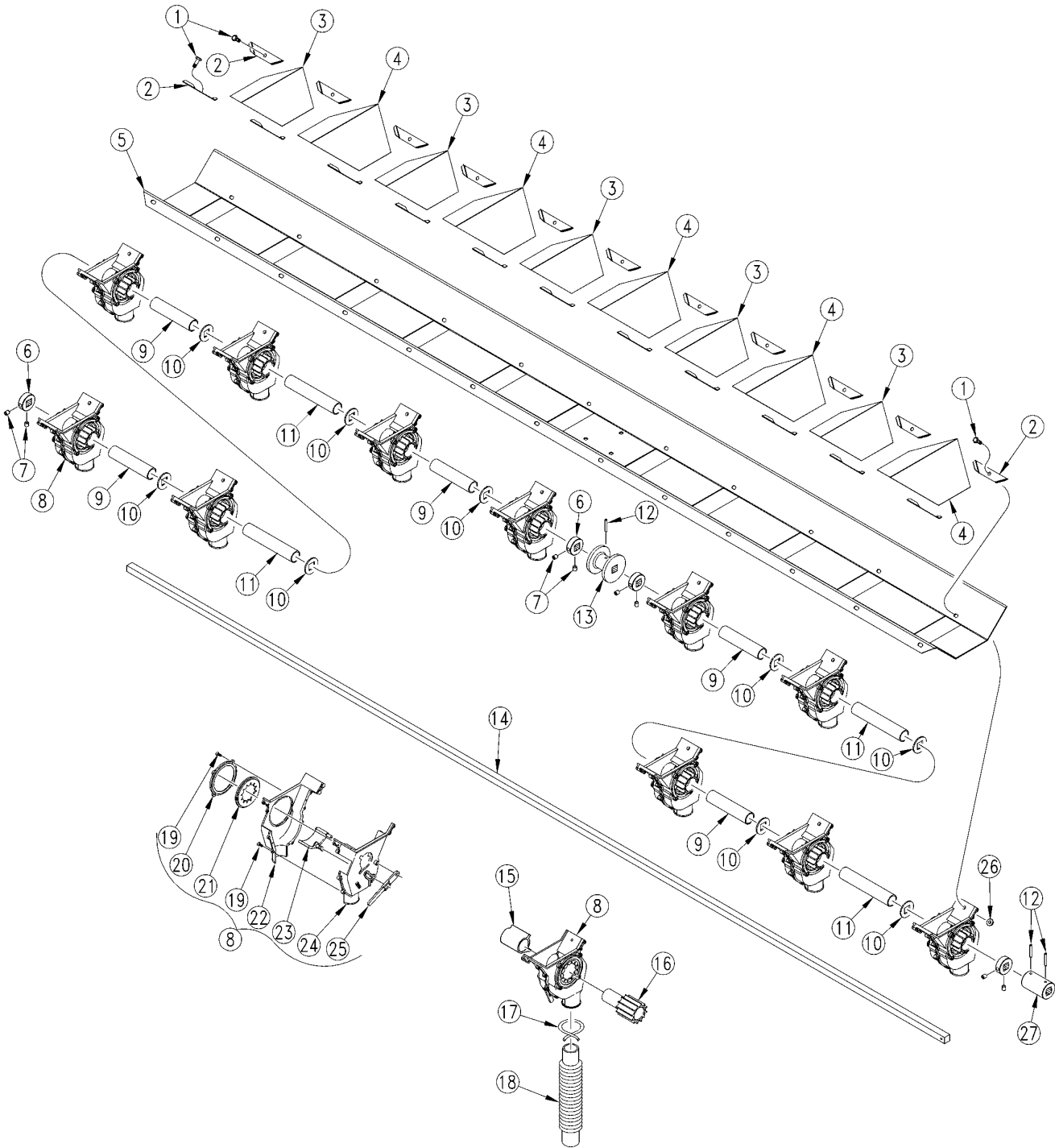
(Applies to 3S-5000F, 3S-5000HDF only)

Ref	Part No.	Part Description	Comments	Revision
	dwg34329	Image No.		
1.	802-004C	HHCS 1/4-20X3/4 GR5		
2.	118-341D	2SNT SEED BOX DIVIDER CLIP		
3.	118-373D	7 5/8 BOX DVDR FOR 8 ROW		
4.	118-371D	BOX DVDR 5.31 X 60DEG		
5.	195-370D	5000 18RW FEED CUP TRAY CEN RH		
6.	890-350C	5/8 SHAFT LOCKING COLLAR		
7.	801-035C	SCREW SET 5/16-18 SKT KP X 3/8		
8.	817-075C	SEED CUP ASSEMBLY	Includes items 20-26	
9.	118-067D	SPACER TUBE X 6.14		
10.	804-031C	WASHER RETAINING		
11.	805-023C	PIN ROLL 3/16X1 1/4 PLT		
12.	109-091D	MACHINED ADJUSTMENT SPOOL		
13.	118-375D	SPACER TUBE X 3.766		
14.	803-194C	NUT HEX WHIZ 1/4-20 PLT		
15.	175-429D	COUPLING 5/8 SQ.		
16.	890-190C	PM SEED CUP SPROCKET		
17.	817-074C	SEED CUP SLEEVE		
18.	800-009C	CLAMP HOSE 1 5/8 NO. 26		
19.	816-239C	SEED HOSE 56 RIBS X 11 LONG		
20.	801-057C	SCR SELF TAP 8X3/8 TYPE25 BT		
21.	817-073C	SEED CUP WASHER RETAINER		
22.	817-004C	NYLON WASHER-SPLIT		
23.	817-068C	SEED CUP LEFT HALF		
24.	817-070C	SEED CUP DOOR		
25.	817-069C	SEED CUP RIGHT HALF		
26.	817-071C	SEED CUP ADJUSTMENT HANDLE		
27.	175-428D	15' FD CUP SQ DRIVE BAR LH		

Table of Contents Part Number Index

10" Left Wing Feeder Cup Tray Assy. Right Hand (195-096K) Fert. Only

(Applies to 3S-5000F, 3S-5000HDF only)



34331

10" Left Wing Feeder Cup Tray Assy. Right Hand (195-096K) Fert. Only

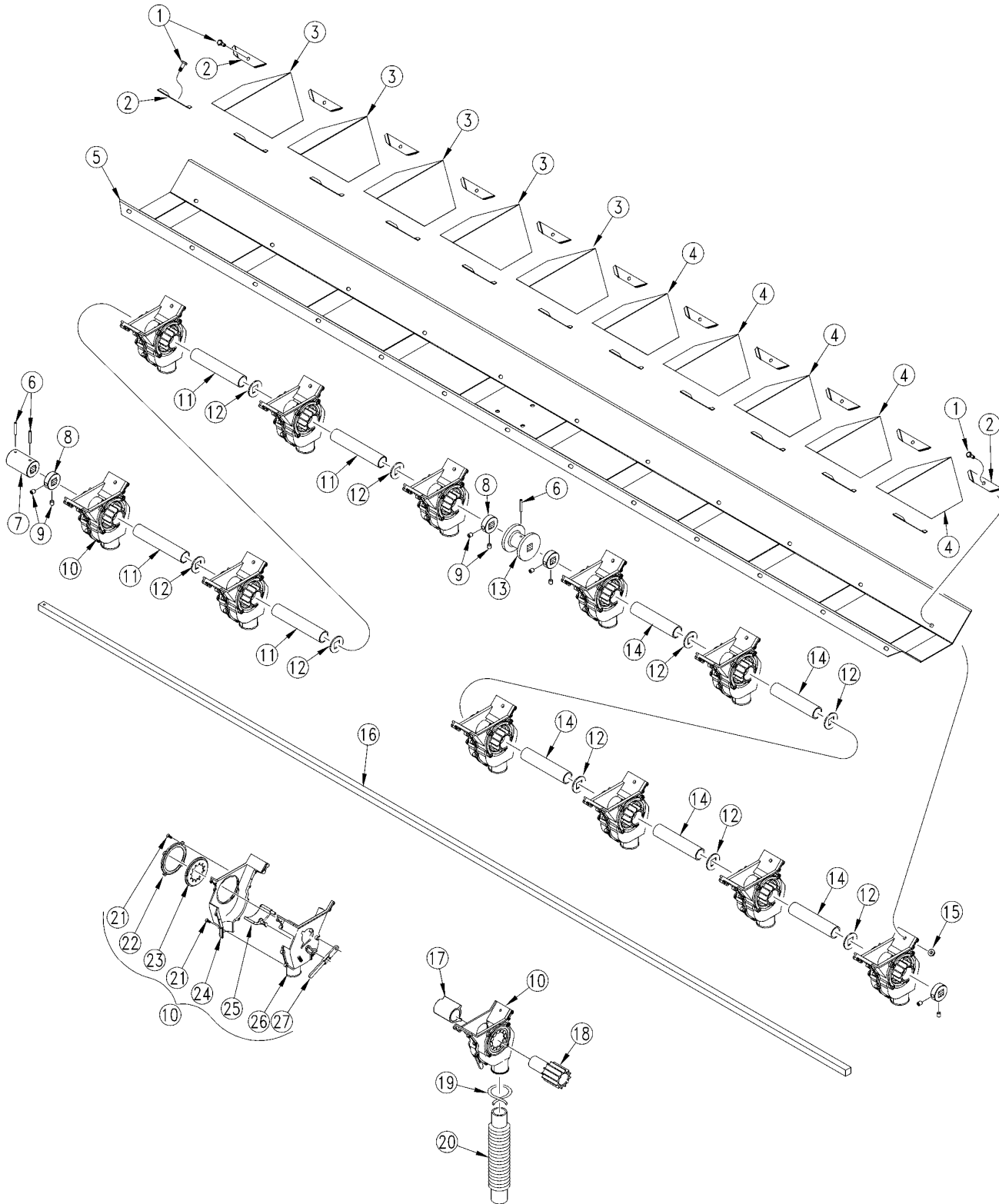
(Applies to 3S-5000F, 3S-5000HDF only)

Ref	Part No.	Part Description	Comments	Revision
	dwg34331	Image No.		
1.	802-004C	HHCS 1/4-20X3/4 GR5		
2.	118-341D	2SNT SEED BOX DIVIDER CLIP		
3.	118-372D	BOX DVDR 6.13 X 60DEG		
4.	118-338D	7 1/4 BOX DVDR FOR 7 1/2 ROW		
5.	195-372D	5000 21RW FEED CUP TRAY RH		
6.	890-350C	5/8 SHAFT LOCKING COLLAR		
7.	801-035C	SCREW SET 5/16-18 SKT KP X 3/8		
8.	817-075C	SEED CUP ASSEMBLY	Includes items 19-25	
9.	118-070D	SPACER TUBE X 4.59		
10.	804-031C	WASHER RETAINING		
11.	118-068D	SPACER TUBE X 5.71		
12.	805-023C	PIN ROLL 3/16X1 1/4 PLT		
13.	109-091D	MACHINED ADJUSTMENT SPOOL		
14.	175-430D	17.5' FD CUP SQ DRIVE BAR		
15.	817-074C	SEED CUP SLEEVE		
16.	890-190C	PM SEED CUP SPROCKET		
17.	800-009C	CLAMP HOSE 1 5/8 NO. 26		
18.	816-239C	SEED HOSE 56 RIBS X 11 LONG		
19.	801-057C	SCR SELF TAP 8X3/8 TYPE25 BT		
20.	817-073C	SEED CUP WASHER RETAINER		
21.	817-004C	NYLON WASHER-SPLIT		
22.	817-068C	SEED CUP LEFT HALF		
23.	817-070C	SEED CUP DOOR		
24.	817-069C	SEED CUP RIGHT HALF		
25.	817-071C	SEED CUP ADJUSTMENT HANDLE		
26.	803-194C	NUT HEX WHIZ 1/4-20 PLT		
27.	175-429D	COUPLING 5/8 SQ.		

[Table of Contents](#) [Part Number Index](#)

10" Right Wing Feeder Cup Tray Assy. Left Hand (195-097K) Fert. Only

(Applies to 3S-5000F, 3S-5000HDF only)



34332

10" Right Wing Feeder Cup Tray Assy. Left Hand (195-097K) Fert. Only

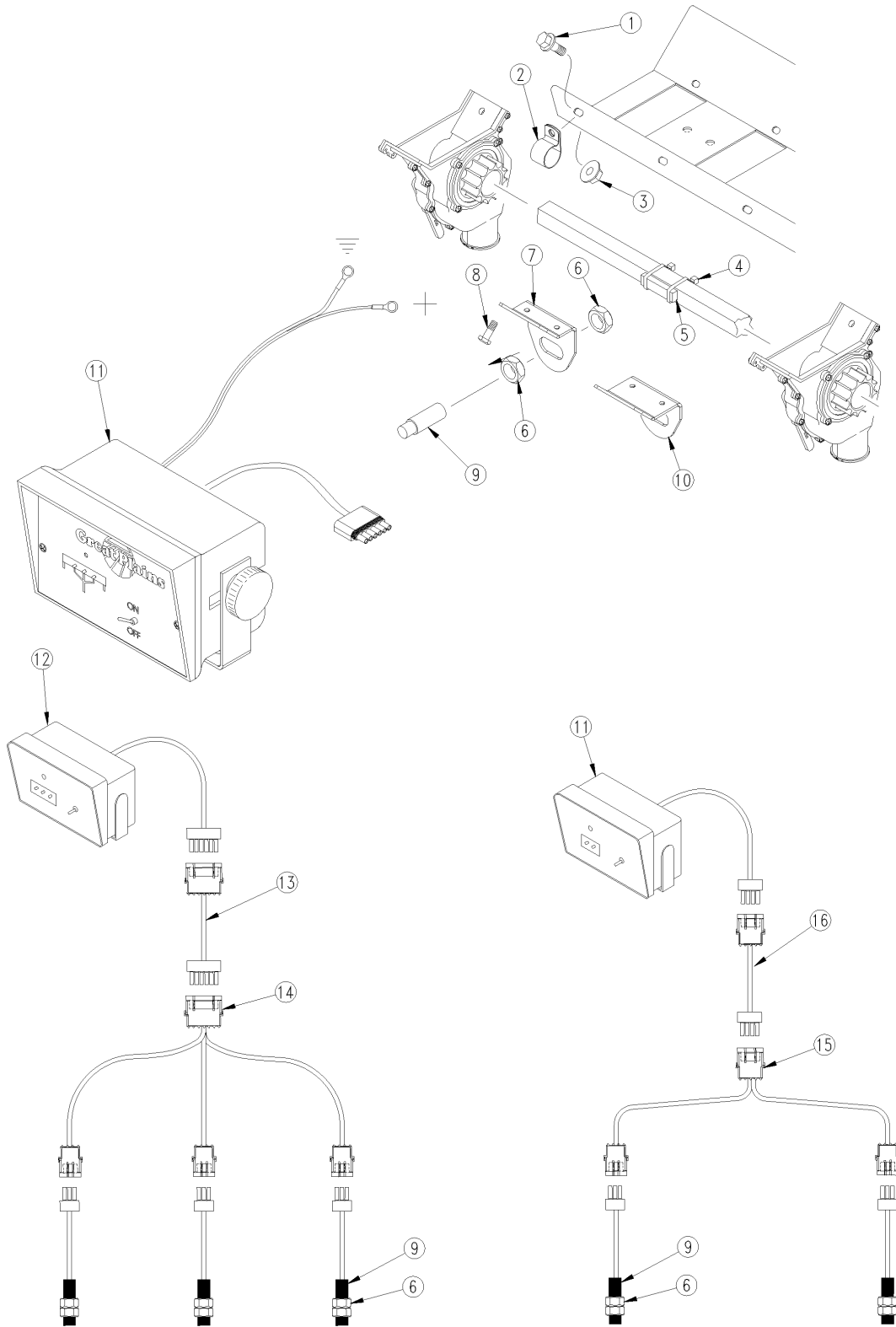
(Applies to 3S-5000F, 3S-5000HDF only)

Ref	Part No.	Part Description	Comments	Revision
	dwg34332	Image No.		
1.	802-004C	HHCS 1/4-20X3/4 GR5		
2.	118-341D	2SNT SEED BOX DIVIDER CLIP		
3.	118-338D	7 1/4 BOX DVDR FOR 7 1/2 ROW		
4.	118-432D	6 5/8 BOX DVDR FOR 8 1/2 ROW		
5.	195-373D	5000 21RW FEED CUP TRAY LH		
6.	805-023C	PIN ROLL 3/16X1 1/4 PLT		
7.	175-429D	COUPLING 5/8 SQ.		
8.	890-350C	5/8 SHAFT LOCKING COLLAR		
9.	801-035C	SCREW SET 5/16-18 SKT KP X 3/8		
10.	817-075C	SEED CUP ASSEMBLY	Includes items 31-27	
11.	118-068D	SPACER TUBE X 5.71		
12.	804-031C	WASHER RETAINING		
13.	109-091D	MACHINED ADJUSTMENT SPOOL		
14.	118-440D	SPACER TUBE X 5.079		
15.	803-194C	NUT HEX WHIZ 1/4-20 PLT		
16.	175-430D	17.5' FD CUP SQ DRIVE BAR		
17.	817-074C	SEED CUP SLEEVE		
18.	890-190C	PM SEED CUP SPROCKET		
19.	800-009C	CLAMP HOSE 1 5/8 NO. 26		
20.	816-239C	SEED HOSE 56 RIBS X 11 LONG		
21.	801-057C	SCR SELF TAP 8X3/8 TYPE25 BT		
22.	817-073C	SEED CUP WASHER RETAINER		
23.	817-004C	NYLON WASHER-SPLIT		
24.	817-068C	SEED CUP LEFT HALF		
25.	817-070C	SEED CUP DOOR		
26.	817-069C	SEED CUP RIGHT HALF		
27.	817-071C	SEED CUP ADJUSTMENT HANDLE		

[Table of Contents](#) [Part Number Index](#)

Loup Shaft Monitor (2 Channel 116-282A) (3 Channel 116-283A)

(Applies to 3S-5000, 3S-5000F, 3S-5000HD, 3S-5000HDF only)



34220

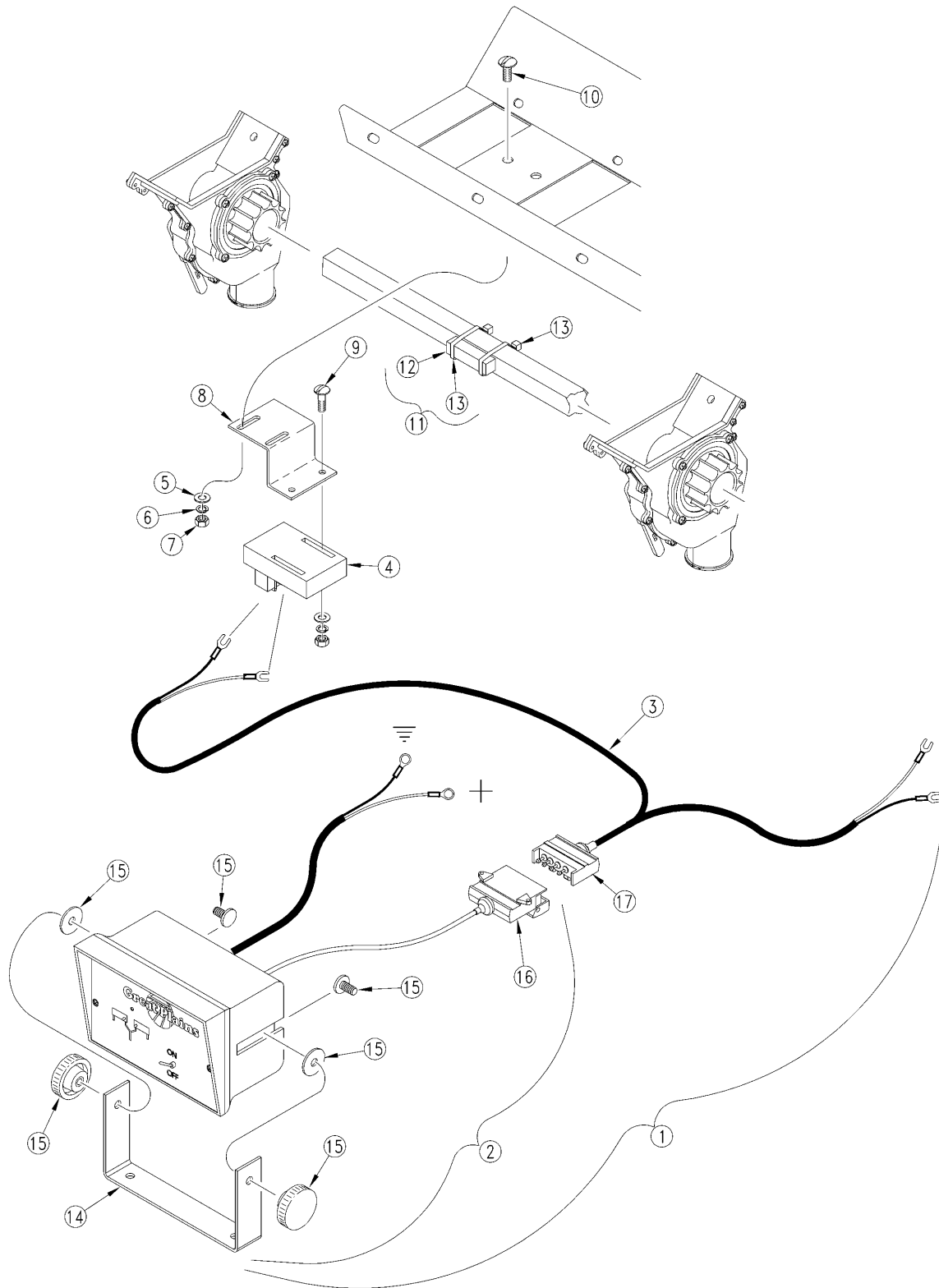
Loup Shaft Monitor (2 Channel 116-282A) (3 Channel 116-283A)

(Applies to 3S-5000, 3S-5000F, 3S-5000HD, 3S-5000HDF only)

Ref	Part No.	Part Description	Comments	Revision
	dwg34220	Image No.		
1.	802-257C	HFSS 1/4-20X3/4 GR5		
2.	800-052C	HOSE CLIP 5/8 I.D.		
3.	803-088C	NUT HEX LOCK 1/4-20 FLG		
4.	770026	CABLE TIE, NYLON		
5.	540017	MAGNET, ADHESIVE BACKED, LARGE		
6.	710425	NUT HEX JAM, PLASTIC M16 X 2		
7.	116-019D	SHAFT SENSOR MOUNT		
8.	801-199C	SCR SELF TAP #10 X 3/4		
9.	253100	LOUP SHAFT SENSOR 2&3 CHANNEL		
10.	116-020D	SMALL CUP SENSOR MOUNT		
11.	253017	LOUP 3 CHANNEL SHAFT MONITOR		
12.	253016	LOUP 2 CHANNEL SHAFT MONITOR		
13.	833-595C	SHAFT MONITOR EXT. 30' 6P WP		
14.	318951	HARNESS 3 SHAFT MONITOR LOUP		
15.	253017	LOUP 3 CHANNEL SHAFT MONITOR		
16.	833-596C	SHAFT MONITOR EXT. 25' 4P WP		
17.	318917	HARNESS 2 SHAFT MONITOR LOUP		

Vansco Shaft Monitor (Option)

(Applies to 3S-5000, 3S-5000F, 3S-5000HD, 3S-5000HDF only)



27009

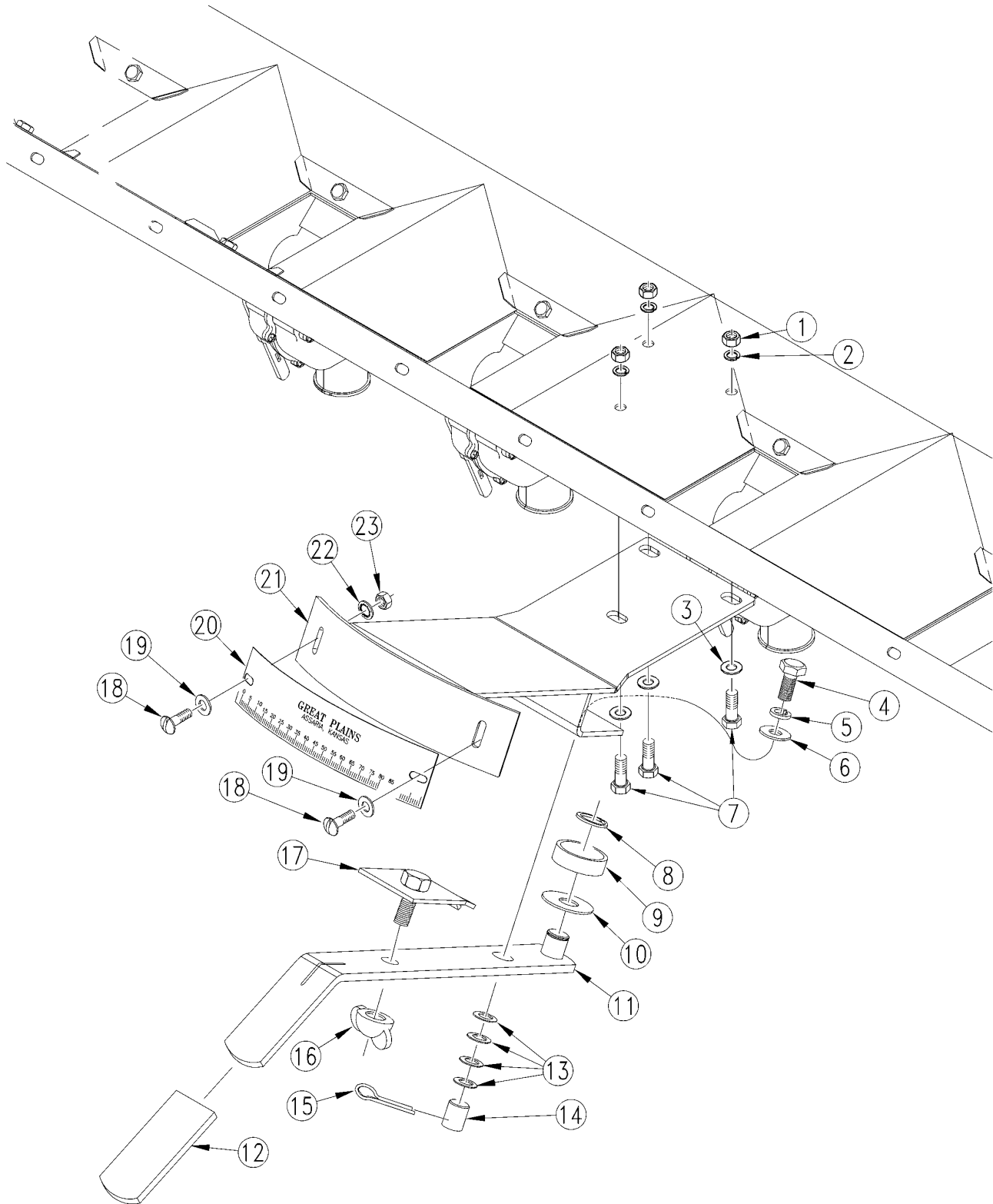
Vansco Shaft Monitor (Option)

(Applies to 3S-5000, 3S-5000F, 3S-5000HD, 3S-5000HDF only)

Ref	Part No.	Part Description	Comments	Revision
	dwg27009	Image No.		
1.	823-059C	VANSCO 2 CHANNEL SHAFT MONITOR		
1.	823-060C	VANSCO 3 CHANNEL SHAFT MONITOR		
1.	823-076C	VANSCO 2 CHNL SHAFT MNTR-2SNT		
2.	253001	VANSCO CONTROL BOX ASSY 2 CH		
2.	253000	VANSCO CONTROL BOX ASSY 3 CH		
3.	253701	VANSCO HARNESS 2 CH 40FT		
3.	253700	VANSCO HARNESS 3 CH 60FT		
4.	VA-080002	REED SWITCH PICK-UP		
5.	804-088C	WASHER FLAT #8 SAE PLT		
6.	804-043C	WASHER LOCK #8		
7.	803-064C	NUT HEX 8-32		
8.	116-181D	VANSCO SWITCH BRACKET		
9.	801-067C	SCREW RD HD 8-32 X 1 1/2LG PLT		
10.	801-016C	SCREW RD HD 8-32 X 1/2 LG PLT		
11.	116-132K	VANSCO MAGNET & CABLE TIE ASSY		
12.	890-321C	VANSCO MAGNET		
13.	800-112C	CABLE TIE .19X7.25 1.75D 50LB		
14.	VA-VMM253501	MOUNTING BRACKET		
15.	VA-253307	VANSCO MOUNTING KNOB KIT		
16.	VA-JX-B77	BRYLITE CONSOLE END		
17.	VA-JX-B76	BRYLITE HARNESS END		

Seed Rate Adjustment Handle (118-442S) Fert. Only

(Applies to 3S-5000F, 3S-5000HDF only)



34253

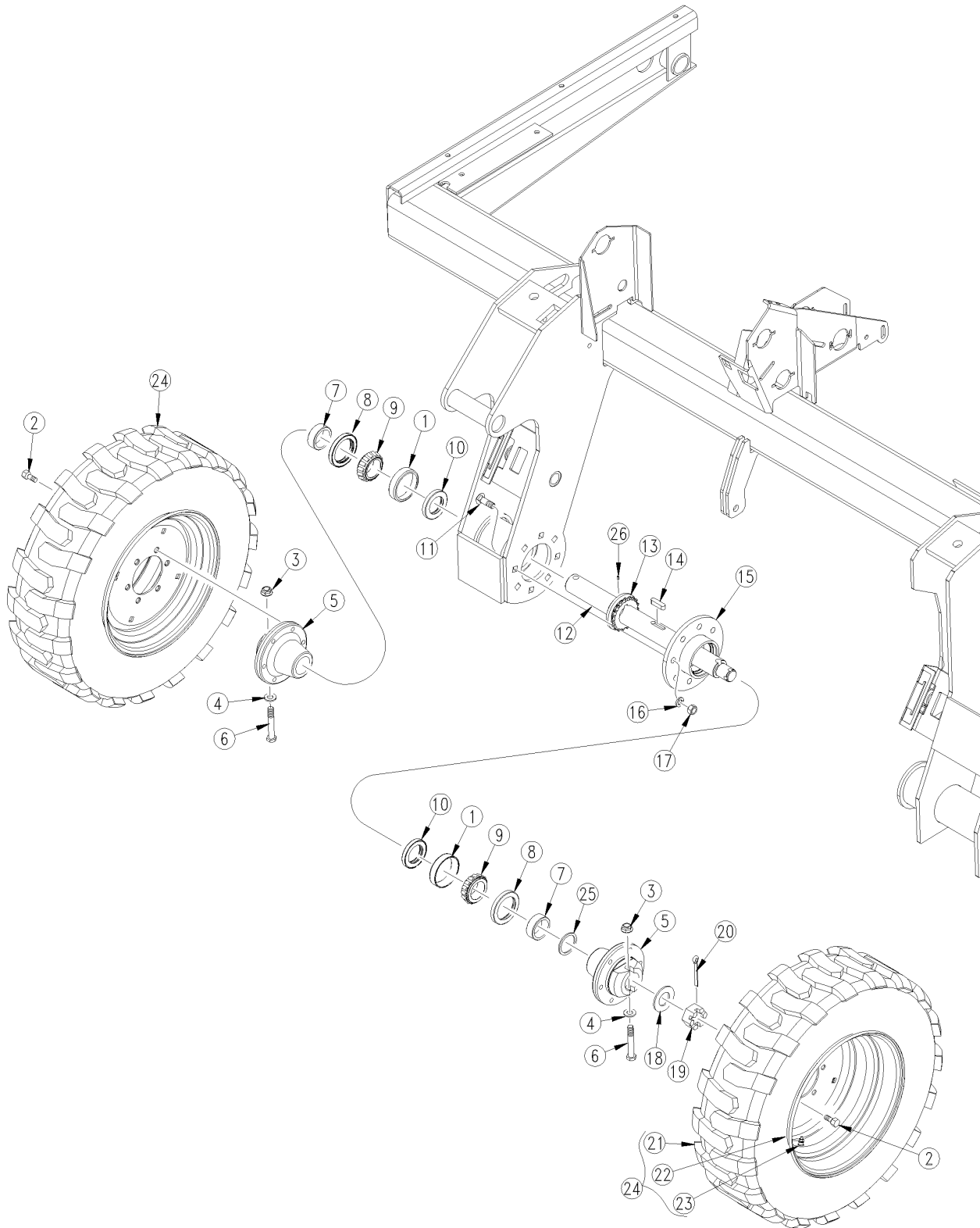
Seed Rate Adjustment Handle (118-442S) Fert. Only

(Applies to 3S-5000F, 3S-5000HDF only)

Ref	Part No.	Part Description	Comments	Revision
	dwg34253	Image No.		
1.	803-008C	NUT HEX 5/16-18 PLT		
2.	804-009C	WASHER LOCK SPRING 5/16 PLT		
3.	804-010C	WASHER FLAT 5/16 USS PLT		
4.	802-014C	HHCS 3/8-16X3/4 GR5		
5.	804-013C	WASHER LOCK SPRING 3/8 PLT		
6.	804-012C	WASHER FLAT 3/8 SAE PLT		
7.	802-007C	HHCS 5/16-18X3/4 GR5		
8.	800-003C	SNAP RING EXT 17 MM		
9.	822-008C	BRG BALL 17IDX40OD 6203		
10.	804-001C	WASHER ADJ HANDLE BRG		
11.	118-443H	SEED RATE ADJ HANDLE WLDMNT		
12.	816-509C	GRIP 1/4 X 1 1/2 X 3 LG		
13.	804-040C	WASHER MACH 1.19 X .63 X 18GA		
14.	109-069D	ADJUSTMENT HANDLE PIVOT		
15.	805-016C	PIN COTTER 3/16 X 1 1/4 PLT		
16.	803-016C	NUT WING 1/2-13 PLT		
17.	109-025H	ADJ LOCK PLATE ASS'Y - 1 1/2 W		
18.	801-001C	SCREW RD HD 8-32 X 3/8 BRASS		
19.	804-003C	WASHER FLAT #8 BRASS		
20.	819-001C	NAME PLATE ADJ. GUIDE LONG		
21.	118-444H	SEED RATE ADJ WLDMNT		
22.	804-002C	WASHER INTERNAL STAR #8 BRASS		
23.	803-035C	NUT HEX 8-32 BRASS		

Gauge Wheels

(Applies to 3S-5000, 3S-5000F, 3S-5000HD, 3S-5000HDF only)



34248

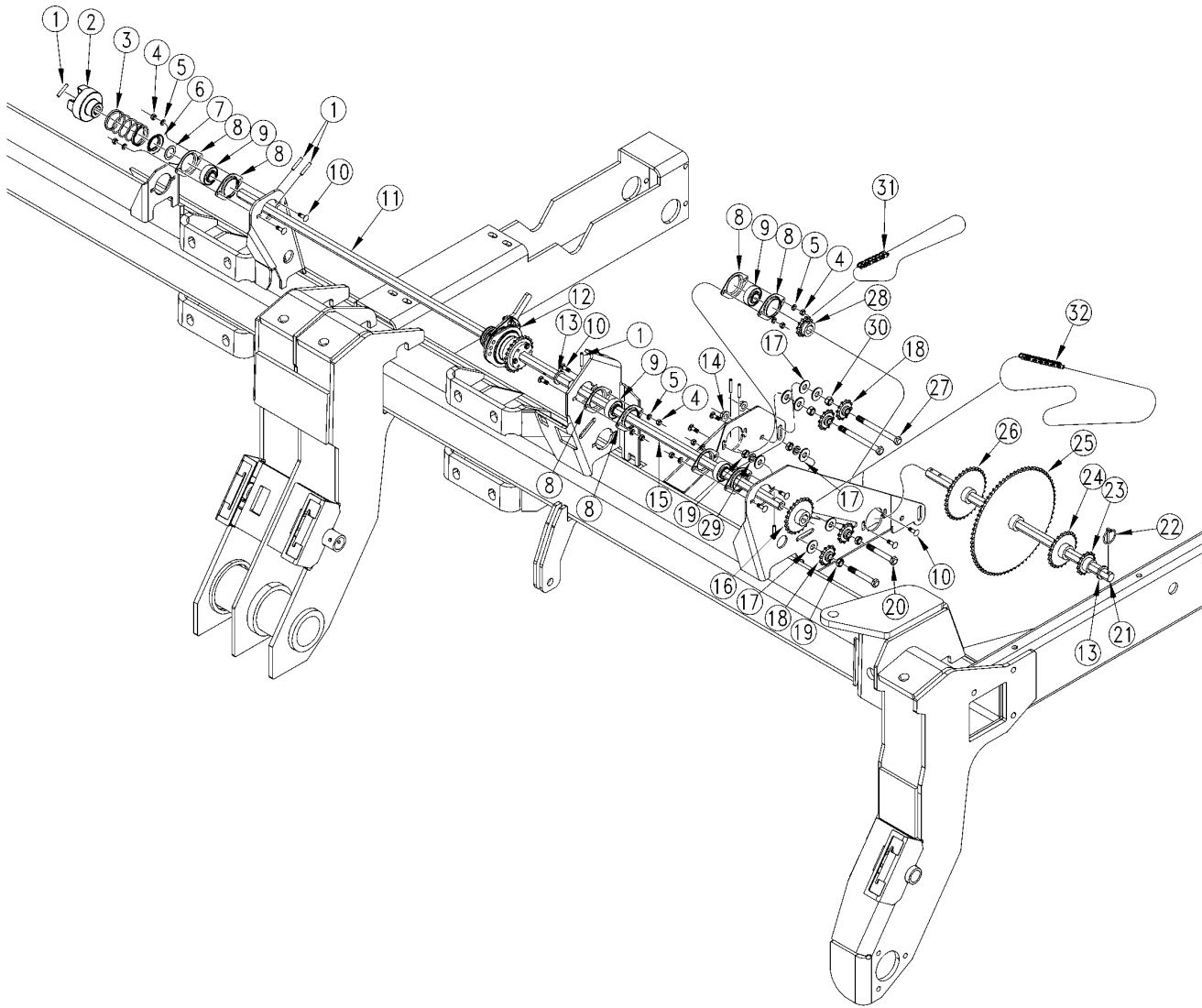
Gauge Wheels

(Applies to 3S-5000, 3S-5000F, 3S-5000HD, 3S-5000HDF only)

Ref	Part No.	Part Description	Comments	Revision
	dwg34248	Image No.		
1.	822-118C	BRG CUP 3.75OD TIM33821		
2.	802-104C	BOLT WHEEL 1/2-20X1 90-DEG		
3.	803-263C	NUT HEX FLANGE LOCK 5/8-11 PLT		
4.	804-095C	WASHER FLAT 5/8 HARD ASTM F436		
5.	152-597D	6 LUG DRIVE HUB 2.125 BORE		
6.	802-687C	HHCS 5/8-11X4 SPTHD GR8		
7.	195-425D	AXLE SPACER TUBE		
8.	816-747C	SEAL DBLLIP 2.75 ID X 3.881 OD		
9.	822-276C	BEARING CONE 2.125" TIM33895		
10.	816-748C	SEAL 3.375X2.125X.438 CR 21353		
11.	802-088C	RHSNB 5/8-11X2 GR5		
12.	195-424D	GAUGE WHEEL DRIVE SPINDLE		
13.	195-390H	SPKT 50A19 2.125 BORE KEYED		
14.	800-435C	KEY 1/2 SQ X 2 LONG RD ENDS		
15.	195-391H	3S-5000 GAGE WHL BRNG END CAP		
16.	804-022C	WASHER LOCK SPRING 5/8 PLT		
17.	803-021C	NUT HEX 5/8-11 PLT		
18.	804-182C	WASHER HARD 1 1/2 MILCARB GR8		
19.	803-239C	NUT HEX SLOTTED 1 1/2-12 PLT		
20.	805-148C	PIN COTTER 3/8 X 3 PLT		
21.	814-469C	TIRE TITAN 340/60R16.5	(S/N C1286L-)	
21.	814-629C	TIRE TITAN 340/65R18	(S/N C1287L+)	
22.	814-489C	WHEEL 16.5X11 6-BOLT, 2 OFFSET	(S/N C1251L-)	
22.	814-498C	WHEEL 16.5X11 6BOLT 2OFFSET BKS	(S/N C1252L - C1286L)	
22.	814-628C	WHEEL 18X11 6BOLT 2OFFSET BKS	(S/N C1287+)	
23.	814-210C	VALVE STEM METAL TR-575 TUBLES		
24.	814-488C	TIRE/WHEEL ASSY 340/60R16.5	(S/N C1251L-) Includes items 21-23	
24.	814-496C	TIRE/WHEEL ASY340/60R16.5 BKS	(S/N C1252L - C1286L) Includes items 21-23	
24.	814-630C	TIRE/WHEEL ASY340/65R18 BKS	(S/N C1287L+) Includes items 21-23	
25.	195-426D	WASHER FLAT 2.13 ID X 2.63		
26.	801-023C	SCREW SET SH 3/8-16X3/8 TYPE C		

Center Drive

(Applies to 3S-5000, 3S-5000F, 3S-5000HD, 3S-5000HDF only)



34335

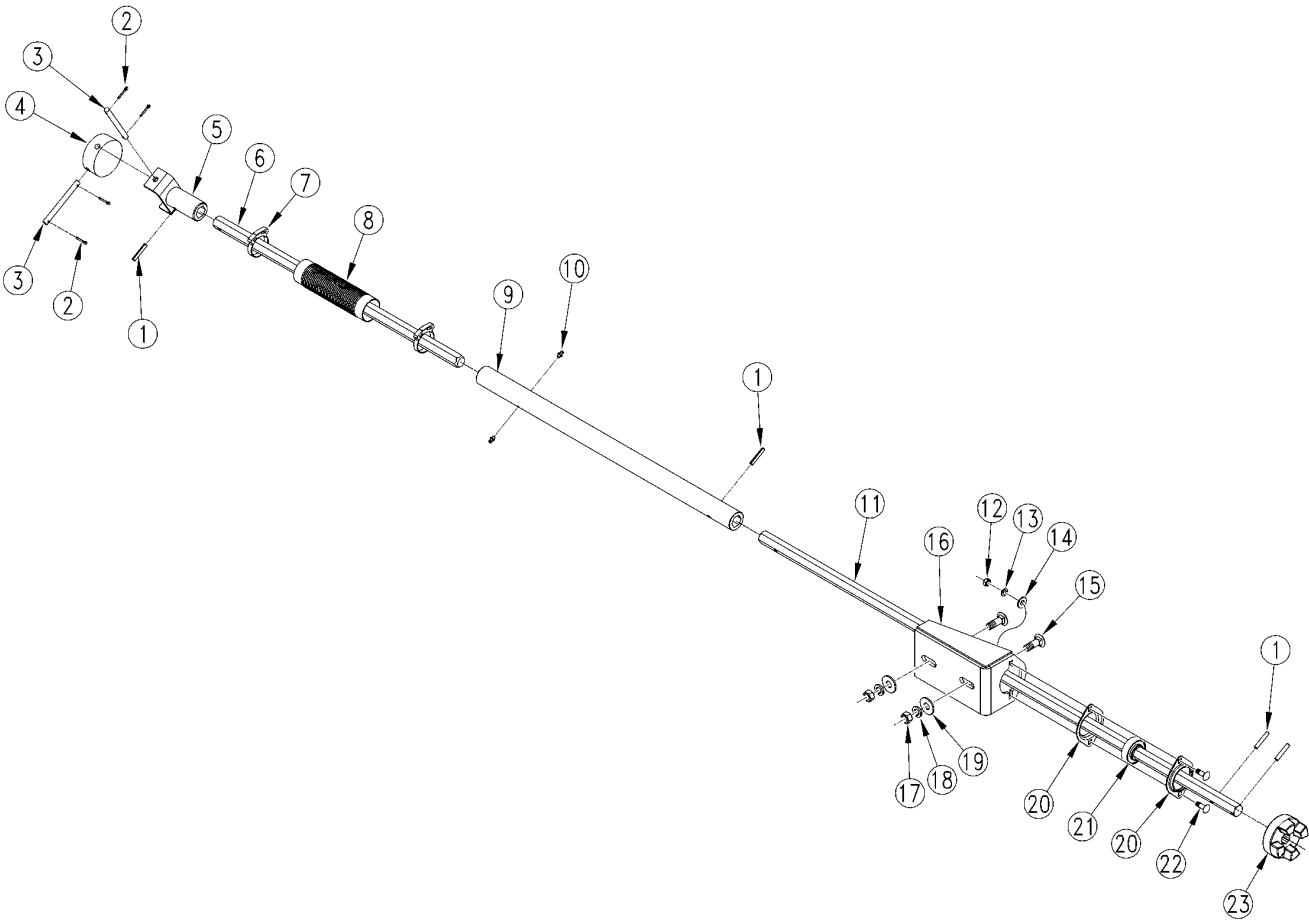
Center Drive

(Applies to 3S-5000, 3S-5000F, 3S-5000HD, 3S-5000HDF only)

Ref	Part No.	Part Description	Comments	Revision
	dwg34335	Image No.		
1.	805-180C	PIN ROLL 1/4 X 1 1/2 LG PLT		
2.	195-109D	BRKAWAY CLUTCH 7/8 HX LONG BR		
3.	807-097C	SPRING COMP 2 1/16 OD X 4 LG		
4.	803-008C	NUT HEX 5/16-18 PLT		
5.	804-009C	WASHER LOCK SPRING 5/16 PLT		
6.	176-066D	CLUTCH SPRING RETAINER		
7.	804-061C	WASHER MACH 1.50 X 1.00 X 18GA		
8.	822-032C	FLANGETTE 52 MST		
9.	822-119C	BRG 7/8HEXX2.05OD SPH		
10.	802-282C	RHSNB 5/16-18X1 GR5		
11.	195-419D	HEX SHAFT 7/8 X 46 3/8 DRILLED		
12.	195-272K	3S-4000F CTR CLUTCH ASSY	Refer to Clutch Breakdown (195-272K)	
13.	195-243D	7/8 HEX SPROCKET WASHER		
14.	803-169C	NUT HEX FLG LOCK 1/2-13 PLT		
15.	195-418D	ACRE METER SHAFT		
16.	808-256C	SPKT 40C23 X 7/8 HEX BORE		
17.	804-113C	WASHER FLAT 1/2 USS HARD PLT		
18.	817-025C	NO. 40 12T IDLER SPKT.		
19.	803-036C	NUT HEX JAM 1/2-13 PLT		
20.	802-041C	HHCS 1/2-13X3 1/2 GR5		
21.	195-172D	SEED JACKSHAFT 7/8 HEX CENTER		
22.	805-240C	PIN LINCH 3/16 X 1 9/16 LONG		
23.	808-259C	SPKT 40B14 X 7/8 HEX BORE		
24.	808-256C	SPKT 40C23 X 7/8 HEX BORE		
25.	808-258C	SPKT 40B72 X 7/8 HEX BORE		
26.	808-257C	SPKT 40B34 X 7/8 HEX BORE		
27.	802-046C	HHCS 1/2-13X5 1/2 GR5		
28.	808-143C	SPKT 40B12 7/8 HEX BORE W/SS		
29.	804-015C	WASHER LOCK SPRING 1/2 PLT		
30.	803-020C	NUT HEX 1/2-13 PLT		
31.	136-052D	CHAIN RL #40 69 PITCHES		
32.	136-122D	CHAIN RL #40 129 PITCHES		

Center Drive Breakaway

(Applies to 3S-5000, 3S-5000F, 3S-5000HD, 3S-5000HDF only)



34337

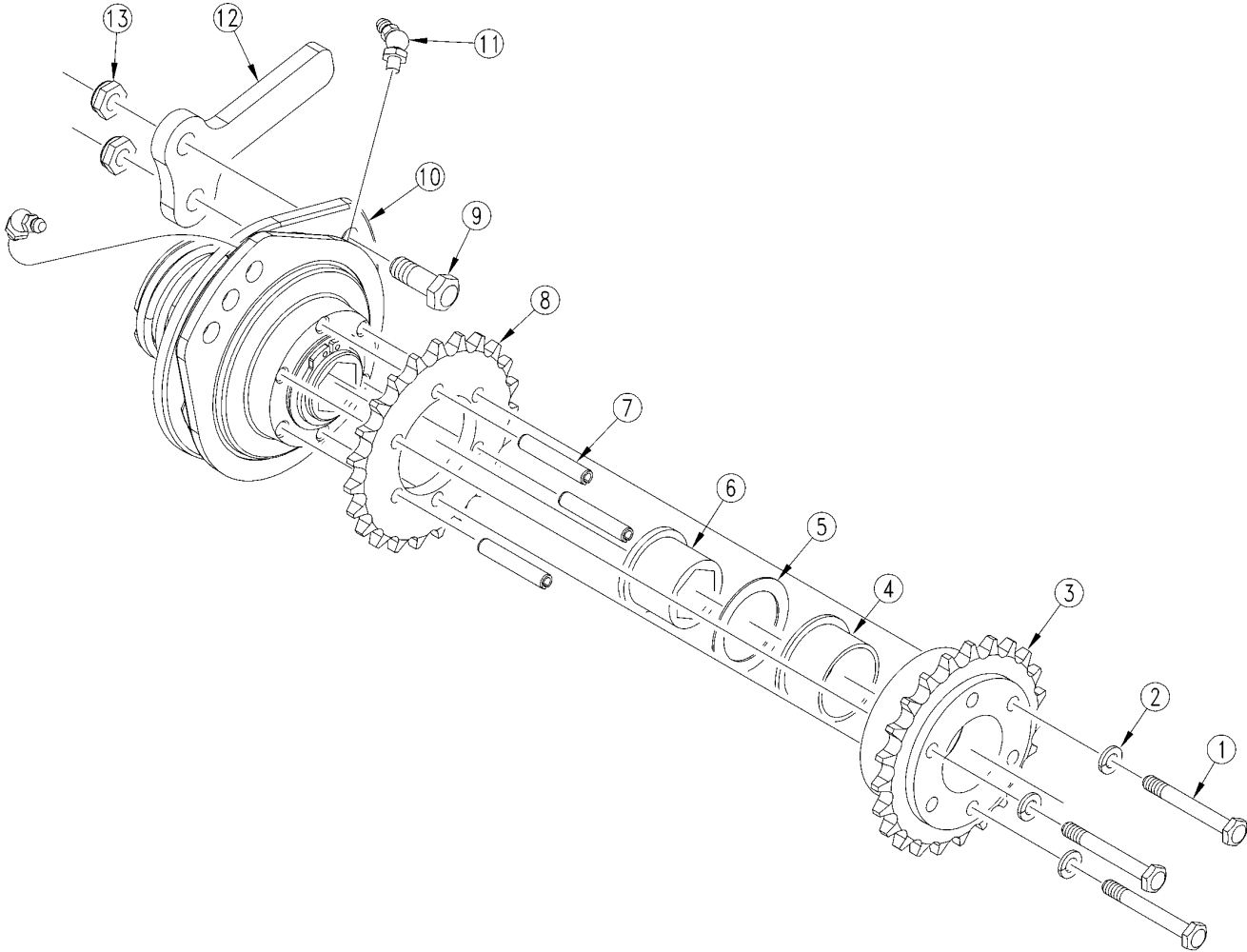
Center Drive Breakaway

(Applies to 3S-5000, 3S-5000F, 3S-5000HD, 3S-5000HDF only)

Ref	Part No.	Part Description	Comments	Revision
	dwg34337	Image No.		
1.	805-180C	PIN ROLL 1/4 X 1 1/2 LG PLT		
2.	805-067C	PIN COTTER 1/8 X 3/4		
3.	195-157D	U-JOINT PIN 3/8		
4.	817-273C	U-JOINT NYLATRON CROSS BLOCK		
5.	195-129H	U-JOINT YOKE, 7/8 HEX BORE		
6.	195-152D	HEX SHFT 7/8TELESCOPING 25 3/4		
7.	800-016C	UPPER FERT HOSE CLAMP RATCHET		
8.	816-242C	SEED HOSE-BELLOWS 1.75IDX36RIB		
9.	195-153D	TELESCOPING TUBE 7/8 HEX BORE		
10.	800-001C	GREASE ZERK STRAIGHT 1/4-28		
11.	195-434D	HEX SHAFT 7/8 BREAKAWAY		
12.	803-008C	NUT HEX 5/16-18 PLT		
13.	804-009C	WASHER LOCK SPRING 5/16 PLT		
14.	804-010C	WASHER FLAT 5/16 USS PLT		
15.	802-106C	RHSNB 1/2-13X1 1/2 GR5		
16.	195-395H	DRIVE BREAKAWAY WELDMENT		
17.	803-020C	NUT HEX 1/2-13 PLT		
18.	804-015C	WASHER LOCK SPRING 1/2 PLT		
19.	804-113C	WASHER FLAT 1/2 USS HARD PLT		
20.	822-032C	FLANGETTE 52 MST		
21.	822-119C	BRG 7/8HEXX2.05OD SPH		
22.	802-282C	RHSNB 5/16-18X1 GR5		
23.	195-108D	BRKAWAY CLUTCH 7/8 HX SHORT BR		

Clutch Breakdown (195-187K)

(Applies to 3S-5000, 3S-5000F, 3S-5000HD, 3S-5000HDF only)



34360

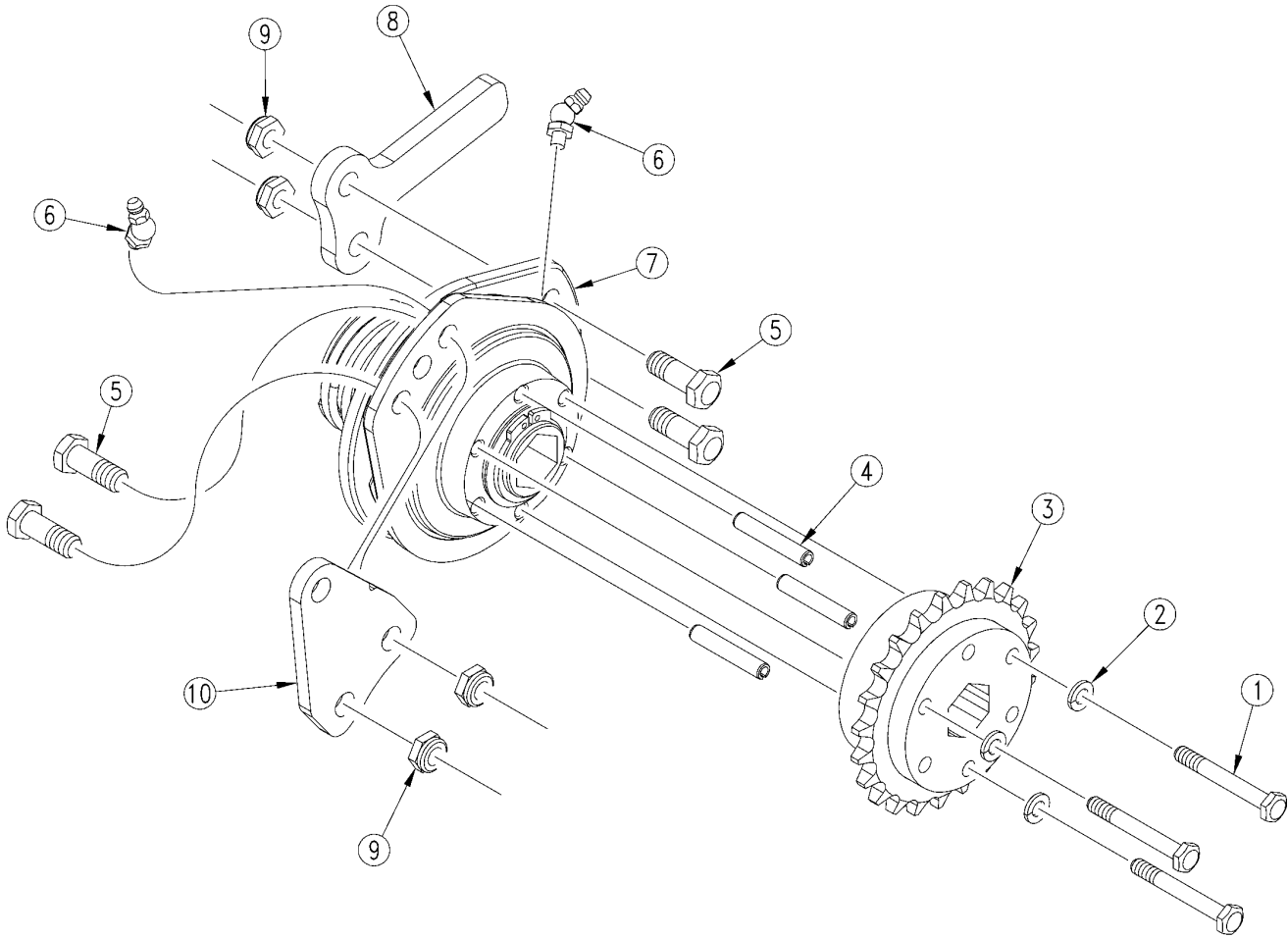
Clutch Breakdown (195-187K)

(Applies to 3S-5000, 3S-5000F, 3S-5000HD, 3S-5000HDF only)

Ref	Part No.	Part Description	Comments	Revision
	dwg34360	Image No.		
1.	802-152C	HHCS 1/4-20X2 GR5		
2.	804-006C	WASHER LOCK SPRING 1/4 PLT		
3.	195-160H	SPKT CLUTCH 40B23T RND BORE		
4.	817-111C	BSHG FLG 1.26IDX1.41ODX.87L		
5.	176-065D	CLUTCH FRICTION WASHER		
6.	195-222D	BRG 7/8 HEX ID X 1.254 OD		
7.	805-180C	PIN ROLL 1/4 X 1 1/2 LG PLT		
8.	808-240C	SPKT 40A23X1.813-1.818 BR/6HOL		
9.	802-017C	HHCS 3/8-16X1 GR5		
10.	176-042S	JAW CLUTCH CW EXT 7/8 HEX		
11.	800-058C	GREASE ZERK 1/4-28 X 45-DEG		
12.	152-262D	CLUTCH ENGAGE ARM		
13.	803-215C	NUT NYLOCK JAM THIN 3/8-16 PLT		

Clutch Breakdown (195-272K)

(Applies to 3S-5000, 3S-5000F, 3S-5000HD, 3S-5000HDF only)



34359

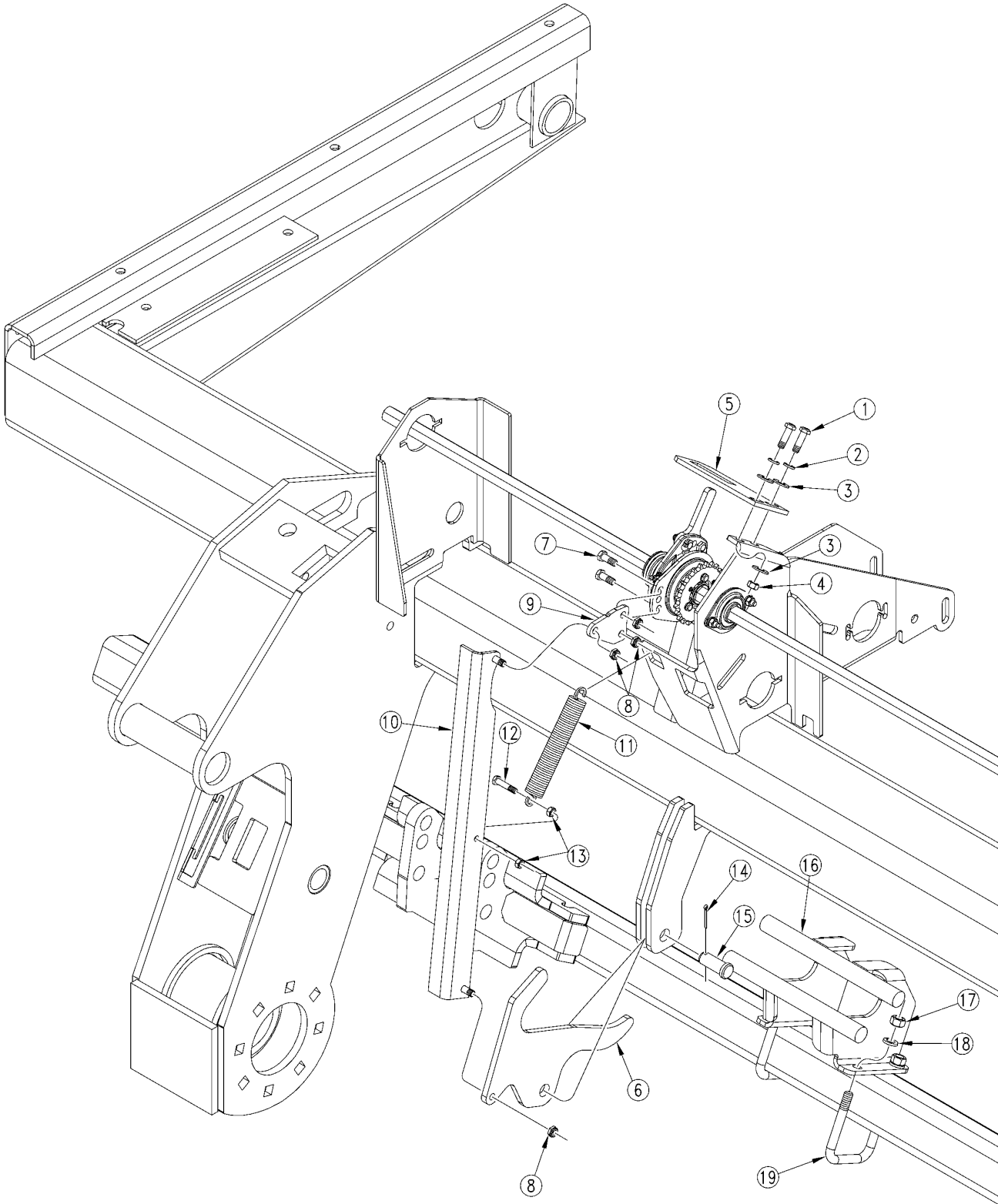
Clutch Breakdown (195-272K)

(Applies to 3S-5000, 3S-5000F, 3S-5000HD, 3S-5000HDF only)

Ref	Part No.	Part Description	Comments	Revision
	dwg34359	Image No.		
1.	802-152C	HHCS 1/4-20X2 GR5		
2.	804-006C	WASHER LOCK SPRING 1/4 PLT		
3.	195-161H	SPKT CLUTCH 40B23T HEX BORE		
4.	805-180C	PIN ROLL 1/4 X 1 1/2 LG PLT		
5.	802-017C	HHCS 3/8-16X1 GR5		
6.	800-058C	GREASE ZERK 1/4-28 X 45-DEG		
7.	176-042S	JAW CLUTCH CW EXT 7/8 HEX		
8.	152-262D	CLUTCH ENGAGE ARM		
9.	803-215C	NUT NYLOCK JAM THIN 3/8-16 PLT		
10.	195-254D	CLUTCH PULL TAB		

Clutch Linkage

(Applies to 3S-5000, 3S-5000F, 3S-5000HD, 3S-5000HDF only)



34357

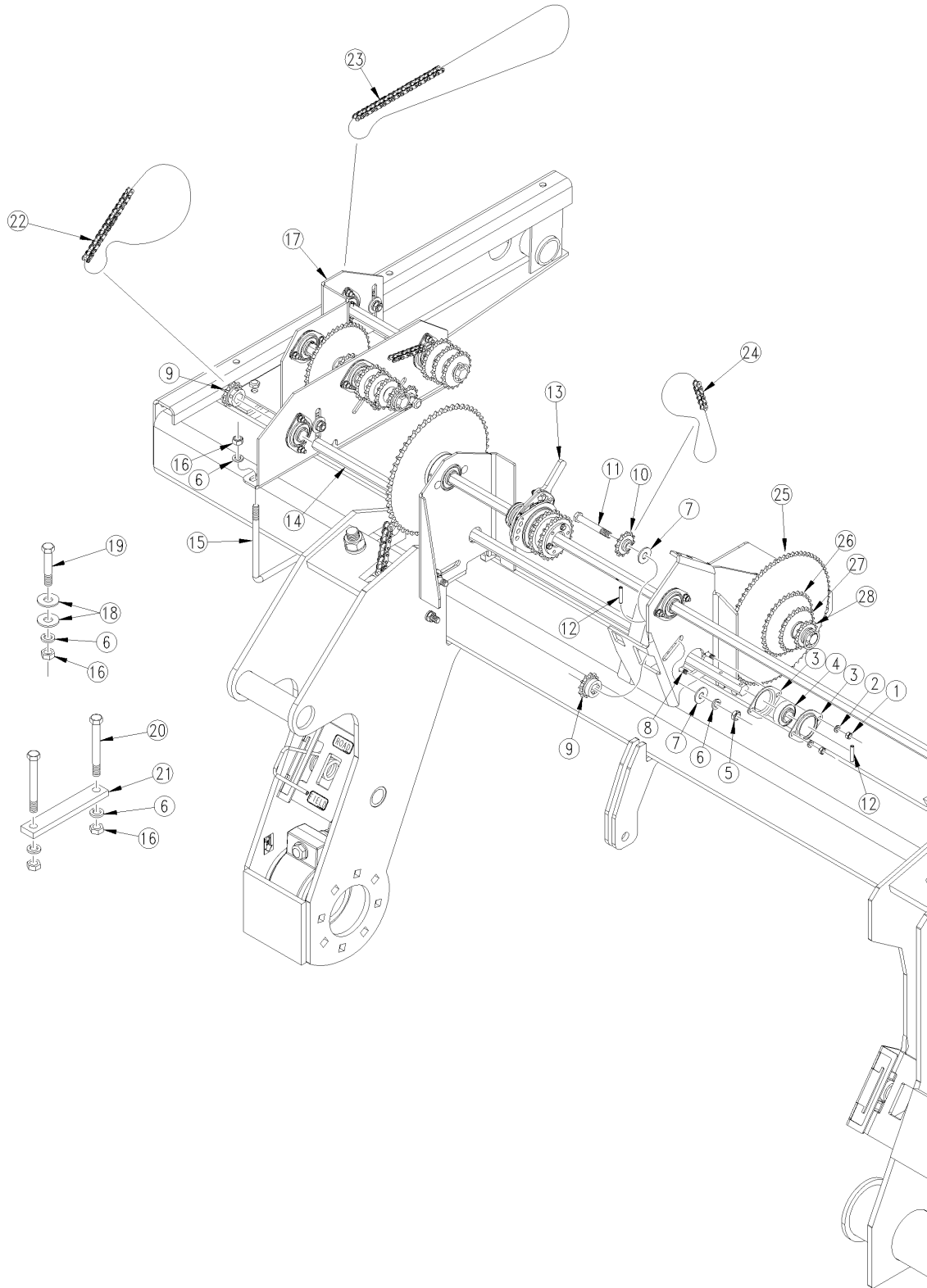
Clutch Linkage

(Applies to 3S-5000, 3S-5000F, 3S-5000HD, 3S-5000HDF only)

Ref	Part No.	Part Description	Comments	Revision
	dwg34357	Image No.		
1.	802-079C	HHCS 3/8-16X1 1/4 GR5		
2.	804-013C	WASHER LOCK SPRING 3/8 PLT		
3.	804-011C	WASHER FLAT 3/8 USS PLT		
4.	803-014C	NUT HEX 3/8-16 PLT		
5.	152-263D	CLUTCH ENGAGE TAB		
6.	195-144D	CLUTCH SHUTOFF CAM, 00 SERIES		
7.	802-017C	HHCS 3/8-16X1 GR5		
8.	803-215C	NUT NYLOCK JAM THIN 3/8-16 PLT		
9.	195-254D	CLUTCH PULL TAB		
10.	195-397H	CLUTCH SHUTOFF LINK, 5000		
11.	807-072C	SPRING EXT 1 1/16 ODX.120WX5.5		
12.	802-012C	HHCS 5/16-18X1 1/2 GR5		
13.	803-008C	NUT HEX 5/16-18 PLT		
14.	805-109C	PIN COTTER 1/8 X 1 1/4 PLT		
15.	805-083C	PIN CLEVIS 3/4 X 1 1/2		
16.	195-131H	SUBFRM CLUTCH BRKT,SOLID STAND		
17.	803-020C	NUT HEX 1/2-13 PLT		
18.	804-015C	WASHER LOCK SPRING 1/2 PLT		
19.	806-006C	U-BOLT 5/8-11 X 3 17/32 X 5		

Fertilizer Drive

(Applies to 3S-5000, 3S-5000F, 3S-5000HD, 3S-5000HDF only)



34346

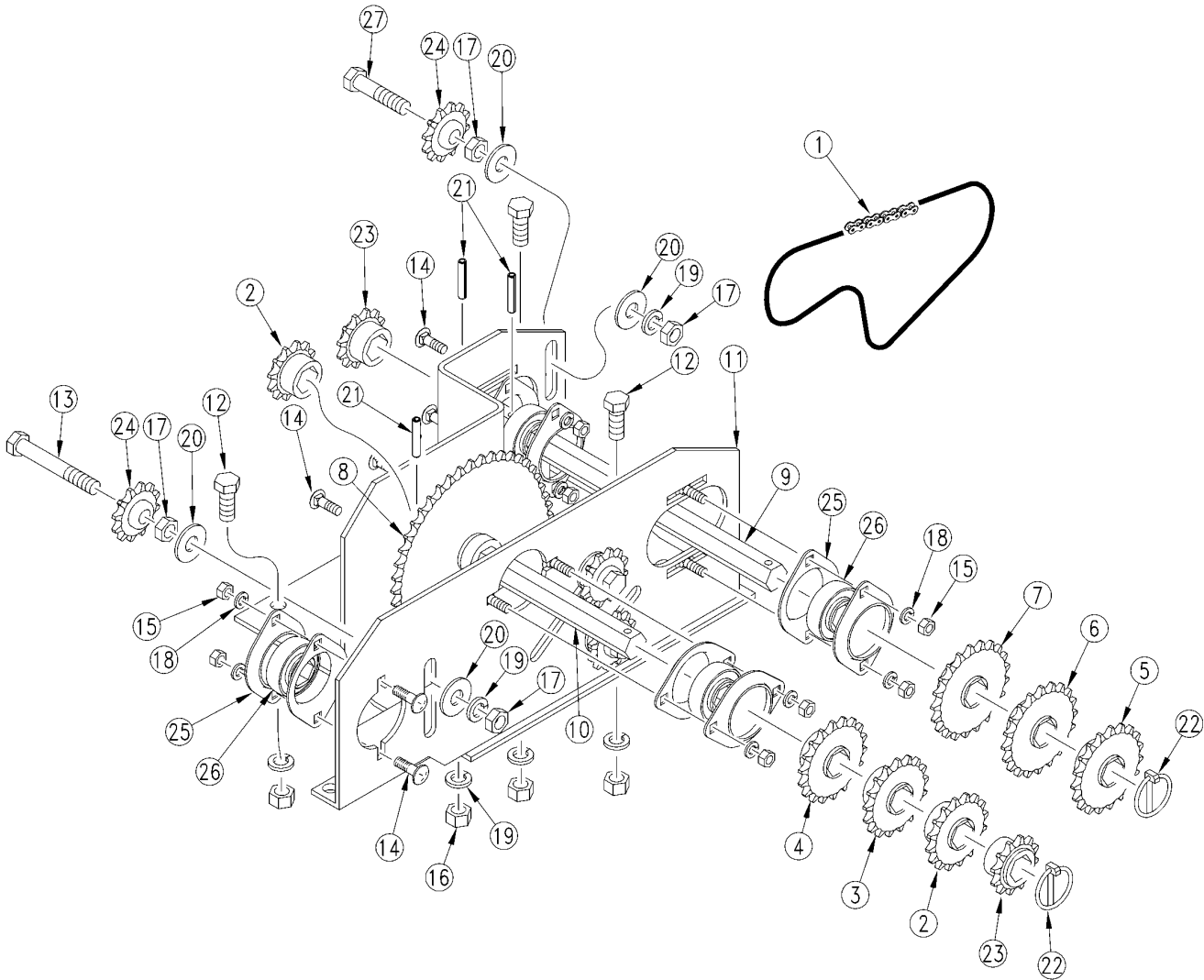
Fertilizer Drive

(Applies to 3S-5000, 3S-5000F, 3S-5000HD, 3S-5000HDF only)

Ref	Part No.	Part Description	Comments	Revision
	dwg34346	Image No.		
1.	803-008C	NUT HEX 5/16-18 PLT		
2.	804-009C	WASHER LOCK SPRING 5/16 PLT		
3.	822-032C	FLANGETTE 52 MST		
4.	822-119C	BRG 7/8HEXX2.05OD SPH		
5.	803-036C	NUT HEX JAM 1/2-13 PLT		
6.	804-015C	WASHER LOCK SPRING 1/2 PLT		
7.	804-113C	WASHER FLAT 1/2 USS HARD PLT		
8.	802-282C	RHSNB 5/16-18X1 GR5		
9.	808-143C	SPKT 40B12 7/8 HEX BORE W/SS		
10.	817-025C	NO. 40 12T IDLER SPKT.		
11.	802-041C	HHCS 1/2-13X3 1/2 GR5		
12.	805-180C	PIN ROLL 1/4 X 1 1/2 LG PLT		
13.	195-187K	3S-3000F LH WING CLUTCH ASSY	Refer to Clutch Breakdown (195-187K)	
13.	195-272K	3S-4000F CTR CLUTCH ASSY	Refer to Clutch Breakdown (195-272K)	
14.	195-271D	HEX SHAFT 7/8,4000 FERT JS RH		
14.	195-422D	HEX SHAFT 7/8,5000 FERT JS CTR		
14.	195-375D	POWER SHAFT 7/8 HEX LH		
15.	806-060C	U-BOLT 1/2-13 X 6 1/32 X 7 1/4		
16.	803-020C	NUT HEX 1/2-13 PLT		
17.	195-273S	40'-3S FERT DR SUBASSY LH	Refer to Fertilizer Drive Subassembly for breakdown	
18.	804-016C	WASHER FLAT 1/2 SAE PLT		
19.	802-091C	HHCS 1/2-13X1 1/2 GR5	Used on Left Wing only	
20.	802-377C	HHCS 1/2-13X7 1/2 GR5	Used with marker only	
21.	195-007D	RH FERT DRIVE MNT CLAMP PLT	Used with marker only	
22.	136-151D	CHAIN RL #40 59 PITCHES		
23.	136-044D	CHAIN RL #40 109 PITCHES		
24.	136-274D	CHAIN RL #40 46 PITCH W/CON		
25.	808-258C	SPKT 40B72 X 7/8 HEX BORE		
26.	808-257C	SPKT 40B34 X 7/8 HEX BORE		
27.	808-256C	SPKT 40C23 X 7/8 HEX BORE		
28.	808-259C	SPKT 40B14 X 7/8 HEX BORE		

Fertilizer Drive Subassembly

(Applies to 3S-5000, 3S-5000F, 3S-5000HD, 3S-5000HDF only)



21524

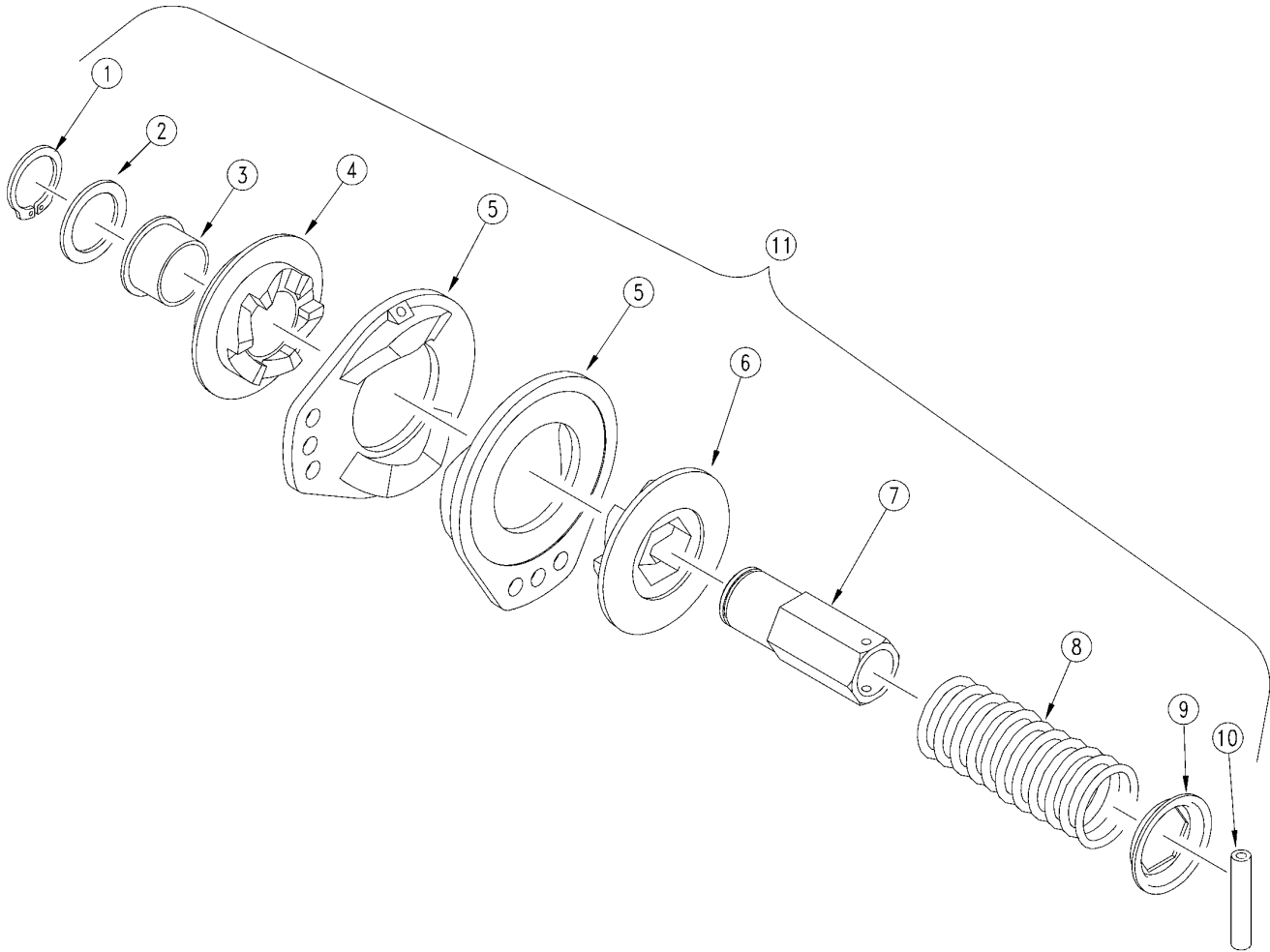
Fertilizer Drive Subassembly

(Applies to 3S-5000, 3S-5000F, 3S-5000HD, 3S-5000HDF only)

Ref	Part No.	Part Description	Comments	Revision
	dwg21524	Image No.		
1.	136-027D	CHAIN RL #40 57 PITCHES		
2.	195-153H	SPKT 40B16T X 7/8 HEX BORE		
3.	195-154H	SPKT 40B17T X 7/8 HEX BORE		
4.	195-155H	SPKT 40B18T X 7/8 HEX BORE		
5.	195-156H	SPKT 40B19T X 7/8 HEX BORE		
6.	195-157H	SPKT 40B20T X 7/8 HEX BORE		
7.	195-158H	SPKT 40B21T X 7/8 HEX BORE		
8.	195-159H	SPKT 40B44T X 7/8 HEX BORE		
9.	195-210D	HEX SHAFT 7/8,FERT JACKSHAFT 2		
10.	195-268D	HEX SHAFT 7/8,FERT JACKSHAFT		
11.	195-269H	40'-3S FERT DRIVE WELDMENT RH		
12.	802-034C	HHCS 1/2-13X1 1/4 GR5		
13.	802-041C	HHCS 1/2-13X3 1/2 GR5		
14.	802-282C	RHSNB 5/16-18X1 GR5		
15.	803-008C	NUT HEX 5/16-18 PLT		
16.	803-020C	NUT HEX 1/2-13 PLT		
17.	803-036C	NUT HEX JAM 1/2-13 PLT		
18.	804-009C	WASHER LOCK SPRING 5/16 PLT		
19.	804-015C	WASHER LOCK SPRING 1/2 PLT		
20.	804-113C	WASHER FLAT 1/2 USS HARD PLT		
21.	805-180C	PIN ROLL 1/4 X 1 1/2 LG PLT		
22.	805-240C	PIN LINCH 3/16 X 1 9/16 LONG		
23.	808-260C	SPKT 40B12 X 7/8 HEX BORE		
24.	817-025C	NO. 40 12T IDLER SPKT.		
25.	822-032C	FLANGETTE 52 MST		
26.	822-119C	BRG 7/8HEXX2.05OD SPH		
27.	802-130C	HHCS 1/2-13X2 1/2 GR5		

Jaw Clutch

(Applies to 3S-5000, 3S-5000F, 3S-5000HD, 3S-5000HDF only)



10249

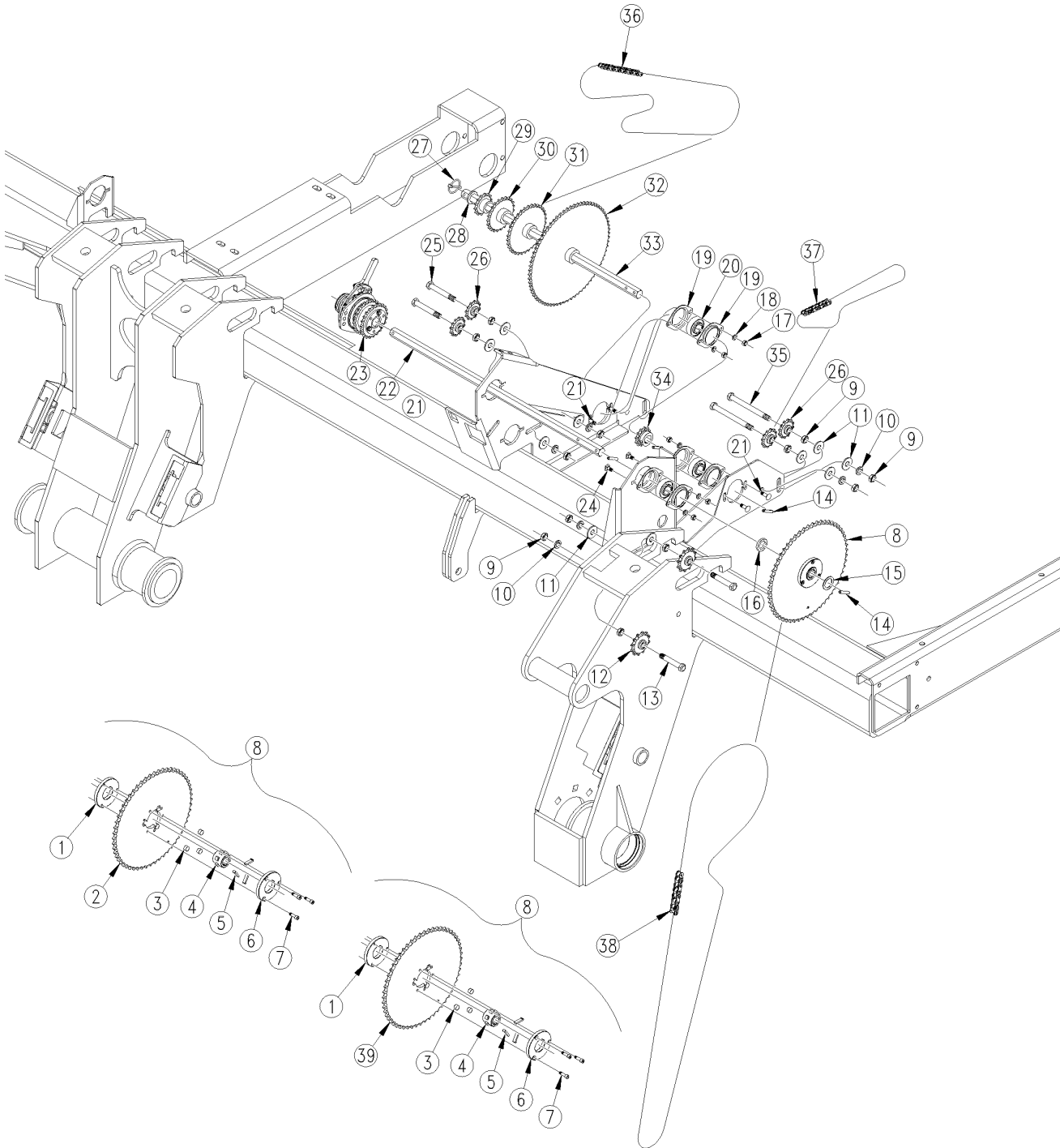
Jaw Clutch

(Applies to 3S-5000, 3S-5000F, 3S-5000HD, 3S-5000HDF only)

Ref	Part No.	Part Description	Comments	Revision
	dwg10249	Image No.		
1.	800-177C	SNAP RING EXT 1 1/4 HEAVY		
2.	176-065D	CLUTCH FRICTION WASHER		
3.	817-111C	BSHG FLG 1.26IDX1.41ODX.87L		
4.	176-078D	CLUTCH DRIVE PLATE LONG - CW		
5.	176-080D	CLUTCH ARM PLATE		
6.	176-076D	CLUTCH SLIDE PLATE - CW		
7.	176-084D	CLUTCH HUB 7/8 HEX BORE		
8.	807-097C	SPRING COMP 2 1/16 OD X 4 LG		
9.	176-066D	CLUTCH SPRING RETAINER		
10.	805-024C	PIN ROLL 3/16X 1 1/2 PLT		
11.	176-042S	JAW CLUTCH CW EXT 7/8 HEX		

Left Hand Drive

(Applies to 3S-5000, 3S-5000F, 3S-5000HD, 3S-5000HDF only)



34343

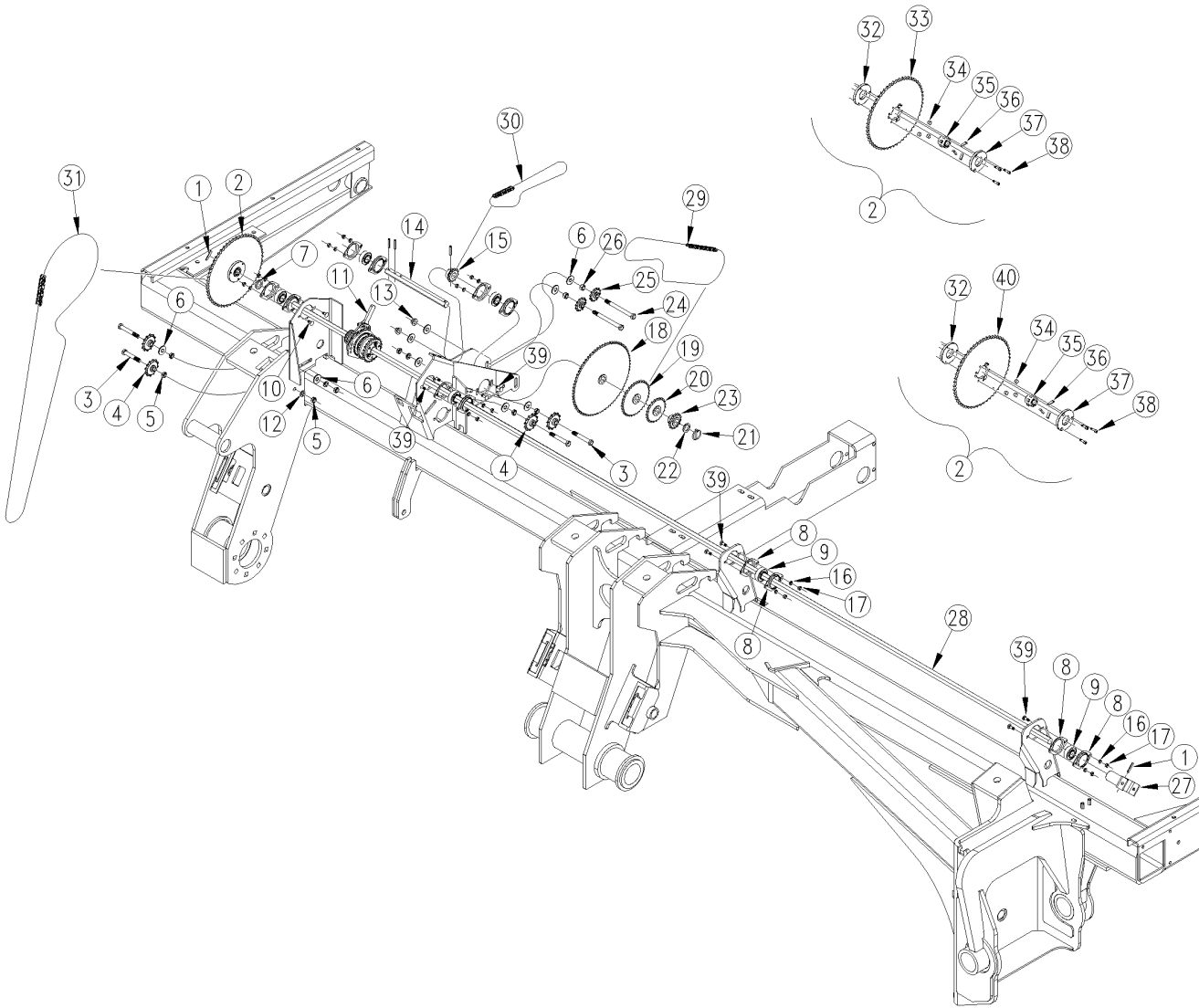
Left Hand Drive

(Applies to 3S-5000, 3S-5000F, 3S-5000HD, 3S-5000HDF only)

Ref	Part No.	Part Description	Comments	Revision
	dwg34343	Image No.		
1.	402-050D	CLUTCH, SIDE PLATE TAPPED		
2.	808-450C	SPKT 50A56 SPECIAL BORE	(S/N C1286L-)	
3.	402-376D	POLYURETHANE ROD SPRING 5/16 L		
4.	890-954C	HUB RATCHET SPKT #50		
5.	403-751D	KEY RATCHET CLUTCH #50 SPKT		
6.	402-051D	CLUTCH, SIDE PLATE C/BORED		
7.	802-418C	HSNCS 1/4-20X7/8		
8.	195-321S	SPKT 50C56 RATCHET DRIVE	(S/N C1286L-) Includes items: 1-7	
8.	195-436S	SPKT 50C51 RATCHET DRIVE	(S/N C1287L+) Includes items: 1, 3-7 & 39	
9.	803-036C	NUT HEX JAM 1/2-13 PLT		
10.	804-015C	WASHER LOCK SPRING 1/2 PLT		
11.	804-113C	WASHER FLAT 1/2 USS HARD PLT		
12.	817-423C	NO. 50 12T IDLER SPKT		
13.	802-039C	HHCS 1/2-13X3 GR5		
14.	805-180C	PIN ROLL 1/4 X 1 1/2 LG PLT		
15.	804-061C	WASHER MACH 1.50 X 1.00 X 18GA		
16.	195-376D	7/8 HEX WASHER X .21		
17.	803-008C	NUT HEX 5/16-18 PLT		
18.	804-009C	WASHER LOCK SPRING 5/16 PLT		
19.	822-032C	FLANGETTE 52 MST		
20.	822-119C	BRG 7/8HEXX2.05OD SPH		
21.	802-282C	RHSNB 5/16-18X1 GR5		
22.	195-375D	POWER SHAFT 7/8 HEX LH		
23.	195-187K	3S-3000F LH WING CLUTCH ASSY	Refer to Clutch Breakdown (195-187K)	
24.	802-092C	RHSNB 5/16-18X3/4 GR5		
25.	802-041C	HHCS 1/2-13X3 1/2 GR5		
26.	817-025C	NO. 40 12T IDLER SPKT.		
27.	805-240C	PIN LINCH 3/16 X 1 9/16 LONG		
28.	195-243D	7/8 HEX SPROCKET WASHER		
29.	808-259C	SPKT 40B14 X 7/8 HEX BORE		
30.	808-256C	SPKT 40C23 X 7/8 HEX BORE		
31.	808-257C	SPKT 40B34 X 7/8 HEX BORE		
32.	808-258C	SPKT 40B72 X 7/8 HEX BORE		
33.	195-172D	SEED JACKSHAFT 7/8 HEX CENTER		
34.	808-143C	SPKT 40B12 7/8 HEX BORE W/SS		
35.	802-046C	HHCS 1/2-13X5 1/2 GR5		
36.	136-122D	CHAIN RL #40 129 PITCHES		
37.	136-052D	CHAIN RL #40 69 PITCHES		
38.	136-275D	CHAIN RL #50 163 PITCHES	(S/N C1286L-)	
38.	136-294D	CHAIN RL #50 160 PITCHES	(S/N C1287L+)	
39.	808-488C	SPKT 50A51 SPECIAL BORE	(S/N C1287L+)	

Right Hand Drive

(Applies to 3S-5000, 3S-5000F, 3S-5000HD, 3S-5000HDF only)



34339

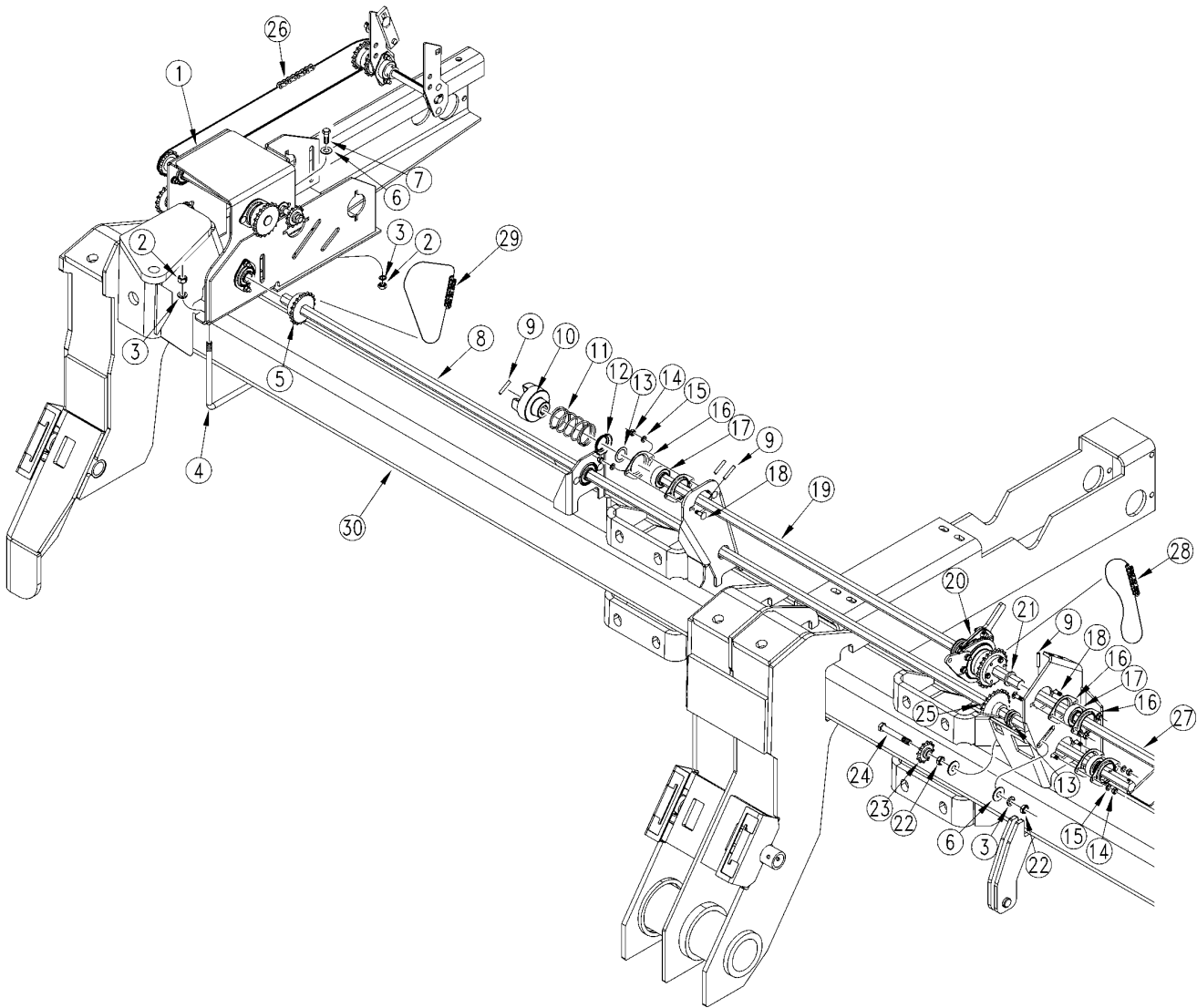
Right Hand Drive

(Applies to 3S-5000, 3S-5000F, 3S-5000HD, 3S-5000HDF only)

Ref	Part No.	Part Description	Comments	Revision
	dwg34339	Image No.		
1.	805-180C	PIN ROLL 1/4 X 1 1/2 LG PLT		
2.	195-321S	SPKT 50C56 RATCHET DRIVE	(S/N C1286L-) Includes items: 32-38	
2.	195-436S	SPKT 50C51 RATCHET DRIVE	(S/N C1287L+) Includes items: 32, 34-38 & 40	
3.	802-041C	HHCS 1/2-13X3 1/2 GR5		
4.	817-423C	NO. 50 12T IDLER SPKT		
5.	803-036C	NUT HEX JAM 1/2-13 PLT		
6.	804-113C	WASHER FLAT 1/2 USS HARD PLT		
7.	195-376D	7/8 HEX WASHER X .21		
8.	822-032C	FLANGETTE 52 MST		
9.	822-119C	BRG 7/8HEXX2.05OD SPH		
10.	802-092C	RHSNB 5/16-18X3/4 GR5		
11.	195-187K	3S-3000F LH WING CLUTCH ASSY	Refer to Clutch Breakdown (195-187K)	
12.	804-015C	WASHER LOCK SPRING 1/2 PLT		
13.	803-169C	NUT HEX FLG LOCK 1/2-13 PLT		
14.	195-169D	SEED JACK SHAFT 7/8 HEX WING		
15.	808-143C	SPKT 40B12 7/8 HEX BORE W/SS		
16.	804-009C	WASHER LOCK SPRING 5/16 PLT		
17.	803-008C	NUT HEX 5/16-18 PLT		
18.	808-258C	SPKT 40B72 X 7/8 HEX BORE		
19.	808-257C	SPKT 40B34 X 7/8 HEX BORE		
20.	808-256C	SPKT 40C23 X 7/8 HEX BORE		
21.	805-240C	PIN LINCH 3/16 X 1 9/16 LONG		
22.	195-243D	7/8 HEX SPROCKET WASHER		
23.	808-259C	SPKT 40B14 X 7/8 HEX BORE		
24.	802-046C	HHCS 1/2-13X5 1/2 GR5		
25.	817-025C	NO. 40 12T IDLER SPKT.		
26.	803-020C	NUT HEX 1/2-13 PLT		
27.	195-129H	U-JOINT YOKE, 7/8 HEX BORE		
28.	195-431D	POWER SHAFT 7/8 HEX RH OUTPUT		
29.	136-122D	CHAIN RL #40 129 PITCHES		
30.	136-052D	CHAIN RL #40 69 PITCHES		
31.	136-275D	CHAIN RL #50 163 PITCHES	(S/N C1286L-)	
31.	136-294D	CHAIN RL #50 160 PITCHES	(S/N C1287L+)	
32.	402-050D	CLUTCH, SIDE PLATE TAPPED		
33.	808-450C	SPKT 50A56 SPECIAL BORE	(S/N C1286L-)	
34.	402-376D	POLYURETHANE ROD SPRING 5/16 L		
35.	890-954C	HUB RATCHET SPKT #50		
36.	403-751D	KEY RATCHET CLUTCH #50 SPKT		
37.	402-051D	CLUTCH, SIDE PLATE C/BORED		
38.	802-418C	HSHCS 1/4-20X7/8		
39.	802-282C	RHSNB 5/16-18X1 GR5		
40.	808-488C	SPKT 50A51 SPECIAL BORE	(S/N C1287+)	

Small Seeds Drive

(Applies to 3S-5000, 3S-5000F, 3S-5000HD, 3S-5000HDF only)



34355

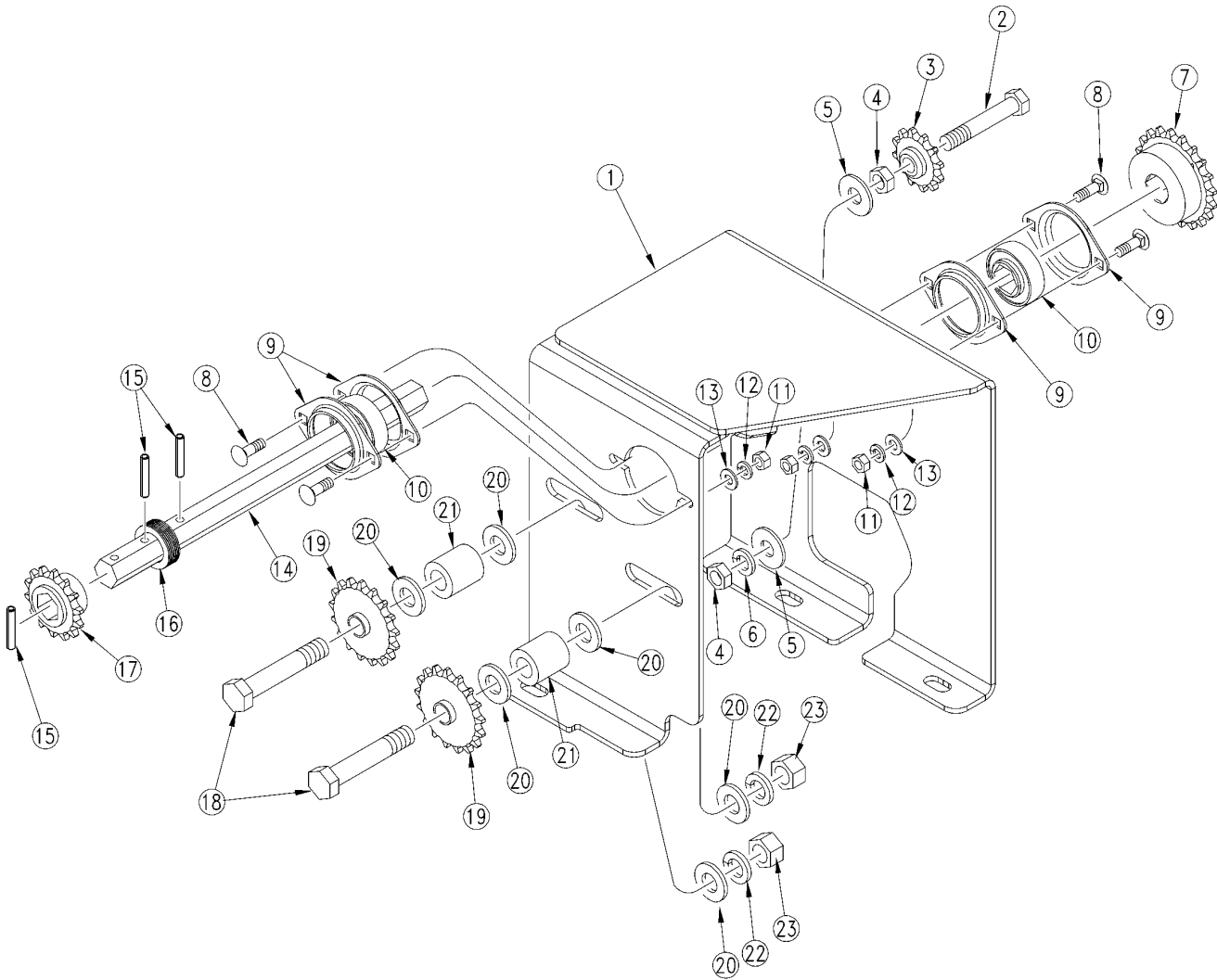
Small Seeds Drive

(Applies to 3S-5000, 3S-5000F, 3S-5000HD, 3S-5000HDF only)

Ref	Part No.	Part Description	Comments	Revision
	dwg34355	Image No.		
1.	133-324K	SML SDS ON FERT JS MNT ASY		
2.	803-020C	NUT HEX 1/2-13 PLT		
3.	804-015C	WASHER LOCK SPRING 1/2 PLT		
4.	806-060C	U-BOLT 1/2-13 X 6 1/32 X 7 1/4		
5.	808-194C	SPKT 40B22 7/8 HEX BORE & SS		
6.	804-113C	WASHER FLAT 1/2 USS HARD PLT		
7.	802-034C	HHCS 1/2-13X1 1/4 GR5		
8.	195-422D	HEX SHAFT 7/8,5000 FERT JS CTR		
9.	805-180C	PIN ROLL 1/4 X 1 1/2 LG PLT		
10.	195-109D	BRKAWAY CLUTCH 7/8 HX LONG BR		
11.	807-097C	SPRING COMP 2 1/16 OD X 4 LG		
12.	822-032C	FLANGETTE 52 MST		
13.	804-061C	WASHER MACH 1.50 X 1.00 X 18GA		
14.	803-008C	NUT HEX 5/16-18 PLT		
15.	804-009C	WASHER LOCK SPRING 5/16 PLT		
16.	822-032C	FLANGETTE 52 MST		
17.	822-119C	BRG 7/8HEXX2.05OD SPH		
18.	802-282C	RHSNB 5/16-18X1 GR5		
19.	195-419D	HEX SHAFT 7/8 X 46 3/8 DRILLED		
20.	195-272K	3S-4000F CTR CLUTCH ASSY	Refer to Clutch Breakdown (195-272K)	
21.	195-243D	7/8 HEX SPROCKET WASHER		
22.	803-036C	NUT HEX JAM 1/2-13 PLT		
23.	817-025C	NO. 40 12T IDLER SPKT.		
24.	802-041C	HHCS 1/2-13X3 1/2 GR5		
25.	808-256C	SPKT 40C23 X 7/8 HEX BORE		
26.	136-154D	CHAIN RL #40 214 PITCHES		
27.	195-418D	ACRE METER SHAFT		
28.	136-064D	CHAIN RL #40 51 PITCHES		
29.	136-078D	CHAIN RL #40 52 PITCHES		
30.	194-053H	3S-5000 RH WING FRAME		
30.	194-054H	3S-5000 CENTER FRAME		
30.	194-055H	3S-5000 WING FRAME LH		

Small Seeds Drive Subassembly

(Applies to 3S-5000, 3S-5000F, 3S-5000HD, 3S-5000HDF only)



27417

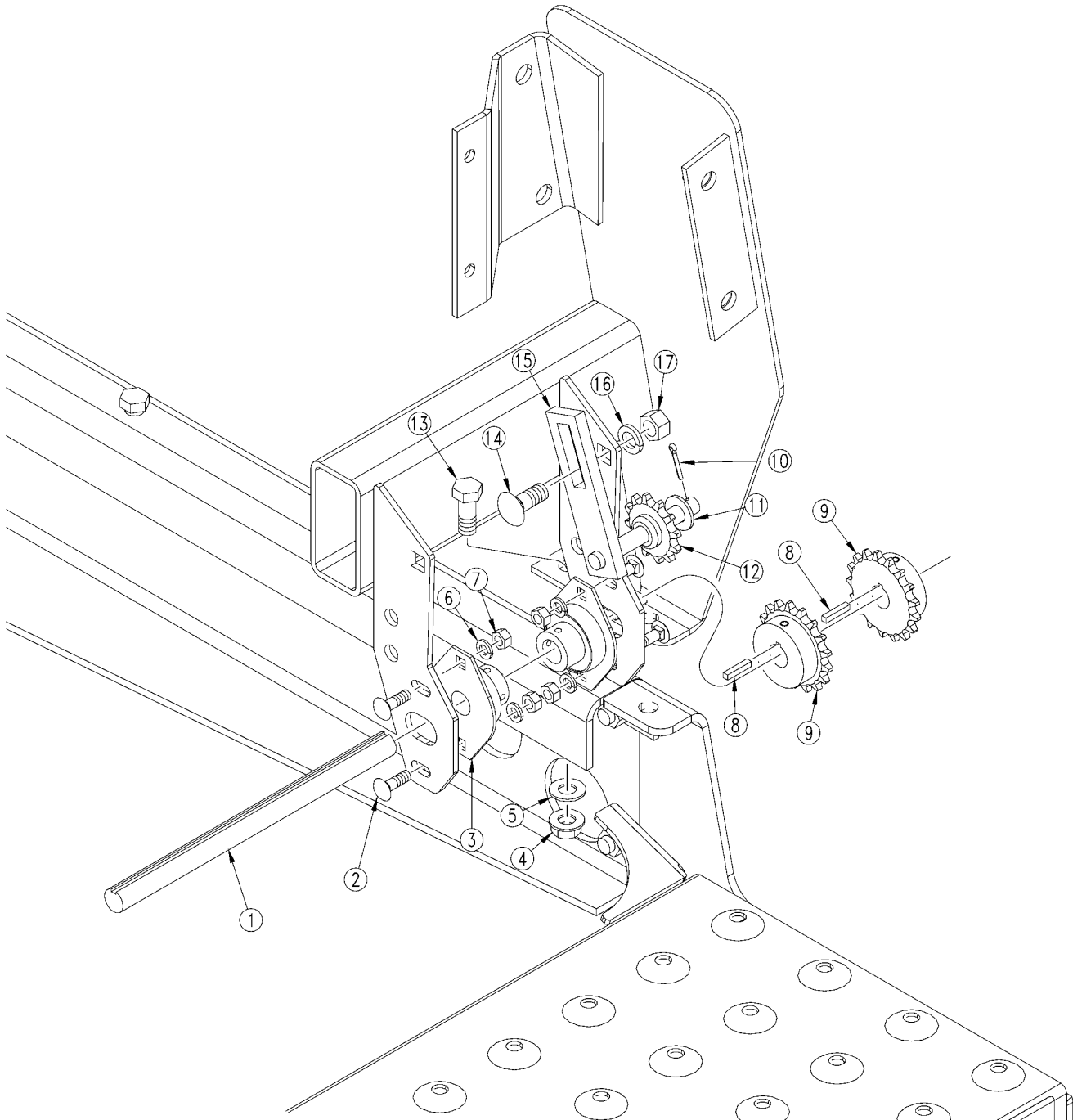
Small Seeds Drive Subassembly

(Applies to 3S-5000, 3S-5000F, 3S-5000HD, 3S-5000HDF only)

Ref	Part No.	Part Description	Comments	Revision
	dwg27417	Image No.		
1.	133-323H	SML SDS ON FERT JS MNT WLMT		
2.	802-039C	HHCS 1/2-13X3 GR5		
3.	817-025C	NO. 40 12T IDLER SPKT.		
4.	803-036C	NUT HEX JAM 1/2-13 PLT		
5.	804-113C	WASHER FLAT 1/2 USS HARD PLT		
6.	804-015C	WASHER LOCK SPRING 1/2 PLT		
7.	808-194C	SPKT 40B22 7/8 HEX BORE & SS		
8.	802-282C	RHSNB 5/16-18X1 GR5		
9.	822-032C	FLANGETTE 52 MST		
10.	822-119C	BRG 7/8HEXX2.05OD SPH		
11.	803-008C	NUT HEX 5/16-18 PLT		
12.	804-009C	WASHER LOCK SPRING 5/16 PLT		
13.	804-036C	WASHER FLAT 5/16 SAE PLT		
14.	133-101D	SML SDS ON FERT JS		
15.	805-180C	PIN ROLL 1/4 X 1 1/2 LG PLT		
16.	804-061C	WASHER MACH 1.50 X 1.00 X 18GA		
17.	808-259C	SPKT 40B14 X 7/8 HEX BORE		
18.	802-162C	HHCS 5/8-11X3 1/2 GR5		
19.	808-146C	SPKT 40C29 X 7/8 HEX BORE		
20.	804-095C	WASHER FLAT 5/8 HARD ASTM436		
21.	166-389D	AUGER PIVOT ARM LOCK TUBE		
22.	804-022C	WASHER LOCK SPRING 5/8 PLT		
23.	803-021C	NUT HEX 5/8-11 PLT		

Small Seeds to Drive

(Applies to 3S-5000, 3S-5000F, 3S-5000HD, 3S-5000HDF only)



34356

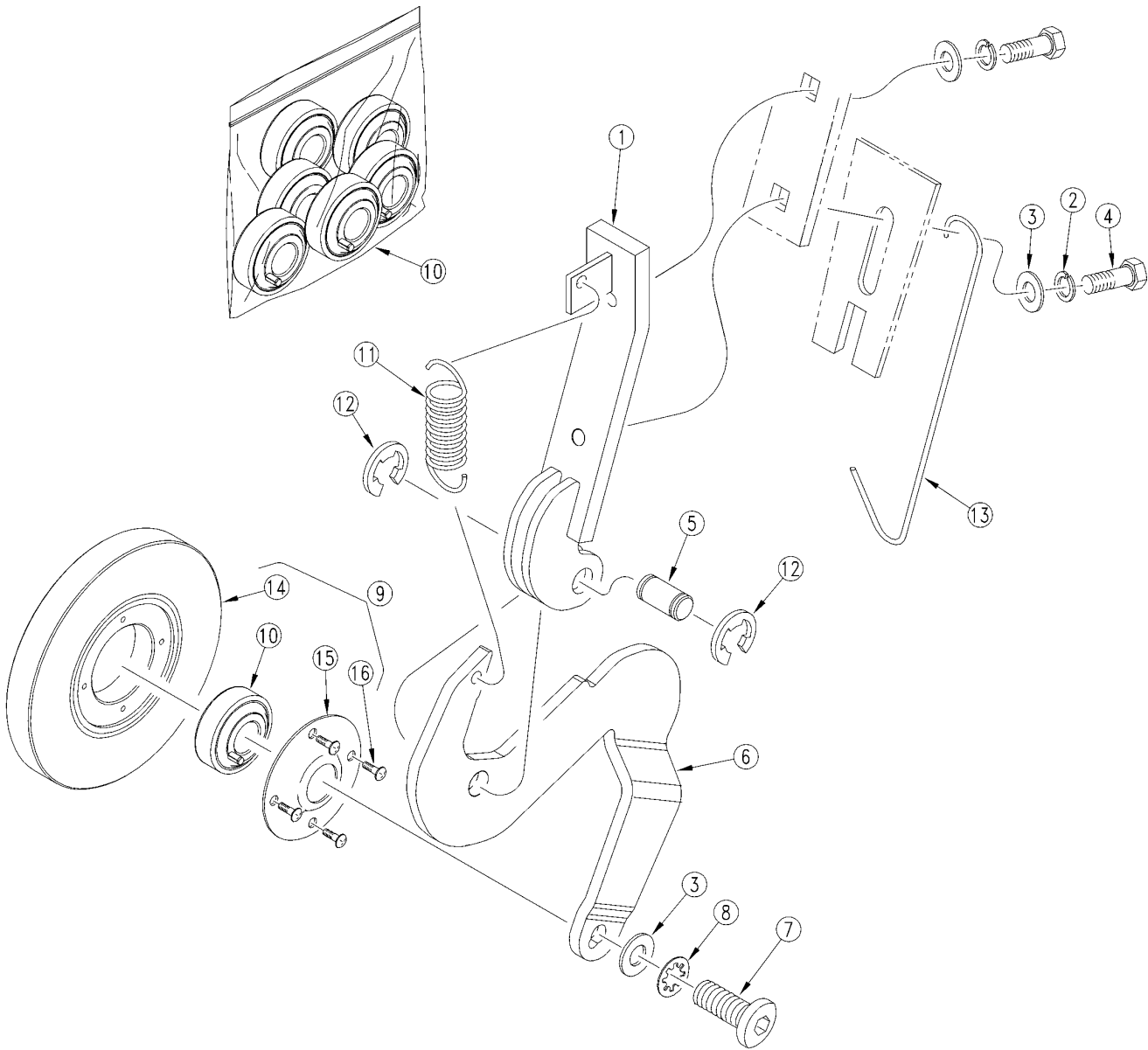
Small Seeds to Drive

(Applies to 3S-5000, 3S-5000F, 3S-5000HD, 3S-5000HDF only)

Ref	Part No.	Part Description	Comments	Revision
	dwg34356	Image No.		
1.	133-024D	RND SHAFT 3/4 X 11 W/KW		
2.	802-282C	RHSNB 5/16-18X1 GR5		
3.	822-126C	BRG FLG .75ID 2BOLT		
4.	803-169C	NUT HEX FLG LOCK 1/2-13 PLT		
5.	804-113C	WASHER FLAT 1/2 USS HARD PLT		
6.	804-009C	WASHER LOCK SPRING 5/16 PLT		
7.	803-008C	NUT HEX 5/16-18 PLT		
8.	168-127D	3/16 X 1 KEY		
9.	808-170C	SPKT 40B17 X 3/4BORE W/KW&SS		
10.	805-067C	PIN COTTER 1/8 X 3/4		
11.	804-016C	WASHER FLAT 1/2 SAE PLT		
12.	817-025C	NO. 40 12T IDLER SPKT.		
13.	802-203C	HFSS 1/2-13X1 1/2 GR5		
14.	802-214C	RHSNB 1/2-13X1 1/4 GR5		
15.	133-051H	SLOTTED IDLER ARM 1/2 X 3 5/8		
16.	804-015C	WASHER LOCK SPRING 1/2 PLT		
17.	803-020C	NUT HEX 1/2-13 PLT		

00 6" Seed-Lok (Option)

(Applies to 3S-5000, 3S-5000F only)



34371

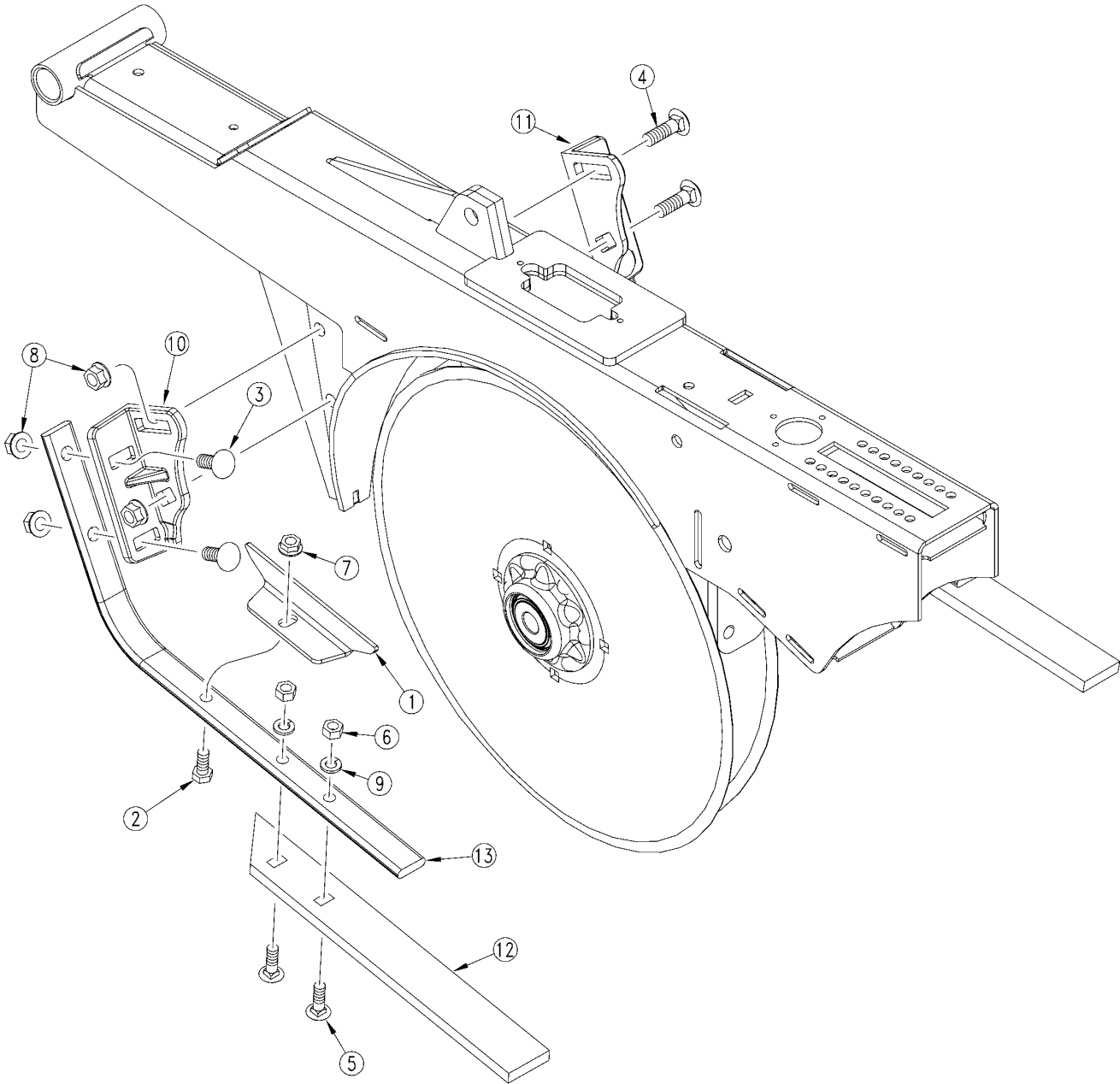
00 6" Seed-Lok (Option)

(Applies to 3S-5000, 3S-5000F only)

Ref	Part No.	Part Description	Comments	Revision
	dwg34371	Image No.		
1.	122-173H	SS RMVBL SD-LOK MNT WLDMT		
2.	804-013C	WASHER LOCK SPRING 3/8 PLT		
3.	804-012C	WASHER FLAT 3/8 SAE PLT		
4.	802-017C	HHCS 3/8-16X1 GR5		
5.	122-120D	5 SEED-LOK WHL ARM PIVOT PIN		
6.	122-151D	SEED-LOK ARM (1994)		
7.	801-141C	LHS CP 3/8-16X3/4 GR8 PLATED		
8.	804-078C	WASHER INTERNAL STAR 3/8 PLT.		
9.	206-014S	6 SEED LOK ASSEMBLY		
10.	188-008V	BRG 203 SEED-LOK WITH PIN		
11.	807-101C	SPRING, 1 O.D.X.125WIREX 3 1/2		
12.	800-093C	SNAP RING EXT E 1/2		
13.	800-310C	SEED LOK HANGER SPRING		
14.	817-191C	5/8 X 6 SEED LOK WHEEL		
15.	816-173C	RETAINER W/BONDED SEAL 4BLT		
16.	801-084C	SCR TH THD FMG #8-10X1/2 TP ZP		

00 HD Knock Down Kits

(Applies to 3S-5000, 3S-5000F, 3S-5000HD, 3S-5000HDF only)



27495

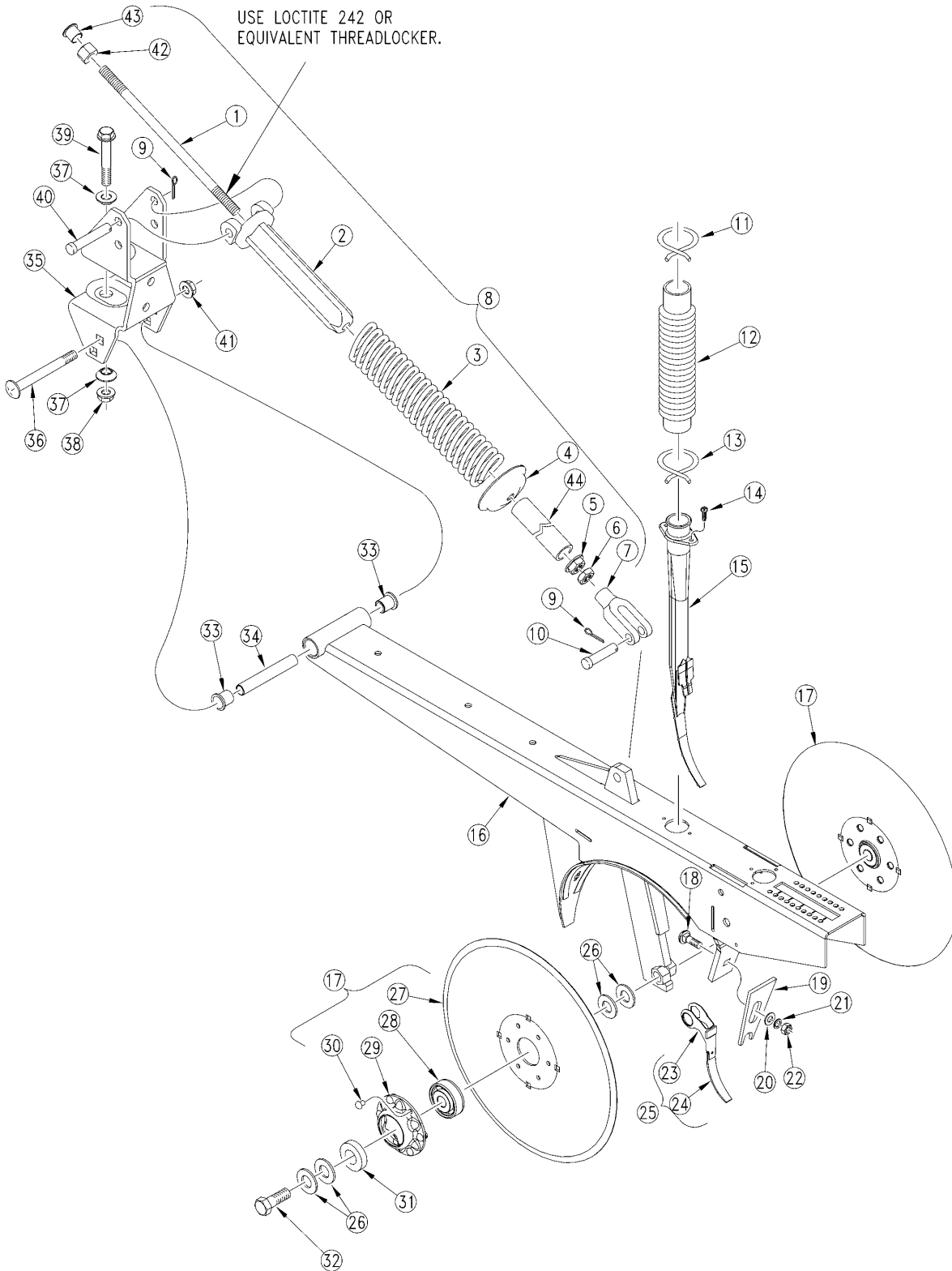
00 HD Knock Down Kits

(Applies to 3S-5000, 3S-5000F, 3S-5000HD, 3S-5000HDF only)

Ref	Part No.	Part Description	Comments	Revision
	dwg36407	Image No.		
1.	122-178D	KNOCK DOWN DISK SCRAPER		
2.	802-007C	HHCS 5/16-18X3/4 GR5		
3.	802-015C	RHSNB 3/8-16X1 GR5		
4.	802-155C	RHSNB 3/8-16X1 1/4 GR5	122-279A only	
5.	802-282C	RHSNB 5/16-18X1 GR5		
6.	803-008C	NUT HEX 5/16-18 PLT		
7.	803-177C	NUT HEX FLG TP LK 5/16-18ZNYCR		
8.	803-209C	NUT FLANGE LOCK 3/8-16 PLT		
9.	804-009C	WASHER LOCK SPRING 5/16 PLT		
10.	812-366C	LH KNOCK DOWN TINE BASE	122-279A only	
11.	812-367C	RH KNOCK DOWN TINE BASE	122-279A only	
12.	817-869C	POLY TRASH KNOCK DOWN BAR		
13.	820-431C	TRASH KNOCK DOWN TINE		

00 Series Long Arm Opener

(Applies to 3S-5000, 3S-5000F only)



34367

00 Series Long Arm Opener

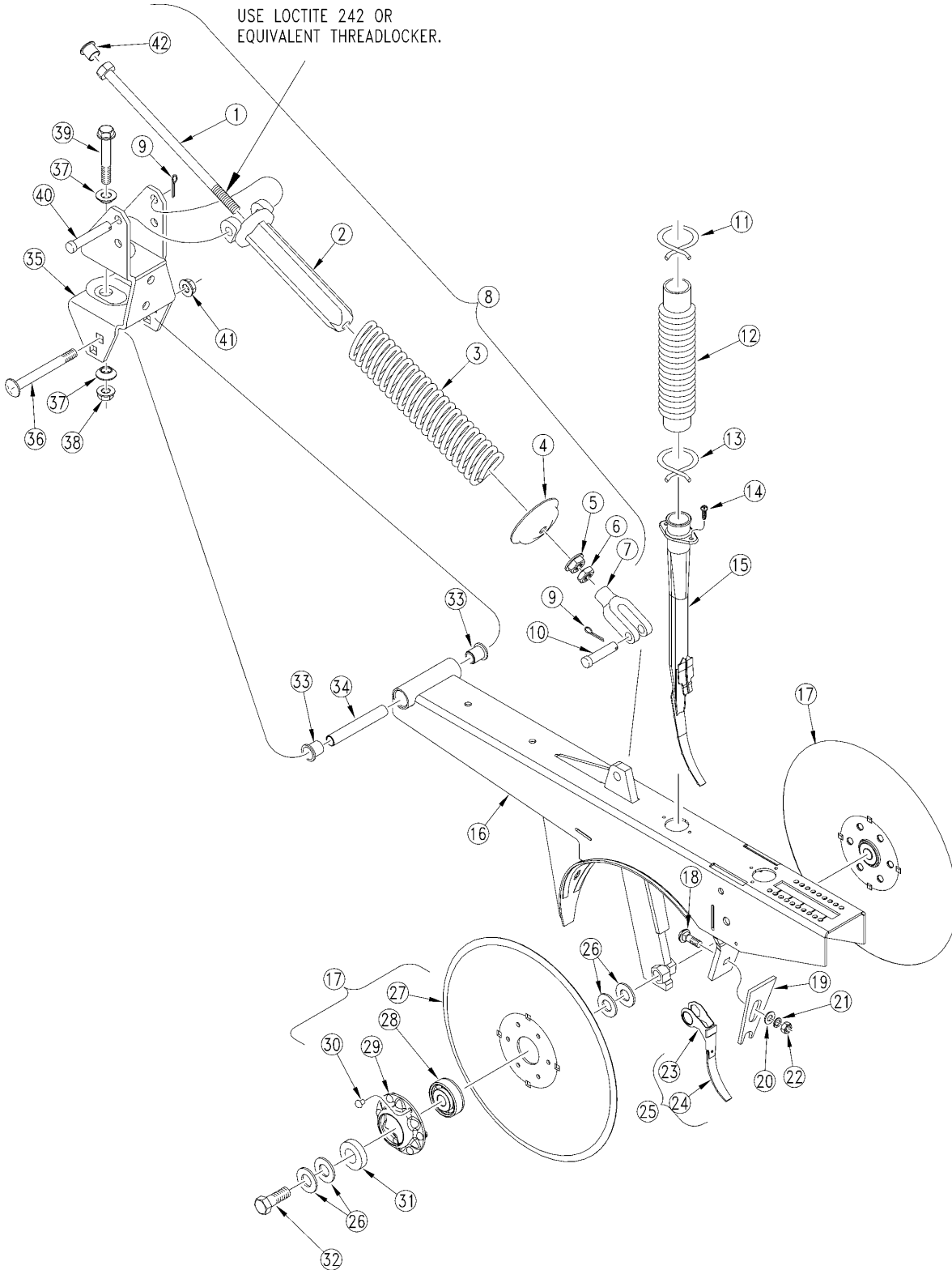
(Applies to 3S-5000, 3S-5000F only)

Ref	Part No.	Part Description	Comments	Revision
	dwg34367	Image No.		
1.	800-322C	STUD 1/2-13X17.6 SPTHDBBLEND		
2.	812-236C	OPNR SPRING RD TRUNION CASTING		
3.	807-159C	SPRING COMP 2 1/2ODX3/8X12 7/8		
4.	121-154D	SPRING STOP STAMPING		
5.	803-193C	NUT HEX FLANGE 1/2-13 GR G PLT		
6.	803-036C	NUT HEX JAM 1/2-13 PLT		
7.	121-166D	ADJ. YOKE END		
8.	121-762S	OPENER SPRING ROD ASSY. LONG	Includes items 1-7, and 42-44	
9.	805-109C	PIN COTTER 1/8 X 1 1/4 PLT		
10.	805-127C	PIN CLEVIS 1/2 X 1 3/4		
11.	800-009C	CLAMP HOSE 1 5/8 NO. 26		
12.	816-239C	SEED HOSE 56 RIBS X 11 LONG		
13.	800-008C	CLAMP HOSE 1 1/2 NO. 24		
14.	801-002C	SCREW HEX SLT10-16X1/2P.THD CT		
15.	817-314C	OPENER SEED TUBE, PLASTIC		
16.	121-702H	OPENER WELDMENT - LONG		
17.	107-138S	DD W/205 BRG-PLD FLNG-4MM	Includes items 27-30	
18.	802-015C	RHSNB 3/8-16X1 GR5		
19.	107-113D	D.D. SLOTTED SCRAPER		
20.	804-012C	WASHER FLAT 3/8 SAE PLT		
21.	804-013C	WASHER LOCK SPRING 3/8 PLT		
22.	803-014C	NUT HEX 3/8-16 PLT		
23.	121-164D	HEX SEED FLAP MOUNTING CLIP		
24.	816-302C	SEED FLAP, RUBBER, SEED-LOK		
25.	122-242S	SEED FLAP & HEX CLIP, SEEDLOK	Includes items 23, and 24	
26.	804-040C	WASHER MACH 1.19 X .63 X 18GA		
27.	820-256C	FLAT DISK BLADE-4MM THICK		
28.	188-001V	BRG AA205DD		
29.	890-466C	HSG RIBB FLG 6BOLT PLT		
30.	800-213C	RIVET,BUTTON HEAD 1/4 X 1/2		
31.	107-111D	DD BRG FLANGE DUST COVER		
32.	802-228C	HHCS 5/8-11X1 1/2 GR5 NYL		
33.	817-084C	PARALLEL ARM PIVOT BUSHING		
34.	142-198D	STRAIGHT ARM OPENER PIVOT PIPE		
35.	121-151D	OPENER MOUNTING BRACKET		
36.	802-121C	RHSNB 1/2-13X5 1/2 GR5		
37.	804-154C	WASHER POWDER METAL CONE 1/2		
38.	803-037C	NUT HEX WHIZ 1/2-13 PLT		
39.	802-045C	HHCS 1/2-13X5 GR5		
40.	805-234C	PIN CLEVIS 1/2 X 4 PLATED		
41.	803-169C	NUT HEX FLG LOCK 1/2-13 PLT		
42.	803-310C	NUT HEX 1/2-20 X 5/8 HIGH		
43.	816-306C	PLUG, SPRING ROD CASTING		
44.	121-169D	SPACER TB ALUM 1ODX 1/2 X 7.28		

[Table of Contents](#) [Part Number Index](#)

00 Series Short Arm Opener

(Applies to 3S-5000, 3S-5000F only)



34369

00 Series Short Arm Opener

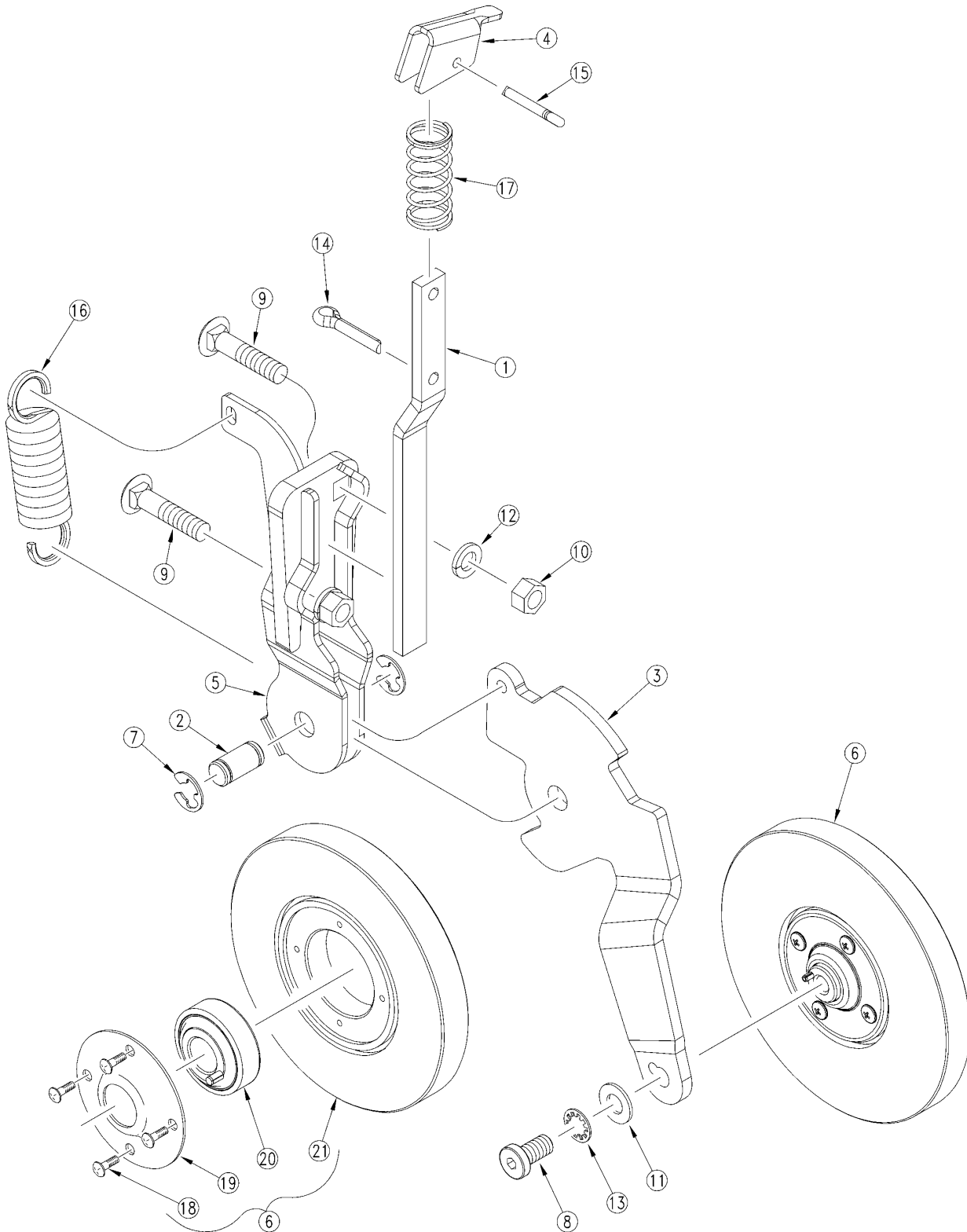
(Applies to 3S-5000, 3S-5000F only)

Ref	Part No.	Part Description	Comments	Revision
	dwg34369	Image No.		
1.	802-550C	HHCS 1/2-13X10 SPTHD GR8		
2.	812-236C	OPNR SPRING RD TRUNION CASTING		
3.	807-159C	SPRING COMP 2 1/2ODX3/8X12 7/8		
4.	121-154D	SPRING STOP STAMPING		
5.	803-193C	NUT HEX FLANGE 1/2-13 GR G PLT		
6.	803-036C	NUT HEX JAM 1/2-13 PLT		
7.	121-166D	ADJ. YOKE END		
8.	121-763S	OPENER SPRING ROD ASSY. SHRT.	Includes items 1-7, and 42-43	
9.	805-109C	PIN COTTER 1/8 X 1 1/4 PLT		
10.	805-127C	PIN CLEVIS 1/2 X 1 3/4		
11.	800-009C	CLAMP HOSE 1 5/8 NO. 26		
12.	816-239C	SEED HOSE 56 RIBS X 11 LONG		
13.	800-008C	CLAMP HOSE 1 1/2 NO. 24		
14.	801-002C	SCREW HEX SLT10-16X1/2P.THD CT		
15.	817-314C	OPENER SEED TUBE, PLASTIC		
16.	121-703H	OPENER WELDMENT - SHORT		
17.	107-138S	DD W/205 BRG-PLD FLNG-4MM	Includes items 27-30	
18.	802-015C	RHSNB 3/8-16X1 GR5		
19.	107-113D	D.D. SLOTTED SCRAPER		
20.	804-012C	WASHER FLAT 3/8 SAE PLT		
21.	804-013C	WASHER LOCK SPRING 3/8 PLT		
22.	803-014C	NUT HEX 3/8-16 PLT		
23.	121-164D	HEX SEED FLAP MOUNTING CLIP		
24.	816-302C	SEED FLAP, RUBBER, SEED-LOK		
25.	122-242S	SEED FLAP & HEX CLIP, SEEDLOK	Includes items 23, and 24	
26.	804-040C	WASHER MACH 1.19 X .63 X 18GA		
27.	820-256C	FLAT DISK BLADE-4MM THICK		
28.	188-001V	BRG AA205DD		
29.	890-466C	HSG RIBB FLG 6BOLT PLT		
30.	800-213C	RIVET,BUTTON HEAD 1/4 X 1/2		
31.	107-111D	DD BRG FLANGE DUST COVER		
32.	802-228C	HHCS 5/8-11X1 1/2 GR5 NYL		
33.	817-084C	PARALLEL ARM PIVOT BUSHING		
34.	142-198D	STRAIGHT ARM OPENER PIVOT PIPE		
35.	121-151D	OPENER MOUNTING BRACKET		
36.	802-121C	RHSNB 1/2-13X5 1/2 GR5		
37.	804-154C	WASHER POWDER METAL CONE 1/2		
38.	803-037C	NUT HEX WHIZ 1/2-13 PLT		
39.	802-045C	HHCS 1/2-13X5 GR5		
40.	805-234C	PIN CLEVIS 1/2 X 4 PLATED		
41.	803-169C	NUT HEX FLG LOCK 1/2-13 PLT		
42.	816-306C	PLUG, SPRING ROD CASTING		

[Table of Contents](#) [Part Number Index](#)

HD 00 6" Seed-Lok

(Applies to 3S-5000HD, 3S-5000HDF only)



24429

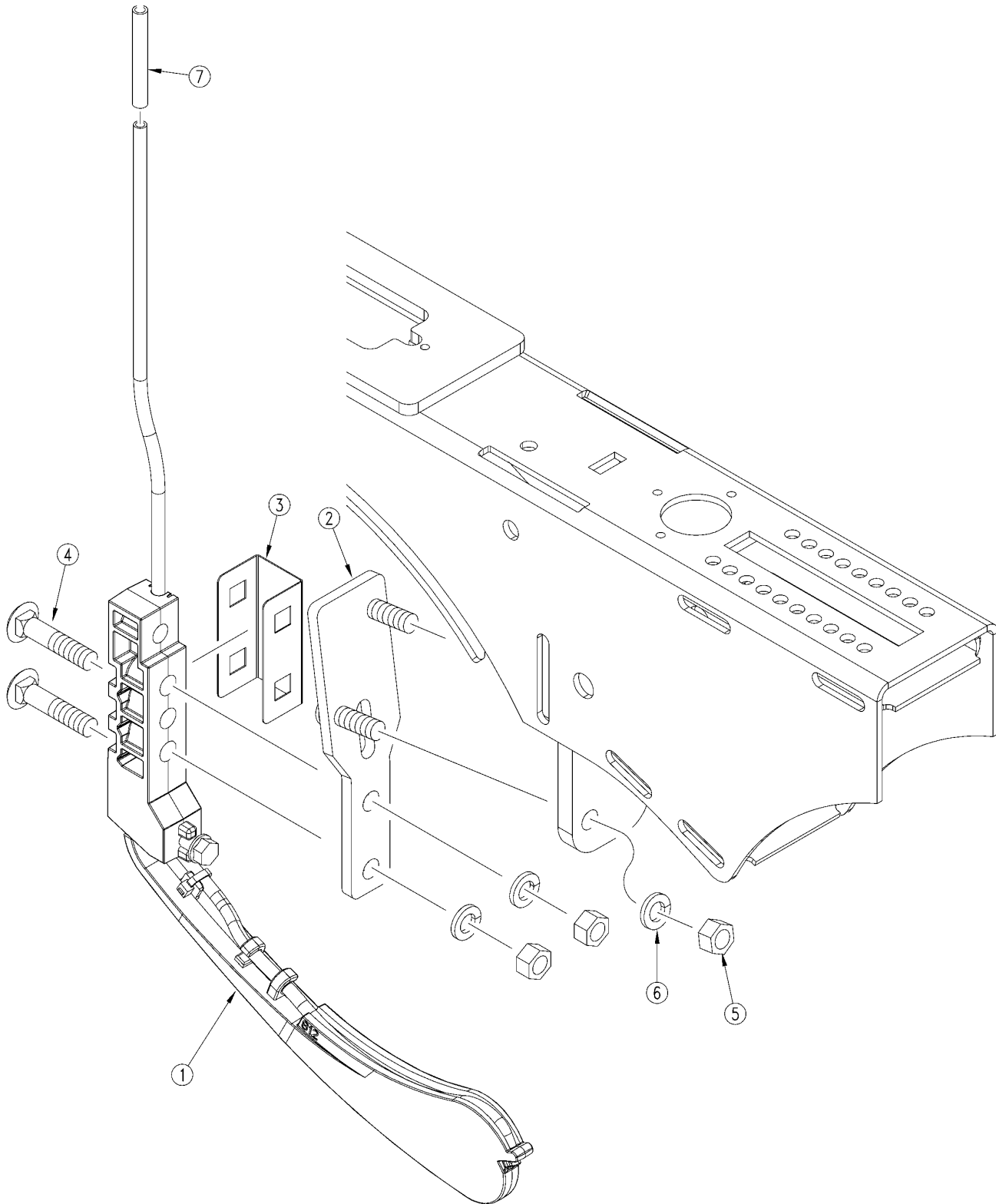
HD 00 6" Seed-Lok

(Applies to 3S-5000HD, 3S-5000HDF only)

Ref	Part No.	Part Description	Comments	Revision
	dwg24429	Image No.		
1.	122-003D	00 HD SER SEED LOK LOCK-UP BAR		
2.	122-120D	5 SEED-LOK WHL ARM PIVOT PIN		
3.	122-164D	SEED LOCK ARM, SINGULATING		
4.	122-166D	SEED LOCK LOCK-UP CAM		
5.	122-250H	SEED LOCK MOUNT, SINGULATING		
6.	206-014S	6 SEED LOK ASSEMBLY		
7.	800-093C	RING SNAP EXTERNAL "E" 1/2		
8.	801-141C	LHS CP 3/8-16X3/4 GR8 PLATED		
9.	802-252C	RHSNB 3/8-16X1 3/4 GR5		
10.	803-014C	NUT HEX 3/8-16 PLT		
11.	804-012C	WASHER FLAT 3/8 SAE PLT		
12.	804-013C	WASHER LOCK SPRING 3/8 PLT		
13.	804-078C	WASHER INTERNAL STAR 3/8 PLT.		
14.	805-020C	PIN COTTER 1/4 X 1 PLT		
15.	805-069C	PIN COTTER 3/16 X 1		
16.	807-101C	SPRING, 1 O.D.X.125WIREX 3 1/2		
17.	807-188C	SPRING COMP .85ODX2.0LGX.067W		
18.	801-084C	SCR PH THD FMG #10X1/2 TP ZP		
19.	816-173C	RETAINER W/BONDED SEAL 4BLT		
20.	188-008V	BEARING 203 SEED-LOK WITH PIN		
21.	817-191C	5/8 X 6 SEED LOK WHEEL		

HD 00 Keeton Seed Firmer (890-810C)

(Applies to 3S-5000HD, 3S-5000HDF only)



34368

HD 00 Keeton Seed Firmer (890-810C)

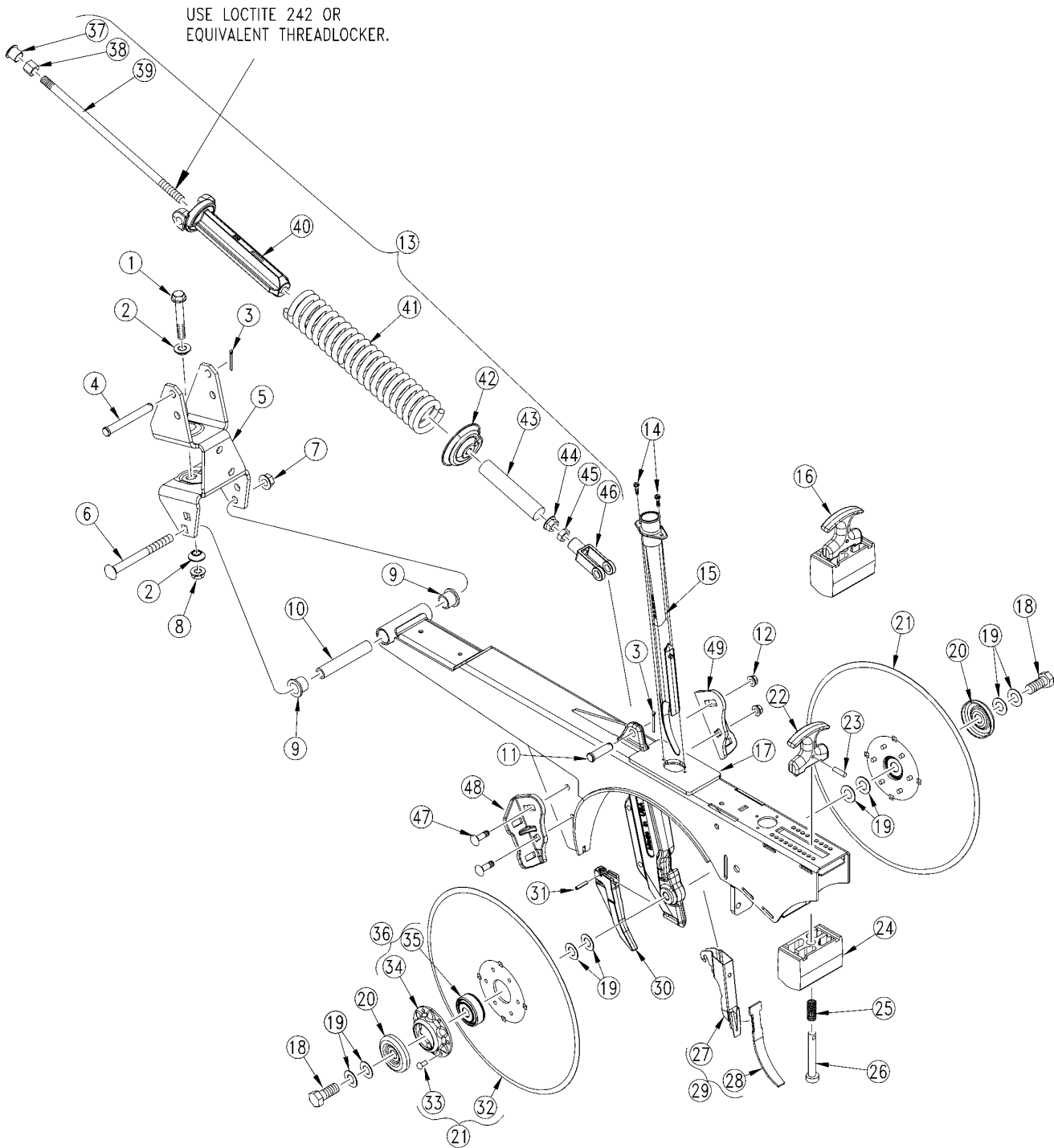
(Applies to 3S-5000HD, 3S-5000HDF only)

Ref	Part No.	Part Description	Comments	Revision
	dwg34368	Image No.		
1.	120825	NARROW TAIL FIRMER ASY		
2.	129BXT821	KEETON MOUNT BAR		
3.	129BXT827	GUARD GP TUBING		
4.	802-411C	RHSNB 3/8-16X2 GR5		
5.	803-014C	NUT HEX 3/8-16 PLT		
6.	804-013C	WASHER LOCK SPRING 3/8 PLT		
7.	900TUBESP	KEETON ADAPTOR TUBE		

Table of Contents Part Number Index

HD 00 Series Long Arm Opener

(Applies to 3S-5000HD, 3S-5000HDF only)



34365

HD 00 Series Long Arm Opener

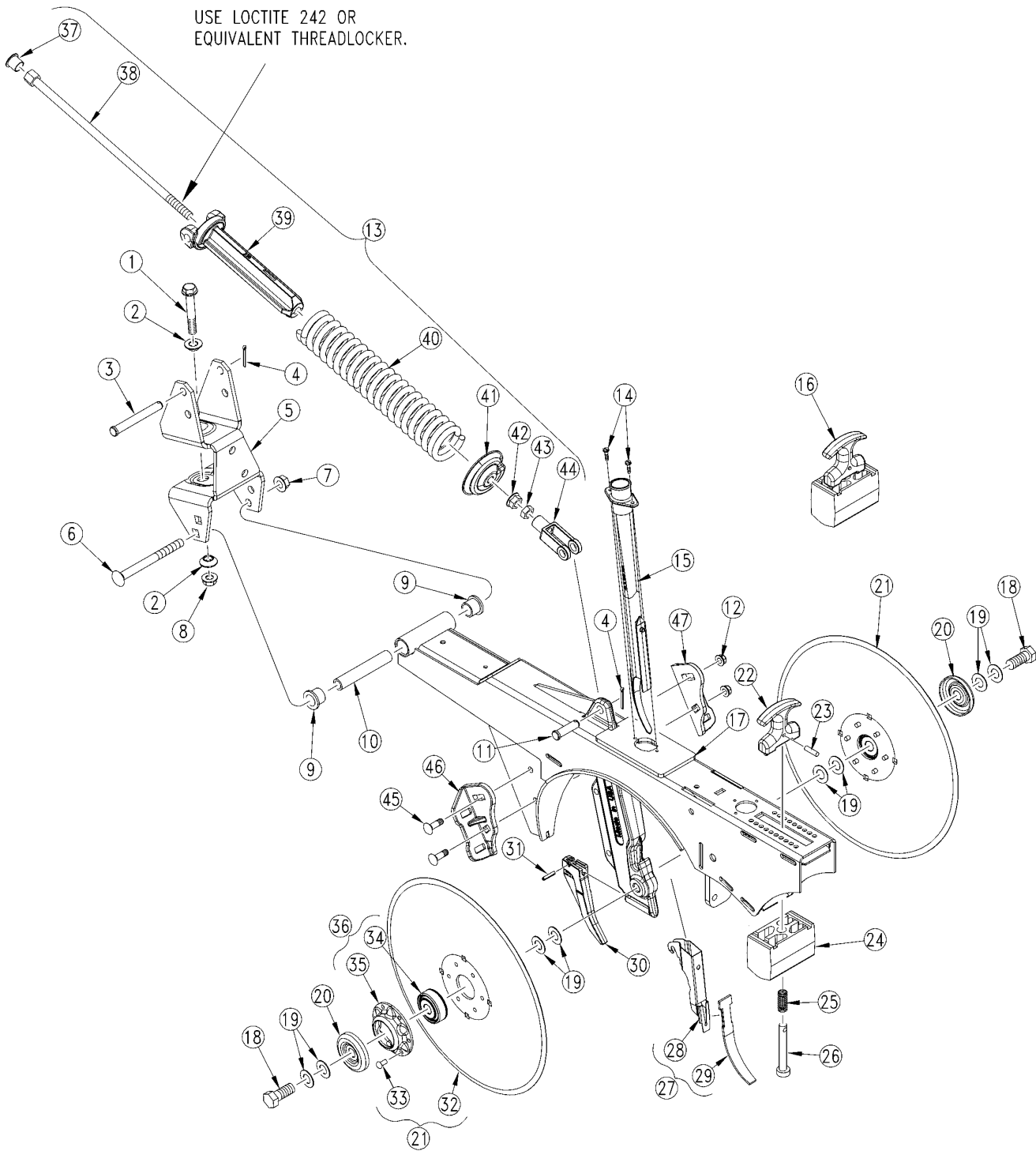
(Applies to 3S-5000HD, 3S-5000HDF only)

Ref	Part No.	Part Description	Comments	Revision
	dwg34365	Image No.		
1.	802-045C	HHCS 1/2-13X5 GR5		
2.	804-154C	WASHER POWDER METAL CONE 1/2		
3.	805-109C	PIN COTTER 1/8 X 1 1/4 PLT		
4.	805-234C	PIN CLEVIS 1/2 X 4 PLATED		
5.	121-151D	OPENER MOUNTING BRACKET		
6.	802-121C	RHSNB 1/2-13X5 1/2 GR5		
7.	803-169C	NUT HEX FLG LOCK 1/2-13 PLT		
8.	803-037C	NUT HEX WHIZ 1/2-13 PLT		
9.	817-084C	PARALLEL ARM PIVOT BUSHING		
10.	142-198D	STRAIGHT ARM OPENER PIVOT PIPE		
11.	805-127C	PIN CLEVIS 1/2 X 1 3/4		
12.	803-209C	NUT FLANGE LOCK 3/8-16 PLT		
13.	121-005S	HD OPENER SPRING ROD ASY LONG	Includes items 37-46	
14.	801-172C	SCREW HEX SLT 10-16X3/4PTHD CT		
15.	817-897C	00HD OPENER SEED TUBE		
16.	122-001S	HD PW ADJUST TRUNION ASY		
17.	221-695H	OPENER 00HD LONG NARROW BA		
18.	802-228C	HHCS 5/8-11X1 1/2 GR5 NYL		
19.	804-040C	WASHER MACH 1.19 X .63 X 18GA		
20.	107-111D	DD BRG FLANGE DUST COVER		
21.	404-121S	4.0 MM 15 DISC W/ 5/8 ASSY	Includes items 32 & 33	
22.	817-328C	T-HANDLE ASSEMBLY		
23.	805-168C	PIN HITCH 1 7/16 X 8 3/8 PLT		
24.	817-347C	OPENER TRUNION		
25.	807-106C	SPRING .540 O.D.X 1 1/4 X.054W		
26.	805-385C	PIN CLEVIS 3/8 X 3 PLT		
27.	121-176D	00HD SEED TUBE CLIP		
28.	816-302C	SEED FLAP, RUBBER, SEED-LOK		
29.	221-730S	00HD NARROW SEED TB CLIP/FLAP	Includes items 27 & 28	
30.	812-394C	NARROW HD OPENER LOWER SCRAPER		
31.	805-439C	PIN ROLL 1/4 X 5/8 PLT		
32.	820-287C	4.0 MM 15 DISK (21 DEG BEVEL)		
33.	800-213C	RIVET,BUTTON HEAD 1/4 X 1/2		
34.	890-466C	HSG RIBB FLG 6BOLT PLT		
35.	188-001V	BRG AA205DD		
36.	107-137V	FLANGE AND BRG ASSY	Includes items 34 & 35	
37.	816-306C	PLUG, SPRING ROD CASTING		
38.	803-310C	NUT HEX 1/2-20 X 5/8 HIGH		
39.	800-322C	STUD 1/2-13X17.6 SPTHD DBBLEND		
40.	812-236C	OPNR SPRING RD TRUNION CASTING		
41.	807-262C	SPRING COMP 2.56ODX.393X12.875		
42.	121-154D	SPRING STOP STAMPING		
43.	121-169D	SPACER TB ALUM 1ODX 1/2 X 7.28		
44.	803-193C	NUT HEX FLANGE 1/2-13 GR G PLT		
45.	803-036C	NUT HEX JAM 1/2-13 PLT		
46.	121-166D	ADJ. YOKE END		
47.	802-155C	RHSNB 3/8-16X1 1/4 GR5		
48.	812-366C	LH KNOCK DOWN TINE BASE		
49.	812-367C	RH KNOCK DOWN TINE BASE		

[Table of Contents](#) [Part Number Index](#)

HD 00 Series Short Arm Opener

(Applies to 3S-5000HD, 3S-5000HDF only)



34366

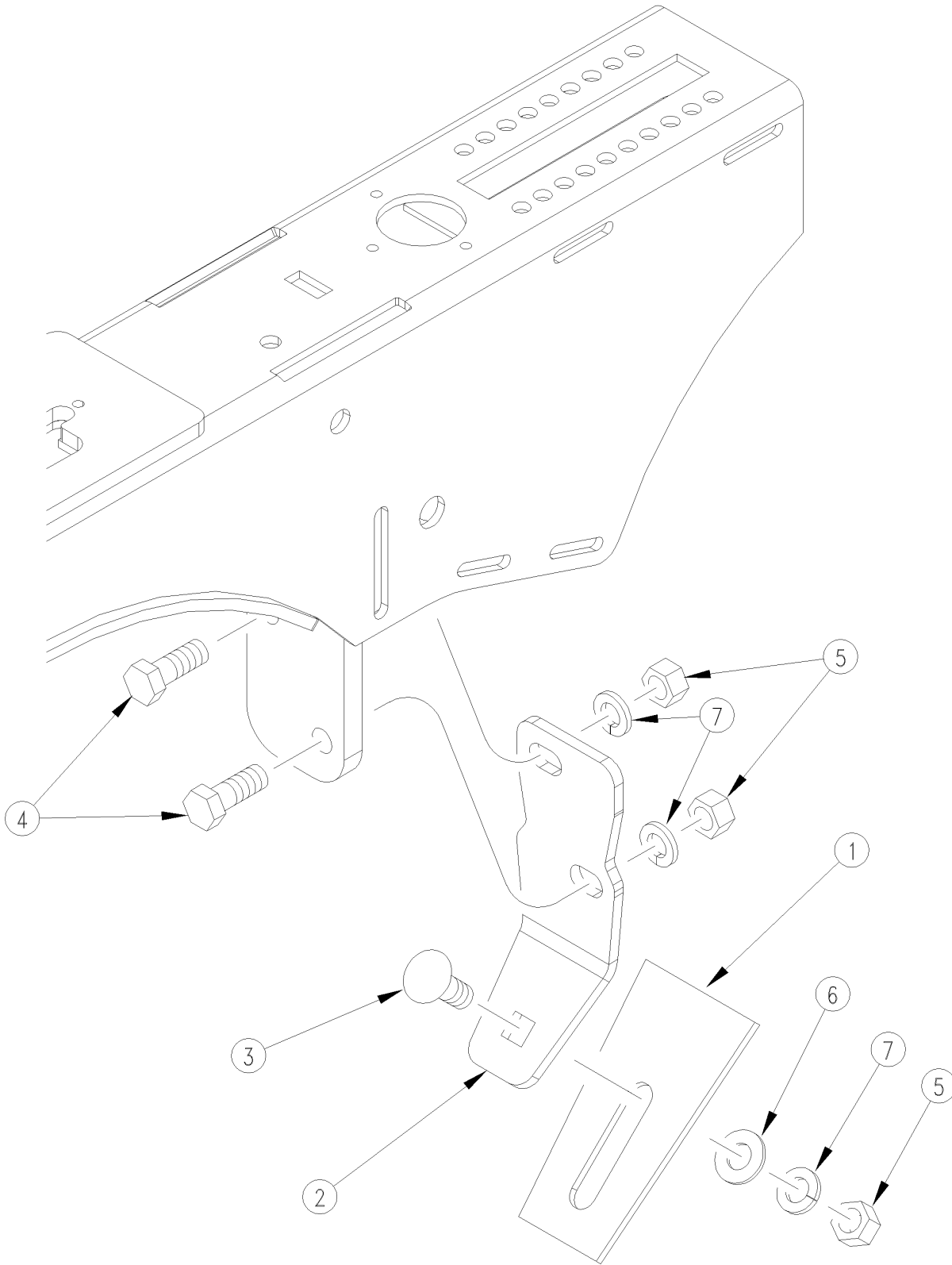
HD 00 Series Short Arm Opener

(Applies to 3S-5000HD, 3S-5000HDF only)

Ref	Part No.	Part Description	Comments	Revision
	dwg34366	Image No.		
1.	802-045C	HHCS 1/2-13X5 GR5		
2.	804-154C	WASHER POWDER METAL CONE 1/2		
3.	805-234C	PIN CLEVIS 1/2 X 4 PLATED		
4.	805-109C	PIN COTTER 1/8 X 1 1/4 PLT		
5.	121-151D	OPENER MOUNTING BRACKET		
6.	802-121C	RHSNB 1/2-13X5 1/2 GR5		
7.	803-169C	NUT HEX FLG LOCK 1/2-13 PLT		
8.	803-037C	NUT HEX WHIZ 1/2-13 PLT		
9.	817-084C	PARALLEL ARM PIVOT BUSHING		
10.	142-198D	STRAIGHT ARM OPENER PIVOT PIPE		
11.	805-127C	PIN CLEVIS 1/2 X 1 3/4		
12.	803-209C	NUT FLANGE LOCK 3/8-16 PLT		
13.	121-004S	HD OPENER SPRING ROD ASY SHORT	Includes items 37-44	
14.	801-172C	SCREW HEX SLT 10-16X3/4PTHD CT		
15.	817-897C	00HD OPENER SEED TUBE		
16.	122-001S	HD PW ADJUST TRUNION ASY		
17.	221-694H	OPENER 00HD SHORT NARROW BA		
18.	802-228C	HHCS 5/8-11X1 1/2 GR5 NYL		
19.	804-040C	WASHER MACH 1.19 X .63 X 18GA		
20.	107-111D	DD BRG FLANGE DUST COVER		
21.	404-121S	4.0 MM 15 DISC W/ 5/8 ASSY	Includes items 32 & 33	
22.	817-328C	T-HANDLE ASSEMBLY		
23.	805-186C	PIN ROLL 5/32 X 5/8 PLT		
24.	817-347C	OPENER TRUNION		
25.	807-106C	SPRING .540 O.D.X 1 1/4 X.054W		
26.	805-385C	PIN CLEVIS 3/8 X 3 PLT		
27.	221-730S	00HD NARROW SEED TB CLIP/FLAP	Includes items 28 & 29	
28.	121-176D	00HD SEED TUBE CLIP		
29.	816-302C	SEED FLAP, RUBBER, SEED-LOK		
30.	812-394C	NARROW HD OPENER LOWER SCRAPER		
31.	805-439C	PIN ROLL 1/4 X 5/8 PLT		
32.	820-287C	4.0 MM 15 DISK (21 DEG BEVEL)		
33.	800-213C	RIVET,BUTTON HEAD 1/4 X 1/2		
34.	188-001V	BRG AA205DD		
35.	890-466C	HSG RIBB FLG 6BOLT PLT		
36.	107-137V	FLANGE AND BRG ASSY	Includes items 34 & 35	
37.	816-306C	PLUG, SPRING ROD CASTING		
38.	802-550C	HHCS 1/2-13X10 SPTHD GR8		
39.	812-236C	OPNR SPRING RD TRUNION CASTING		
40.	807-262C	SPRING COMP 2.56ODX.393X12.875		
41.	121-154D	SPRING STOP STAMPING		
42.	803-193C	NUT HEX FLANGE 1/2-13 GR G PLT		
43.	803-036C	NUT HEX JAM 1/2-13 PLT		
44.	121-044D	ADJ. YOKE END, 11/16" OPENING		
45.	802-155C	RHSNB 3/8-16X1 1/4 GR5		
46.	812-366C	LH KNOCK DOWN TINE BASE		
47.	812-367C	RH KNOCK DOWN TINE BASE		

HD 00 Scraper

(Applies to 3S-5000HD, 3S-5000HDF only)



38943

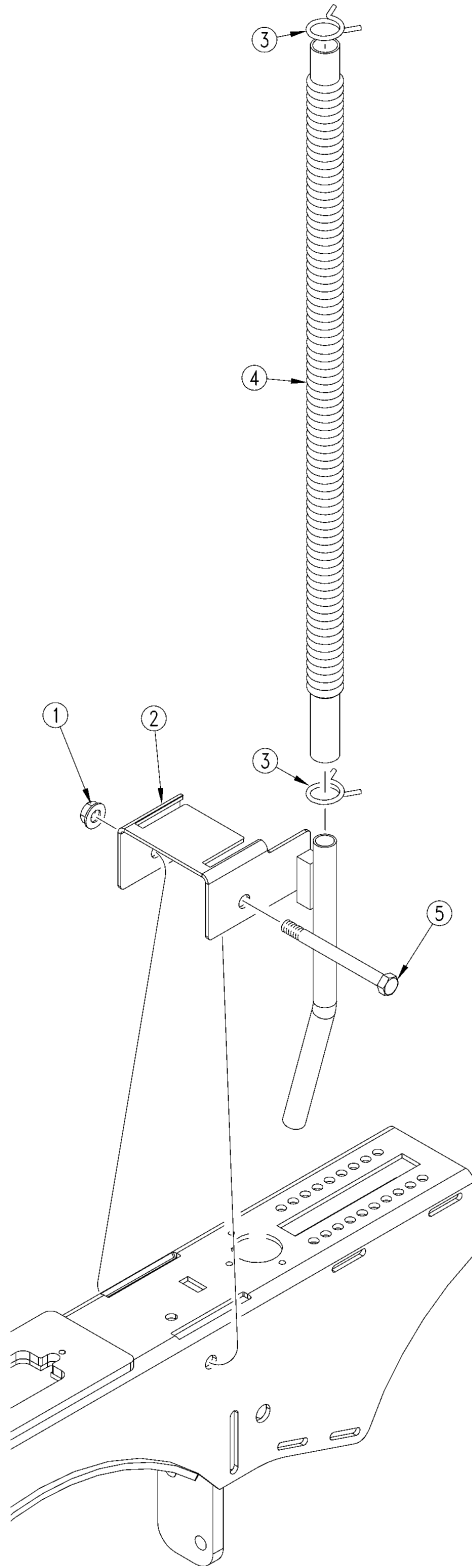
HD 00 Scraper

(Applies to 3S-5000HD, 3S-5000HDF only)

Ref	Part No.	Part Description	Comments	Revision
	dwg 38943	Image No.		
1.	122-179D	00HD NARROW INSIDE SCRAPER		
2.	122-006D	INSIDE SCRAPER MOUNT		
3.	802-015C	RHSNB 3/8-16X1 GR5		
4.	802-017C	HHCS 3/8-16X1 GR5		
5.	803-014C	NUT HEX 3/8-16 PLT		
6.	804-012C	WASHER FLAT 3/8 SAE PLT		
7.	804-013C	WASHER LOCK SPRING 3/8 PLT		

Small Seeds Hose

(Applies to 3S-5000, 3S-5000F, 3S-5000HD, 3S-5000HDF only)



27008

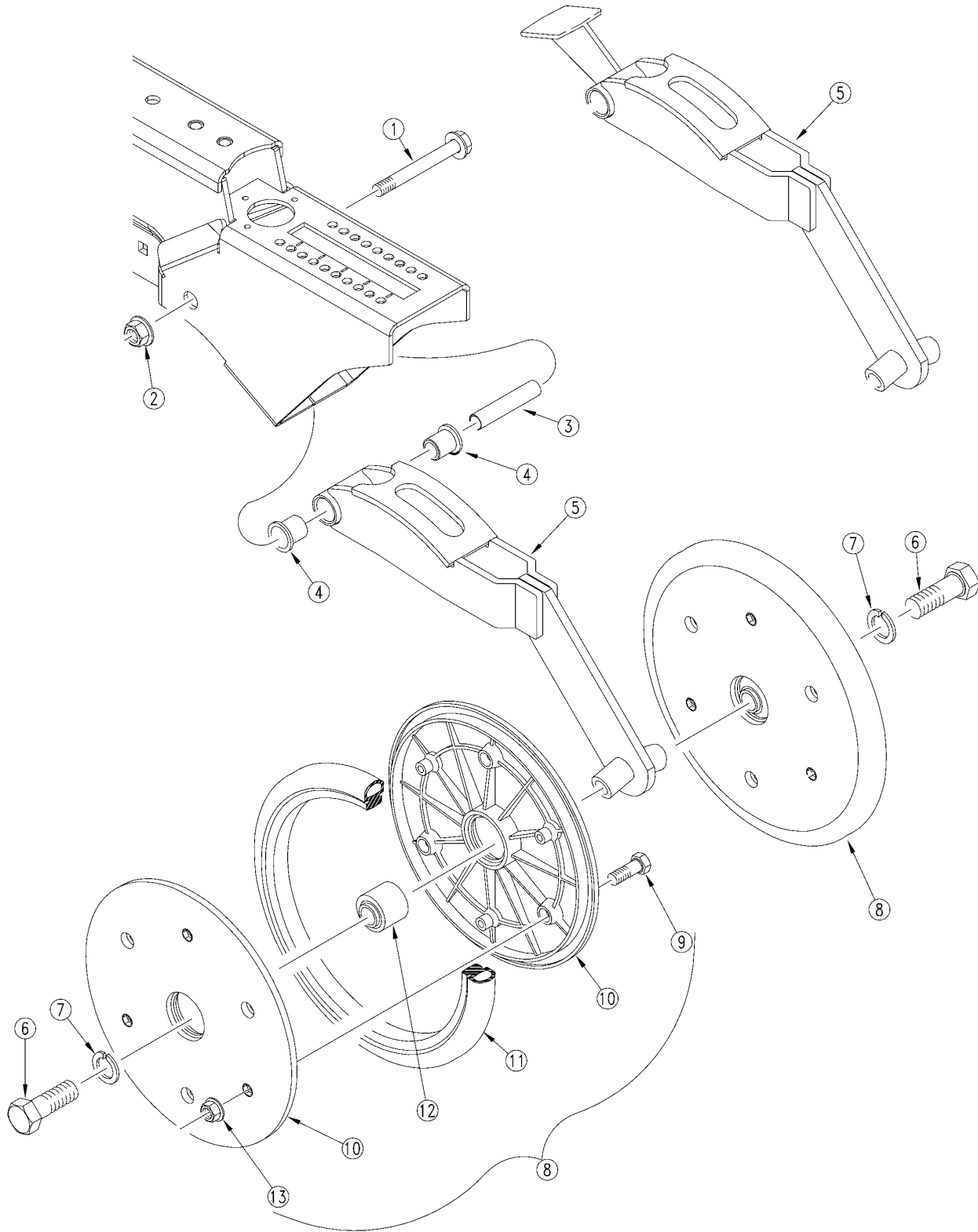
Small Seeds Hose

(Applies to 3S-5000, 3S-5000F, 3S-5000HD, 3S-5000HDF only)

Ref	Part No.	Part Description	Comments	Revision
	dwg-27008	Image No.		
1.	803-209C	NUT FLANGE LOCK 3/8-16 PLT		
2.	133-128H	SGS SIDE DELIVERY TUBE		
3.	800-321C	HOSE CLAMP NO.12 3/4 ID		
4.	816-358C	SGS HOSE 122 RIBS		
5.	802-427C	HFS 3/8-16X3 3/4 SPTH		

1"X12" Double "V" Press Wheel

(Applies to 3S-5000, 3S-5000F, 3S-5000HD, 3S-5000HDF only)



34375

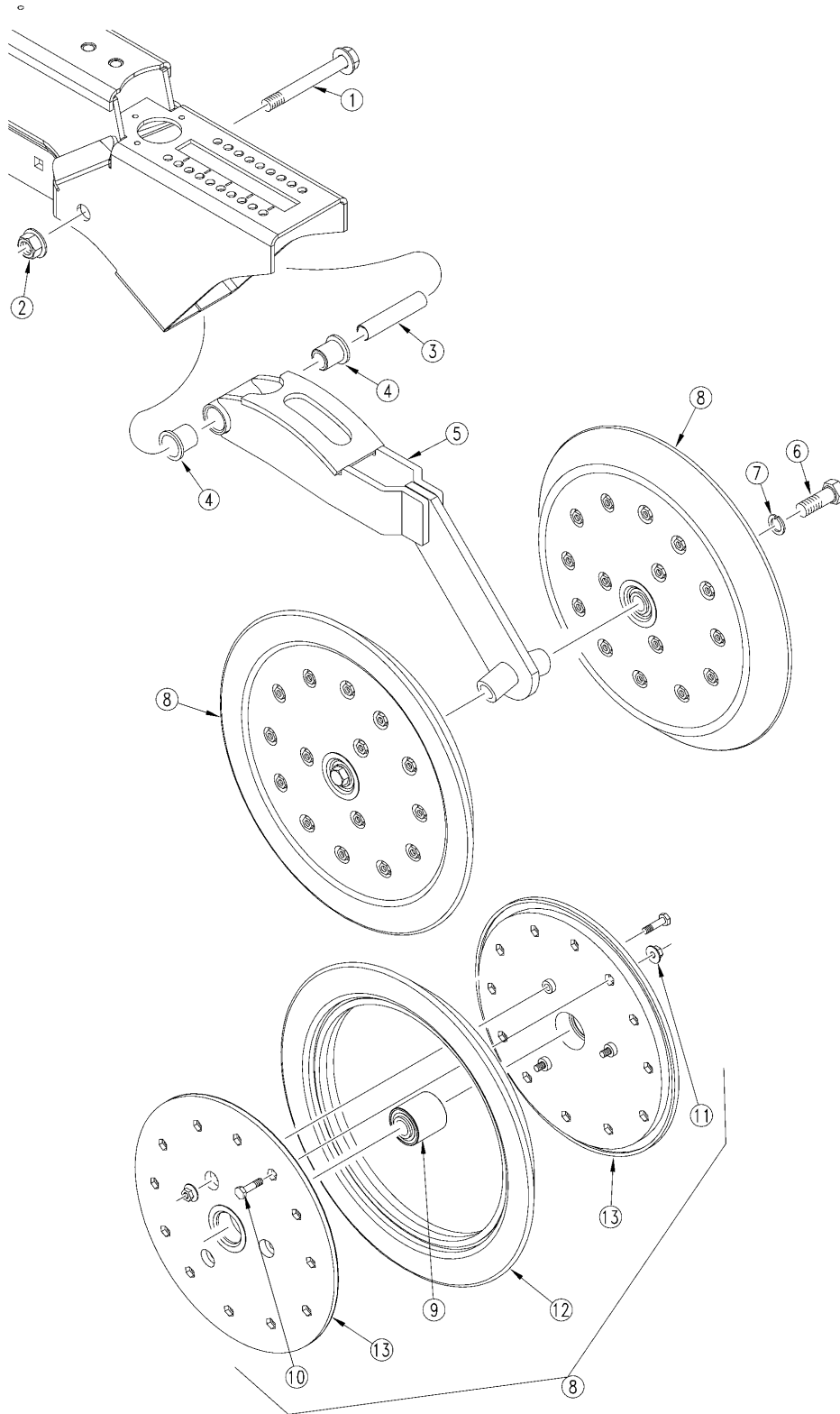
1"X12" Double "V" Press Wheel

(Applies to 3S-5000, 3S-5000F, 3S-5000HD, 3S-5000HDF only)

Ref	Part No.	Part Description	Comments	Revision
	dwg34375	Image No.		
1.	802-421C	HFS 1/2-13X3 3/4 GR5 SPTH		
2.	803-169C	NUT HEX FLG. LOCK 1/2-13 PLT.		
3.	198-137D	PRESS WHEEL PIVOT TUBE		
4.	817-084C	PARALLEL ARM PIVOT BUSHING		
5.	199-043H	NG 1X12 PRESS WHEEL ARM	Used on HD	
5.	199-022H	98 1X12 PRESS WHEEL WELDMENT	Used on non HD	
6.	802-058C	HHCS 5/8-11X2 1/2 GR5		
7.	804-022C	WASHER LOCK SPRING 5/8 PLT		
8.	814-174C	1 X 12 PRESS WHL ASSY-5203BRG	Includes items: 9-13	
9.	802-005C	HHCS 1/4-20X1 GR5		
10.	817-330C	1 X 12 PRESS WHEEL RIM HALF		
11.	814-034C	TIRE RUBBER 1 X 12		
12.	822-170C	BEARING PRESS WHEEL ASSEMBLY		
13.	803-088C	NUT HEX LOCK 1/4-20 FLG		

1.25"X13.5" Double Press Wheel

(Applies to 3S-5000, 3S-5000F, 3S-5000HD, 3S-5000HDF only)



34376

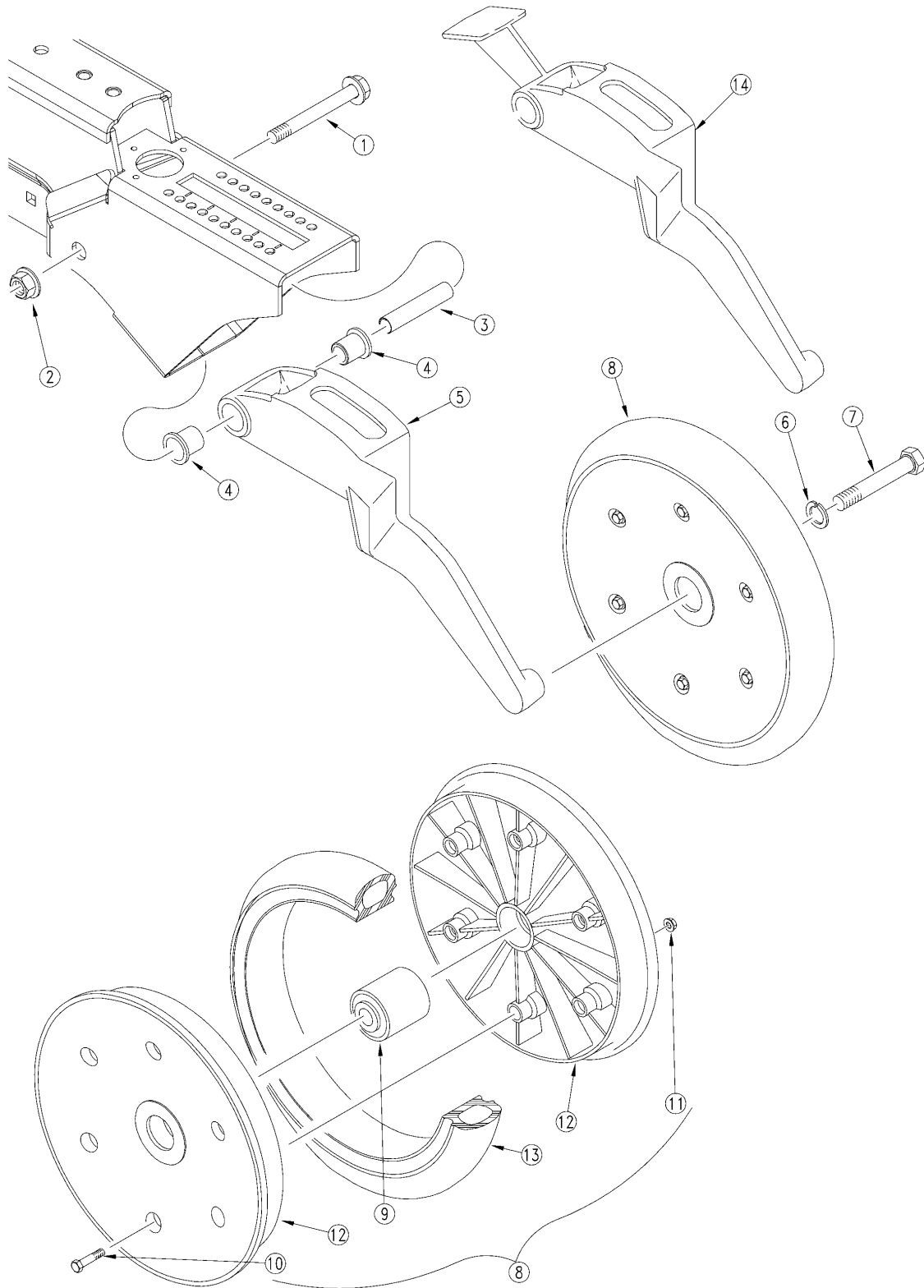
1.25"X13.5" Double Press Wheel

(Applies to 3S-5000, 3S-5000F, 3S-5000HD, 3S-5000HDF only)

Ref	Part No.	Part Description	Comments	Revision
	dwg34376	Image No.		
1.	802-421C	HFS 1/2-13X3 3/4 GR5 SPTH		
2.	803-169C	NUT HEX FLG. LOCK 1/2-13 PLT.		
3.	198-137D	PRESS WHEEL PIVOT TUBE		
4.	817-084C	PARALLEL ARM PIVOT BUSHING		
5.	199-088H	10HD DBL PW ARM WELDMENT RH		
5.	199-089H	10HD DBL PW ARM WELDMENT LH		
6.	802-058C	HHCS 5/8-11X2 1/2 GR5		
7.	804-022C	WASHER LOCK SPRING 5/8 PLT		
8.	814-400C	1.25 X 13.5 WEDGE HD PW ASSY		
9.	822-170C	BRG .63ID PRESS WHL ASY		
10.	802-005C	HHCS 1/4-20X1 GR5		
11.	803-088C	NUT HEX LOCK 1/4-20 FLG		
12.	814-244C	1.25 X 13.5 PRESS WHEEL TIRE		
13.	817-330C	1 X 12 PRESS WHEEL RIM HALF		

2"X13" Single Press Wheel

(Applies to 3S-5000, 3S-5000F, 3S-5000HD, 3S-5000HDF only)



34370

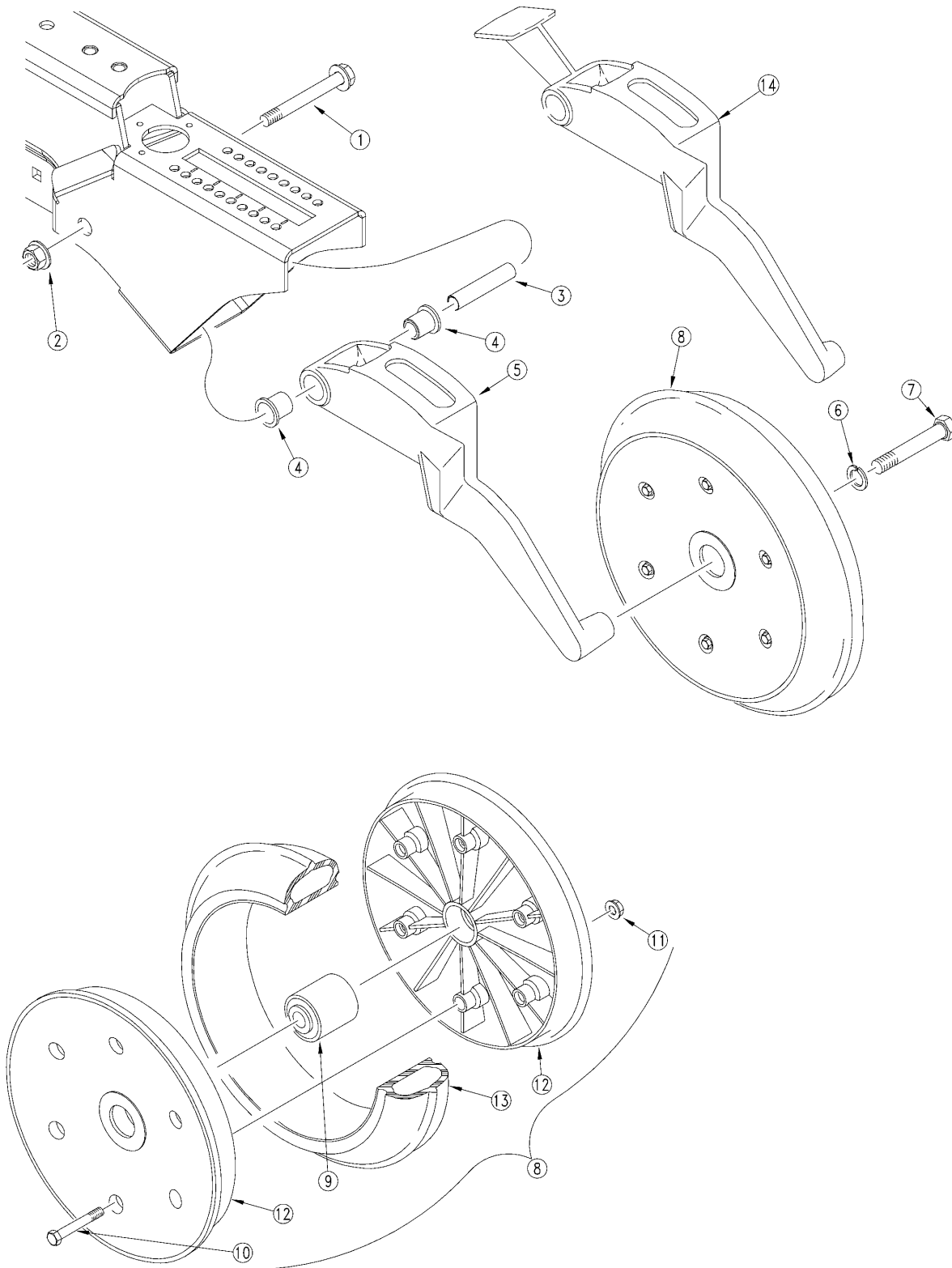
2"X13" Single Press Wheel

(Applies to 3S-5000, 3S-5000F, 3S-5000HD, 3S-5000HDF only)

Ref	Part No.	Part Description	Comments	Revision
	dwg34370	Image No.		
1.	802-421C	HFS 1/2-13X3 3/4 GR5 SPTH		
2.	803-169C	NUT HEX FLG. LOCK 1/2-13 PLT.		
3.	198-137D	PRESS WHEEL PIVOT TUBE		
4.	817-084C	PARALLEL ARM PIVOT BUSHING		
5.	202-189D	NG UNIVERSAL PRESS WHEEL ARM	Used with HD	
6.	804-022C	WASHER LOCK SPRING 5/8 PLT		
7.	802-058C	HHCS 5/8-11X2 1/2 GR5		
8.	814-157C	2 X 13 PRESS WHEEL ASSEMBLY		
9.	822-170C	BEARING PRESS WHEEL ASSEMBLY		
10.	802-617C	HHFS 1/4-20 X 1 1/2 GR 5		
11.	803-088C	NUT HEX LOCK 1/4-20 FLG		
12.	817-296C	2 X 13 PRESS WHEEL RIM HALF		
13.	814-159C	2 X 13 PRESS WHEEL TIRE		
14.	199-042D	UNIVERSAL PW ARM MACH 2&3X13	Used with non HD	

3"X13" Single Press Wheel

(Applies to 3S-5000, 3S-5000F, 3S-5000HD, 3S-5000HDF only)



34372

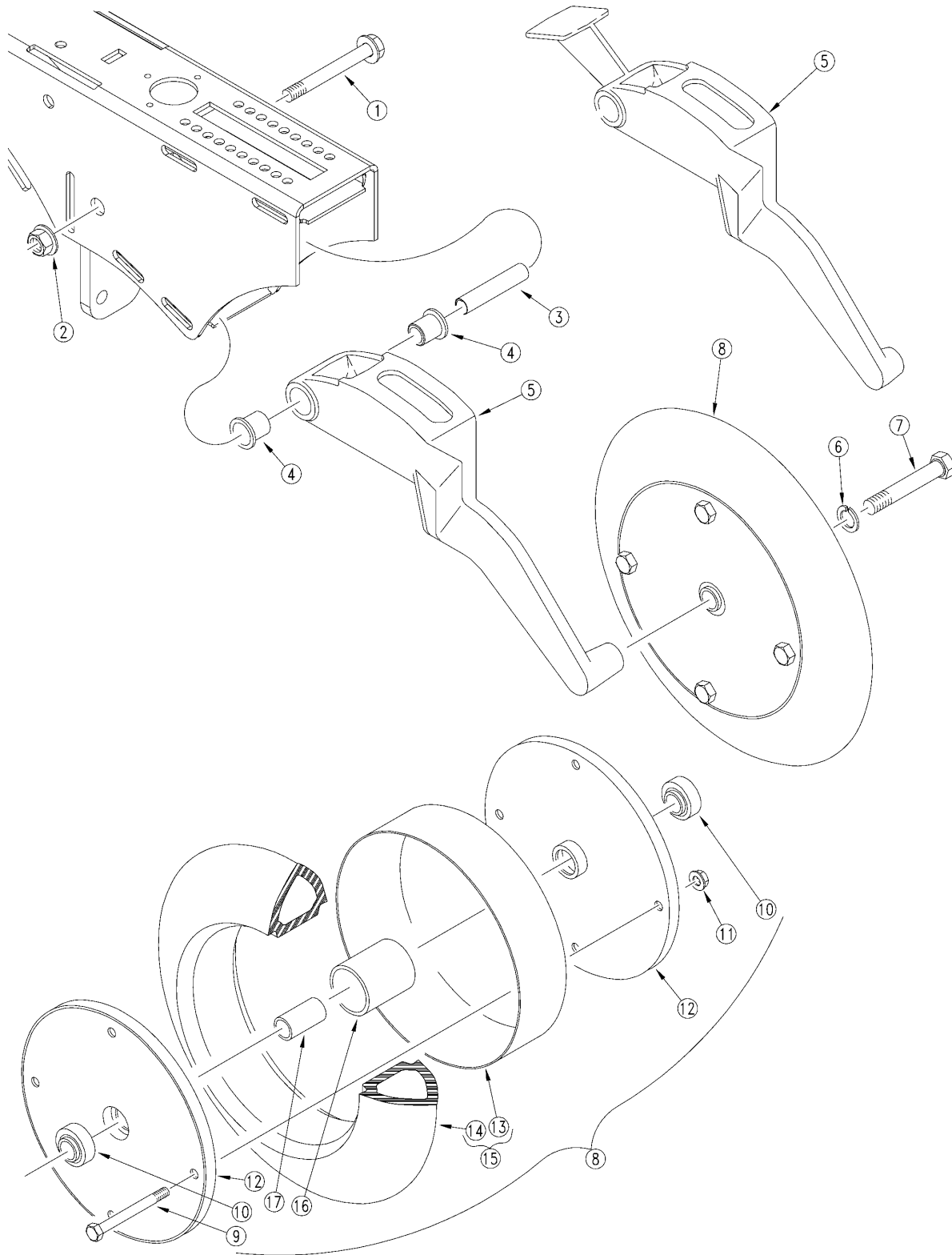
3"X13" Single Press Wheel

(Applies to 3S-5000, 3S-5000F, 3S-5000HD, 3S-5000HDF only)

Ref	Part No.	Part Description	Comments	Revision
	dwg34372	Image No.		
1.	802-421C	HFS 1/2-13X3 3/4 GR5 SPTH		
2.	803-169C	NUT HEX FLG. LOCK 1/2-13 PLT.		
3.	198-137D	PRESS WHEEL PIVOT TUBE		
4.	817-084C	PARALLEL ARM PIVOT BUSHING		
5.	202-189D	NG UNIVERSAL PRESS WHEEL ARM	Used with HD	
6.	804-022C	WASHER LOCK SPRING 5/8 PLT		
7.	802-058C	HHCS 5/8-11X2 1/2 GR5		
8.	814-158C	3 X 13 PRESS WHEEL ASSEMBLY		
9.	822-170C	BEARING PRESS WHEEL ASSEMBLY		
10.	802-618C	HHFS 1/4-20 X 2 GR 5		
11.	803-088C	NUT HEX LOCK 1/4-20 FLG		
12.	817-297C	3 X 13 PRESS WHEEL RIM HALF		
13.	814-160C	3 X 13 PRESS WHEEL TIRE		
14.	199-042D	UNIVERSAL PW ARM MACH 2&3X13	Used with non HD	

3"X14" Peaked Single Press Wheel

(Applies to 3S-5000, 3S-5000F, 3S-5000HD, 3S-5000HDF only)



34374

3"X14" Peaked Single Press Wheel

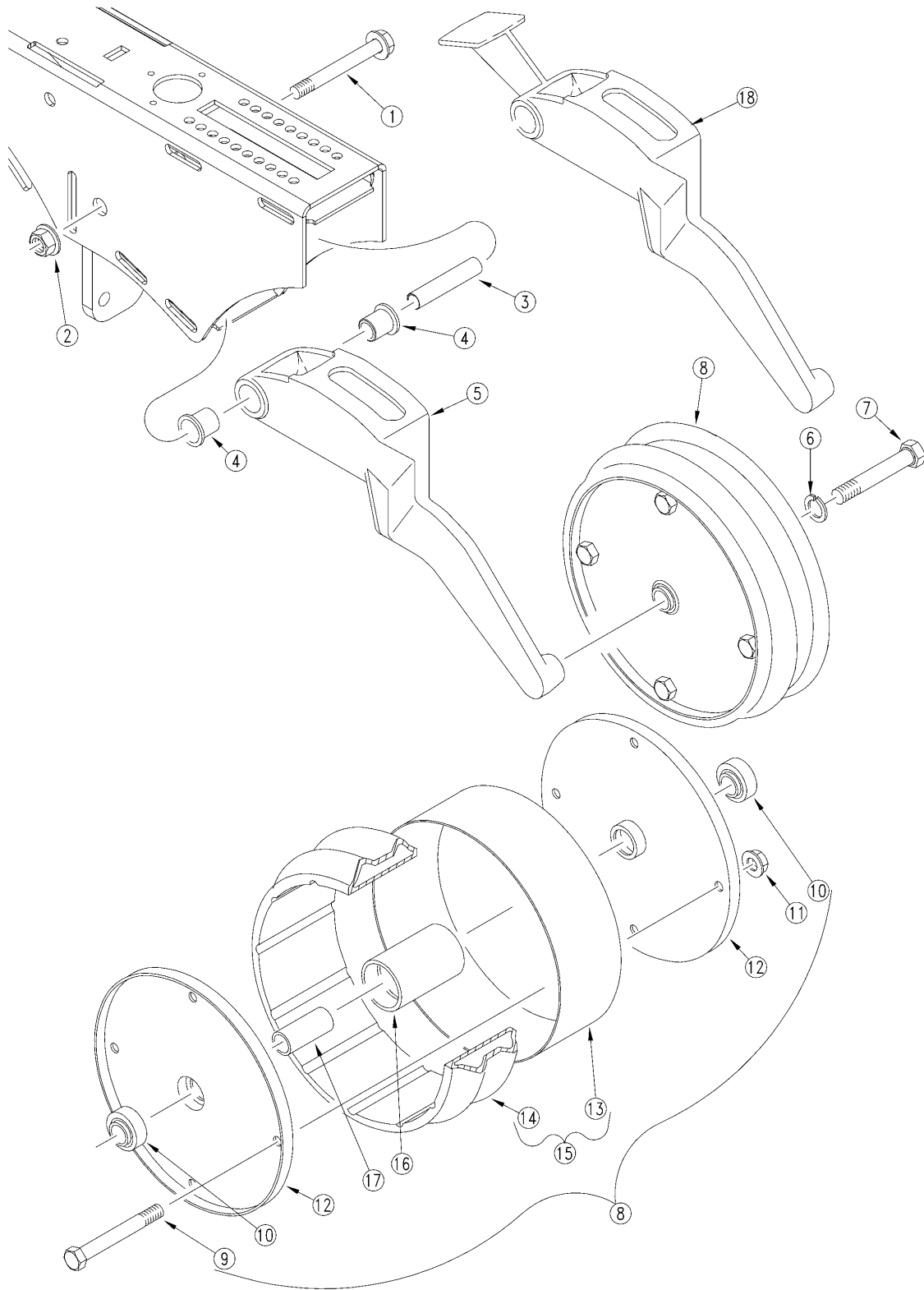
(Applies to 3S-5000, 3S-5000F, 3S-5000HD, 3S-5000HDF only)

Ref	Part No.	Part Description	Comments	Revision
	dwg34374	Image No.		
1.	802-421C	HFS 1/2-13X3 3/4 GR5 SPTH		
2.	803-169C	NUT HEX FLG. LOCK 1/2-13 PLT.		
3.	198-137D	PRESS WHEEL PIVOT TUBE		
4.	817-084C	PARALLEL ARM PIVOT BUSHING		
5.	202-190D	NG 3X14 PRESS WHEEL ARM	Used on HD	
5.	199-030D	3 X 14 PRESS WHEEL ARM	Used on non HD	
6.	804-022C	WASHER LOCK SPRING 5/8 PLT		
7.	802-160C	HHCS 5/8-11X3 1/4 GR5		
8.	122-117S	3 X 14 PEAKED P.W. ASSEMBLY		
9.	802-197C	HHCS 5/16-18X2 3/4 GR5		
10.	822-095C	BEARING DBL LIP 203 X 5/8 BORE		
11.	803-177C	NUT HEX FLG TOP LK 5/16-18 YLW		
12.	122-041D	4X12 PW RIM HALF		
13.	817-063C	3 X 14 RIM SPACER RING		
14.	814-067C	TIRE 3 X 14 PW PEAKED		
15.	122-198V	3 X 14 TIRE & RING ASSEMBLY		
16.	817-062C	LARGE SPACER TUBE		
17.	122-110D	SMALL SPACER TUBE		

[Table of Contents](#) [Part Number Index](#)

4"X14" Double Ribbed Single Press Wheel

(Applies to 3S-5000, 3S-5000F, 3S-5000HD, 3S-5000HDF only)



34373

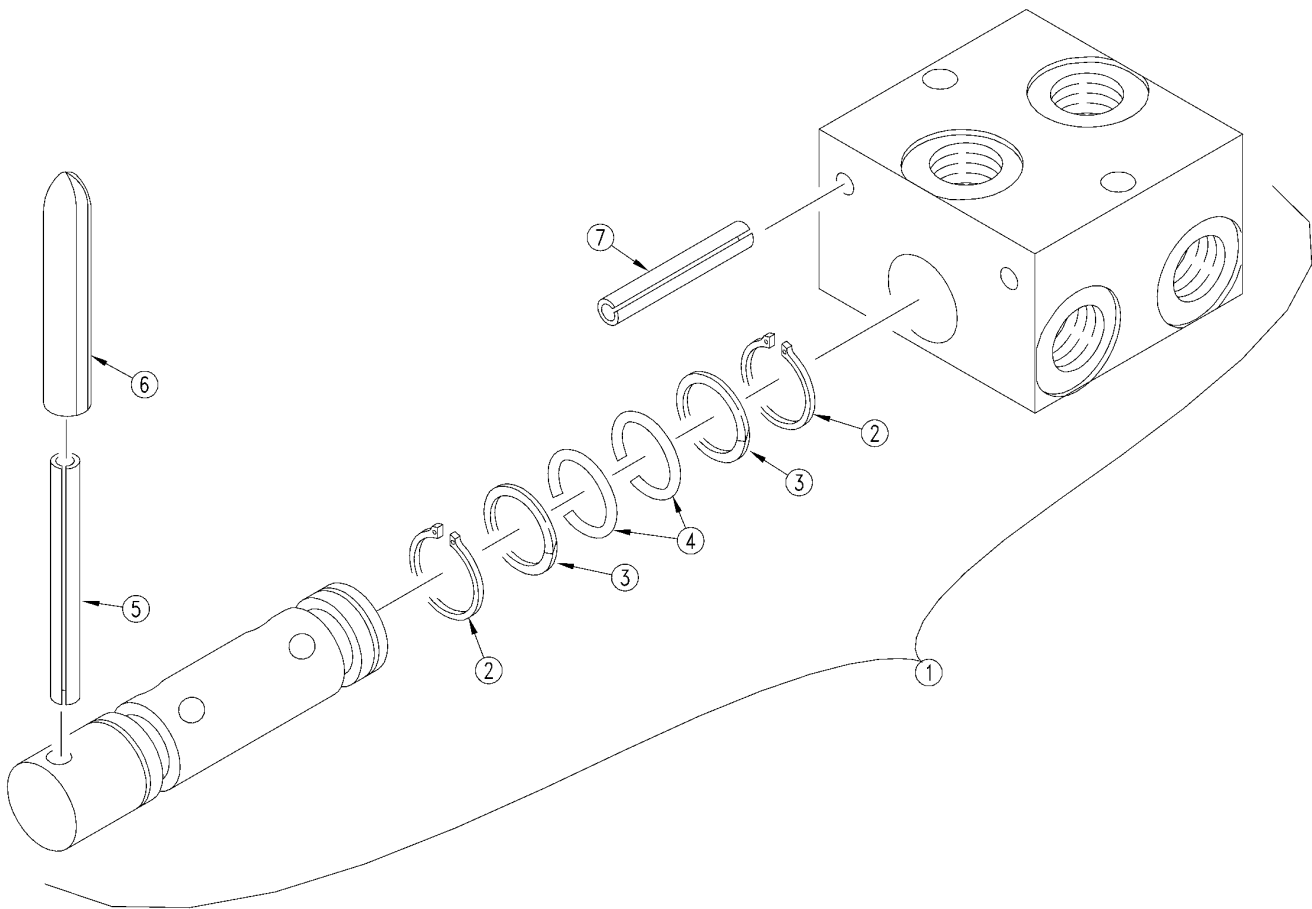
4"X14" Double Ribbed Single Press Wheel

(Applies to 3S-5000, 3S-5000F, 3S-5000HD, 3S-5000HDF only)

Ref	Part No.	Part Description	Comments	Revision
	dwg34373	Image No.		
1.	802-421C	HFS 1/2-13X3 3/4 GR5 SPTH		
2.	803-169C	NUT HEX FLG. LOCK 1/2-13 PLT.		
3.	198-137D	PRESS WHEEL PIVOT TUBE		
4.	817-084C	PARALLEL ARM PIVOT BUSHING		
5.	202-274D	NG 4X12 PRESS WHEEL ARM	Used with HD	
6.	804-022C	WASHER LOCK SPRING 5/8 PLT		
7.	802-100C	HHCS 5/8-11X4 1/2 GR5		
8.	122-103S	4X12 V-GROOVE PRESS WHL ASSY		
9.	802-119C	HHCS 5/16-18X3 3/4 GR5		
10.	822-095C	BEARING DBL LIP 203 X 5/8 BORE		
11.	803-177C	NUT HEX FLG TOP LK 5/16-18 YLW		
12.	122-041D	4X12 PW RIM HALF		
13.	817-023C	4 X 12 RIM SPACER RING		
14.	814-010C	TIRE PW 4 X 12		
15.	122-197V	4X12 V-GROOVE TIRE & RING ASSY		
16.	817-022C	4 X 12 LARGE SPREADER TUBE		
17.	122-094D	4X12 SMALL SPREADER TUBE-SHORT		
18.	199-031D	4 X 12 PRESS WHEEL ARM	Used with non HD	

Double Selector Valve (810-274C)

(Applies to 3S-5000, 3S-5000F, 3S-5000HD, 3S-5000HDF only)



14927

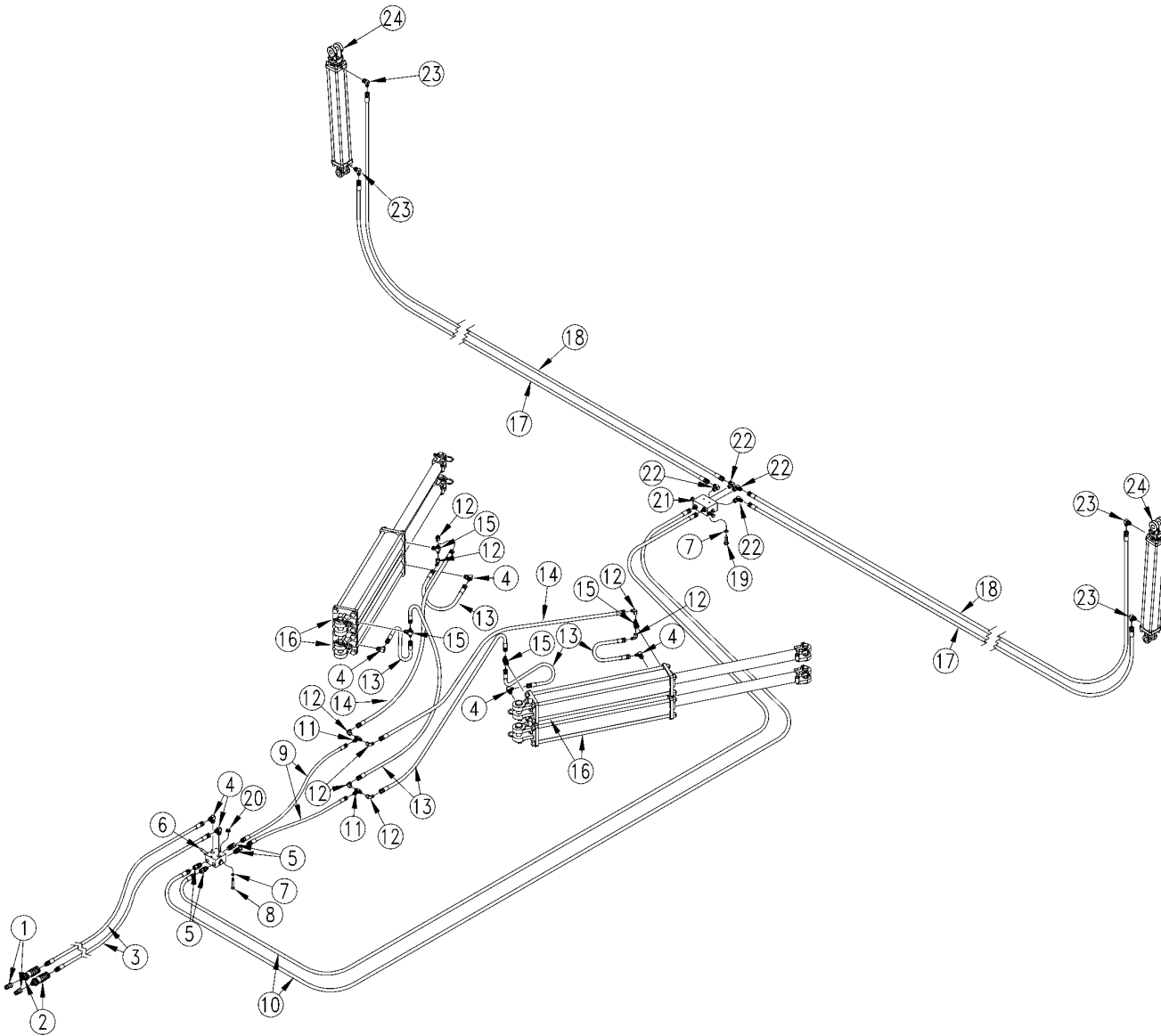
Double Selector Valve (810-274C)

(Applies to 3S-5000, 3S-5000F, 3S-5000HD, 3S-5000HDF only)

Ref	Part No.	Part Description	Comments	Revision
	dwg14927	Image No.		
1.	810-274C	DOUBLE SELECTOR VALVE 3/4FORB		
2.	1079	RPBY SEAL KIT		
3.	1089-210	RPBY SEAL KIT 810-458C		
4.	1088-210	SHOEMAKER O-RING BUNA N 70DURO		
5.	1285	SH GROOVE PIN		
6.	817-255C	BLACK VINYL GRIP		
7.	1084	SH PIN, SPRING 0.25 DIAMETER		

Dual Marker Hydraulics

(Applies to 3S-5000, 3S-5000F, 3S-5000HD, 3S-5000HDF only)



34704

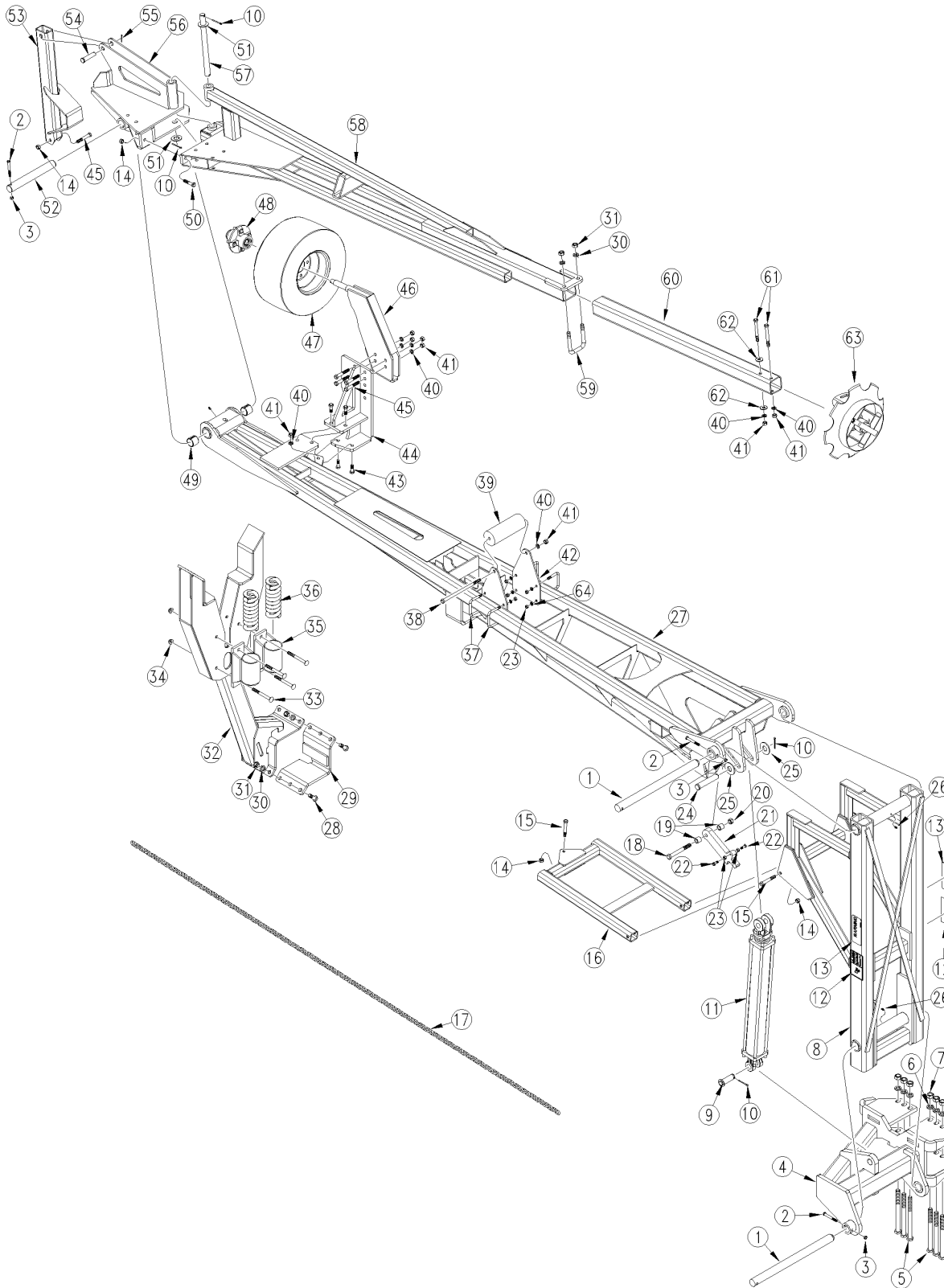
Dual Marker Hydraulics

(Applies to 3S-5000, 3S-5000F, 3S-5000HD, 3S-5000HDF only)

Ref	Part No.	Part Description	Comments	Revision
	dwg34704	Image No.		
1.	811-394C	CP 3/4FORB MALE QD POPPET TYPE		
2.	548-005S	HG PAIR - GRAY MORB-FORB		
3.	811-579C	HH3/8R1 096 1/2MNPT 9/16FJIC		
4.	811-171C	EL 3/4MORB 9/16MJIC		
5.	811-021C	AD 1/2FNPTS 3/4MORB		
6.	810-274C	DOUBLE SELECTOR VALVE 3/4FORB	Refer to Double Selector Valve (810-274C) for breakdown	
7.	804-013C	WASHER LOCK SPRING 3/8 PLT		
8.	802-168C	HHCS 3/8-16X3 1/4 GR5		
9.	841-778C	HH1/2R2 480 3/4MORB X 9/16FJIC		
10.	841-953C	HH3/8R1 468 3/4MORB 9/16FJIC		
11.	811-356C	TE 9/16MJIC BH 9/16MJIC 9/16MJ		
12.	811-169C	EL 9/16MJIC 9/16FJIC		
13.	841-687C	HH3/8R2 013 9/16FJIC		
14.	841-779C	HH3/8R2 046 9/16FJIC		
15.	811-470C	TE 9/16MJIC 3/4MORB 9/16MJIC		
16.	810-805C	CYL 5X30X2.5 CYL ROD (TIE ROD)	Refer to Hydraulic Cylinder (810-805C) for breakdown	
17.	841-954C	HH3/8R1 330 9/16FJIC		
18.	841-955C	HH3/8R1 350 9/16FJIC		
19.	802-014C	HHCS 3/8-16X3/4 GR5		
20.	803-014C	NUT HEX 3/8-16 PLT		
21.	810-422C	VALVE,SEQ SHOEMAKER HI FLO	Refer to Sequence Valve (810-422C) for breakdoen	
22.	811-169C	EL 9/16MJIC 9/16FJIC		
23.	811-065C	EL 9/16MJIC 9/16MORB		
24.	810-423C	CYL 3X24X1.50 ROD (TIE ROD)	Refer to Hydraulic Cylinder (810-423C) for breakdown	

Marker Assembly

(Applies to 3S-5000, 3S-5000F, 3S-5000HD, 3S-5000HDF only)



34692

Marker Assembly

(Applies to 3S-5000, 3S-5000F, 3S-5000HD, 3S-5000HDF only)

Ref	Part No.	Part Description	Comments	Revision
	dwg34692	Image No.		
1.	411-267D	PIN 1.50 X 21.5		
2.	802-849C	HHCS 3/8-16X3 1/4 GR8		
3.	803-013C	NUT LOCK 3/8-16 PLT		
4.	113-878H	3S-5000 MARKER MOUNT WLDMT LH		
5.	802-072C	HHCS 3/4-10X9 1/2 GR5		
6.	804-023C	WASHER LOCK SPRING 3/4 PLT		
7.	803-027C	NUT HEX 3/4-10 PLT		
8.	113-879H	MARKER 1ST SECTION 3S-5000		
9.	805-004C	PIN CLVS 1.0X2.75 USBL		
10.	805-058C	PIN COTTER 3/16 X 2		
11.	810-423C	CYL 3X24X1.50 ROD (TIE ROD)	Refer to Hydraulic Cylinder (810-423C) for breakdown	
12.	838-599C	DECAL DANGER ELECTROCUTION HA		
13.	818-580C	DECAL WARNING OVERHEAD MKR HAZ		
14.	803-019C	NUT LOCK 1/2-13 PLT		
15.	802-041C	HHCS 1/2-13X3 1/2 GR5		
16.	401-452H	LOWER MARKER LIFT ARM WLDMNT		
17.	113-898D	CHAIN 1/4 COIL HI TEST 115 IN		
18.	802-254C	HHCS 5/8-11X5 1/2 GR5		
19.	113-683D	3S-4000 MARKER CYL PIN SPACER		
20.	803-024C	NUT LOCK 5/8-11 PLT		
21.	113-682D	3S-4000 MARKER CYL PIN LOCK		
22.	802-017C	HHCS 3/8-16X1 GR5		
23.	803-014C	NUT HEX 3/8-16 PLT		
24.	805-131C	PIN CLVS 1.0X4.69 USBL		
25.	804-028C	WASHER FLAT 1 USS PLT		
26.	800-001C	GREASE ZERK STRAIGHT 1/4-28		
27.	113-881H	MARKER 2ND SECTION 3S-5000 LH	Shown	
27.	113-887H	MARKER 2ND SECTION 3S-5000 RH		
28.	802-055C	HHCS 5/8-11X2 GR5		
29.	113-892H	MARKER MOUNT CLAMP LH 3S-5000		
29.	113-893H	MARKER MOUNT CLAMP RH 3S-5000		
30.	804-022C	WASHER LOCK SPRING 5/8 PLT		
31.	803-021C	NUT HEX 5/8-11 PLT		
32.	113-891H	3S-5000 MARKER REST WELDMENT		
33.	802-463C	RHSNB 1/2-13X5 GR5		
34.	803-169C	NUT HEX FLG LOCK 1/2-13 PLT		
35.	401-494H	SUPPORT REST WELDMENT		
36.	807-276C	SPRING COMP 2.94OD.687W8.00L		
37.	806-132C	U-BOLT 3/8-16 X 3 1/32 X 2 3/4		
38.	802-416C	HHCS 1/2-13X10 GR5		
39.	113-899D	TRANSPORT BUMPER		
40.	804-015C	WASHER LOCK SPRING 1/2 PLT		
41.	803-020C	NUT HEX 1/2-13 PLT		
42.	411-264D	PLATE, GAGE WHEEL MTG		
43.	802-036C	HHCS 1/2-20X1 1/2 GR5		
44.	113-884H	MARKER WHEEL SUPPORT WELD LH	Shown	
44.	113-889H	MARKER WHEEL SUPPORT WELD RH		
45.	802-099C	HHCS 1/2-13X3 1/4 GR5		
46.	113-885H	MARKER SUPPORT SPINDLE WELD		
47.	814-354C	TIRE & WHL ASY 18X9.50-8 4PLY		
48.	815-001C	TINE GW HUB		
49.	890-264C	BUSHING 1 3/4 X 1 1/2 X 1 1/2		
50.	802-130C	HHCS 1/2-13X2 1/2 GR5		
51.	804-029C	WASHER FLAT 1 SAE		
52.	113-797D	MARKER PIVOT PIN		
53.	113-883H	MARKER TRIP LEVEL WLDMT 3S5000		

Marker Assembly (continued)

(Applies to 3S-5000, 3S-5000F, 3S-5000HD, 3S-5000HDF only)

Ref	Part No.	Part Description	Comments	Revision
54.	805-318C	PIN CLVS .75X2.77 USBL		
55.	805-109C	PIN COTTER 1/8 X 1 1/4 PLT		
56.	113-882H	3S-5000 MARKER LH SHEAR HINGE	Shown LH	
56.	113-888H	3S-5000 MARKER RH SHEAR HINGE	RH	
57.	113-798D	MARKER SHEAR PIVOT PIN		
58.	113-886H	3S5000 MARKER THIRD SECTION LH	Shown	
58.	113-897H	3S5000 MARKER THIRD SECTION RH		
59.	806-110C	U-BOLT 5/8-11 X 3 1/32 X 4 1/2		
60.	113-794D	MARKER EXTENSION TUBE		
61.	802-413C	HHCS 1/2-13X4 1/2 GR5		
62.	804-017C	WASHER FLAT 1/2 USS PLT		
63.	113-025S	MARKER DISC ASSEMBLY	Refer to "Marker Disc Assembly (113-025S)" for breakdown.	
64.	804-013C	WASHER LOCK SPRING 3/8 PLT		

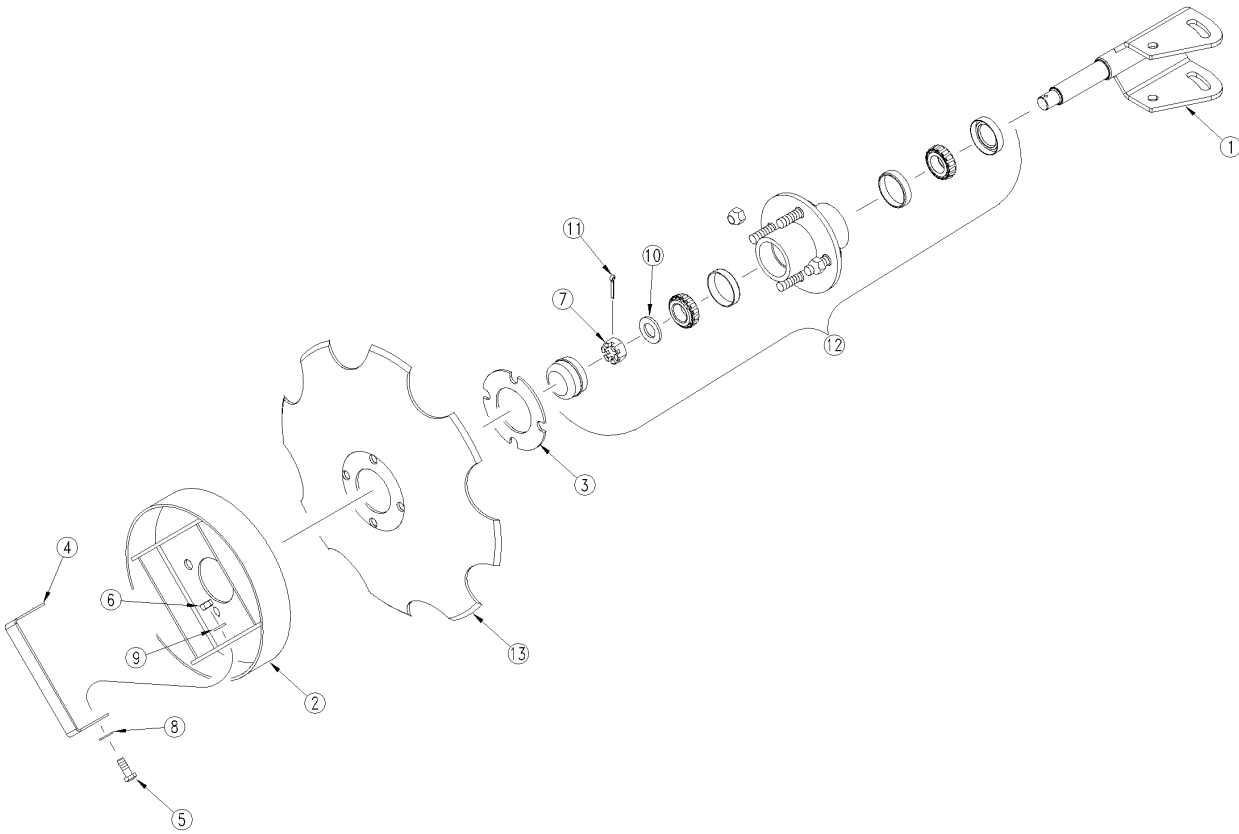
Marker Assembly (continued)

(Applies to 3S-5000, 3S-5000F, 3S-5000HD, 3S-5000HDF only)

This Page Intentionally Left Blank

Marker Disc Assembly (113-025S)

(Applies to 3S-5000, 3S-5000F, 3S-5000HD, 3S-5000HDF only)



25018

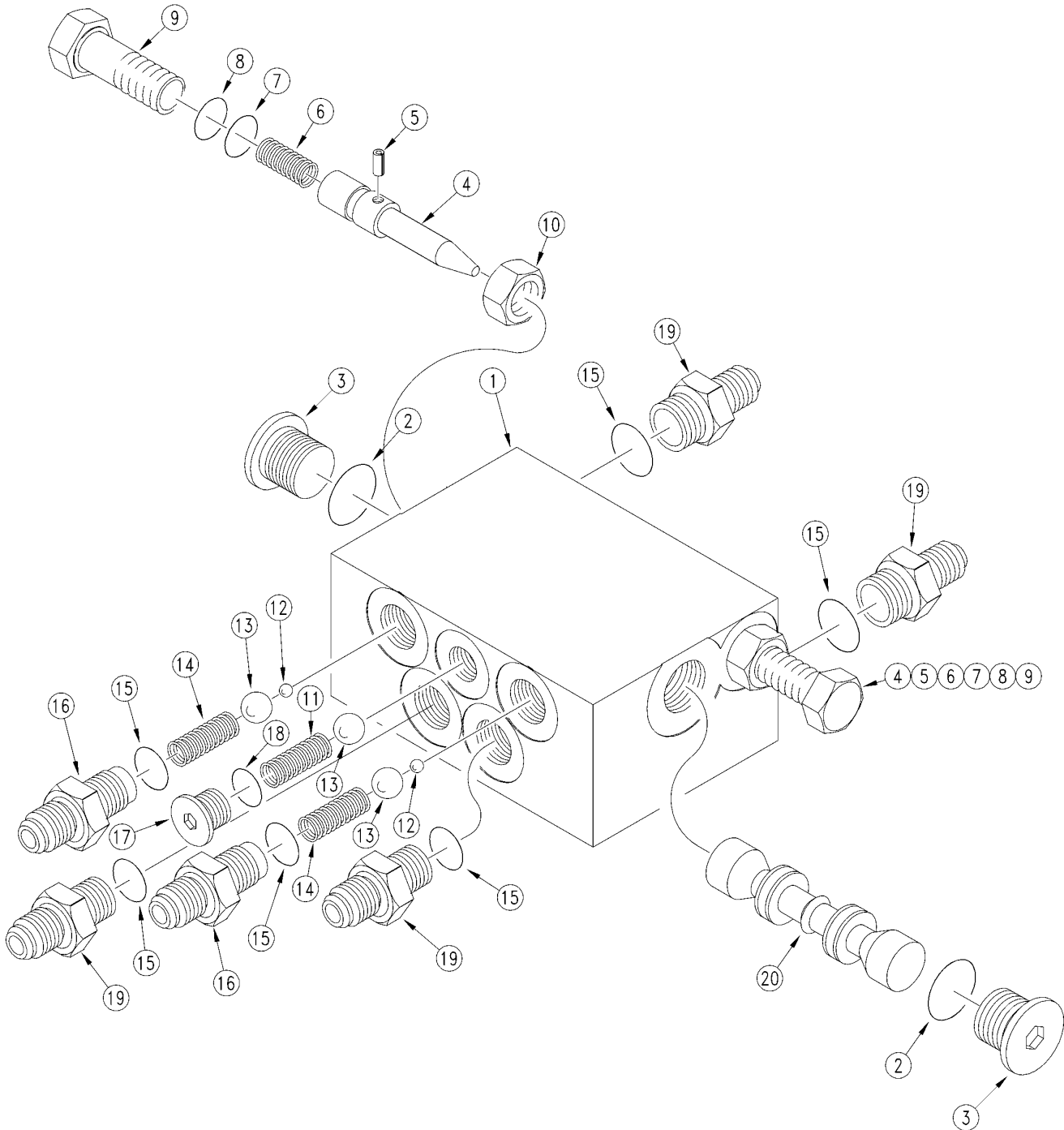
Marker Disc Assembly (113-025S)

(Applies to 3S-5000, 3S-5000F, 3S-5000HD, 3S-5000HDF only)

Ref	Part No.	Part Description	Comments	Revision
	dwg 25018	Image No.		
1.	113-018H	MARKER DISC SPINDLE WELDMENT		
2.	113-369H	DEPTH BAND 10 4-BOLT 4B.C.		
3.	116-353D	BLADE SPACER		
4.	116-354D	MARKER DISC SAFETY STRAP		
5.	802-017C	HHCS 3/8-16X1 GR5		
6.	803-014C	NUT HEX 3/8-16 PLT		
7.	803-053C	NUT HEX SLOTTED 3/4-16		
8.	804-012C	WASHER FLAT 3/8 SAE PLT		
9.	804-013C	WASHER LOCK SPRING 3/8 PLT		
10.	804-025C	WASHER FLAT 3/4 SAE PLT		
11.	805-019C	PIN COTTER 5/32 X 1 PLT		
12.	815-001C	TINE GW HUB	Excludes 7, 10, 11.	
13.	820-094C	16 4-BOLT NOTCHED MARKER DISK		

Sequence Valve (810-422C)

(Applies to 3S-5000, 3S-5000F, 3S-5000HD, 3S-5000HDF only)



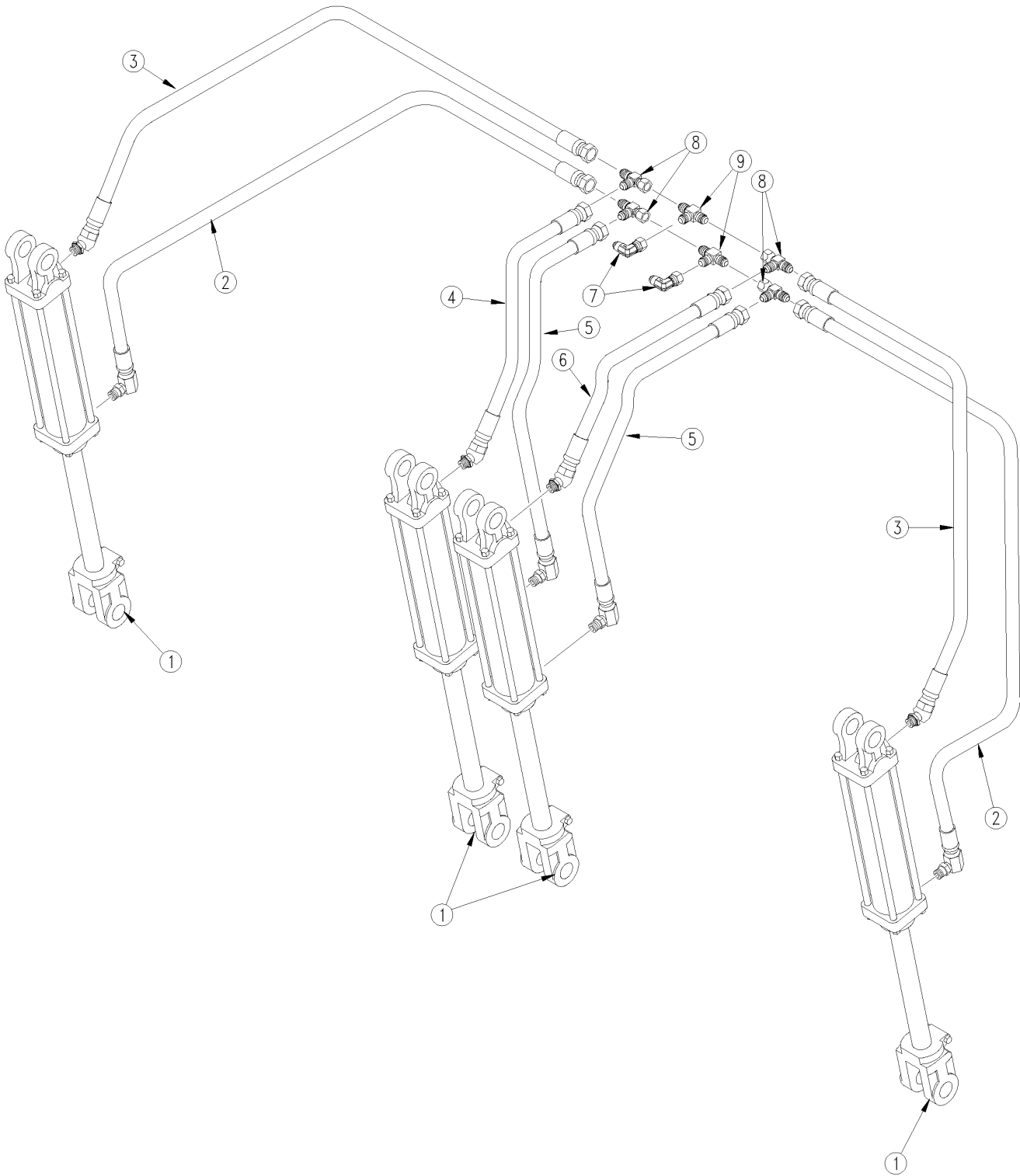
Sequence Valve (810-422C)

(Applies to 3S-5000, 3S-5000F, 3S-5000HD, 3S-5000HDF only)

Ref	Part No.	Part Description	Comments	Revision
	dwg12024	Image No.		
1.	3089	SHOEMAKER BODY MKR SEQ VALVE		
2.	1088-908	SHOEMAKER O-RING		
3.	1132-08	SHOEMAKER PLUG, HEX SOCKET		
4.	1179	SHOEMAKER NEEDLE, FLOW CONTROL		
5.	1217	SHOEMAKER .125 SPRING PIN		
6.	1211	SHOEMAKER SPRING COMPRESSION		
7.	1088-011	RPBY 1100-011		
8.	1089-011	RPBY SEAL KIT		
9.	1180	SHOEMAKER SCREW, FLOW CON.ADJ.		
10.	1218	SHOEMAKER HEX, JAM NUT Z PLTD.		
11.	1099	RPBY SEAL KIT		
12.	1087-250	RPBY SEAL KIT		
13.	1087-437	RPBY SEAL KIT		
14.	1042	RPBY SEAL KIT		
15.	1088-906	SHOEMAKER O-RING		
16.	1182	SHOEMAKER FITTING PORT ADPT.		
17.	1132-05	SHOEMAKER HEX, SKT O-RING PLUG		
18.	1088-905	SHOEMAKER O-RING		
19.	1092-6	RPBY 1092-6-6		
20.	2154	SHOEMAKER SPOOL, MKR SEQ. .076		

Center Section Hydraulics

(Applies to 3S-5000, 3S-5000F, 3S-5000HD, 3S-5000HDF only)



34344

Center Section Hydraulics

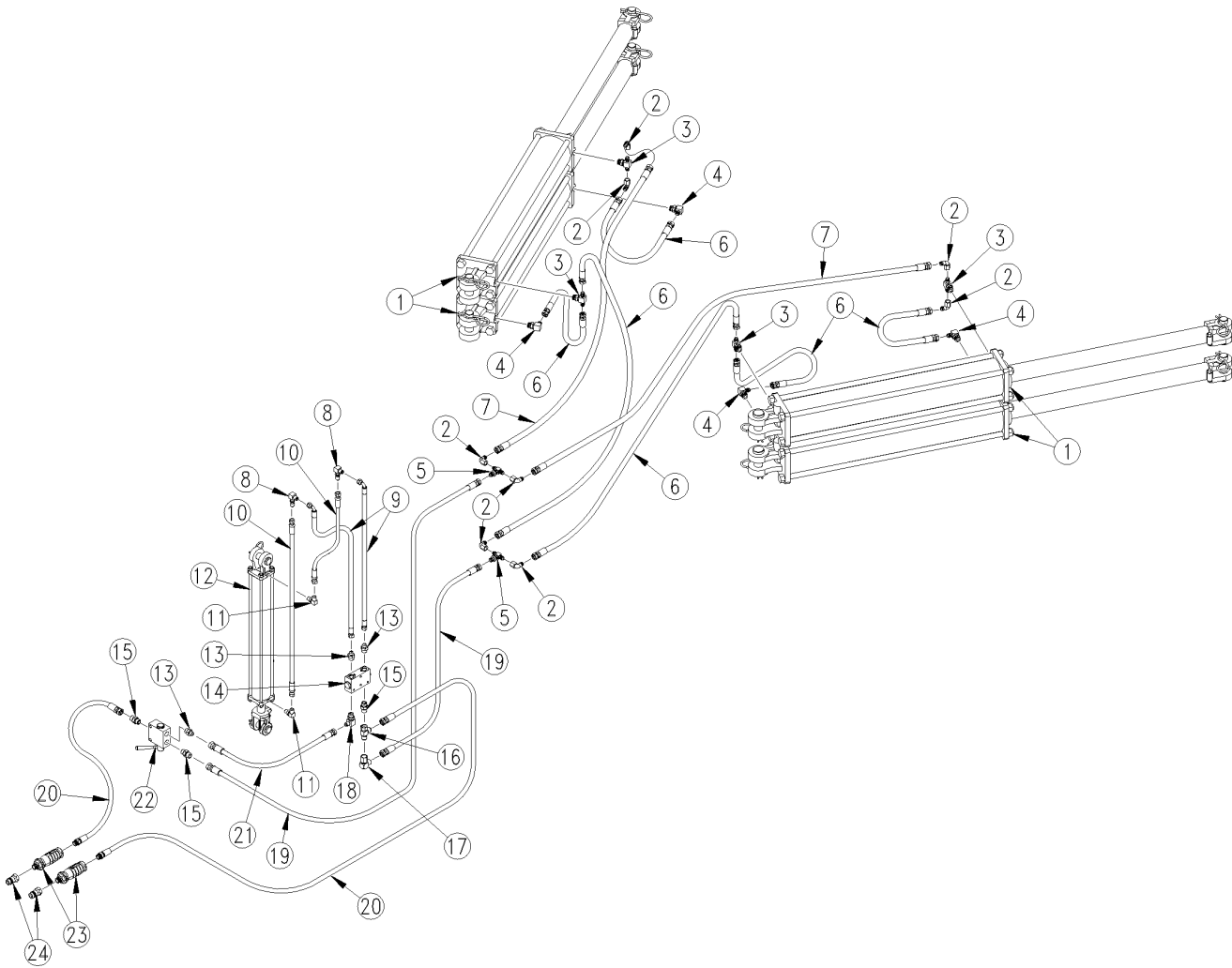
(Applies to 3S-5000, 3S-5000F, 3S-5000HD, 3S-5000HDF only)

Ref	Part No.	Part Description	Comments	Revision
	dwg34344	Image No.		
1.	810-299C	CYL 2X8X1.12 ROD (TIE ROD)	Refer to Hydraulic Cylinder (810-299C) for breakdown	
2.	841-686C	HH3/8R2 116 9/16FJIC9/16MORB90		
3.	851-126C	HH3/8R2 107 9/16FJIC9/16MORB45		
4.	841-684C	HH3/8R2 010 9/16FJIC9/16MORB45		
5.	851-125C	HH3/8R2 029 9/16FJIC9/16MORB90		
6.	851-637C	HH3/8R2 018 9/16FJIC9/16MORB45		
7.	811-169C	EL 9/16MJIC 9/16FJIC		
8.	811-061C	TE 9/16MJIC 9/16MJIC 9/16FJIC		
9.	811-312C	TE 9/16MJIC		

[Table of Contents](#) [Part Number Index](#)

Fold Hydraulics With Hydraulic Jack (S/N C1288L - C1295L)

(Applies to 3S-5000, 3S-5000F, 3S-5000HD, 3S-5000HDF only)



38570

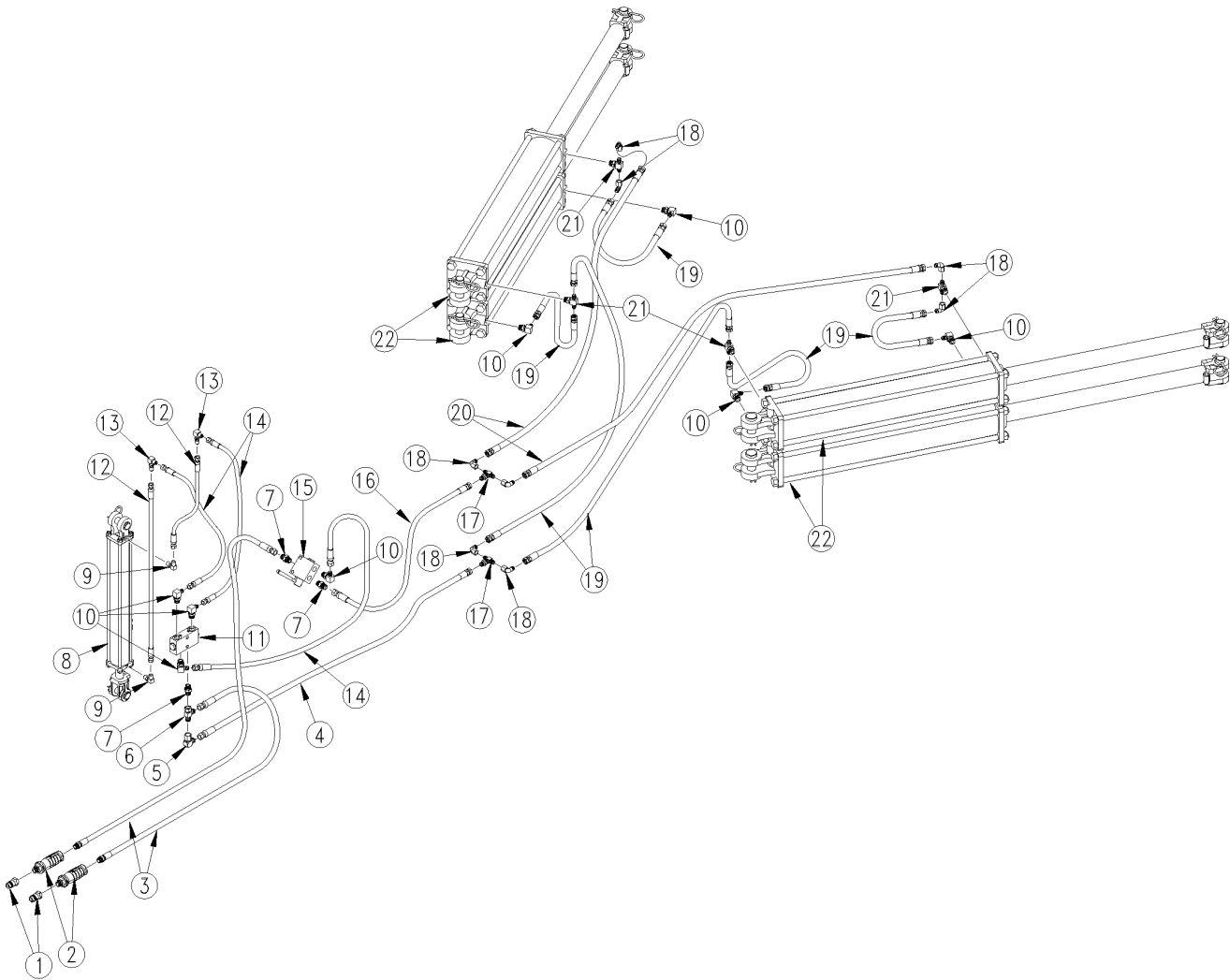
Fold Hydraulics With Hydraulic Jack (S/N C1288L - C1295L)

(Applies to 3S-5000, 3S-5000F, 3S-5000HD, 3S-5000HDF only)

Ref	Part No.	Part Description	Comments	Revision
	dwg	Image No.		
1.	810-805C	CYL 5X30X2.5 CYL ROD (TIE ROD)	Refer to Hyadraulic Cylinder (810-805C) for breakdown	
2.	811-169C	EL 9/16MJIC 9/16FJIC		
3.	811-470C	TE 9/16MJIC 3/4MORB 9/16MJIC		
4.	811-171C	EL 3/4MORB 9/16MJIC		
5.	811-356C	TE 9/16MJIC BH 9/16MJIC 9/16MJ		
6.	841-687C	HH3/8R2 013 9/16FJIC		
7.	841-779C	HH3/8R2 046 9/16FJIC		
8.	811-423C	EL 9/16MJIC BLKHD		
9.	851-895C	HH1/4R2 7.5 9/16FJIC9/16FJIC90		
10.	851-875C	HH1/4R2 027 9/16FJIC		
11.	811-065C	EL 9/16MJIC 9/16MORB		
12.	850-184C	CYL 2 1/2X20X1 1/8 ROD W/PINS		
13.	811-133C	AD 9/16MJIC 3/4MORB		
14.	850-142C	VALVE LOCK		
15.	811-088C	AD 3/4MORB 3/4MJIC		
16.	811-073C	TE 3/4MJIC 3/4MJIC 3/4FJIC		
17.	811-150C	EL 3/4FJIC 3/4MJIC		
18.	811-171C	EL 3/4MORB 9/16MJIC		
19.	851-255C	HH3/8R2 444 9/16FJIC 3/4FJIC		
20.	851-893C	HH1/2R2 095 3/4FJIC90 3/4MORB		
21.	851-896C	HH1/4R2 006 9/16FJIC		
22.	810-152C	SELECTOR VALVE 3-WAY 2 POS		
23.	548-005S	HG PAIR - GRAY MORB-FORB	Refer to Hydraulic Hose Grips for breakdown	
24.	811-394C	CP 3/4FORB MALE QD POPPET TYPE		

Fold Hydraulics With Hydraulic Jack (S/N C1296L+)

(Applies to 3S-5000, 3S-5000F, 3S-5000HD, 3S-5000HDF only)



38932

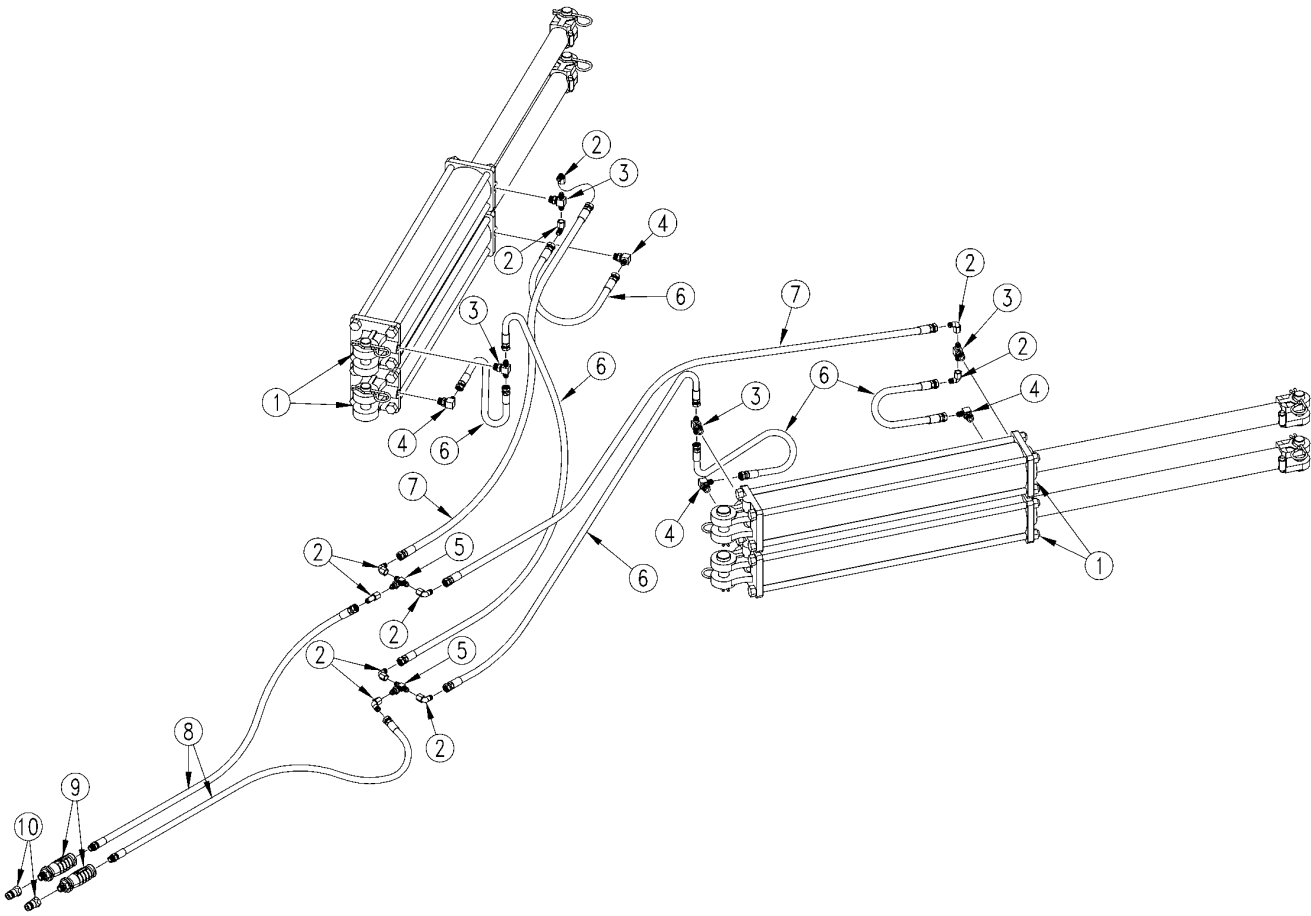
Fold Hydraulics With Hydraulic Jack (S/N C1296L+)

(Applies to 3S-5000, 3S-5000F, 3S-5000HD, 3S-5000HDF only)

Ref	Part No.	Part Description	Comments	Revision
	dwg38932	Image No.		
1.	811-394C	CP 3/4FORB MALE QD POPPET TYPE		
2.	548-005S	HG PAIR - GRAY MORB-FORB	Refer to Hydraulic Hose Grips for breakdown.	
3.	861-049C	HH1/2R2 115 3/4FJIC90 3/4MORB		
4.	861-047C	HH3/8R2 424 9/16FJIC 3/4FJIC		
5.	811-150C	EL 3/4FJIC 3/4MJIC		
6.	811-073C	TE 3/4MJIC 3/4MJIC 3/4FJIC		
7.	811-088C	AD 3/4MORB 3/4MJIC		
8.	850-184C	CYL 2 1/2X20X1 1/8 ROD W/PINS	Refer to Hydraulic Cylinder (850-184C) for Breakdown.	
9.	811-065C	EL 9/16MJIC 9/16MORB		
10.	811-171C	EL 3/4MORB 9/16MJIC		
11.	850-142C	VALVE LOCK		
12.	851-875C	HH1/4R2 027 9/16FJIC		
13.	811-423C	EL 9/16MJIC BLKHD W/ LN		
14.	851-877C	HH1/4R2 15 9/16FJIC 9/16FJIC90		
15.	810-152C	SELECTOR VALVE 3-WAY 2 POS		
16.	861-048C	HH3/8R2 414 9/16FJIC 3/4FJIC90		
17.	811-356C	TE 9/16MJIC BH 9/16MJIC 9/16MJ		
18.	811-169C	EL 9/16MJIC 9/16FJIC		
19.	841-687C	HH3/8R2 013 9/16FJIC		
20.	841-779C	HH3/8R2 046 9/16FJIC		
21.	811-470C	TE 9/16MJIC 3/4MORB 9/16MJIC		
22.	810-805C	CYL 5X30X2.5 CYL ROD (TIE ROD)	Refer to Hydraulic Cylinder (810-805C) for breakdown.	

Fold Hydraulics Without Hydraulic Jack

(Applies to 3S-5000, 3S-5000F, 3S-5000HD, 3S-5000HDF only)



34338

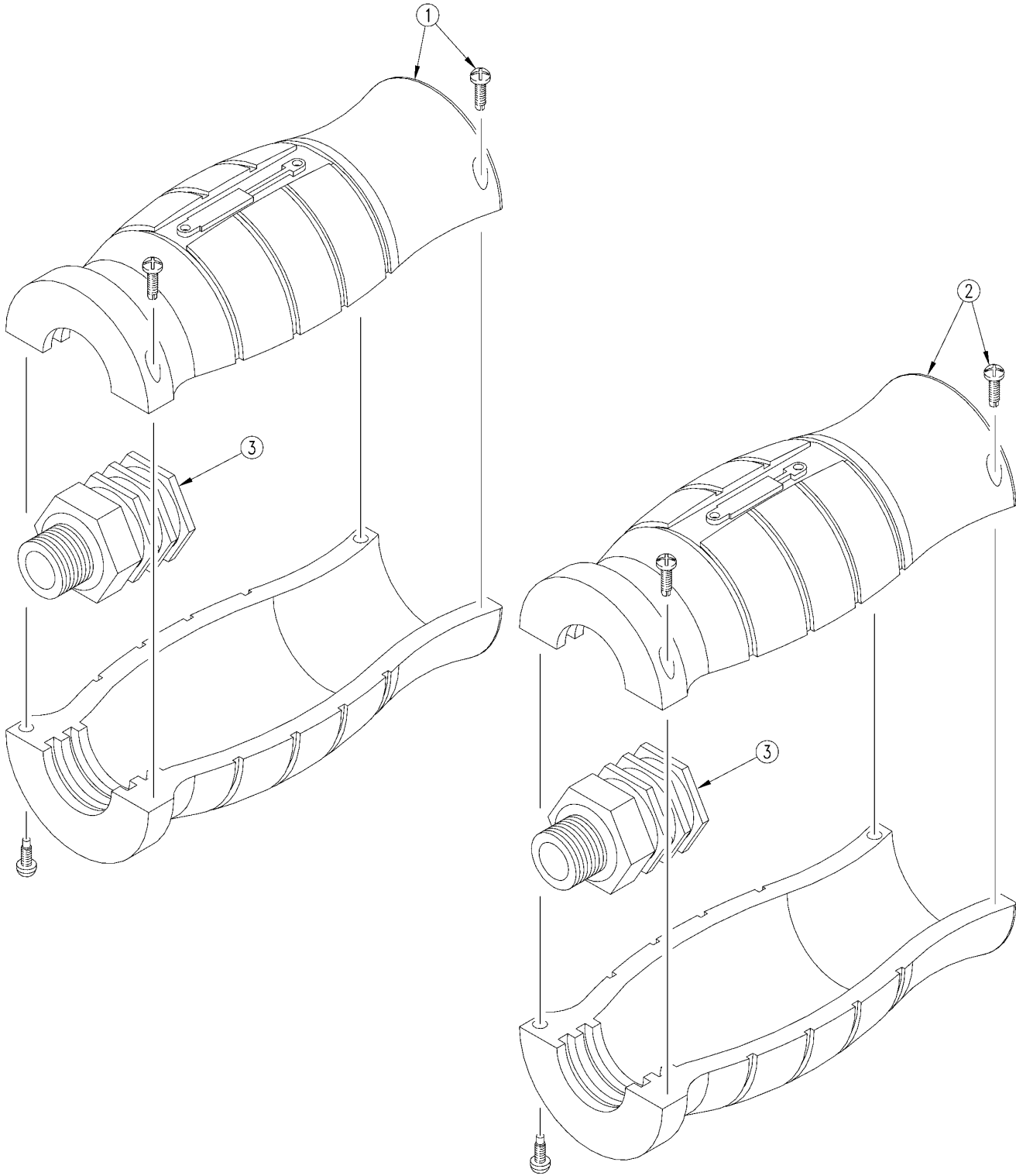
Fold Hydraulics Without Hydraulic Jack

(Applies to 3S-5000, 3S-5000F, 3S-5000HD, 3S-5000HDF only)

Ref	Part No.	Part Description	Comments	Revision
	dwg34338	Image No.		
1.	810-805C	CYL 5X30X2.5 CYL ROD (TIE ROD)	Refer to Hyadraulic Cylinder (810-805C) for breakdown	
2.	811-169C	EL 9/16MJIC 9/16FJIC		
3.	811-470C	TE 9/16MJIC 3/4MORB 9/16MJIC		
4.	811-171C	EL 3/4MORB 9/16MJIC		
5.	811-356C	TE 9/16MJIC BH 9/16MJIC 9/16MJ		
6.	841-687C	HH3/8R2 013 9/16FJIC		
7.	841-779C	HH3/8R2 046 9/16FJIC		
8.	841-778C	HH1/2R2 480 3/4MORB X 9/16FJIC		
9.	548-005S	HG PAIR - GRAY MORB-FORB	Refer to Hydraulic Hose Grips for breakdown	
10.	811-394C	CP 3/4FORB MALE QD POPPET TYPE		

Hydraulic Hose Grips

(Applies to 3S-5000, 3S-5000F, 3S-5000HD, 3S-5000HDF only)



31842

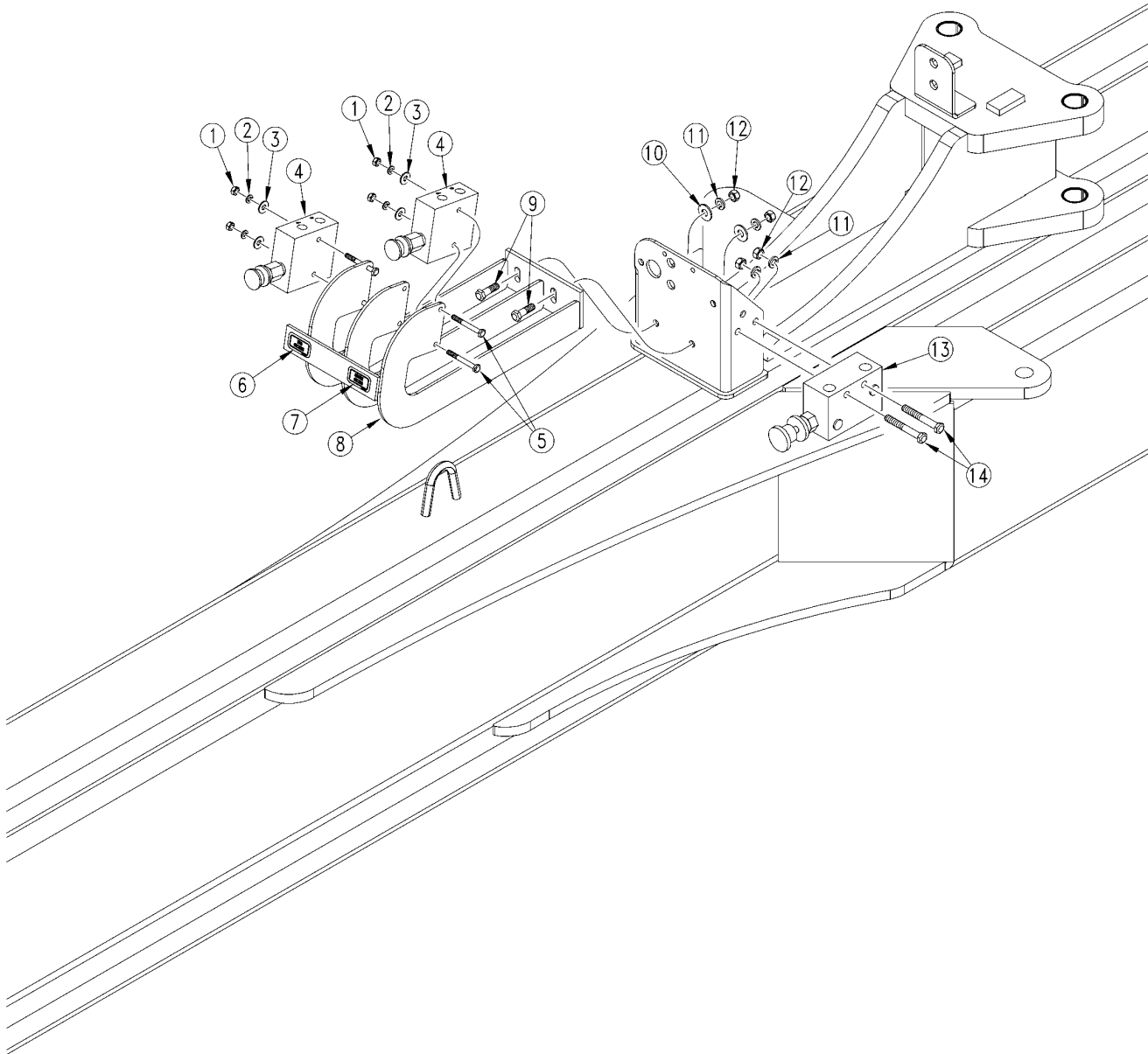
Hydraulic Hose Grips

(Applies to 3S-5000, 3S-5000F, 3S-5000HD, 3S-5000HDF only)

Ref	Part No.	Part Description	Comments	Revision
	dwg31842	Image No.		
1.	811-826C	HG HANDLE - BLACK EXT	Used on return to tractor hose & Used on air drill fan hose.	
1.	811-914C	HG HANDLE - RED EXT	Used on field lift cylinders.	
1.	811-915C	HG HANDLE - GREEN EXT	Used on marker cylinders.	
1.	811-917C	HG HANDLE - YELLOW EXT	Used on Hydraulic Drive.	
1.	841-540C	HG HANDLE - GRAY EXT	Used on fold cylinders.	
1.	841-542C	HG HANDLE - BLUE EXT	Used on transport lift cylinders.	
2.	811-913C	HG HANDLE - BLACK RET	Used on return to tractor hose & Used on air drill fan hose.	
2.	811-827C	HG HANDLE - RED RET	Used on field lift cylinders.	
2.	811-916C	HG HANDLE - GREEN RET	Used on marker cylinders.	
2.	811-918C	HG HANDLE - YELLOW RET	Used on Hydraulic Drive.	
2.	841-541C	HG HANDLE - GRAY RET	Used on fold cylinders.	
2.	841-543C	HG HANDLE - BLUE RET	Used on transport lift cylinders.	
3.	811-919C	AD 3/4MORB 3/4FORB (HG)		

Hydraulic Valve Mounting

(Applies to 3S-5000, 3S-5000F, 3S-5000HD, 3S-5000HDF only)



34354

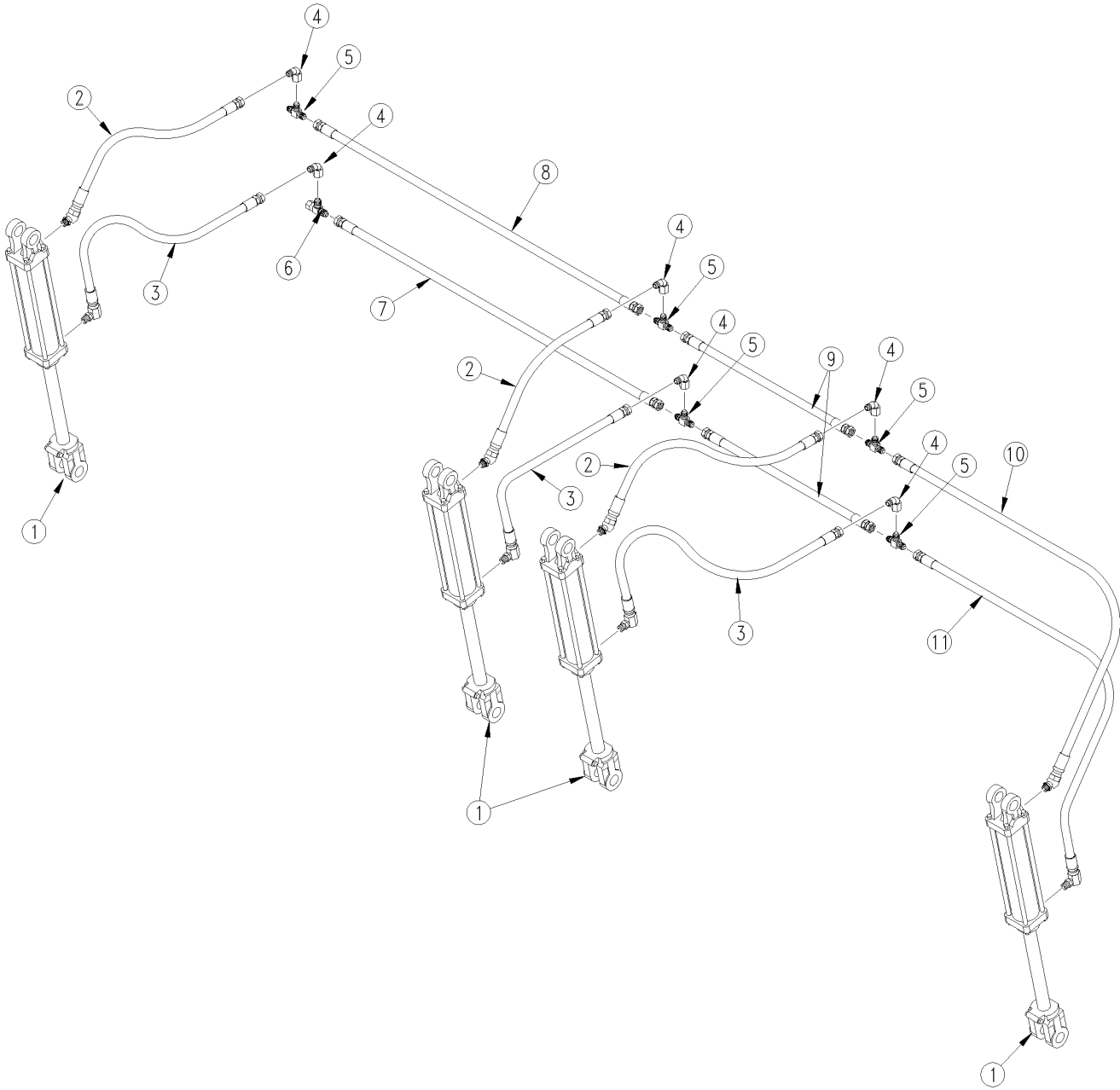
Hydraulic Valve Mounting

(Applies to 3S-5000, 3S-5000F, 3S-5000HD, 3S-5000HDF only)

Ref	Part No.	Part Description	Comments	Revision
	dwg34354	Image No.		
1.	803-006C	NUT HEX 1/4-20 PLT		
2.	804-006C	WASHER LOCK SPRING 1/4 PLT		
3.	804-075C	WASHER FLAT 1/4 USS PLT		
4.	810-301C	VALVE PRESS REDUCING W/CHECK		
5.	802-551C	HHCS 1/4-20X2 1/4 GR5		
6.	818-710C	DECAL WING SECTIONS		
7.	818-664C	DECAL CENTER SECTION		
8.	194-134H	VALVE MOUNT BRACKET		
9.	802-079C	HHCS 3/8-16X1 1/4 GR5		
10.	804-001C	WASHER ADJ HANDLE BRG		
11.	804-013C	WASHER LOCK SPRING 3/8 PLT		
12.	803-014C	NUT HEX 3/8-16 PLT		
13.	810-432C	HYDRAULIC BYPASS VALVE		
14.	802-216C	HHCS 3/8-16X2 3/4 GR5		

Left Wing Hydraulics

(Applies to 3S-5000, 3S-5000F, 3S-5000HD, 3S-5000HDF only)



34347

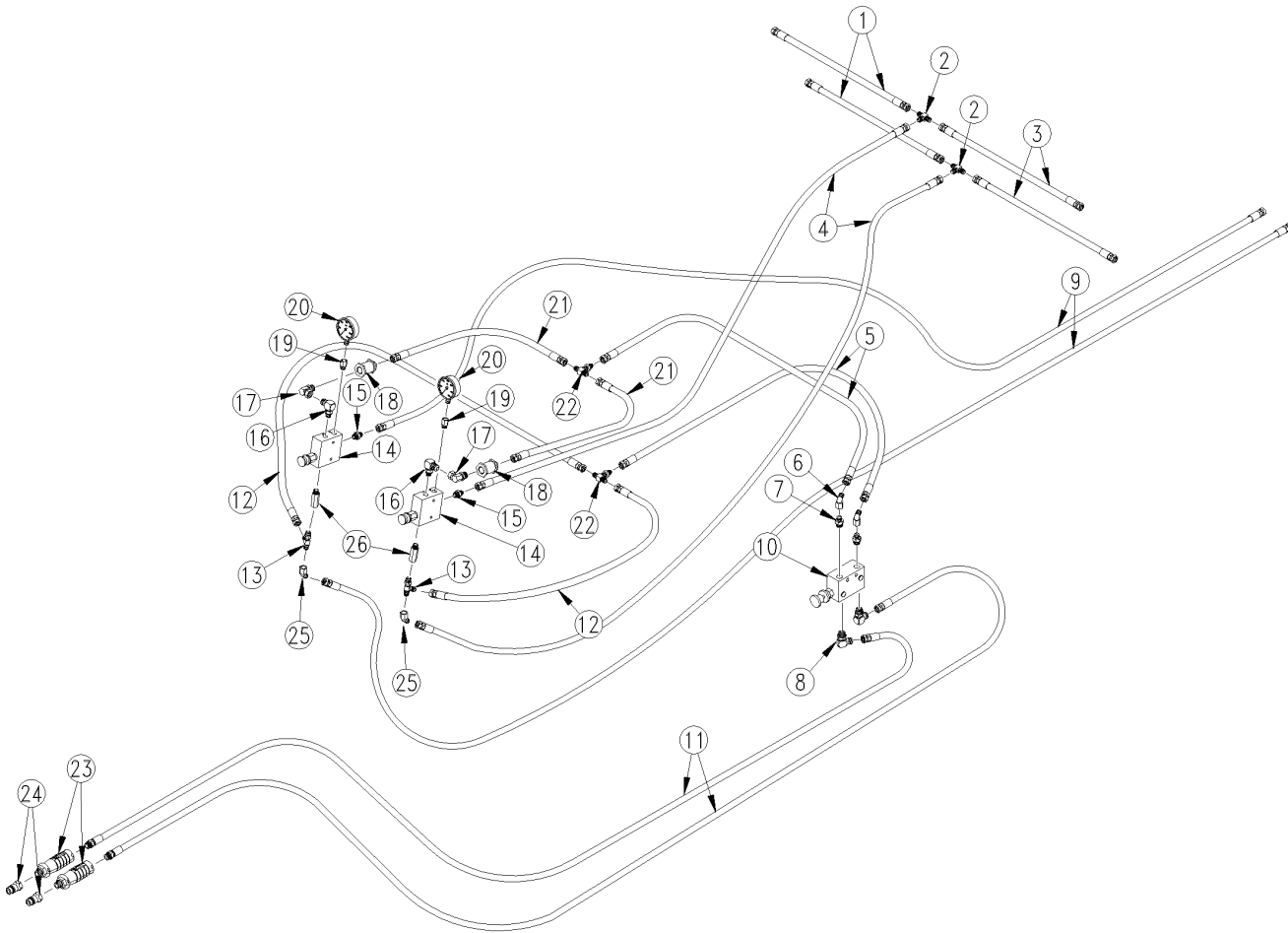
Left Wing Hydraulics

(Applies to 3S-5000, 3S-5000F, 3S-5000HD, 3S-5000HDF only)

Ref	Part No.	Part Description	Comments	Revision
	dwg34347	Image No.		
1.	810-299C	CYL 2X8X1.12 ROD (TIE ROD)	Refer to Hydraulic Cylinder (810-299C) for breakdown	
2.	841-684C	HH3/8R2 010 9/16FJIC9/16MORB45		
3.	841-688C	HH3/8R2 022 9/16FJIC9/16MORB90		
4.	811-169C	EL 9/16MJIC 9/16FJIC		
5.	811-312C	TE 9/16MJIC		
6.	811-061C	TE 9/16MJIC 9/16MJIC 9/16FJIC		
7.	851-636C	HH3/8R2 071 9/16FJIC 9/16MJIC		
8.	841-689C	HH3/8R2 071 9/16FJIC		
9.	841-687C	HH3/8R2 013 9/16FJIC		
10.	841-691C	HH3/8R2 081 9/16FJIC9/16MORB45		
11.	851-127C	HH3/8R2 089 9/16FJIC9/16MORB90		

Opener Down Pressure Hydraulics

(Applies to 3S-5000, 3S-5000F, 3S-5000HD, 3S-5000HDF only)



34341

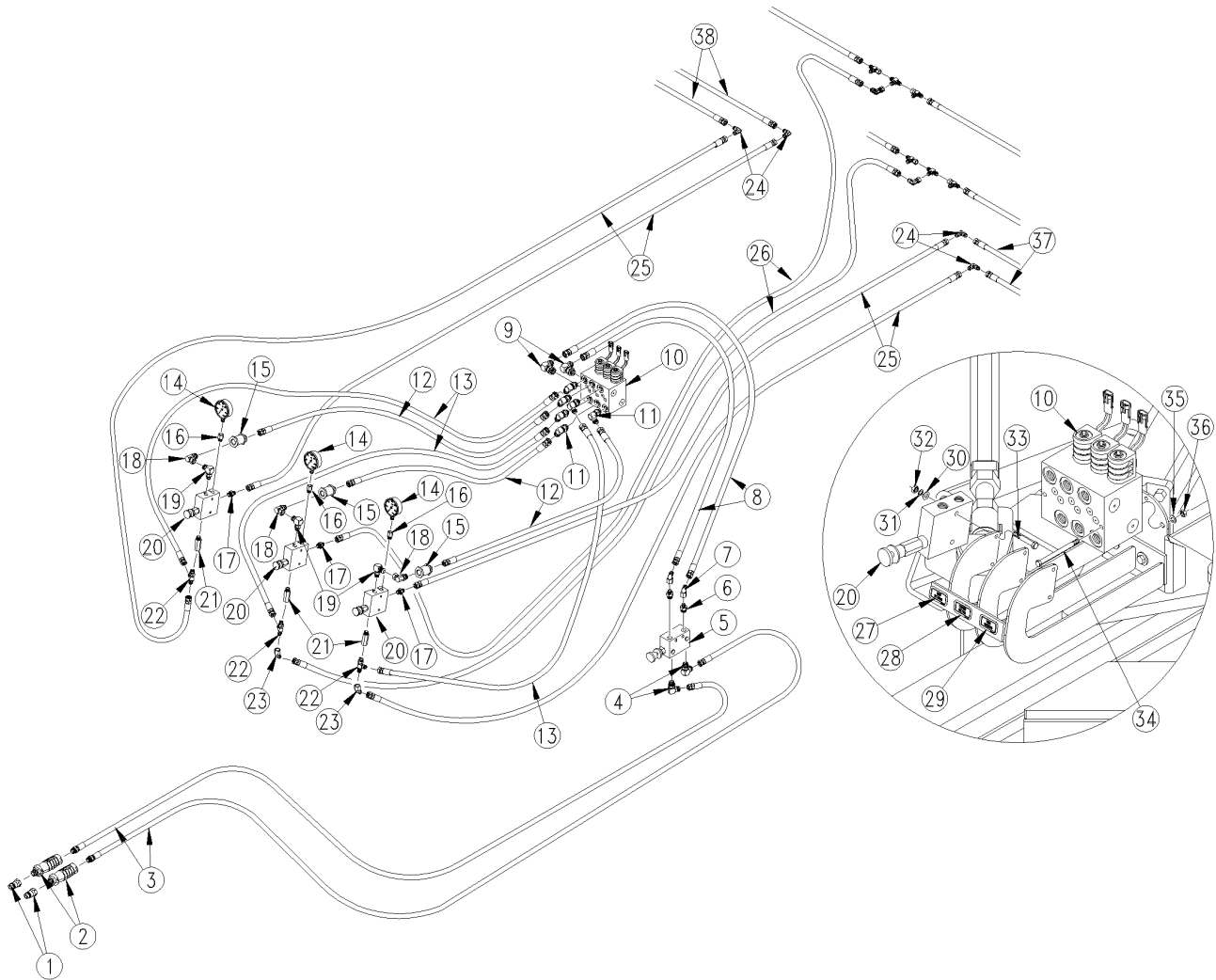
Opener Down Pressure Hydraulics

(Applies to 3S-5000, 3S-5000F, 3S-5000HD, 3S-5000HDF only)

Ref	Part No.	Part Description	Comments	Revision
	dwg34341	Image No.		
1.	841-360C	HH3/8R2 142 9/16FJIC		
2.	811-312C	TE 9/16MJIC		
3.	841-784C	HH3/8R2 133 9/16FJIC		
4.	841-783C	HH3/8R2 100 9/16FJIC		
5.	811-702C	HH3/8R2 017 9/16FJIC		
6.	811-169C	EL 9/16MJIC 9/16FJIC		
7.	811-133C	AD 9/16MJIC 3/4MORB		
8.	841-077C	EL 3/4FJIC 3/4MORB		
9.	841-371C	HH3/8R2 120 9/16FJIC		
10.	810-432C	HYDRAULIC BYPASS VALVE		
11.	841-785C	HH1/2R2 504 3/4MORB X 3/4FJIC		
12.	841-181C	HH3/8R2 018 9/16FJIC		
13.	811-064C	TE 9/16MJIC 9/16MJIC 9/16MORB		
14.	810-301C	VALVE PRESS REDUCING W/CHECK		
15.	811-170C	AD 9/16MORB 9/16MJIC		
16.	811-216C	EL 3/4MJIC 9/16MORB		
17.	841-077C	EL 3/4FJIC 3/4MORB		
18.	810-554C	FILTER INLINE 3/4FORB 3/4MJIC		
19.	811-677C	AD 9/16MORB 1/4FNPT		
20.	810-300C	PRESSURE GAUGE 3000 PSI		
21.	811-286C	HH3/8R2 020 3/4FJIC 9/16FJIC		
22.	811-356C	TE 9/16MJIC BH 9/16MJIC 9/16MJ		
23.	548-002S	HG PAIR - RED MORB-FORB	Refer to Hydraulic Hose Grips for breakdown	
24.	811-394C	CP 3/4FORB MALE QD POPPET TYPE		
25.	811-397C	EL 45 9/16MJIC 9/16FJIC		
26.	851-310C	VALVE INLINE CHECK SAE 6	(S/N C1147L+)	

Point Row Hydraulics

(Applies to 3S-5000, 3S-5000F, 3S-5000HD, 3S-5000HDF only)



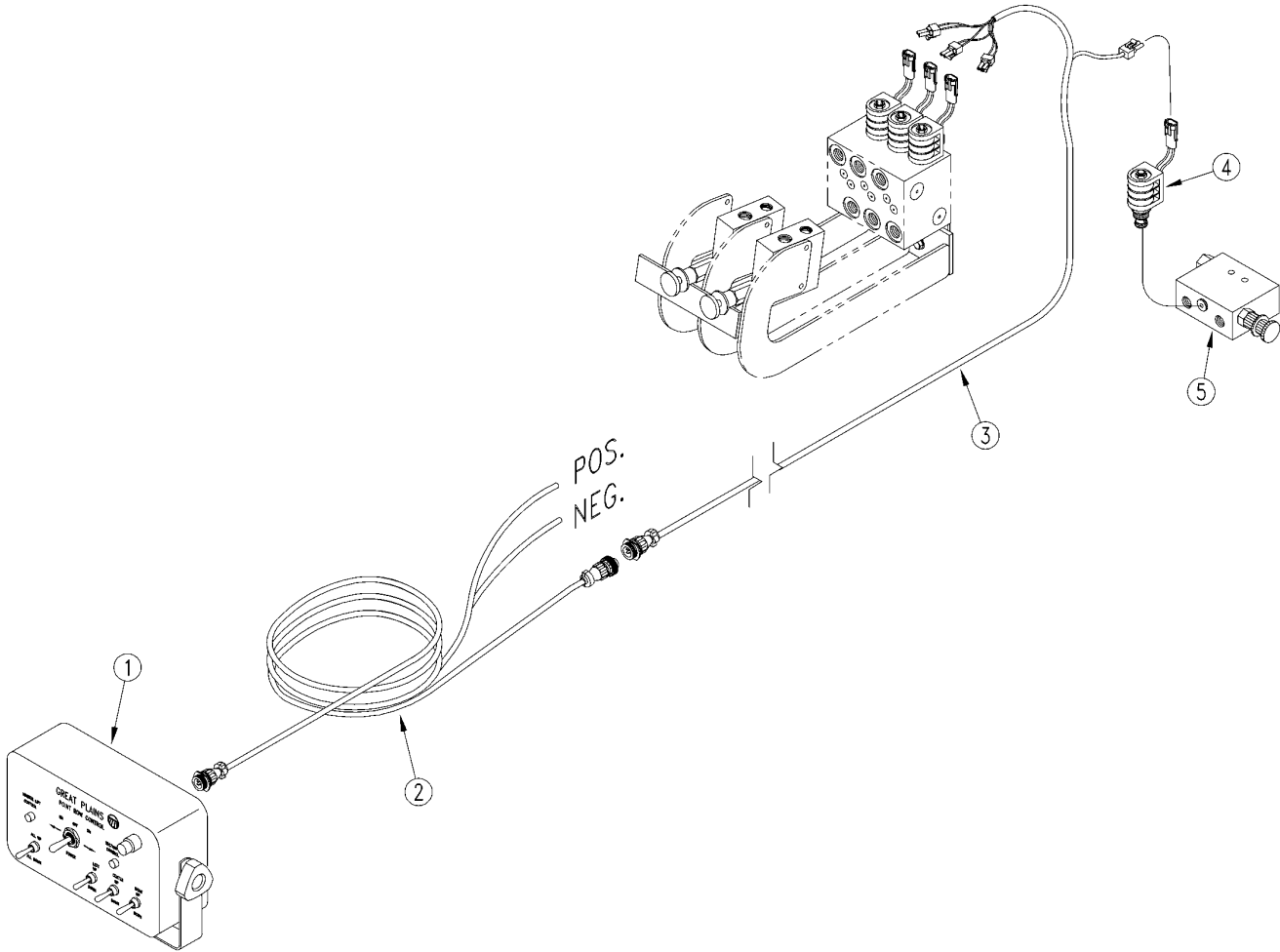
Point Row Hydraulics

(Applies to 3S-5000, 3S-5000F, 3S-5000HD, 3S-5000HDF only)

Ref	Part No.	Part Description	Comments	Revision
	dwg38189	Image No.		
1.	811-394C	CP 3/4FORB MALE QD POPPET TYPE		
2.	548-002S	HG PAIR - RED MORB-FORB		
3.	841-785C	HH1/2R2 504 3/4MORB X 3/4FJIC		
4.	811-063C	EL 3/4MJIC 3/4MORB		
5.	810-432C	HYDRAULIC BYPASS VALVE		
6.	811-133C	AD 9/16MJIC 3/4MORB		
7.	811-169C	EL 9/16MJIC 9/16FJIC		
8.	811-702C	HH3/8R2 017 9/16FJIC		
9.	811-171C	EL 3/4MORB 9/16MJIC		
10.	811-371C	HH1/4R2 113 9/16FJIC 3/8MORB90		
11.	811-065C	EL 9/16MJIC 9/16MORB		
12.	811-286C	HH3/8R2 020 3/4FJIC 9/16FJIC		
13.	841-181C	HH3/8R2 018 9/16FJIC		
14.	810-300C	PRESSURE GAUGE 3000 PSI		
15.	810-554C	FILTER INLINE 3/4FORB 3/4MJIC		
16.	811-677C	AD 9/16MORB 1/4FNPT		
17.	811-170C	AD 9/16MORB 9/16MJIC		
18.	841-077C	EL 3/4FJIC 3/4MORB		
19.	811-216C	EL 3/4MJIC 9/16MORB		
20.	810-301C	VALVE PRESS REDUCING W/CHECK		
21.	851-310C	VALVE INLINE CHECK SAE 6		
22.	811-064C	TE 9/16MJIC 9/16MJIC 9/16MORB		
23.	811-397C	EL 45 9/16MJIC 9/16FJIC		
24.	811-393C	EL 9/16MJIC		
25.	841-371C	HH3/8R2 120 9/16FJIC		
26.	841-783C	HH3/8R2 103 9/16FJIC		
27.	818-662C	DECAL RIGHT SECTION		
28.	818-664C	DECAL CENTER SECTION		
29.	818-663C	DECAL LEFT SECTION		
30.	804-075C	WASHER FLAT 1/4 USS PLT		
31.	804-006C	WASHER LOCK SPRING 1/4 PLT		
32.	802-551C	HHCS 1/4-20X2 1/4 GR5		
33.	802-551C	HHCS 1/4-20X2 1/4 GR5		
34.	802-026C	HHCS 3/8-16X3 3/4 GR5		
35.	804-011C	WASHER FLAT 3/8 USS PLT		
36.	803-013C	NUT LOCK 3/8-16 PLT		
37.	841-784C	HH3/8R2 133 9/16FJIC		
38.	841-782C	HH3/8R2 127 9/16FJIC		

Point Row Control Box With Cables

(Applies to 3S-5000, 3S-5000F, 3S-5000HD, 3S-5000HDF only)



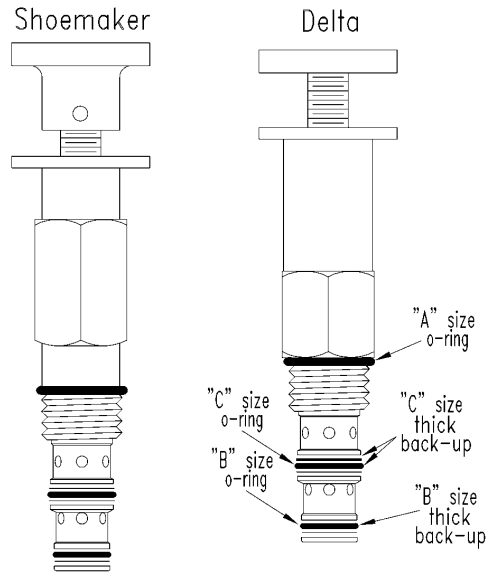
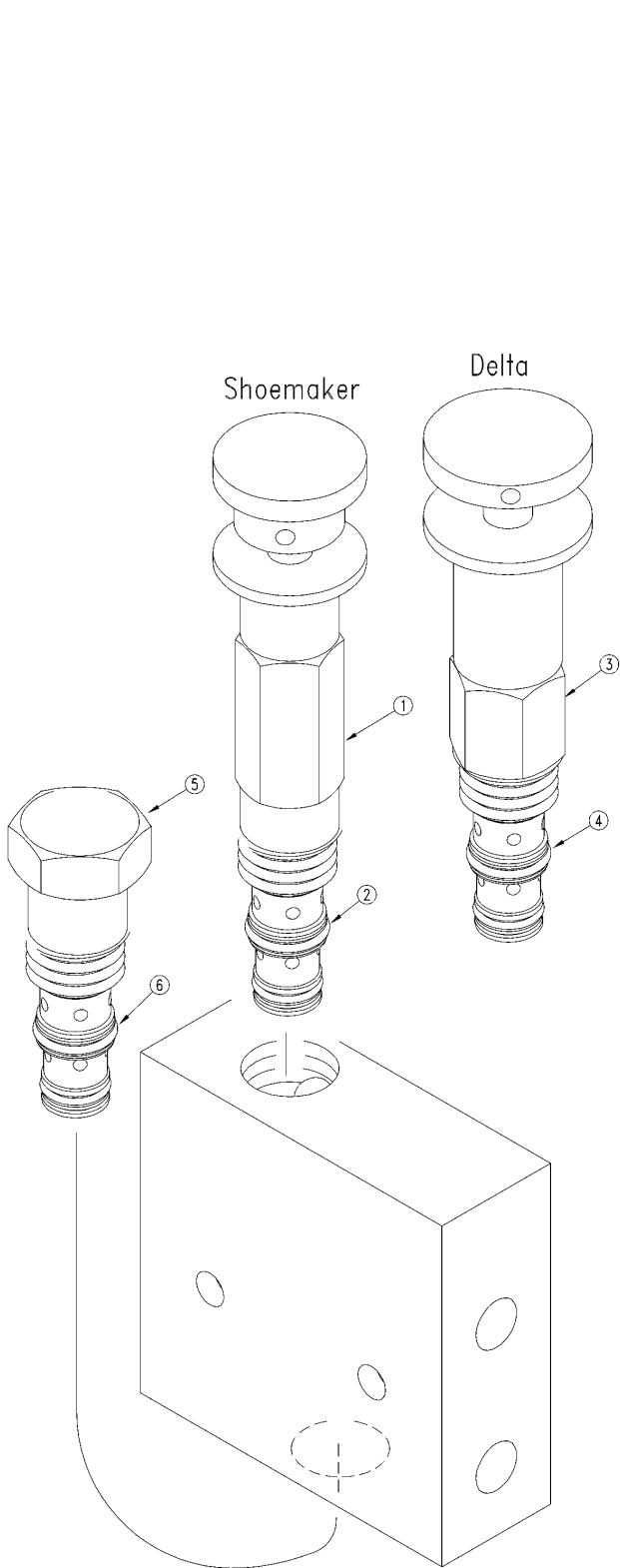
Point Row Control Box With Cables

(Applies to 3S-5000, 3S-5000F, 3S-5000HD, 3S-5000HDF only)

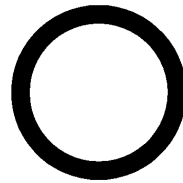

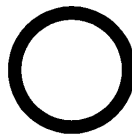
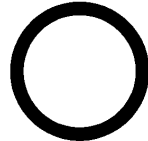
Ref	Part No.	Part Description	Comments	Revision
	dwg22972	Image No.		
1.	823-185C	POINT ROW CONTROL BOX		
2.	823-190C	POINT ROW CABLE W/ POWER LEAD		
3.	823-175C	3 SECT POINT ROW WIRE HARNESS		
4.	810-408C	BYPASS CARTRIDGE AND SOLENOID		
5.	810-432C	HYDRAULIC BYPASS VALVE		

Pressure Reducing Valve (810-301C)

(Applies to 3S-5000, 3S-5000F, 3S-5000HD, 3S-5000HDF only)



Seal Kit
For 7/8"-14 Series Valves

	<u>A</u> OD .949 ID .754
	<u>B</u> OD .629 ID .489
	<u>C</u> OD .691 ID .551
	<u>D</u> OD .754 ID .614

Scale: 1=1

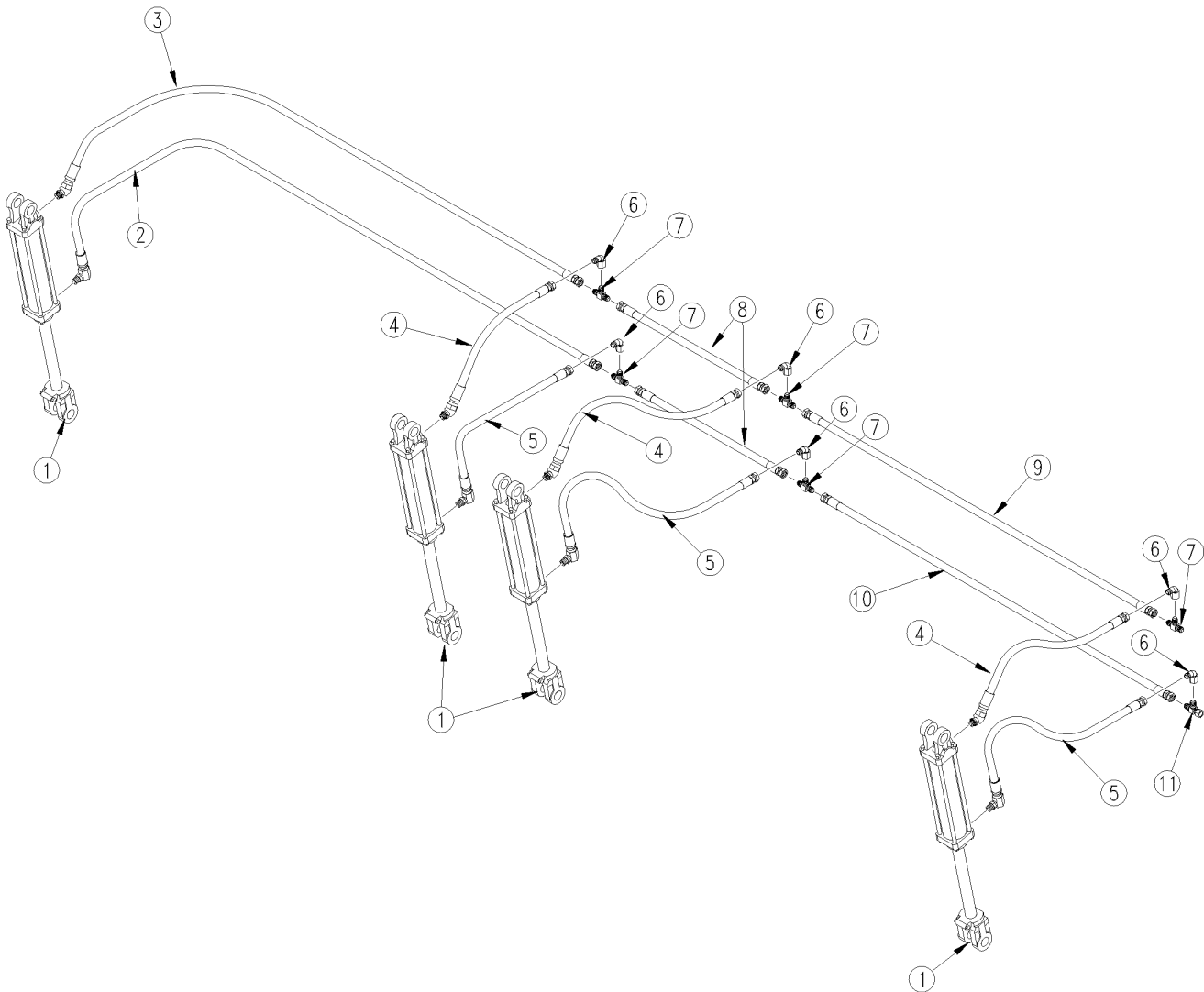
Pressure Reducing Valve (810-301C)

(Applies to 3S-5000, 3S-5000F, 3S-5000HD, 3S-5000HDF only)

Ref	Part No.	Part Description	Comments	Revision
	dwg18804	Image No.		
1.	PRPIL-10-K-25	CARTRIDGE PRESS RED SHOEMAKER		
2.	5075	RPBY 810-452C		
3.	85020040	DELTA CARTRIDGE ONLY WITH KNOB		
4.	810-303C	SEAL KIT 7/8-14 DELTA 21170040	See chart for sizes	
5.	CP2-10	REPLACED BY CP2-10-0		
6.	5070	RPBY 5075		
	810-303C	SEAL KIT 7/8-14 DELTA 21170040	Includes: 2 Each of the thin Back-Up Rings, sizes B, C, and D. 1 Each of the thick Back-Up Rings, sizes C and D. 2 Each of the thick Back-Up Rings size B. 1 Each of O-Rings sizes A, B, C, and D.	

Right Wing Hydraulics

(Applies to 3S-5000, 3S-5000F, 3S-5000HD, 3S-5000HDF only)



34345

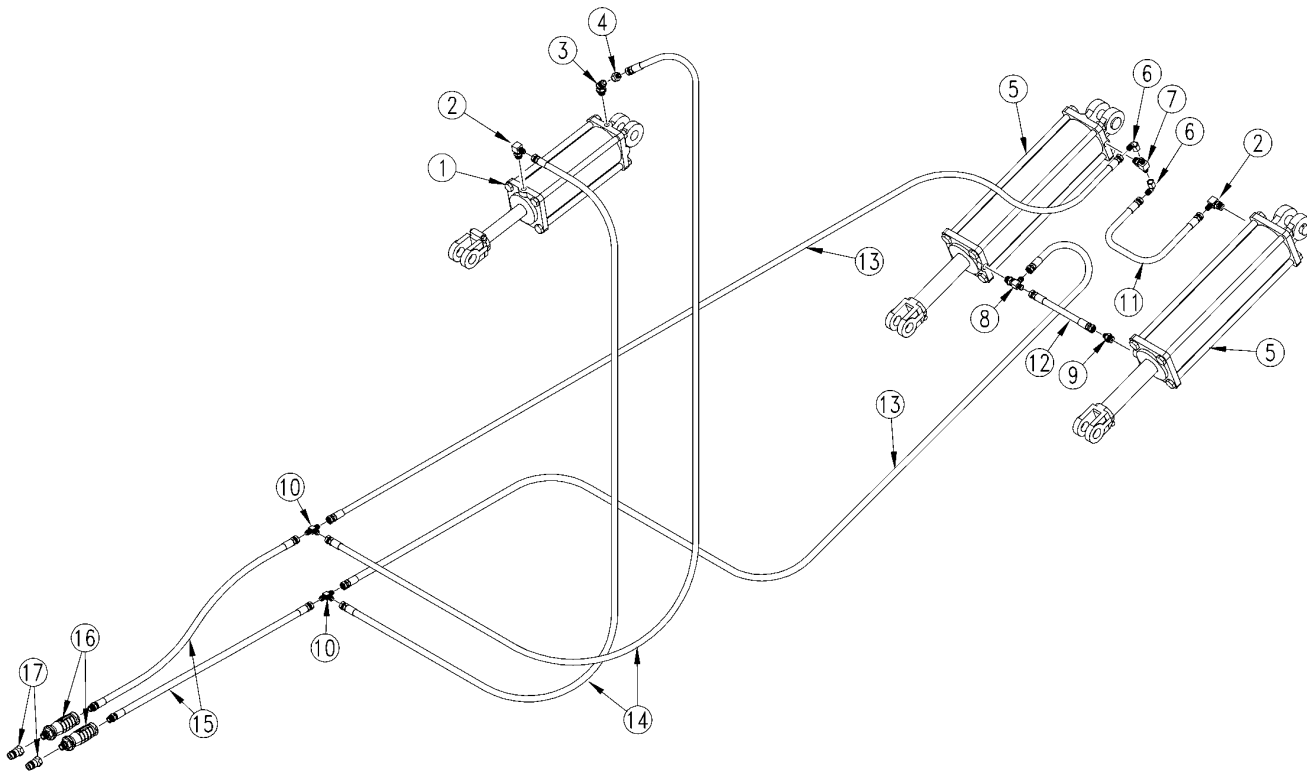
Right Wing Hydraulics

(Applies to 3S-5000, 3S-5000F, 3S-5000HD, 3S-5000HDF only)

Ref	Part No.	Part Description	Comments	Revision
	dwg34345	Image No.		
1.	810-299C	CYL 2X8X1.12 ROD (TIE ROD)	Refer to Hydraulic Cylinder (810-299C) for breakdown	
2.	805-065C	PIN WIRE RETAINING 1/4 X 1 3/4		
3.	811-416C	EL 45 9/16MJIC 9/16MORB		
4.	841-691C	HH3/8R2 073 9/16FJIC		
5.	841-690C	HH3/8R2 081 9/16FJIC		
6.	811-169C	EL 9/16MJIC 9/16FJIC		
7.	841-684C	HH3/8R2 010 9/16FJIC		
8.	841-688C	HH3/8R2 022 9/16FJIC		
9.	811-312C	TE 9/16MJIC		
10.	841-681C	HH1/2R2 068 3/4FJIC TUFF COAT		
11.	841-687C	HH3/8R2 013 9/16FJIC		

Transport Axle Hydraulics and Transport Hook Hydraulics

(Applies to 3S-5000, 3S-5000F, 3S-5000HD, 3S-5000HDF only)



34340

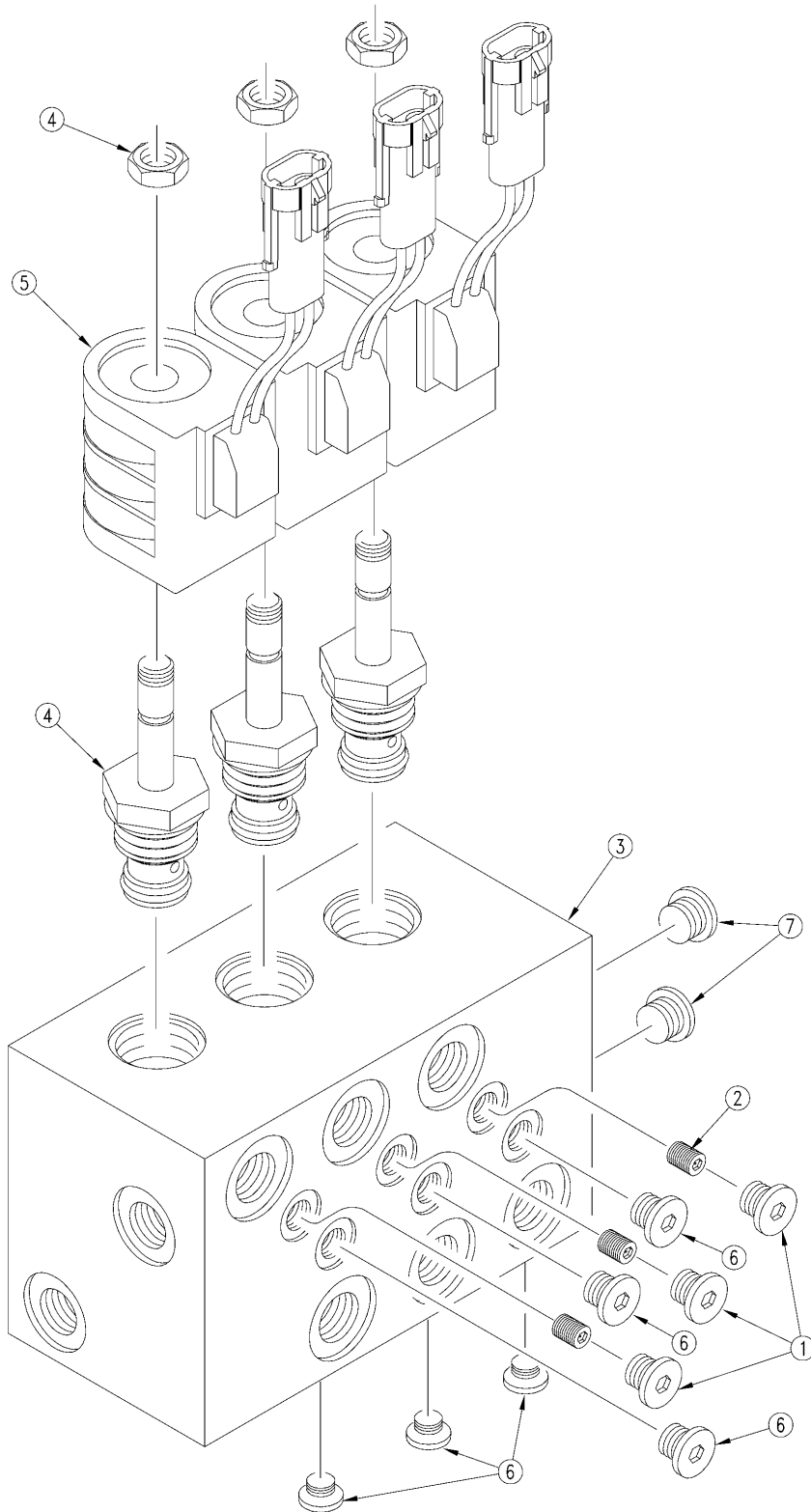
Transport Axle Hydraulics and Transport Hook Hydraulics

(Applies to 3S-5000, 3S-5000F, 3S-5000HD, 3S-5000HDF only)

Ref	Part No.	Part Description	Comments	Revision
	dwg34340	Image No.		
1.	810-806C	CYL 4.5X10X1.5 ROD (TIE ROD)	Refer to Hydraulic Cylinder (810-806C) for breakdown	
2.	811-171C	EL 3/4MORB 9/16MJIC		
3.	811-690C	EL 45 3/4MORB 3/4MJIC		
4.	811-146C	AD 3/4FJIC 9/16MJIC		
5.	810-807C	CYL 4.75X16X2 ROD (TIE ROD)	Refer to Hydraulic Cylinder (810-807C) for breakdown	
6.	811-169C	EL 9/16MJIC 9/16FJIC		
7.	811-470C	TE 9/16MJIC 3/4MORB 9/16MJIC		
8.	811-249C	TE 9/16MJIC 3/4MORB 9/16MJIC		
9.	811-133C	AD 9/16MJIC 3/4MORB		
10.	811-312C	TE 9/16MJIC		
11.	811-705C	HH3/8R2 050 9/16FJIC		
12.	811-702C	HH3/8R2 017 9/16FJIC		
13.	841-781C	HH3/8R2 432 9/16FJIC		
14.	841-780C	HH3/8R2 149 9/16FJIC		
15.	811-789C	HH3/8R2 096 9/16FJIC 3/4MORB		
16.	548-006S	HG PAIR - BLUE MORB-FORB	Refer to Hydraulic Hose Grips for breakdown	
17.	811-394C	CP 3/4FORB MALE QD POPPET TYPE		

Manifold Block (810-371C) (Option)

(Applies to 3S-5000, 3S-5000F, 3S-5000HD, 3S-5000HDF only)



17027

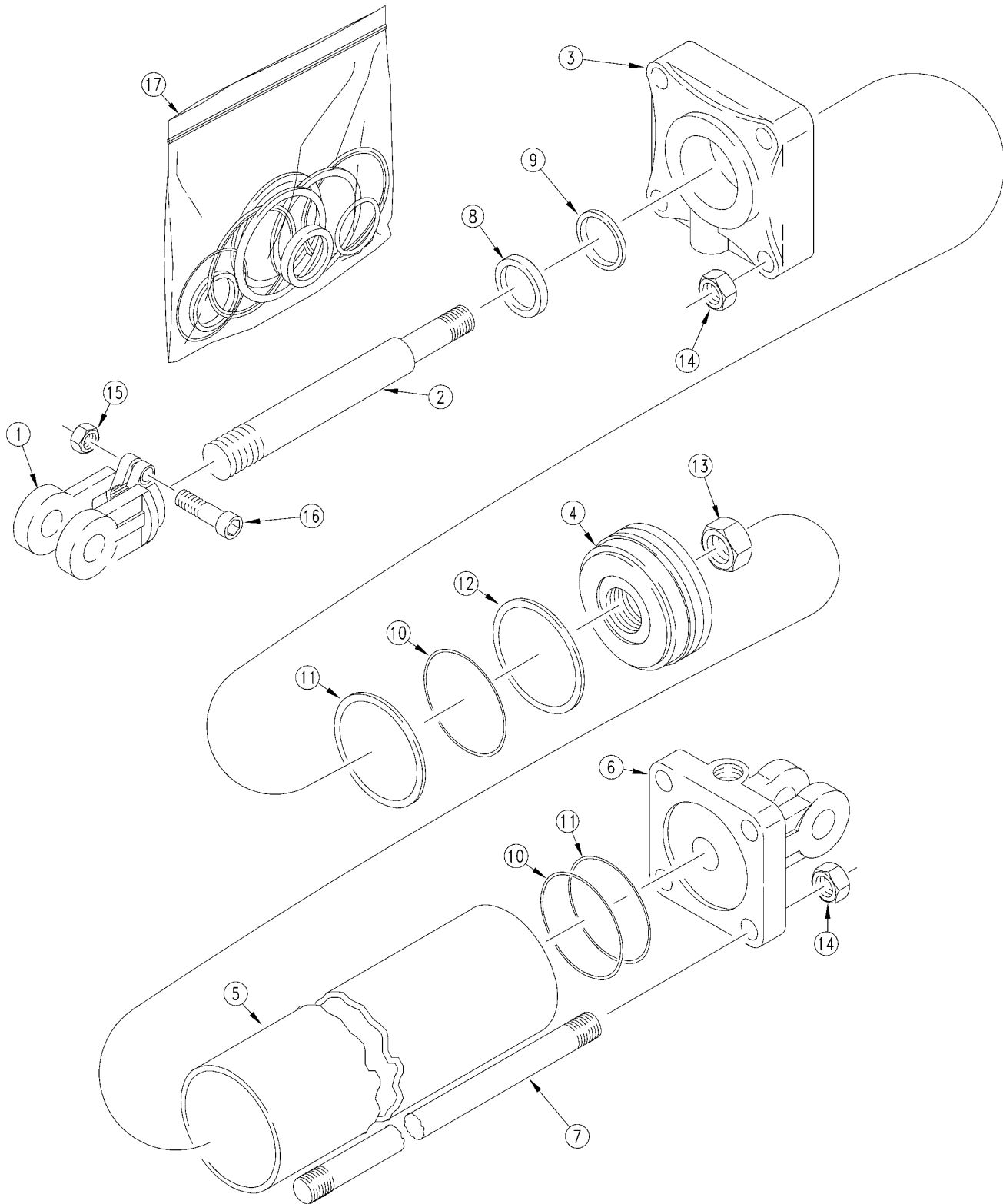
Manifold Block (810-371C) (Option)

(Applies to 3S-5000, 3S-5000F, 3S-5000HD, 3S-5000HDF only)

Ref	Part No.	Part Description	Comments	Revision
	dwg17027	Image No.		
1.	61010016	#4 SAE PLUG		
2.	61010039	.078 ORIFICE PLUG		
3.	30102754	MANIFOLD		
4.	85002333	DELTA 4W2P VALVE DGS4D-00		
5.	39680008	DELTA COIL 12VDC W CONN		
6.	61011003	#4 SAE PLUG ZL		
7.	811-203C	PL 3/4MORB HOLLOW HEX		
7.	500-090B	SEAL KIT 7/8-14 DELTA W/ LTITE		

Hydraulic Cylinder (810-423C)

(Applies to 3S-5000, 3S-5000F, 3S-5000HD, 3S-5000HDF only)



18964

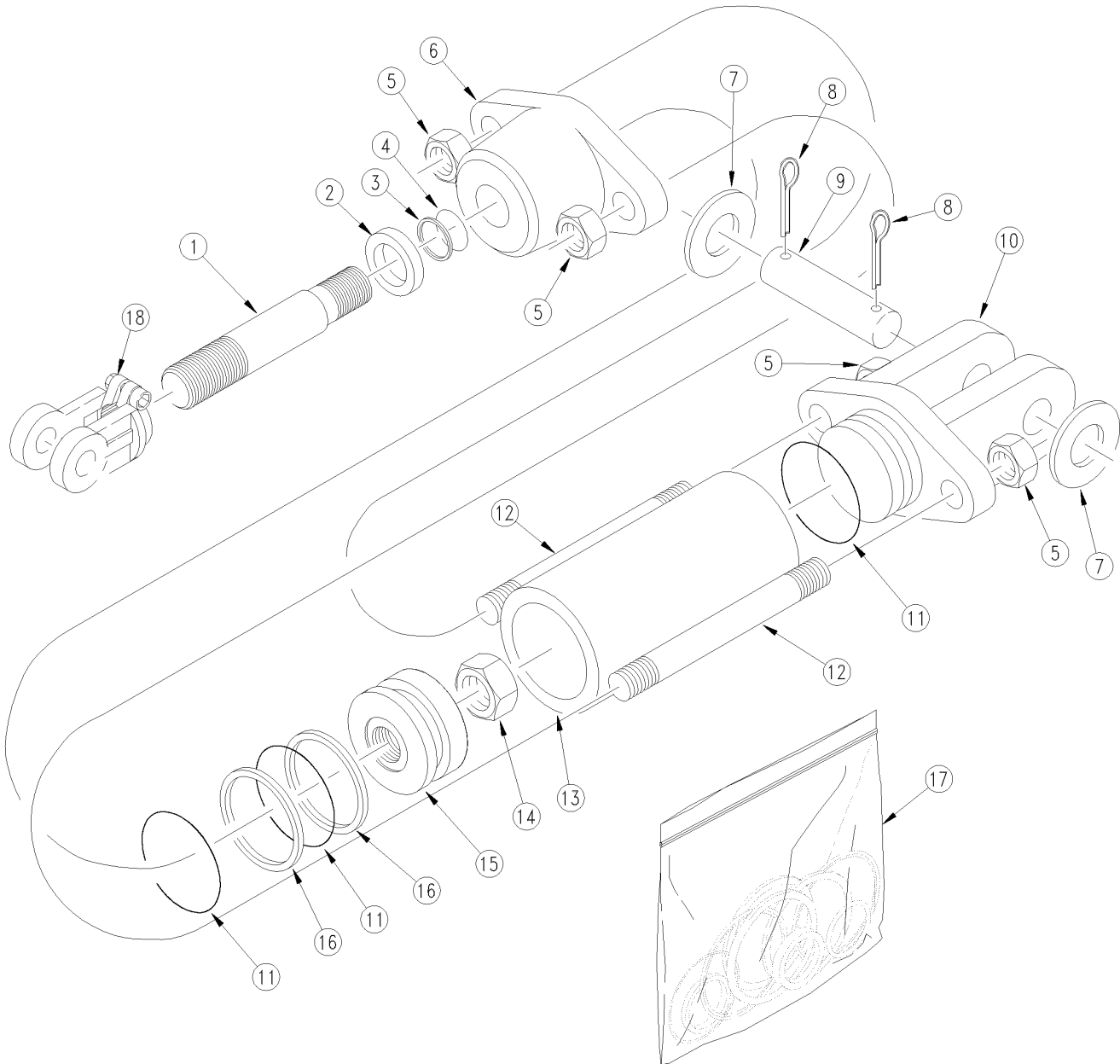
Hydraulic Cylinder (810-423C)

(Applies to 3S-5000, 3S-5000F, 3S-5000HD, 3S-5000HDF only)

Ref	Part No.	Part Description	Comments	Revision
	dwg18964	Image No.		
1.	1M7016	CLEVIS ROD MIDWAY		
2.	2M4532	MW ROD		
3.	3R1510	MW HEAD		
4.	4M4108	MW PISTON		
5.	5M4132	MW TUBE		
6.	6R1144	BASE MIDWAY		
7.	7M4332	MW TIE ROD		
8.		MW WIPER	Only found in seal kit 17	
9.		MW U-CUP	Only found in seal kit 17	
10.		MW O-RING	Only found in seal kit 17	
11.		MW BACKUP	Only found in seal kit 17	
12.		MW CROWN SEAL	Only found in seal kit 17	
13.	2A0024	MW PISTON NUT 1-14		
14.	2A0014	MW TIE ROD NUT		
15.	2A0012	RPBY 803-234C		
16.	2A0006	RPBY 802-023C		
17.	810-430C	SEAL KIT MW 3 CYL 5A4106		

Hydraulic Cylinder (810-903C)

(Applies to 3S-5000, 3S-5000F, 3S-5000HD, 3S-5000HDF only)



36419

Hydraulic Cylinder (810-903C)

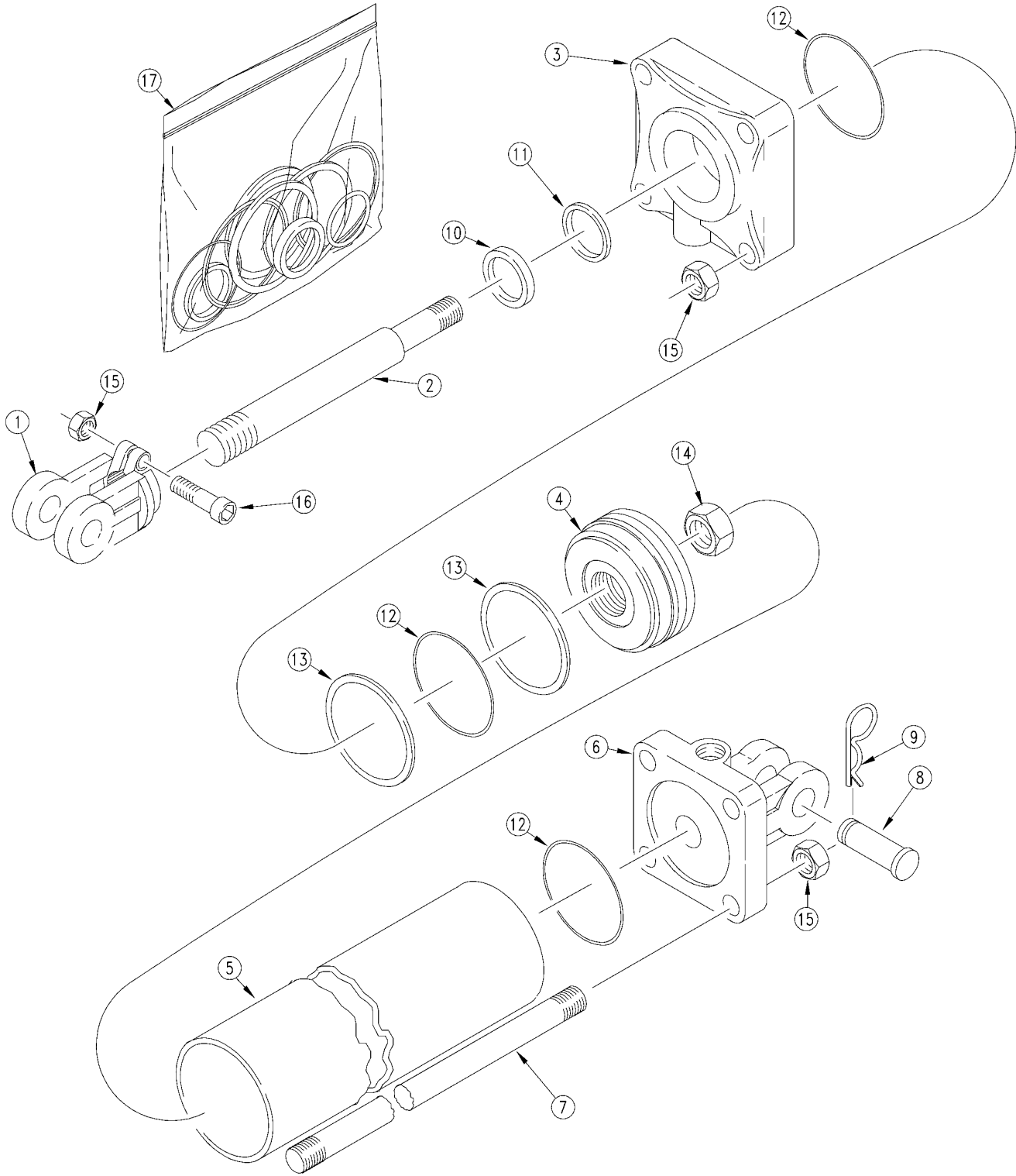
(Applies to 3S-5000, 3S-5000F, 3S-5000HD, 3S-5000HDF only)

Ref	Part No.	Part Description	Comments	Revision
	dwg36419	Image No.		
1.	2M1187NC	Rod		
2.	2A0030	Rod Wiper		
3.	2A0260	Back-Up		
4.	2A0049	O-Ring		
5.	2A0014	Tie Rod Nut		
6.	3M1108	Head		
7.	804-021C	WASHER FLAT 5/8 SAE PLT		
8.	2A0130	Cotter Pin		
9.	2A0202	Clevis Pin		
10.	6M1108	Base		
11.		O-Ring		
12.	7M1308	Tie Rod		
13.	5M1108	Tube		
14.	2A022	Piston Nut		
15.	4M1102	Piston		
16.	2A0263	Back-Up		
17.	810-249C	Seal Kit		
18.	1M1502-ADI	Clevis		

[Table of Contents](#) [Part Number Index](#)

Midway Hydraulic Cylinder (810-299C)

(Applies to 3S-5000, 3S-5000F, 3S-5000HD, 3S-5000HDF only)



15705

Midway Hydraulic Cylinder (810-299C)

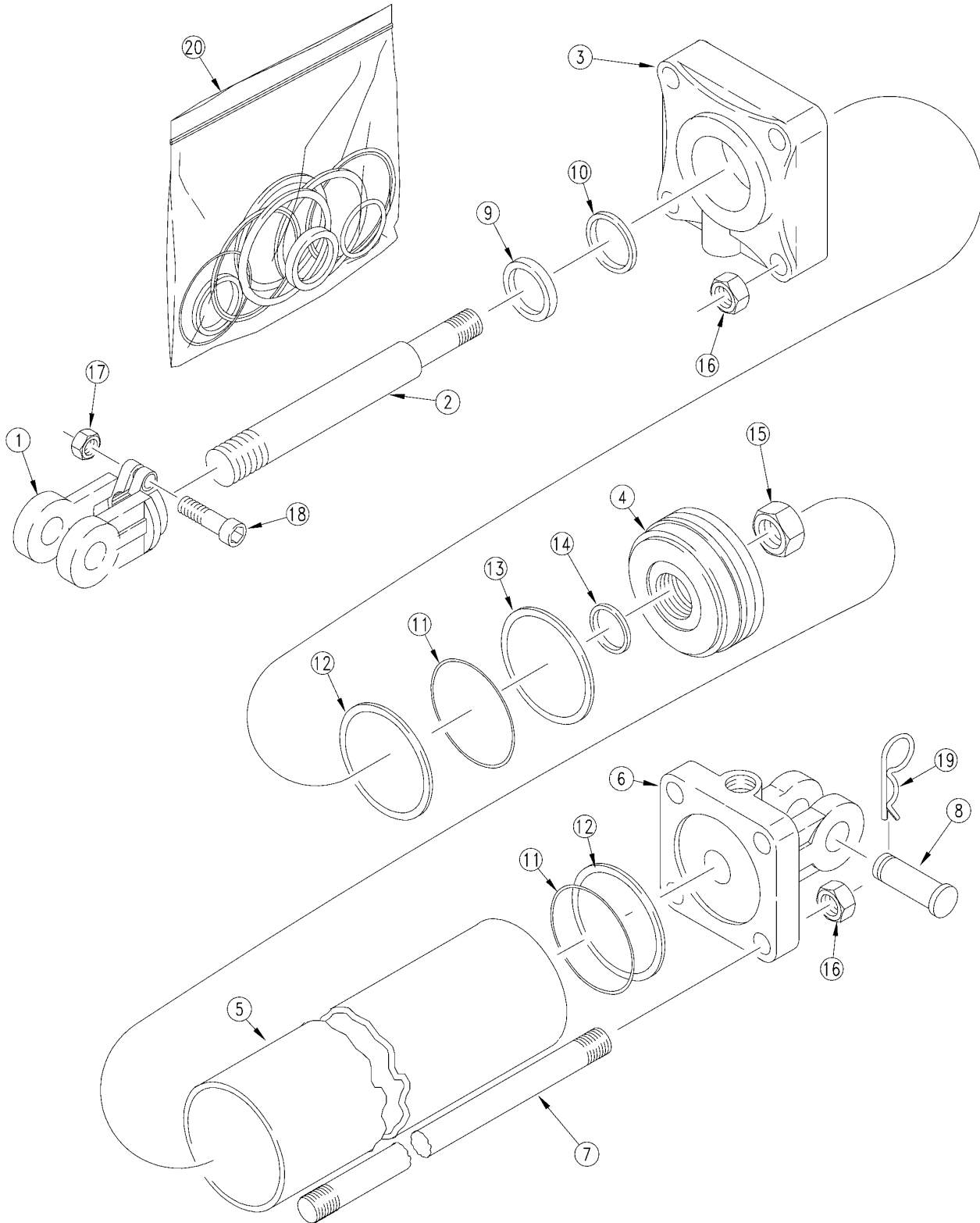
(Applies to 3S-5000, 3S-5000F, 3S-5000HD, 3S-5000HDF only)

Ref	Part No.	Part Description	Comments	Revision
	dwg15705	Image No.		
1.	1M6006	MW ROD CLEVIS		
2.	2M2316	MW ROD		
3.	3R0122	MW HEAD		
4.	4M2102	RPBY 4M2108		
5.	5M2116	MW TUBE		
6.	6R0032	BASE MIDWAY		
7.	7M2316	MW TIE ROD		
8.	2A0208	RPBY 805-124C		
9.	2A0132	MW PIN CLIP		
10.		MW WIPER	Only found in seal kit #17	
11.		MW U-CUP	Only found in seal kit #17	
12.		MW O-RING	Only found in seal kit #17	
13.		MW BACKUP	Only found in seal kit #17	
14.	2A0022	RPBY 803-114C		
15.	2A0012	RPBY 803-234C		
16.	2A0006	RPBY 802-023C		
17.	810-310C	SEAL KIT MW 5A2104		

[Table of Contents](#) [Part Number Index](#)

Midway Hydraulic Cylinder (810-805C)

(Applies to 3S-5000, 3S-5000F, 3S-5000HD, 3S-5000HDF only)



34350

Midway Hydraulic Cylinder (810-805C)

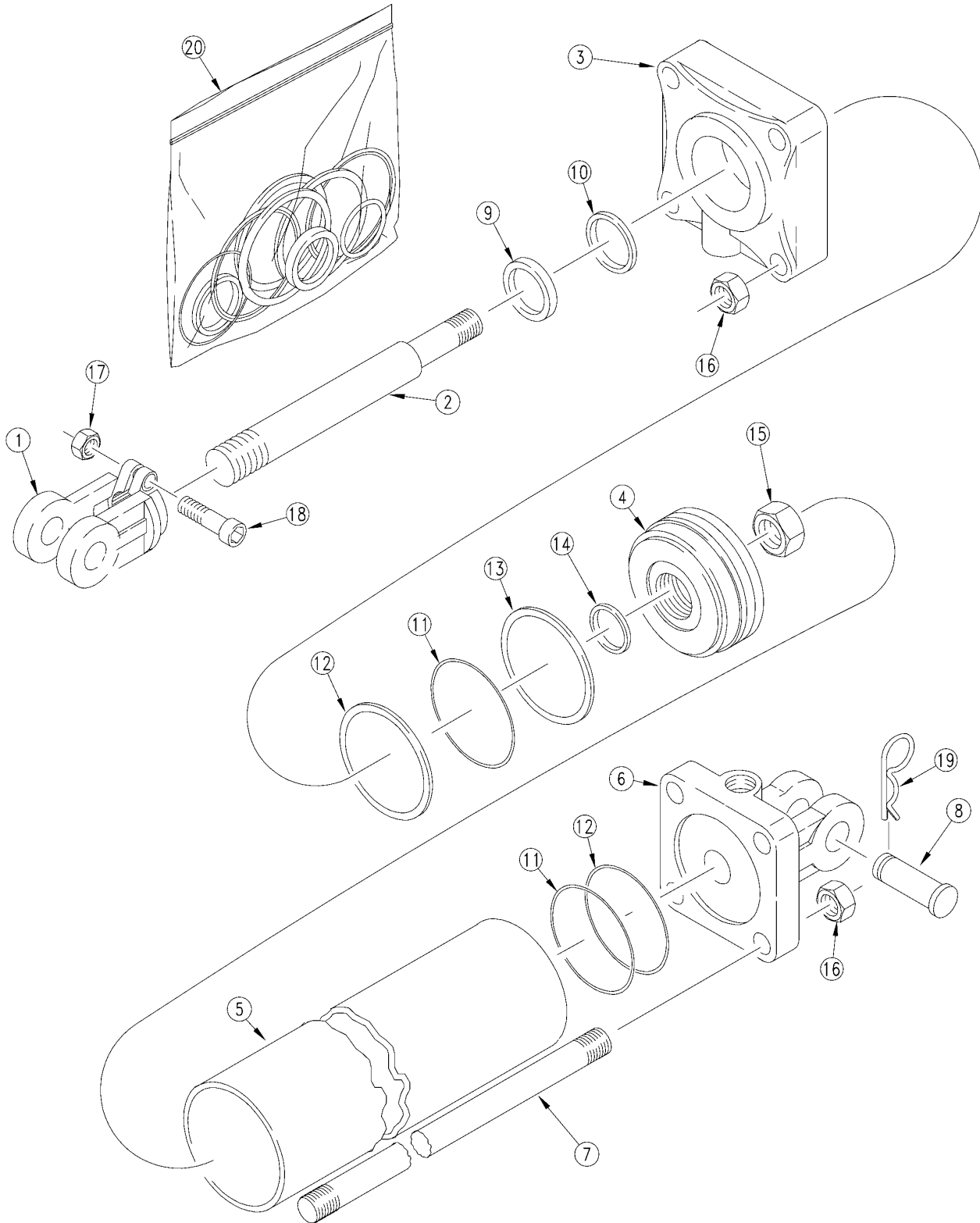
(Applies to 3S-5000, 3S-5000F, 3S-5000HD, 3S-5000HDF only)

Ref	Part No.	Part Description	Comments	Revision
	dwg34350	Image No.		
1.	1M1028-ADI	MW CLEVIS		
2.	2M8834NC	MW ROD		
3.	3R9812	MW HEAD		
4.	4M8108	MW PISTON		
5.	5M8138	MW TUBE		
6.	6R9170-ADI	MIDWAY ADI BASE		
7.	7M8338	MW TIE ROD		
8.	2A0418	MW CLEVIS PIN		
9.		MW ROD WIPER	Found in item 20	
10.		MW U-CUP	Found in item 20	
11.		O-RING	Found in item 20	
12.		MW BACK UP	Found in item 20	
13.		CROWN SEAL MIDWAY	Found in item 20	
14.		SEAL KIT MW 4.5 CYL 5A7116	Found in item 20	
15.	2A0025	MW PISTON NUT 1 1/4"-12 UNF		
16.	803-257C	NUT HEX 3/4-16 PLAIN		
17.	803-234C	NUT HEX 3/8-16 PLAIN		
18.	2A0008	MW CAPSCREW		
19.	805-021C	PIN COTTER 1/4 X 2 PLT		
20.	810-809C	SEAL KIT FOR 810-805C		

[Table of Contents](#) [Part Number Index](#)

Midway Hydraulic Cylinder (810-806C)

(Applies to 3S-5000, 3S-5000F, 3S-5000HD, 3S-5000HDF only)



34351

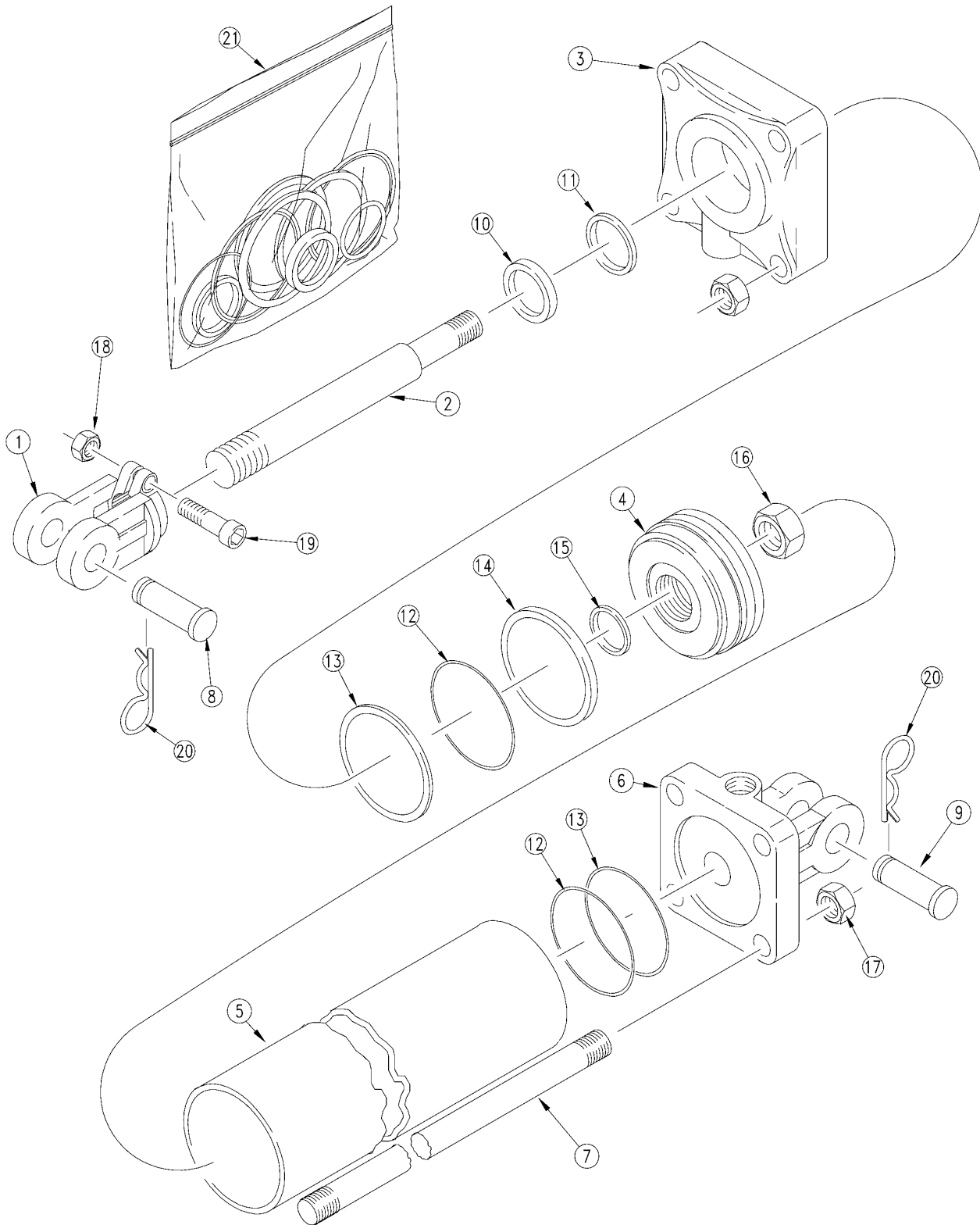
Midway Hydraulic Cylinder (810-806C)

(Applies to 3S-5000, 3S-5000F, 3S-5000HD, 3S-5000HDF only)

Ref	Part No.	Part Description	Comments	Revision
	dwg34351	Image No.		
1.	1M7022-ADI	MW ROD CLEVIS 1.25PN 1.5-12THD		
2.	2S7576NC	MW ROD		
3.	3R7412	MW HEAD		
4.	4M7110	MW PISTON		
5.	5M7518	MW TUBE		
6.	6R7190-ADI	MIDWAY ADI BASE		
7.	7M7318	MIDWAY TIE ROD F/ 4 1/4 X 10		
8.	2A0217	MIDWAY CLEVIS PIN		
9.		MW WIPER	Found in item 20	
10.		MW U-CUP	Found in item 20	
11.		SEAL KIT MW 4.5 CYL 5A7116	Found in item 20	
12.		SEAL KIT MW 4.5 CYL 5A7116	Found in item 20	
13.		SEAL KIT MW 4.5 CYL 5A7116	Found in item 20	
14.		SEAL KIT MW 4.5 CYL 5A7116	Found in item 20	
15.	2A0025	MW PISTON NUT 1 1/4"-12 UNF		
16.	803-257C	NUT HEX 3/4-16 PLAIN		
17.	803-234C	NUT HEX 3/8-16 PLAIN		
18.	802-023C	HHCS 3/8-16X1 3/4 GR5		
19.	2A0134	MW COTTER PIN		
20.	810-250C	SEAL KIT MW 5A7114		

Midway Hydraulic Cylinder (810-807C)

(Applies to 3S-5000, 3S-5000F, 3S-5000HD, 3S-5000HDF only)



34352

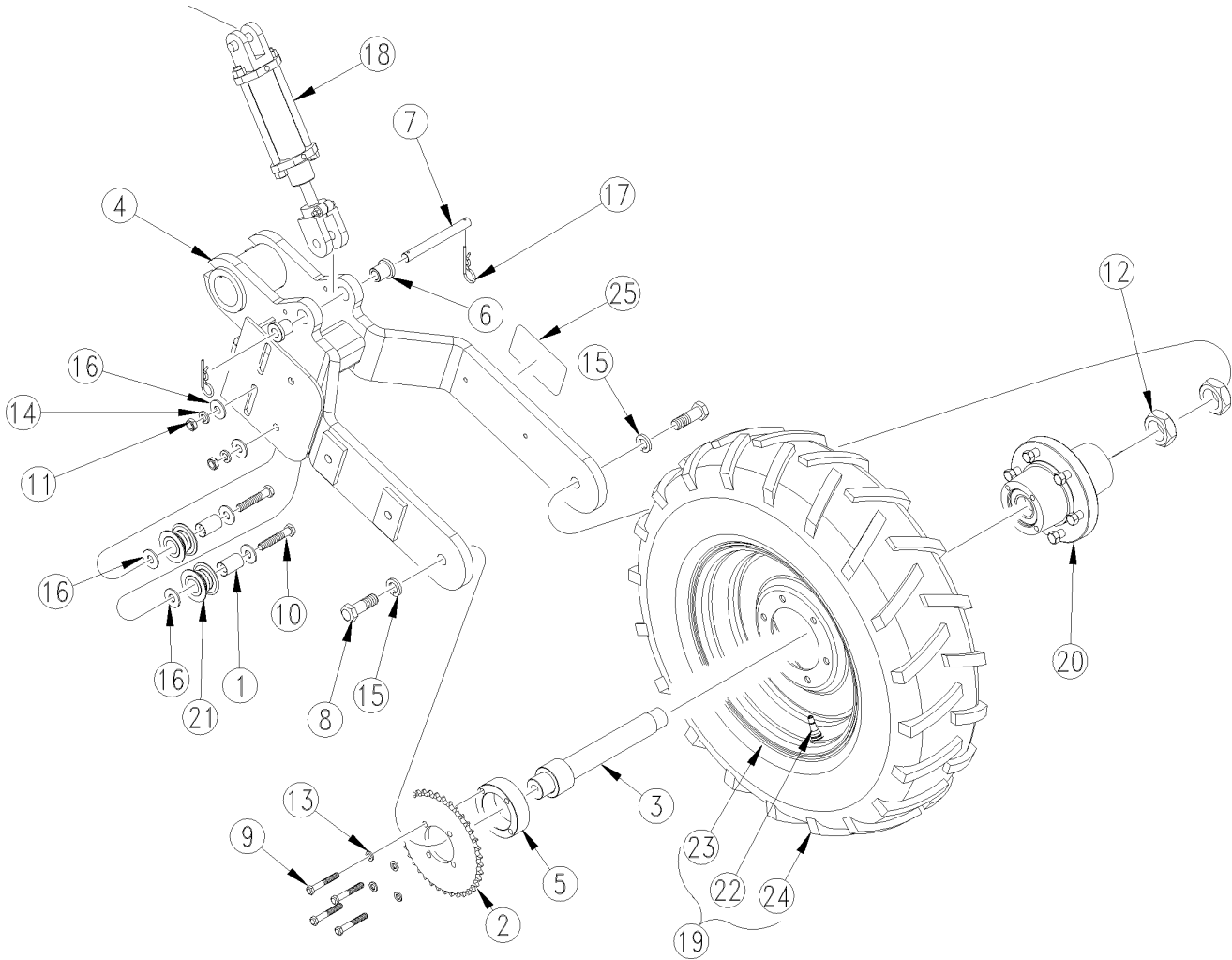
Midway Hydraulic Cylinder (810-807C)

(Applies to 3S-5000, 3S-5000F, 3S-5000HD, 3S-5000HDF only)

Ref	Part No.	Part Description	Comments	Revision
	dwg34352	Image No.		
1.	1M7022-ADI	MW ROD CLEVIS 1.25PN 1.5-12THD		
2.	2S8620NC	MW ROD		
3.	3R8612	HEAD MIDWAY		
4.	4M8508	MW PISTON		
5.	5M8524	MW TUBE		
6.	6R8168-ADI	MIDWAY ADI BASE		
7.	7M8324	TIE ROD MIDWAY		
8.	2A0216	MIDWAY CLEVIS PIN		
9.	2A0217	MIDWAY CLEVIS PIN		
10.		MW WIPER	Found in item 21	
11.		SEAL KIT MW 4.5 CYL 5A7116	Found in item 21	
12.		O-RING MIDWAY	Found in item 21	
13.		MW BACK UP	Found in item 21	
14.		CROWN SEAL MIDWAY	Found in item 21	
15.		SEAL KIT MW 4.5 CYL 5A7116	Found in item 21	
16.	2A0025	MW PISTON NUT 1 1/4"-12 UNF		
17.	803-257C	NUT HEX 3/4-16 PLAIN		
18.	803-234C	NUT HEX 3/8-16 PLAIN		
19.	802-023C	HHCS 3/8-16X1 3/4 GR5		
20.	2A0134	MW COTTER PIN		
21.	810-810C	SEAL KIT FOR 810-807C		

Liquid Fertilizer Lower Ground Drive

(Applies to 3S-5000, 3S-5000F, 3S-5000HD, 3S-5000HDF only)



36292

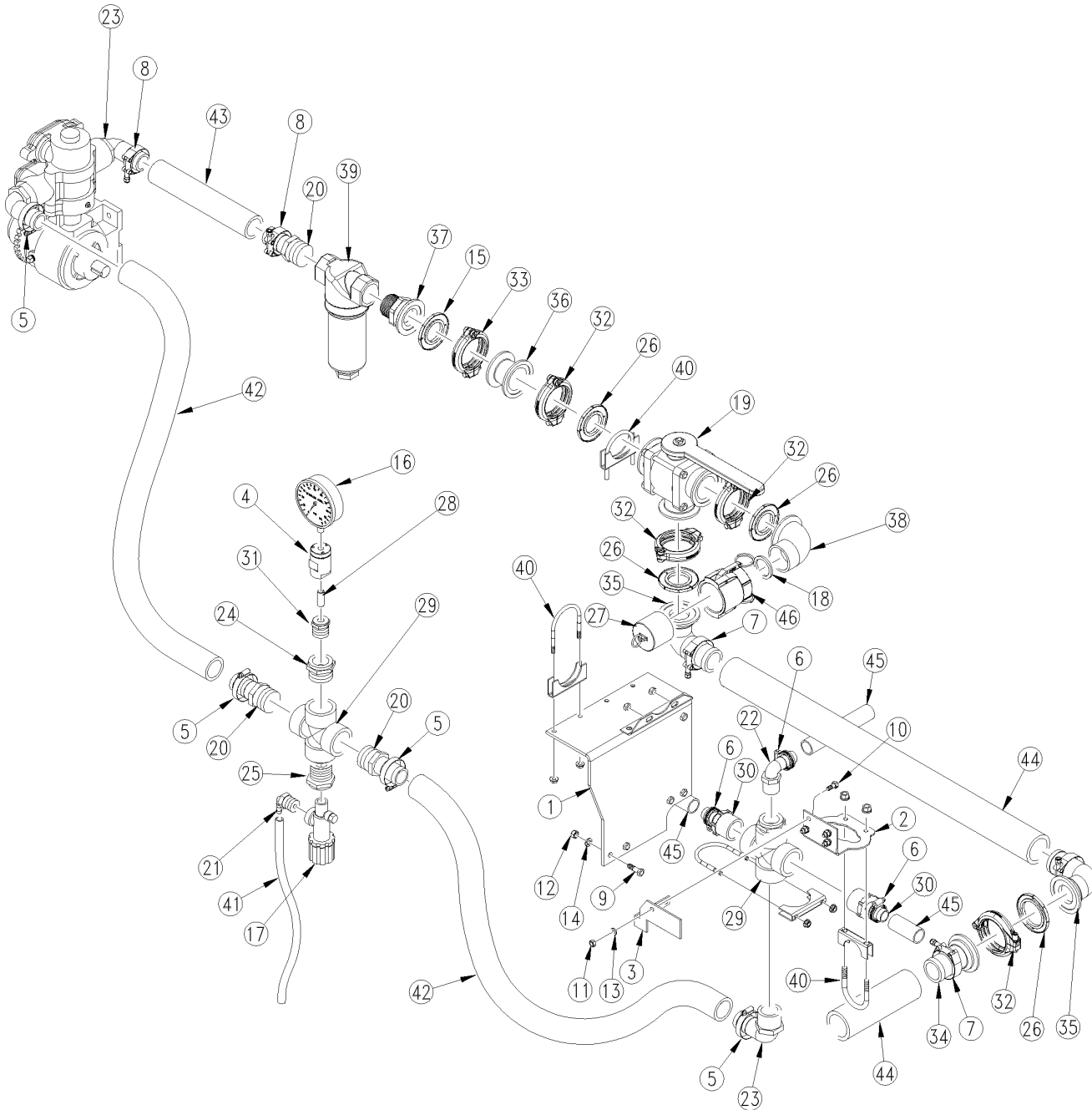
Liquid Fertilizer Lower Ground Drive

(Applies to 3S-5000, 3S-5000F, 3S-5000HD, 3S-5000HDF only)

Ref	Part No.	Part Description	Comments	Revision
	dwg36292	Image No.		
1.	120-305D	TUBE RND 1 OD X 7/32W X 1.56		
2.	401-993D	SPKT 50A38 2.75 BORE		
3.	402-203H	SPINDLE GW WELDMENT		
4.	402-205H	YOKE GA WHL WLMT GRND DRV RH		
5.	411-025D	SPACER GAUGE WHL 1 3/16		
6.	417-191D	PIN BUSHING 1 OD 5/8 ID		
7.	417-192D	PIN 5/8X5.25 USABLE		
8.	802-065C	HHCS 3/4-10X2 1/4 GR5		
9.	802-114C	HHCS 3/8-16X2 1/2 GR5		
10.	802-226C	HHCS 1/2-13X2 3/4 GR5		
11.	803-036C	NUT HEX JAM 1/2-13 PLT		
12.	803-210C	NUT HEX JAM 1 1/2-12 PLT		
13.	804-013C	WASHER LOCK SPRING 3/8 PLT		
14.	804-015C	WASHER LOCK SPRING 1/2 PLT		
15.	804-023C	WASHER LOCK SPRING 3/4 PLT		
16.	804-113C	WASHER FLAT 1/2 USS HARD PLT		
17.	805-032C	PIN HAIR COTTER .148 WIRE		
18.	810-903C	CYL 1.5X4X.75 ROD W/CLEVIS		
19.	814-320C	TIRE/WHL 7.60-15 LUG RIGHT		
20.	815-200C	HUB ASSY 6BOLT 6"BC 4.62PILOT		
21.	817-456C	IDLER SPOOL #50 2.38X1.01X1.31		
22.	816-035C	VALVE STEM TR415X.625X1 1/4 LG		
23.	814-315C	WHEEL 15 DIA X 6 WIDE X 6 BOLT		
24.	814-319C	TIRE 7.6-145 6 PLY LUG		
25.	858-781C	DECAL CAUTION TIRE 40PSI/120		

Liquid Fertilizer Plumbing

(Applies to 3S-5000, 3S-5000F, 3S-5000HD, 3S-5000HDF only)



36290

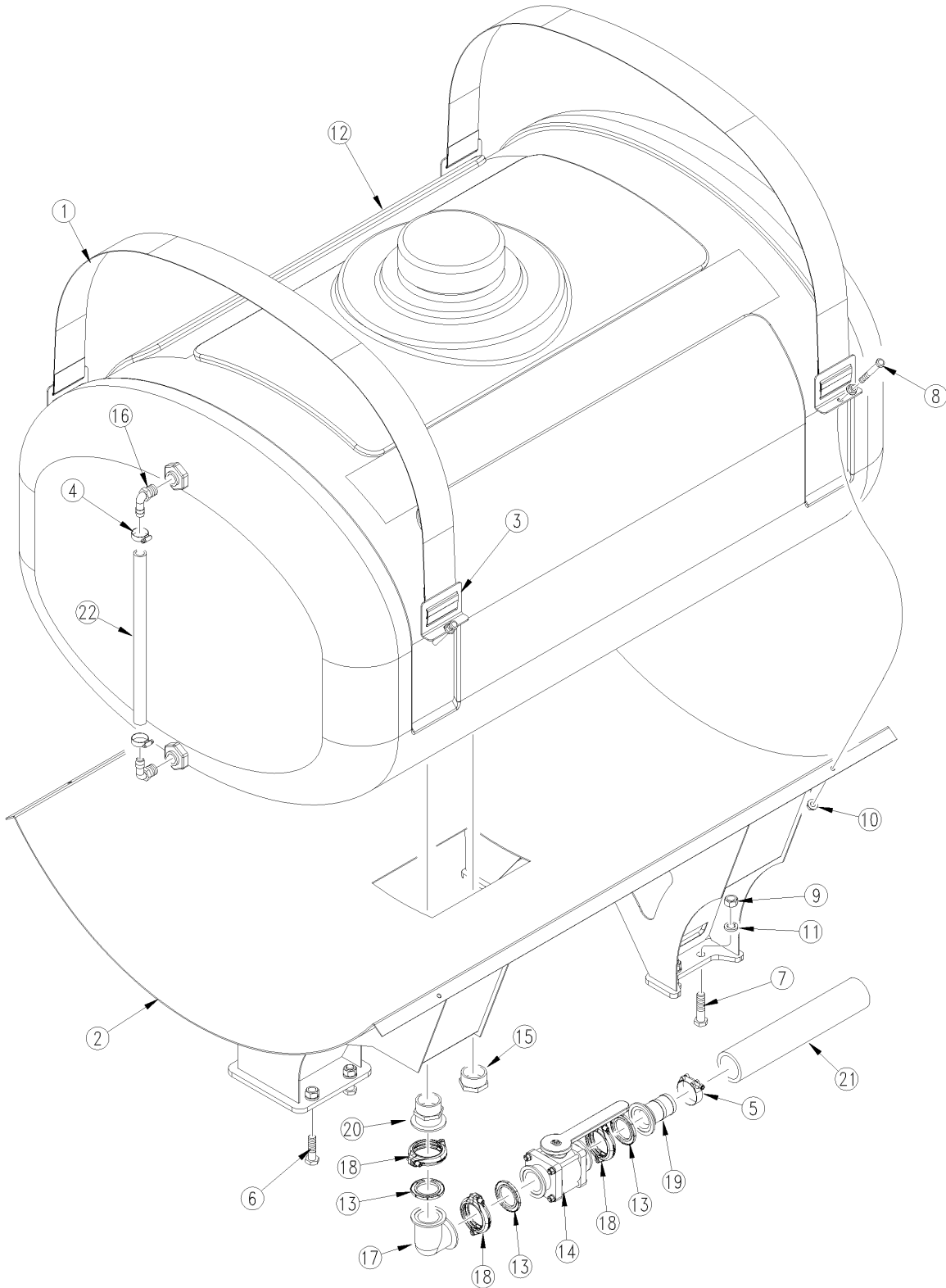
Liquid Fertilizer Plumbing

(Applies to 3S-5000, 3S-5000F, 3S-5000HD, 3S-5000HDF only)

Ref	Part No.	Part Description	Comments	Revision
	dwg36290	Image No.		
1.	417-177H	3S-5000 LIQUID PLBG BRACKET		
2.	417-208D	PLUMBING BRACKET 3S-5000 LIQ F		
3.	417-209D	PLMBG BRKT BOOM 3S-5000 LIQ F		
4.	507-034V	GAUGE PROTECTOR ASSY		
5.	800-144C	CLAMP WRM DRV #40 SS (2.06-3)		
6.	800-124C	CLAMP WRM DRV #24 SS (1.06-2)		
7.	800-207C	CLAMP T-BOLT STRAP (2.18-2.50)		
8.	800-208C	CLAMP T-BOLT STRAP (1.81-2.06)		
9.	802-079C	HHCS 3/8-16X1 1/4 GR5		
10.	802-159C	HHCS 5/16-18X1 GR5		
11.	803-008C	NUT HEX 5/16-18 PLT		
12.	803-014C	NUT HEX 3/8-16 PLT		
13.	804-009C	WASHER LOCK SPRING 5/16 PLT		
14.	804-013C	WASHER LOCK SPRING 3/8 PLT		
15.	830-462C	GASKET 1 1/2 FLANGE HYPRO		
16.	829-104C	GAUGE 100 PSI 4IN STAINLESS ST		
17.	829-105C	VALVE RELIEF 0-150 PSI POLYP		
18.	829-107C	2" VALVE GASKET		
19.	829-116C	VALVE 2FP MANIFOLD 3 WAY BALL		
20.	830-094C	AD 1 1/2MNPT X 1 1/2HB POLYP		
21.	830-121C	EL 3/4MNPT X 3/8HB POLYPROP		
22.	830-127C	EL 1MNPT X 1HB POLYPROP		
23.	830-133C	EL 1 1/2MNPT X 1 1/2HB POLYP		
24.	830-145C	AD 1 1/2MNPT X 1FNPT POLYPROP		
25.	830-161C	AD 1 1/2MNPT X 3/4FNPT POLYP		
26.	830-463C	GASKET 2 FLANGE HYPRO		
27.	830-186C	PL 2MCL POLY-GLASS		
28.	830-192C	AD 1/4MNPT CLOSE X 7/8 SS		
29.	830-236C	CR 1 1/2FNPT		
30.	830-254C	AD 1 1/2MNPT X 1HB POLYPROP		
31.	830-258C	AD 1MNPT X 1/4FNPT POLYPROP		
32.	830-460C	CLAMP 2 FLANGE HYPRO		
33.	830-459C	CLAMP 1 1/2 FLANGE HYPRO		
34.	830-366C	AD 2FP FLANGE X 2HB POLY		
35.	830-367C	EL 2FP FLANGE X 2HB POLY		
36.	830-390C	AD 2FP FLG X 2SP FLG POLY		
37.	830-324C	AD 1 1/2 FLG X 1 1/2 MNPT POLY		
38.	830-441C	EL 2MNPT X 2FP SWP		
39.	831-029C	STRAINER BANJO LST150-80 MESH		
40.	890-522C	MUFFLER CLAMP 2.50 SIZE		
41.	990-080R	HOSE 3/8 ID 150PSI EPDM		
42.	990-181R	HOSE 1 1/2 ID 250PSI EPDM		
43.	990-079R	HOSE 1 1/2ID EPDM SUCTION HOSE		
44.	990-124R	HOSE 2 ID EPDM SUCTION		
45.	990-082R	HOSE 1 ID 200PSI EPDM		
46.	830-174C	AD 2FNPT X FCL POLYPROP		

Liquid Fertilizer Tank

(Applies to 3S-5000, 3S-5000F, 3S-5000HD, 3S-5000HDF only)



36620

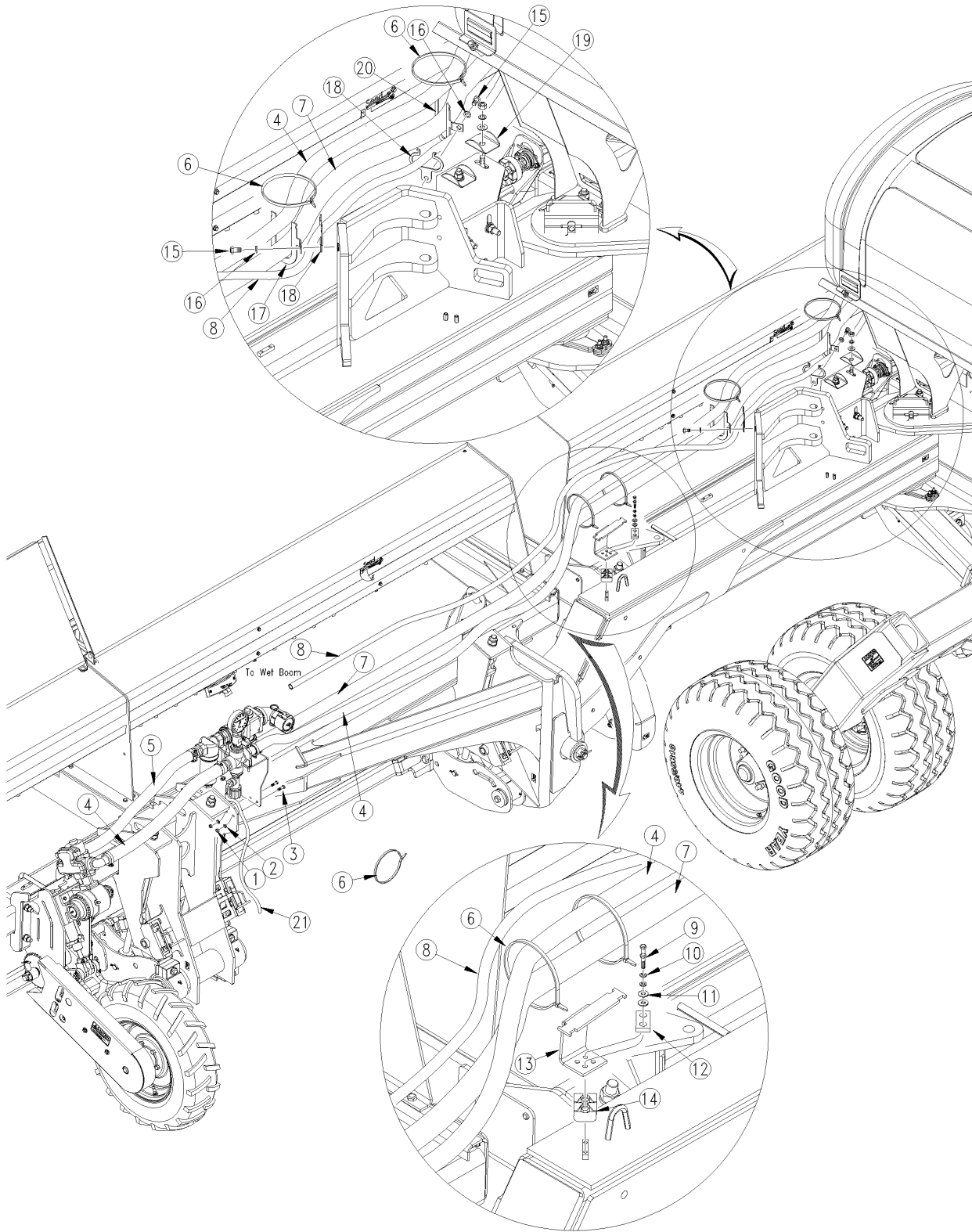
Liquid Fertilizer Tank

(Applies to 3S-5000, 3S-5000F, 3S-5000HD, 3S-5000HDF only)

Ref	Part No.	Part Description	Comments	Revision
	dwg36620	Image No.		
1.	407-228D	4 NYLON STRAP FOR 400 GAL TANK		
2.	417-137H	400 GALLON FERT TANK SADDLE		
3.	503-158D	TANK STRAP ATTACHMENT PLATE		
4.	800-127C	CLAMP WRM DRV #12 SS(.56-1.25)		
5.	800-207C	CLAMP T-BOLT STRAP (2.18-2.50)		
6.	802-212C	HHCS 3/4-10X2 1/2 GR5		
7.	802-383C	HHCS 3/4-10X3 GR5		
8.	802-424C	HHCS 1/2-13X4 FT4D		
9.	803-027C	NUT HEX 3/4-10 PLT		
10.	803-193C	NUT HEX FLANGE 1/2-13 GR G PLT		
11.	804-023C	WASHER LOCK SPRING 3/4 PLT		
12.	817-745C	400 GALLON TANK - ELLIPTICAL		
13.	830-463C	GASKET 2 FLANGE HYPRO		
14.	829-115C	VALVE 2 MANIFOLD BALL POLY		
15.	830-025C	PL 2MNPT POLYPROP		
16.	830-123C	EL 3/4MNPT X 3/4HB POLYPROP		
17.	830-333C	EL 2FP FLANGE POLY		
18.	830-460C	CLAMP 2 FLANGE HYPRO		
19.	830-366C	AD 2FP FLANGE X 2HB POLY		
20.	830-373C	AD 2FP FLANGE X 2MNPT POLY		
21.	990-124R	HOSE 2 ID EPDM SUCTION		
22.	990-078R	HOSE 3/4ID X 1/8 WL CLEAR PVC		

Liquid Fertilizer Hose Routing

(Applies to 3S-5000, 3S-5000F, 3S-5000HD, 3S-5000HDF only)



38908

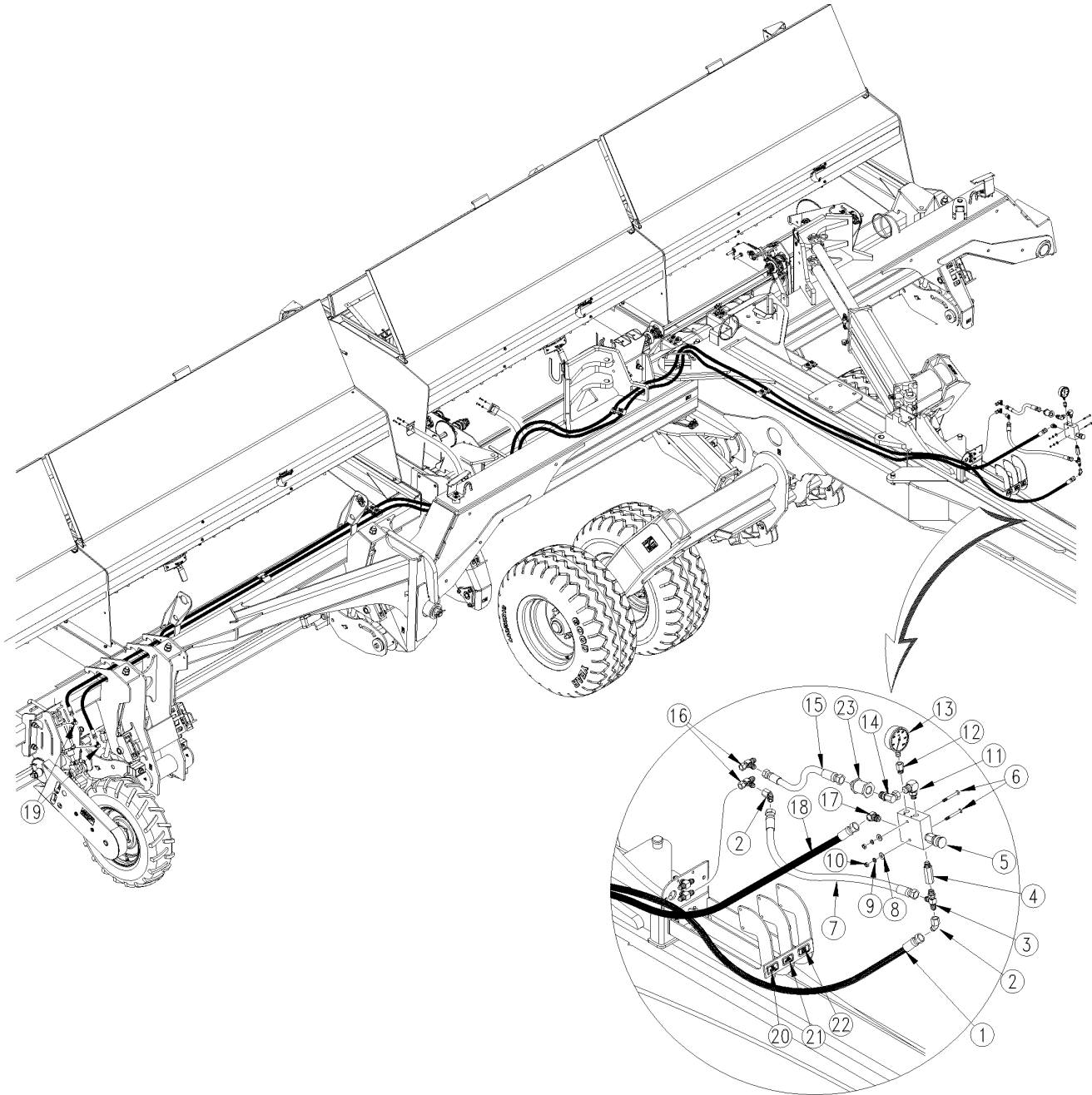
Liquid Fertilizer Hose Routing

(Applies to 3S-5000, 3S-5000F, 3S-5000HD, 3S-5000HDF only)

Ref	Part No.	Part Description	Comments	Revision
	dwg38908	Image No.		
1.	803-014C	NUT HEX 3/8-16 PLT		
2.	804-013C	WASHER LOCK SPRING 3/8 PLT		
3.	802-079C	HHCS 3/8-16X1 1/4 GR5		
4.	990-181R	HOSE 1 1/2 ID 250PSI EPDM		
5.	990-079R	HOSE 1 1/2ID EPDM SUCTION HOSE		
6.	800-082C	CABLE TIE .31X21.5 6DIA 120LB		
7.	990-124R	HOSE 2 ID EPDM SUCTION		
8.	990-082R	HOSE 1 ID 200PSI EPDM		
9.	802-010C	HHCS 5/16-18X1 1/4 GR5		
10.	804-009C	WASHER LOCK SPRING 5/16 PLT		
11.	804-010C	WASHER FLAT 5/16 USS PLT		
12.	196-885D	HOSE CLAMP HOLDDOWN		
13.	417-215D	BRKT LIQ FERT HOSE GUIDE		
14.	196-146D	3-HOSE CLAMP BRACKET		
15.	802-258C	HHCS 1/2-13X1 GR5		
16.	804-015C	WASHER LOCK SPRING 1/2 PLT		
17.	417-216D	HOSE GUIDE		
18.	417-218D	HOSE GUIDE 1 1/2 FLEX		
19.	417-717D	HOSE GUIDE BOLT SHIELD		
20.	417-217D	HOSE GUIDE		
21.	990-080R	HOSE 3/8 ID 150PSI EPDM		

Liquid Fertilizer Hydraulics

(Applies to 3S-5000, 3S-5000F, 3S-5000HD, 3S-5000HDF only)



38905

Liquid Fertilizer Hydraulics

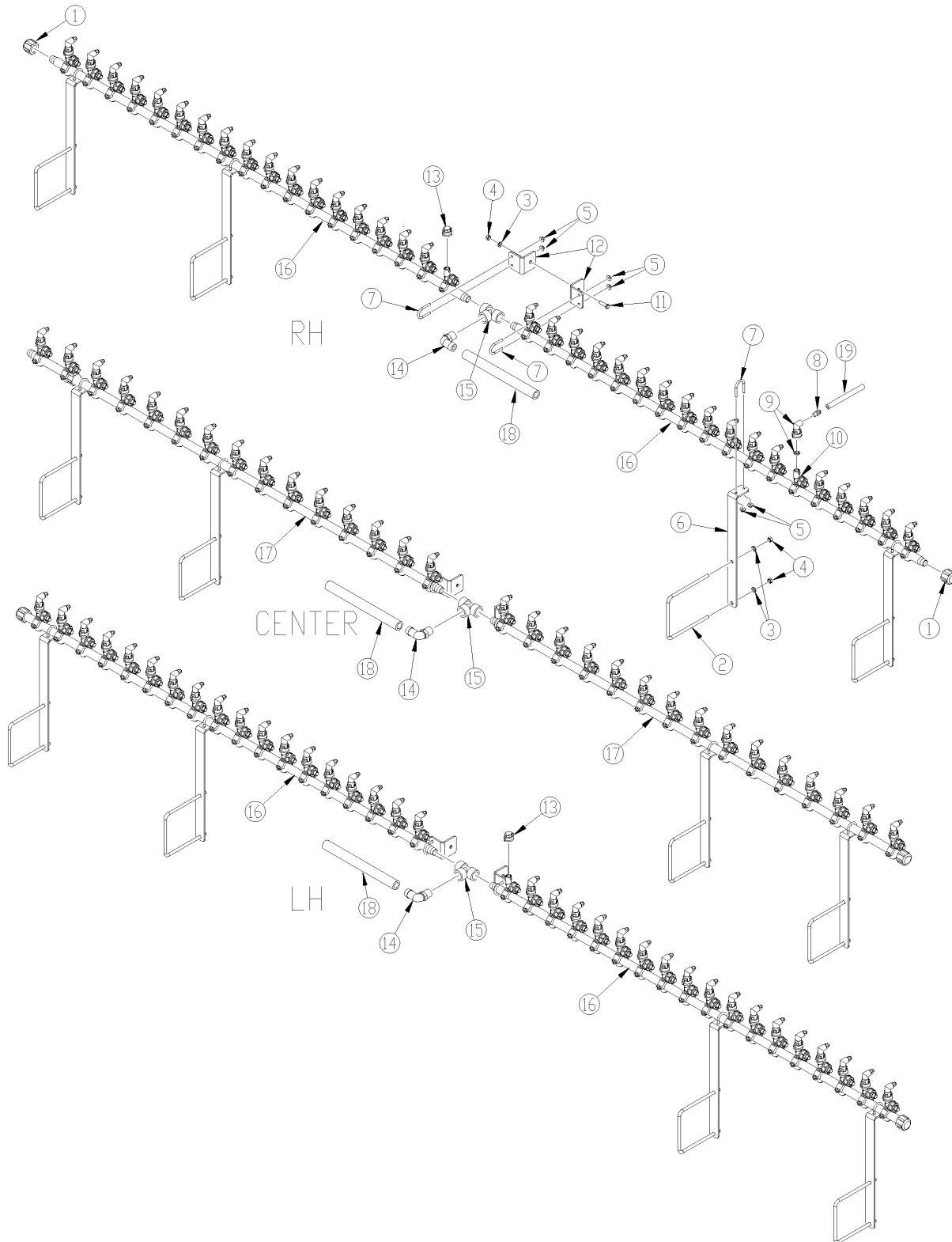
(Applies to 3S-5000, 3S-5000F, 3S-5000HD, 3S-5000HDF only)

Ref	Part No.	Part Description	Comments	Revision
	dwg38905	Image No.		
1.	861-052C	HH1/4R2 362 9/16FJIC		
2.	811-397C	EL 45 9/16MJIC 9/16FJIC		
3.	811-064C	TE 9/16MJIC 9/16MJIC 9/16MORB		
4.	851-310C	VALVE INLINE CHECK SAE 6		
5.	810-301C	VALVE PRESS REDUCING W/CHECK		
6.	802-551C	HHCS 1/4-20X2 1/4 GR5		
7.	841-181C	HH3/8R2 018 9/16FJIC		
8.	804-075C	WASHER FLAT 1/4 USS PLT		
9.	804-006C	WASHER LOCK SPRING 1/4 PLT		
10.	803-006C	NUT HEX 1/4-20 PLT		
11.	811-216C	EL 3/4MJIC 9/16MORB		
12.	811-677C	AD 9/16MORB 1/4FNPT		
13.	810-300C	PRESSURE GAUGE 3000 PSI		
14.	841-077C	EL 3/4FJIC 3/4MORB		
15.	811-286C	HH3/8R2 020 3/4FJIC 9/16FJIC		
16.	811-061C	TE 9/16MJIC 9/16MJIC 9/16FJIC		
17.	811-416C	EL 45 9/16MJIC 9/16MORB		
18.	861-053C	HH1/4R2 356 9/16FJIC		
19.	811-065C	EL 9/16MJIC 9/16MORB		
20.	818-710C	DECAL WING SECTIONS		
21.	858-841C	DECAL LIQUID FERT.		
22.	818-664C	DECAL CENTER SECTION		
23.	810-554C	FILTER INLINE 3/4FORB 3/4MJIC		

[Table of Contents](#) [Part Number Index](#)

Wetboom 6" Spacing

(Applies to 3S-5000, 3S-5000F, 3S-5000HD, 3S-5000HDF only)



38590

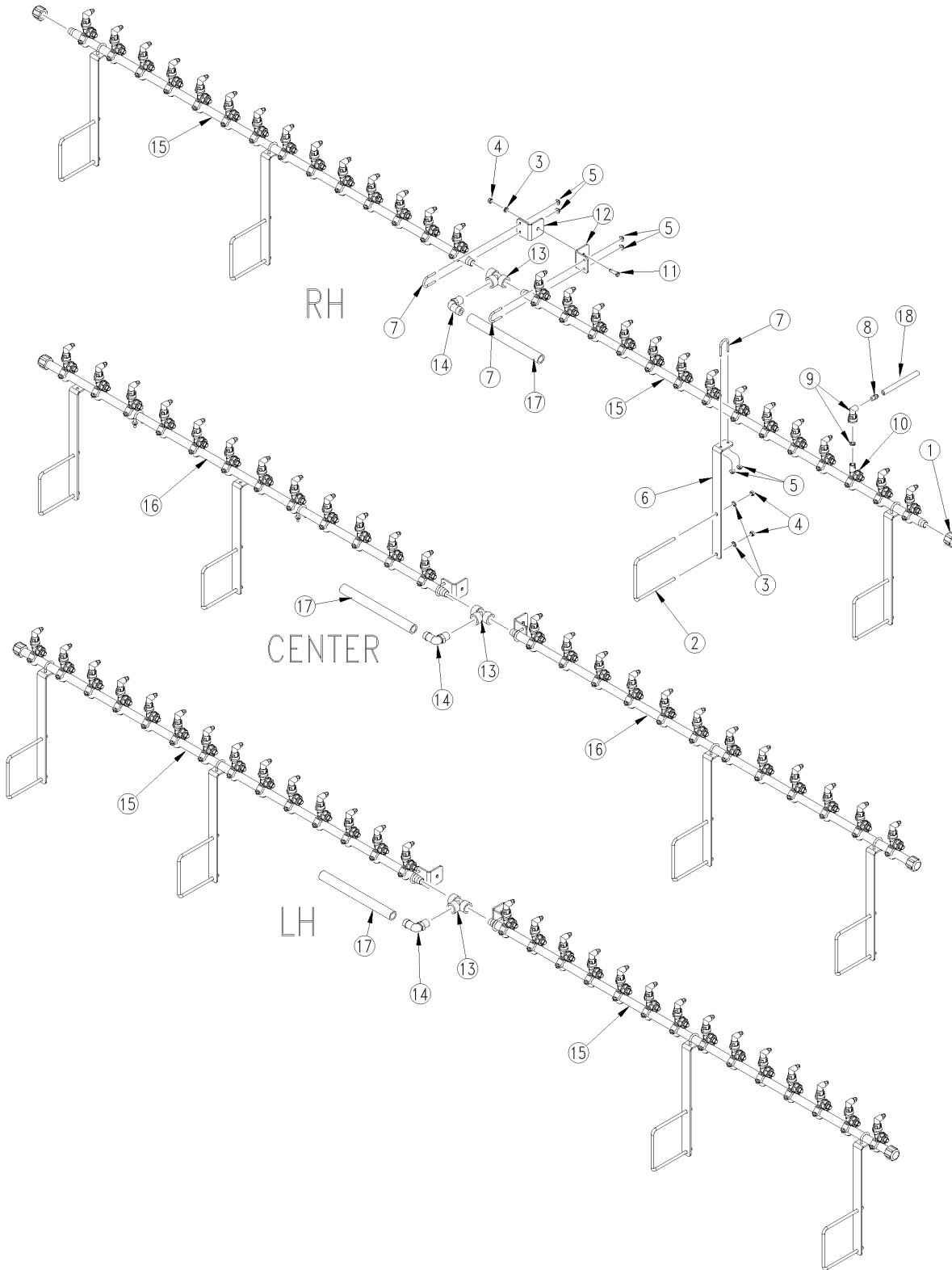
Wetboom 6" Spacing

(Applies to 3S-5000, 3S-5000F, 3S-5000HD, 3S-5000HDF only)

Ref	Part No.	Part Description	Comments	Revision
	dwg38590	Image No.		
1.	830-061C	CA 3/4FNPT POLYPROP		
2.	806-051C	U-BOLT 3/8-16 X 6 1/32 X 7		
3.	804-013C	WASHER LOCK SPRING 3/8 PLT		
4.	803-014C	NUT HEX 3/8-16 PLT		
5.	803-088C	NUT HEX LOCK 1/4-20 FLG		
6.	417-212D	MANIFOLD BRACKET		
7.	806-152C	U-BOLT 1/4-20 X 1.125 X 2 RND		
8.	800-367C	AD PUSH 1/4TUBEX1/4MNPT		
9.	832-051C	NOZZLE CAP QUICK X 90X1/4 FNPT		
10.	829-089C	NOZZLE BODY 3/4 WET BOOM CLAMP		
11.	802-079C	HHCS 3/8-16X1 1/4 GR5		
12.	417-213D	MANIFOLD CENTER BRACKET		
13.	832-042C	NOZZLE SHUT OFF CAP W/ GASKET		
14.	830-124C	EL 3/4MNPT X 1HB POLYPROP		
15.	830-028C	TEE 3/4FNPT POLYPROP		
16.	417-198D	MANIFOLD 50FT 18 HOLE 6" WING		
17.	417-199D	MANIFOLD 50FT 15 HOLE 6" CTR		
18.	990-082R	HOSE 1 ID 200PSI EPDM		
19.	990-109R	TUBE NYLON 1/4OD X 062WL		

Wetboom 7.5" Spacing

(Applies to 3S-5000, 3S-5000F, 3S-5000HD, 3S-5000HDF only)



38610

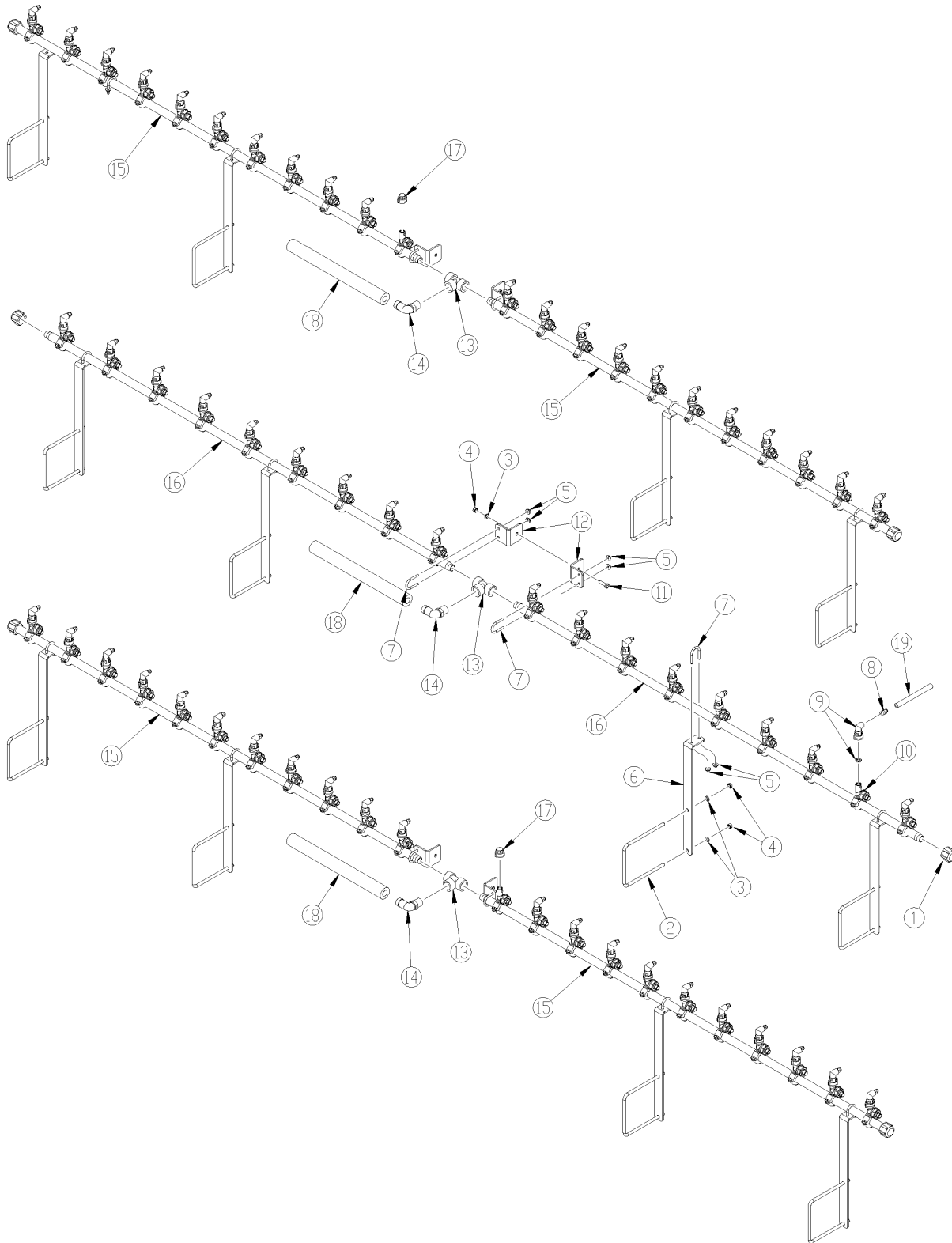
Wetboom 7.5" Spacing

(Applies to 3S-5000, 3S-5000F, 3S-5000HD, 3S-5000HDF only)

Ref	Part No.	Part Description	Comments	Revision
	dwg38610	Image No.		
1.	830-061C	CA 3/4FNPT POLYPROP		
2.	806-051C	U-BOLT 3/8-16 X 6 1/32 X 7		
3.	804-013C	WASHER LOCK SPRING 3/8 PLT		
4.	803-014C	NUT HEX 3/8-16 PLT		
5.	803-088C	NUT HEX LOCK 1/4-20 FLG		
6.	417-212D	MANIFOLD BRACKET		
7.	806-152C	U-BOLT 1/4-20 X 1.125 X 2 RND		
8.	800-367C	AD PUSH 1/4TUBEX1/4MNPT		
9.	832-051C	NOZZLE CAP QUICK X 90X1/4 FNPT		
10.	829-089C	NOZZLE BODY 3/4 WET BOOM CLAMP		
11.	802-079C	HHCS 3/8-16X1 1/4 GR5		
12.	417-213D	MANIFOLD CENTER BRACKET		
13.	830-028C	TEE 3/4FNPT POLYPROP		
14.	830-124C	EL 3/4MNPT X 1HB POLYPROP		
15.	417-200D	MANIFOLD 50FT 14 HOLE 7.5 WING		
16.	417-201D	MANIFOLD 50FT 12 HOLE 7.5" CTR		
17.	990-082R	HOSE 1 ID 200PSI EPDM		
18.	990-109R	TUBE NYLON 1/4OD X 062WL		

Wetboom 10" Spacing

(Applies to 3S-5000, 3S-5000F, 3S-5000HD, 3S-5000HDF only)



38611

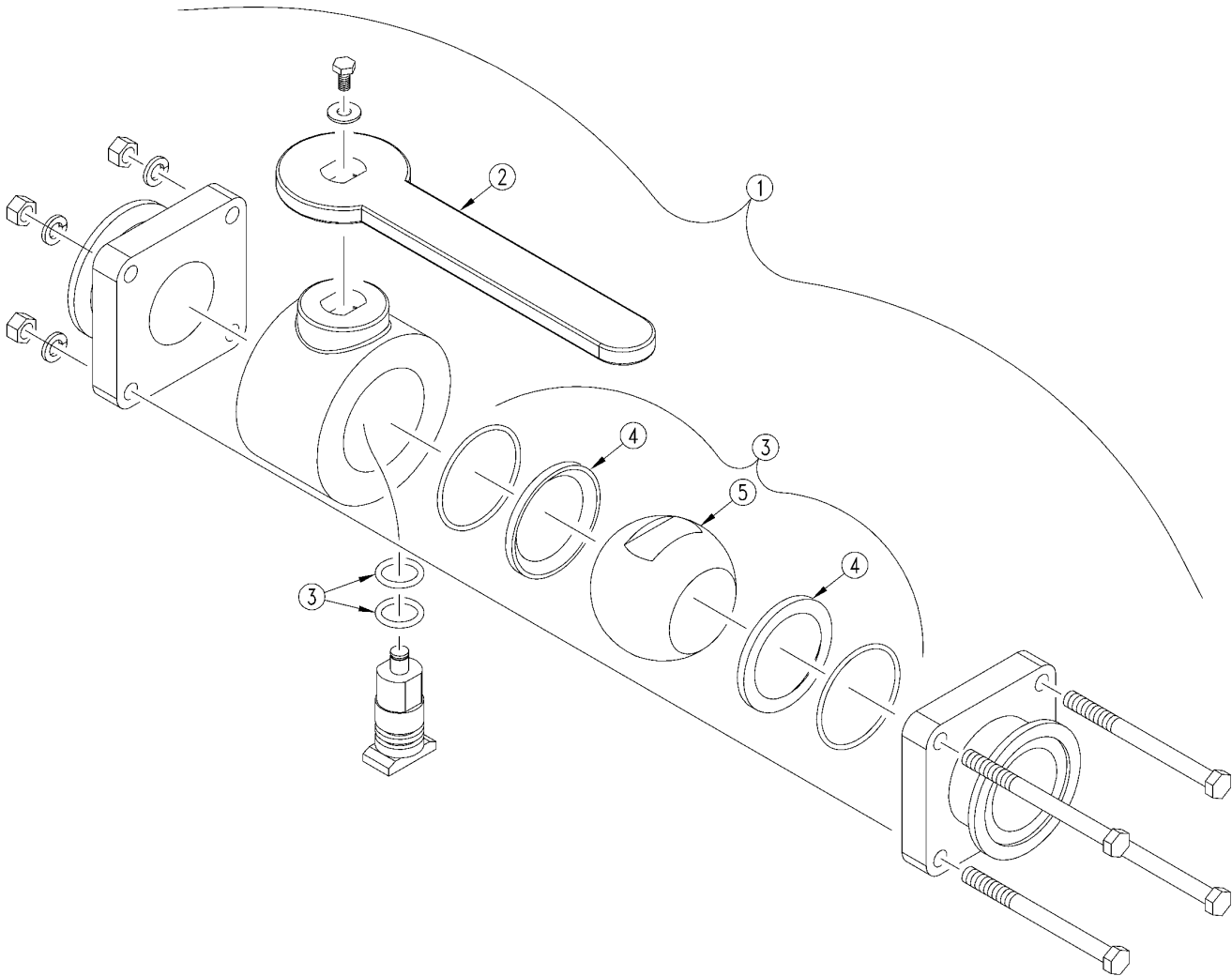
Wetboom 10" Spacing

(Applies to 3S-5000, 3S-5000F, 3S-5000HD, 3S-5000HDF only)

Ref	Part No.	Part Description	Comments	Revision
	dwg38611	Image No.		
1.	830-061C	CA 3/4FNPT POLYPROP		
2.	806-051C	U-BOLT 3/8-16 X 6 1/32 X 7		
3.	804-013C	WASHER LOCK SPRING 3/8 PLT		
4.	803-014C	NUT HEX 3/8-16 PLT		
5.	803-088C	NUT HEX LOCK 1/4-20 FLG		
6.	417-212D	MANIFOLD BRACKET		
7.	806-152C	U-BOLT 1/4-20 X 1.125 X 2 RND		
8.	800-367C	AD PUSH 1/4TUBEX1/4MNPT		
9.	832-051C	NOZZLE CAP QUICK X 90X1/4 FNPT		
10.	829-089C	NOZZLE BODY 3/4 WET BOOM CLAMP		
11.	802-079C	HHCS 3/8-16X1 1/4 GR5		
12.	417-213D	MANIFOLD CENTER BRACKET		
13.	830-028C	TEE 3/4FNPT POLYPROP		
14.	830-124C	EL 3/4MNPT X 1HB POLYPROP		
15.	417-202D	MANIFOLD 50FT 11 HOLE 6.75 WNG		
16.	417-203D	MANIFOLD 50FT 9 HOLE 6.75" CTR		
17.	832-042C	NOZZLE SHUT OFF CAP W/ GASKET		
18.	990-082R	HOSE 1 ID 200PSI EPDM		
19.	990-109R	TUBE NYLON 1/4OD X 062WL		

Ball Valve (829-116C)

(Applies to 3S-5000, 3S-5000F, 3S-5000HD, 3S-5000HDF only)



22686

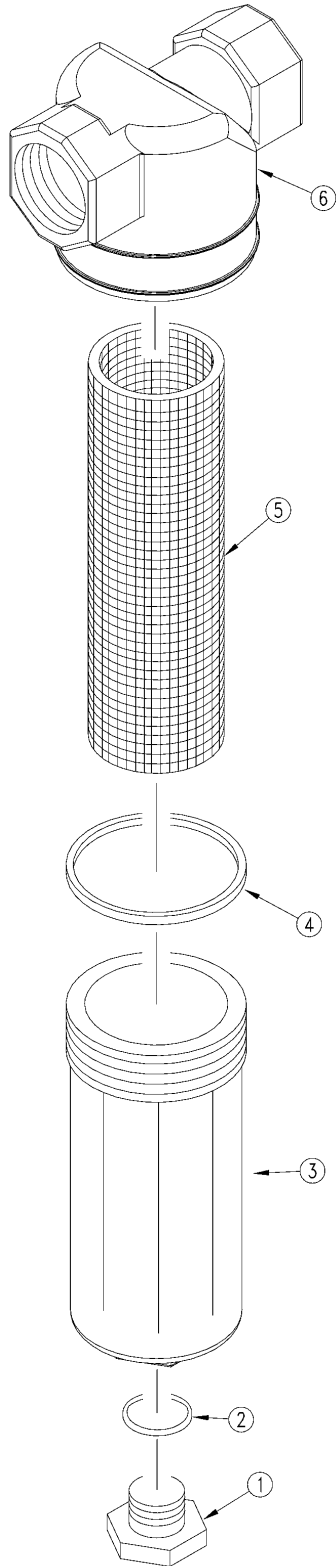
Ball Valve (829-116C)

(Applies to 3S-5000, 3S-5000F, 3S-5000HD, 3S-5000HDF only)

Ref	Part No.	Part Description	Comments	Revision
	dwg22686	Image No.		
1.	829-111C	VALVE 1 1/2 MANIFOLD BALL POLY		
1.	829-112C	VALVE 1 MANIFOLD 3 WAY BALL BL		
1.	829-114C	VALVE 1 MANIFOLD BALL POLY		
1.	829-115C	VALVE 2 MANIFOLD BALL POLY		
1.	829-116C	VALVE 2FP MANIFOLD 3 WAY BALL		
2.	V20153	BANJO VALVE HANDLE 1 1/2"	Handle for 829-111c	
2.	829-118C	HANDLE FOR 829-112C	Handle for 829-112c	
2.	V10153A	BANJO VALVE HANDLE 1"FP	Handle for 829-114c	
2.	V25153	BANJO VALVE HANDLE 2"FP	Handle for 829-115c	
2.	829-117C	HANDLE FOR 829-116C	Handle for 829-116c	
3.	V20200	VALVE REPAIR KIT BANJO BALL 2	Repair kit for 829-111c	
3.	V10200	VALVE REPAIR KIT BANJO BALL 1	Repair kit for 829-114c	
3.	V25200	VALVE REPAIR KIT BANJO 2"FP	Repair kit for 829-115c	
4.	V20258A	SEAT - BANJO VALVE MV200CF	Seat for 829-111c	
4.	VE10258A	SEAT - BANJO VALVE MV100BL	Seat for 829-112c	
4.	V10258A	SEAT - BANJO VALVE MV100CF	Seat for 829-114c	
4.	V25258A	SEAT - BANJO VALVE MV220CF	Seat for 829-115c	
4.	V25258	SEAT - BANJO VALVE MV220BL	Seat for 829-116c	
5.	V20255A	BALL - BANJO VALVE MV200CF	Ball for 829-111c	
5.	V10355B	BALL - BANJO VALVE MV100BL	Ball for 829-112c	
5.	V10155	BALL - BANJO VALVE MV100CF	Ball for 829-114c	
5.	V25255A	BALL - BANJO VALVE MV220CF	Ball for 829-115c	
5.	V25355B	BALL - BANJO VALVE MV220BL	Ball for 829-116c	

Banjo Strainer (831-029C)

(Applies to 3S-5000, 3S-5000F, 3S-5000HD, 3S-5000HDF only)



18418

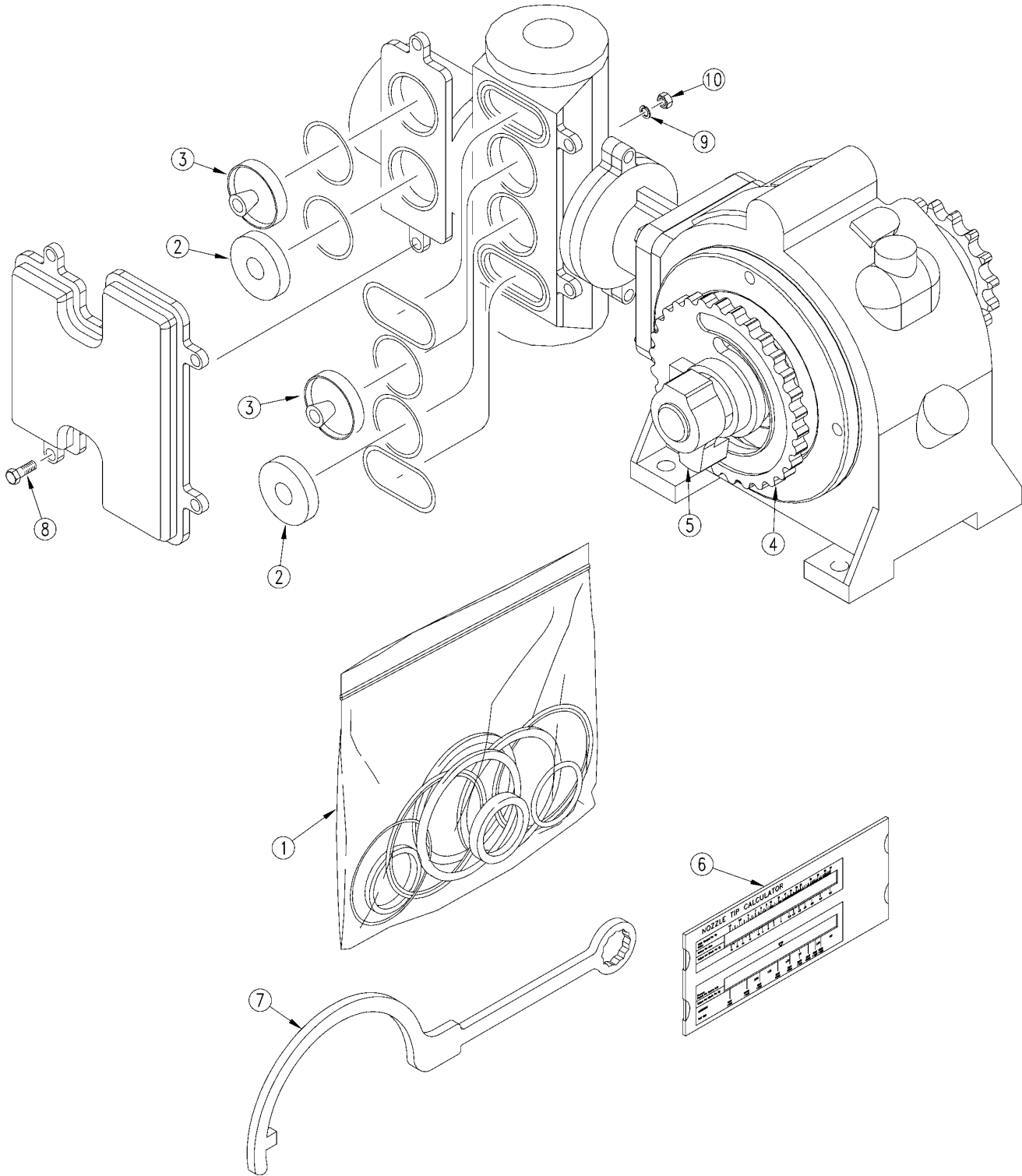
Banjo Strainer (831-029C)

(Applies to 3S-5000, 3S-5000F, 3S-5000HD, 3S-5000HDF only)

Ref	Part No.	Part Description	Comments	Revision
	dwg18418	Image No.		
1.	LSQ200-PL	PLUG FOR STRAINER 831-029C		
2.	LSQ200-R	BANJO GASKET/O-RING		
3.	LST150-B	BOWL FOR 831-029C		
4.	LST150-G	GASKET FOR 831-029C		
5.	LST1580	SCREEN FOR STRAINER 831-029C		
6.	LST150-H	HEAD FOR 831-029C		

John-Blue Pump (831-068C)

(Applies to 3S-5000, 3S-5000F, 3S-5000HD, 3S-5000HDF only)



28428

John-Blue Pump (831-068C)

(Applies to 3S-5000, 3S-5000F, 3S-5000HD, 3S-5000HDF only)

Ref	Part No.	Part Description	Comments	Revision
	dwg12345	Drawing Image Number		
1.	115688	REPAIR KIT JB FOR 831-059C		
2.	115606-91	SUCTION VALVE FOR JB 831-059C		
3.	115607-91	DISCHGE VALVE JB FOR 831-059C		
4.	115627-01	SETTING HUB		
5.	115628-01	SETTING POINTER FOR JB 831-059		
6.	115698-91	CHART ASY PUMP SETTING		
7.	115631-01	JB SETTING WRENCH		
8.	802-022C	HHCS 3/8-16X1 1/2 GR5		
9.	804-013C	WASHER LOCK SPRING 3/8 PLT		
10.	803-014C	NUT HEX 3/8-16 PLT		



Part Number Index

The Part Number Index is a numeric index of all part numbers included in this manual. The index shows what page(s) the part is used on.

Part Number	Page	Part Number	Page	Part Number	Page	Part Number	Page
1042	217	118-066D	93, 95, 129	121-164D	179, 181	133-383K	69
107-111D	179, 181, 187, 189	118-067D	105, 107, 135	121-166D	179, 181, 187	133-384H	57, 65
107-113D	179, 181	118-068D	109, 111, 113, 115, 137, 139	121-169D	179, 187	133-385H	57, 65
107-137V	187, 189	118-069D	109	121-176D	187, 189	133-386K	69
107-138S	179, 181	118-070D	111, 137	121-702H	179	133-387H	57, 65
1079	207	118-226S	81, 85, 91, 93, 97, 103, 105, 109, 115	121-703H	181	133-388K	69
1084	207	118-336D	81, 85, 91, 93, 97, 103, 105, 109, 115	121-762S	179	133-389H	33
1087-250	217	118-338D	109, 111, 113, 115, 137, 139	121-763S	181	133-390H	33
1087-437	217	118-339D	97, 99, 103, 131	1211	217	133-391K	69
1088-011	217	118-341D	81, 83, 85, 87, 89, 91, 93, 95, 97, 99, 101, 103, 105, 107, 109, 111, 113, 115, 123, 125, 127, 129, 131, 133, 135, 137, 139	1217	217	133-392H	33
1088-210	207	118-347D	97, 99, 103, 131	1218	217	133-393K	69
1088-905	217	118-370D	97, 99, 101, 103, 133	122-001S	187, 189	133-394K	69
1088-906	217	118-371D	105, 107, 135	122-003D	183	133-395K	69
1088-908	217	118-372D	111, 137	122-006D	191	133-396H	57, 65
1089-011	217	118-373D	105, 107, 135	122-041D	203, 205	133-397K	69
1089-210	207	118-375D	105, 107, 135	122-094D	205	133-398H	57, 65
109-025H	117, 145	118-376D	97, 99, 101, 103, 131, 133	122-103S	205	133-399K	69
109-069D	117, 145	118-377D	97, 99, 101, 103, 133	122-110D	203	133-400H	33
109-091D	83, 87, 89, 95, 99, 101, 107, 111, 113, 123, 125, 127, 129, 131, 133, 135, 137, 139	118-431D	81, 83, 85, 87, 89, 91, 123, 125, 127	122-117S	203	133-401K	69
1092-6	217	118-432D	81, 83, 85, 87, 89, 91, 97, 99, 101, 103, 113, 133	122-120D	175, 183	133-402H	33
1099	217	118-433D	97, 99, 101, 103, 131	122-151D	175	133-403K	69
113-018H	215	118-434D	81, 83, 85, 87, 89, 91, 123, 125, 127	122-164D	183	133-404K	69
113-025S	212	118-436D	97, 99, 101, 103, 131, 133	122-166D	183	133-405K	69
113-369H	215	118-440D	113, 139	122-173H	175	133-406H	57, 65
113-682D	211	118-443H	117, 145	122-178D	177	133-407K	69
113-683D	211	118-444H	145	122-179D	191	133-408H	57, 65
113-794D	212	118-467D	93, 95, 129	122-197V	205	133-409K	69
113-797D	211	118-508D	81, 85, 91, 93, 97, 103, 105, 109, 115	122-198V	203	133-410H	33
113-798D	212	118-548D	85, 91	122-242S	179, 181	133-411K	69
113-878H	211	118-641D	109, 115	122-250H	183	133-412H	33
113-879H	211	1180	217	123-020D	69	133-413K	69
113-881H	211	1182	217	123-021D	69	133-414K	69
113-882H	212	119-154D	59	123-050H	33, 57, 65	136-027D	161
113-883H	211	119-190D	43, 53, 61, 69	123-113D	33, 57, 65	136-044D	159
113-884H	211	120-247D	35, 55, 63	123-116D	33, 57, 65	136-052D	149, 165, 167
113-885H	211	120-305D	259	123-118D	33, 57, 65	136-064D	169
113-886H	212	120825	185	123-356D	33, 57, 65	136-078D	169
113-887H	211	121-004S	189	123-409D	33, 57, 65	136-122D	149, 165, 167
113-888H	212	121-005S	187	123-410D	33, 57, 65	136-151D	159
113-889H	211	121-044D	189	123-476H	33, 57, 65	136-154D	169
113-891H	211	121-151D	179, 181, 187, 189	123-491D	69	136-274D	159
113-892H	211	121-154D	179, 181, 187, 189	123-492D	69	136-275D	165, 167
113-893H	211	119-154D	59	123-834H	33, 57, 65	136-294D	165, 167
113-897H	212	119-190D	43, 53, 61, 69	1285	207	141-084D	49
113-898D	211	120-247D	35, 55, 63	129BXT821	185	142-198D	179, 181, 187, 189
113-899D	211	120-305D	259	129BXT827	185	148-404D	23
1132-05	217	120825	185	133-024D	173	148-613D	29, 43, 53, 61
1132-08	217	121-004S	189	133-051H	173	152-262D	153, 155
115606-91	279	121-005S	187	133-101D	171	152-263D	157
115607-91	279	121-044D	189	133-116D	57, 65	152-597D	147
115627-01	279	121-151D	179, 181, 187, 189	133-118D	65	160-476H	11, 15
115628-01	279	121-154D	179, 181, 187, 189	133-122D	33	160-477H	11, 15
115631-01	279	119-154D	59	133-125D	33	160-478H	11, 15
115688	279	119-190D	43, 53, 61, 69	133-126D	57	160-479H	11, 15
115698-91	279	120-247D	35, 55, 63	133-128D	57, 65	160-494D	11, 15
116-019D	119, 141	120-305D	259	133-128H	193	163-094D	11, 15
116-020D	119, 141	120825	185	133-130D	57, 65	163-099D	11, 15
116-132K	121, 143	121-004S	189	133-132D	33	166-389D	171
116-181D	121, 143	121-005S	187	133-134D	33	168-127D	173
116-353D	215	121-044D	189	133-136D	57, 65	170-033H	9, 11, 15
116-354D	215	121-151D	179, 181, 187, 189	133-138D	57, 65	170-071H	9, 11, 15
1179	217	121-154D	179, 181, 187, 189	133-140D	33	170-072A	9, 11, 15
118-056D	85, 91	121-154D	179, 181, 187, 189	133-142D	33	170-201D	9, 11, 15
118-065D	93, 95, 129	121-154D	179, 181, 187, 189	133-146D	69	171-057D	77
				133-147D	33, 57, 65	171-059D	77
				133-323H	171	175-102H	49
				133-324K	169	175-180S	59
				133-379H	69	175-280H	49
				133-380H	69	175-284H	49
				133-381K	69	175-303S	39, 47

[Table of Contents](#) [Part Number Index](#)



Part Number Index (continued)

Part Number	Page	Part Number	Page	Part Number	Page	Part Number	Page
175-304S	39, 47	194-091H	15	195-208D	39	195-376D	165, 167
175-305S	39, 47	194-123K	35, 55, 63	195-210D	161	195-379D	47
175-306S	39, 47	194-129H	35, 55, 63	195-210K	51	195-380D	47
175-428D	81, 83, 93, 95, 105, 107, 123, 129, 135	194-134H	29, 229	195-213K	51	195-382D	47
175-429D	83, 87, 89, 95, 99, 101, 107, 111, 113, 123, 125, 127, 129, 131, 133, 135, 137, 139	194-135H	73	195-216K	51	195-383D	47
175-430D	85, 87, 89, 91, 97, 99, 101, 103, 109, 111, 113, 115, 125, 127, 131, 133, 137, 139	194-155H	55, 63	195-222D	153	195-384D	45
175-434D	49	194-156H	35, 55, 63	195-243D	149, 165, 167, 169	195-385D	45, 51
175-435D	49	194-191H	71	195-253H	117	195-386D	45, 51
175-439D	49	194-270D	25	195-254D	155, 157	195-387D	45, 51
175-446D	49	194-273D	29	195-268D	161	195-388D	45
175-470D	47	194-274D	29	195-269H	161	195-389D	45, 51
175-471D	47	194-368D	79	195-271D	159	195-390D	43
175-472D	47	194-472D	27	195-272K	149, 159, 169	195-390H	147
175-473D	47	194-473D	25	195-273S	159	195-391H	147
175-474D	47	194-515D	55, 63	195-273S	159	195-395H	151
175-475D	47	194-516D	55, 63	195-304K	51	195-397H	157
176-042S	153, 155, 163	194-549H	27	195-310H	73	195-411H	39
176-065D	153, 163	194-577D	27	195-311H	73	195-412H	39
176-066D	149, 163	194-645D	27	195-312K	51	195-413H	39
176-076D	163	194-647D	27	195-313K	51	195-414H	39
176-078D	163	194-648D	27	195-314K	51	195-415H	39
176-080D	163	194-652D	27, 30	195-315K	51	195-416D	29
176-084D	163	194-713D	29	195-316K	51	195-417D	29, 75
180-177D	35, 55, 63	194-714D	29	195-317K	51	195-418D	149, 169
180-178D	21	194-715D	29	195-318K	51	195-419D	149, 169
185-014D	19	194-716D	29	195-319K	51	195-420D	73
188-001V	179, 181, 187, 189	194-717D	29	195-321S	165, 167	195-421D	85
188-008V	175, 183	194-718D	29	195-325B	53	195-421K	37
191-001D	49	194-719D	29	195-326S	39, 45, 51	195-422D	159, 169
191-002D	49	194-720D	29	195-327S	39, 45	195-422H	37
191-018D	49	194-721D	29	195-330S	39, 45, 51	195-423H	37
194-035H	19	195-007D	159	195-331S	39, 45	195-424D	147
194-036H	35	195-062H	73	195-332S	43	195-425D	147
194-037H	35	195-099K	51	195-333S	43	195-426D	147
194-038H	55	195-100D	29, 43, 53, 61	195-334H	73	195-431D	167
194-039H	55	195-101D	29, 43, 53, 61	195-335H	73	195-434D	151
194-040H	63	195-102D	29, 43, 53, 61	195-336H	73	195-434H	59
194-041H	63	195-108D	151	195-337H	73	195-435H	59
194-042H	55	195-109D	149, 169	195-338H	39	195-436S	165, 167
194-043H	55	195-124H	67	195-339D	73	195-450S	29, 43, 59, 69
194-044H	63	195-129H	151, 167	195-339H	39	195-451S	43, 53, 59, 61, 69
194-045H	63	195-131H	157	195-340D	73	195-468D	37
194-046H	35	195-144D	157	195-340H	39	195-469D	37
194-052H	9, 21, 27, 29	195-150S	43	195-341H	39	195-470D	37
194-053H	25, 43, 61, 169	195-152D	151	195-342D	73	195-471D	37
194-054H	29, 43, 169	195-153D	151	195-342H	39	195-472D	37
194-055H	25, 43, 53, 169	195-153H	161	195-343H	39	195-473D	37
194-056H	21, 23	195-154H	161	195-344H	39	195-474D	37
194-057H	71	195-155H	161	195-345H	39	195-475D	37
194-058D	79	195-156H	161	195-346H	39	195-476D	37
194-059S	21	195-157D	151	195-347H	39	195-477D	37
194-065H	19	195-157H	161	195-348K	29	195-557D	73
194-066H	27	195-158H	161	195-349K	29	195-558D	73
194-067H	25, 27	195-159D	29, 53, 61	195-358D	81	195-559D	77
194-068H	25, 27	195-159H	161	195-359D	83, 123	196-136H	9, 11, 15
194-070D	9, 11, 15	195-160D	29, 53, 61	195-360D	87, 125	196-146D	9, 11, 15, 27, 43, 53, 61, 265
194-075H	21, 23	195-160H	153	195-361D	89, 127	196-367D	133
194-088H	11, 21, 27, 29	195-161H	155	195-362D	91	196-885D	9, 11, 15, 27, 265
		195-169D	167	195-363D	93	197-001D	25, 27, 29
		195-172D	149, 165	195-364D	95, 129	197-089D	67
		195-187K	159, 165, 167	195-365D	97	197-091D	67
		195-188H	35, 55, 63	195-366D	99, 131	197-096D	67
		195-192D	47	195-367D	101	198-137D	195, 197, 199, 201, 203, 205
		195-198K	51	195-368D	103	199-022H	195
		195-204K	51	195-369D	105	199-030D	203
		195-205D	43	195-370D	107, 135	199-031D	205
		195-205K	51	195-371D	109	199-042D	199, 201
		195-206D	43	195-372D	111, 137	199-043H	195
		195-206K	51	195-373D	113, 139	199-088H	197
		195-207D	43	195-374D	115		
		195-207K	51	195-375D	159, 165		

[Table of Contents](#) [Part Number Index](#)



Part Number Index (continued)

Part Number	Page	Part Number	Page	Part Number	Page	Part Number	Page
199-089H	197	407-228D	263	97, 99, 101, 103,		801-081C	29, 75, 77
1M1028-ADI	253	411-025D	259	105, 107, 109,		801-084C	175, 183
1M1502-ADI	249	411-264D	211	111, 113, 115,		801-096C	67
1M6006	251	411-267D	211	123, 125, 127,		801-141C	175, 183
1M7016	247	417-137H	263	129, 131, 133,		801-154C	67
1M7022-ADI	255, 257	417-177H	261	135, 137, 139,		801-172C	187, 189
202-189D	199, 201	417-191D	259	179, 181		801-199C	119, 141
202-190D	203	417-192D	259	800-012C	47, 49	802-004C	33, 53, 57, 65,
202-274D	205	417-198D	269	800-016C	151		73, 77, 81, 83,
206-014S	175, 183	417-199D	269	800-028C	33, 57, 65		85, 87, 89, 91,
2154	217	417-200D	271	800-030C	49		93, 95, 97, 99,
221-694H	189	417-201D	271	800-032C	49		101, 103, 105,
221-695H	187	417-202D	273	800-035C	131		107, 109, 111,
221-730S	187, 189	417-203D	273	800-052C	119, 141		113, 115, 123,
248-251D	53	417-208D	261	800-058C	35, 55, 63, 153,		125, 127, 129,
253000	121, 143	417-209D	261		155		131, 135, 137,
253001	121, 143	417-212D	269, 271, 273	800-064C	29		139
253016	119, 141	417-213D	269, 271, 273	800-073C	19, 27	802-005C	39, 195, 197
253017	119, 141	417-215D	265	800-082C	19, 27, 75, 77,	802-007C	117, 145, 177
253100	119, 141	417-216D	265		265	802-010C	9, 11, 15, 27, 265
253700	121, 143	417-217D	265	800-093C	175, 183	802-012C	15, 157
253701	121, 143	417-218D	265	800-101C	33, 57, 65, 67	802-014C	29, 77, 81, 85,
2A0006	247, 251	417-717D	265	800-107C	81, 85, 91, 93,		91, 93, 97, 103,
2A0008	253	4M1102	249		97, 103, 105,		105, 109, 115,
2A0012	247, 251	4M2102	251	800-112C	109, 115	802-015C	117, 145, 209
2A0014	247, 249	4M4108	247		11, 15, 29, 77,		59, 177, 179,
2A0022	251	4M7110	255		121, 143		181, 191
2A0024	247	4M8108	253	800-121C	59	802-017C	39, 69, 73, 153,
2A0025	253, 255, 257	4M8508	257	800-124C	261		155, 157, 175,
2A0030	249	500-090B	245	800-127C	263		191, 211, 215
2A0049	249	503-158D	263	800-130C	23, 27	802-022C	79, 279
2A0130	249	507-034V	261	800-144C	261	802-023C	255, 257
2A0132	251	5070	239	800-148C	29, 75, 77	802-026C	235
2A0134	255, 257	5075	239	800-177C	163	802-030C	73
2A0202	249	540017	119, 141	800-207C	261, 263	802-034C	29, 43, 53, 61,
2A0208	251	548-002S	233, 235	800-208C	261		73, 161, 169
2A0216	257	548-005S	209, 221, 223,	800-213C	179, 181, 187,	802-036C	211
2A0217	21, 255, 257		225		189	802-038C	37
2A022	249	548-006S	243	800-219C	73	802-039C	165, 171
2A0260	249	5M1108	249	800-310C	175	802-041C	9, 11, 15, 149,
2A0263	249	5M2116	251	800-321C	193		159, 161, 165,
2A0418	253	5M4132	247	800-322C	179, 187		167, 169, 211
2M1187NC	249	5M7518	255	800-367C	269, 271, 273	802-045C	179, 181, 187,
2M2316	251	5M8138	253	800-435C	147		189
2M4532	247	5M8524	257	800-449C	27	802-046C	149, 165, 167
2M8834NC	253	61010016	245	800-497C	77	802-053C	11, 15
2S7576NC	255	61010039	245	801-001C	33, 57, 65, 117,	802-055C	211
2S8620NC	257	61011003	245		145	802-057C	81
30102754	245	6M1108	249	801-002C	179, 181	802-058C	195, 197, 199,
3089	217	6R0032	251	801-003C	33, 57, 65		201
313-176D	59	6R1144	247	801-009C	49	802-065C	259
313-186D	59	6R7190-ADI	255	801-016C	121, 143	802-068C	35, 55, 63
318917	119, 141	6R8168-ADI	257	801-023C	147	802-069C	23
318951	119, 141	6R9170-ADI	253	801-035C	33, 57, 65, 81,	802-072C	211
39680008	245	710425	119, 141		83, 85, 87, 89,	802-078C	33, 45, 47, 57, 65
3M1108	249	770026	119, 141		91, 93, 95, 97,	802-079C	29, 37, 43, 49,
3R0122	251	7M1308	249		99, 101, 103,		53, 61, 73, 157,
3R1510	247	7M2316	251		105, 107, 109,		229, 261, 265,
3R7412	255	7M4332	247		111, 113, 115,		269, 271, 273
3R8612	257	7M7318	255		123, 125, 127,	802-082C	35, 55
3R9812	253	7M8324	257		129, 133, 135,	802-088C	147
401-452H	211	7M8338	253		137, 139	802-091C	159
401-494H	211	800-001C	21, 27, 55, 63,	801-057C	83, 85, 87, 89,	802-092C	33, 49, 57, 65,
401-993D	259		151, 211		91, 93, 95, 97,		165, 167
402-050D	165, 167	800-003C	117, 145		101, 103, 105,	802-095C	35, 55, 63
402-051D	165, 167	800-004C	81, 85, 91, 93,		107, 109, 111,	802-097C	11, 15
402-203H	259		97, 103, 105,		113, 115, 123,	802-099C	211
402-205H	259		109, 115		125, 127, 129,	802-100C	205
402-376D	165, 167	800-008C	179, 181		133, 135, 137,	802-103C	27, 29
403-751D	165, 167	800-009C	81, 83, 85, 87,		139	802-104C	147
404-121S	187, 189		89, 91, 93, 95,	801-067C	121, 143	802-106C	151

Table of Contents Part Number Index



Part Number Index (continued)

Part Number	Page	Part Number	Page	Part Number	Page	Part Number	Page
802-114C	259	802-849C	211	803-193C	179, 181, 187, 189, 263	804-016C	19, 29, 69, 73, 75, 77, 159, 173
802-119C	205	803-001C	33, 57, 65, 67	803-194C	83, 85, 87, 89, 91, 93, 95, 97, 99, 101, 103, 105, 107, 109, 111, 113, 115, 123, 125, 127, 129, 131, 133, 135, 137, 139	804-017C	9, 11, 15, 212
802-121C	179, 181, 187, 189	803-003C	67	803-006C	33, 49, 57, 65, 73, 77, 229, 267	804-021C	249
802-128C	19, 63	803-007C	33, 37, 39, 57, 65	803-008C	39, 49, 117, 145, 149, 151, 157, 159, 161, 165, 167, 169, 171, 173, 177, 261	804-022C	11, 15, 27, 147, 171, 195, 197, 199, 201, 203, 205, 211
802-130C	161, 211	803-011C	29, 37, 53, 59, 61	803-195C	81	804-023C	35, 55, 63, 211, 259, 263
802-131C	11	803-013C	37, 211, 235	803-199C	29, 43, 53, 61, 73	804-025C	35, 55, 63, 215
802-138C	53	803-014C	43, 49, 53, 61, 69, 77, 79, 157, 179, 181, 183, 185, 191, 209, 211, 215, 229, 261, 265, 269, 271, 273, 279	803-209C	27, 39, 59, 73, 177, 187, 189, 193	804-027C	9, 11, 15, 21, 35, 55, 63
802-139C	35	803-015C	73	803-210C	259	804-028C	211
802-144C	9, 11, 15	803-016C	117, 145	803-215C	153, 155, 157	804-029C	11, 15, 21, 211
802-148C	33, 49, 57, 65	803-019C	211	803-230C	75, 77	804-030C	9, 11, 15, 29
802-152C	37, 153, 155	803-020C	9, 11, 15, 19, 29, 35, 37, 53, 55, 63, 73, 149, 151, 157, 159, 161, 167, 169, 173, 211	803-234C	253, 255, 257	804-031C	81, 83, 85, 87, 89, 91, 93, 95, 97, 99, 101, 103, 105, 107, 109, 111, 113, 115, 123, 125, 127, 129, 131, 133, 135, 137, 139
802-155C	177, 187, 189	803-024C	211	803-239C	147	804-035C	25, 27, 29
802-159C	37, 261	803-026C	23, 35, 55, 63	803-257C	253, 255, 257	804-036C	11, 15, 37, 39, 59, 117, 145
802-160C	203	803-027C	35, 55, 63, 211, 263	803-263C	147	804-037C	29
802-162C	171	803-028C	35, 55, 63	803-310C	179, 187	804-040C	117, 145, 179, 181, 187, 189
802-167C	75, 77	803-031C	9, 11, 15, 21, 35, 55, 63	804-001C	117, 145, 229	804-042C	33, 57, 65
802-168C	209	803-032C	29	804-002C	33, 57, 65, 117, 145	804-043C	121, 143
802-171C	23	803-034C	9, 11, 15, 71	804-003C	33, 57, 65, 117, 145	804-044C	33, 57, 65
802-183C	37	803-035C	33, 57, 65, 117, 145	804-004C	33, 57, 65, 67, 133	804-046C	33, 57, 65
802-196C	40, 51	803-036C	37, 149, 159, 161, 165, 167, 169, 171, 179, 181, 187, 189, 259	804-006C	11, 15, 33, 49, 57, 65, 73, 77, 153, 155, 229, 235, 267	804-048C	49
802-197C	203	803-037C	179, 181, 187, 189	804-007C	11, 15, 21, 45, 47	804-049C	149, 165, 169, 171
802-203C	29, 43, 53, 61, 69, 75, 77, 173	803-049C	27, 29	804-009C	9, 11, 15, 27, 43, 49, 53, 61, 117, 145, 149, 151, 159, 161, 165, 167, 169, 171, 173, 177, 261, 265	804-061C	67, 77, 229, 235, 267
802-205C	21	803-053C	215	804-010C	9, 11, 15, 27, 145, 151, 265	804-075C	175, 183
802-212C	263	803-058C	33, 57, 65	804-011C	27, 29, 43, 53, 61, 69, 157, 235	804-082C	21
802-214C	173	803-064C	121, 143	804-012C	33, 57, 65, 81, 85, 91, 93, 97, 103, 105, 109, 115, 117, 145, 175, 179, 181, 183, 191, 215	804-088C	121, 143
802-216C	229	803-068C	73	804-013C	29, 43, 49, 53, 61, 69, 73, 77, 79, 81, 85, 91, 93, 97, 99, 103, 109, 117, 145, 157, 175, 179, 181, 183, 185, 191, 209, 212, 215, 229, 259, 261, 265, 269, 271, 273, 279	804-095C	27, 147, 171
802-226C	259	803-078C	16	804-014C	73, 105, 115	804-113C	37, 149, 151, 159, 161, 165, 167, 169, 171, 173, 259
802-228C	179, 181, 187, 189	803-079C	25, 27, 30	804-015C	9, 11, 15, 19, 29, 35, 43, 53, 55, 61, 63, 73, 149, 151, 157, 159, 161, 165, 167, 169, 171, 173, 211, 259, 265	804-134C	27, 29
802-252C	27, 49, 183	803-088C	39, 45, 47, 49, 51, 53, 77, 119, 141, 195, 197, 199, 201, 269, 271, 273	804-016C	117, 145	804-154C	179, 181, 187, 189
802-254C	211	803-095C	23	805-016C	117, 145	804-165C	19
802-257C	119, 141	803-138C	29, 43, 61	805-019C	33, 57, 65, 215	804-182C	147
802-258C	265	803-169C	37, 43, 53, 61, 75, 77, 149, 167, 173, 179, 181, 187, 189, 195, 197, 199, 201, 203, 205	805-020C	183	805-004C	211
802-282C	149, 151, 159, 161, 165, 167, 169, 171, 173, 177			805-021C	19, 21, 253	805-016C	117, 145
802-283C	21			805-022C	83, 87, 89, 95, 99, 101, 107, 111, 113, 123, 125, 127, 129, 131, 133, 135, 137, 139	805-019C	33, 57, 65, 215
802-317C	11, 15			805-023C	83, 87, 89, 95, 99, 101, 107, 111, 113, 123, 125, 127, 129, 131, 133, 135, 137, 139	805-019C	33, 57, 65, 215
802-375C	39, 47					805-021C	19, 21, 253
802-377C	159					805-023C	83, 87, 89, 95, 99, 101, 107, 111, 113, 123, 125, 127, 129, 131, 133, 135, 137, 139
802-382C	11, 15						
802-383C	263						
802-387C	29, 39, 43, 53, 61, 73, 77						
802-388C	69						
802-390C	11, 15						
802-411C	59, 185						
802-413C	37, 212						
802-416C	211						
802-418C	165, 167						
802-421C	195, 197, 199, 201, 203, 205						
802-424C	263						
802-425C	59						
802-426C	29						
802-427C	193						
802-442C	39, 43						
802-463C	211						
802-464C	11, 15						
802-521C	27						
802-543C	9						
802-550C	181, 189						
802-551C	229, 235, 267						
802-617C	199						
802-618C	201						
802-633C	49						
802-662C	55, 63						
802-687C	147						



Part Number Index (continued)

Part Number	Page	Part Number	Page	Part Number	Page	Part Number	Page
805-069C	183	810-250C	255	811-916C	227	816-743C	47
805-083C	157	810-274C	207, 209	811-917C	227	816-744C	47
805-085C	25, 27, 30	810-299C	35, 55, 63, 219,	811-918C	227	816-745C	45
805-104C	21, 35, 55, 63, 71		231, 241	811-919C	227	816-746C	45
805-109C	157, 179, 181,	810-300C	233, 235, 267	812-236C	179, 181, 187,	816-747C	147
	187, 189, 212	810-301C	229, 233, 235,		189	816-748C	147
805-127C	179, 181, 187,		267	812-366C	177, 187, 189	816-763C	23
	189	810-303C	239	812-367C	177, 187, 189	816-798C	11, 15
805-131C	211	810-310C	251	812-394C	187, 189	816-805C	59
805-148C	147	810-408C	237	814-010C	205	817-004C	81, 83, 85, 87,
805-168C	187	810-422C	209	814-034C	195		89, 91, 93, 95,
805-180C	149, 151, 153,	810-423C	209, 211	814-067C	203		97, 99, 101, 103,
	155, 159, 161,	810-430C	247	814-157C	199		105, 107, 109,
	165, 167, 169,	810-432C	229, 233, 235,	814-158C	201		111, 115, 123,
	171		237	814-159C	199		125, 127, 129,
805-186C	189	810-554C	233, 235, 267	814-160C	201		131, 133, 135,
805-187C	21, 71	810-805C	27, 209, 221,	814-174C	195		137, 139
805-197C	73		223, 225	814-210C	23, 147	817-007C	113
805-234C	179, 181, 187,	810-806C	19, 243	814-244C	197	817-009C	33, 57, 65
	189	810-807C	21, 243	814-315C	259	817-010C	33, 57, 65
805-236C	35, 55, 63	810-809C	253	814-319C	259	817-022C	205
805-238C	19	810-810C	257	814-320C	259	817-023C	205
805-240C	149, 161, 165,	810-903C	259	814-354C	211	817-025C	37, 149, 159,
	167	811-021C	209	814-400C	197		161, 165, 167,
805-318C	212	811-061C	219, 231, 267	814-406C	23		169, 171, 173
805-385C	187, 189	811-063C	235	814-415C	23	817-026C	33, 57, 65
805-423C	27	811-064C	233, 235, 267	814-430C	23	817-042C	53
805-439C	187, 189	811-065C	11, 15, 209, 221,	814-431C	23	817-053C	49
805-441C	27		223, 235, 267	814-432C	23	817-062C	203
805-486C	19	811-073C	221, 223	814-469C	23, 147	817-063C	203
806-006C	157	811-088C	221, 223	814-486C	23	817-068C	81, 83, 85, 87,
806-051C	269, 271, 273	811-133C	221, 233, 235,	814-487C	23		89, 91, 93, 95,
806-060C	159, 169		243	814-488C	23, 147		97, 99, 101, 103,
806-110C	212	811-146C	243	814-489C	23, 147		105, 107, 109,
806-132C	211	811-150C	221, 223	814-495C	23		111, 113, 115,
806-152C	269, 271, 273	811-169C	209, 219, 221,	814-496C	23, 147		123, 125, 127,
807-057C	99, 131		223, 225, 231,	814-497C	23		129, 131, 133,
807-072C	157		233, 235, 241,	814-498C	23, 147		135, 137, 139
807-073C	9, 11, 15, 133		243	814-628C	147	817-069C	81, 83, 85, 87,
807-097C	149, 163, 169	811-170C	233, 235	814-629C	147		89, 91, 93, 95,
807-101C	175, 183	811-171C	209, 221, 223,	814-630C	147		97, 99, 101, 103,
807-106C	59, 187, 189		225, 235, 243	815-001C	211, 215		105, 107, 109,
807-159C	179, 181	811-203C	245	815-200C	259		111, 113, 115,
807-160C	53	811-216C	233, 235, 267	815-438C	23		123, 125, 127,
807-160D	61	811-249C	243	815-440C	23		129, 131, 133,
807-161C	53, 61	811-286C	233, 235, 267	815-464C	23		135, 137, 139
807-188C	183	811-312C	219, 231, 233,	815-465C	23	817-070C	81, 83, 85, 87,
807-236C	37		241, 243	816-035C	259		89, 91, 93, 95,
807-262C	187, 189	811-356C	209, 221, 223,	816-112C	33, 57, 65		97, 99, 101, 103,
807-276C	211		225, 233	816-113C	33, 57, 65		105, 107, 109,
808-086C	49	811-371C	235	816-173C	175, 183		111, 113, 115,
808-143C	149, 159, 165,	811-393C	235	816-239C	81, 83, 85, 87,		123, 125, 127,
	167	811-394C	209, 221, 223,		89, 91, 93, 95,		129, 131, 133,
808-146C	171		225, 233, 235,		97, 99, 101, 103,		135, 137, 139
808-170C	173		243		105, 107, 109,	817-071C	81, 83, 85, 87,
808-194C	169, 171	811-397C	233, 235, 267		111, 113, 115,		89, 91, 93, 95,
808-240C	153	811-416C	241, 267		123, 125, 127,		97, 99, 101, 103,
808-256C	149, 159, 165,	811-423C	11, 15, 221, 223		129, 131, 133,		105, 107, 109,
	167, 169	811-470C	209, 221, 223,		135, 137, 139,		111, 113, 123,
808-257C	149, 159, 165,		225, 243		179, 181		125, 127, 129,
	167	811-579C	209	816-241C	29, 53, 61		131, 133, 135,
808-258C	149, 159, 165,	811-677C	233, 235, 267	816-242C	151		137, 139
	167	811-690C	243	816-278C	47	817-073C	81, 83, 85, 87,
808-259C	149, 159, 165,	811-702C	233, 235, 243	816-302C	179, 181, 187,		89, 91, 93, 95,
	167, 171	811-705C	243		189		97, 99, 101, 103,
808-260C	161	811-789C	243	816-306C	179, 181, 187,		105, 107, 109,
808-450C	165, 167	811-826C	227		189		111, 113, 115,
808-488C	165, 167	811-827C	227	816-358C	193		123, 125, 127,
810-118C	11, 15	811-913C	227	816-509C	117, 145		129, 131, 135,
810-152C	11, 15, 221, 223	811-914C	227	816-740C	49		137, 139
810-249C	249	811-915C	227	816-742C	49		

[Table of Contents](#) [Part Number Index](#)



Part Number Index (continued)

Part Number	Page	Part Number	Page	Part Number	Page	Part Number	Page
817-074C	81, 83, 85, 87, 89, 91, 93, 95, 97, 99, 101, 103, 105, 107, 109, 111, 113, 115, 123, 125, 127, 129, 131, 133, 135, 137, 139	818-663C	235	830-459C	261	851-637C	219
817-075C	81, 83, 85, 87, 89, 91, 93, 95, 97, 99, 101, 103, 105, 107, 109, 111, 113, 115, 123, 125, 127, 129, 131, 133, 135, 137, 139	818-664C	229, 235, 267	830-460C	261, 263	851-875C	221, 223
817-084C	179, 181, 187, 189, 195, 197, 199, 201, 203, 205	818-708C	53, 61	830-462C	261	851-877C	223
817-086C	67	818-710C	229, 267	830-463C	261, 263	851-893C	221
817-111C	153, 163	819-001C	145	831-029C	261	851-895C	221
817-191C	175, 183	819-041C	33, 57, 65	832-042C	269, 273	851-896C	221
817-202C	67	819-109C	117	832-051C	269, 271, 273	858-679C	53
817-255C	207	820-094C	215	833-595C	119, 141	858-706C	16
817-273C	151	820-256C	179, 181	833-596C	119, 141	858-781C	259
817-296C	199	820-287C	187, 189	833-690C	75, 77	858-841C	267
817-297C	201	820-431C	177	833-694C	75, 77	861-047C	223
817-314C	179, 181	822-008C	117, 145	833-696C	75, 77	861-048C	223
817-323C	49	822-032C	149, 151, 159, 161, 165, 167, 169, 171	833-697C	75, 77	861-049C	223
817-324C	39	822-048C	23	833-729C	75, 77	861-052C	267
817-328C	187, 189	822-053C	23	838-102C	73	861-053C	267
817-330C	195, 197	822-083C	49	838-160C	53, 61	890-026C	49
817-347C	187, 189	822-095C	203, 205	838-169C	53, 61	890-184C	9, 11, 15
817-350C	67	822-103C	81, 85, 91, 93, 97, 103, 105, 109, 115	838-237C	53, 67	890-190C	81, 83, 85, 87, 89, 91, 93, 95, 97, 99, 101, 103, 105, 107, 109, 111, 113, 115, 123, 125, 127, 129, 131, 133, 135, 137, 139
817-423C	165, 167	822-118C	147	838-265C	73	890-193C	25, 27
817-456C	259	822-119C	149, 151, 159, 161, 165, 167, 169, 171	838-266C	73	890-221C	59
817-504C	33, 57, 65	822-126C	173	838-267C	73	890-264C	211
817-516C	53	822-170C	195, 197, 199, 201	838-482C	53	890-277C	23
817-745C	263	822-276C	147	838-482C	53	890-305C	67
817-805C	59	823-059C	121, 143	838-599C	211	890-308C	59
817-806C	33, 57, 65	823-060C	121, 143	841-077C	233, 235, 267	890-321C	121, 143
817-869C	177	823-076C	121, 143	841-181C	233, 235, 267	890-349C	33, 57, 65
817-897C	187, 189	823-175C	237	841-360C	233	890-350C	81, 83, 85, 87, 89, 91, 93, 95, 97, 99, 101, 103, 105, 107, 109, 111, 113, 115, 123, 125, 127, 129, 131, 133, 135, 137, 139
817-954C	39	823-185C	237	841-371C	233, 235	890-431C	29
817-956C	39	823-190C	237	841-540C	227	890-466C	179, 181, 187, 189
817-957C	39	829-089C	269, 271, 273	841-541C	227	890-522C	261
817-958C	39	829-094C	261	841-542C	227	890-610C	9
817-959C	39	829-104C	261	841-543C	227	890-648C	29
817-960C	39	829-105C	261	841-681C	241	890-954C	165, 167
817-961C	39	829-107C	261	841-684C	219, 231, 241	891-210C	9, 11, 15
817-962C	39	829-111C	275	841-686C	219	891-836C	77
817-963C	39	829-112C	275	841-687C	209, 221, 223, 225, 231, 241	900TUBESP	185
818-019C	9	829-114C	275	841-688C	231, 241	990-078R	263
818-045C	19	829-115C	263, 275	841-689C	231	990-079R	261, 265
818-055C	73	829-116C	261, 275	841-690C	241	990-080R	261, 265
818-078C	9, 12, 16	829-117C	275	841-691C	231, 241	990-082R	261, 265, 269, 271, 273
818-190C	9, 12, 16	829-118C	275	841-778C	209, 225	990-109R	269, 271, 273
818-257C	29, 53, 61	830-025C	263	841-779C	209, 221, 223, 225	990-124R	261, 263, 265
818-258C	29, 53, 61	830-028C	269, 271, 273	848-811C	53	990-181R	261, 265
818-337C	9, 12, 16	830-061C	269, 271, 273	848-910C	53, 61	CP2-10	239
818-339C	9, 12, 16	830-094C	261	848-911C	53, 61	dwg	221
818-349C	25, 53	830-121C	261	850-142C	11, 15, 221, 223	dwg 25018	215
818-398C	21	830-123C	263	850-184C	11, 15, 221, 223	dwg 38935	37
818-400C	19, 21, 27	830-124C	269, 271, 273	85020333	245	dwg 38943	191
818-401C	19, 21	830-127C	261	85020040	239	dwg-27008	193
818-402C	61	830-133C	261	851-125C	219	dwg10249	163
818-557C	9, 11, 15	830-145C	261	851-126C	219	dwg12024	217
818-580C	211	830-161C	261	851-127C	231	dwg12345	279
818-660C	19, 25, 27	830-174C	261	851-240C	11, 15	dwg14927	207
818-662C	235	830-186C	261	851-241C	11, 15	dwg15705	251
		830-192C	261	851-242C	16	dwg17027	245
		830-236C	261	851-244C	11, 15		
		830-254C	261	851-245C	11, 15		
		830-258C	261	851-255C	221		
		830-324C	261	851-310C	233, 235, 267		
		830-333C	263	851-636C	231		
		830-366C	261, 263				
		830-367C	261				
		830-373C	263				
		830-390C	261				
		830-441C	261				



Part Number Index (continued)

Part Number	Page	Part Number	Page	Part Number	Page
dwg18418	277	dwg34358	57	V25355B	275
dwg18804	239	dwg34359	155	VA-080002	121, 143
dwg18807	67	dwg34360	153	VA-253307	121, 143
dwg18964	247	dwg34361	65	VA-JX-B76	121, 143
dwg21524	161	dwg34362	33	VA-JX-B77	121, 143
dwg22686	275	dwg34364	69	VA-VMM253501	121, 143
dwg22972	237	dwg34365	187	VE10258A	275
dwg24429	183	dwg34366	189		
dwg27009	121, 143	dwg34367	179		
dwg27417	171	dwg34368	185		
dwg31842	227	dwg34369	181		
dwg34220	119, 141	dwg34370	199		
dwg34227	9	dwg34371	175		
dwg34228	19	dwg34372	201		
dwg34229	21	dwg34373	205		
dwg34230	23	dwg34374	203		
dwg34231	27	dwg34375	195		
dwg34240	25	dwg34376	197		
dwg34243	29	dwg34692	211		
dwg34247	61	dwg34704	209		
dwg34248	147	dwg34984	117		
dwg34250	53	dwg34985	89		
dwg34251	43	dwg34987	83		
dwg34253	145	dwg34988	87		
dwg34254	59	dwg34993	99		
dwg34256	47	dwg34994	101		
dwg34257	39	dwg34995	95		
dwg34258	45	dwg34996	111		
dwg34259	51	dwg34997	107		
dwg34281	127	dwg34999	113		
dwg34282	49	dwg36290	261		
dwg34306	73	dwg36292	259		
dwg34307	91	dwg36407	177		
dwg34308	81	dwg36419	249		
dwg34309	79	dwg36620	263		
dwg34311	71	dwg38189	235		
dwg34312	35	dwg38282	75		
dwg34313	93, 123	dwg38544	11		
dwg34314	125	dwg38590	269		
dwg34315	63	dwg38610	271		
dwg34317	129	dwg38611	273		
dwg34322	97	dwg38905	267		
dwg34323	131	dwg38908	265		
dwg34324	133	dwg38924	15		
dwg34325	103	dwg38932	223		
dwg34326	105	dwg68377	77		
dwg34329	135	L758408-8-31	23		
dwg34330	109	LSQ200-PL	277		
dwg34331	137	LSQ200-R	277		
dwg34332	139	LST150-B	277		
dwg34333	115	LST150-G	277		
dwg34334	55	LST150-H	277		
dwg34335	149	LST1580	277		
dwg34336	85	P201630	23		
dwg34337	151	P702252	23		
dwg34338	225	P752354	23		
dwg34339	167	PRPIL-10-K-25	239		
dwg34340	243	V10153A	275		
dwg34341	233	V10155	275		
dwg34343	165	V10200	275		
dwg34344	219	V10258A	275		
dwg34345	241	V10355B	275		
dwg34346	159	V20153	275		
dwg34347	231	V20200	275		
dwg34350	253	V20255A	275		
dwg34351	255	V20258A	275		
dwg34352	257	V25153	275		
dwg34354	229	V25200	275		
dwg34355	169	V25255A	275		
dwg34356	173	V25258	275		
dwg34357	157	V25258A	275		

This Page Intentionally Left Blank



Great Plains Mfg., Inc.
1525 E. North Street
Salina, Kansas 67401 USA

www.greatplainsmfg.com
