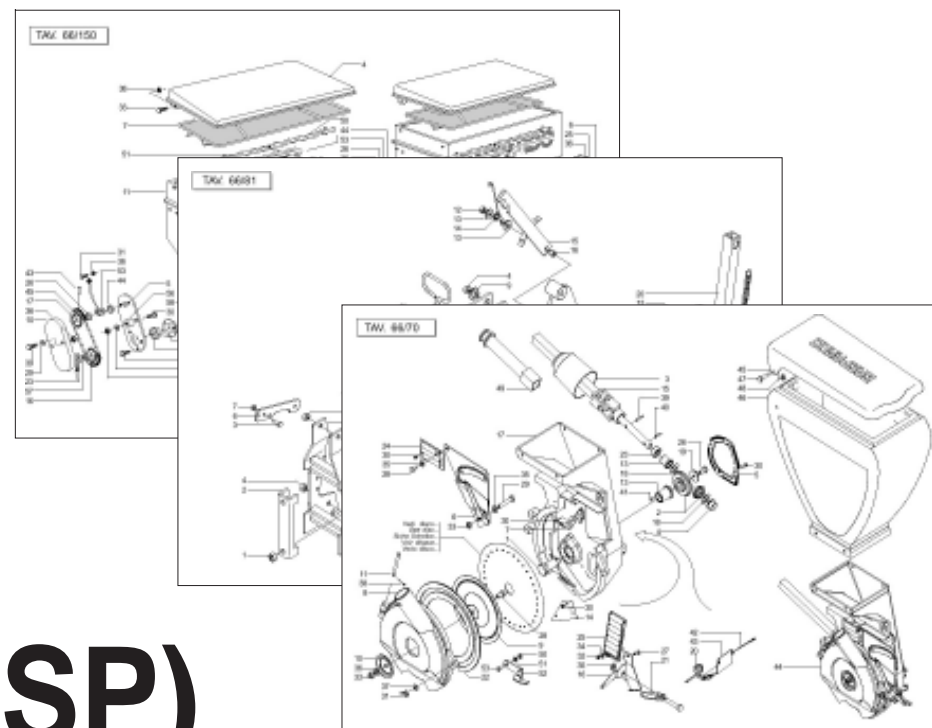


GASPARDO

MASCHIO GASPARDO S.p.A.



MAESTRA (SP)

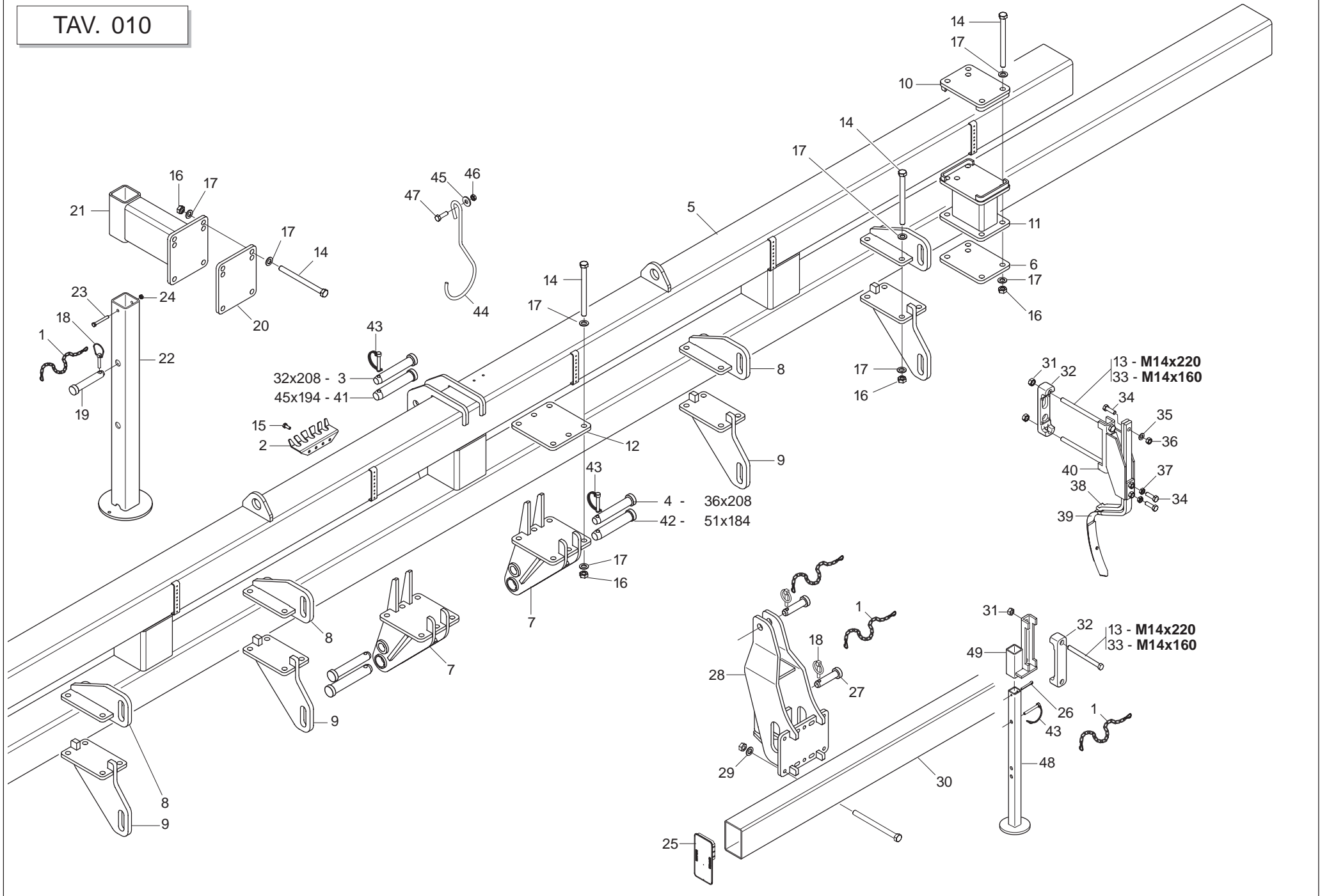
Cod: G19530881 12.2007

- *) Valido per Paesi UE
- *) Valid for EU member countries
- *) Valable dans les Pays UE
- *) Gilt für EU-Mitgliedsländer
- *) Válido para Países UE

- IT** PARTI DI RICAMBIO
- EN** SPARE PARTS
- DE** ERSATZTEILE
- FR** PIÈCES DÉTACHÉES
- ES** PIEZAS DE REPUESTO

| ITALIANO | ENGLISH | DEUTSCH | FRANÇAIS | ESPAÑOL |
|---|---|--|---|--|
| PARTI DI RICAMBIO | SPARE PARTS | ERSATZTEILE | PIECES DÉTACHÉES | RESPUESTOS |
| <p>Le ordinazioni delle parti di ricambio vanno fatte presso i nostri concessionari di zona e devono essere sempre corredate dalle seguenti indicazioni:</p> <ul style="list-style-type: none"> - Tipo, modello e numero di matricola dell'attrezzatura. Tali dati sono stampigliati nell'apposita targhetta di cui è dotata ogni attrezzatura. - Numero di codice della parte richiesta rilevabile dal catalogo ricambi. - Descrizione del particolare e quantità richiesta. - Numero della tavola. - Mezzo di trasporto. Nel caso questa voce non sia specificata, la Ditta Costruttrice, pur dedicando a questo servizio una particolare cura, non risponde di eventuali ritardi di spedizione dovuti a cause di forza maggiore. Le spese di trasporto si intendono sempre a carico del destinatario. La merce viaggia a rischio e pericolo del committente anche se venduta franco destino. <p>NOTA: Il termine (Dx) Destro o (Sx) Sinistro della macchina o di parti di essa, è inteso guardando la macchina dalla parte posteriore. Le eccezioni saranno indicate.</p> | <p><i>Orders must be transmitted through our area dealers and should always include the following indications:</i></p> <ul style="list-style-type: none"> - Type, model and serial number of the machine. <i>These data are punched on the data plate with which every implement is equipped.</i> - Code number of the required spare part. <i>This will be found in the spare parts catalogue.</i> - Description of the part and required quantity. - Table number. - Means of dispatch. <i>If this item is not indicated, the Manufacturer, while dedicating particular care to this service, shall not be held responsible for delays in delivery caused by cases of force majeure. Transport expenses shall always be at the consignee's charge. The goods travel at the purchaser's risk and peril even when sold ex destination.</i> <p>NOTE: <i>The symbols (Dx) right and (Sx) left, concerning the machine or single parts of it, are referred, as in the figure, to a rear view of them. Exceptions will be indicated.</i></p> | <p>Die Bestellungen müssen bei unseren Gebietshändlern aufgegeben werden. Bei der Bestellung sind stets die folgenden Angaben zu machen:</p> <ul style="list-style-type: none"> - Typ, Modell und Serien-Nummer des Geräts. Diese Daten stehen auf dem Typenschild, mit dem jedes Gerät versehen ist. - Artikel Nr. der erforderlichen Ersatzteile. Diese stehen im Ersatzteil-Katalog. - Beschreibung des Ersatzteils und die erforderliche Stückzahl. - Tafelnummer. - Versandmittel. Wenn dieser Punkt nicht spezifiziert wird, haftet die Herstellerfirma nicht für etwaigen Lieferverzug aufgrund höherer Gewalt, auch wenn er diesen Service besonders aufmerksam abwickelt. Die Frachtkosten gehen dagegen immer zu Lasten des Empfängers. Die Ware reist auf Gefahr und Risiko des Auftraggebers, auch wenn frei Haus Verkauft vereinbart worden ist. <p>N.B.: Die Merkzeichen (Dx) rechts und (Sx) links betreffen eine rückwärtige Aussicht der Maschine oder Teile von ihr (siehe Bild). Ausnahmen werden gezeigt.</p> | <p><i>Les ordres doivent être effectués auprès de nos concessionaires de zone en précisant les indications suivantes:</i></p> <ul style="list-style-type: none"> - Type, modèle et numéro de série de la machine. <i>Ces données sont gravées sur la plaque d'identification de chaque outil.</i> - Numéro de code de la pièce détachée indiqué sur le catalogue des pièces détachées. - Description de la pièce et quantité requise. - Numéro de plan. - Moyen d'expédition. <i>Si cette rubrique n'est pas indiquée, le Constructeur, bien que soucieux de ce service, ne répond pas des retards d'expédition pour des causes de force majeure. Les frais de transport sont toujours à la charge du destinataire. La marchandise voyage aux risques et périls de l'acheteur même si vendue franco de port.</i> <p>N.B.: <i>Les références (Dx) droit et (Sx) gauche de la machine ou des parties de la même, est entendue, comme de la figure, en regardant la machine de derriere dans le sens de marche.</i></p> | <p>Los pedidos han de efectuarse en nuestros concesionarios de zona y deben incluir siempre las siguientes indicaciones:</p> <ul style="list-style-type: none"> - Tipo, modelo y número de matrícula del equipo. Dichos datos están impresos en la relativa placa presente en el equipo. - Número de código de la parte requerida presente en el catálogo respuestas. - Descripción de la pieza y cantidad requerida. - Numero de ilustración. - Medio de transporte. En caso que este ítem no esté especificado, el Fabricante, aún prestando la debidas consideraciones para este aspecto, no responde por eventuales retardos de env'o debidos a causas de fuerza mayor. Los gastos de transporte se consideran siempre a cargo del destinatario. La mercadería viaja bajo riesgo y peligro del comprador, incluso cuando se vende franco destino. <p>N.B.: La refencia (Dx) derecha o (Sx) izquierda de la máquina o de sus componentes, se entiende, como en la figura, mirando la máquina por la parte trasera. Se indicarán las excepciones.</p> |

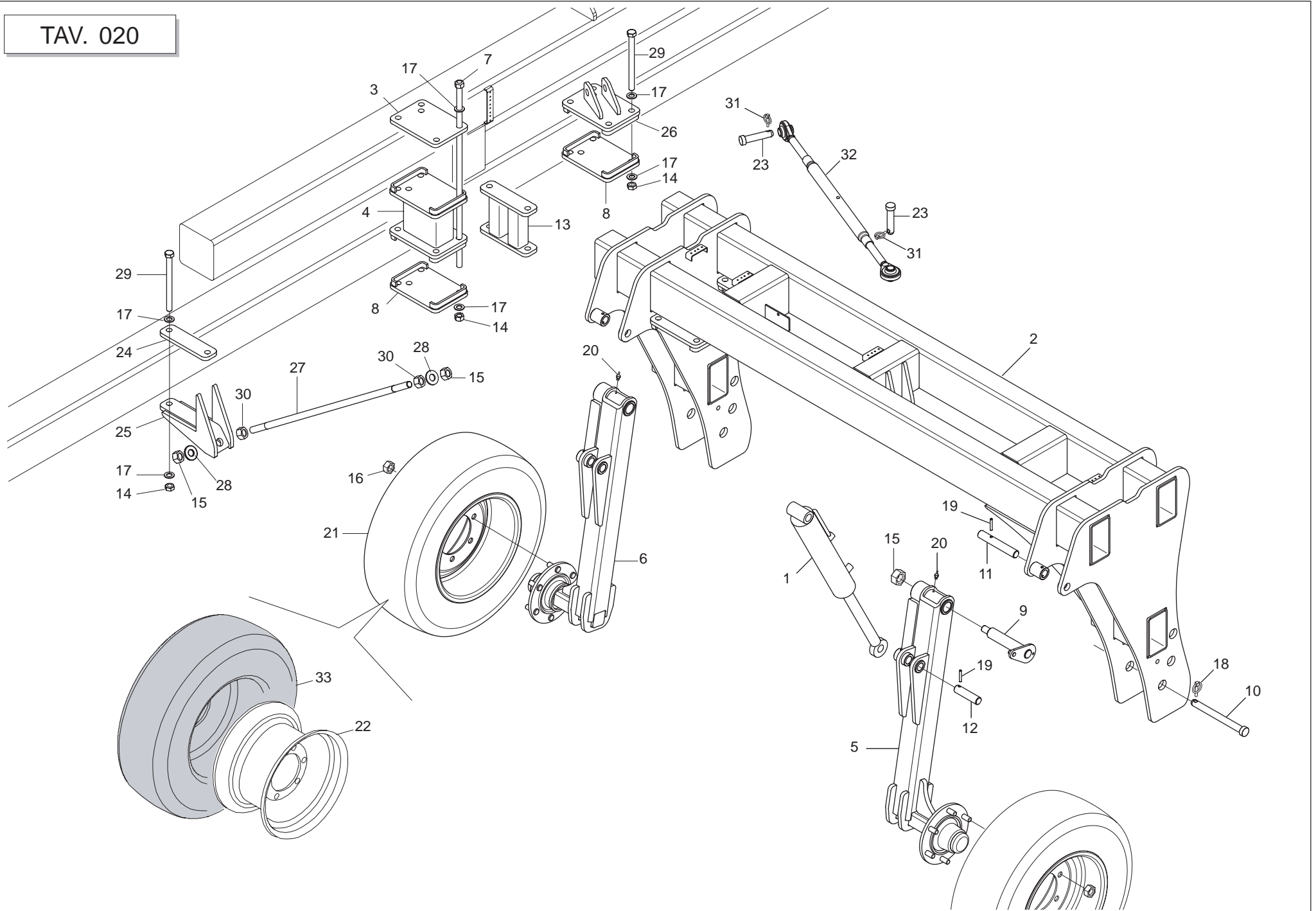
| <i>N° Tavola</i> | <i>Descrizione</i> | <i>Pagina</i> |
|-------------------------|---|----------------------|
| TAV. 010 | Telaio portante | 4 |
| TAV. 020 | Carrello posteriore | 6 |
| TAV. 030 | Impianto oleodinamico carrello | 8 |
| TAV. 040 | Timone | 10 |
| TAV. 050 | Impianto oleodinamico timone | 12 |
| TAV. 062 | Segnafile | 14 |
| TAV. 070 | Impianto oleodinamico segnafile | 18 |
| TAV. 081 | Depressore | 20 |
| TAV. 091 | Scatola di rinvio elemento | 22 |
| TAV. 100 | Distributore semi | 24 |
| TAV. 110 | Dischi di semina | 28 |
| TAV. 121 | Telaio elemeto | 30 |
| TAV. 131 | Elementi assolcatori | 32 |
| TAV. 141 | Ruote di compressione | 34 |
| TAV. 151 | Bilanciere | 36 |
| TAV. 161 | Esclusione elettrica file di semina | 40 |
| TAV. 171 | Cambio | 42 |
| TAV. 181 | Ruote di trasmissione | 46 |
| TAV. 190 | Scaletta ruote portanti | 48 |
| TAV. 200 | Flangiatura ruote | 50 |
| TAV. 211 | Supporti serbatoi spandiconcime ferro | 52 |
| TAV. 220 | Serbatoi spandiconcime ferro | 54 |
| TAV. 231 | Supporti serbatoi spandiconcime plastica | 58 |
| TAV. 240 | Serbatoi spandiconcime plastica | 60 |
| TAV. 251 | Elementi di concimazione | 64 |
| TAV. 260 | Speedy set | 66 |
| TAV. 271 | Microgranulatore | 68 |
| TAV. 280 | Trasmissione spandiconcime e microgranulatore | 72 |
| TAV. 290 | Applicazione doppio microgranulatore | 74 |
| TAV. 300 | Accessori | 76 |
| TAV. 310 | Cardani | 78 |



TELAIO PORTANTE

TAV. 010

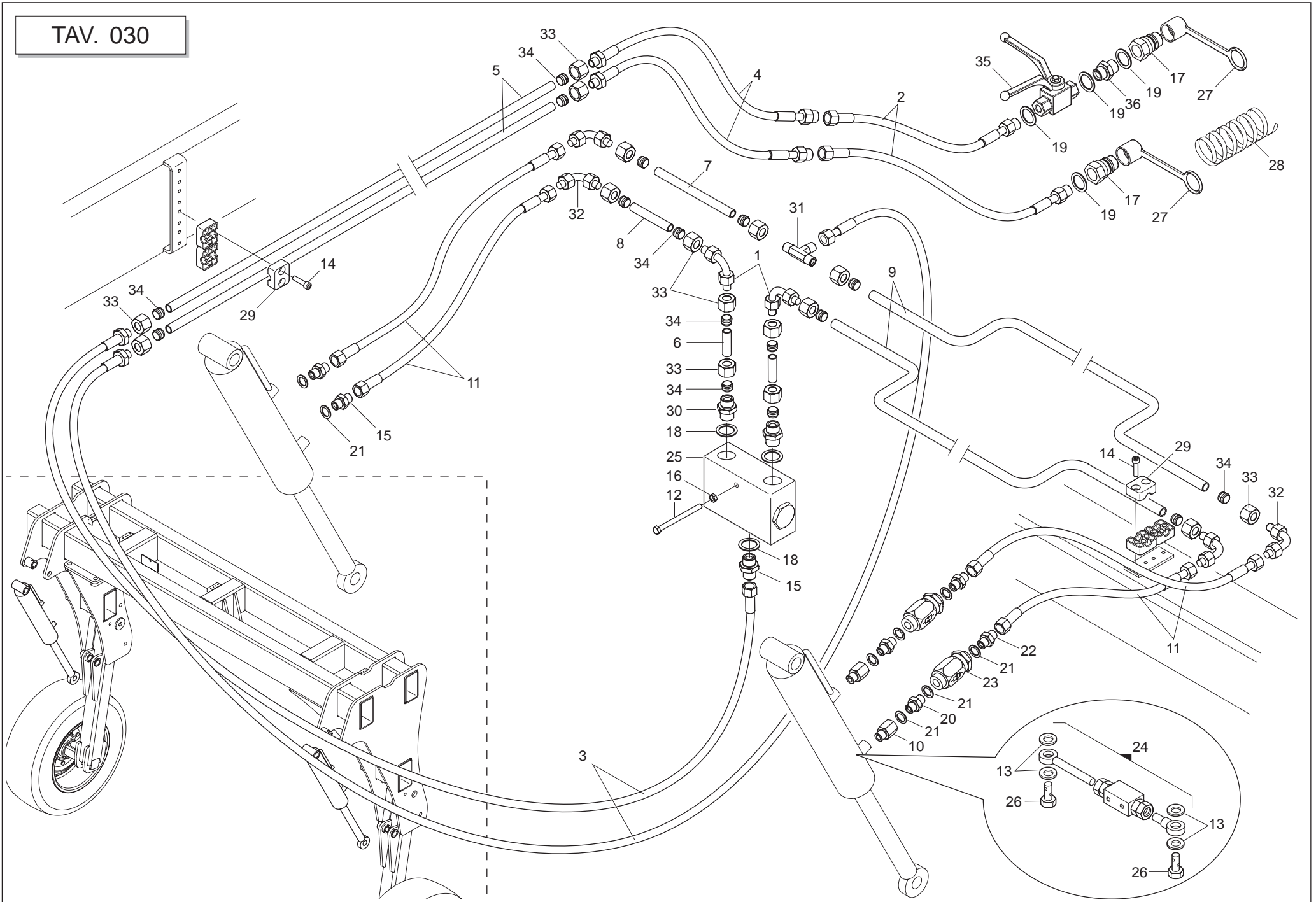
| Pos. | Cod. | Descrizione | Description | Description | Benennung | Descripcion |
|------|------------|--------------------------------|--------------------------------|--------------------------------|--------------------------------|--------------------------------|
| 1 | G13812311 | CATENELLA CON MOSCHETTONE | CHAIN WITH SPRING CATCH | CHAINETTE AVEC MOUSQUETON | KETTE MIT KARABINERHAKEN | CADENA CON GANCHO |
| 2 | G14217560 | SUPPORTO 5 TUBI | PIPE SUPPORT | SUPPORT TUBES | ROHRHALTERUNG | SOPORTE TUBOS |
| 3 | F20100089 | PERNO D32 L208 C40 ZN | | | | |
| 4 | F20100113 | PERNO D36 L208 C43 ZN | PIN D36 L208 C40 | GOUJON D36 L208 C40 | BOLZEN D36 L208 C40 | PERNO D36 L208 C40 |
| 5 | G15910012 | TELAIO FRONTALE 4 CAT. | | | | |
| 6 | G15910130 | SCONTRO 250X180-15 4F22 202 | STRIKER PLATE 250X180-15 4F22 | BUTEE 250X180-15 4F22 202 | ANSCHLAG 250X180-15 4F22 202 | ELEMENTO DE EMPALME 250X180-15 |
| 7 | G15911550 | ATTACCO 1-2 PUNTO FRONT.4A CAT | | | | |
| 8 | G15910330 | TERZO PUNTO LATO TELAI | FRAME THIRD POINT | TROISIEME POINT BATI | DRITTER PUNKT RAHMEN | TERCER PUNTO BASTIDOR |
| 9 | G15910370 | PRIMO-SECONDO PUNTO LATO TEL. | FRAME FIRST/SECOND POINT | PREMIER/DEUXIEME POINT BATI | ERSTER/ZWEITER PUNKT RAHMEN | PRIMER/SEGUNDO PUNTO BASTIDOR |
| 10 | G15910580 | PIASTRA DI SCONTRO | STRIKER PLATE | PLAQUE BUTEE | ANSCHLAGPLATTE | PLACA ELEMENTO DE EMPALME |
| 11 | G15910780 | DISTANZIALE TELAI | FRAME SPACER | ENTRETOISE BATI | DISTANZSTsCK RAHMEN | DISTANCIADOR BASTIDOR |
| 12 | G15911590 | PIASTRA ACCOPP.1-2 P. 4A CAT. | | | | |
| 13 | F101020236 | VITE M14X 2X220 U5737 8.8 BR | SCREW M14X2X220 U5737 8.8 BR | VIS M14X2X220 U5737 8.8 BR | SCHRAUBE M14X2X220 U5737 8.8 | TORNILLO M14X2X220 U5737 8.8 |
| 14 | F01020328 | VITE M20X2,5X250 U5737 10.9 ZD | BOLT 20 X250 5737 10.9 GALVANI | VIS 20 X250 5737 10.9 ZN | SCHRAUBE 20 X250 5737 10.9 ZN | TORNILLO 20 X250 5737 10.9 ZN |
| 15 | F01020472 | VITE M10X 1,5X25 U5739 8.8 ZN | BOLT 10X25 5739 8.G GALVANIZED | VIS 10X25 5739 8.G ZN | SCHRAUBE 10X25 5739 8.G ZN | TORNILLO 10X25 5739 8.G ZN |
| 16 | F01230131 | DADO M20X 2,5 D982 6 ZN | NUT M20X 2,5 D982 6 ZB | ECRO.M20X 2,5 D982 6 ZB | MUTT.M20X 2,5 D982 6 ZB | TUER.M20X 2,5 D982 6 ZB |
| 17 | F01410124 | ROS.M20 21X 37X 3 U6592 ZN | PLANE WASHER D20 UNI 6592 ZN | RONDELLE D20 UNI 6592 ZN | SCHIEBE D20 UNI 6592 ZN | ARANDELLA D20 UNI 6592 ZN |
| 18 | F02200507 | SPINA SCATTO D. 9 B/83 ZN | SNAP PIN D 9 B/83 | FICHE A DETENTE D 9 B/83 | EINRASTSTIFT D 9 B/83 | CLAVIJA DE MUELLE D 9 B/83 |
| 19 | F20100062 | SPINA GASPARDO 25X128 ZN | FOR 3RD POINT | GOUJON 3EME POINT | BOLZEN 3. PUNKT | PERNO 3 PUNTO |
| 20 | G15910690 | PIASTRA DI SCONTRO | STRIKER PLATE | PLAQUE BUTEE | ANSCHLAGPLATTE | PLACA ELEMENTO DE EMPALME |
| 21 | G15910911 | | | | | |
| 22 | G16115871 | ASS.PUNTELLO | | | | |
| 23 | F01020130 | VITE M10X 1,5X90 U5737 8.8 ZN | BOLT M 10X90 | VIS M 10X90 | SCHRAUBE M 10X90 | TORNILLO M 10X90 |
| 24 | F01220033 | DADO M10X 1,5 D980 8 ZN | NUT M10X 1,5 D980 8 ZB | ECRO.M10X 1,5 D980 8 ZB | MUTT.M10X 1,5 D980 8 ZB | TUER.M10X 1,5 D980 8 ZB |
| 25 | G16610110 | TAPPO TELAI | COMPL. FRAME PLUG 150X100 B319 | BOUCHON CH-SSIS 150X100 COMPL. | PFROPFEN RAHMEN 150X100 KOMPL. | TAPÉN BASTIDOR 150X100 COMPL. |
| 26 | F02200246 | COPIGLIA 6X 45 U1336 ZN | SPLIT PIN 6 X45 1336 GALVAN. | GOUPILLE 6 X45 1336 ZN | SPLINT 6 X45 1336 ZN | PASADOR 6 X45 1336 ZN |
| 27 | F20100078 | PERNO D28 L93 C43 ZN | PIN D.28 | GOUJON D.28 | BOLZEN D.28 | PERNO D.28 |
| 28 | G15910390 | CASTELLO | SEEDER LINKAGE | FIXATION SEMOIR | KUPPLUNG S-MASCHINE | CONEXIÉN SEMBRADORA |
| 29 | F01410088 | ROS.M14 15X 28X2,5 U6592 ZN | WAS.M14 15X 28X2,5 U6592 ZB | RON.M14 15X 28X2,5 U6592 ZB | SCH.M14 15X 28X2,5 U6592 ZB | ARA.M14 15X 28X2,5 U6592 ZB |
| 30 | G16610070 | TUBO R.150X100X4200 | RECTANGULAR PIPE 150X100X4200 | TUBE RECT.150X100X4200 | R. ROHR150X100X4200 | TUBO RECT.150X100X4200 |
| 31 | F01200306 | DADO M14X 2 U5588 6.8 ZN | NUT M14X2 | ECROU M14X2 | MUTTER M14X2 | DADO M14X2 |
| 32 | G19204030 | SCONTRO FISS.150 2F D15 | | | | |
| 33 | F01020225 | VITE M14X 2X160 U5737 8.8 BR | BOLT M 14 X160 5737 8.G | VIS M 14 X160 5737 8.G | SCHRAUBE M 14 X160 5737 8.G | TORNILLO M 14 X160 5737 8.G |
| 34 | F01020514 | VITE M12X1,75X40 U5739 8.8 ZN | BOLT M12X1,75X40 | VIS M12X1,75X40 | SCHRAUBE M12X1,75X40 | TORNILLO M12X1,75X40 |
| 35 | F01410076 | ROS.M12 13X 24X2,5 U6592 ZN | PLANE WASHER D12 UNI 6592 ZN | RONDELLE D12 UNI 6592 ZN | SCHIEBE D12 UNI 6592 ZN | ARANDELA D12 UNI 6592 ZN |
| 36 | F01200293 | DADO M12X1,75 U5588 6.8 ZN | NUT M12 | ECROU M12 | MUTTER M12 | DADO M12 |
| 37 | F01200421 | DADO M12X1,75 U5589 6S ZN | NUT M12 | ECROU M12 | MUTTER M12 | DADO M12 |
| 38 | G67002020 | RINFORZO ROMPITRACCIA | ROWBRAKER REINFORC. | RENFORT EFFACEUR DE TRACES | VERST-RKUNG SPURLOCKERERZINKEN | REFUERZO ROMPETRAZAS |
| 39 | G67002019 | ROMPITRACCIA | TRACEBREAKER | BRIS. DE TRACES | SPURMESSER | ROMPEHUELLA |
| 40 | G15471612 | SUPPORTO ROMPITRACCIA Q.150 | ROW-BREAKER SUPPORT 150 | SUPPORT EFFACEUR DE TRACES 150 | HALTERUNG SPURAUFREISSER 150 | SOPORTE BORRAHUELLAS 150 |
| 41 | F20100120 | PERNO D45 L194 C40 ZN | | | | |
| 42 | F20100121 | PERNO D51 L184 C40 ZG | | | | |
| 43 | F02200584 | SPINA SICUR. D. 12X70 ZN | GALVAN. SAFETY PIN D.12X70 | GOUPILLE DE S+CURIT+ D.12X70 Z | SCHERSTIFT D.12X70 ZN | PASADOR DE SEGURIDAD D 12X70 Z |
| 44 | F20120400 | GANCIO SOSTEGNO CARDANO | SHAFT HOOK | SUPPORT CARDAN | GELENKWELLE - HACKEN | SOPORTE CARDAN |
| 45 | F01420060 | ROS.M10 10,5X 30X2,5 U6593 ZN | WASHER 10,5X30 | RONDELLE 10,5X30 | SCHIEBE 10,5X30 | ARANDELA 10,5X30 |
| 46 | F01230048 | DADO M10X 1,5 D982 8 ZN | NORM.SELF-LOCKING NUT 10 GALVA | ECROU AUTOB.NOR.10 ZN | SELBSTSP. MUTTER NOR. 10 ZN | TUERCA AUTOB. NOR. 10 ZN |
| 47 | F01020481 | VITE M10X 1,5X40 U5739 8.8 ZN | BOLT 10X40 5739 8.G GALVANIZED | VIS 10X40 5739 8.G ZN | SCHRAUBE 10X40 5739 8.G ZN | TORNILLO 10X40 5739 8.G ZN |
| 48 | G15410492 | PUNTELLO | PROP | +TR+SILLON | ST_TZE | PUNTAL |
| 49 | G15410471 | SUPP.PUNTELLO TEL.150 | PROP SUPPORT TEL.150 | SUPP. ETRESILLON TEL.150 | HALTERUNG RAHMENStTZE 150 | SOPORTE PUNTAL BASTIDOR 150 |



CARRELLO POSTERIORE

TAV. 020

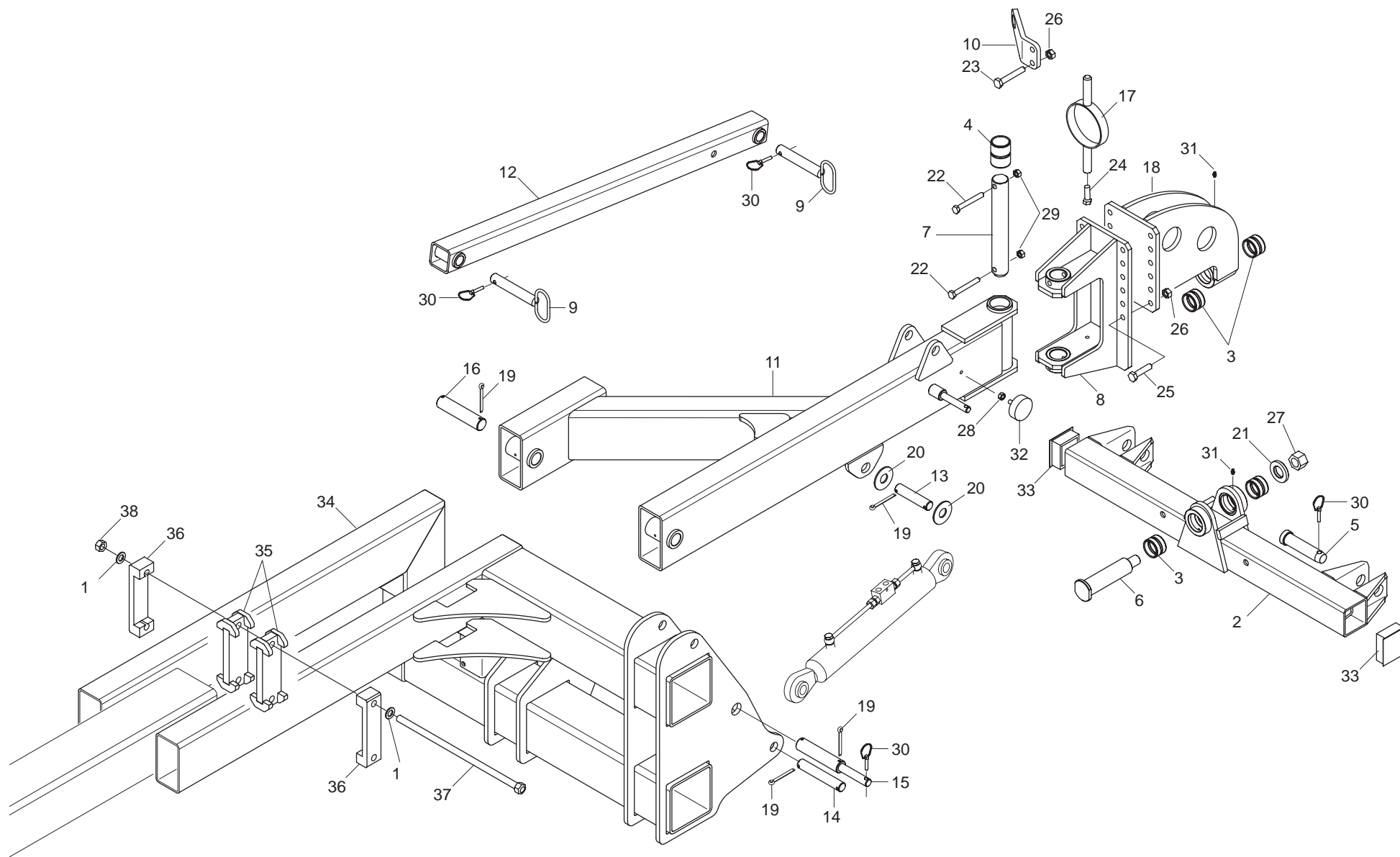
| Pos. | Cod. | Descrizione | Description | Description | Benennung | Description |
|------|-----------|---------------------------------|--------------------------------|--------------------------------|--------------------------------|--------------------------------|
| 1 | G14215302 | CILINDRO DE 40X80X335 | CYLINDER 40X80X335 | CYLINDRE 40X80X335 | ZYLINDER 40X80X335 | CILINDRO 40X80X335 |
| 2 | G15910071 | TRAVERSO | FRAME CROSS BEAM | TRAVERSE BATI | RAHMENQUERTRZGER | TRAVESA#O BASTIDOR |
| 3 | G15910130 | SCONTRIO 250X180-15 4F22 202 | STRIKER PLATE 250X180-15 4F22 | BUTEE 250X180-15 4F22 202 | ANSCHLAG 250X180-15 4F22 202 | ELEMENTO DE EMPALME 250X180-15 |
| 4 | G15910190 | DISTANZIALE TELAI | FRAME SPACER | ENTRETOISE BATI | DISTANZSTsCK RAHMEN | DISTANCIADOR BASTIDOR |
| 5 | G15910211 | BRACCIO RUOTA DX | WHEEL ARM-RIGHT | BRAS ROUE -DRT | RADARM- RE | BRAZO RUEDA -DER |
| 6 | G15910271 | BRACCIO RUOTA SX | WHEEL ARM-LEFT | BRAS ROUE-GCH | RADARM- LI | BRAZO RUEDA -IZQ |
| 7 | G15910450 | BARRA FISSAGGIO TRAVERSO | FRAME CROSS BEAM BAR FIXING | BARRE FIXATION TRAVERSE BATI | BEFESTIGUNGSTANGE RAHMENQUERTR | FIJACIN BARRA DE TRAVESA#O BAS |
| 8 | G15910580 | PIASTRA DI SCONTRIO | STRIKER PLATE | PLAQUE BUTEE | ANSCHLAGPLATTE | PLACA ELEMENTO DE EMPALME |
| 9 | G15910600 | SPINA ROTAZIONE BRACCIO R. | ROTATION PIN ARM | GOUPILLE ROTATION BRAS | ARM-ROTATIONSSTIFT | PASADOR ROTACI-N BRAZO |
| 10 | F20100113 | PERNO D36 L208 C40 ZN | PIN D36 L208 C40 | GOUJON D36 L208 C40 | BOLZEN D36 L208 C40 | PERNO D36 L208 C40 |
| 11 | G15910660 | SPINA INFERIORE CILINDRO | BOTTOM CYLINDER PIN | GOUPILLE INFERIEURE CYLINDRE | UNTERER STIFT ZYLINDER | CLAVIJA INFERIOR CILINDRO |
| 12 | G15910670 | SPINA SUPERIORE CILINDRO | TOP CYLINDER PIN | BROCHE SUPERIEURE CYLINDRE | OBERER ZYLINDERSTIFT | CLAVIJA SUPERIOR CILINDRO |
| 13 | G15911440 | DISTANZIALE TELAIO | FRAME SPACER | ENTRETOISE BATI | DISTANZSTsCK RAHMEN | DISTANCIADOR BASTIDOR |
| 14 | F01230131 | DADO M20X 2,5 D982 6 ZN | NUT M20X 2,5 D982 6 ZB | ECRO.M20X 2,5 D982 6 ZB | MUTT.M20X 2,5 D982 6 ZB | TUER.M20X 2,5 D982 6 ZB |
| 15 | F01230143 | DADO M24X 2 D982 8 ZN | NORMAL SELF-LOCK.NUT 24X2 GAL | ECROU AUTOB. NOR. 24X2 ZN | MUTTER AUTOB.NOR.24X2 ZN | TUERCA AUTOB. NOR.24X2 ZN |
| 16 | F01250052 | DADO COLON. 18X1,5 ZN | COLUMN NUT 18X1,5 STUD BOLT | ECROU 18X1,5 COLONNE | SCHRAUBBOLZENMUTTER 18X1,5 | TUERCA 18X1,5 COLUMNA |
| 17 | F01410124 | ROS.M20 21X 37X 3 U6592 ZN | PLANE WASHER D20 UNI 6592 ZN | RONDELLE D20 UNI 6592 ZN | SCHEIBE D20 UNI 6592 ZN | ARANDELLA D20 UNI 6592 ZN |
| 18 | F02200507 | SPINA SCATTO D. 9 B/83 ZN | SNAP PIN D 9 B/83 | FICHE A DETENTE D 9 B/83 | EINRASTSTIFT D 9 B/83 | CLAVIJA DE MUELLE D 9 B/83 |
| 19 | F02100144 | SPINA E.P. 8X 50 U6873 C70 BR | ELASTIC PIN 8X50 1481 | GOUJON ELASTIQUE 8X50 1481 | SPANNHUELSE 8X50 1481 | ESPINA ELASTICA 8X50 1481 |
| 20 | F01100011 | ING.M 6X1 7663-A 9SMNPB28 ZN | SPHERE NIPPLE M6X1/A | GRAISSEUR A BILLES M6X1/A | KUGELFETTBSCHSE M6X1/A | ENGRAS. DE ESFERAS M6X1/A |
| 21 | F06120084 | RUOTA COMPL.10.0/75-15.3 18PR> | | | | |
| 22 | F06120052 | CERCHIO 9.00 15.3 TLS RAL9001 | RING 9.00 15.3 TLS RAL9001 | JANTE 9.00 15.3 TLS RAL9001 | REIFEN 9.00 15.3 TLS RAL9001 | LLANTA 9.00 15.3 TLS RAL9001 |
| 23 | F20100063 | PERNO D25 L113 C40 ZN | PIN GASPARDO D25 L113 C40 | PIVOT GASPARDO D25 L113 C40 | BOLZEN GASPARDO D25 L113 C40 | PERNO GASPARDO D25 L113 C40 |
| 24 | G15910860 | PIASTRA DI SCONTRIO | STRIKER PLATE | PLAQUE BUTEE | ANSCHLAGPLATTE | PLACA ELEMENTO DE EMPALME |
| 25 | G15911131 | PIASTRA TIRANTE VERTICALE | TIE-ROD PLATE | PLAQUETTE TRINGLE | SPANNSTANGENPLATTE | PLACA TIRANTE |
| 26 | G15911160 | PIASTRA TIRANTE EQUILIB. | TIE-ROD PLATE | PLAQUETTE TRINGLE | SPANNSTANGENPLATTE | PLACA TIRANTE |
| 27 | G15911201 | BARRA TIRANTE VERTICALE ZN. | TIE-ROD BAR | BARRE TRINGLE | SPANNSTANGENPLATTE | BARRA TIRANTE |
| 28 | G20970077 | RONDELLA 54X5X26 | WASHER 54X5X26 | RONDELLE 54X5X26 | UNTERLEGSCHSHEIBE 54X5X26 | ARANDELA 54X5X26 |
| 29 | F01020328 | VITE M20X2,5X250 U5737 10.9 ZD | BOLT 20 X250 5737 10.9 GALVANI | VIS 20 X250 5737 10.9 ZN | SCHRAUBE 20 X250 5737 10.9 ZN | TORNILLO 20 X250 5737 10.9 ZN |
| 30 | F01200378 | DADO M24X 2 U5588 8.8 ZN | NUT 24X2 UNI 5588 8.8 GALVANIZ | ECROU 24X2 UNI 5588 8.8 ZN | MUTTER 24X2 UNI 5588 8.8 ZN | TUERCA 24X2 UNI 5588 8.8 ZN |
| 31 | F02200507 | SPINA SCATTO D. 9 B/83 ZN | SNAP PIN D 9 B/83 | FICHE A DETENTE D 9 B/83 | EINRASTSTIFT D 9 B/83 | CLAVIJA DE MUELLE D 9 B/83 |
| 32 | F02450016 | MART**M.L=1100 L= 850 D=25,4 ZG | CYLINDER L=1100 L850 D=25,4 ZB | CILINDRE L=1100 L=850 D25,4 ZB | ZYLINDER L=1100 L850 D=25,4 ZB | PISTON HYDR. L1100 L850 D=25,4 |
| 33 | F06120210 | COPERTURA 10.0/75-15.3 IM 18PR | COVERING 10.0/75-15.3 IM 18PR | COUVERTURE 10.0/75-15.3 IM 18P | MANTEL 10.0/75-15.3 IM 18PR | CUBIERTA 10.0/75-15.3 IM 18PR |



IMPIANTO OLEODINAMICO CARRELLO

TAV. 030

| Pos. | Cod. | Descrizione | Description | Description | Benennung | Descripcion |
|------|-----------|--------------------------------|--------------------------------|--------------------------------|--------------------------------|--------------------------------|
| 1 | F03151016 | GIUNZIONE INTERM.90° TN99-12L | JOINT 90° TN99-12L | JONCTION 90° TN99-12L | VERBINDUNG 90° TN99-12L | UNIN 90° TN99-12L |
| 2 | G15311551 | TUBO 3/8R2 F3/8-M1/2 L.2500 | PIPE 3/8R2 F3/8-M1/2 L.2500 | TUBE 3/8R2 F3/8-M1/2 L.2500 | ROHR 3/8R2 F3/8-M1/2 L.2500 | TUBO 3/8R2 F3/8-M1/2 L.2500 |
| 3 | G15910830 | TUBO 3/8R2 F3/8-EM12L 850 | PIPE 3/8R2 F3/8-EM12L 850 | TUBE 3/8R2 F3/8-EM12L 850 | ROHR 3/8R2 F3/8-EM12L 850 | TUBO 3/8R2 F3/8-EM12L 850 |
| 4 | G15911090 | TUBO 3/8R2 M3/8-EM12L 3200 | PIPE 3/8R2 M3/8-EM12L 3200 | TUBE 3/8R2 M3/8-EM12L 3200 | ROHR 3/8R2 M3/8-EM12L 3200 | TUBO 3/8R2 M3/8-EM12L 3200 |
| 5 | G15911100 | TUBO IN FERRO ZN. L=4900 | TUBE IRON L=4900 | TUBE FER L=4900 | ROHRE L=4900 | TUBO HIERRO L=4900 |
| 6 | G15911110 | TUBO IN FERRO ZN. L=55 | TUBE IRON L=55 | TUBE FER L=55 | ROHRE L=55 | TUBO HIERRO L=55 |
| 7 | G15911120 | TUBO IN FERRO ZN. L=490 | TUBE IRON L=490 | TUBE FER L=490 | ROHRE L=490 | TUBO HIERRO L=490 |
| 8 | G15911230 | TUBO IN FERRO ZN. L=440 | TUBE IRON L=440 | TUBE FER L=440 | ROHRE L=440 | TUBO HIERRO L=440 |
| 9 | G15911540 | TUBO CURVO IN FE ZN.L=1700 | PIPE- BENT L=1700 | TUBE CINTRE L=1700 | GEBOGENES ROHR L=1700 | TUBO CURVO L=1700 |
| 10 | F03150409 | NIPPLO MF CIL-CIL 3/8-1/4 ZN | NIPPLE GALVAN.CYL. 3/8 F-1/4ZN | NIPPLE MALE CYL. 3/8 F-1/4 ZN | NIPPELZYL.3/8 F-1/4 ZN | NIPLE MACHO CIL.3/8 F-1/4 ZN |
| 11 | G16114440 | TUBO 3/8R2 F3/8-EM12L 600 | TUBE 3/8R2 F3/8-EM12L 600 | TUYAU 3/8R2 F3/8-EM12L 600 | SCHLAUCH 3/8R2 F3/8-EM12L 600 | TUBO 3/8R2 F3/8-EM12L 600 |
| 12 | F01020077 | VITE M 8X1,25X60 U5737 8.8 ZN | BOLT M8X60 | VIS M8X60 | SCHRAUBE M8X60 | TORNILLO M8X60 |
| 13 | F03151240 | RONDELLA RAME 17X23X1,5 -3/8" | 3/8 COPPER WASHER | RONDELLE CUIVRE 3/8 | UNTERLEGSSCHEIBE KUPFER 3/8 | ARANDELA COBRE 3/8 |
| 14 | F01040064 | VITE M 6X 1X25 U5931 8.8 ZN | BOLT 6 X25 5931 8.G GALVANIZ. | VIS 6 X25 5931 8.G ZN | SCHRAUBE 6 X25 5931 8.G ZN | TORNILLO 6 X25 5931 8.G ZN |
| 15 | F03150321 | NIPPLO MM CIL-CIL 3/8-3/8 ZG | NIPPLE- GALVAN. CYLINDR.MALE- | NIPPLE MALE 3/8-MALE 3/8 | NIPPEL 3/8- 3/8 | NIPLE MACHO 3/8-MACHO 3/8 |
| 16 | F01220022 | DADO M 8X1,25 D980 8 ZN | SELF LOCKING NUT M8X1,25 980V | ECROU AUTOBL. M8X1,25 980-V | SELBSTSP.MUTT. M8X1,25 980-V | DADO AUTOBL. M8X1,25 980-V |
| 17 | F03150935 | INNESTO RAP.MASCH.1/2 A VALV. | QUICK CONNECT MALE CONE 1/2 CO | CONNEXION RAPIDE MALE CONE 1/2 | SCHNELLKUPPLUNG GEWINDE KONISC | ACOPLAMIENTO RAPIDO MACHO CONO |
| 18 | F03151240 | RONDELLA RAME 17X23X1,5 -3/8" | 3/8 COPPER WASHER | RONDELLE CUIVRE 3/8 | UNTERLEGSSCHEIBE KUPFER 3/8 | ARANDELA COBRE 3/8 |
| 19 | F03151237 | RONDELLA RAME 21X27X1,5 -1/2" | 1/2 COPPER WASHER | RONDELLE CUIVRE 1/2 | UNTERLEGSSCHEIBE KUPFER 1/2 | ARANDELA COBRE 1/2 |
| 20 | G16011700 | MONT.NIPPLO 1/4 GRANO F.1,5 | UPRIGHT 1/4" NIPPLE WITH GRUB | MONTANT NIPPLE 1/4 AVEC GRAIN | STZNDER NIPPEL 1/4 MIT STIFT 8 | MONT.NIPLE 1/4 TORNIL.SIN CABE |
| 21 | F03151238 | RONDELLA RAME 13X19X1,5 -1/4" | 1/4 COPPER WASHER | RONDELLE CUIVRE 1/4 | UNTERLEGSSCHEIBE KUPFER 1/4 | ARANDELA COBRE 1/4 |
| 22 | F03150310 | NIPPLO MM CIL-CIL 3/8-1/4 ZN | NIPPLE GALV.CYL.MALE3/8-1/4 ZN | NIPPLE MALE CYL.3/8-1/4 ZN | NIPPELZYL.3/8-1/4 ZN | NIPLE MACHO CIL.3/8-1/4 ZN |
| 23 | F03151226 | REGOL.DI FLUSSO VRF 1/4' GAS | 1/4' GAS VALVE VRF | SOUPEPE REG DEBIT VRF 1/4" GAZ | VENITL VRF 1/4' GAS | VæLVULA VRF 1/4' GAS |
| 24 | F03150589 | KIT VALVOLA DI BLOCCO 3/8 DE | PIL. BLOCK VALVE VBPDE38EC | SOUPEPE BLOC GUIDEE VBPDE38EC | GEST. SPERRVENTIL VBPDE38EC | VæLVULA BLOQUE PIL.VBPDE38EC |
| 25 | F03151146 | DIVISORE FLUSSO RIUNIF.3/8-24 | REUNITED FLOW DIVIDER 3/8-24 | DIVISEUR FLUX UNIF. 3/8-24 | FLUSSTEILER 3/8-24 | DIVISOR FLUJO REUNIF.3/8-24 |
| 26 | F03151223 | RACCORDO VITE CAVA 3/8 | UNION BOLT HOLLOW 3/8 | RACCORD VIS CREUSE 3/8 | ANSCHLUSS GEWINDEHOHLSCHR.3/8 | UNIN TORNILLO RANURA 3/8 R |
| 27 | F05150325 | CAPPuccio PROT.INNESTO RAP.1/2 | COVER 1/2 | COUVERCLE 1/2 | DECKEL 1/2 | TAPA 1/2 |
| 28 | F05150485 | SPIRALE PROTETTIVAD.44-50 | SPIRAL GUARD | SPIRALE PROTECTION | SPIRAL SCHUTZ | ESPIRAL PROTECIÉN |
| 29 | F03151136 | COLLARE A1-12 S | COLLAR A1-12 S | COLLIER A1-12 S | BUNDRING A1-12 S | ARGOLLA A1-12 S |
| 30 | F03151150 | GIUNZ.DIRITTA FIL.CIL.3/8-12LR | CHAIN JOINT 3/8-12LR | JONCTIONS CHAINE 3/8-12LR | KETTENVERBINDUNG 3/8-12LR | UNIONES CADENA 3/8-12LR |
| 31 | F03151152 | GIUNZIONE INTER.TEE 18X1,5-12L | JOINT TEE 18X1,5-12L | JONCTION TEE 18X1,5-12L | VERBINDUNG TEE 18X1,5-12L | UNIN TEE 18X1,5-12L |
| 32 | F03151015 | COMBINAZIONE 90° TN 119-12L | COMBINED 90° TN 119-12L | COMBINAISON 90° TN 119-12L | KOMBINATION 90° TN 119-12L | COMBINADA 90° TN 119-12L |
| 33 | F03151141 | DADO TENUTA TN 81-12L | SEALING NUT TN 81-12L | ECROU D'ETANCHEITE TN 81-12L | DICHTUNGSMUTTER TN 81-12L | TUERCA AISLADOR TN 81-12L |
| 34 | F03151131 | ANELLO OGIVA 10 TN 88-12LS | RING 10 TN 88-12LS | BAGUE 10 TN 88-12LS | RING 10 TN 88-12LS | ANILLO 10 TN 88-12LS |
| 35 | F03150575 | VALVOLA A SFERA G1/2 F-F PN500 | BALL VALVE 1/2 F-F | VANNE + BILLE 1/2 F-F | KUGELVENTIL 1/2 F-F | V-LVULA DE ESFERA 1/2 F-F |
| 36 | F03150255 | NIPPLO MASCH.CIL.1/2-1/2 ZN | NIPLE 1/2"GAS | NIPLE 1/2"GAS | NIPLE 1/2"GAS | NIPLE 1/2"GAS |

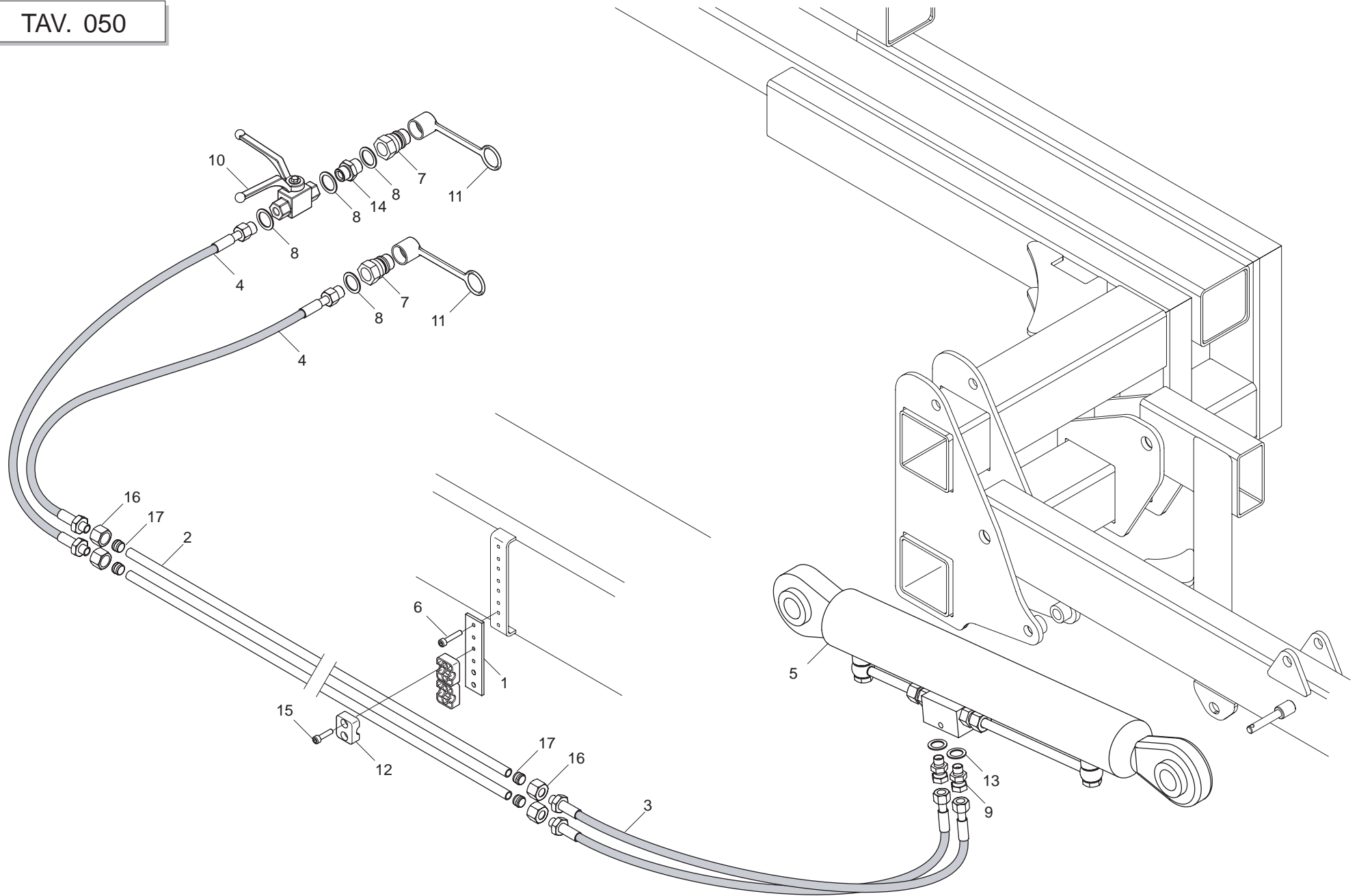


TIMONE

TAV. 040

| Pos. | Cod. | Descrizione | Description | Description | Benennung | Descripcion |
|------|-----------|---------------------------------|--------------------------------|--------------------------------|--------------------------------|--------------------------------|
| 1 | F01410124 | ROS.M20 21X 37X 3 U6592 ZN | PLANE WASHER D20 UNI 6592 ZN | RONDELLE D20 UNI 6592 ZN | SCHEIBE D20 UNI 6592 ZN | ARANDELLA D20 UNI 6592 ZN |
| 2 | G15315871 | ATTACCO 1-2 PUNTO DP | 1.-2. POINT COUPLING DP | FIXATION 1.-2. POINT DP | KUPPLUNG 1. - 2. PUNKT DP | CONEXIN 1. - 2. PUNTO DP O |
| 3 | G15315980 | BOCCOLA 50X60X40 | BUSHING 50X60X40 | BOITE 50X60X40 | BsCHSE 50X60X40 | CASQUILLO 50X60X40 |
| 4 | G15315990 | BOCCOLA 50X60X80 | BUSHING 50X60X80 | BOITE 50X60X80 | BsCHSE 50X60X80 | CASQUILLO 50X60X80 |
| 5 | F20100112 | PERNO D36 L128 C43 ZN | GASPARDO PIN 36X134 ZG | BROCHE GASPARDO 36X134 ZG | STIFT GASPARDO 36X134 ZG | CLAVIJA GASPARDO 36X134 ZG |
| 6 | G15316240 | SPINA ANT.ATTACCO 1°-2°PUNTO | FRONT PIN 1.-2. PT. FIXING | GOUP. ANT.FIX. 1ER-2E POINT V | ORDERSTIFT ANSCHL. 1.-2. PUNKC | LAVIJA DEL.CONEXIN 1.-2.PUNTSP |
| 7 | G15317820 | SPINA 50X355 | BOLT 50X355 | GOUPILLE 50X355 | STIFT 50X355 | PASADOR 50X355 |
| 8 | G15317840 | SNODO TIMONE | DRAWBAR JOINT | ARTICULATION TIMON | DEICHSELGELENK | ARTICULACIN TIMÉN |
| 9 | G15910790 | SPINA FERMO TIRANTE TIMONE | STOP TIE ROD PIN | GOUPILLE D'ARRET RINGLE | FESTSTELLSTIFT | CLAVIJA TOPE TIRANTE |
| 10 | G15911061 | AGGANCIO TIMONE | DRAWBAR COUPLER | ATTELAGE TIMON | DEICHSELKUPPLUNG | ENGANCHE TIMÉN |
| 11 | G15911300 | TIMONE MAESTRA | DRAWBAR | TIMON | DEICHSEL | TIMÉN |
| 12 | G15911360 | TIRANTE RINFORZO | REINFORCING TIE-ROD | TRIGLE DE RENFORCEMENT | VERSTZRKUNGS SPANNSTANGE | TIRANTE DE REFUERZO |
| 13 | G15911390 | SPINA SUP.PISTONE TIMONE ZN. | BOTTOM CYLINDER PIN | GOUPILLE INFERIEURE CYLINDRE | UNTERER STIFT ZYLINDER | CLAVIJA INFERIOR CILINDRO |
| 14 | G15911400 | SPINA INF.PISTONE TIMONE ZN. | TOP CYLINDER PIN | BROCHE SUPERIEURE CYLINDRE | OBERER ZYLINDERSTIFT | CLAVIJA SUPERIOR CILINDRO |
| 15 | G15911420 | SPINA APPOGGIO TUBO TIR.ZN. | PIN REST | REPOSE BROCHE | SPURREISSERENAUFCLAGE | CLAVIJA APOYO MARCADOR DE FILA |
| 16 | G15911430 | SPINA ROTAZIONE TIMONE ZN. | ROTATION PIN DRAWBAR | GOUPILLE ROTATION TIMON | STIFT-ROTATIONSSTIFT | CLAVIJA ROTACI-N TIMÉN |
| 17 | G16111680 | SUPPORTO TUBI E MOLTIPLICATORE | OVERGEAR AND PIPE SUPPORT | SUPPORT TUBES ET MULTIPLIcateU | sBERSETZER UND ROHRHALTERUNG | SOPORTE TUBOS Y MULTIPLICADOR |
| 18 | G16112750 | SUPPORTO REGOL.1-2 PUNTO | 1-2 POINT ADJUST. SUPPORT | SUPPORT REGLAGE 1-2 POINT | EINSTELLERHALTERUNG 1-2 PUNKT | SOPORTE REGULAC. 1-2 PUNTO |
| 19 | F02200246 | COPIGLIA 6X 45 U1336 ZN | SPLIT PIN 6 X45 1336 GALVAN. | GOUPILLE 6 X45 1336 ZN | SPLINT 6 X45 1336 ZN | PASADOR 6 X45 1336 ZN |
| 20 | G18701580 | RONDELLA 30,5 X76 X4 | WASHER 30.5 X 76 X 6 | RONDELLE 30-5 X78 X6 | UNTERLEGSSCHEIBE 30-5 X78 X6 | ARANDELA 30-5 X78 X6 |
| 21 | G18701810 | RONDELLA 38X70X10 | WASHER 38X70X10 | RONDELLE 38X70X10 | UNTERLEGSSCHEIBE 38X70X10 | ARANDELA 38X70X10 |
| 22 | F01020212 | VITE M14X 2X 90 U5737 8.8 ZN | BOLT 14X90 5737 8.G GALVANIZ. | VIS 14X90 5737 8.G ZN | SCHRAUBE 14X90 5737 8.G ZN | TORNILLO 14X90 5737 8.G ZN |
| 23 | F01020260 | VITE M16X 2X 70 U5737 8.8 ZN | BOLT M16X2X70 U5737 8.8 ZG | VIS M16X2X70 U5737 8.8 ZG | SCHRAUBE M16X2X70 U5737 8.8 ZG | TORNILLO M16X2X70 U5737 8.8 ZG |
| 24 | F01020479 | VITE M10X 1,5X35 U5739 8.8 ZN | BOLT M 10X35 | VIS M 10X35 | SCHRAUBE M 10X35 | TORNILLO M 10X35 |
| 25 | F01020254 | VITE M16X 2X 55 U5737 10.9 ZD | SCREW 16X55 5737 8.G ZN | VIS 16X55 5737 8.G ZN | SCHRAUBE 16X55 5737 8.G ZN | TORNILLO 16X55 5737 8.G ZN |
| 26 | F01230085 | DADO M16X 2 D982 8 ZN | NUT M16X 2 D982 8 ZB | ECROU M16X 2 D982 8 ZB | MUTT.M16X 2 D982 8 ZB | TUER.M16X 2 D982 8 ZB |
| 27 | F01230156 | DADO M30X 2 D982 8 ZN | SELF LOCKING NUT M30X2 | ECROU AUTOBL. M30X2 | SELBSTSP.MUTT.M30X2 | DADO AUTOBL. M30X2 |
| 28 | F01200293 | DADO M12X1,75 U5588 6.8 ZN. | NUT M12 | ECROU M12 | MUTTER M12 | DADO M12 |
| 29 | F01220255 | DADO M14X 2 D980 8 ZN | NUT- TRISTOP M14 | ECROU TRISTOP M14 | MUTTER TRISTOP M14 | TUERCA TRISTOP M14 |
| 30 | F02200507 | SPINA SCATTO D. 9 B/83 ZN | SNAP PIN D 9 B/83 | FICHE A DETENTE D 9 B/83 | EINRASTSTIFT D 9 B/83 | CLAVIJA DE MUELLE D 9 B/83 |
| 31 | F01100011 | ING.M 6X1 7663-A 9SMNPB28 ZN | SPHERE NIPPLE M6X1/A | GRAISSEUR A BILLES M6X1/A | KUGELFETTBSCHSE M6X1/A | ENGRAS. DE ESFERAS M6X1/A |
| 32 | F05150459 | PARACOLPI CIL.75X25 M12 SH70 | RUBBER BUFFER- CYLINDR. 75X25 | PARE-CHOCS CYL. 75X25 M12 7811 | PUFFER ZYL.75X25 M12 781103 | PARAGOLPES CIL.75X25 M12 78110 |
| 33 | F03150772 | TAPPO X TUBO 100X100 SP.5-6 | PROTECTION PLUG 100 SP.5-6 | BOUCHON DE PROTECTION 100 SP.5 | SCHUTZPFROPFEN 100 SP.5-6 | TAPN DE PROTECCIN 100 SP.5-6 |
| 34 | G15910470 | ATTACCO TIMONE | DRAWBAR HITCH | ATTELAGE TIMON | DEICHSELANSCHLUSS | UNIÉN TIMÉN |
| 35 | G15910540 | SCONTRIO INT.ATTACCO TIMONE | STRIKER PLATE DRAWBAR COUPLING | BUTEE FIXATION TIMON | ANSCHLAG DEICHSELKUPPLUNG | ELEMENTO DE EMPALME CONEXIN TI |
| 36 | G15910570 | SCONTRIO ESTERNO ATTACCO TIMONE | STRIKER INNER PLATE DRAWBAR CO | BUTEE INT. FIXATION TIMON | INNERER ANSCHLAG DEICHSELKUPPL | ELEMENTO EMPALME INTER. CONEX. |
| 37 | G15911180 | BARRA ATTACCO TIMONE ZN | DRAWBAR COUPLING BAR | BARRE FIXATION TIMON | VERBINDUNGSPLATTE-DEICHSEL | BARRA CONEXIN TIMÉN |
| 38 | F01230131 | DADO M20X 2,5 D982 6 ZN | NUT M20X 2,5 D982 6 ZB | ECRO.M20X 2,5 D982 6 ZB | MUTT.M20X 2,5 D982 6 ZB | TUER.M20X 2,5 D982 6 ZB |

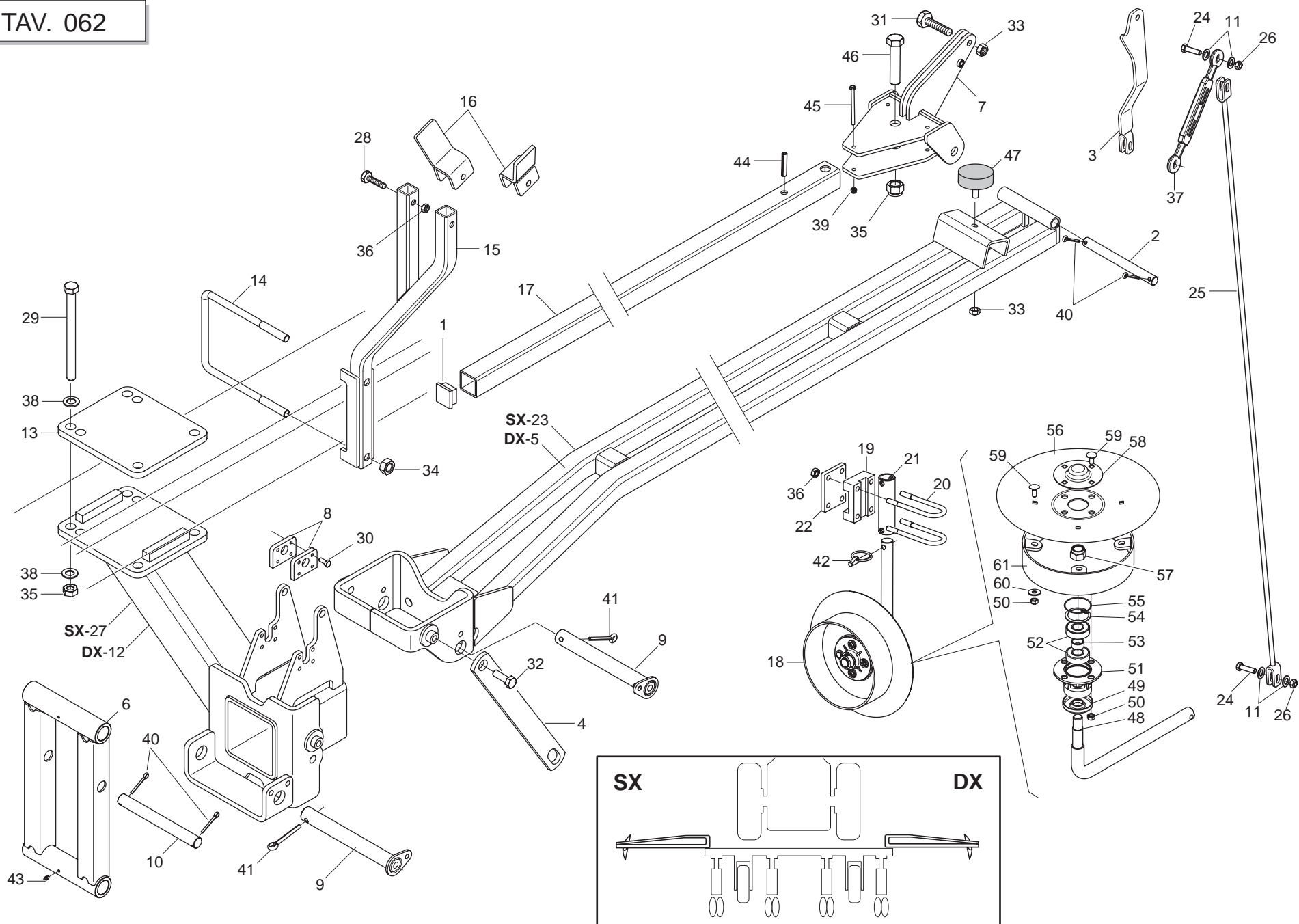
TAV. 050



IMPIANTO OLEODINAMICO TIMONE

TAV. 050

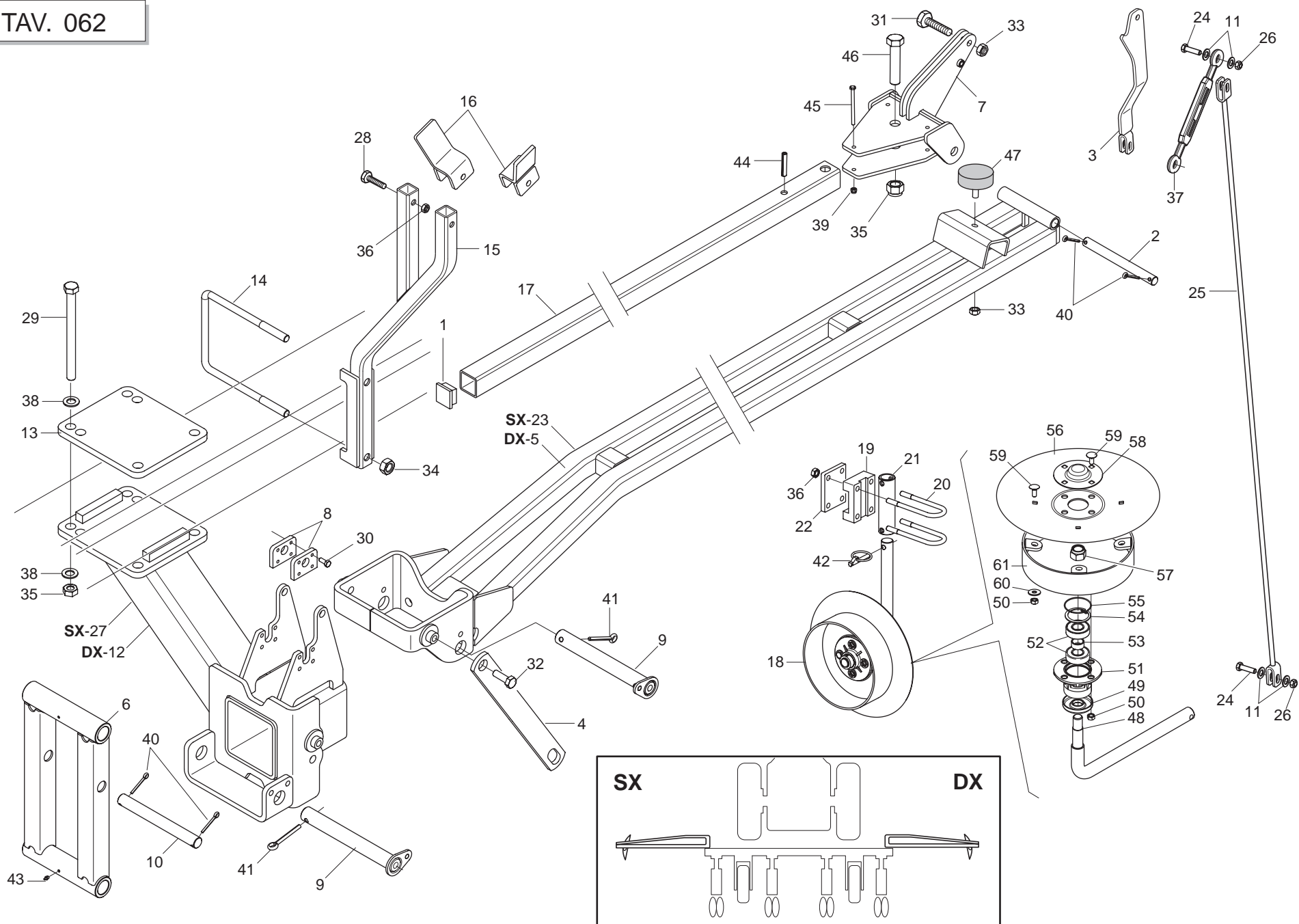
| Pos. | Cod. | Descrizione | Description | Description | Benennung | Descripcion |
|------|-----------|--------------------------------|--------------------------------|--------------------------------|--------------------------------|--------------------------------|
| 1 | G15910820 | PIASTRINA FISSAGGIO TUBI FERRO | SECURING PLATE | PLAQUE FIXATION | BEFESTIGUNGSPLATTE | PLACA FIJACI-N |
| 2 | G15911070 | TUBO IN FERRO ZN. L=2500 | TUBE IRON L=2500 | TUBE FER L=2500 | ROHRE L=2500 | TUBO HIERRO L=2500 |
| 3 | G15911090 | TUBO 3/8R2 M3/8-EM12L 3200 | PIPE 3/8R2 M3/8-EM12L 3200 | TUBE 3/8R2 M3/8-EM12L 3200 | ROHR 3/8R2 M3/8-EM12L 3200 | TUBO 3/8R2 M3/8-EM12L 3200 |
| 4 | G16114400 | TUBO 3/8R2 M1/2-EM12L 2400 | PIPE 3/8R2 M1/2-EM12L 2400 | TUBE 3/8R2 M1/2-EM12L 2400 | ROHR 3/8R2 M1/2-EM12L 2400 | TUBO 3/8R2 M1/2-EM12L 2400 |
| 5 | R17014200 | CILINDRO DE 40X70-380 | CYLINDER 40X70-380 | CYLINDRE 40X70-380 | ZYLINDER 40X70-380 | CILINDRO 40X70-380 |
| 6 | F01040066 | VITE M 6X 1X35 U5931 8.8 ZN | BOLT 6 X35 5931 8.G GALVANIZ. | VIS 6 X35 5931 8.G ZN | SCHRAUBE 6 X35 5931 8.G ZN | TORNILLO 6 X35 5931 8.G ZN |
| 7 | F03150935 | INNESTO RAP.MASCH.1/2 A VALV. | QUICK CONNECT MALE CONE 1/2 CO | CONNEXION RAPIDE MALE CONE 1/2 | SCHNELLKUPPLUNG GEWINDE KONISC | ACOPLAMIENTO RAPIDO MACHO CONO |
| 8 | F03151237 | RONDELLA RAME 21X27X1,5 -1/2" | 1/2 COPPER WASHER | RONDELLE CUIVRE 1/2 | UNTERLEGSSCHEIBE KUPFER 1/2 | ARANDELA COBRE 1/2 |
| 9 | F03150067 | NIPPLO MF GIREVOLE 3/8 ZG CIL | NIPPLE M-F SWIVEL 3/8 ZINC. | NIPPLE M-F TOURNANT 3/8 ZING. | NIPPEL M-F DREHBAR 3/8 VERZINK | NIPLE M-H GIRATORIO 3/8 CINC. |
| 10 | F03150575 | VALVOLA A SFERA G1/2 F-F PN500 | BALL VALVE 1/2 F-F | VANNE + BILLE 1/2 F-F | KUGELVENTIL 1/2 F-F | V-LVULA DE ESFERA 1/2 F-F |
| 11 | F05150325 | CAPPUCCIO PROT.INNESTO RAP.1/2 | COVER 1/2 | COUVERCLE 1/2 | DECKEL 1/2 | TAPA 1/2 |
| 12 | F03151136 | COLLARE A1-12 S | COLLAR A1-12 S | COLLIER A1-12 S | BUNDRING A1-12 S | ARGOLLA A1-12 S |
| 13 | F03151240 | RONDELLA RAME 17X23X1,5 -3/8" | 3/8 COPPER WASHER | RONDELLE CUIVRE 3/8 | UNTERLEGSSCHEIBE KUPFER 3/8 | ARANDELA COBRE 3/8 |
| 14 | F03150255 | NIPPLO MASCH.CIL.1/2-1/2 ZN | NIPLE 1/2"GAS | NIPL 1/2"GAS | NIPLE 1/2"GAS | NIPLE 1/2"GAS |
| 15 | F01040064 | VITE M 6X 1X25 U5931 8.8 ZN | BOLT 6 X25 5931 8.G GALVANIZ. | VIS 6 X25 5931 8.G ZN | SCHRAUBE 6 X25 5931 8.G ZN | TORNILLO 6 X25 5931 8.G ZN |
| 16 | F03151141 | DADO TENUTA TN 81-12L | SEALING NUT TN 81-12L | ECROU D'ETANCHEITE TN 81-12L | DICHTUNGSMUTTER TN 81-12L | TUERCA AISLADOR TN 81-12L |
| 17 | F03151131 | ANELLO OGIVA 10 TN 88-12LS | RING 10 TN 88-12LS | BAGUE 10 TN 88-12LS | RING 10 TN 88-12LS | ANILLO 10 TN 88-12LS |



SEGNAFILE

TAV. 062

| Pos. | Cod. | Descrizione | Description | Description | Benennung | Descripcion |
|------|-----------|--------------------------------|--------------------------------|--------------------------------|--------------------------------|--------------------------------|
| 1 | F20120349 | PUNTALE Q.50 ALETT.POLIT.NERO | | | | |
| 2 | G14215850 | SPINA 20 X194 ZN | GALVANIZED PIN 20 X194 | GOUPILLE 20 X194 ZN | STIFT 20 X194 ZN | CLAVIJA 20 X194 ZN |
| 3 | G14219361 | ASSIEME PIASTRA | | | | |
| 4 | G14217751 | TIRANTE ROTAZIONE | ROTATION TIE ROD | TRINGLE ROTATION | ROTATIONS SPANNSTANGE | TIRANTE ROTACIËN |
| 5 | G14217923 | ASS.2° BRACCIO SEGNAFILE DX. | | | | |
| 6 | G14217981 | BRACCIO SPINTA SI/MTI | PRESS. ARM | POUSSEE BRAS | ARMSCHUB | APRIETE BRAZO |
| 7 | G14219230 | TESTA TERZO BRACCIO | ARM COUPLING | FIXATION BRAS | ARMKUPPLUNG | CONEXIËN BRAZO |
| 8 | G14218150 | PIASTRINA FISSAGGIO CILINDRO | SECURING PLATE | PLAQUE FIXATION | BEFESTIGUNGSPLATTE | PLACA FIJACI-N |
| 9 | G14218190 | SPINA ROTAZIONE ZN | ROTATION PIN ZN | GOUPILLE ROTATION ZN | ROTATIONSSTIFT ZN | PASADOR ROTACIËN ZN |
| 10 | G14218200 | SPINA DI SPINTA ZN | PRESS. PIN | POUSSEE BROCHE | STIFTSCHUB | APRIETE CLAVIJA |
| 11 | G20970105 | RONDELLA 27X2X14,5 | WASHER 27X2X14-5 | RONDELLE 27X2X14-5 | UNTERLEGSCHLEIBE 27X2X14-5 | ARANDELA 27X2X14-5 |
| 12 | G15910683 | ASS.SUPPORTO DX SEGNAFILE | | | | |
| 13 | G15910690 | PIASTRA DI SCONTRO | STRIKER PLATE | PLAQUE BUTEE | ANSCHLAGPLATTE | PLACA ELEMENTO DE EMPALME |
| 14 | F20110830 | CAV.Q.M16X 2X 75 195X238 ZN | U BOLT M16X195- 238 ZN | CAVALIER M16X195- 238 ZN | VERBINDUNG M16X195- 238 ZN | PERNO EN U M16X195- 238 ZN |
| 15 | G15910960 | APOGGIO SEGNAFILE | ROWMARKER REST | REPOSE TRACEUR | SPURREISSENERAUFCLAGE | APOYO MARCADOR DE FILAS |
| 16 | G15911000 | SOSTEGNO GIREVOLE SEGNAF. | SUPPORTING ROWMARKER | TRACEUR SUPPORT | ST_TZSPURREISSEUR | APOYO MARCADOR DE FILAS |
| 17 | G14219250 | TUBO 3° BRACCIO | | | | |
| 18 | G15911472 | MONT.DISCO D.320 LIM. MAESTRA | | | | |
| 19 | G16912470 | SCONTRO FISS.MANICOTTO TQ.50 | STRIKER PLATE SLEEVE | BUTEE MANCHON | ANSCHLAG MUFFE | ELEMENTO DE EMPALME MANGUITO |
| 20 | F20110860 | CAV.T.M10X 1,5X 30 46X128,5ZN | U BOLT M10X46 ZN | CAVALIER M10X46 ZN | VERBINDUNG M10X46 ZN | PERNO EN U M10X46 ZN |
| 21 | G17111290 | MANICOTTO DISCO | DISC COUPLING SLEEVE | MANCHON DISQUE | SCHIEBENMUFFE | MANGUITO DISCO |
| 22 | G17111330 | SCONTRO 90X70 -10 4F11 66X46 | STOP TEETH 90X70 -10 4F11 66X4 | BUT+E 90X70 -10 4TROUS 11 66X4 | ANSCHLAG 90X70 -10 4F11 66X46 | DIENTE DE PARADA 90X70 -10 4F1 |
| 23 | G15910743 | ASS.2° BRACCIO SEGNAFILE SX | | | | |
| 24 | F01020516 | VITE M12X1,75X45 U5739 8.8 ZN | BOLT M 12X45 | VIS M 12X45 | SCHRAUBE M 12X45 | TORNILLO M 12X45 |
| 25 | G17111990 | FORCELLA TIRANTE | | | | |
| 26 | F01230058 | DADO M12X1,25 D982 8 ZN | SELF LOCKING NUT M12X1,25 | ECROU AUTOBL. M12X1,25 | SELBSTSPERR.MUTTER M12X1,25 | DADO AUTOBL. M12X1,25 |
| 27 | G15910733 | ASS.SUPPORTO SX SEGNAFILE | | | | |
| 28 | F01060081 | BUL.M10X 1,5X 60 U5732 4.6 ZN | BOLT 10X60 5732 4.6- GALVANIZ | VIS 10X60 5732 4.6 ZN | SCHRAUBE 10X60 5732 4.6 ZN | TORNILLO 10x60 5732 4 6 ZN |
| 29 | F01020328 | VITE M20X2,5X250 U5737 10.9 ZD | BOLT 20 X250 5737 10.9 GALVANI | VIS 20 X250 5737 10.9 ZN | SCHRAUBE 20 X250 5737 10.9 ZN | TORNILLO 20 X250 5737 10.9 ZN |
| 30 | F01020436 | VITE M 8X1,25X 20 U5739 8.8 ZN | BOLT M 8X20 | VIS M 8X20 | SCHRAUBE M 8X20 | TORNILLO M 8X20 |
| 31 | F01020514 | VITE M12X1,75X40 U5739 8.8 ZN | BOLT M12X1,75X40 | VIS M12X1,75X40 | SCHRAUBE M12X1,75X40 | TORNILLO M12X1,75X40 |
| 32 | F01020568 | VITE M16X 2X45 U5739 8.8 ZN | BOLT M 16X 2X45 U5739 8.8 ZG | VIS M 16X 2X45 U5739 8.8 ZG | SCHRAUBE M 16X 2X45 U5739 8.8 | TORNILLO M16X 2X45 U5739 8.8 |
| 33 | F01230059 | DADO M12X1,75 D982 8 ZN | NUT M12X1,75 D982 8 ZB | ECRO.M12X1,75 D982 8 ZB | MUTT.M12X1,75 D982 8 ZB | TUER.M12X1,75 D982 8 ZB |
| 34 | F01230085 | DADO M16X 2 D982 8 ZN | NUT M16X 2 D982 8 ZB | ECROU M16X 2 D982 8 ZB | MUTT.M16X 2 D982 8 ZB | TUER.M16X 2 D982 8 ZB |
| 35 | F01230131 | DADO M20X 2,5 D982 6 ZN | NUT M20X 2,5 D982 6 ZB | ECRO.M20X 2,5 D982 6 ZB | MUTT.M20X 2,5 D982 6 ZB | TUER.M20X 2,5 D982 6 ZB |
| 36 | F01200270 | DADO M10X 1,5 U5588 6.8 ZN | NUT M10 | ECROU M10 | MUTTER M10 | DADO M10 |
| 37 | F02250708 | TIRANTE 2 OCCHI M12 ZN | TIE-ROD 2-EYES M12 GALVANIZED | TRINGLE 2 OEILS M12 ZN | 2-SEN-ZUGSTANGE M12 ZN | TIRANTE 2 OJOS M12 ZN |
| 38 | F01410124 | ROS.M20 21X 37X 3 U6592 ZN | PLANE WASHER D20 UNI 6592 ZN | RONDELLE D20 UNI 6592 ZN | SCHLEIBE D20 UNI 6592 ZN | ARANDELLA D20 UNI 6592 ZN |
| 39 | F01230034 | DADO M 8X1,25 D982 8 | SELF LOCKING NUT M8X1,25 | ECROU AUTOBL. M8X1,25 | SELBSTSP.MUTT. M8X1,25 | DADO AUTOBL. M8X1,25 |
| 40 | F02200229 | COPIGLIA 5X 45 U1336 ZN | SPLIT PIN 5 X45 1336 GALVAN. | GOUPILLE 5 X45 1336 ZN | SPLINT 5 X45 1336 ZN | PASADOR 5 X45 1336 ZN |
| 41 | F02200260 | COPIGLIA 8X 60 U1336 ZN | SPLIT PIN 8 X60 1336 GALVAN. | GOUPILLE 8 X60 1336 ZN | SPLINT 8 X60 1336 ZN | PASADOR 8 X60 1336 ZN |
| 42 | F02200507 | SPINA SCATTO D. 9 B/83 ZN | SNAP PIN D 9 B/83 | FICHE A DETENTE D 9 B/83 | EINRASTSTIFT D 9 B/83 | CLAVIJA DE MUELLE D 9 B/83 |
| 43 | F01100011 | ING.M 6X1 7663-A 9SMNPB28 ZN | SPHERE NIPPLE M6X1/A | GRAISSEUR A BILLES M6X1/A | KUGELFETTBSCHSE M6X1/A | ENGRAS. DE ESFERAS M6X1/A |
| 44 | F02100197 | SPINA E.P. 14X 50 U6873 C70 BR | PIN E.P. 14X 50 U6873 C70 BR | GOUPILLE E.P. 14X50 U6873 C70 | SPANNSTIFT E.P.,14X50 6873 C70 | 0 |
| 45 | F01020086 | VITE M 8X1,25X80 U5737 8.8 ZN | BOLT M8X1X80 | VIS M8X1X80 | SCHRAUBE M8X1X80 | TORNILLO M8X1X80 |
| 46 | F01020312 | VITE M20X2,5X100 U5737 8.8 ZN | BOLT 20X100 5737 8.G GALVANIZ. | VIS 20X100 5737 8.G ZN | SCHRAUBE 20X100 5737 8.G ZN | TORNILLO 20X100 5737 8.G ZN |
| 47 | F05150459 | PARACOLPI CIL.75X25 M12 SH70 | RUBBER BUFFER- CYLINDR. 75X25 | PARE-CHOCs CYL. 75X25 M12 7811 | PUFFER ZYL.75X25 M12 781103 | PARAGOLPES CIL.75X25 M12 78110 |
| 48 | G15911480 | PERNO REGGIDISCO SEGNAFILE | ROWMAKER DISC-HOLDER PIN | PIVOT PORTE-DISQUE TRACEUR | SCHLEIBENTRAGBOLZEN | PERNO SOPORTE DISCO MARCAFILA |
| 49 | G18802790 | BOCCOLA 25 X20 X7 ZN B. | BUSHING 25 X20 X7 ZN B. | BOITE 25 X20 X7 ZN B. | B_CHSE 25 X20 X7 ZN B. | CASQUILLO 25 X20 X7 ZN B |
| 50 | F01200244 | DADO M 8X1,25 U5588 6.8 ZN | NUT M8 | ECROU M8 | MUTTER M8 | DADO M8 |
| 51 | G16610160 | SUPP.CUSCINETTI DISCO SEGN.ZN. | GALVAN. ROWMAKER DISK BEARING | SUPPORT ROULEMENTS DISQUE TRAC | SCHLEIBENLAGERHALTERUNG | SOPORTE COJINETE DE DISCO MARC |
| 52 | F04010156 | CUSC.d20 D47 B14 6204 2RSH | | | | |
| 53 | G18801270 | BOCCOLA 21 X25 X12 ZN | BUSHING 21 X 25 X 12 ZN | BOITE 21 X25 X12 ZN | BsCHSE 21 X25 X12 ZN | CASQUILLO 21 X25 X12 ZN |
| 54 | F02050370 | ANELLO E. DI 47X1,75 U7437 C70 | SEEGER RING 47X 1,75 U7437 C70 | SEEGER E. 47X 1,75 U7437 C70 | SEEGERING E. 47X1,75 U7437 C70 | ANILLO E. 47X 1,75 U7437 C70 |
| 55 | F03010576 | ANELLO OR 50,52X1,78 NBR | GASKET OR 033 DOWTY | BAGUE OR 033 DOWTY | RING OR 033 DOWTY | ANILLO OR 033 DOWTY |

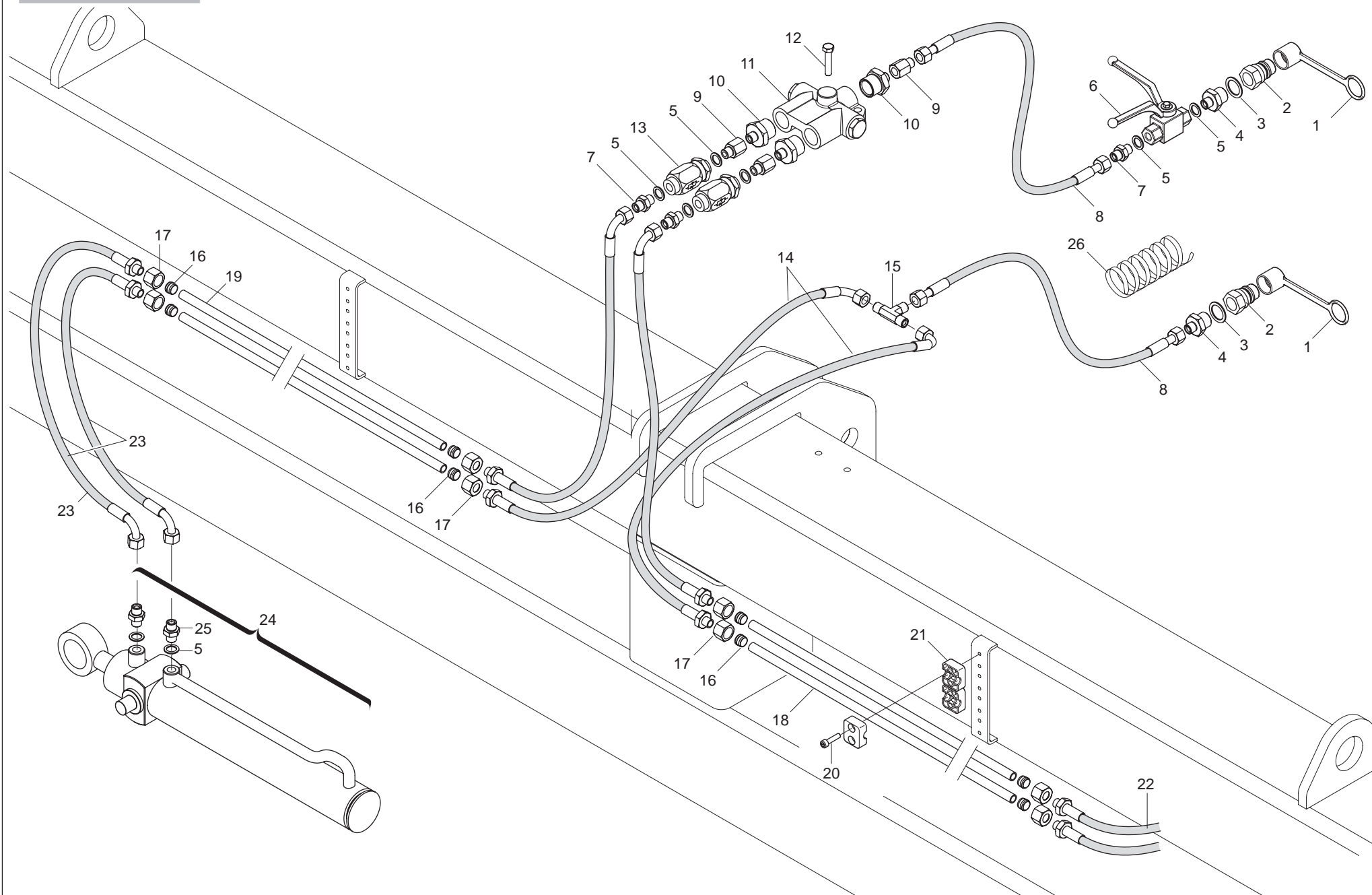


SEGNAFILE

TAV. 062

| Pos. | Cod. | Descrizione | Description | Description | Benennung | Descripcion |
|------|-----------|-------------------------------|--------------------------------|--------------------------------|----------------------------|--------------------------------|
| 56 | G16610170 | DISCO SEGNAFILE D.320 | ROW MARKER DISK D.320 | DISQUE TRACEUR D320 | SPURREISSERSCHEIBE D. 320 | DISCO MARCARDOR DE FILAS O 320 |
| 57 | F01230098 | DADO M18X 2,5 D982 8 ZN | NUT M18X 2,5 D982 8 ZB | ECRO.M18X 2,5 D982 8 ZB | MUTT.M18X 2,5 D982 8 ZB | TUER.M18X 2,5 D982 8 ZB |
| 58 | G16610190 | CHIUSURA CUSCINETTO ZN | GALVAN. BEARING CLOSURE | FERMETURE ROULEMENT ZN | LAGERVERSCHLUSS ZN | CIERRE COJINETE ZN |
| 59 | F01060040 | BUL.M 8X1,25X 20 U5732 4.6 ZG | BOLT 8 X20 5732 4.6 GALVANIZED | VIS 8 X20 5732 4.6 ZN | SCHRAUBE 8 X20 5732 4.6 ZN | TORNILLO 8 X20 5732 4.6 ZN |
| 60 | F01420048 | ROS.M8 8,4X 24X 2 U6593 ZN | PLANE WASHER D.8 | RONDELLE D.8 | SCHEIBE D.8 | ARANDELA D.8 |
| 61 | G16610210 | ASS.LIMITATORE PROFONDITA' | LIMITER DEPTH COUPLYNG | GR. ASS. LIMITEUR DE PROFONDEU | TIEFENBEGRENZERKOMPLEX | CONJ. LIMITADOR DE PROFUNDIDAD |

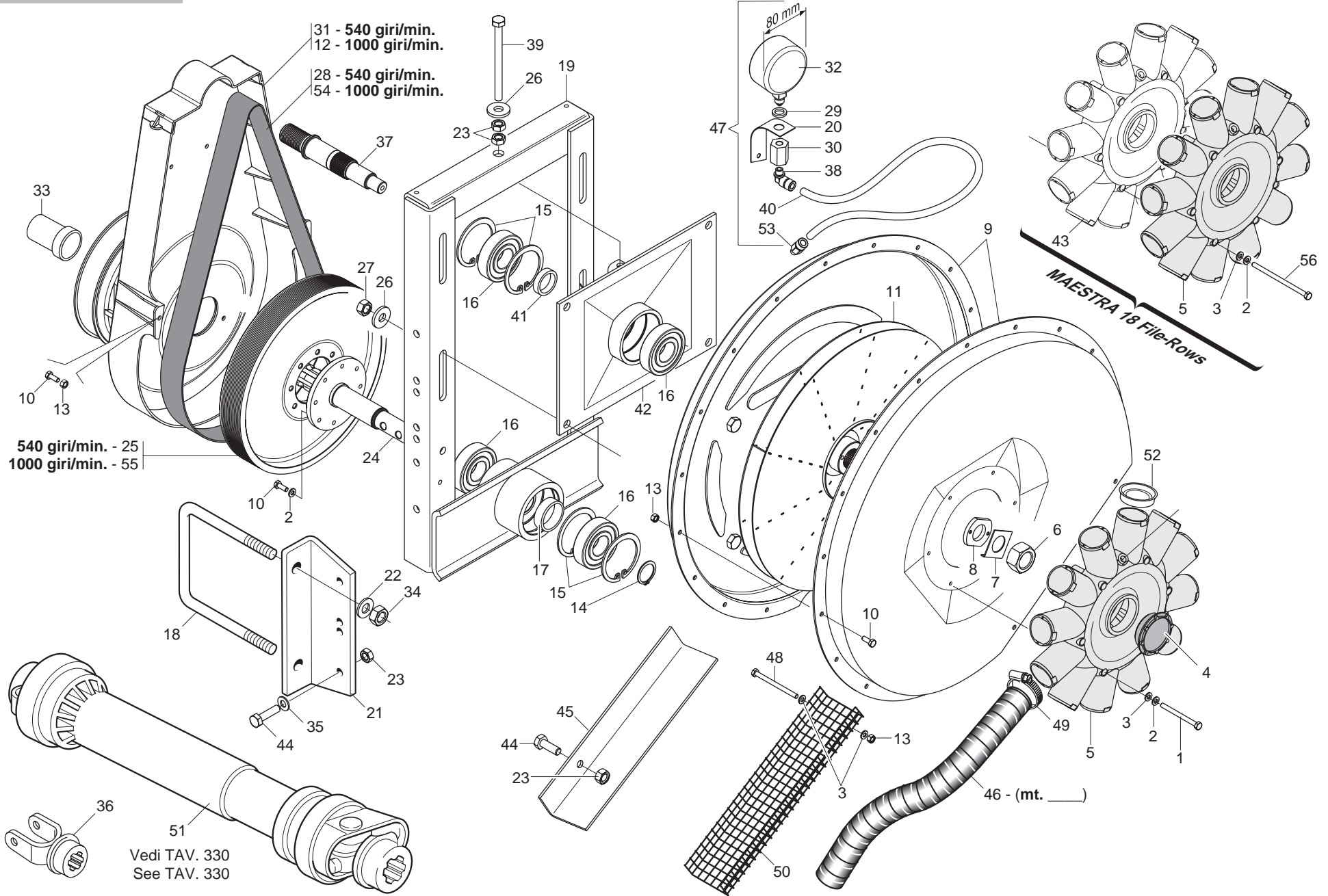
TAV. 070



IMPIANTO OLEODINAMICO SEGNAFILE

TAV. 070

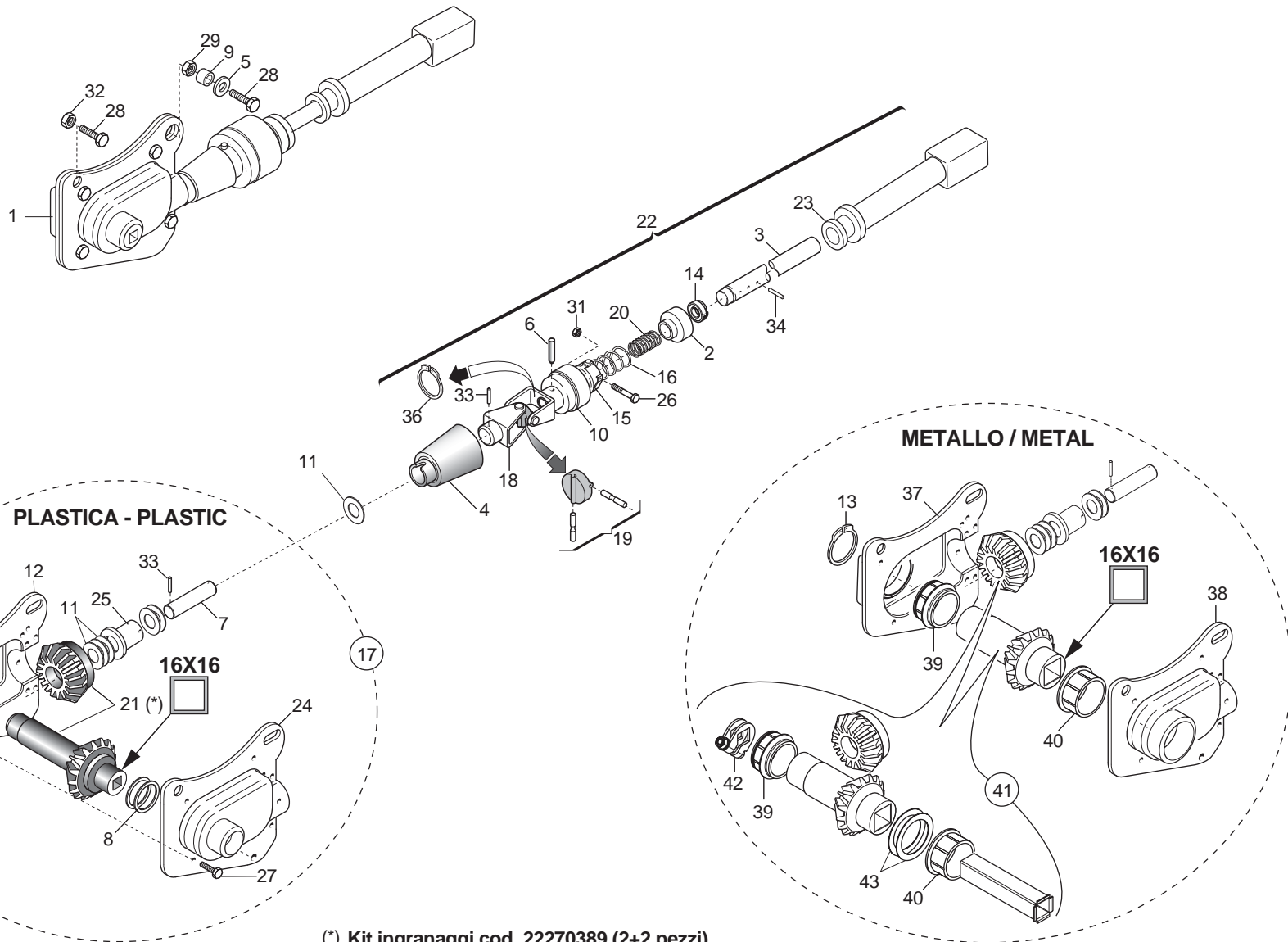
| Pos. | Cod. | Descrizione | Description | Description | Benennung | Descripcion |
|------|-----------|--------------------------------|--------------------------------|--------------------------------|--------------------------------|--------------------------------|
| 1 | F05150325 | CAPPUCCIO PROT.INNESTO RAP.1/2 | COVER 1/2 | COUVERCLE 1/2 | DECKEL 1/2 | TAPA 1/2 |
| 2 | F03150935 | INNESTO RAP.MASCH.1/2 A VALV. | QUICK CONNECT MALE CONE 1/2 CO | CONNEXION RAPIDE MALE CONE 1/2 | SCHNELLKUPPLUNG GEWINDE KONISC | ACOPLAMIENTO RAPIDO MACHO CONO |
| 3 | F03151237 | RONDELLA RAME 21X27X1,5 -1/2" | 1/2 COPPER WASHER | RONDELLE CUIVRE 1/2 | UNTERLEGSSCHEIBE KUPFER 1/2 | ARANDELA COBRE 1/2 |
| 4 | F03150211 | NIPPLO MM CIL-CIL 1/2-1/4 ZN | NIPLE 1/4-1/2 | NIPLE 1/4-1/2 | NIPLE 1/4-1/2 | NIPLE 1/4-1/2 |
| 5 | F03151238 | RONDELLA RAME 13X19X1,5 -1/4" | 1/4 COPPER WASHER | RONDELLE CUIVRE 1/4 | UNTERLEGSSCHEIBE KUPFER 1/4 | ARANDELA COBRE 1/4 |
| 6 | F03151245 | RUBINETTO F-F 1/4 | COCK F.-F. 1/4" | ROBINET F.-F. 1/4" | HAHN F.-F. 1/4" | GRIFO H.-H. 1/4" |
| 7 | F03150266 | NIPPLO MM CIL-CIL 1/4-1/4 ZN | NIPPLE GALV.CYL.MALE 1/4 ZN | NIPPLE MALE CYL. 1/4 ZN | NIPPELZYL.1/4 ZN | NIPLE MACHO CIL.1/4 ZN |
| 8 | G13611771 | TUBO 1/4R2 F1/4-F1/4 1800 | PIPE 1/4R2 F1/4-F1/4 1800 | TUBE 1/4R2 F1/4-F1/4 1800 | ROHR 1/4R2 F1/4-F1/4 1800 | TUBO 1/4R2 F1/4-F1/4 1800 |
| 9 | F03151194 | PROLUNGA CORTA 036 1/4 | SHORT EXTENSION 036 1/4 | RALLONGE COURTE 036 1/4 | KURZE VERLZNGERUNG 036 1/4 | PROLONG. CORTA 036 1/4 |
| 10 | F03150122 | NIPPLO MM 3/4 JIC OR 1/4 OR ZG | NIPPLE- 3/4 JIC OR - 1/4 | NIPPLE 3/4 JIC OR - 1/4 | NIPPEL 3/4 JIC OR - 1/4 | NIPLE 3/4 JIC OR - 1/4 |
| 11 | F03150577 | VALVOLA SEGNAF.CROSS SQV | ROW MARKER VALVE ATI C128513 | SOUPAPE TRACEUR C.SQV | VENTIL SPURREISSER ATI C128513 | VæLVULA MARCAFILAS ATI C128513 |
| 12 | F01020068 | VITE M 8X1,25X40 U5737 8.8 ZN | | | | |
| 13 | F03151226 | REGOL.DI FLUSSO VRF 1/4' GAS | 1/4' GAS VALVE VRF | SOUPAPE REG DEBIT VRF 1/4" GAZ | VENITL VRF 1/4' GAS | VæLVULA VRF 1/4' GAS |
| 14 | G16114410 | TUBO 1/4R2 CF1/4-EM12L 660 | TUBE 1/4R2 CF1/4-EM12L 660 | TUYAU 1/4R2 CF1/4-EM12L 660 | SCHLAUCH 1/4R2 CF1/4-EM12L 660 | TUBO 1/4R2 CF1/4-EM12L 660 |
| 15 | F03151219 | RACCORDO -T- MASCHIO 1/4 ZN | MALE T-UNION 1/4 ZINC. | RACCORD -T- MALE 1/4 ZING. | ANSCHLUSSsCK -T- GEWINDE 1/4 | UNIN -T- MACHO 1/4 CINC. R |
| 16 | F03151131 | ANELLO OGIVA 10 TN 88-12LS | RING 10 TN 88-12LS | BAGUE 10 TN 88-12LS | RING 10 TN 88-12LS | ANILLO 10 TN 88-12LS |
| 17 | F03151141 | DADO TENUTA TN 81-12L | SEALING NUT TN 81-12L | ECROU D'ETANCHEITE TN 81-12L | DICHTUNGSMUTTERTN 81-12L | TUERCA AISLADOR TN 81-12L |
| 18 | G15911070 | TUBO IN FERRO ZN. L=2500 | TUBE IRON L=2500 | TUBE FER L=2500 | ROHRE L=2500 | TUBO HIERRO L=2500 |
| 19 | G15910810 | TUBO IN FERRO ZN. L=1350 | TUBE IRON L=1350 | TUBE FER L=1350 | ROHRE L=1350 | TUBO HIERRO L=1350 |
| 20 | F01040064 | VITE M 6X 1X25 U5931 8.8 ZN | BOLT 6 X25 5931 8.G GALVANIZ. | VIS 6 X25 5931 8.G ZN | SCHRAUBE 6 X25 5931 8.G ZN | TORNILLO 6 X25 5931 8.G ZN |
| 21 | F03151136 | COLLARE A1-12 S | COLLAR A1-12 S | COLLIER A1-12 S | BUNDRING A1-12 S | ARGOLLA A1-12 S |
| 22 | G16114430 | TUBO 1/4R2 CF1/4-EM12L 1950 | PIPE 1/4R2 CF1/4-EM12L 1950 | TUBE 1/4R2 CF1/4-EM12L 1950 | ROHR 1/4R2 CF1/4-EM12L 1950 | TUBO 1/4R2 CF1/4-EM12L 1950 |
| 23 | G15911080 | TUBO 1/4R2 CF1/4-EM12L 2800 | PIPE 1/4R2 CF1/4-EM12L 2800 | TUBE 1/4R2 CF1/4-EM12L 2800 | ROHR 1/4R2 CF1/4-EM12L 2800 | TUBO 1/4R2 CF1/4-EM12L 2800 |
| 24 | G15911240 | CILINDRO DE 20X45 -310 SI/MTI | CYLINDER DE 20X45 -310 SI/MTI | CYLINDRE DE 20X45 -310 SI/MTI | ZYLINDER DE 20X45 -310 SI/MTI | CILINDRO DE 20X45 -310 SI/MTI |
| 25 | G16011690 | MONT.NIPPLO 1/4 GRANO F.1,0 | UPRIGHT 1/4" NIPPLE WITH GRUB | MONTANT NIPPLE 1/4 AVEC GRAIN | STZNDER NIPPEL 1/4 MIT STIFT 8 | MONT.NIPLE 1/4 TORNIL.SIN CABE |
| 26 | F05150485 | SPIRALE PROTETTIVAD.44-50 | SPIRAL GUARD | SPIRALE PROTECTION | SPIRAL SCHUTZ | ESPIRAL PROTECIÉN |



DEPRESSORE

TAV. 081

| Pos. | Cod. | Descrizione | Description | Description | Benennung | Descripcion |
|------|-----------|--------------------------------|--------------------------------|--------------------------------|--------------------------------|--------------------------------|
| 1 | F01020047 | VITE M 6X 1X 70 U5737 8.8 ZN | BOLT 6 X70 5737 8.G GALVANIZED | VIS 6 X70 5737 8.G ZN | SCHRAUBE 6 X70 5737 8.G ZN | TORNILLO 6 X70 5737 8.G ZN |
| 2 | F01430047 | ROS.M6 6.4X 11X0,7 U8842J ZN | WASHER D6 DIN 6798 D.INT.GALV. | RONDELLE D6 DIN 6798 D. INT. Z | UNT. SCHEIBE D6 DIN 6798 D. IN | ARANDELA D6 DIN 6798 D.INT.ZN |
| 3 | F01420036 | ROS.M6 6.4X 18X 2 U6593 ZN | FLAT WASHER 6-6X 18X2 6593 ZN | ROND. PLATE 6-6X 18X2 6593 ZN | SCHEIBE 6-6X 18X2 6593 ZN | ARAND. PLANA 6-6X 18X2 6593 ZN |
| 4 | F03150722 | TAPPO 700M52X2 | M52 X 2 PLUG | BOUCHON M52 X 2 | PFROFFEN M52 X 2 | TAPN M52 X 2 D |
| 5 | G19004480 | CONVOGLIATORE 12 USCITE | CONVEYOR 12 OUTLETS | CONVOYEUR 12 SORTIES | TRICHTER MIT 12 AUSG-NGEN | TRANSPORTADOR 12 SALIDAS |
| 6 | F01230143 | DADO M24X 2 D982 8 ZN | NORMAL SELF-LOCK.NUT 24X2 GAL | ECROU AUTOB. NOR. 24X2 ZN | MUTTER AUTOB.NOR.24X2 ZN | TUERCA AUTOB. NOR.24X2 ZN |
| 7 | G13912060 | PIASTRINA DI TENUTA | STOP PLATE | PLAQUETTE DE TENUE | DICHTPLZTTCHEN | PLACA DE RETENCIN P |
| 8 | G13912050 | RONDELLA DI FERMO | STOP WASHER | RONDELLE DE BLOCAGE | FESTSTELLSCHEIBE | ARANDELLA DE BLOQUEO |
| 9 | G22230335 | INVOLUCRI DEPRESSORE | VACUUM PUMP CASINGS | ENVELOPPES DEPRESSEUR H | sLLEN VAKUUMPUMPE C | AJAS BOMBA VACO CA |
| 10 | F01020403 | VITE M 6X 1X 16 U5739 8.8 ZN | BOLT M6X16 | VIS M6X16 | SCHRAUBE M6X16 | TORNILLO M6X16 |
| 11 | G22230015 | GIRANTE | IMPELLER | ROUE TURBINE | LAUFRAD | RODETE |
| 12 | G15450500 | PROTEZIONE CINGHIA 1000 GIRI | BELT GUARD 1000 RPM | PROTECTION COURROIE 1000 TOURS | RIEMENSCHUTZ 1000 UMDR. | PROTECCIN CORREA 1000 REV. P |
| 13 | F01220011 | DADO M 6X 1 D980 8 ZN | SELF LOCKING NUT M6 | ECROU AUTOBL. M6 | SELBSTSPERR.MUTTER M6 | DADO AUTOBL. M6 |
| 14 | F02050112 | ANELLO E. DE 30X 1,5 U7435 C70 | SEEGER RING 30X 1,5 U7435 C70 | SEEGER E. 30 X 1,5 U7435 C70 | SEEGERING E. 30X 1,5 U7435 C70 | ANILLO E. 30 X 1,5 U7435 C70 |
| 15 | F02050403 | ANELLO E. DI 72X 2,5 U7437 C70 | SEEGER RING E.72X2,5 U7437 C70 | SEEGER E. 72X 2,5 U7437 C70 | SEEGERING E. 72X 2,5 U7437 C70 | ANILLO E. 72X 2,5 U7437 C70 |
| 16 | F04010215 | CUSC.D30 D72 B19 6306 2RSC3 EX | BEARING 6306 2RS C3 | PALIER 6306 2RS C3 | LAGER 6306 2RS C3 | COJINETE 6306 2RS C3 |
| 17 | G22230010 | DISTANZIALE CUSCINETTI | BEARING SPACER | ENTRETOISE PALIERS | DISTANZSTsCK LAGER | DISTANCIADOR COJINETES |
| 18 | F20110830 | CAV.Q.M16X 2X 75 195X238 ZN | U BOLT M16X195- 238 ZN | CAVALIER M16X195- 238 ZN | VERBINDUNG M16X195- 238 ZN | PERNO EN U M16X195- 238 ZN |
| 19 | G15850200 | INCASTELLATURA DEPRESSORE | DIFFUSION AIR PUMP FRAME | B-TI POMPE A D+PRESSION | GESTELL VAKUUMPUMPE | ARMAZÉN BOMBA VAC-O |
| 20 | G22270134 | SUPPORTO VACUOMETRO SP | VACUUM METER SUPPORT SP | SUPPORT VACUOMETRE SP | HALTERUNG VAKUUMMETER SP | SOPORTE VACUMETRO SP S |
| 21 | G15950010 | STAFFA SUPPORTO DEPRESSORE | AIR PUMP SUPPORT | SUPP. DISPOSITIF DE DEPRESSION | VAKUUMPUMPENHALTERUNG | SOPORTE BOMBA DE VACO |
| 22 | G18700690 | RONDELLA 15 X40 X6 ZN | WASHER 15 X 40 X 6 ZN | RONDELLE 15 X40 X6 ZN | UNTERLEGSscheibe 15 X40 X6 ZN | ARANDELA 15 X40 X6 ZN |
| 23 | F01200270 | DADO M10X 1,5 U5588 6.8 ZN | NUT M10 | ECROU M10 | MUTTER M10 | DADO M10 |
| 24 | G22270369 | P.DI P.CON CODOLO | POWER TAKE-OFF- W/ SPIGOT | PRISE DE FORCE AVEC CONE | KRAFTABTRIEB MIT ENDSTsCK | TOMA DE FUERZA CON MANGO |
| 25 | G22230012 | PULEGGIA MOTRICE | DRIVING PULLEY | POULIE MOTRICE 540T | ANTRIEBSSCHEIBE | POLEA MOTRIZ |
| 26 | G20970035 | RONDELLA 32X4X13 | WASHER 32X4X13 | RONDELLE 32X4X13 | UNTERLEGSscheibe 32X4X13 | ARANDELA 32X4X13 |
| 27 | F01200293 | DADO M12X1,75 U5588 6.8 ZN | NUT M12 | ECROU M12 | MUTTER M12 | DADO M12 |
| 28 | F06010160 | CINGHIA POLY V 1287 J-16 GOLE | BELT- POLY V 1287 J-16 GOLE | COURROIE POLY V 1287 J-16 CANN | RIEMEN POLY V 1287 J-16 RILLEN | CORREA POLY V 1287 J-16 GARGAN |
| 29 | F05150479 | ROND.APPOGGIO MANOMETRI SV | PRESSURE GAUGE REST WASHER | ROND. LOGEMENT MANOMETRES SV | StTsZSCHEIBE MANOMETER SV | ARAND. SOPORTE MANOMETROS SV |
| 30 | G22250274 | COLLEGAMENTO MANOMETRI SP-SV | PRESSURE GAUGE CONNECT. SP-SV | RACCORD MANOMETRES SP-SV | VERBINDUNG MANOMETER SP-SV | CONEXIN MANMETROS SP-SV LE |
| 31 | G15450342 | PROTEZ.CINGHIA DEPRES.COMPLETO | | | | |
| 32 | F03151288 | VACUOM.0-100 MBAR C.SM.INC.D80 | | | | |
| 33 | G66248227 | CUFFIA PROTEZIONE P.D.P. | POWER TAKE-OFF PROTECTION HOUS | PROTECTEUR PRISE DE PUISSANCE | SCHUTZKASTEN KRAFTABTRIEB | ENVOLTURA PROTECCIN T. DE P. G |
| 34 | F01200324 | DADO M16X 2 U5588 8.8 ZN | NUT 16 UNI 5588 8.8 GALVANIZED | ECROU 16 UNI 5588 8.8 ZN | MUTTER 16 UNI 5588 8.8 ZN | TUERCA 16 UNI 5588 8.8 ZN |
| 35 | F01410062 | ROS.M10 10,5X 18X 2 U6592 ZN | | | | |
| 36 | F08011744 | FORCELLA CARD.36X42 Z8 B1 > | PTO SHAFT YOKE Z8 | FOURCHETTE FIX.BOUTON Z8 | GABEL SCHALTKNOPFANSCHLUSS Z8 | HORQUILLA ACOPL. BOTN Z8 F |
| 37 | G15450390 | PULEGGIA CONDOTTA | DRIVEN PULLEY D.28 | POULIE ENTRAINEE D. 28 | GETRIEBENE SCHEIBE D.28 | POLEA CONDUCIDA D.28 |
| 38 | F03151200 | RACCORDO 90° C5 1/8" 6/8 | UNION 90[C5 1/8" 6/8 | RACCORD 90[C5 1/8" 6/8 | ANSCHLUSSTsCK 90[C5 1/8" 6/8 | UNIN 90 C5 1/8" 6/8 RA |
| 39 | G15450270 | VITE 10X130 8.8 FIL.60 ZN | GALVANIZ. SCREW 10X130 8.8 FIL | VIS 10X130 8.8 FIL.60 ZN | SCHRAUBE 10X130 8.8 GEW.60 ZN | TORNILLO 10X130 8.8 FIL.60 ZN |
| 40 | F03100391 | TUBO POLIURETANO 8-6 | | | | |
| 41 | G22230014 | DISTANZIALE | SPACER | ENTRETOISE | DISTANZSTsCK | DISTANCIADOR |
| 42 | G15450091 | SUPPORTO PULEGGIA CONDOTTA | DRIVEN PULLEY SUPPORT | SUPPORT POULIE ENTRAINEE | HALTERUNG GETRIEBENE RIEMENSCH | SOPORTE POLEA CONDUCIDA |
| 43 | G15950020 | CONVOGLIATORE INTERNO | CONVEYOR INTERNAL | CONVOYEUR INTERNE | INTERNER FTRDERER | CONDUCTOR INTERIOR |
| 44 | F01020472 | VITE M10X 1,5X25 U5739 8.8 ZN | BOLT 10X25 5739 8.G GALVANIZED | VIS 10X25 5739 8.G ZN | SCHRAUBE 10X25 5739 8.G ZN | TORNILLO 10X25 5739 8.G ZN |
| 45 | G15450280 | PROTEZIONE DEPRESSORE | VACUUM PUMP PROTECTION | PROTECTION DEPRESSEUR | SCHUTZ VAKUUMPUMPE | PROTECCIN BOMBA DE VACO PR |
| 46 | F03100506 | TUBO EOLO 45 NL1 | EOLO PIPE 45 PU | | | |
| 47 | G22270093 | VACUOMETRO COMPL. SP LM | VACUUM METER ASSY. SP LM | VACUOMETRE COMPL. SP LM | KOMPL. VAKUUMMETER SPLM | VACUMETRO COMPL. SP LM V |
| 48 | F01020050 | VITE M 6X 1X 80 U5737 8.8 ZN | BOLT 6 X80 5737 8.G GALVANIZED | VIS 6 X80 5737 8.G ZN | SCHRAUBE 6 X80 5737 8.G ZN | TORNILLO 6 X80 5737 8.G ZN |
| 49 | F05150058 | FASCETTA POLYAM.7,8X550 31920 | POLYAMIDE FASTENING STRAPS 9X5 | COLLIER POLYAMIDE 9X508 31920 | SHELLE POLYAMID 9X508 31920 | ABRAZADERA POLIAMIDA 9X508 319 |
| 50 | G10150291 | GRIGLIA PROTEZIONE ZN | AIR PUMP PROTECT. GRID | GRILLE DE PROTECT.DISP. DEPRES | SCHUTZGITTER VAKUUMPUMPE | REJILLA DE PROTECCIN BOMBA VAG |
| 51 | F08011711 | CARD.B1 Z6-Z6 L700 | UNIVERSAL JOINT S10 0700F 112 | CARD NORM S10 0700F1121121CAT | KARDAN S10 0700F 112 112 1CAT | CARDæN S10 0700F 112 112 1CAT |
| 52 | F05050020 | TAPPO SALVAFILETTO D.39 | CONVEYOR PLUG D.39 | BOUCHON PROTEGE-FILET D. 39 | GEWINDESCHUTZPFROFFEN D.39 | TAPN GUARDARROSCA D.39 D |
| 53 | F03151206 | RACCORDO DIR. C1 1/8" 6/8 | UNION STRAIGHT C1 1/8" 6/8 | RACCORD DRT. C1 1/8" 6/8 | ANSCHLUSSTsCK GERADE C1 1/8" | UNIN DER. C1 1/8" 6/8 R |
| 54 | F06010161 | CINGHIA POLY-V 1016 J-16 GOLE | BELT- POLY V 1016 J-16 GOLE | COURROIE POLY-V 1016 J-16 GORG | RIEMEN POLY-V 1016 J-16 RILLEN | CORREA POLY-V 1016 J-16 GARGA |
| 55 | G15450310 | PULEGGIA MOTRICE 1000 GIRI | DRIVING PULLEY 1000 REVS | POULIE MOTRICE 1000T | ANTRIEBSSCHEIBE 1000 UMDREHUNG | POLEA MOTRIZ 1000 REVOLUCIONES |
| 56 | G15950030 | VITE DOPPIO CONVOGLIATORE | SCREW CONVEYOR | VIS CONVOYEUR | SCHRAUBE FTRDERER | TORNILLO CONDUCTOR INTERIOR |

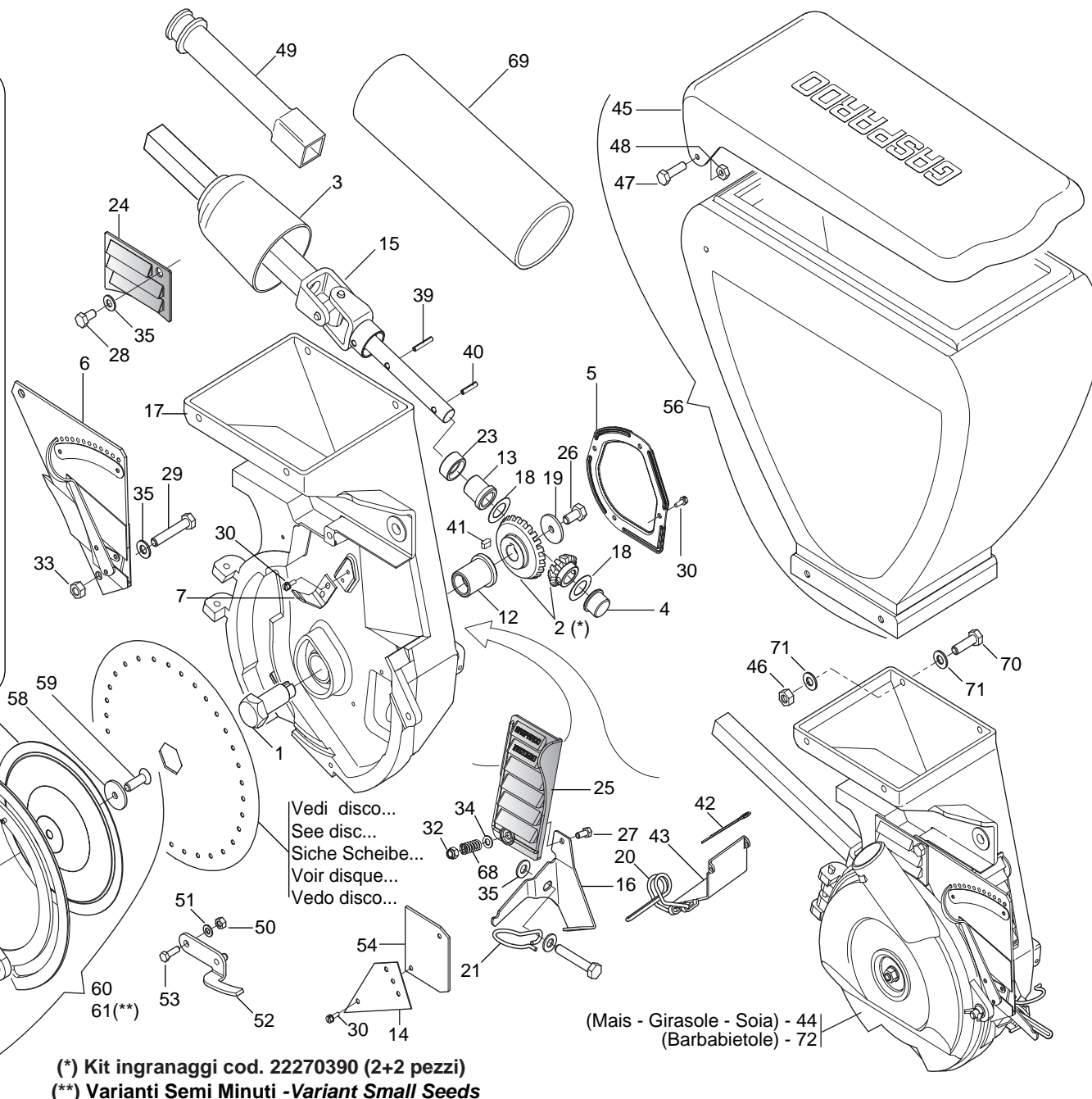
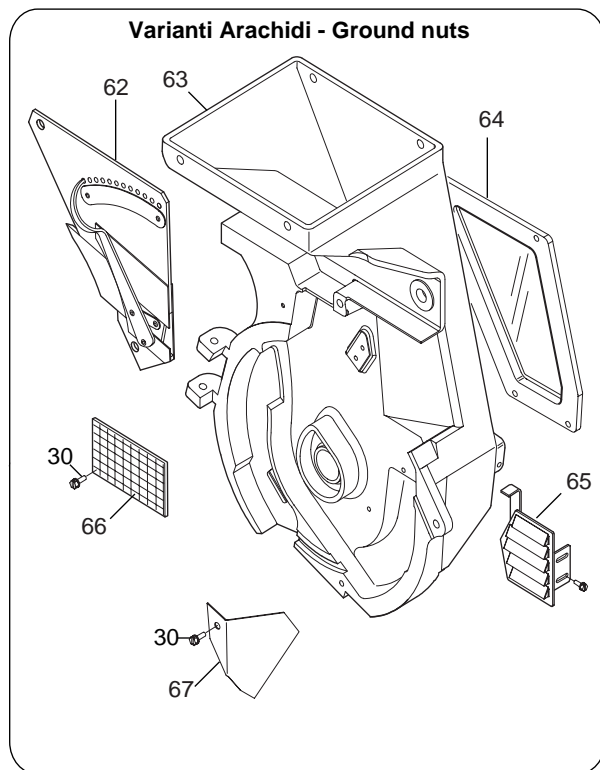


(*) Kit ingranaggi cod. 22270389 (2+2 pezzi)

SCATOLA DI RINVIO ELEMENTO

TAV. 091

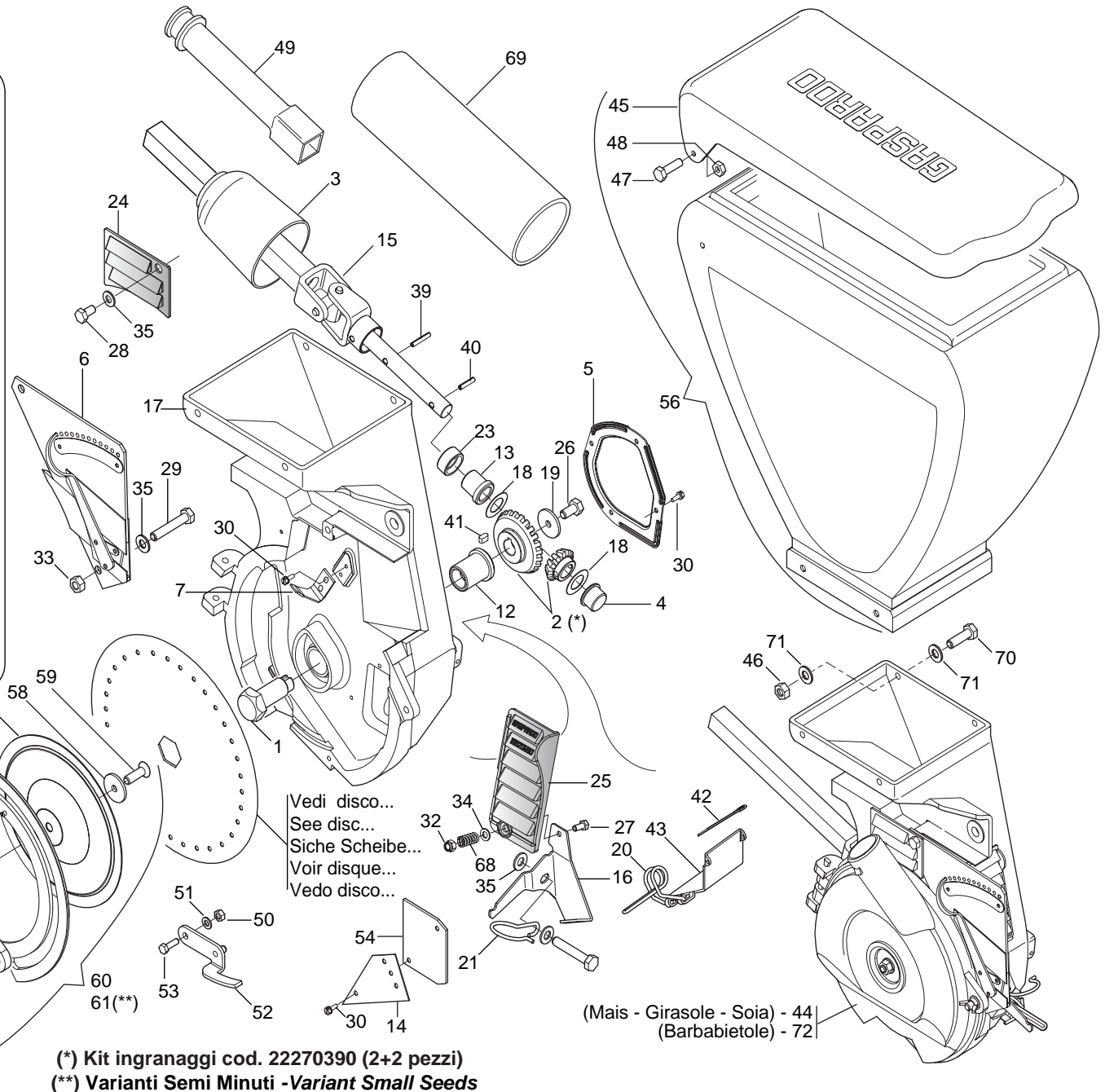
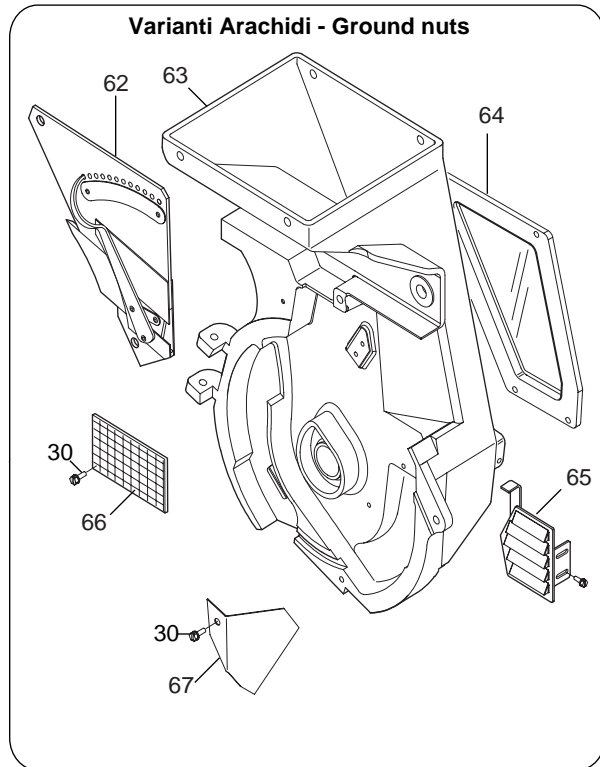
| Pos. | Cod. | Descrizione | Description | Description | Benennung | Descripcion |
|------|-----------|--------------------------------|--------------------------------|--------------------------------|--------------------------------|--------------------------------|
| 1 | G16621060 | MONT.SCATOLA RINVIO Q.16 EL.SP | | | | |
| 2 | G66248102 | ANELLO SICUREZZA SP | SAFETY RING | BAGUE SECURITE SP | SICHERHEITSRING SP | ANILLO DE SEGURIDAD SP |
| 3 | G15220691 | ASSE AVVISATORE MT | SIGNALLING AXIS MT | AXE AVERTISSEUR MT | ACHSE SIGNALHUPE MT | EJE INDICADOR MT |
| 4 | G19002840 | COPRICARDANO SUPERIORE | TOP CARDAN JOINT COVER | COUVRE-CARDAN SUPERIEUR | OBERE KARDANABDECKUNG | CUBRECARDAN SUPERIOR |
| 5 | G20970032 | RONDELLA 32X4X8,5 | WASHER 32X4X8-5 | RONDELLE 32X4X8-5 | UNTERLEGSSCHEIBE 32X4X8-5 | ARANDELA 32X4X8-5 |
| 6 | G66248057 | SPINA DI SICUREZZA SP | SAFETY PIN SP | BROCHE PLASTIC SECURITE CARDAN | SICHERHEITSTIFT SP | CLAVIJA DE SEGURIDAD SP |
| 7 | G22270452 | ALBERO SCATOLA RINVIO SP/S | INTERMEDIATE BOX SHAFT | ARBRE TRANSMISSION SP/S | WELLE VORGELEGEGEHZUSE SP/S | ARBOL CAJA DE TRANSMISIN SP/SA |
| 8 | G20970051 | RONDELLA 40X0,6X32 | WASHER 40X0-6X32 | RONDELLE 40X0-6X32 | UNTERLEGSSCHEIBE 40X0-6X32 | ARANDELA 40X0-6X32 |
| 9 | G20980024 | BOCCOLA 15X8,5X8 | BUSHING 15X8-5X8 | BOITE 15X8-5X8 | BsCHSE 15X8-5X8 | CASQUILLO 15X8-5X8 |
| 10 | G22220071 | AVVISATORE ACUSTICO | HOOTER | SIGNALISATION ACOUSTIQUE | HUPE | INDICADOR ACSTICO A |
| 11 | G22220073 | RONDELLA 28X0,3X16,5 | WASHER 28X0-3X16-5 | RONDELLE 28X0-3X16-5 | UNTERLEGSSCHEIBE 28X0-3X16-5 | ARANDELA 28X0-3X16-5 |
| 12 | G22220102 | CONCHIGLIA DX | RIGHT SHELL | COQUILLE DRT. | SCHALE RECHTS | MOLDE DER. |
| 13 | F02050179 | ANELLO E. DE 42X U7435 | | | | |
| 14 | G22220105 | BOCCOLA DI SPINTA | THRUST BUSHING | BOITE DE POUSSEE | SCHUBBSCHSE | CASQUILLO DE APIRIETE |
| 15 | G22220155 | ELEM.TENUTA MOLLE COMP. | SPRING SEAL ELEMENT ASSY. | ELEMENT D'ETANCHEITE RESSORTS | DICHTUNGSELEMENT FEDERN KOMP. | ELEM. RESISTENCIA MUELLES COMP |
| 16 | G65338039 | MOLLA COMP.ZN INNESTO SP | ZN COUPLING COMP. SPRING SP | RESSORT COMPL. ZN ACCOUPLEM. | DRUCKFEDER ZN KUPPLUNG SP | MUELLE COMP.ZN ACOPLAMIENTO SP |
| 17 | G16033200 | MONT.SCATOLA RINVIO PE > | TRANSFER CASE | BOITE RENVOI | VORGELEGEGEHZUSE | CAJA DE DISTRIBUCIN |
| 18 | G22270453 | SNODO AVVISATORE SP/S | SIGNALLER ARTICULATION SP/S | ARTICULATION SIGNALISATION SP/ | HUPGELENK SP/S | ARTICULACIN AVISADOR SP/S A |
| 19 | G22270454 | CROCIERA COMPL. SP/S | SPIDER SP/S | CROSILLON COMPL CARDAN TRANSM | GELENKKREUZ KOMPL. SP/S | CRUCETA COMPL. SP/S |
| 20 | G65338018 | MOLLA COMP.ZN SCATOLA RINV.SP | TRANSM. BOX COMP. SPRING . SP | RESSORT COMPL. ZN TRANSMISSION | DRUCKFEDER ZN VORGELEGEGEHZUSE | MUELLE COMP.ZN CAJA TRANSFER.. |
| 21 | G22270389 | 2+2 INGR.SCATOLA DI RINVIO > | 2+2 INTERM. TRANSM. GEAR BOX | COUPLE CON RENV ANGLE (2+2) | 2+2 ZAHNRZDER VORGELEGEGEHZUSE | 2+2 ENGRANAJES CAJA DE LA TRAN |
| 22 | G16620620 | ASSE AVVISATORE SP COMPL. | COMPL. HORN SHAFT SP | AXE AVERTISSEUR SP COMPL. | ACHSE SIGNALHUPE SP KOMPL. | EJE AVISADOR SP COMPL. |
| 23 | G15421830 | INNESTO | COUPLING | ACCOUPEMENT | KUPPLUNG | ACOPLAMIENTO |
| 24 | G22220103 | CONCHIGLIA SX | LEFT SHELL | COQUILLE GCH. | SCHALE LINKS | MOLDE IZQ. |
| 25 | G66349001 | BOCCOLA | BUSHING | BOITE | B_CHSE | CASQUILLO |
| 26 | F01020041 | VITE M 6X 1X 45 U5737 8.8 ZN | BOLT 6 X45 5737 8.G GALVANIZED | VIS 6 X45 5737 8.G ZN | SCHRAUBE 6 X45 5737 8.G ZN | TORNILLO 6 X45 5737 8.G ZN |
| 27 | F01020403 | VITE M 6X 1X 16 U5739 8.8 ZN | BOLT M6X16 | VIS M 6X16 | SCHRAUBE M 6X16 | TORNILLO M 6X16 |
| 28 | F01020440 | VITE M 8X1,25X25 U5739 8.8 ZN | BOLT M8 X25 5739 8.8 ZN | VIS M8 X25 5739 8.8 ZN | SCHRAUBE M8 X25 5739 8.8 ZN | TORNILLO M8 X25 5739 8.8 ZN |
| 29 | F01200244 | DADO M 8X1,25 U5588 6.8 ZN | NUT M8 | ECROU M8 | MUTTER M8 | DADO M8 |
| 30 | F01260021 | DADO CIECO M8 U5721 5.8 ZN | CAP NUT M8 5.8 ZN UNI 5721 | ECROU BORGNE M8 5.8 ZN UNI 57 | BLINDE MUTTER M8 5.8 ZN UNI 57 | TUERCA CIEGA M8 5.8 ZN UNI 572 |
| 31 | F01220011 | DADO M 6X 1 D980 8 ZN | SELF LOCKING NUT M6 | ECROU AUTOBL. M6 | SELBSTSPERR.MUTTER M6 | DADO AUTOBL. M6 |
| 32 | F01220022 | DADO M 8X1,25 D980 8 ZN | SELF LOCKING NUT M8X1,25 980V | ECROU AUTOBL. M8X1,25 980-V | SELBSTSP.MUTT. M8X1,25 980-V | DADO AUTOBL. M8X1,25 980-V |
| 33 | F02100114 | SPINA E.P. 6X 30 U6873 C70 BR | ELASTIC PIN 6X30 | GOIJON ELASTIQUE 6X30 | SPANNHUELSE 6X30 | ESPINA ELASTICA 6X30 |
| 34 | F02100121 | SPINA E.P. 6X 40 U6873 C70 BR | ELASTIC PIN 6X40 | GOIJON ELASTIQUE 6X40 | SPANNHUELSE 6X40 | PASADOR 6X40 |
| 35 | F01100011 | ING.M 6X1 7663-A 9SMNPB28 ZN | SPHERE NIPPLE M6X1/A | GRAISSEUR A BILLES M6X1/A | KUGELFETTBSCHSE M6X1/A | ENGRAS. DE ESFERAS M6X1/A |
| 36 | F02050045 | ANELLO E. DE 16X 1 U7435 C70 | SEEGER RING 16X 1 U7435 C70 | BAGUE SEEGER 16 X 1 U7435 C70 | SEEGERING 16 X 1 U7435 C70 | ANILLO 16X 1 U7435 C70 |
| 37 | G16620880 | ASS.CONCHIGLIA DX | | | | |
| 38 | G22505069 | CONCHIGLIA SX | LEFT SHELL | COQUILLE GCH. | SCHALE LINKS | MOLDE IZQ. |
| 39 | G19005681 | BOCCOLA EST.SCATOLA RINVIO | | | | |
| 40 | G19005671 | BOCCOLA INT.SCATOLA RINVIO | | | | |
| 41 | G16621080 | KIT INGR.RINVIO ZAMA | | | | |
| 42 | G22505085 | FERMO ASSE IN LAMIERA | PLATE AXLE STOP | ARRET AXE EN TOLE | FESTSTELLVORRICHTUNG BLECHACHS | BLOQUEO EJE DE CHAPA |
| 43 | G20970141 | RONDELLA 50X37X0,6 | WASHER 50X37X0-6 | RONDELLE 50X37X0-6 | UNTERLEGSSCHEIBE 50X37X0-6 | ARANDELA 50X37X0-6 |



DISTRIBUTORE SEMI

TAV. 100

| Pos. | Cod. | Descrizione | Description | Description | Benennung | Descripcion |
|------|-----------|--------------------------------|--------------------------------|--------------------------------|---------------------------------|--------------------------------|
| 1 | G22230046 | ASSE TRASMISSIONE DISCO | DISK GEAR AXLE | AXE ENTRAINEMENT DISQUE | ACHSE SCHEIBENANTRIEB | EJE TRANSMISIN DISCO A |
| 2 | G22270390 | KIT COPPIA CONICA DISTRIB.SEMI | KIT- SEED DISTR. CONICAL PAIR | COUPLE CON DISTR GRAINES (2+2) | KIT KEGELTRIEB SAMEN SZAPPARAT | SET PAR CONICO DISTRIB. SEMILL |
| 3 | G66248094 | COPRICARDANO SP | UNIVERSAL JOINT COVER SP | COUVRE-CARDAN SP | KARDANABDECKUNG SP | CUBRECARDAN SP |
| 4 | G66349008 | BOCCOLA | BUSHING | BOITE | BsCHSE | CASQUILLO |
| 5 | G22230035 | COPERCHIO SCATOLA INGRAN. | GEARWHEEL BOX COVER | COUVERCLE BOITE ENGRENAGE | DECKEL ZAHNRZDERGEHZUSE | TAPA CAJA ENGRAN. |
| 6 | G22230040 | SELETTORE MOBILE COMPLETO | MOBILE SELECTOR ASSY. | SELECTEUR MOBILE COMPL. | KOMPL. BEWEGLICHER WZHLER | SELECTOR MVIL COMPLETO S |
| 7 | G22230041 | SELETTORE FISSO | SELECTOR FIXED | SELECTEUR FIXE | FESTER WZHLER | SELECTOR FIJO |
| 8 | G15223701 | COPERCHIO CORPO MT | BODY COVER MT | COUVERCLE CORPS MT | DECKEL KTRPER MT | TAPA CUERPO MT |
| 9 | G22230037 | TENUTA GUARNIZIONE | SEAL | BLOQUAGE GARNITURE | DICHTUNG | JUNTA ESTANCA |
| 10 | G16620470 | TAPPO CENTRALE H=7,5 | CENTRAL PLUG H=7.5 | BOUCHON CENTRAL H=7,5 | ZENTRALER PFPROPFEN H=7,5 | TAPÉN CENTRAL H=7,5 |
| 11 | G22230039 | PERNO COPERCHIO | COVER PIN | PIVOT COUVERCLE | DECKELZAPFEN | PERNO TAPA |
| 12 | G66349002 | BOCCOLA SINT.BASSOFONDO | BUSHING- SINTERED | BOITE FRITTEE | SYNTH. B_CHSE | CASQUILLO SINT. |
| 13 | G22270071 | BOCCOLA COLL.SINTER.20X24 | 20X24 SINTERED COLLARED BUSH | BOITE COLLIER FRITTEE 20X24 | ANSCHLUSSBUJECHSE SINTER.20X24 | CASQUILLO CONEX. SINTER.20X24 |
| 14 | G22270204 | PIASTRA ANTI TRABOCC.SEMI SP | SEED ANTI-OVERFLOW PLATE SP | PLAQUE ANTI-DEBORD.T GRAINES S | SAMENSBERLAUFPLATTE SP | PLACA ANTI DESBORDAMIENTO SEMI |
| 15 | G15225130 | ASSE PORTA PIGNONE MT COMPL. | COMPL. MT PINION-HOLDER SHAFT | AXE PORTE-PIGNON MT COMPLET | RITZELTRAGACHSE MT KOMPL. | EJE PORTA PIGNÓN MT COMPL. |
| 16 | G15421151 | FERMO MOLLA FALCIONE | CUTTER SPRING STOP | ARRET RESSORT HACHOIR | FESTSTELLVOR. FEDER FUTTERSCHN | BLOQUEO MUELLE GUADADORA |
| 17 | G15225120 | CORPO DI DISTRIBUZIONE MT | MT DISTRIBUTION ASSEMBLY | CORPS DE DISTRIBUTION MT | STREUBEHLTER MT | ELEMENTO DE DISTRIBUCIÓN MT |
| 18 | G22220073 | RONDELLA 28X0,3X16,5 | WASHER 28X0-3X16-5 | RONDELLE 28X0-3X16-5 | UNTERLEGSSCHEIBE 28X0-3X16-5 | ARANDELA 28X0-3X16-5 |
| 19 | F01420037 | ROS.M6 6,4X 24X 2 U6593 ZN | | | | |
| 20 | G18902951 | MOLLA SPEC.ZN SCARICO | SPEC SPRING ZN DISCHARGE | RESSORT TRAPPE VIDANGE | SPEZIALFEDER ZN ENTLADUNG | MUELLE ESPEC. ZN DESCARGA |
| 21 | G18903180 | MOLLA CONVOGLIATORE MICRO | MICRO CONVEYOR SPRING | RESSORT CONVOYEUR MICRO | FEDER MIKRO FTRDERER | MUELLE CONDUCTOR MICRO |
| 22 | G19002620 | GUARNIZIONE COP.DISTR.SP530-MT | DISTR. COVER GASKET.SP530 | JOINT ETANCH PORTE SP530-MT | DICHTUNG SZAPPARATDECKEL SP530 | JUNTA TAPA DISTRIB.SP530 |
| 23 | G66248219 | ANELLO PARAPOLVERE SP-520 | DUST COVER RING | BAGUE PARE-POUSSIÈRE SP-520 | STAUBSCHÜTZRING SP-520 | ANILLO GUARDAPOLVO SP-520 |
| 24 | G16620540 | PORTA DI PROTEZIONE | SAFETY HATCH | PORTE DE PROTECTION | SCHUTZÜFNUNG | PUERTA DE PROTECCIÓN |
| 25 | G16620530 | PORTA DI CONTROLLO | INSPECTION DOOR | PORTE CONTROLE | KONTROLLTÜR | PUERTA DE CONTROL |
| 26 | F01020403 | VITE M 6X 1X 16 U5739 8.8 ZN | BOLT M6X16 | VIS M6X16 | SCHRAUBE M 6X16 | TORNILLO M 6X16 |
| 27 | F01020382 | VITE M 5X0,8X 25 U5739 8.8 ZN | BOLT 5 X25 5739 8.G GALVANIZ. | VIS 5 X25 5739 8.G ZN | SCHRAUBE 5 X25 5739 8.G ZN | TORNILLO 5 X25 5739 8.G ZN |
| 28 | F01020432 | VITE M 8X1,25X16 U5739 8.8 ZN | BOLT M8X16 | VIS M8X16 | SCHRAUBE M 8X16 | TORNILLO M 8X16 |
| 29 | F01020451 | VITE M 8X1,25X45 U5739 8.8 ZN | BOLT M8X45 | VIS M8X45 | SCHRAUBE M 8X45 | TORNILLO M 8X45 |
| 30 | F01070011 | VIT.A.4,2X1,41X 9,5 6950 4.8NI | BOLT-SELF-TAPPING 4-2X9-5T.E. | VIS AUTOTAR. 4-2X9-5 T. E. COU | SELBSTSCHNEID. SCHRAUBE 4-2X9- | TORNILLO AUTORROSC. 4-2X9-5 |
| 31 | F01240024 | DADO M 8X1,25 U5448 5.8 ZN | NUT 8 UNI 5448 5.8 ZN | ECROU 8 UNI 5448 5.8 ZN | MUTTER 8 UNI 5448 5.8 ZN | TUERCA 8 UNI 5448 5.8 ZN |
| 32 | F01230019 | DADO M 5X 0,8 D982 8 ZN | NORM.SELF-LOCKING NUT 5 GALVAN | ECROU AUTOB.NOR.5 ZN | SELBSTSP. MUTTER NOR.5 ZN | TUERCA AUTOB. NOR. 5 ZN |
| 33 | F01200244 | DADO M 8X1,25 U5588 6.8 ZN | NUT M8 | ECROU M8 | MUTTER M8 | DADO M8 |
| 34 | F01410023 | ROS.M5 5,3X 10X 1 U6592 ZN | WASHER D5 UNI 6592 ZN | RONDELLE D5 UNI 6592 ZN | UNTERLEGSSCHEIBE D5 UNI 6592 ZN | ARANDELA D5 UNI 6592 ZN |
| 35 | F01410051 | ROS.M8 8,4X 17X1,6 U6592 ZN | PLANE WASHER D.8 | RONDELLE D.8 | SCHEIBE D.8 | ARANDELA D.8 |
| 36 | F01430059 | ROS.M8 8,4X 15X0,8 U8842J ZN | WASHER D8 DIN 6798 D.INT.ZN | RONDELLE D8 DIN 6798 D. INT. Z | UNT. SCHEIBE D8 DIN 6798 D. IN | ARANDELA D8 DIN 6798 D.INT.ZN |
| 37 | F01460115 | ROS.OND. 8,4X 15X0,5 BR D137A | WASHER D8 DIN 137/A | RONDELLE D8 DIN 137/A | UNTERLEGSSCHEIBE D8 DIN 137/A | ARANDELA D8 DIN 137/A |
| 38 | F02200137 | COPIGLIA 2X 15 U1336 ZN | SPLIT PIN 2 X15 1336 GALVAN. | GOUPILLE 2 X15 1336 ZN | SPLINT 2 X15 1336 ZN | PASADOR 2 X15 1336 ZN |
| 39 | F02100079 | SPINA E.P. 5X 16 U6873 C70 BR | | | | |
| 40 | F02100083 | SPINA E.P. 5X 24 U6873 C70 BR | PIN EL. 5 X24 DIN 1481 | FICHE EL. 5 X24 DIN 1481 | SPANNSTIFT 5 X24 DIN 1481 | CLAVIJA EL.5 X24 DIN 1481 |
| 41 | F02150012 | LINGUETTA 5X 5X 10 U6604A | TAB 05X5X10 UNI6604 | LANGUETTE 05X5X10 UNI6604 | FEDERKEIL 05X5X10 UNI6604 | LENGSETA 05X5X10 UNI6604 |
| 42 | F02200200 | COPIGLIA 4X 70 U1336 ZN | SPLIT PIN 4 X70 1336 GALVAN. | GOUPILLE 4 X70 1336 ZN | SPLINT 4 X70 1336 ZN | PASADOR 4 X70 1336 ZN |
| 43 | G15421870 | PORTA DI SCARICO DISTRIBUTORE | DISTRIBUTOR DISCHARGE DOOR | PORTE DE DECHARGEMENT DISTRIB. | ENTLADUNGSTÜR SZAPPARAT | PUERTA DESCARGA DISTRIBUIDOR |
| 44 | G15225140 | CORPO DISTRIBUTORE MT COMPL. | DISTRIBUTOR CASING | CORPS DISTRIBUTEUR | SZAPPARATKTRPER | CUERPO DISTRIBUCIN C |
| 45 | G19002750 | COPERCHIO SERBATOIO SEME 530 | SEED TANK COVER 530 | COUVERCLE RES GRAINES 530-MT | SAMENBEHÄLTERDECKEL 530 | TAPA DEPÓSITO SEMILLA 530 A |
| 46 | F01420036 | ROS.M6 6,4X 18X 2 U6593 ZN | FLAT WASHER 6-6X 18X2 6593 ZN | ROND. PLATE 6-6X 18X2 6593 ZN | SCHEIBE 6-6X 18X2 6593 ZN | ARAND. PLANA 6-6X 18X2 6593 ZN |
| 47 | F01020403 | VITE M 6X 1X 16 U5739 8.8 ZN | BOLT M6X16 | VIS M6X16 | SCHRAUBE M 6X16 | TORNILLO M 6X16 |
| 48 | F01220011 | DADO M 6X 1 D980 8 ZN | SELF LOCKING NUT M6 | ECROU AUTOBL. M6 | SELBSTSPERR.MUTTER M6 | DADO AUTOBL. M6 |
| 49 | G15220681 | INNESTO RINVIO MT | TRANSMISSION COUPLING MT | ACCOUPEMENT TRANSMISSION MT | KUPPLUNG VORGELEGE MT | CONEXIN TRANSFERENCIA MT C |
| 50 | F01200220 | DADO M 5X 0,8 U5588 6.8 ZN | NUT 5 UNI 5588 6.8 GALVANIZED | ECROU 5 UNI 5588 6.8 ZN | MUTTER 5 UNI 5588 6.8 ZN | TUERCA 5 UNI 5588 6.8 ZN |
| 51 | F01430035 | ROS.M5 5,3X 10X0,6 U8842J ZN | WASHER D5 DIN 6798 D.INT.ZN | RONDELLE D5 DIN 6798 D. INT. Z | UNT. SCHEIBE D5 DIN 6798 D. IN | ARANDELA D5 DIN 6798 D.INT.ZN |
| 52 | G16620010 | ESPULSORE SEMI BIETOLA | SUGAR BEET EJECTOR | EXPULSEUR BETTES | AUSWERFER RÜBEN | EXPULSOR REMOLACHA |
| 53 | F01020381 | VITE M5X 0,8X 20 U5739 A2 IX | BOLT 5X20 5739 | VIS 5X20 5739 | SCHRAUBE 5X20 5739 | TORNILLO 5X20 5739 |
| 54 | G22270133 | PIASTRINA ANTI TRABOC.SEMI MIN | MINUTE SEED PLATE SP | PLAQUETTE GRAINES PETITES SP | PLZTTCHEN KLEINE SAMEN SP | PLAQUETA SEMILLAS PEQUEÑAS SP |



DISTRIBUTORE SEMI
TAV. 100

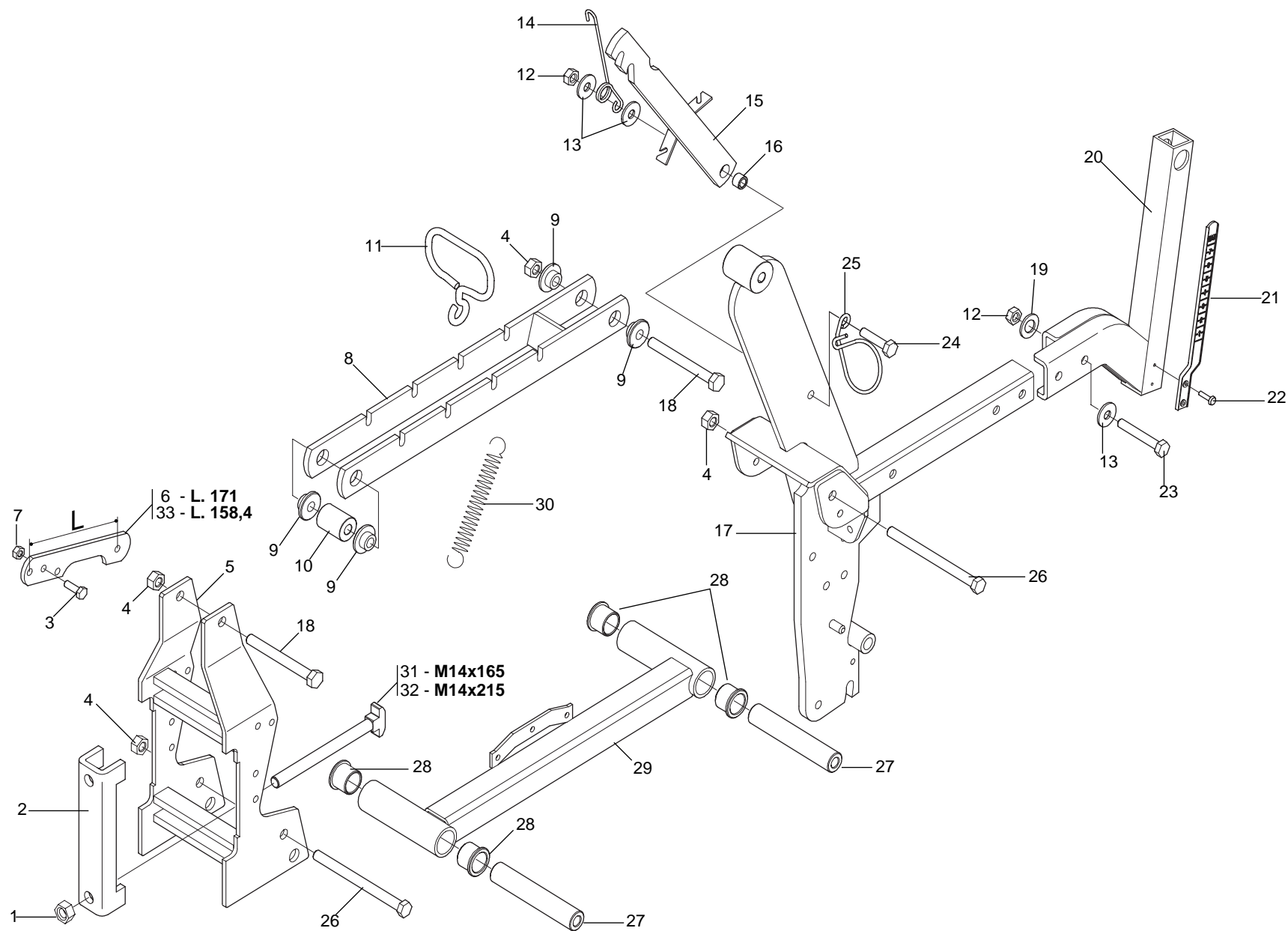
| Pos. | Cod. | Descrizione | Description | Description | Benennung | Descripcion |
|------|-----------|--------------------------------|--------------------------------|--------------------------------|--------------------------------|--------------------------------|
| 55 | G16620360 | DIMA SELETTORE FISSO | POSITION PLATE FOR FIXED SELEC | GABARIT POSITION SELECTEUR FIX | EINSTELLEHRE F_R FIXEN ABSTREI | PLACA PARA LA POSICIËN SELECTO |
| 56 | G18701890 | RONDELLA D.8,5 SVASATA ZN. | FLARED WASHER D.8.5 ZN. | RONDELLE D.8,5 +VAS+E ZN. | F-CHERSCHEIBE D.8,5 ZN. | ARANDELA İ 8,5 ABOCINADA ZN. |
| 57 | F01030055 | VITE M 8X1,25X20 U5933 10.9 ZD | BOLT M 8X20 | VIS M 8X20 | SCHRAUBE M 8X20 | TORNILLO M 8X20 |
| 58 | G15224471 | SERBATOIO SEME COMPLETO MT | SEED TANK ASSY. MT | RESERVOIR GRAINES COMPL PLA MT | SAMENBEHZLTER KOMPLETT MT | DEPSITO SEMILLAS COMPLETO MT B |
| 59 | G15201081 | COPERCHIO CORPO MT COMPL. | BODY COVER MT | COUVERCLE CORPS MT | DECKEL KTRPER MT | TAPA CUERPO MT |
| 60 | G22270128 | SELETTORE MOBILE ARACHIDI SP | MOBILE SELECTOR- PEANUTS SP | SELECTEUR MOBILE ARACHIDES SP | BEWEGLICHER WZHLER ERDNsSSE SP | SELECTOR MVIL CACAHUETES. S |
| 61 | G15422520 | CORPO DISTRIBUTORE ARACHIDI SP | PEANUT DISTRIBUTION CASING | CORPS DE DISTRIBUTION ARACHIDE | VERTEILUNGSKTRPER ERDNsSSE | CUERPO DE DISTRIBUC.CACAHUETES |
| 62 | G22270132 | FINESTRELLA CONTR.ARACHIDI SP | PEANUT CONTRA. WINDOW SP | FENETRE CONTR. ARACHIDES SP | LUKE ERDNUSSKONTROLLE SP | VENTANILLA CONTR. CACAHUETES. |
| 63 | G22230033 | PORTA CONTROLLO SEME | SEED INSPECTION DOOR | PORTE CONTROLE GRAINES | KONTROLLTsR SAMEN | PUERTA DE CONTROL SEMILLAS |
| 64 | G22270095 | GRIGLIA PROTEZIONE SP | PROTECT. GRID SP | GRILLE PROTECTION SP | SCHUTZGITTER SP | REJILLA PROTECCIN SP G |
| 65 | G22270130 | PIASTRINA ANTI TRABOC.ARACHIDI | PEANUT CLOSING PLATE | PLAQUETTE FERMETURE ARACH. SP | ABSCHLUSSPLZTTCHEN ERDNsSSE SP | PLAQUETA CIERRE CACAHUETES SP |
| 66 | G18904240 | MOLLA APERTURA PORTA CONTROLLO | SPRING | RESSORT | FEDER | MUELLE |
| 67 | F01020404 | VITE M 6X 1X20 U5739 8.8 ZN | BOLT 6X20 5739 8.G GALVANIZED | VIS 6X20 5739 8.G ZN | SCHRAUBE 6X20 5739 8.G ZN | TORNILLO 6X20 5739 8.G ZN |

TAV. 110

| Codice Code Code Kodex Codigo | Nr e fori Nr and ø holes Nr et trous Nr und ø löcher Nr y agujeros | Coltura | Seeds | Cultures | Samen | Semillas | Distanza semina Seeding dist. Dist. de semis Saatabstandes Dist. siembra | Codice Code Code Kodex Codigo | Nr e fori Nr and ø holes Nr et trous Nr und ø löcher Nr y agujeros | Coltura | Seeds | Cultures | Samen | Semillas | Distanza semina Seeding dist. Dist. de semis Saatabstandes Dist. siembra | | |
|-------------------------------|--|---------|---|---|---|--|--|-------------------------------|--|---------|---|--|---|---|--|---|--|
| 22230298 | 20 | 0,8 (1) | | | | | ↓ min.10,4 cm. | 22230290 | 36 | 2,5 | Pomodoro conf. 3,5÷4,5 mm Ginseng | Tomato pilled ø 3,5÷4,5 mm Ginseng | Tomate enrob 3,5÷4,5 mm Ginseng | Tomate pilliert ø 3,5÷4,5 mm Ginseng | Tomate conf. 3,5÷4,5 mm Ginseng | max. 23,2 cm. | |
| 22230319 | 20 | 1 (1) | Cavolo broccolo | Broccoli | Chou-Broccoli | Brokkoli | | Brócoli | | | | | | | | | |
| 22230327 | 20 | 1,1 (1) | Cavolo verza | Cabbage,Savoy | Chou de Milan | Wirsing | | Col de Milán | | | | | | | | | |
| 22230320 | 20 | 1,5 | | | | | | | | | | | | | | | |
| 22230294 | 20 | 2,1 | Zucchini Melone Anguria Cardo | Squash Melon Watermelon - | Courgette Melon Past que - | Kürbis Melone Wassermelone - | Calabacín Melón Sandía - | | | | | | | | | ↑ max. 41,7 cm. | |
| 22230203 | 20 | 2,5 | Girasole | Sunflower | Tournesol | Sonnenblumen | Girasol | | | | | | | | | | |
| 22230192 | 20 | 3,5 | Cotone Mais (Piccolo) | Cotton Corn (Little) | - Mais (Petit) | Baumwohl Mais (Klein) | - Maiz (Peque o) | | | | | | | | | | |
| 22230048 | 20 | 4,5 | Mais | Corn | Mais | Mais | Maiz | | | | | | | | | | |
| 22230047 | 20 | 5,5 | Mais (Grosso) Ceci Fagiolo borlotto e cannellino Arachidi | Corn (Big) Pulses Beans Peanut | Mais (Gros) - Haricot - | Mais (Grosse) - Bohnen - | Maiz (Grueso) - Poroto - | | | | | | | | | ↑ min. 4 cm. ↓ max. 16 cm. | |
| 22230205 | 20 | 7 | Arachidi Lupino | Peanut - | - - | - - | - - | | | | | | | | | | |
| 10124030R | 26 | 1 (1) | | | | | | | | | | | | | | | |
| 22230253 | 26 | 1,5 | | | | | | | | | | | | | | | |
| 22230296 | 26 | 2,1 | Zucchini Melone Anguria Cardo | Squash Melon Watermelon - | Courgette Melon Past que - | Kürbis Melone Wassermelone - | Calabacín Melón Sandía - | | | | | | | | | ↓ min. 8 cm. ↑ max. 32,1 cm. | |
| 22230289 | 26 | 2,5 | Girasole | Sunflower | Tournesol | Sonnenblumen | Girasol | | | | | | | | | | |
| 22230249 | 26 | 3,5 | Cotone Mais (Piccolo) | Cotton Corn (Little) | - Mais (Petit) | Baumwohl Mais (Klein) | - Maiz (Peque o) | | | | | | | | | | |
| 22230050 | 26 | 4,5 | Mais | Corn | Mais | Mais | Maiz | | | | | | | | | | |
| 22230303 | 26 | 5 | | | | | | | | | | | | | | | |
| 22230049 | 26 | 5,5 | Mais (Grosso) Ceci Fagiolo borlotto e cannellino Arachidi | Corn (Big) - Beans - | Mais (Gros) - Haricot - | Mais (Grosse) - Bohnen - | Maiz (Grueso) - Poroto - | | | | | | | | | ↑ min. 2,9 cm. ↓ max. 11,6 cm. | |
| 22230317 | 36 | 1,1 (1) | Pomodoro | Tomato | Tomate | Tomate | Tomate | | | | | | | | | | |
| 22230196 | 36 | 1,5 | Lenticchia Cetriolo Pomodoro conf. 2,5÷3,5 mm | - Cucumber Tomato pilled ø 2,5÷3,5 mm | - Concombre Tomate enrob 2,5÷3,5 mm | - Gurke Tomate pilliert ø 2,5÷3,5 mm | - Pepino Tomate conf. 2,5÷3,5 mm | | | | | | | | | | |
| 22230051 | 36 | 2,1 | Barbabietola Zucchini Melone Anguria Cardo Sorgo Sesamo | Beets Squash Melon Watermelon - Sorghum - | Betteraves Courgette Melon Past que - Sorgo - | Rüben Kürbis Melone Wassermelone - Hirse - | Remolacha Calabacín Melón Sandía - Sorgo - | | | | | | | | | | |
| | | | | | | | ↓ min. 5,8 cm. | 22230195 | 72 | 0,8 (1) | Endivia Lattuga Rapa Senape Finocchio Anice | Endive Lettuce Turnip Mustard Fennel - | Chicor e Laitue Navet Moutarde Fenouil - | Winterendivien Kopfsalat Speiserüben Senft Fenchel - | Escarola Lechuga Nabo - Hinojo - | ↓ min. 2,9 cm. ↑ max. 11,6 cm. | |
| | | | | | | | | 22230193 | 72 | 1,1 (1) | Pomodoro Rapa Finocchio Colza Panico | Tomato Turnip Fennel Canola - | Tomate Navet Fenouil Colza - | Tomate Speiserüben Fenchel Raps - | Tomate Nabo Hinojo Colza - | | |
| | | | | | | | | 22230257 | 72 | 1,5 | Spinacio Ravanello Asparagio Pomodoro conf. 2,5÷3,5 mm | Spinach Radish Asparagus Tomato pilled ø 2,5÷3,5 mm | Epinard Radis Asperge Tomate enrob 2,5÷3,5 mm | Spinat Radies Spargel Tomate pilliert ø 2,5÷3,5 mm | Espinaca Rabanito Espárrago Tomate conf. 2,5÷3,5 mm | | |
| | | | | | | | | 22230213 | 72 | 2,1 | Bieta a coste Saggina | Swiss Chard - | Poir e - | Mangold - | Acelga - | | |
| | | | | | | | | 10124040R | 72 | 2,5 | | | | | | | |
| | | | | | | | | 22230198 | 72 | 3,5 | Fagiolino Soia | Beans (Little) Soyabeans | Haricot (Petit) Soja | Grüne Bohnen Soja | Judias verdes Soja | ↑ | |
| | | | | | | | | 10124020R | 72 | 4,25 | Soia | Soyabeans | Soja | Soja | Soja | | |
| | | | | | | | | 22230256 | 72 | 4,5 | | | | | | | |

DISCHI DI SEMINA

| Pos. | Cod. | Descrizione | Description | Description | Benennung | Descripcion |
|------|-----------|------------------------------|-------------------------------|--------------------------------|--------------------------------|---------------------------------|
| 1 | G10121460 | DISCO 96 FORI D 1,0 SP | DISK 96 HOLES D.1,0 SP | DISQUE 96 TROUS D. 1,0 SP | SCHEIBE 96 LTCHER D.1,0 SP | DISCO 96 ORIFICIOS D. 1,0 SP |
| 2 | G10123970 | DISCO 102 F.D.2 SP | DISK 102 HOLES D. 2 SP | DISQUE 102 TROUS D. 2 SP | SCHEIBE 102 LTCHER D.2 SP | DISCO 102 ORIFICIOS D. 2 SP |
| 3 | G10124010 | DISCO 60 FORI D.4,5 SP LM | DISK 60 HOLES D.4-5 SP LM | DISQUE 60 TROUS D. 4-5 SP LM | SCHEIBE 60 LTCHER D.4-5 SP LM | DISCO 60 ORIFICIOS D.4-5 SP LM |
| 4 | G10124020 | DISCO 72 FORI D.4,25 SP LM | DISK 72 HOLES D.4-25 SP LM | DISQUE 72 TROUS D. 4-25 SP LM | SCHEIBE 72 LTCHER D.4-25 SP LM | DISCO 72 ORIFICIOS D.4-5 SP LM |
| 5 | G10124030 | DISCO ACC. 26 FORI D 1,0 SP | STEEL DISK 26 HOLES D 1.0 SP | DISQUE ACC. 26 TROUS D 1-0 SP | SCHEIBE ZUB. 26 LTCHER D 1-0 S | DISCO AC. 26 ORIFICIOS D 1-0 S |
| 6 | G10124040 | DISCO ACC. 72 FORI D 2,5 SP | DISK ST. 72 H. D 2,5 | DISQUE ACIER 72 TROUS D 2,5 | STAHLSCHEIBE 72 L. D 2,5 | DISCO ACERO 72 ORIF. D 2,5 |
| 7 | G10124050 | DISCO ACC.104 FORI D 1,1 SP | STEEL DISC 104 HOLES D 1.1 SP | DISQUE ACIER 104 TROUS D 1,1 | STAHLSCHEIBE 104 BOHR. D 1,1 | DISCO ACC.104 AGUJEROS D 1,1 |
| 8 | G10124060 | DISCO 26 F. D.4 | DISC 26 F. D.4 | DISQUE 26 TROUS D.4 | SCHEIBE 26 B. D.4 | DISCO 26 AGUJEROS 1 4 |
| 9 | G10124070 | DISCO 36 FORI D 1,7 SP LM | DISK 36 HOLES D.1,7 SP LM | DISQUE 36 TROUS D.1,7 SP LM | SCHEIBE 36 LTCHER D.1,7 SP LM | DISCO 36 ORIFICIOS D.1,7 SP LM |
| 10 | G10124090 | DISCO 6 FORI D.4,5 | DISK 6 HOLES D.4,5 | DISQUE 6 TROUS D. 4,5 | SCHEIBE 6 LTCHER D.4,5 | DISCO 6 ORIFICIOS D.4,5 |
| 11 | G10124100 | DISCO 6 FORI D.3,0 | DISK 6 HOLES D.3,0 | DISQUE 6 TROUS D. 3,0 | SCHEIBE 6 LTCHER D.3,0 | DISCO 6 ORIFICIOS D.3,0 |
| 12 | G22230047 | DISCO 20 F. D.5,5 SP LM | DISK 20 H. D.5-5 CORN SP LM | DISQUE 20 TROUS D. 5-5 MAIS SP | SCHEIBE 20 L. D.5-5 MAIS SP LM | DISCO 20 ORIF. D.5-5 MAZ SP LD |
| 13 | G22230048 | DISCO 20 F. D.4,5 SP LM | DISK 20 H. D.4-5 SUNF..SP LM | DISQUE 20 TROUS D. 4-5 TOURN. | SCHEIBE 20 L. D.4-5 SONNENBLU. | DISCO 20 ORIF. D.4-5 GIRA.SP L |
| 14 | G22230049 | DISCO 26 F. D.5,5 SP LM | DISK 26 H. D.5-5 CORN SP LM | DISQUE 26 TROUS D. 5-5 MAIS SP | SCHEIBE 26 L. D.5-5 MAIS SP LM | DISCO 26 ORIF. D.5-5 MAZ SP LD |
| 15 | G22230050 | DISCO 26 F. D.4,5 SP LM | DISK 26 H. D.4-5 CORN SP LM | DISQUE 26 TROUS D. 4-5 MAIS | SCHEIBE 26 L. D.4-5 MAIS | DISCO 26 ORIF. D.4-5 MAIZ SP L |
| 16 | G22230051 | DISCO 36 F. D.2,1 SP LM | DISK 36 H. D.2-1 BEET.SP LM | DISQUE 36 TROUS D. 2-1 BETTES | SCHEIBE 36 L.R. D.2-1 RsBEN SP | DISCO 36 ORIF. D.2-1 REMOLACHA |
| 17 | G22230192 | DISCO 20 FORI D.3,5 SP LM | DISK 20 HOLES D.3-5 SP LM | DISQUE 20 TROUS D. 3-5 SP LM | SCHEIBE 20 LTCHER D.3-5 SP LM | DISCO 20 ORIFICIOS D.3-5 SP LM |
| 18 | G22230193 | DISCO 72 FORI D.1,1 SP LM | DISK 72 HOLES D.1-1 SP LM | DISQUE 72 TROUS D. 1-1 SP LM | SCHEIBE 72 LTCHER D.1-1 SP LM | DISCO 72 ORIFICIOS D.1-1 SP LM |
| 19 | G22230194 | DISCO 72 FORI D.0,5 SP LM | DISK 72 HOLES D.0-5 SP LM | DISQUE 72 TROUS D. 0-5 SP LM | SCHEIBE 72 LTCHER D.0-5 SP LM | DISCO 72 ORIFICIOS D.0-5 SP LM |
| 20 | G22230195 | DISCO 72 FORI D.0,8 SP LM | DISK 72 HOLES D.0-8 SP LM | DISQUE 72 TROUS D. 0-8 SP LM | SCHEIBE 72 LTCHER D.0-8 SP LM | DISCO 72 ORIFICIOS D.0-8 SP LM |
| 21 | G22230196 | DISCO 36 FORI D.1,5 SP LM | DISK 36 HOLES D.1-5 SP LM | DISQUE 36 TROUS D. 1-5 SP LM | SCHEIBE 36 LTCHER D.1-5 SP LM | DISCO 36 ORIFICIOS D.1-5 SP LM |
| 22 | G22230197 | DISCO 36 FORI D.3,5 SP LM | DISK 36 HOLES D.3-5 SP LM | DISQUE 36 TROUS D. 3-5 SP LM | SCHEIBE 36 LTCHER D.3-5 SP LM | DISCO 36 ORIFICIOS D.3-5 SP LM |
| 23 | G22230198 | DISCO 72 FORI D.3,5 SP LM | DISK 72 HOLES D.3-5 SP LM | DISQUE 72 TROUS D. 3-5 SP LM | SCHEIBE 72 LTCHER D.3-5 SP LM | DISCO 72 ORIFICIOS D.3-5 SP LM |
| 24 | G22230199 | DISCO 36 FORI D.4,5 SP LM | DISK 36 HOLES D.4-5 SP LM | DISQUE 36 TROUS D. 4-5 SP LM | SCHEIBE 36 LTCHER D.4-5 SP LM | DISCO 36 ORIFICIOS D.4-5 SP LM |
| 25 | G22230203 | DISCO 20 FORI D.2,5 SP LM | DISK 20 HOLES D.2-5 SP LM | DISQUE 20 TROUS D. 2-5 SP LM | SCHEIBE 20 LÖCHER D.2-5 SP LM | DISCO 20 ORIF. D.2-5 SP LM |
| 26 | G22230205 | DISCO 20 F. D.7,0 ARAC.SP LM | DISK 20 H. D.7-0 PEAN..SP LM | DISQUE 20 TROUS D. 7-0 ARACHID | SCHEIBE 20 L. D.7-0 ERDNUSS SP | DISCO 20 ORIF. D.7-0 CACAH. SP |
| 27 | G22230213 | DISCO 72 FORI D.2,1 SP LM | DISK 72 HOLES D.2-1 SP LM | DISQUE 72 TROUS D. 2-1 SP LM | SCHEIBE 72 LTCHER D.2-1 SP LM | DISCO 72 ORIFICIOS D.2-1 SP LM |
| 28 | G22230216 | DISCO 144 FORI D.1,1 SP LM | DISK 144 HOLES D.1-1 SP LM | DISQUE 144 TROUS D. 1-1 SP LM | SCHEIBE 144 LTCHER D.1-1 SP LM | DISCO 144 ORIFICIOS D.1-1 SP L |
| 29 | G22230217 | DISCO 36 FORI D.5,5 SP LM | DISK 36 HOLES D.5-5 SP LM | DISQUE 36 TROUS D. 5-5 SP LM | SCHEIBE 36 LTCHER D.5-5 SP LM | DISCO 36 ORIFICIOS D.5-5 SP LM |
| 30 | G22230249 | DISCO 26 FORI D 3,5 SP LM | DISK 26 HOLES D 3-5 SP LM | DISQUE 26 TROUS D 3-5 SP LM | SCHEIBE 26 LTCHER D 3-5 SP LM | DISCO 26 ORIFICIOS D 3-5 SP LM |
| 31 | G22230250 | DISCO 144 FORI D.2,1 SP LM | DISK 144 HOLES D.2-1 SP LM | DISQUE 144 TROUS D. 2-1 SP LM | SCHEIBE 144 LTCHER D.2-1 SP LM | DISCO 144 ORIFICIOS D.2-1 SP L |
| 32 | G22230253 | DISCO 26 FORI D.1,5 SP LM | DISK 26 HOLES D.1-5 SP LM | DISQUE 26 TROUS D. 1-5 SP LM | SCHEIBE 26 LTCHER D.1-5 SP LM | DISCO 26 ORIFICIOS D.1-5 SP LM |
| 33 | G22230256 | DISCO 72 FORI D.4,5 SP LM | DISK 72 HOLES D.4-5 SP LM | DISQUE 72 TROUS D. 4-5 SP LM | SCHEIBE 72 LTCHER D.4-5 SP LM | DISCO 72 ORIFICIOS D.4-5 SP LM |
| 34 | G22230257 | DISCO 72 FORI D.1,5 SP LM | DISK 72 HOLES D.1-5 SP LM | DISQUE 72 TROUS D. 1-5 SP LM | SCHEIBE 72 LTCHER D.1-5 SP LM | DISCO 72 ORIFICIOS D.1-5 SP LM |
| 35 | G22230287 | DISCO 144 FORI D.1,5 SP LM | DISK 144 HOLES D.1-5 SP LM | DISQUE 144 TROUS D. 1-5 SP LM | SCHEIBE 144 LTCHER D.1-5 SP LM | DISCO 144 ORIFICIOS D.1-5 SP L |
| 36 | G22230288 | DISCO 52 FORI D.4,25 SP LM | DISK 52 HOLES D.4-25 SP LM | DISQUE 52 TROUS D. 4-25 SP LM | SCHEIBE 52 LTCHER D.4-25 SP LM | DISCO 52 ORIFICIOS D.4-25 SP LM |
| 37 | G22230289 | DISCO 26 FORI D.2,5 SP LM | DISK 26 HOLES D.2-5 SP LM | DISQUE 26 TROUS D. 2-5 SP LM | SCHEIBE 26 LTCHER D.2-5 SP LM | DISCO 26 ORIFICIOS D.2-5 SP LM |
| 38 | G22230290 | DISCO 36 FORI D.2,5 SP LM | DISK 36 HOLES D.2-5 SP LM | DISQUE 36 TROUS D. 2-5 SP LM | SCHEIBE 36 LTCHER D.2-5 SP LM | DISCO 36 ORIFICIOS D.2-5 SP LM |
| 39 | G22230294 | DISCO 20 FORI D.2,1 SP LM | DISK 20 HOLES D.2-1 SP LM | DISQUE 20 TROUS D. 2-1 SP LM | SCHEIBE 20 LTCHER D.2-1 SP LM | DISCO 20 ORIFICIOS D.2-1 SP LM |
| 40 | G22230296 | DISCO 26 FORI D.2,1 SP LM | DISK 26 HOLES D.2-1 SP LM | DISQUE 26 TROUS D. 2-1 SP LM | SCHEIBE 26 LÖCHER D.2-1 SP LM | DISCO 26 ORIFICIOS D.2-1 SP LM |
| 41 | G22230297 | DISCO 144 FORI D.0,8 SP LM | DISK 144 HOLES D.0-8 SP LM | DISQUE 144 TROUS D. 0-8 SP LM | SCHEIBE 144 LTCHER D.0-8 SP LM | DISCO 144 ORIFICIOS D.0-8 SP L |
| 42 | G22230298 | DISCO 20 FORI D.0,8 SP LM | DISK 20 HOLES D.0-8 SP LM | DISQUE 20 TROUS D. 0-8 SP LM | SCHEIBE 20 LTCHER D.0-8 SP LM | DISCO 20 ORIFICIOS D.0-8 SP LM |
| 43 | G22230299 | DISCO 52 FORI D.2,5 SP LM | DISK 52 HOLES D.2-5 SP LM | DISQUE 52 TROUS D. 2-5 SP LM | SCHEIBE 52 LTCHER D.2-5 SP LM | DISCO 52 ORIFICIOS D.2-5 SP LM |
| 44 | G22230300 | DISCO POST.10G-3F-D2,1 SP LM | DISK POST.10G-3F-D2-1 SP LM | DISQUE ARRIERE 10G. 3 TROUS D2 | HINTERSCHEIBE 10G-3L-D2-1 SP L | DISCO TRAS.10G. 3 ORIF. D2-1 S |
| 45 | G22230301 | DISCO 144 FORI D.0,5 SP LM | DISK 144 HOLES D.0-5 SP LM | DISQUE 144 TROUS D. 0-5 SP LM | SCHEIBE 144 LTCHER D.0-5 SP LM | DISCO 144 ORIFICIOS D.0-5 SP L |
| 46 | G22230303 | DISCO 26 FORI D.5,0 SP LM | DISK 26 HOLES D.5-0 SP LM | DISQUE 26 TROUS D. 5-0 SP LM | SCHEIBE 26 LTCHER D.5-0 SP LM | DISCO 26 ORIFICIOS D.5-0 SP LM |
| 47 | G22230304 | DISCO 36 FORI D.7 LM | DISK 36 HOLES D.7 LM | DISQUE 36 TROUS D. 7 LM | SCHEIBE 36 LTCHER D.7 LM | DISCO 36 ORIFICIOS D.7 LM |
| 48 | G22230306 | DISCO 12 FORI D.2,1 SP LM | DISK 12 HOLES D.2-1 SP LM | DISQUE 12 TROUS D. 2-1 SP LM | SCHEIBE 12 LTCHER D.2-1 SP LM | DISCO 12 ORIFICIOS D.2-1 SP LM |
| 49 | G22230316 | DISCO 52 FORI D.3,5 SP LM | DISK 52 HOLES D.3-5 SP LM | DISQUE 52 TROUS D. 3-5 SP LM | SCHEIBE 52 LTCHER D.3-5 SP LM | DISCO 52 ORIFICIOS D.3-5 SP LM |
| 50 | G22230317 | DISCO 36 FORI D.1,1 SP LM | DISK 36 HOLES D.1-1 SP LM | DISQUE 36 TROUS D. 1-1 SP LM | SCHEIBE 36 LTCHER D.1-1 SP LM | DISCO 36 ORIFICIOS D.1-1 SP LM |
| 51 | G22230318 | DISCO 10 FORI D.1,5 SP LM | DISK 10 HOLES D.1-5 SP LM | DISQUE 10 TROUS D. 1-5 SP LM | SCHEIBE 10 LTCHER D.1-5 SP LM | DISCO 10 ORIFICIOS D.1-5 SP LM |
| 52 | G22230319 | DISCO 20 FORI D.1,0 SP LM | DISK 20 HOLES D.1-0 SP LM | DISQUE 20 TROUS D. 1-0 SP LM | SCHEIBE 20 LTCHER D.1-0 SP LM | DISCO 20 ORIFICIOS D.1-0 SP LM |
| 53 | G22230320 | DISCO 20 FORI D.1,5 SP LM | DISK 20 HOLES D.1-5 SP LM | DISQUE 20 TROUS D. 1-5 SP LM | SCHEIBE 20 LTCHER D.1-5 SP LM | DISCO 20 ORIFICIOS D.1-5 SP LM |
| 54 | G22230321 | DISCO 52 FORI D.1,5 SP LM | DISK 52 HOLES D.1-5 SP LM | DISQUE 52 TROUS D. 1-5 SP LM | SCHEIBE 52 LTCHER D.1-5 SP LM | DISCO 52 ORIFICIOS D.1-5 SP LM |
| 55 | G22230322 | DISCO 80 FORI D.1,5 SP LM | DISK 80 HOLES D.1-5 SP LM | DISQUE 80 TROUS D. 1-5 SP LM | SCHEIBE 80 LTCHER D.1-5 SP LM | DISCO 80 ORIFICIOS D.1-5 SP LM |
| 56 | G22230323 | DISCO 100 FORI D.1,5 SP LM | DISK 100 HOLES D.1-5 SP LM | DISQUE 100 TROUS D. 1-5 SP LM | SCHEIBE 100 LTCHER D.1-5 SP LM | DISCO 100 ORIFICIOS D.1-5 SP L |
| 57 | G22230324 | DISCO 120 FORI D.1,5 SP LM | DISK 120 HOLES D.1-5 SP LM | DISQUE 120 TROUS D. 1-5 SP LM | SCHEIBE 120 LTCHER D.1-5 SP LM | DISCO 120 ORIFICIOS D.1-5 SP L |
| 58 | G22230325 | DISCO 160 FORI D.1,5 SP LM | DISK 160 HOLES D.1-5 SP LM | DISQUE 160 TROUS D. 1-5 SP LM | SCHEIBE 160 LTCHER D.1-5 SP LM | DISCO 160 ORIFICIOS D.1-5 SP L |
| 59 | G22230326 | DISCO 180 FORI D.1,5 SP LM | DISK 180 HOLES D.1-5 SP LM | DISQUE 180 TROUS D. 1-5 SP LM | SCHEIBE 180 LTCHER D.1-5 SP LM | DISCO 180 ORIFICIOS D.1-5 SP L |
| 60 | G22230327 | DISCO 20 FORI D.1,1 SP LM | DISK 20 HOLES D.1-1 SP LM | DISQUE 20 TROUS D. 1-1 SP LM | SCHEIBE 20 LTCHER D.1-1 SP LM | DISCO 20 ORIFICIOS D.1-1 SP LM |
| 61 | G22230328 | DISCO 52 FORI D.2,1 SP LM | DISK 52 HOLES D.2-1 SP LM | DISQUE 52 TROUS D. 2-1 SP LM | SCHEIBE 52 LTCHER D.2-1 SP LM | DISCO 52 ORIFICIOS D.2-1 SP LM |
| 62 | G22230332 | DISCO 13 FORI D.3,5 SP LM | DISK 13 HOLES D.3-5 SP LM | DISQUE 13 TROUS D.3-5 SP LM | SCHEIBE 13 LTCHER D.3-5 SP LM | DISCO 13 ORIFICIOS D.3-5 SP |



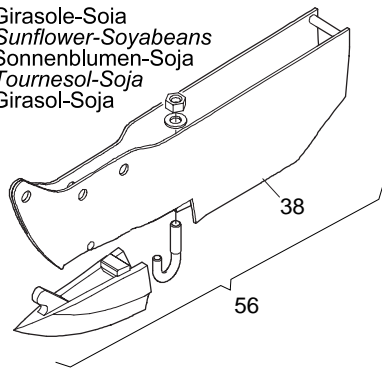
TELAIO ELEMENTO

TAV. 121

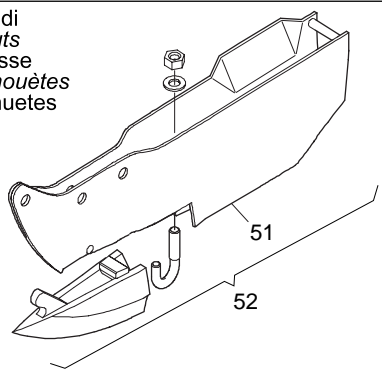
| Pos. | Cod. | Descrizione | Description | Description | Benennung | Descrpcion |
|------|-----------|--------------------------------|--------------------------------|--------------------------------|--------------------------------|--------------------------------|
| 1 | F01200306 | DADO M14X 2 U5588 6.8 ZN | NUTM14X2 | ECROU M14X2 | MUTTER M14X2 | DADO M14X2 |
| 2 | G19204030 | SCONTRIO FISS.150 2F D15 | | | | |
| 3 | F01020440 | VITE M 8X1,25X25 U5739 8.8 ZN | BOLT M8 X25 5739 8.8 ZN | VIS M8 X25 5739 8.8 ZN | SCHRAUBE M8 X25 5739 8.8 ZN | TORNILLO M8 X25 5739 8.8 ZN |
| 4 | F01220048 | DADO M12X1,75 D980 8 ZN | SELF LOCKING NUT M12X1,75 980V | ECROU AUTOBL. M12X1,75 980-V | SIEHE 00553312 | DADO AUTOBL. M12X1,75 980-V |
| 5 | G15421111 | PIASTRAATTACCO 150 | COUPLING PLATE 150 | PLAQUE ATTELAGE 150 | KUPPLUNGSPLATTE 150 | PLACA CONEXIN 150 P |
| 6 | G16620130 | SUPPORTO SCATOLA RINVIO | SUPPORT BOITE DE RENVOI | GEARBOX SUPPORT | HALTERUNG VORGELEGEGEH-USE | SOPORTE CAJA TRANSMISI-N |
| 7 | F01220022 | DADO M 8X1,25 D980 8 ZN | SELF LOCKING NUT M8X1,25 980V | ECROU AUTOBL. M8X1,25 980-V | SELBSTSP.MUTT. M8X1,25 980-V | DADO AUTOBL. M8X1,25 980-V |
| 8 | G15420102 | PARALLELO SUPERIORE | UPPER PARALLEL | PARALL. SUP. | PARALLELOGRAMM OBEN | PARALELO SUPERIOR |
| 9 | G15421232 | BOCCOLA BRACCIO PARALLELO SP.8 | ARM BUSHING PARALLEL SP.8 | BOITE BRAS PARALLELE SP.8 | BsCHSE ARM PARALLEL SP.8 | CASQUILLO BRAZO PARALELO SP.8 |
| 10 | G18802170 | BOCCOLA 12,25X30X40 ZN | BUSHING 12,25X30X40 ZN | BOITE 12,25X30X40 ZN | BsCHSE 12,25X30X40 ZN | CASQUILLO 12,25X30X40 ZN |
| 11 | G18903690 | ATTACCO MOLLA | SPRING COUPLING | FIXATION RESSORT | KUPPLUNG FEDER | CONEXIN MUELLE O |
| 12 | F01200270 | DADO M10X 1,5 U5588 6.8 ZN | NUT M10 | ECROU M10 | MUTTER M10 | DADO M10 |
| 13 | F01420060 | ROS.M10 10,5X 30X2,5 U6593 ZN | WASHER 10,5X30 | RONDELLE 10,5X30 | SCHEIBE 10,5X30 | ARANDELA 10,5X30 |
| 14 | G18902880 | MOLLA FERMO PARALLELO SP | PARALLEL STOP SPRING SP | RESSORT ARRET PARALLELE SP | FEDER FESTSTELLVORRICHT. PARAL | MUELLE BLOQUEO PARALELO SP |
| 15 | G16620160 | FERMO PARALLELO | PARALLEL LOCK | ARRET PARALLELOGRAMME | FESTSTELLVORRICHTUNG PARALLELO | BLOQUEO PARALELO |
| 16 | G18801610 | BOCCOLA 10,25X16 X11 ZN | BUSHING 10.25 X 16 X 11- GALVA | BOITE 10-25X16 X11 ZN | BsCHSE 10-25X16 X11 ZN | CASQUILLO 10-25X16 X11 ZN |
| 17 | G16620310 | CORPO CENTRALE SP540 | CENTRAL CASING SP540 | CORPS CENTRALE SP540 | MITTELKTRPER SP540 | CUERPO CENTRAL SP540 |
| 18 | F01020168 | VITE M12X1,75X90 U5737 8.8 ZN | BOLT 12X90 5737 8.G GALVANIZED | VIS 12X90 5737 8.G ZN | SCHRAUBE 12X90 5737 8.G ZN | TORNILLO 12X90 5737 8.G ZN |
| 19 | F01430023 | ROS.M10 10,5X 18X0,9 U8842J ZN | WASHER D10 DIN 6798 D.INT.ZN | RONDELLE D10 DIN 6798 D. INT. | UNT. SCHEIBE D10 DIN 6798 D.IN | ARANDELA D10 DIN 6798 D.INT.ZN |
| 20 | G16620550 | SUPPORTO REGOLAZIONE | REGULATION SUPPORT | SUPPORT R+GLAGE | HALTERUNG EINSTELLUNG | SOPORTE REGULACIÉN |
| 21 | G19003400 | ASTA INDICAZIONE PROFONDITA' | DEPTH INDICATING ROD | TIGE INDICATION PROFONDEUR | TIEFENANZEIGESTAB | VARILLA INDICACIÓN PROFUNDIDAD |
| 22 | F02250077 | RIVETTO STR. 3X 14 U9200A AL | 3X14 ALUMINIUM PULL RIVET | RIVET A RUPTURE 3X14 ALUMINIUM | REISSNIETE3X14 ALL. | REMACHE DESGAR. 3X14 ALL. |
| 23 | F01020122 | VITE 10X 1,5X 70 U5737 8.8 ZN | BOLT 10X 1,5X 70 U5737 8.8 ZB | VIS 10X 1,5X 70 U5737 8.8 ZB | SCHR.10X 1,5X 70 U5737 8.8 ZB | TORN.10X 1,5X 70 U5737 8.8 ZB |
| 24 | F01020112 | VITE M10X 1,5X45 U5737 8.8 ZN | BOLT 10X45 5737 8.G GALVANIZED | VIS 10X45 5737 8.G ZN | SCHRAUBE 10X45 5737 8.G ZN | TORNILLO 10X45 5737 8.G ZN |
| 25 | G18903140 | MOLLA GUIDATUBO | PIPE GUIDE SUPPORT | RESSORT GUIDE-TUBE | FEDER ROHRFSHRUNG | MUELLE GUA TUBOS A |
| 26 | F01020183 | VITE 12X1,75X170 U5737 8.8 ZN | BOLT 12X170 5737 8.G GALVANIZ. | VIS 12X170 5737 8.G ZN | SCHRAUBE 12X170 5737 8.G ZN | TORNILLO 12X170 5737 8.G ZN |
| 27 | G22230057 | MOZZO ANTERIORE | ANT. HUB | MOYEU AVANT | VORDERNABE | CUBO DELANTERO |
| 28 | G66349003 | BOCCOLA SINT. | BUSHING- SINTERED | BOITE FRITTEE | SYNTH. BUECHSE | CASQUILLO SINT. |
| 29 | G15420122 | BRACCIO INFERIORE | LOWER ARM | BRAS INFERIEUR | UNTERER ARM | BRAZO INFERIOR |
| 30 | G65337015 | MOLLA TRAZ.ZN REGOL.ELEM. SP | TRACTION SPRING ZN REGUL. ELEM | RESSORT TRACT. ZN REGL. ELEMEN | ZUGFEDER ZN ELEMENTEINSTELLUNG | MUELLE TRAC. ZN REGUL.ELEM. SP |
| 31 | G16610010 | VITE A MARTELLO M14X165 | WINGED SCREW M14X165 | VIS A TETE MARTEAU M14X165 | ZWEIFLÜGEL- SCHRAUBEN M14X165 | TORNILLO DE MARIPOSA M14X165 |
| 32 | G16610020 | VITE A MARTELLO M14X215 | WINGED SCREW M14X215 | VIS A TETE MARTEAU M14X215 | ZWEIFLÜGEL- SCHRAUBEN M14X215 | TORNILLO DE MARIPOSA M14X215 |
| 33 | G15422091 | SUPPORTO SCATOLA RINVIO | GEARBOX SUPPORT | SUPPORT BOITE DE RENVOI | HALTERUNG VORGELEGEGEH-USE | SOPORTE CAJA TRANSMISIÉN |

TAV. 131

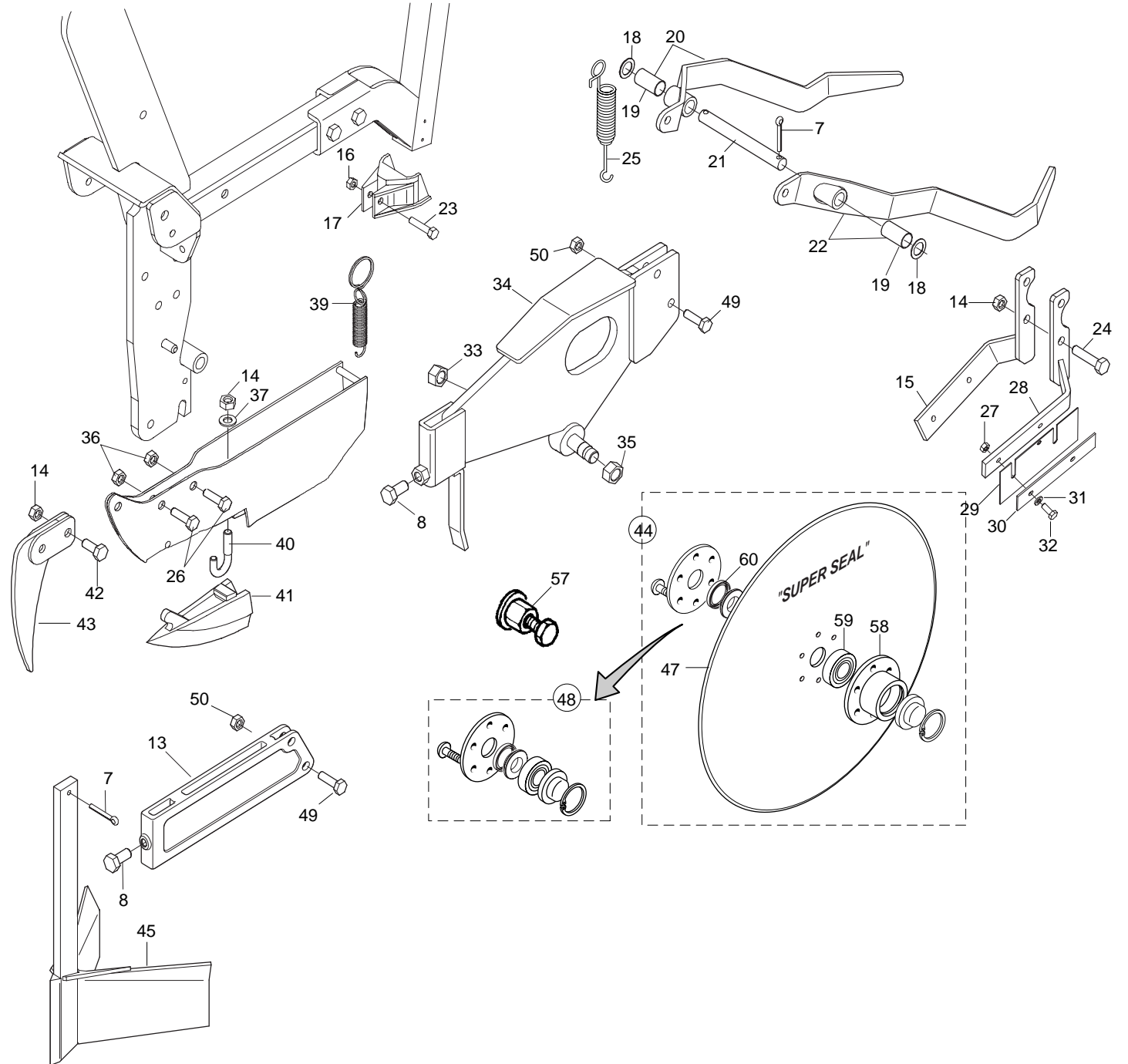
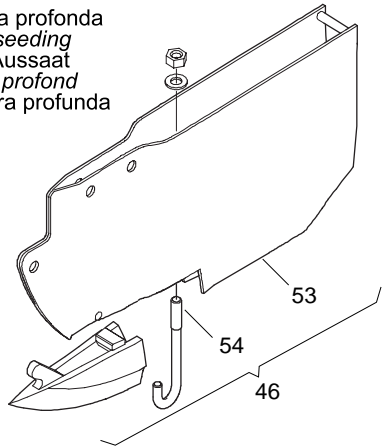
Mais-Girasole-Soia
 Corn-Sunflower-Soybeans
 Mais-Sonnenblumen-Soja
 Mais-Tournesol-Soja
 Maiz-Girasol-Soja



Arachidi
 Peanuts
 Erdnüsse
 Cacahuètes
 Cacahuètes



Semina profonda
 Deep seeding
 Tiefe Aussaat
 Semis profunda
 Siembra profunda

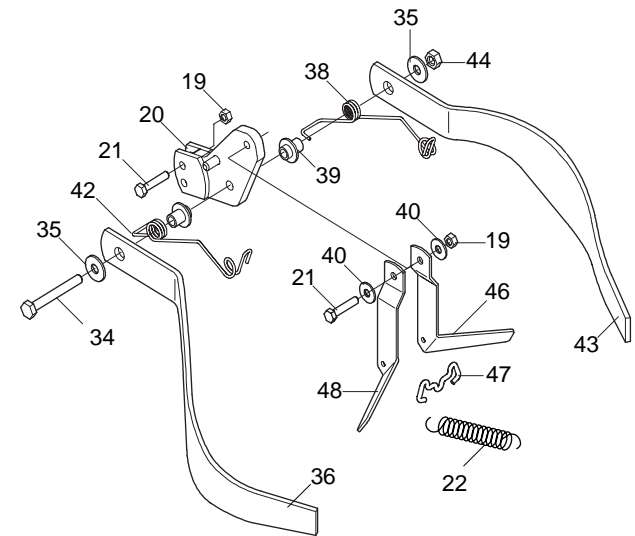
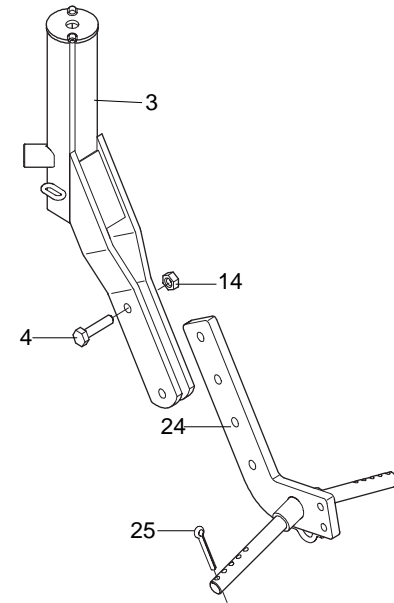
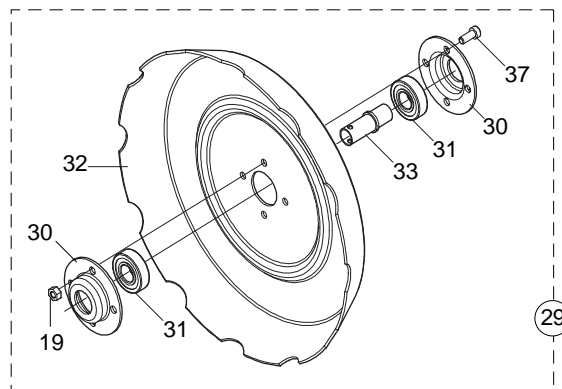
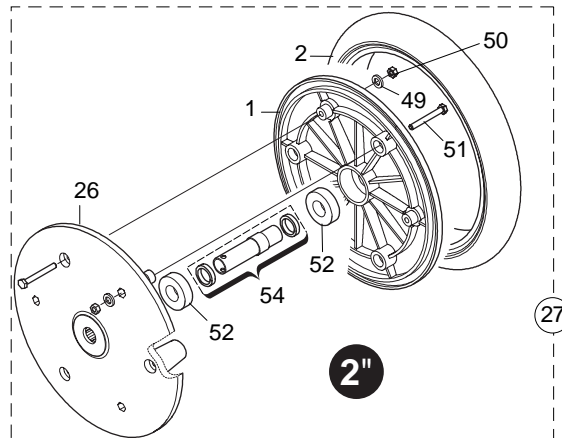
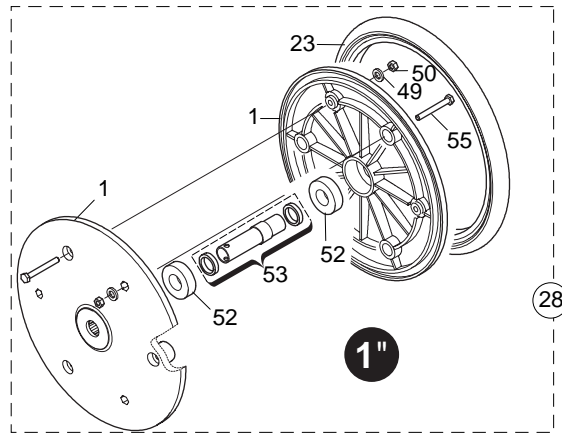
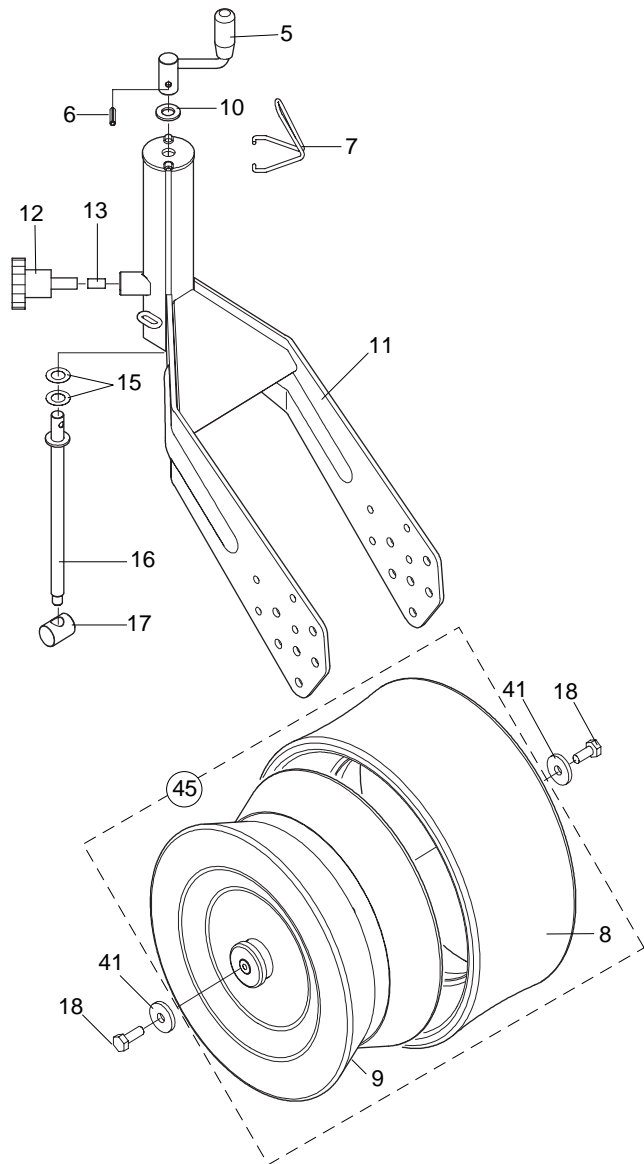


ELEMENTI ASSOLCATORI

TAV. 131

| Pos. | Cod. | Descrizione | Description | Description | Benennung | Descripcion |
|------|-----------|--------------------------------|--------------------------------|--------------------------------|---------------------------------|--------------------------------|
| 1 | G65337015 | MOLLA TRAZ.ZN REGOL.ELEM. SP | TRACTION SPRING ZN REGUL. ELEM | RESSORT TRACT. ZN REGL. ELEMEN | ZUGFEDER ZN ELEMENTEINSTELLUNG | MUELLE TRAC. ZN REGUL.ELEM. SP |
| 2 | G18903690 | ATTACCO MOLLA | SPRING COUPLING | FIXATION RESSORT | KUPPLUNG FEDER | CONEXIN MUELLE O |
| 3 | G15422420 | ATTACCO MOLLA SPARTIZOLLE | SOD BREAKER SPRING COUPLING | FIXATION RESSORT ECART. MOTTES | FEDERANSCHLUSS KLOTENRZUMER | CONEXIN MUELLE DIVISOR TERRONO |
| 4 | F01220022 | DADO M 8X1,25 D980 8 ZN | SELF LOCKING NUT M8X1,25 980V | ECROU AUTOBL. M8X1,25 980-V | SELBSTSP.MUTT. M8X1,25 980-V | DADO AUTOBL. M8X1,25 980-V |
| 5 | G15422400 | ASSE SPARTIZOLLE MOBILE | MOBILE SOD BREAKER SPINDLE | AXE ECARTEUR MOTTES MOBILE | ACHSE MOBILER KLOTENRZUMER | EJE DIVISOR DE TERRONES MVIL A |
| 6 | G15422390 | SUPPORTO SPARTIZOLLE MOBILE | MOBILE SOD BREAKER SUPPORT | SUPP. ECARTEUR MOTTES MOBILE | HALTERUNG MOBILER KLOTENRZUMER | SOPORTE DIVISOR DE TERRONES MO |
| 7 | F02200227 | COPIGLIA 5X 30 U1336 ZN | SPLIT PIN 5 X30 1336 GALVAN. | GOUPILLE 5 X30 1336 ZN | SPLINT 5 X30 1336 ZN | PASADOR 5 X30 1336 ZN |
| 8 | F01020510 | VITE M12X1,75X30 U5739 8.8 ZN | BOLT M 12X30 | VIS M 12X30 | SCHRAUBE M 12X30 | TORNILLO M 12X30 |
| 9 | G15422410 | FERMO SPARTIZOLLE MOBILE | MOBILE SOD BREAKER STOP | ARRET ECARTEUR MOTTES MOBILE | FESTSTELLVOR. MOBILER KLOTENRZ | BLOQUEO DIVISOR DE TERRONES MO |
| 10 | G18800560 | BOCCOLA 8,25 X16 X7 | BUSHING 8.25 X 16 X 7 | BOITE 8-25 X16 X7 | BsCHSE 8-25 X16 X7 | CASQUILLO 8-25 X16 X7 |
| 11 | F01420048 | ROS.M8 8,4X 24X 2 U6593 ZN | PLANE WASHER D.8 | RONDELLE D.8 | SCHEIBE D.8 | ARANDELA D.8 |
| 12 | F01020063 | VITE M8X1,25X 35 U5737 8.8 ZN | BOLT 8 X35 5737 8.G GALVANIZED | VIS 8 X35 5737 8.G ZN | SCHRAUBE 8 X35 5737 8.G ZN | TORNILLO 8 X35 5737 8.G ZN |
| 13 | G19203990 | SUPP.SPARTIZOLLE | | | | |
| 14 | F01200270 | DADO M10X 1,5 U5588 6.8 ZN | NUT M10 | ECROU M10 | MUTTER M10 | DADO M10 |
| 15 | G15422211 | SUPP.RASCHIATERRA DISCHI DX | RIGHT SOIL SCRAPER DISC SUPP. | SUPP.RACLE-BOUE DISQUES DRT | HALTER.ERDSCHABER SCHEIBEN REC | SOP.RASCADOR TIERRA DISCOS DER |
| 16 | F01230022 | DADO M 6X 1 D982 8 ZN | NORM.SELF-LOCKING NUT 6 GALVAN | ECROU AUTOB.NOR.6 ZN | SELBSTSP. MUTTER NOR.6 ZN | TUERCA AUTOB. NOR. 6 ZN |
| 17 | F19002701 | PROTEZIONE FOTOCPELLULA > | PHOTOCELL PROTECTION | PROTECT CAPT PHOTOC SP4 > | SCHUTZ PHOTOZELLE | PROTECCIN FOTOCPELLULA PR |
| 18 | G18701820 | RONDELLA 16,5X25X1,0 ZN | WASHER 16.5 X 25 X 1- GALVAN. | RONDELLE 16,5 X25 X1 ZN | UNTERLEGSSCHEIBE 16,5 X25 X1 ZN | ARANDELA 16,5 X25 X1 ZN |
| 19 | F04150024 | BOCCOLA PAP 15X17X25 | PAP BUSH 15X17X25 | BOITE PAP 15X17X25 | BsCHSE PAP 15X17X25 | CASQUILLO PAP 15X17X25 |
| 20 | G16620690 | COPRISEME MAIS DX | | | | |
| 21 | G15421080 | ASSE COPRISEME ZN | SEED COVER SPINDLE ZN | AXE COUVRE-GRAINES | SAMENDECKACHSE ZN | EJE CUBRESEMILLA ZN |
| 22 | G16620700 | COPRISEME MAIS SX | | | | |
| 23 | F01020408 | VITE M 6X 1X 30 U5739 8.8 ZN | BOLT M6X1X30 | VIS M6X1X30 | SCHRAUBE M 6X1X30 | TORNILLO M 6X1X30 |
| 24 | F01020110 | VITE M10X 1,5X40 U5737 8.8 ZN | BOLT 10X40 5737 8.G GALVANIZED | VIS 10X40 5737 8.G ZN | SCHRAUBE 10X40 5737 8.G ZN | TORNILLO 10X40 5737 8.G ZN |
| 25 | G18903170 | MOLLA TRAZ.ZN RASCHIAT. SP530 | TRACTION SPRING ZN SCRAPER SP5 | RESSORT TRACT. ZN RACLEUR SP53 | ZUGFEDER ZN ABSCHABER SP530 | MUELLE TRAC. ZN RASCADOR SP530 |
| 26 | F01020476 | VITE M10X 1,5X30 U5739 8.8 ZN | BOLT M 10X30 | VIS M 10X30 | SCHRAUBE M 10X30 | TORNILLO M 10X30 |
| 27 | F01200232 | DADO M 6X 1 U5588 6.8 ZN | | | | |
| 28 | G15422221 | SUPP.RASCHIATERRA DISCHI SX | LEFT SOIL SCRAPER DISC SUPP. | SUPP.RACLE-BOUE DISQUES GCH | HALTER.ERDSCHABER SCHEIBEN LIN | SOP.RASCADOR TIERRA DISCOS IZQ |
| 29 | G15422231 | RASCHIATERRA DISCO | | | | |
| 30 | G15423400 | DISTANZIALE | SPACER | ENTRETOISE | DISTANZSTsCK | DISTANZSTsCK |
| 31 | F01420036 | ROS.M6 6,4X 18X 2 U6593 ZN | FLAT WASHER 6-6X 18X2 6593 ZN | ROND. PLATE 6-6X 18X2 6593 ZN | SCHEIBE 6-6X 18X2 6593 ZN | ARAND. PLANA 6-6X 18X2 6593 ZN |
| 32 | F01020403 | VITE M 6X 1X 16 U5739 8.8 ZN | BOLT M6X16 | VIS M6X16 | SCHRAUBE M6X16 | TORNILLO M 6X16 |
| 33 | F01200442 | DADO M16X 1,5 U5589 6.8 ZN | NUT 16X1-5 UNI 5589 6.8 GALVAN | ECROU 16X1-5 UNI 5589 6.8 ZN | MUTTER 16X1-5 UNI 5589 6.8 ZN | TUERCA 16X1-5 UNI 5589 6.8 ZN |
| 34 | G15422361 | SUPPORTO DISCHI | DISKS SUPPORT | SUPPORT DISQUES | SCHEIBENHALTERUNG | SOPORTES DISCOS |
| 35 | G15220540 | DADO M16X1,5 SX | NUT M16X1-5 LEFT | ECROU M16X1-5 GCH | MUTTER M16X1-5 LI | TUERCA M16X1-5 IZQ |
| 36 | F01220033 | DADO M10X 1,5 D980 8 ZN | NUT M10X 1,5 D980 8 ZB | ECRO.M10X 1,5 D980 8 ZB | MUTT.M10X 1,5 D980 8 ZB | TUER.M10X 1,5 D980 8 ZB |
| 37 | F01430023 | ROS.M10 10,5X 18X0,9 U8842J ZN | WASHER D10 DIN 6798 D.INT.ZN | RONDELLE D10 DIN 6798 D. INT. | UNT. SCHEIBE D10 DIN 6798 D.IN | ARANDELA D10 DIN 6798 D.INT.ZN |
| 38 | G15420713 | LAMIERE FALCIONE MAIS SP540 | MAIZE COULTER SHEET SP540 | TÉLES SOC MA#S SP540 | BLECHE S-SCHAR MAIS SP540 | CHAPAS BOTA MA-Z SP540 |
| 39 | G18902481 | MOLLA TRAZIONE AGG.FALCIONE | COULTER HOOK-UP TRACT. SPRING | RESSORT TRACTION FIX. SOC | ZUGFEDER KUPPL. SÄSCHAR | MUELLE TRACCIÓN CONEX. BOTA |
| 40 | G22270428 | GANCIO TAGLIENTE SP/S | HOOK - CUTTER SP/S | CROCHET HACHOIR SP/S | HAKEN SZSCHAR SP/S | GANCHO GUADA%ADORA SP/S |
| 41 | G22270397 | TAGLIENTE FALCIONE MAIS SP/S | CORN CUTTER EDGE SP/S | POINTE DE SOC MAIS SP520/540 | SCHARSCHNEIDE MAIS SP/S | FILO DE CORTE. GUADA%AD. MAIZ |
| 42 | F01020472 | VITE M10X 1,5X25 U5739 8.8 ZN | BOLT 10X25 5739 8.G GALVANIZED | VIS 10X25 5739 8.G ZN | SCHRAUBE 10X25 5739 8.G ZN | TORNILLO 10X25 5739 8.G ZN |
| 43 | G15423390 | PROLUNGA FALCIONE | COULTER EXTENSION | RALLONGE SOC | VERLÄNGERUNG SÄSCHAR | PROLONGACIÓN BOTA |
| 44 | G15225500 | DISCO ASSOLC.PROTETTO COMPL. | COMPL. PROTECTED DISC COULTER | DISQUE DU SOC PROT+G+ COMPLET | GESCH_TZTE FURCHENFORMSCHEIBE | DISCO SURC.PROTEGIDO COMPL. |
| 45 | G15420852 | ASS.SPIANATERRA | GROUND LEVELLER | CHASSE MOTTE SP540 | EINHEIT ERDEBNER | APLANADORA DE TIERRA |
| 46 | G16620231 | FALCIONE SEMINA PROFONDA | DEEP SEEDING COULTER | SOC SEMIS PROFOND | S-SCHAR TIEFE SAAT | BOTA SIEMBRA PROFUNDA |
| 47 | G13825091 | DISCO ASSOLCATORE D.373 | FURROW OPENER DISK D.373 | DISQUE D. 373 6 T.D.6 | SCHEIBE SZSCHARENREISSER D.373 | DISCO SURCADOR D.373 |
| 48 | G15226600 | KIT X DISCO SUPER SEAL | | | | |
| 49 | F01020479 | VITE M10X 1,5X35 U5739 8.8 ZN | BOLT M 10X35 | VIS M 10X35 | SCHRAUBE M 10X35 | TORNILLO M 10X35 |
| 50 | F01200416 | DADO M10X 1,5 U5589 6S ZN | NUT 10 UNI5589 6.8 GALVANIZED | ECROU 10 UNI 5589 6.8 ZN | MUTTER 10 UNI 5589 6.8 ZN | TUERCA 10 UNI 5589 6.8 ZN |
| 51 | G16620240 | SUPPORTO FALCIONE ARACHIDI | SUPPORT PEANUT CUTTER | SUPPORT HACHOIR ARACHIDES | HALTERUNG SZSCHAR ERDN_SSE | SOPORTE GUADA%ADORA CACAHUETE |
| 52 | G16620260 | FALCIONE ARACHIDI COMPL.SP540 | COMPL. PEANUT COULTER SP540 | HACHOIR ARACHIDES COMPL.SP540 | S-SCHAR ERDN_SSE KOMPL.SP540 | BOTA CACAHUETES COMPL. SP540 |
| 53 | G16620181 | SUPPORTO FALCIONE SEMINA PROF. | CUTTER SUPPORT ASS. DEEP SEEDI | SUPPORT DE SOC SEMIS PROFOND | HALTERUNG SZSCHAR TIEFE AUSSA | CONJ. SOPORTE GUAD. SIEMBRA PR |
| 54 | G16620220 | GANCIO TAGLIENTE SEM.PROFONDA | HOOK - CUTTER DEEP SEEDING | CROCHET HACHOIR SEMIS PROFOND | HAKEN SZSCHAR TIEFE AUSSAAT | GANCHO FILO DE CORTE SIEMBRA P |
| 55 | F01020481 | VITE M10X 1,5X40 U5739 8.8 ZN | BOLT 10X40 5739 8.G GALVANIZED | VIS 10X40 5739 8.G ZN | SCHRAUBE 10X40 5739 8.G ZN | TORNILLO 10X40 5739 8.G ZN |
| 56 | G15420735 | MONT.FALCIONE MAIS SP99 | | | | |
| 57 | G15225240 | ESTRATTORE DISCHI ELEMENTO MT | SEED PLATE EXTRACTOR ELEM. MT | EXTRACTEUR DISQUE ELEMENT MT | SCHEIBENAUSSZIEHER ELEMENT MT | EXTRACTOR DISCOS ELEMENTO MT |
| 58 | G15223651 | SUPPORTO CUSCINETTO DISCO | DISK BEARING SUPPORT | SUPPORT PALIER DISQUE | SCHEIBENLAGERBsCHSE | SOPORTE COJINETE DISCO |
| 59 | F04010084 | CUSC.D17D47 B22,2 3303 LLU/DDU | BEARING 3303 2RS | PALIER 3303 2RS | LAGER 3303 2RS | COJINETE 3303 2RS |
| 60 | F03011075 | AN. TENUTA B1OF 24X32X4 | SEALING RING G24X32X4 | BAGUE D'ETANCHEITE G24X32X4 | DICHTRING G24X32X4 | ANILLO AISLADOR G24X32X4 |

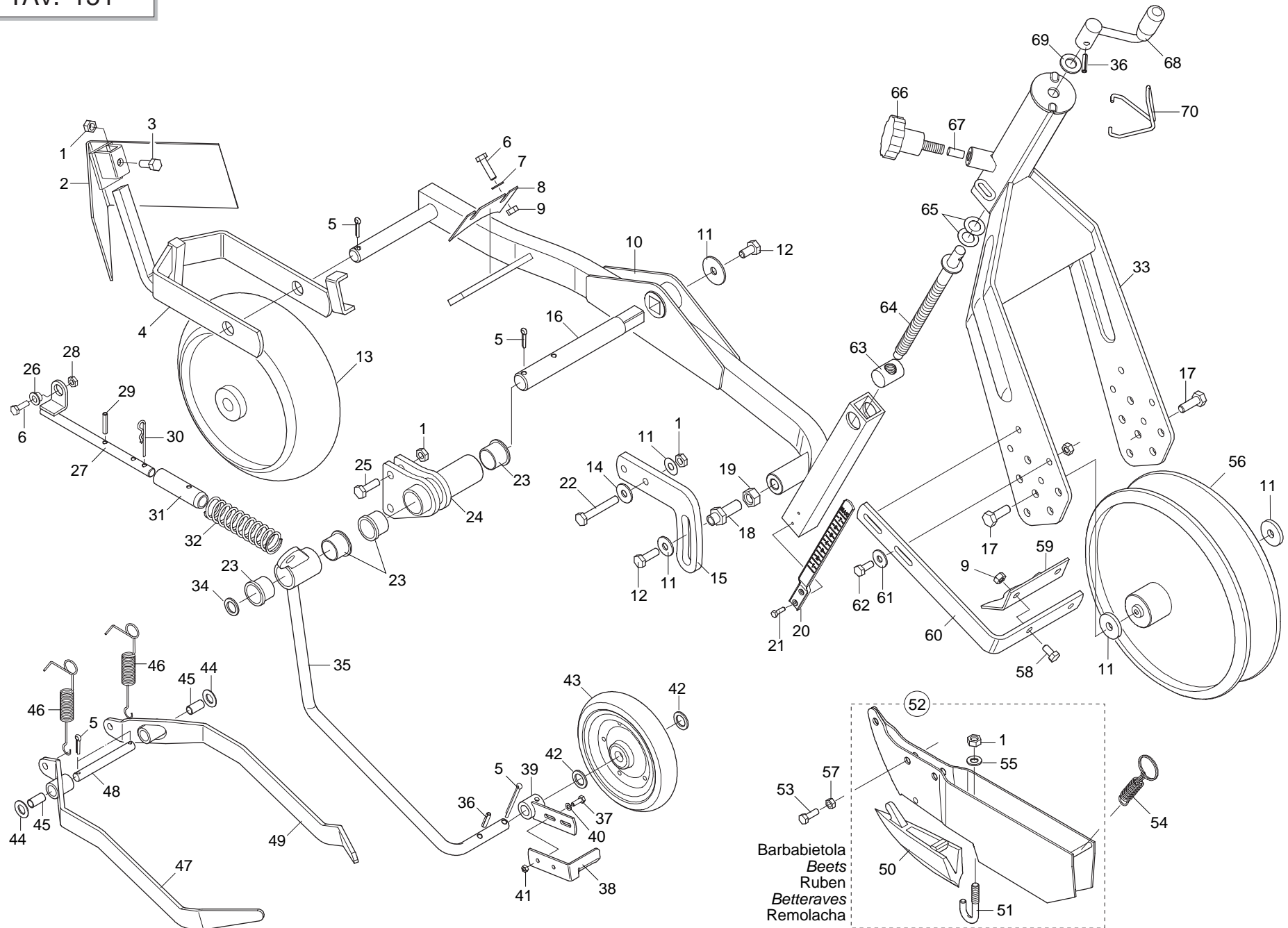
TAV. 141



RUOTE DI COMPRESSIONE

TAV. 141

| Pos. | Cod. | Descrizione | Description | Description | Benennung | Descripcion |
|------|-----------|--------------------------------|--------------------------------|---------------------------------|--------------------------------|--------------------------------|
| 1 | F06120146 | SEMICERCHIO PLA RUOTA 1" | PLASTIC HALF RIM 1" WHEEL | DEMI-JANTE PLAST. ROUE 1" | HALBFELGE PLA RAD 1" | SEMIARO PL-ST.RUEDA 1" |
| 2 | F06120165 | COPERTURA 2' X 13' | RUBBER RING 2X13' | COUVERT FARMF ROUE COMPR 2"X13' | MANTEL 2' X 13' | CUBIERTA 2' X 13' |
| 3 | G15420913 | SUPPORTO RUOTE A V | V-WHEEL SUPPORT | SUPPORT ROUES EN V | V RADER HALTERUNG | SOPORTE RUEDAS A V |
| 4 | F01020481 | VITE M10X 1,5X40 U5739 8.8 ZN | BOLT 10X40 5739 8.G GALVANIZED | VIS 10X40 5739 8.G ZN | SCHRAUBE 10X40 5739 8.G ZN | TORNILLO 10X40 5739 8.G ZN |
| 5 | G22270235 | MANIGLIA REGOLAZIONE B4 | ADJUSTMENT HANDLE B4 | POIGNEE REGLAGE B4 | EINSTELLGRIFF B4 | MANIJA REGULACIN B4 M |
| 6 | F02100109 | SPINA E.P. 6X 24 U6873 C70 BR | PIN EL. .6 X24 DIN 1481 | FICHE EL. 6 X24 DIN 1481 | SPANNSTIFT 6 X24 DIN 1481 | CLAVIJA EL.6 X24 DIN 1481 |
| 7 | G65336100 | MOLLA SPEC.FERMO MANIGLIA SP | SPEC SPRING HANDLE STOP SP | RESSORT SPEC. ARRET POIGNEE SP | SPEZIALFEDER GRIFFSPERRE SP | MUELLE ESPEC. BLOQUEO MANIJA S |
| 8 | F06120155 | COPERTURA FARMF.370X165 'A' | COVERING FARMF.370X165 'A' | COUVERTURE FARMF. 370X165 'A' | MANTEL FARMF.370X165 'A' | CUBIERTA FARMF.370X165 'A' |
| 9 | F06120022 | CERCHIO FARMF.370X165 COMPL. | FARMFLEX RING 370X165 ASSY. | JANTE FARMF. 370X165 COMPL. | REIFEN FARMF.370X165 KOMPL. | LLANTA FARMF.370X165 COMPL. |
| 10 | F01410088 | ROS.M14 15X 28X2,5 U6592 ZN | WAS.M14 15X 28X2,5 U6592 ZB | RON.M14 15X 28X2,5 U6592 ZB | SCH.M14 15X 28X2,5 U6592 ZB | ARA.M14 15X 28X2,5 U6592 ZB |
| 11 | G16620430 | SUPPORTO RUOTE | | | | |
| 12 | F06220013 | VOLANT.8L.PERN.M12X30-40 VPA55 | 8-LOBE PIN HANDWHEEL M12X30-40 | VOLANT 8 LOBES PIVOT M12X30-40 | HANDRAD.8L.ZAPFENM12X30-40 VPA | VOLDEL.8L.PERN.M12X30-40 VPA55 |
| 13 | G14820991 | FERMO REGOLAZIONE | ADJUSTMENT STOP | BUTEE REGLAGE | EINSTELLUNGSSPERRE | BLOQUEO REGULACIEN |
| 14 | F01200270 | DADO M10X 1,5 U5588 6.8 ZN | NUT M10 | ECROU M10 | MUTTER M10 | DADO M10 |
| 15 | G22220073 | RONDELLA 28X0,3X16,5 | WASHER 28X0-3X16-5 | RONDELLE 28X0-3X16-5 | UNTERLEGSSCHEIBE 28X0-3X16-5 | ARANDELA 28X0-3X16-5 |
| 16 | G22230062 | VITE DI REGOLAZIONE | ADJUSTMENT BOLT | VIS DE REGLAGE | EINSTELLSCHRAUBE | TORNILLO DE REGULACIN S |
| 17 | G22230063 | ELEMENTO ARTICOLATO | ARTICULATED ELEMENT | ELEMENT ARTICULE | GELENELEMENT | ELEMENTO ARTICULADO |
| 18 | F01020476 | VITE M10X 1,5X30 U5739 8.8 ZN | BOLT M 10X30 | VIS M 10X30 | SCHRAUBE M 10X30 | TORNILLO M 10X30 |
| 19 | F01220022 | DADO M 8X1,25 D980 8 ZN | SELF LOCKING NUT M8X1,25 980V | ECROU AUTOBL. M8X1,25 980-V | SELBSTSP.MUTT. M8X1,25 980-V | DADO AUTOBL. M8X1,25 980-V |
| 20 | G15423460 | ATTACCO COPRISEME RASCHIATERRA | SOIL SCRAPER SEED COV.LINKAGE | FIXATION COUVRE-GRAINES RACLEU | KUPPLUNG SAMENABDEC.ERDSCHABER | CONEXIÓN CUBRESEM.RASCADOR TI. |
| 21 | F01020449 | VITE M 8X1,25X35 U5739 8.8 ZN | BOLT M8X35 | VIS M8X35 | SCHRAUBE M 8X35 | TORNILLO M 8X35 |
| 22 | G65337028 | MOLLA TRAZ.ZN SUPP.RUOTA SV | TRACTION SPRING ZN WHEEL SUPP. | RESSORT TRACT. ZN SUPPORT ROUE | ZUGFEDER ZN RADHALTERUNG SV | MUELLE TRAC. ZN SOPORTE RUEDA |
| 23 | F06120181 | ANELLO IN GOMMA 1 POLLICE MT | RUBBER RING 1X12' | COUVERT FARMF ROUE COMPR 1"X12' | MANTEL FARMF.R.DRUCK .MT | CUBIERTA FARMF. R. COMPR. MT |
| 24 | G15423840 | REGOLAZIONE RUOTE | WHEEL ADJUSTMENT | REGLAGE ROUES | RADEINSTELLUNG | REGULACIÓN RUEDAS |
| 25 | F02200227 | COPIGLIA 5X 30 U1336 ZN | SPLIT PIN 5 X30 1336 GALVAN. | GOUPILLE 5 X30 1336 ZN | SPLINT 5 X30 1336 ZN | PASADOR 5 X30 1336 ZN |
| 26 | F06120147 | SEMICERCHIO PLA RUOTA 2" | PLASTIC HALF RIM 2' WHEEL | DEMI-JANTE PLAST. ROUE 2" | HALBFELGE PLA RAD 2" | SEMIARO PL-ST.RUEDA 2" |
| 27 | F06120075 | RUOTA DA 2 POLLICI MT | RUBBER WHEEL 2'X13' PLA.2 BEAR | ROUE CAOUTCHOUTEE | GUMMIRAD | RUEDA DE CAUCHO |
| 28 | F06120076 | RUOTA DA 1 POLLICE MT | RUBBER WHEEL 1'X12' PLA.2 BEAR | ROUE CAOUTCHOUTEE | GUMMIRAD | RUEDA DE CAUCHO |
| 29 | G15423860 | RUOTA POSTERIORE COMPL. | REAR WHEEL ASSY | ROUE POSTERIEURE COMPL. | HINTERES RAD KOMPLETT | RUEDA TRASERA COMPL. |
| 30 | G16242190 | SUPPORTO CUSCINETTO | BEARING SUPPORT | SUPPORT PALIER | LAGERBSCHSE | SOPORTE COJINETE |
| 31 | F04010165 | CUSC.D20 D47 B14 6204,2RSC3 | BEARING 6204 2RS | PALIER 6204 2RS | LAGER 6204 2RS | COJINETE 6204 2RS |
| 32 | G14820871 | RUOTA POSTERIORE FERRO | REAR IRON WHEEL | ROUE ARRIERE FER | EISENHINTERRAD | RUEDA TRAS. HIERRO |
| 33 | G15423850 | BOCCOLA RUOTA FERRO | STEEL WHEEL BUSH | DOUILLE ROUE FER | BÜCHSE EISENRAD | BUJE RUEDA DE HIERRO |
| 34 | F01020128 | VITE M10X 1,5X80 U5737 8.8 ZN | | | | |
| 35 | F01420060 | ROS.M10 10,5X 30X2,5 U6593 ZN | WASHER 10,5X30 | RONDELLE 10,5X30 | SCHEIBE 10,5X30 | ARANDELA 10,5X30 |
| 36 | G10120621 | COPRISEME SX | LEFT SEED COVER | COUVRE-GRAINES GHT. | LINKER SAMENABDECKER | CUBRESEMILLA IZQ. |
| 37 | F01040091 | VITE M 8X1,25X20 U5931 8.8 ZN | SCREW 8 X20 5931 8.G ZN | VIS 8 X20 5931 8.G ZN | SCHRAUBE 8 X20 5931 8.G ZN | TORNILLO 8 X20 5931 8.G ZN |
| 38 | G18902910 | MOLLA COPRISEME DX SP | RIGHT SEED COVER SPRING SP | RESSORT COUVRE-GRAINE DRT SP | FEDER SAMENABDECKER RE SP | MUELLE CUBRESEMILLAS DER SP |
| 39 | G15422500 | BOCCOLA SUPP.MOLLA COPRISEMI | SEED COVER SPRING SUPPORT BUSH | BOITE SUPP. RESSORT COUVRE-GR. | BsCHSE HALTERUNG FEDERSAMENABD | CASQUILLO SUPER.MUELLE CUBRESE |
| 40 | F01420048 | ROS.M8 8,4X 24X 2 U6593 ZN | PLANE WASHER D.8 | RONDELLE D.8 | SCHEIBE D.8 | ARANDELA D.8 |
| 41 | G18701140 | RONDELLA 11 X35 X5 | WASHER 11 X 35 X 5 | RONDELLE 11 X35 X5 | UNTERLEGSSCHEIBE 11 X35 X5 | ARANDELA 11 X35 X5 |
| 42 | G18902920 | MOLLA COPRISEME SX SP | LEFT SEED COVER SPRING SP | RESSORT COUVRE-GRAINE GCH SP | FEDER SAMENABDECKER LI SP | MUELLE CUBRESEMILLAS IZQ SP |
| 43 | G10120611 | COPRISEME DX | RIGHT SEED COVER | COUVRE-GRAINES DRT. | RECHTER SAMENABDECKER | CUBRESEMILLA DER. |
| 44 | F01220033 | DADO M10X 1,5 D980 8 ZN | NUT M10X 1,5 D980 8 ZB | ECRO.M10X 1,5 D980 8 ZB | MUTT.M10X 1,5 D980 8 ZB | TUER.M10X 1,5 D980 8 ZB |
| 45 | G14821590 | RUOTA FARMFLEX 370X165 PROF.A | FARMFLEX WHEEL 370X165 DEPTH.A | ROUE FARMFLEX 370X165 PROF.A | RAD FARMFLEX 370X165PROF.A | RUEDA FARMFLEX |
| 46 | G15422481 | RASCHIATERRA DX RUOTE A V | RIGHT 'V' WHEEL SOIL SCRAPER | RACLEUR DRT ROUES EN 'V' | ERDSCHABER RE 'V'-FTRMIGE RZDE | RASCADOR TIERRA DER RUEDAS EN |
| 47 | G18902930 | AGGANCIO RASCHIATERRA | SOIL SCRAPER HOOK | ATTELAGE RACLEUR | KUPPLUNG ERDSCHABER | ENGANCHE RASCADOR TIERRA |
| 48 | G15422491 | RASCHIATERRA SX RUOTE A V | LEFT 'V' WHEEL SOIL SCRAPER | RACLEUR GCH ROUES EN 'V' | ERDSCHABER LI 'V'-FTRMIGE RZDE | RASCADOR TIERRA IZQ RUEDAS EN |
| 49 | F01410037 | ROS.M6 6,4X12,5X1,6 U6592 ZN | PLANE WASHER D.6 | RONDELLE D.6 | SCHEIBE D.6 | ARANDELA D.6 |
| 50 | F01230022 | DADO M 6X 1 D982 8 ZN | NORM.SELF-LOCKING NUT 6 GALVAN | ECROU AUTOB.NOR.6 ZN | SELBSTSP. MUTTER NOR.6 ZN | TUERCA AUTOB. NOR. 6 ZN |
| 51 | F01020042 | VITE M 6X 1X 50 U5737 8.8 ZN | BOL.M 6X 1X 50 U5737 8.8 ZG | VIS 6 X50 5737 8.G ZN | SCHRAUBE 6 X50 5737 8.G ZN | TORNILLO 6x50 5737 8.G ZN |
| 52 | F04010131 | CUSC.D20 D42 B12 6004-2RSH EX> | BEARING 6004 2RS EX. SKF | ROULEMENT 6004 | LAGER 6004 | COJINETE 6004 |
| 53 | G15226610 | KIT DIST./GUARNIZIONI RUOTA V1 | | | | |
| 54 | G15226620 | KIT DIST./GUARNIZIONI RUOTA V2 | | | | |
| 55 | F01020406 | VITE M 6X 1X 25 U5739 8.8 ZN | BOLT M6X25 | VIS M6X25 | SCHRAUBE M6X25 | TORNILLO M6X25 |

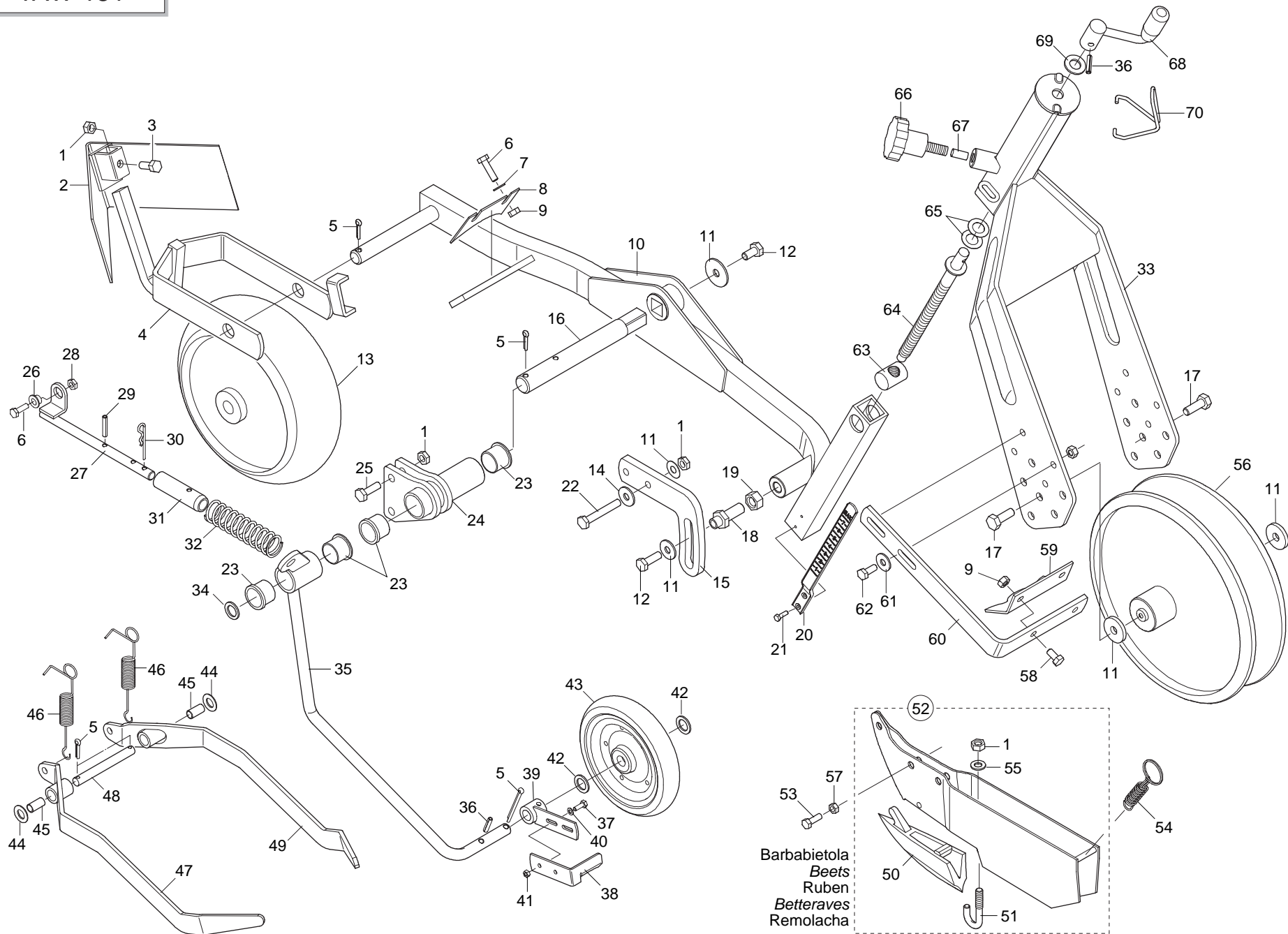


Barbabetola
 Beets
 Ruben
 Betteraves
 Remolacha

BILANCIERE

TAV. 151

| Pos. | Cod. | Descrizione | Description | Description | Benennung | Descripcion |
|------|-----------|--------------------------------|--------------------------------|--------------------------------|---------------------------------|--------------------------------|
| 1 | F01200270 | DADO M10X 1,5 U5588 6.8 ZN | NUT M10 | ECROU M10 | MUTTER M10 | DADO M10 |
| 2 | G22270241 | SPARTIZOLLE BILANCIERE B4 | SOD-BREAKER ROCKERS B4 | ECARTEUR DE MOTTES BALANCIER B | KIPPHEBEL KLOTENRZUMER B4 | DIVISOR DE TERRONES BALANCN BS |
| 3 | F01020472 | VITE M10X 1,5X25 U5739 8.8 ZN | BOLT 10X25 5739 8.G GALVANIZED | VIS 10X25 5739 8.G ZN | SCHRAUBE 10X25 5739 8.G ZN | TORNILLO 10X25 5739 8.G ZN |
| 4 | G15422672 | SUPPORTO RUOTA COMPRESSIONE | COMPRESS. WHEEL SUPPORT | SUPPORT ROUE DE COMPRESSION | HALTERUNG KOMPRESSIONSRAD | SOPORTE RUEDA DE COMPRESION |
| 5 | F02200246 | COPIGLIA 6X 45 U1336 ZN | SPLIT PIN 6 X45 1336 GALVAN. | GOUPILLE 6 X45 1336 ZN | SPLINT 6 X45 1336 ZN | PASADOR 6 X45 1336 ZN |
| 6 | F01020440 | VITE M 8X1,25X25 U5739 8.8 ZN | BOLT M8 X25 5739 8.8 ZN | VIS M8 X25 5739 8.8 ZN | SCHRAUBE M8 X25 5739 8.8 ZN | TORNILLO M8 X25 5739 8.8 ZN |
| 7 | F01410051 | ROS.M8 8,4X 17X1,6 U6592 ZN | PLANE WASHER D.8 | RONDELLE D.8 | SCHEIBE D.8 | ARANDELA D.8 |
| 8 | G15420510 | RASCHIATERRA BILANCIERE | SOIL SCRAPER ROCKER | RACLEUR BALANCIER | ERDSCHABER KIPPHEBEL | RASCADOR TIERRA BALANCN R |
| 9 | F01200244 | DADO M 8X1,25 U5588 6.8 ZN | NUT M8 | ECROU M8 | MUTTER M8 | DADO M8 |
| 10 | G16620440 | BILANCIERE | ROCKER | BALANCIER | KIPPHEBEL | KIPPHEBEL |
| 11 | G18701140 | RONDELLA 11 X35 X5 | WASHER 11 X 35 X 5 | RONDELLE 11 X35 X5 | UNTERLEGSSCHEIBE 11 X35 X5 | ARANDELA 11 X35 X5 |
| 12 | F01020470 | VITE M10X 1,5X20 U5739 8.8 ZN | BOLT M 10X20 | VIS M 10X20 | SCHRAUBE M 10X20 | TORNILLO M 10X20 |
| 13 | G15420490 | RUOTINO ANT.BILANC.D.280 | FRONT ROCKER WHEEL D.280 | ROUET ANT. BALANC. D 260 | KLEINES VORD. RAD KIPPHEBEL D. | RUDECILLA DEL. BALANCN D.280R |
| 14 | F01420060 | ROS.M10 10,5X 30X2,5 U6593 ZN | WASHER 10,5X30 | RONDELLE 10,5X30 | SCHEIBE 10,5X30 | ARANDELA 10,5X30 |
| 15 | G15423251 | PIASTRA DI REGOLAZIONE | ADJUSTING PLATE | PLAQUE DE REGLAGE | EINSTELLPLATTE | PLACA DE REGULACIÓN |
| 16 | G15422572 | ASSE BILANCIERE | ROCKER SPINDLE | AXE BALANCIER | KIPPHEBELACHSE | EJE BALANC |
| 17 | F01020476 | VITE M10X 1,5X30 U5739 8.8 ZN | BOLT M 10X30 | VIS M 10X30 | SCHRAUBE M 10X30 | TORNILLO M 10X30 |
| 18 | G15423521 | VITE REGOLAZIONE ZN | ADJUSTING SCREW - GALVANIZED | VIS RÉGLAGE ZN | STELLSCHRAUBE ZN | TORNILLO REGULACIÓN ZN |
| 19 | F01200432 | DADO M14X 1,5 U5589 6S ZN | NUT M14X1.5 | ECROU M14X1.5 | MUTTER M14X1.5 | DADO M14X1.5 |
| 20 | G19003400 | ASTA INDICAZIONE PROFONDITA' | DEPTH INDICATING ROD | TIGE INDICATION PROFONDEUR | TIEFENANZEIGESTAB | VARILLA INDICACIÓN PROFUNDIDAD |
| 21 | F02250077 | RIVETTO STR. 3X 14 U9200A AL | 3X14 ALUMINIUM PULL RIVET | RIVET A RUPTURE 3X14 ALUMINIUM | REISSNIETE3X14 ALL. | REMACHE DESGAR. 3X14 ALL. |
| 22 | F01020122 | VITE 10X 1,5X 70 U5737 8.8 ZN | BOLT 10X 1,5X 70 U5737 8.8 ZB | VIS 10X 1,5X 70 U5737 8.8 ZB | SCHR.10X 1,5X 70 U5737 8.8 ZB | TORN.10X 1,5X 70 U5737 8.8 ZB |
| 23 | G66349003 | BOCCOLA SINT. | BUSHING- SINTERED | BOITE FRITTEE | SYNTH. BUECHSE | CASQUILLO SINT. |
| 24 | G15423680 | SUPPORTO BILANCIERE SP540 | ROCKERS SUPPORT SP540 | SUPPORT BALANCIER SP540 | EINHEIT KIPPHEBEL SP540 | SOP. BALANC N SP540 |
| 25 | F01020110 | VITE M10X 1,5X40 U5737 8.8 ZN | BOLT 10X40 5737 8.G GALVANIZED | VIS 10X40 5737 8.G ZN | SCHRAUBE 10X40 5737 8.G ZN | TORNILLO 10X40 5737 8.G ZN |
| 26 | G22250398 | BOCCOLA BRACCIO SUPERIORE SV/2 | UPPER ARM BUSHING SV/2 | BOITE BRAS SUP. SV/2 | BsCHSE OBERARM SV/2 | CASQUILLO BRAZO SUPERIOR SV/2 |
| 27 | G15423810 | SUPPORTO MOLLA | SPRING SUPPORT | SUPPORT RESSORT | FEDERHALTERUNG | SOPORTE MUELLE |
| 28 | F01220022 | DADO M 8X1,25 D980 8 ZN | SELF LOCKING NUT M8X1,25 980V | ECROU AUTOBL. M8X1,25 980-V | SELBSTSP.MUTT. M8X1,25 980-V | DADO AUTOBL. M8X1,25 980-V |
| 29 | F02100087 | SPINA E.P. 5X 30 U6873 C70 BR | PIN EL. 5 X30 DIN 1481 | FICHE EL. 5 X30 DIN 1481 | SPANNSTIFT 5 X30 DIN 1481 | CLAVIJA EL.5 X30 DIN 1481 |
| 30 | F02200363 | COPIGLIA R 3X 62 ZN | SPLIT PIN R 3X62 | GOUPILLE R 3X62 | SPLINT R 3X62 | CHAVETA R 3X62 |
| 31 | G15423820 | BOCCOLA NYLON SUPPORTO MOLLA | SPRING-SUPPORTING NYLON BUSH | DOUILLE NYLON SUPPORT RESSORT | NYLONBÜCHSE FEDERHALTERUNG | BUJE NYLON SOPORTE MUELLE |
| 32 | G18903670 | MOLLA COMPRESSIONE RUOTINO | COMPR. WHEEL SPRING | RESSORT COMPRESSION ROUET | FEDER DsNGUNG ROLLE | MUELLE COMPRESIN RUDECILLA A |
| 33 | G16620430 | SUPPORTO RUOTE | | | | |
| 34 | G18701590 | RONDELLA 25X35X2,5 ZN | WASHER 25 x 35 x2,5 ZB | RONDELLE 25 x 35 x2,5 ZB | UNTERLEGSSCHEIBE 25 x 35 x2,5 | ARANDELA 25 x 35 x2,5 ZB |
| 35 | G15423780 | SUPPORTO RUOTINO | WHEEL SUPPORT | SUPPORT ROUET | HALTERUNG ROLLE | SOPORTE RUDECILLA |
| 36 | F02100109 | SPINA E.P. 6X 24 U6873 C70 BR | PIN EL. .6 X24 DIN 1481 | FICHE EL. 6 X24 DIN 1481 | SPANNSTIFT 6 X24 DIN 1481 | CLAVIJA EL.6 X24 DIN 1481 |
| 37 | F01020378 | VITE M5X 0,8X 16 U5739 8.8 ZN | BOLT 5X16 5739 8.G GALVANIZED | VIS 5X16 5739 8.G ZN | SCHRAUBE 5X16 5739 8.G ZN | TORNILLO 5X16 5739 8.G ZN |
| 38 | G15423271 | RASCHIATERRA | SOIL SCRAPER | RACLEUR | ERDSCHABER | RASCADOR TIERRA |
| 39 | G15421671 | SUPPORTO RASCHIATERRA | SOIL SCRAPER SUPPORT | SUPPORT RACLEUR | HALTERUNG ERDSCHABER | SOPORTE RASCADOR TIERRA |
| 40 | F01420022 | ROS.M5 5,5X 10X 1 U6593 ZG | WASHER M5 5,5X10X1 U6593 ZG | RONDELLE M5 5,5X10X1 U6593 ZG | SCHEIBE M5 5,5X10X1 U6593 ZG | ARANDELA M5 5,5X10X1 U6593 ZG |
| 41 | F01200220 | DADO M 5X 0,8 U5588 6.8 ZN | NUT 5 UNI 5588 6.8 GALVANIZED | ECROU 5 UNI 5588 6.8 ZN | MUTTER 5 UNI 5588 6.8 ZN | TUERCA 5 UNI 5588 6.8 ZN |
| 42 | G20970025 | RONDELLA 25,2X2X16,5 | WASHER 25-2X2X16-5 | RONDELLE 25-2X2X16-5 | UNTERLEGSSCHEIBE 25-2X2X16-5 | ARANDELA 25-2X2X16-5 |
| 43 | F06120066 | RUOTINO FLEX 170 X 30 | FLEX WHEEL 170 X 30 | ROUET FLEX 170 X 30 | ROLLE FLEX 170 X 30 | RUDECILLA FLEX 170 X 30 |
| 44 | G18701820 | RONDELLA 16,5X25X1,0 ZN | WASHER 16.5 X 25 X 1- GALVAN. | RONDELLE 16,5 X25 X1 ZN | UNTERLEGSSCHEIBE 16,5 X25 X1 ZN | ARANDELA 16,5 X25 X1 ZN |
| 45 | F04150024 | BOCCOLA PAP 15X17X25 | PAP BUSH 15X17X25 | BOITE PAP 15X17X25 | BsCHSE PAP 15X17X25 | CASQUILLO PAP 15X17X25 |
| 46 | G18903170 | MOLLA TRAZ.ZN RASCHIAT. SP530 | TRACTION SPRING ZN SCRAPER SP5 | RESSORT TRACT. ZN RACLEUR SP53 | ZUGFEDER ZN ABSCHABER SP530 | MUELLE TRAC. ZN RASCADOR SP530 |
| 47 | G16620720 | COPRISEME BIETOLE SX | | | | |
| 48 | G15421080 | ASSE COPRISEME ZN | SEED COVER SPINDLE ZN | AXE COUVRE-GRAINES | SAMENDECKACHSE ZN | EJE CUBRESEMILLA ZN |
| 49 | G16620710 | COPRISEME BIETOLE DX | | | | |
| 50 | G22270226 | TAGLIENTE FALCIONE B4 SP/S | KNIFE COULTER SUGAR BEET SP | POINTE DE SOC BETT SP520/540 | SCHARSPITZE RUBE SP | PONTA SURCADOR REMOLACHA SP |
| 51 | G22270428 | GANCIO TAGLIENTE SP/S | HOOK - CUTTER SP/S | CROCHET HACHOIR SP/S | HAKEN SZSCHAR SP/S | GANCHO GUADA%ADORA SP/S |
| 52 | G15422474 | MONT.FALCIONE BIETOLE H118 | | | | |
| 53 | F01020479 | VITE M10X 1,5X35 U5739 8.8 ZN | BOLT M 10X35 | VIS M 10X35 | SCHRAUBE M 10X35 | TORNILLO M 10X35 |
| 54 | G18902481 | MOLLA TRAZIONE AGG.FALCIONE | COULTER HOOK-UP TRACT. SPRING | RESSORT TRACTION FIX. SOC | ZUGFEDER KUPPL. SÄSCHAR | MUELLE TRACCIÓN CONEX. BOTA |

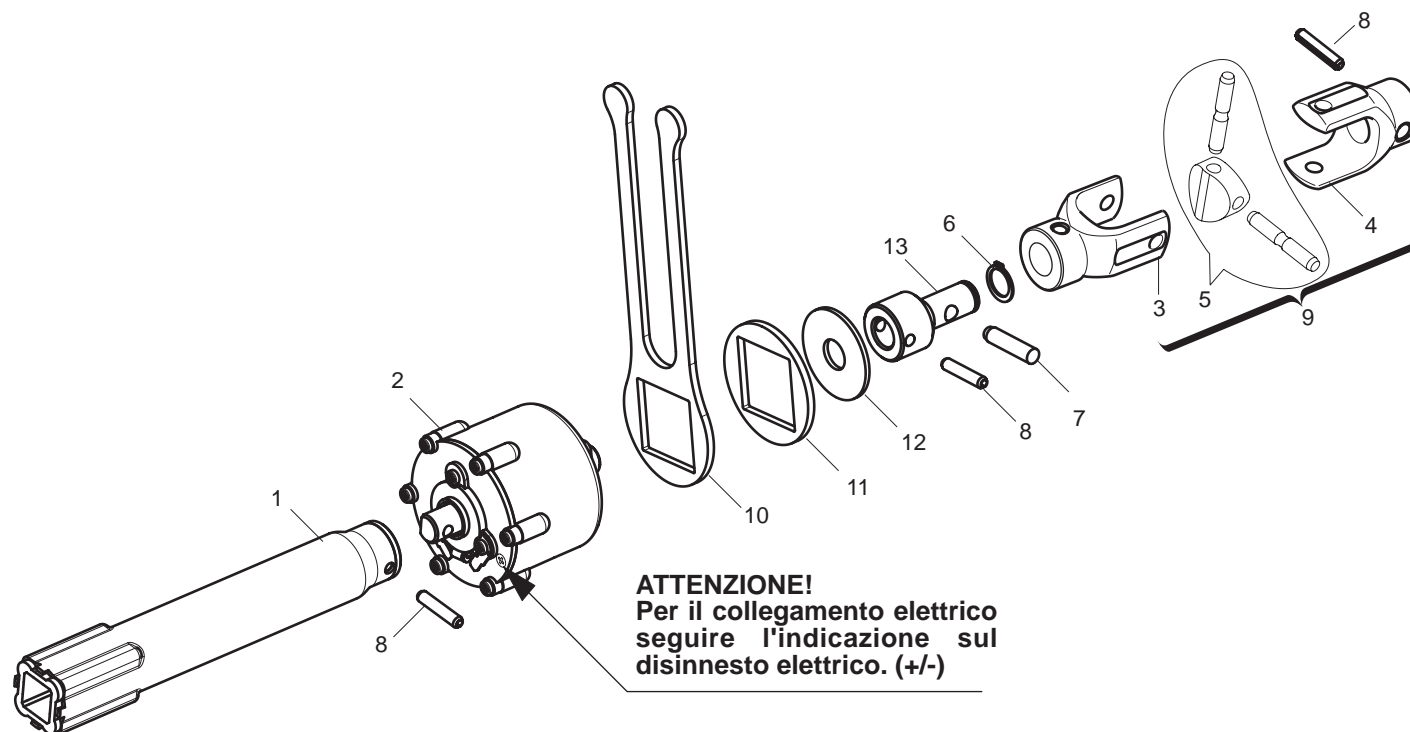


Barbabetola
Beets
Ruben
Betteraves
Remolacha

BILANCIERE

TAV. 151

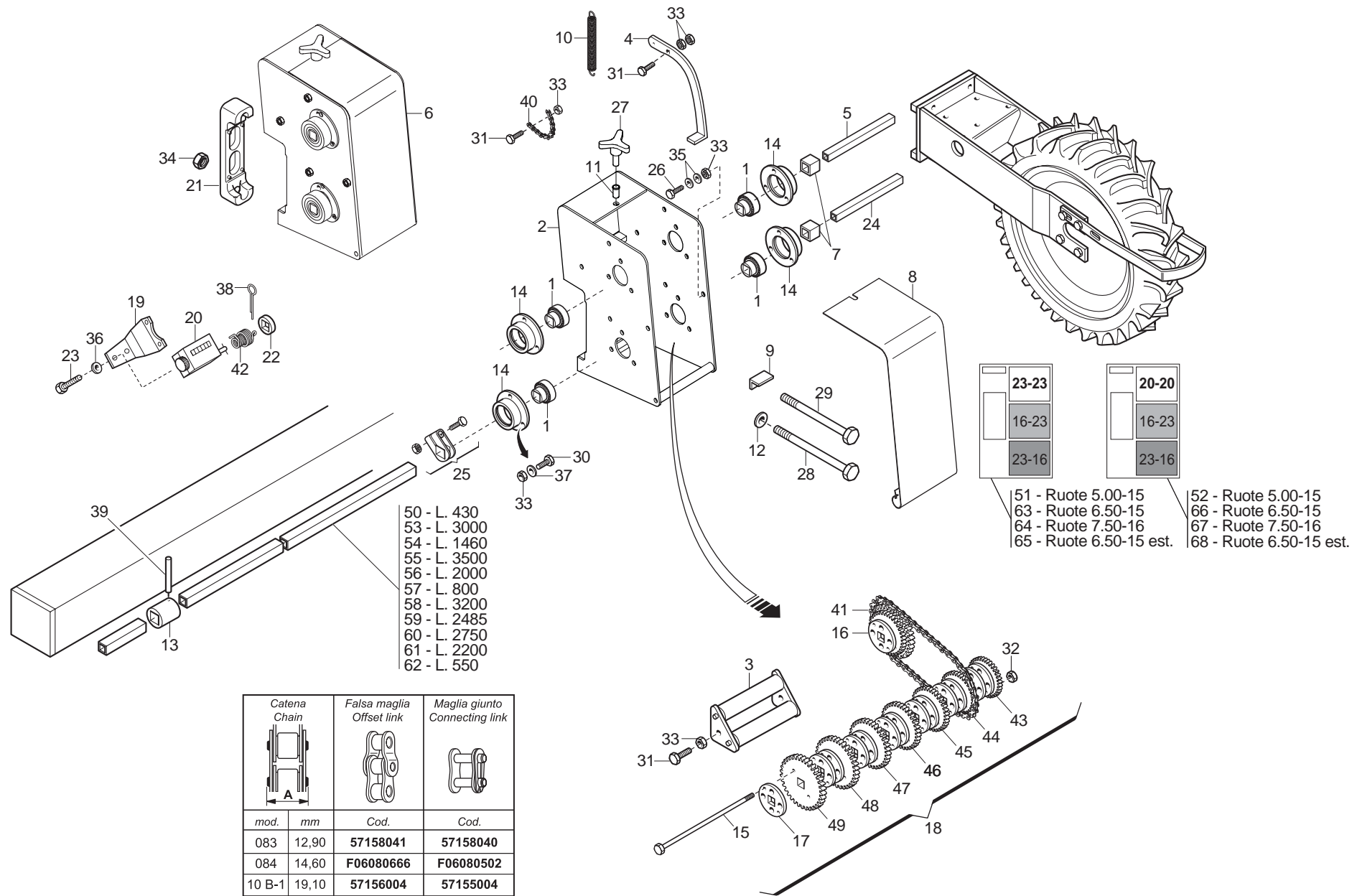
| Pos. | Cod. | Descrizione | Description | Description | Benennung | Descripcion |
|------|-----------|--------------------------------|--------------------------------|--------------------------------|--------------------------------|--------------------------------|
| 55 | F01430023 | ROS.M10 10,5X 18X0,9 U8842J ZN | WASHER D10 DIN 6798 D.INT.ZN | RONDELLE D10 DIN 6798 D. INT. | UNT. SCHEIBE D10 DIN 6798 D.IN | ARANDELA D10 DIN 6798 D.INT.ZN |
| 56 | G15421240 | RUOTA 290X80 FLEX | FLEX -BRASILE' WHEEL 290X80 | ROUE 290X80 FLEX 'BRASILE' | RAD 290X80 FLEX 'BRASILE' | RUEDA 290X80 FLEX 'BRASILE' |
| 57 | F01220033 | DADO M10X 1,5 D980 8 ZN | NUT M10X 1,5 D980 8 ZB | ECRO.M10X 1,5 D980 8 ZB | MUTT.M10X 1,5 D980 8 ZB | TUER.M10X 1,5 D980 8 ZB |
| 58 | F01020432 | VITE M 8X1,25X16 U5739 8.8 ZN | BOLT M8X16 | VIS M8X16 | SCHRAUBE M8X16 | TORNILLO M 8X16 |
| 59 | G15421030 | RASCHIATERRA RUOTA POSTERIORE | SOIL SCRAPER REAR WHEEL | RACLEUR ROUE POSTERIEURE | ERDSCHABER HINTERES RAD | RASCADOR TIERRA TRASERO |
| 60 | G15421022 | SUPP.RASCHIATERRA RUOTA | SCRAPER SUPPORT WHEEL | SUPP. RACLEUR ROUES | HALTERUNG ERDSCHABER RADER | SOP.RASCADOR TIERRA RUEDAS |
| 61 | F01420048 | ROS.M8 8,4X 24X 2 U6593 ZN | PLANE WASHER D.8 | RONDELLE D.8 | SCHEIBE D.8 | ARANDELA D.8 |
| 62 | F01020440 | VITE M 8X1,25X25 U5739 8.8 ZN | BOLT M8 X25 5739 8.8 ZN | VIS M8 X25 5739 8.8 ZN | SCHRAUBE M8 X25 5739 8.8 ZN | TORNILLO M8 X25 5739 8.8 ZN |
| 63 | G22230063 | ELEMENTO ARTICOLATO | ARTICULATED ELEMENT | ELEMENT ARTICULE | GELENKELEMENT | ELEMENTO ARTICULADO |
| 64 | G22230062 | VITE DI REGOLAZIONE | ADJUSTMENT BOLT | VIS DE REGLAGE | EINSTELLSCHRAUBE | TORNILLO DE REGULACION S |
| 65 | G22220073 | RONDELLA 28X0,3X16,5 | WASHER 28X0-3X16-5 | RONDELLE 28X0-3X16-5 | UNTERLEGSCHNEIBE 28X0-3X16-5 | ARANDELA 28X0-3X16-5 |
| 66 | F06220013 | VOLANT.8L.PERN.M12X30-40 VPA55 | 8-LOBE PIN HANDWHEEL M12X30-40 | VOLANT 8 LOBES PIVOT M12X30-40 | HANDRAD.8L.ZAPFENM12X30-40 VPA | VOLDEL.8L.PERN.M12X30-40 VPA55 |
| 67 | G14820991 | FERMO REGOLAZIONE | ADJUSTMENT STOP | BUTEE REGLAGE | EINSTELLUNGSSPERRE | BLOQUEO REGULACIEN |
| 68 | G22270235 | MANIGLIA REGOLAZIONE B4 | ADJUSTMENT HANDLE B4 | POIGNEE REGLAGE B4 | EINSTELLGRIFF B4 | MANIJA REGULACION B4 M |
| 69 | F01410088 | ROS.M14 15X 28X2,5 U6592 ZN | WAS.M14 15X 28X2,5 U6592 ZB | RON.M14 15X 28X2,5 U6592 ZB | SCH.M14 15X 28X2,5 U6592 ZB | ARA.M14 15X 28X2,5 U6592 ZB |
| 70 | G65336100 | MOLLA SPEC.FERMO MANIGLIA SP | SPEC SPRING HANDLE STOP SP | RESSORT SPEC. ARRET POIGNEE SP | SPEZIALFEDER GRIFFSPERRE SP | MUELLE ESPEC. BLOQUEO MANIJA S |



ESCLUSIONE ELETTRICA FILE DI SEMINA

TAV. 161

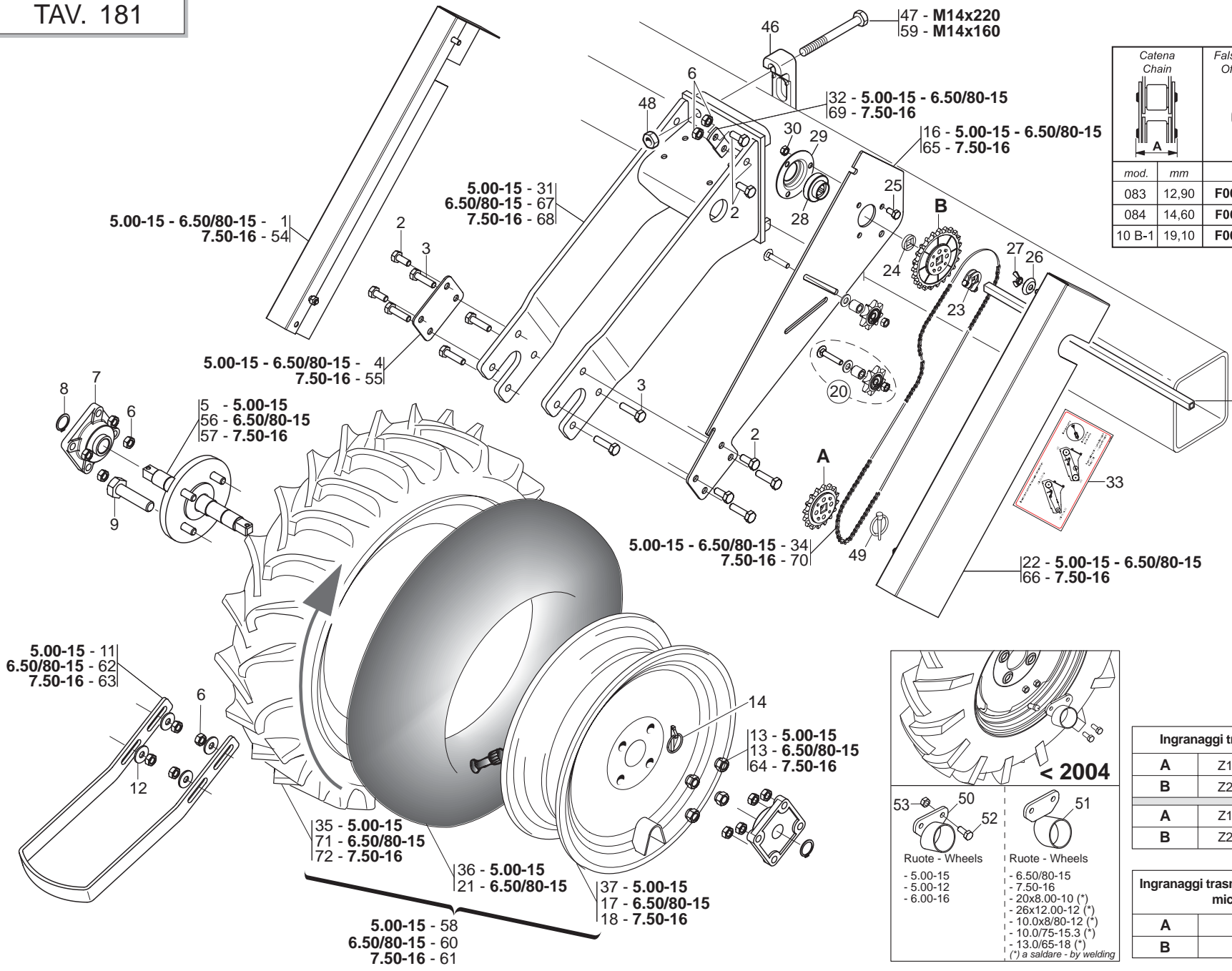
| Pos. | Cod. | Descrizione | Description | Description | Benennung | Descripcion |
|------|-----------|--------------------------------|--------------------------------|--------------------------------|--------------------------------|--------------------------------|
| 1 | G15424011 | INNESTO ESCL.ELETTRICA SP | ELECTRIC DISABLE CONNECTION SP | ACCOUPL. EXCL.+LECTRIQUE SP | STECKVORRICHT.ELEKT.AUSSCHALTU | CONECTOR DESC.EL+CTRICA SP |
| 2 | G16033701 | DISINNESTO ELETTRICO 180 COMPL | COMPL. ELECTRIC RELEASE 180 | D+BRAYAGE +LECTRIQUE 180 COMPL | ELEKTRISCHE ENTKUPPLUNG 180 KO | DESCONEXIËN EL+CTRICA 180 COMP |
| 3 | G19204080 | FORCELLA | | | | |
| 4 | G19204090 | FORCELLA | | | | |
| 5 | G22270454 | CROCIERA COMPL. SP/S | SPIDER SP/S | CROSILLON COMPL CARDAN TRANSM | GELENKKREUZ KOMPL. SP/S | CRUCETA COMPL. SP/S |
| 6 | F02050045 | ANELLO E. DE 16X 1 U7435 C70 | SEEGER RING 16X 1 U7435 C70 | BAGUE SEEGER 16 X 1 U7435 C70 | SEEGERING 16 X 1 U7435 C70 | ANILLO 16X 1 U7435 C70 |
| 7 | F04150011 | BOCCOLA AUTOL.40,5X30X5X33 | SELF-LOCKING BUSHING 40-5X30X5 | BOITE AUTOL. 40-5X30X5X33 | BUCHSE SELBST. 40-5X30X5X33 | CASQUILLO AUTOL.40-5X30X5X33 |
| 8 | F02100114 | SPINA E.P. 6X 30 U6873 C70 BR | ELASTIC PIN 6X30 | GOUJON ELASTIQUE 6X30 | SPANNHUELSE 6X30 | ESPINA ELASTICA 6X30 |
| 9 | G15423980 | FORCELLE SNODO ESCL.ELET.COMPL | FORK ELECTRIC DISABLE COMPLET | FOURCHETTE EXCL. +LECTR. COMPL | STAFEL ELEKT.AUSSCHALTU KOMPL. | HORQUILLA DESC.EL+CTRICA COMPL |
| 10 | G16033750 | FERMO DISINNESTO ELETTRICO ZN | UNCOUPLING ELECTRIC STOP | ARRET DEBRAYAGE +LECT. | FESTSTELL. AUSKUPPLUNG EL. | BLOQUEO DESCONEJIN EL. |
| 11 | G16033740 | DISTANZIALE DISINNESTO ELET.ZN | UNCOUPLING ELECTRIC SPACER | ENTRETOISE DEBRAYAGE +LECT. | DISTANZST_CK AUSKUPPLUNG EL. | DISTANCIADOR DESCONEJIN EL. |
| 12 | G18701970 | RONDELLA 16X48X2,5 | WASHER 16X48X2,5 | RONDELLE 16X48X2,5 | UNTERLEGSCHIEBE 16X48X2,5 | ARANDELA 16X48X2,5 |
| 13 | G16033730 | ADATTATORE CROCIERA | SPIDER ADAPTOR | ADAPTATEUR CROISIÈRE | PASSST_CK GELENKKREUZ | ADAPTADOR CRUCETA |



CAMBIO

| Pos. | Cod. | Descrizione | Description | Description | Benennung | Descripcion |
|------|-----------|---------------------------------|--------------------------------|--------------------------------|----------------------------------|--------------------------------|
| 1 | G14830390 | CUSCINETTO FORO QUADRO | SQUARE-HOLED BEARING | ROULEMENT AL+SAGE CARR+ | VIERKANTLAGER | COJINETE ORIFICIO CUADRADO |
| 2 | G16630840 | ASS.SCATOLA CAMBIO Q.150 | | | | |
| 3 | G15430321 | RULLO TENDICATENA | CHAIN STRETCHER ROLLER | ROULEAU TENDEUR DE CHAINE | KETTENSPIRANROLLE | RODILLO TENSOR DE CADENA |
| 4 | G15430331 | LEVA CAMBIO | GEAR LEVER | LEVIER BOITE DE VITESSE | GETRIEBEBEBEL | PALANCA DE CAMBIO |
| 5 | G15430340 | ASSE INGRANAGGI L.155 | GEAR SPINDLE L.155 | AXE ENGRENAGES L155 | ACHSE ZAHNRZSTEN L.122 | EJE ENGRANAJES L.155 |
| 6 | G16630010 | SCATOLA CAMBIO Q.150 COMPL. | GEARBOX 150 | BOITE DE VITESSE 150 | GETRIEBEKASTEN 150 | CAJA DE CAMBIO DE VELOCIDAD 15 |
| 7 | G15430501 | DISTANZIALE INTERNO CAMBIO | GEARBOX INNER SPACER | ENTRETOISE INT. BOITE VITESSE | INNERES DISTANZSTÜCK GETRIEBE | DISTANCIADOR INTERIOR CAMBIO |
| 8 | G15430711 | COPERCHIO CAMBIO | GEAR COVER | COUVERCLE BOITE DE VITESSE | GETRIEBEDECKEL | TAPA CAMBIO |
| 9 | G15431020 | FERMO VITE CAMBIO | GEAR SCREW STOP | ARRET VIS BOITE DE VITESSE | FESTSTELLVORRICH. GETRIEBESCHR | BLOQUEO TORNILLO |
| 10 | G18902970 | MOLLA TRAZ. CAMBIO ZN SP | GALVAN. GEAR TRACT. SPRING SP | RESS. TRACT. BOITE VITESSE ZN | ZUGFEDER GETRIEBE ZN SP | MUELLE TRAC. CAMBIO ZN SP |
| 11 | F02250683 | INSERTO FIL.M 8X17,5 ZN T.TOND | CYLINDRICAL NUT 8 TC 40 | ECROU CYLINDRIQUE 8 TC 40 | ZYLINDRISCHE MUTTER 8 TC 40 | TUERCA CILINDRICA 8 TC 40 |
| 12 | G18700690 | RONDELLA 15 X40 X6 ZN | WASHER 15 X 40 X 6 ZN | RONDELLE 15 X40 X6 ZN | UNTERLEGSSCHEIBE 15 X40 X6 ZN | ARANDELA 15 X40 X6 ZN |
| 13 | G22220085 | SNODO | ARTICULATION | ARTICULATION | GELENK | ARTICULACION A |
| 14 | G22230094 | SUPPORTO CUSCINETTO | BEARING SUPPORT | SUPPORT PALIER | LAGERBÜSCHSE | SOPORTE COJINETE |
| 15 | G19203260 | VITE M5X115 ZN | BOLT M5X115 ZN | VIS M5X115 ZN | SCHRAUBE M5X115 ZN | TORNILLO M5X115 ZN |
| 16 | G22270152 | ING.Z 16-23 RUOTA-CAMBIO SP | WHEEL- GEARBOX GEARS SP | ENGR. Z 16-23 ROUE BOITE VIT. | ZAHNRAD Z 16-23 GETRIEBERAD SP | ENGRAN. Z 16-23 RUEDA-CAMBIO |
| 17 | G22270162 | RINFORZO INGR.ASSE DA 20 SP | AXLE GEAR REINFORCEMENT 20 SP | RENFORC. ENGRN. AXE DE 20 SP | VERSTÄRKUNG ACHSZAHNRAD 20 SP | REFUERZO ENGRAN. EJE DE 20 SP |
| 18 | G22270163 | BLOCCO CAMBIO ASSE DA 20 SP | 20 CM SPINDLE GEARBOX SP | ENSEMBLE BOITE DE VITESSE | GETRIEBEBLOCK ACHSE 20 SP | BLOQUE CAMBIO EJE DE 20 SP |
| 19 | G22270217 | SUPP.CONTAETT. CAMB.35 SP LM | HECTARE COUNTER GEAR SUPPORT 3 | SUPPORT COMPT. D'HECT. B. VIT. | HALT. GETRIEBE HEKTARZÄHLER 35 | SOPORTE CONTADOR HECT. CAMB.35 |
| 20 | G22270218 | CONTAETARI TEN. STAG. SP LM | HECTARE COUNTER SEAL SP LM | COMPT. D'HECT. ETANCHE SP LM | HEKTARZÄHLER DICHT SP LM | CUENTA HECTAREAS ESTANCO |
| 21 | G19204030 | SCONTRO FISS.150 2F D15 | | | | |
| 22 | G66248218 | RONDELLA DISTAN.SPAND. | MAN. SPR. SPACER WASHER | RONDELLE ENTRETOISE EP. ENGRAI | ABSTANDSCHEIBE DsNGERSTREUER | ARANDELA DISTAN.ABONAD. |
| 23 | F01040025 | VITE M 4X 0,7X10 U5931 8.8 ZN | BOLT 4 X10 5931 8.G GALVANIZ. | VIS 4 X10 5931 8.G ZN | SCHRAUBE 4 X10 5931 8.G ZN | TORNILLO 4 X10 5931 8.G ZN |
| 24 | G22500171 | MANICOTTO L.175 | SLEEVE L.175 | MANCHON L.175 | MUFFE L.175 | MANGUITO L.175 |
| 25 | G22505085 | FERMO ASSE IN LAMIERA | PLATE AXLE STOP | ARRET AXE EN TOLE | FESTSTELLVORRICHTUNG BLECHACHS | BLOQUEO EJE DE CHAPA |
| 26 | F01060040 | BUL.M 8X1,25X 20 U5732 4.6 ZG | BOLT 8 X20 5732 4.6 GALVANIZED | VIS 8 X20 5732 4.6 ZN | SCHRAUBE 8 X20 5732 4.6 ZN | TORNILLO 8 X20 5732 4.6 ZN |
| 27 | F06220018 | VOLANTINO 3LOBI D.65-M8X15 | 3-LOBE HANDWHEEL D.65-M8X15 | VOLANT 3 LOBES D.65-M8X15 | HANDRAD 3 BÜCKEL D.65-M8X15 | VOLANTE 3 LOBI D.65-M8X15 |
| 28 | F01020225 | VITE M14X 2X160 U5737 8.8 BR | BOLT M 14 X160 5737 8.G | VIS M 14 X160 5737 8.G | SCHRAUBE M 14 X160 5737 8.G | TORNILLO M 14 X160 5737 8.G |
| 29 | F01020232 | VITE M14X 2X200 U5737 8.8 ZN | BOLT 14X200 5737 8.G GALVANIZ. | VIS 14X200 5737 8.G ZN | SCHRAUBE 14X200 5737 8.G ZN | TORNILLO 14X200 5737 8.G ZN |
| 30 | F01020432 | VITE M 8X1,25X16 U5739 8.8 ZN | BOLT M 8X16 | VIS M 8X16 | SCHRAUBE M 8X16 | TORNILLO M 8X16 |
| 31 | F01020449 | VITE M 8X1,25X35 U5739 8.8 ZN | BOLT M 8X35 | VIS M 8X35 | SCHRAUBE M 8X35 | TORNILLO M 8X35 |
| 32 | F01200220 | DADO M 5X 0,8 U5588 6.8 ZN | NUT 5 UNI 5588 6.8 GALVANIZED | ECROU 5 UNI 5588 6.8 ZN | MUTTER 5 UNI 5588 6.8 ZN | TUERCA 5 UNI 5588 6.8 ZN |
| 33 | F01200244 | DADO M 8X1,25 U5588 6.8 ZN | NUT M8 | ECROU M8 | MUTTER M8 | DADO M8 |
| 34 | F01200306 | DADO M14X 2 U5588 6.8 ZN | NUTM14X2 | ECROU M14X2 | MUTTER M14X2 | DADO M14X2 |
| 35 | F01410051 | ROS.M8 8,4X 17X1,6 U6592 ZN | PLANE WASHER D.8 | RONDELLE D.8 | SCHEIBE D.8 | ARANDELA D.8 |
| 36 | F01410011 | ROS.M4 4,3X 9X0,8 U6592 ZN | PLANE WASHER 4,5X 9 6592 | RONDELLE 4,5X 9 6592 | SCHEIBE 4,5X 9 6592 | ARANDELA 4,5X 9 6592 |
| 37 | F01430059 | ROS.M8 8,4X 15X0,8 U8842J ZN | WASHER D8 DIN 6798 D.INT.ZN | RONDELLE D8 DIN 6798 D. INT. Z | UNT. SCHEIBE D8 DIN 6798 D. IN | ARANDELA D8 DIN 6798 D.INT.ZN |
| 38 | F02200228 | COPIGLIA 5X 35 U1336 ZN | SPLIT PIN 5 X35 1336 GALVAN. | GOUPILLE 5 X35 1336 ZN | SPILINT 5 X35 1336 ZN | PASADOR 5 X35 1336 ZN |
| 39 | F02100087 | SPINA E.P. 5X 30 U6873 C70 BR | PIN EL. 5 X30 DIN 1481 | FICHE_EL. 5 X30 DIN 1481 | SPANNSTIFT 5 X30 DIN 1481 | CLAVIJA EL.5 X30 DIN 1481 |
| 40 | F06080008 | CATENA 1/2 ISO 083 16 MAGLIE | CHAIN SECTION 1/2-3/16 16 MES | TRONÇON CHA+NE 1/2-3/16 16 MAI | KETTENABSCHN.1/2-3/16 16 GLIEDER | TRAMO CAD.1/2-3/16 16 ESLABONE |
| 41 | F06080230 | CATENA 5/8 ISO 10B 46 MAGLIE | CUT-DOWN CHAIN .ISO 10B-1 46-L | TRONCON CHAINE ISO 10B-1 46 MA | KETTENLNGE ISO 10B-1 46 GLIE | TRECHO CADENA ISO 10B-1 46 ESL |
| 42 | G65336098 | MOLLA CONTAETARI CAMB.35 SP | HECT. COUNT. GEAR SPRING 35 SP | RESS. COMPTEUR D'HECTARES CH | FEDER HEKTARZÄHLER GETRIEBE.35 | MUELLE CONTADOR DE HECTAREAS C |
| 43 | G66248162 | INGRANAGGIO Z-17 SP | GEAR Z-17 SP | ENGRNAGE Z-17 SP | ZAHNRAD Z-17 SP | ENGRANAJE Z-17 SP |
| 44 | G66248163 | INGRANAGGIO Z-18 SP | GEAR Z-18 SP | ENGRNAGE Z-18 SP | ZAHNRAD Z-18 SP | ENGRANAJE Z-18 SP |
| 45 | G66248164 | INGRANAGGIO Z-19 SP | GEAR Z-19 SP | ENGRNAGE Z-19 SP | ZAHNRAD Z-19 SP | ENGRANAJE Z-19 SP |
| 46 | G66248165 | INGRANAGGIO Z-20 SP | GEAR Z-20 SP | ENGRNAGE Z-20 SP | ZAHNRAD Z-20 SP | ENGRANAJE Z-20 SP |
| 47 | G66248166 | INGRANAGGIO Z-21 SP | GEAR Z-21 SP | ENGRNAGE Z-21 SP | ZAHNRAD Z-21 SP | ENGRANAJE Z-21 SP |
| 48 | G66248167 | INGRANAGGIO Z-22 SP | GEAR Z-22 SP | ENGRNAGE Z-22 SP | ZAHNRAD Z-22 SP | ENGRANAJE Z-22 SP |
| 49 | G66248168 | INGRANAGGIO Z-23 SP | GEAR Z-23 SP | ENGRNAGE Z-23 SP | ZAHNRAD Z-23 SP | ENGRANAJE Z-23 SP |
| 50 | G11430240 | ASSE TRASMISSIONE L.430 | TRANSMISSION AXLE L.430 | AXE TRANSMISSION L430 | sBERTRAGUNGSACHSE L.430 | EJE TRANSMISIN L 430 A |
| 51 | G19701402 | DECAL.CAMBIO RUOTA 5,00-15 | GEARBOX WHEEL 5,00-15 STICKER | ETIQ. BOITE DE VIT. ROUE 5,00- | AUFKLEBER GETRIEBE RAD 5,00-15 | CAL. CAMBIOVEL. RUEDA 5,00-15 |
| 52 | G19701401 | DECAL.COMANIA TABELLA CAMBIO SP | GEAR CHART STICKER SP | DECALC. TABLEAU BOITE DE V. SP | ABZIEHB. TABELLE GETR. SP | CALCOMANIA TABLA CAMBIO SP |
| 53 | G13831520 | ASSE TRASMISSIONE L.3000 | TRANSMISSION AXLE L.3000 | AXE TRANSMISSION L3000 | sBERTRAGUNGSACHSE L.3000 | EJE TRANSMISIN L 3000 A |
| 54 | G20860090 | ASSE SX 5F.60 L.1460 | AXLE- LEFT 5-R.60 L.1460 | AXE GCH. 5 RANGEES 60 L. 1460 | ACHSE LI 5R.F.60 L.1460 | EJE IZQ. 5 FILA. 60 L.1460 |
| 55 | G22220250 | ASSE SX 6 FILE L.3500 | AXLE LEFT 6-ROW L.3500 | AXE GCH. 6 RANGEES L. 3500 | ACHSE LINKS 6 REIHEN L.3500 | EJE IZQ. 6 FILAS L.3500 |
| 56 | G22230141 | ASSE SEMINAT.6F.CM.80 L.2000 | AXLE- 6-ROW SEEDER MACH. 80 CM | AXE SEMEUR 6 RANGEES CM. 80 L. | ACHSE SZALEMENT 6 R.CM.80 L.2 | EJE SEMBR. 6 FILAS. CM.80 L.20 |
| 57 | G22230142 | ASSE 4 FILE L.800 | 4-ROW SPINDLE L.800 | AXE 4 RANGEES L. 800 | ACHSE 4 REIHEN B. 800 | EJE 4 FILAS L.800 |
| 58 | G22250031 | ASSE TRASM.SEMINAT.L.3200 SV | AXLE- SEEDING MACH. GEARBOX L. | AXE ENTRAINEMENT SEMEUR L.3200 | ACHSE SZELEMENTANTRIEB L.3200 | EJE TRANS.SEMBR. L.3200 SV |
| 59 | G13732200 | ASSE TRASMISSIONE L.2485 | TRANSMISSION AXLE L2485 | AXE TRANSMISSION L.2485 | sBERTRAGUNGSACHSE L.2485 | EJE TRANSMISIN L 2485 A |
| 60 | G22250275 | ASSE TRASM.SEMINAT.L.2750 SV | AXLE- SEEDING MACH. GEARBOX L. | AXE ENTRAINEMENT SEMEUR L. 275 | ACHSE SZELEMENTANTRIEB L.2750 | EJE TRANS.SEMBR. L.2750 SV |
| 61 | G22250276 | ASSE TRASM.SEMINAT.L.2200 SV | AXLE- SEEDING MACH. GEARBOX L. | AXE ENTRAINEMENT SEMEUR L. 220 | ACHSE SZELEMENT-ANTRIEB L.2200 | EJE TRANS.SEMBR. L.2200 SV |
| 62 | G22280071 | ASSE RUOTA-CAMBIO L.550 ID | GEARBOX WHEEL AXLE L. 550 ID | AXE ROUE BOITE DE VITESSE | RADACHSE-GETRIEBE L.550 ID | EJE RUEDA-CAMBIO L.550 ID |
| 63 | G19701412 | DECAL.CAMBIO RUOTA 6,50-15 | GEARBOX WHEEL 6,50-15 STICKER | ETIQ. BOITE DE VIT. ROUE 6,50- | AUFKLEBER GETRIEBE RAD 6,50-15 | CAL. CAMBIOVEL. RUEDA 6,50-15 |
| 64 | G19701451 | DECAL.CAMBIO RUOTA 7,50-16 | GEARBOX WHEEL 7,50-16 STICKER | ETIQ. BOITE DE VIT. ROUE 7,50- | AUFKLEBER GETRIEBE RAD 7,50-16 | CAL. CAMBIOVEL. RUEDA 7,50-16 |
| 65 | G19703161 | DECAL.CAMBIO RUOTA 6,50-15 EST | GEARBOX WHEEL 6,50-15 STICKER | ETIQ. BOITE DE VIT. ROUE 6,50- | AUFKLEBER GETRIEBE RAD 6,50-15 | CAL. CAMBIOVEL. RUEDA 6,50-15 |
| 66 | G19701411 | DECAL.TAB.CAMB.SP RUOTA MAG. | GEAR CHART STICKER SP | DECALC. TABLEAU BOITE DE V. SP | ABZIEHB. TABELLE GETR. SP | CALCOMANIA TABLA CAMBIO SP |
| 67 | G19701450 | DECAL.CAMBIO RUOTA 7,50-16 | GEARBOX WHEEL 7,50-16 STICKER | ETIQ. BOITE DE VIT. ROUE 7,50- | AUFKLEBER GETRIEBE RAD 7,50-16 | CAL. CAMBIOVEL. RUEDA 7,50-16 |
| 68 | G19703160 | DECAL.CAMBIO R 6.5 RUOTE EST. | R 6.5 OUT. WHEELS GEARBOX TRAN | DECALC. BOITE DE VITESSE R 6.5 | AUFKLEBER GETRIEBE R 6.5 AUSSE | ETIQUETA ADHES. CAMBIO R 6.5 R |

TAV. 181



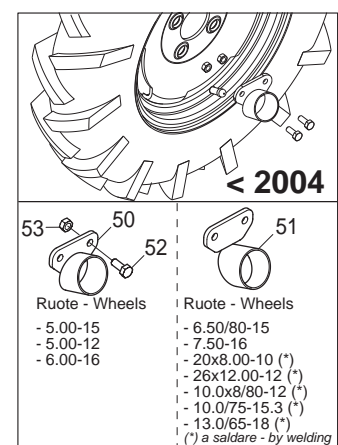
| Catena Chain | Falsa maglia Offset link | Maglia giunto Connecting link |
|-----------------|-----------------------------|----------------------------------|
| | | |
| mod. | mm | Cod. |
| 083 | 12,90 | F06080655 |
| 084 | 14,60 | F06080666 |
| 10 B-1 | 19,10 | F06080644 |

| Cod. |
|-----------|
| F06080501 |
| F06080502 |
| F06080499 |

| | Pos. |
|----------|------|
| Z10 | 38 |
| Z15 | 39 |
| Z16 | 40 |
| Z23 | 41 |
| Z23 r.l. | 42 |
| Z25 | 43 |
| Z30 | 44 |

| Ingranaggi trasmissione seminatori | | | |
|------------------------------------|----------|----------|----------|
| A | Z16 | Z23 | Z23 |
| B | Z23 | Z16 | Z23 |
| A | Z16 | Z23 r.l. | Z23 |
| B | Z23 r.l. | Z16 | Z23 r.l. |

| Ingranaggi trasmissione spandiconcime e microgranulatore | | |
|--|-----|-----|
| A | Z10 | Z15 |
| B | Z30 | Z25 |

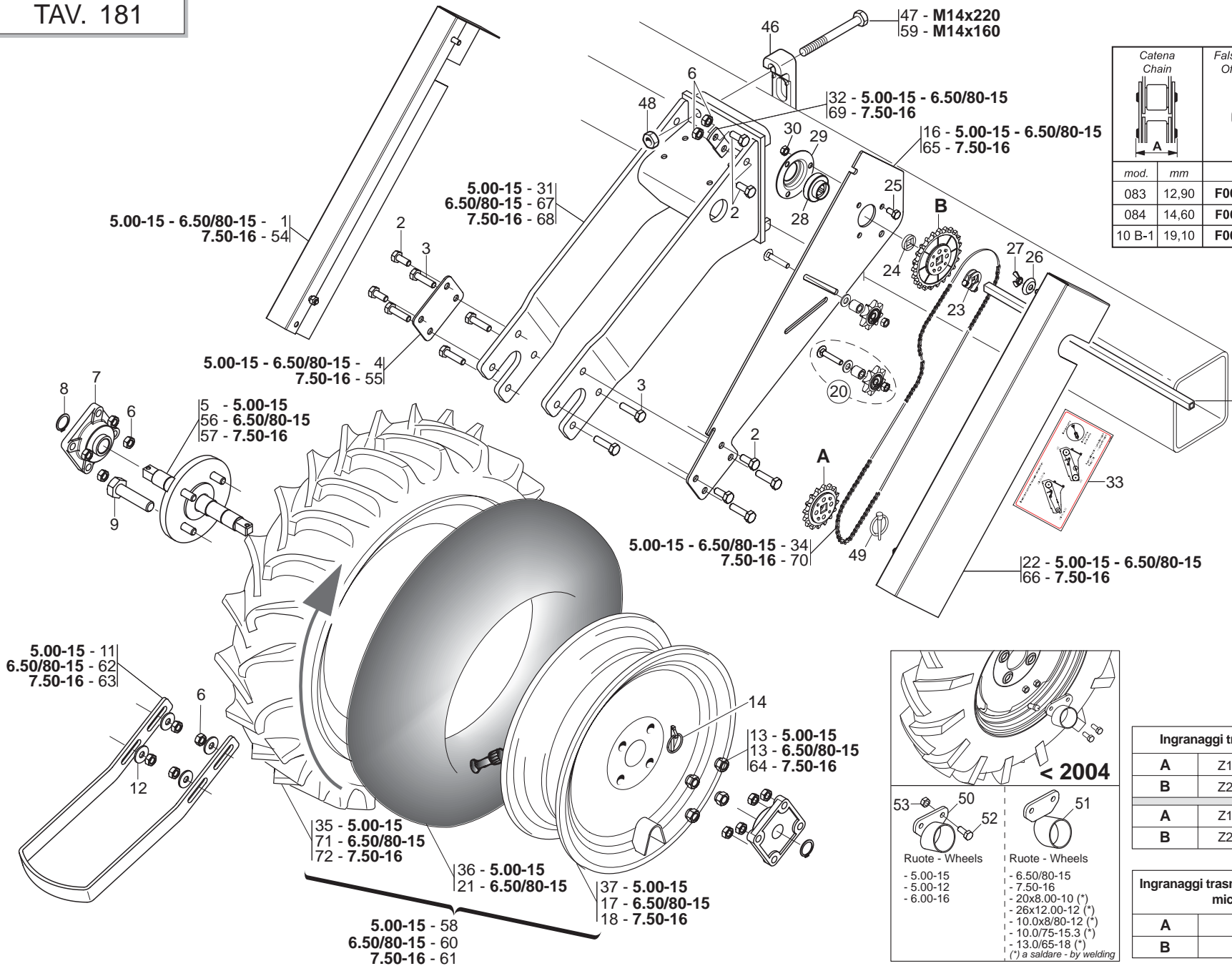


RUOTE DI TRASMISSIONE

TAV. 181

| Pos. | Cod. | Descrizione | Description | Description | Benennung | Descripcion |
|------|-----------|--------------------------------|--------------------------------|--------------------------------|--------------------------------|--------------------------------|
| 1 | G16630360 | CARTER SX | LEFT CASE | CARTE GCH | GEHZUSE LI | CARTER IZQ |
| 2 | F01020472 | VITE M10X 1,5X25 U5739 8.8 ZN | BOLT 10X25 5739 8.G GALVANIZED | VIS 10X25 5739 8.G ZN | SCHRAUBE 10X25 5739 8.G ZN | TORNILLO 10X25 5739 8.G ZN |
| 3 | F01020481 | VITE M10X 1,5X40 U5739 8.8 ZN | BOLT 10X40 5739 8.G GALVANIZED | VIS 10X40 5739 8.G ZN | SCHRAUBE 10X40 5739 8.G ZN | TORNILLO 10X40 5739 8.G ZN |
| 4 | G16630380 | SCONTRIO 100X70-3 4F11 70X40 | STRIKER PLATE 100X70-3 4F | BUTEE 100X70-3 4F | ANSCHLAG 100X70-3 4F | ELEMENTO DE EMPALME 100X70-3 4 |
| 5 | G22270280 | ASSE RUOTA TRASM.NORMALE SP/S | NORMAL DRIVE WHEEL AXLE | AXE ROUE ENTRAINEMENT 5.00-15 | RADACHSE NORMALER ANTRIEB SP/S | EJE RUEDA TRANS. NORMAL SP/S |
| 6 | F01200270 | DADO M10X 1,5 U5588 6.8 ZN | NUT M10 | ECROU M10 | MUTTER M10 | DADO M10 |
| 7 | F04100137 | SUPPORTO FY 25 TF | SUPPORT FY 25 TF | SUPPORT FY 25 TF | HALTERUNG FY 25 TF | SOPORTE FY 25 TF |
| 8 | F02050101 | ANELLO E. DE 25X 1,2 U7435 C70 | SEEGER RING E. 25X1,2 7435 C70 | SEEGER E. 25X 1,2 U7435 C70 | SEEGERING E. 25X 1,2 U7435 C70 | ANILLO E. 25X 1,2 U7435 C70 |
| 9 | F01010365 | VITE M18X1,5X 50 U5740 8.8 ZN | SCREW 18X55 MB 5740 8.G ZN | VIS 18X55 MB 5740 8.G ZN | SCHRAUBE 18X55 MB 5740 8.G ZN | TORNILLO 18X55 MB 5740 8.G ZN |
| 10 | G22270049 | ASSE 4F.85-6F.50 L.1260 | 4-ROW SPINDLE - 85-6-ROW-50 L. | AXE 4 RANGEES 85-6 RANGEES 50 | ACHSE 4 REIHEN 85-6 REIH. 50 | EJE 4 FILAS. 85-6 FILAS. 50 L. |
| 11 | G15430090 | RASCHIATERRA | SOIL SCRAPER | RACLEUR | ERDSCHABER | RASCADOR TIERRA |
| 12 | F01420060 | ROS.M10 10,5X 30X2,5 U6593 ZN | WASHER 10,5X30 | RONDELLE 10,5X30 | SCHIEBE 10,5X30 | ARANDELA 10,5X30 |
| 13 | F01250040 | DADO COLON. 12X1.5 ZN | COLUMN NUT M12X1.5 STUD BOLT | ECROU M12X1. 5 COLONNE | SCHRAUBBOLZENMUTTER M12X1.5 | TUERCA 12X1.5 COLUMNA |
| 14 | F02200452 | SPINA SCATTO D.4,4 B/80 ZN | SNAP PIN D.4-4 B/80 | FICHE A DETENTE D. 4-4 B/80 | EINRASTSTIFT D 4-4 B/80 | CLAVIJA DE MUELLE D.4-4 B/80 |
| 15 | G22230142 | ASSE 4 FILE L.800 | 4-ROW SPINDLE L.800 | AXE 4 RANGEES L. 800 | ACHSE 4 REIHEN B. 800 | EJE 4 FILAS L.800 |
| 16 | G16630311 | SUPPORTO TRASMISSIONE SP540 | | | | |
| 17 | F06120207 | CERCHIO 5J 15 H2 PV RAL 9001 | | | | |
| 18 | F06120208 | CERCHIO 7.50-16 PV TU | RING 7.50-16 PV TU | JANTE 7.50-16 PV TU | REIFEN 7.50-16 PV TU | LLANTA 7.50-16 PV TU |
| 19 | G22230138 | ASSE CAMBIO 4F.80-6F.45 L.1000 | GEAR SPINDLE 4-ROW 80- 6-ROW.4 | AXE BOITE DE VITESSE 4 RA | GETRIEBEACHSE 4 R. 80-6 R.45 L | EJE CAMBIO 4 FILAS. 80-6 FILAS |
| 20 | G16630810 | KIT INGR.Z8 5/8"X3/8" CUSC. | | | | |
| 21 | F06120135 | CAMERA 15 T 340 | CHAMBER 15 T 340 | CHAMBRE 15 T 340 | KAMMER 15 T 340 | CAMARA 15 T 340 |
| 22 | G16630350 | CARTER DX | RIGHT CASE | CARTER DRT | GEHZUSE RE | CARTER DER |
| 23 | G22505085 | FERMO ASSE IN LAMIERA | PLATE AXLE STOP | ARRET AXE EN TOLE | FESTSTELLVORRICHTUNG BLECHACHS | BLOQUEO EJE DE CHAPA |
| 24 | G66248218 | RONDELLA DISTAN.SPAND. | MAN. SPR. SPACER WASHER | RONDELLE ENTRETOISE EP. ENGRAI | ABSTANDSCHEIBE DsNGERSTREUER | ARANDELA DISTAN.ABONAD. |
| 25 | F01020432 | VITE M 8X1,25X16 U5739 8.8 ZN | BOLT M8X16 | VIS M8X16 | SCHRAUBE M 8X16 | TORNILLO M 8X16 |
| 26 | G22220083 | RONDELLA AD IMBOCCO | LEAD-IN WASHER | RONDELLE EMBOUTIE | TRICHTERSCHEIBE | ARANDELA DE MUESCA |
| 27 | F01240024 | DADO M 8X1,25 U5448 5.8 ZN | NUT 8 UNI 5448 5.8 ZN | ECROU 8 UNI 5448 5.8 ZN | MUTTER 8 UNI 5448 5.8 ZN | TUERCA 8 UNI 5448 5.8 ZN |
| 28 | G14830390 | CUSCINETTO FORO QUADRO | SQUARE-HOLED BEARING | ROULEMENT AL+SAGE CARR+ | VIERKANTLAGER | COJINETE ORIFICIO CUADRADO |
| 29 | G22230094 | SUPPORTO CUSCINETTO | BEARING SUPPORT | SUPPORT PALIER | LAGERBsCHSE | SOPORTE COJINETE |
| 30 | F01220022 | DADO M 8X1,25 D980 8 ZN | SELF LOCKING NUT M8X1,25 980V | ECROU AUTOBL. M8X1,25 980-V | SELBSTSP.MUTT. M8X1,25 980-V | DADO AUTOBL. M8X1,25 980-V |
| 31 | G16630290 | SUPPORTO RUOTA 5,00-15 | WHEEL SUPPORT 5,00-15 | SUPPORT ROUE 5,00-15 | RADLAGER 5,00-15 | SOPORTE RUEDA 5,00-15 |
| 32 | G16630320 | ATTACCO AL SUPPORTO RUOTA | SUPP. WHEEL COUPLING | FIXATION SUPPORT ROUET | KUPPLUNG HALT. KL. RAD | CONEXIN SOP. RUEDECILLA |
| 33 | G19704690 | DECAL.DISP.CATENE/INGR.R.POST. | STICKER | DECALCOMANIE | ABZIEHBILDER | CALCOMANIAS |
| 34 | F06080168 | CATENA 5/8 ISO 10B 86 MAGLIE | CUT-DOWN CHAIN .ISO 10B-1 86 - | TRONCON CHAINE ISO 10B-1 86 MA | KETTENLNZGE ISO 10B-1 186 GLIE | TRECHO CADENA ISO 10B-1 86 ESL |
| 35 | F06120170 | COPERTURA 5.00-15 IM 110 6PR | COVERING 500-15 IM110 4PR | COUVERTURE 500-15 IM110 4PR | MANTEL 500-15 IM110 4PR | CUBIERTA 500-15 IM110 4PR |
| 36 | F06120134 | CAMERA 15 L 290 | CHAMBER 15 L.290 | CHAMBRE 15 L.290 | KAMMER 15 L.290 | CAMARA 15 L.290 |
| 37 | F06120206 | CERCHIO 3.00 D 15 PV RAL 9001 | | | | |
| 38 | G22220113 | INGRANAGGIO Z-10 FERRO | GEAR Z-10 IRON | ENGRENAGE Z-10 FER | ZAHNRAD Z-10 EISEN | ENGRANAJE Z-10 HIERRO |
| 39 | G16630390 | PIGNONE Z-15 ZN | PINION Z-15 ZN | PIGNON Z-15 ZN | RITZE Z-15 ZN | PINION Z-15 ZN |
| 40 | G16630400 | PIGNONE Z-16 ZN. | PINION Z-16 ZN. | PIGNON Z-16 ZN. | RITZE Z-16 ZN. | PINION Z-16 ZN. |
| 41 | G16630410 | PIGNONE Z-23 ZN. | PINION Z-23 ZN. | PIGNON Z-23 ZN. | RITZE Z-23 ZN. | PINION Z-23 ZN. |
| 42 | G16630370 | INGRANAGGIO R.LIBERA Z-23 ZN | FREE WHEEL GEAR Z-23 | ENGRENAGE Z-23 ROUE LIBRE | ZAHNRAD FREILAUF Z-23 | ENGRANAJE R.LIBRE Z-23 |
| 43 | G16630420 | PIGNONE Z-25 ZN. | PINION Z-25 ZN. | PIGNON Z-25 ZN. | RITZE Z-25 ZN. | PINION Z-25 ZN. |
| 44 | G16630430 | PIGNONE Z-30 ZN. | PINION Z-30 ZN. | PIGNON Z-30 ZN. | RITZE Z-30 ZN. | PINION Z-30 ZN. |
| 45 | G20870028 | ASSE SERB.LATO TRAS.6F.L.1800 | AXLE- GEARBOX SIDE- 6-ROW L.18 | AXE RESERVOIR COTE ENTRAINEMEN | ACHSE BEHZLTER ANTRIEBSS. 6F.L | EJE DEPS. LADO TRANS. 6 FILA A |
| 46 | G19204030 | SCONTRIO FISS.150 2F D15 | | | | |
| 47 | F01020236 | VITE M14X 2X220 U5737 8.8 BR | SCREW M14X2X220 U5737 8.8 BR | VIS M14X2X220 U5737 8.8 BR | SCHRAUBE M14X2X220 U5737 8.8 | TORNILLO M14X2X220 U5737 8.8 |
| 48 | F01200306 | DADO M14X 2 U5588 6.8 ZN | NUT M14X2 | ECROU M14X2 | MUTTER M14X2 | DADO M14X2 |
| 49 | F02200452 | SPINA SCATTO D.4,4 B/80 ZN | SNAP PIN D.4-4 B/80 | FICHE A DETENTE D. 4-4 B/80 | EINRASTSTIFT D 4-4 B/80 | CLAVIJA DE MUELLE D.4-4 B/80 |
| 50 | G16630460 | PROTEZIONE VALVOLA R5.00 | VALVE GUARD R5.00 | PROTECTION SOUPAPE R5.00 | VENTILSCHUTZ R5.00 | PROTECIÉN V+LVULA R5.00 |
| 51 | G16630470 | PROTEZIONE VALVOLA R6.50 | VALVE GUARD R6.50 | PROTECTION SOUPAPE R6.50 | VENTILSCHUTZ R6.50 | PROTECIÉN V+LVULA R6.50 |
| 52 | F01020440 | VITE M 8X1,25X25 U5739 8.8 ZN | BOLT M8 X25 5739 8.8 ZN | VIS M8 X25 5739 8.8 ZN | SCHRAUBE M8 X25 5739 8.8 ZN | TORNILLO M8 X25 5739 8.8 ZN |
| 53 | F01230034 | DADO M 8X1,25 D982 8 | SELF LOCKING NUT M8X1,25 | ECROU AUTOBL. M8X1,25 | SELBSTSP.MUTT. M8X1,25 | DADO AUTOBL. M8X1,25 |
| 54 | G15231321 | CARTER SX 7.50 | | | | |
| 55 | G22270284 | ATTACCO RASCHIATERRA SP/S | SOIL SCRAPER COUPLING SP/S | FIXATION RACLEUR SP/S | KUPPLUNG ERDABSCHABER SP/S | CONEXIN RASPADOR SP/S O |

TAV. 181



| Catena Chain | Falsa maglia Offset link | Maglia giunto Connecting link |
|-----------------|-----------------------------|----------------------------------|
| | | |
| mod. | mm | Cod. |
| 083 | 12,90 | F06080655 |
| 084 | 14,60 | F06080666 |
| 10 B-1 | 19,10 | F06080644 |
| | | Cod. |
| | | F06080501 |
| | | F06080502 |
| | | F06080499 |

- 45 - L. 1800
- 19 - L. 1000
- 15 - L. 800
- 10 - L. 1260

| | Pos. |
|----------|------|
| Z10 | 38 |
| Z15 | 39 |
| Z16 | 40 |
| Z23 | 41 |
| Z23 r.l. | 42 |
| Z25 | 43 |
| Z30 | 44 |

| Ingranaggi trasmissione seminatori | | | |
|------------------------------------|----------|----------|----------|
| A | Z16 | Z23 | Z23 |
| B | Z23 | Z16 | Z23 |
| A | Z16 | Z23 r.l. | Z23 |
| B | Z23 r.l. | Z16 | Z23 r.l. |

| Ingranaggi trasmissione spandiconcime e microgranulatore | | |
|--|-----|-----|
| A | Z10 | Z15 |
| B | Z30 | Z25 |

< 2004

Ruote - Wheels

- 5.00-15
- 5.00-12
- 6.00-16

Ruote - Wheels

- 6.50/80-15
- 7.50-16
- 20x8.00-10 (*)
- 26x12.00-12 (*)
- 10.0x8/80-12 (*)
- 10.0/75-15.3 (*)
- 13.0/65-18 (*)

(*) a saldare - by welding

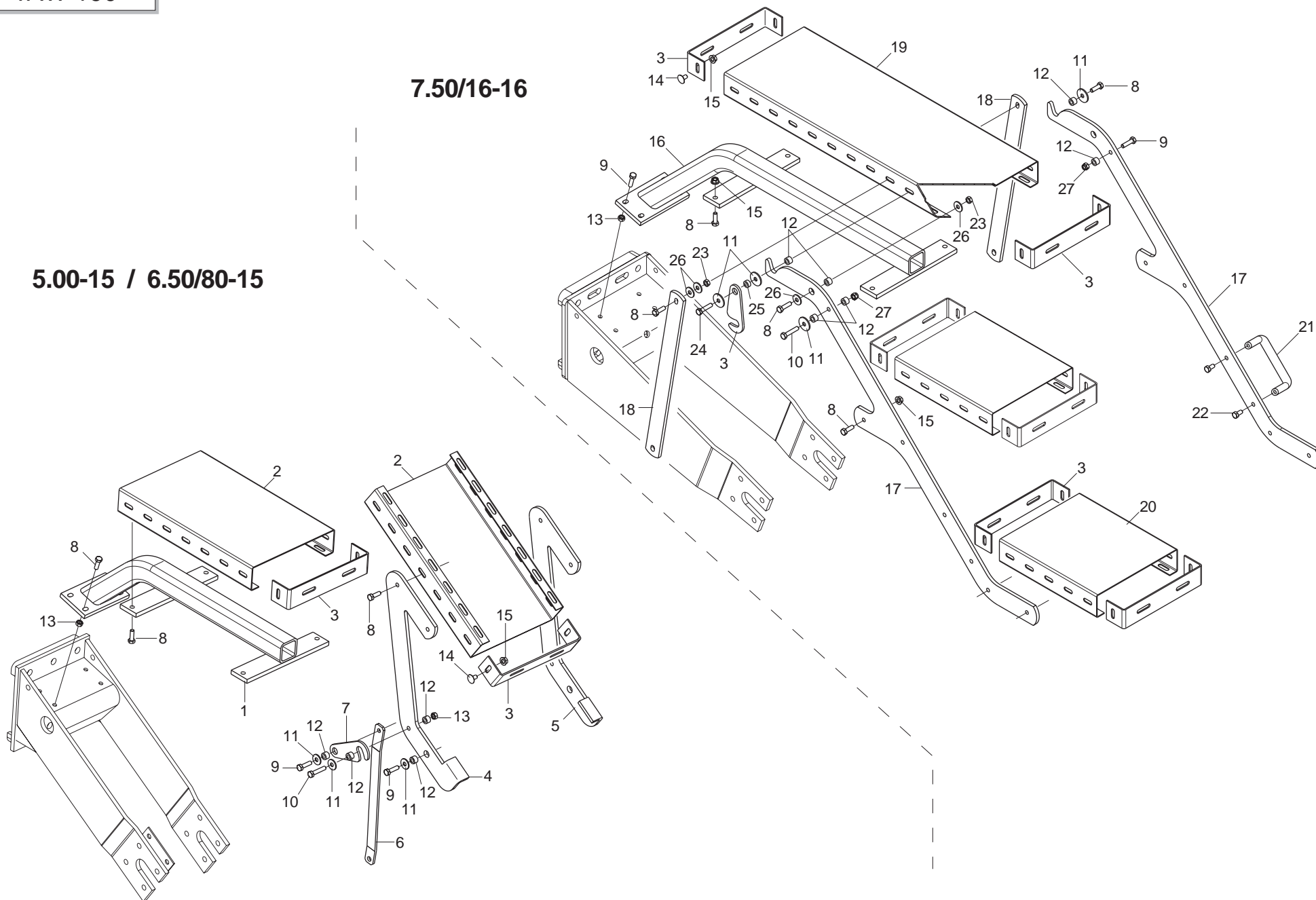
RUOTE DI TRASMISSIONE

TAV. 181

| Pos. | Cod. | Descrizione | Description | Description | Benennung | Descripcion |
|------|-----------|--------------------------------|-------------------------------|--------------------------------|--------------------------------|--------------------------------|
| 56 | G22270281 | ASSE RUOTA TRASM.MAGG. SP/S | INCREASED DRIVE WHEEL AXLE | AXE ROUE ENTRAINEMENT 6.50-15 | RADACHSE sBERBEM. ANTRIEB SP/S | EJE RUEDA TRANS. SOBREDIMENS. |
| 57 | G15231161 | ASSE RUOTA 7.50 X 16 | | | | |
| 58 | F06120113 | RUOTA COMPL.5.00-15 6PR DX | COMPL. WHEEL 5.00-15 6PR RH. | ROUE COMPL. 5.00-15 6PR DRT. | RAD KOMPL.5.00-15 6PR RE | RUEDA COMPL.5.00-15 6PR DER. |
| 59 | F01020225 | VITE M14X 2X160 U5737 8.8 BR | BOLT M 14 X160 5737 8.G | VIS M 14 X160 5737 8.G | SCHRAUBE M 14 X160 5737 8.G | TORNILLO M 14 X160 5737 8.G |
| 60 | F06120116 | RUOTA 6.50/80-15 COMPL. | UPRIGHT- WIDE RUBBERED WHEEL | MONT. ROUE CAOUTCHOUT. LARG. | STZNDER BREITES GUMMIRAD | MONT.RUEDA DE GOMADA LARGA |
| 61 | F06120069 | RUOTA 7.50-16 AG 10 | WHEEL 7.50-16 AG10 | ROUE 7.50-16 AG10 | RAD 7.50-16 AG10 | RUEDA 7.50-16 AG10 |
| 62 | G15430660 | RASCHIATERRA MAGGIORATO SP 530 | INCREASED SOIL-SCRAPER SP 530 | RACLEUR MAJOR. SP 530 | sBERGROSSER ERDSCHABER SP 530 | RASCADOR TIERRA OBREDIMENS. SP |
| 63 | G15231171 | RASCHIATERRA RUOTA 7,50X16 | WHEEL SOIL SCRAPER 7,50X16 | RACLEUR ROUE 7,50X16 | ERDSCHABER RAD 7,50X16 | RASCADOR TIERRA RUEDA 7,50X16 |
| 64 | F01250052 | DADO COLON. 18X1,5 ZN | COLUMN NUT 18X1,5 STUD BOLT | ECROU 18X1,5 COLONNE | SCHRAUBBOLZENMUTTER 18X1,5 | TUERCA 18X1,5 COLUMNA |
| 65 | G15231421 | SUPPORTO TRASMISSIONE R.7.5-16 | TRANSMSUPPORT 7,50X16 | SUPPORT ENTRAINEMENT 7,50X16 | HALTERUNG GETRIEBE 7,50X16 | SOPORTE TRANSMISIN 7,50X16 |
| 66 | G15231301 | CARTER DX 7.50 | | | | |
| 67 | G16630300 | SUPPORTO RUOTA 6,50/80-15 | WHEEL SUPPORT 6,50/80-15 | SUPPORT ROUE 6,50/80-15 | RADLAGER 6,50/80-15 | SOPORTE RUEDA 6,50/80-15 |
| 68 | G15231141 | SUPPORTO RUOTA 7.50 | WHEEL SUPPORT 7.50 | SUPPORT ROUE 7.50 | RADLAGER 7.50 | SOPORTE RUEDA 7.50 |
| 69 | G15231330 | ATTACCO AL SUPPORTO RUOTA | SUPP. WHEEL COUPLING | FIXATION SUPPORT ROUET | KUPPLUNG HALT. KL. RAD | CONEXIN SOP. RUEDECILLA |
| 70 | F06080245 | CATENA 5/8 ISO 10B 94 MAGLIE | | | | |
| 71 | F06120180 | COPERTURA 6.5/80-15 IM 110 6PR | COVERING 6.5/80-15 IM 110 2PR | COUVERTURE 6.5/80-15 IM110 4PR | MANTEL .5/80-15 IM 110 2PR | CUBIERTA 6.5/80-15 IM 110 2PR |
| 72 | F06120400 | COPERTURA 7.50-16 IM110 8PR TU | COVERING 7.50-16 IM110 8PR TU | COUVERTURE 7.50-16 IM110 8PR T | MANTEL 7.50-16 IM110 8PR TU | CUBIERTA 7.50-16 IM110 8PR TU |

7.50/16-16

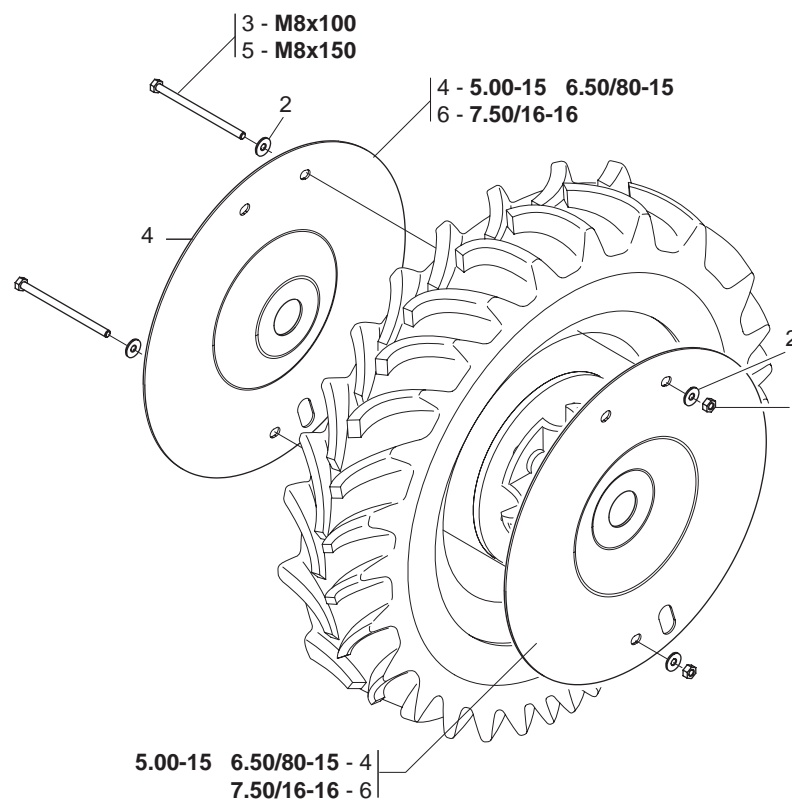
5.00-15 / 6.50/80-15



SCALETTA RUOTE PORTANTI

TAV. 190

| Pos. | Cod. | Descrizione | Description | Description | Benennung | Descripcion |
|------|-----------|--------------------------------|--------------------------------|--------------------------------|-------------------------------|--------------------------------|
| 1 | G15171840 | SUPPORTO SCALETTA R.5/6,5 | STEP LADDER SUPPORT R.5/6,5 | SUPPORT ECHELLE R.5/6,5 | STUFENHALTERUNG R.5/6,5 | SOPORTE ESCALERILLA R.5/6,5 |
| 2 | G15312290 | GRADINO | STEP | MARCHE | STUFE | ESCALN T |
| 3 | G07000379 | TERMINALE PEDANA ZN | GALVANIZED PLATFORM END | PIECE TERMINALE MARCHEPIED ZN | LAUFSTEGABSCHLUSS ZN | TERMINAL PLATAFORMA ZN |
| 4 | G16013510 | SUPPORTO SX PEDANA | LH FOOTPLATE SUPPORT | SUPPORT GCH.MARCHEPIED | TRITTBRETTHALTERUNG LI | SOPORTE IZQ. PLATAFORMA |
| 5 | G16013500 | SUPPORTO DX PEDANA | RH FOOTPLATE SUPPORT | SUPPORT DRT. MARCHEPIED | RE TRITTBRETTHALTERUNG | SOPORTE DER. PLATAFORMA |
| 6 | G15211540 | SUPPORTO SX SCALETTA | LEFT SUPPORT | SUPPORT GCH | HALTERUNG LI | SOPORTE IZQ |
| 7 | G15171791 | FERMO SCALETTA ZN | RAMP STOP | BUTEE PETITE ECHELLE | LEITERSPERRE | BLOQUEO ESCALERA |
| 8 | F01020440 | VITE M 8X1,25X25 U5739 8.8 ZN | BOLT M8 X25 5739 8.8 ZN | VIS M8 X25 5739 8.8 ZN | SCHRAUBE M8 X25 5739 8.8 ZN | TORNILLO M8 X25 5739 8.8 ZN |
| 9 | F01020445 | VIT.M 8X1,25X 30 U5739 8.8 ZN | BOLT M8X30 | VIS M8X30 | SCHRAUBE M8X30 | TORNILLO M8X30 |
| 10 | F01020450 | VITE M 8X1,25X40 U5739 8.8 ZN | BOLT M8X40 | VIS M8X40 | SCHRAUBE M8X40 | TORNILLO M8X40 |
| 11 | F01420049 | ROS.M8 8,4X 32X 2 U6593 ZN | WASHER M8 8,4X32X2 U6593 ZG | RONDELLE M8 8,4X32X2 U6593 ZG | SCHEIBE M8 8,4X32X2 U6593 ZG | ARANDELA M8 8,4X32X2 U6593 ZG |
| 12 | G18801580 | BOCCOLA 8,5 X15 X10 ZN | BUSH 8.5 X15 X10 | DOUILLE 8,5 X15 X10 | BUCHSE 8,5 X15 X10 | MANGUITO 8,5 X15 X10 |
| 13 | F01200244 | DADO M 8X1,25 U5588 6.8 ZN | NUT M8 | ECROU M8 | MUTTER M8 | DADO M8 |
| 14 | F01030495 | VITE TTCN 90' M8X16 + DADO ZN | TTCN 90' BOLT M8X16 GALVANIZED | VIS TTCN 90' M8X16 ZN | SCHRAUBE TTCN 90' M8X16 ZN | TORNILLO TTCN 90' M8x16 ZN |
| 15 | F01260043 | DADO FLANG.M8 D6923 8.8 ZN | FLANGE NUT M8 DIN 6923 8.8 GAL | ECROU BRIDE .M8 DIN 6923 8.8 Z | GEFLANSCHTE MUTTER M8 DIN6923 | TUERCA BRIDA M8 DIN 6923 8.8 Z |
| 16 | G15171750 | SUPPORTO PEDANA | FOOTBOARD SUPPORT | SUPPORT MARCHEPIED | TRITTBRETTHALTERUNG | SOPORTE PLATAFORMA |
| 17 | G15171781 | FIANCO SUPPORTO PEDANE | PLATFORM SUPPORT | SUPPORT MARCHEPIED | LAUFSTEGHALTERUNG | SOPORTE PLATAFORMAS COMPLETO |
| 18 | G15171800 | APPOGGIO DI RINFORZO | REINFORCEMENT REST | REPOSE DE RENFORCEMENT | VERSTZRKUNGSAUFLAGE | APOYADOR DE REFUERZO |
| 19 | G15171760 | PEDANA 250X720X60 SP2 ZN | PLATFORM 250X720X60 SP2 ZN | MARCHEPIED 250X720X60 SP2 ZN | TRITTBRETT 250X720X60 SP2 ZN | PLATAFORMA 250X720X60 SP2 ZN |
| 20 | G15171770 | PEDANA 250X300X60 SP2 ZN | | | | |
| 21 | F05150112 | MANIGLIA INTERAS. 117 FORO 8MM | HANDLE | POIGNEE | HANDGRIFF | MANILLA |
| 22 | F01020432 | VITE M 8X1,25X16 U5739 8.8 ZN | BOLT M8X16 | VIS M8X16 | SCHRAUBE M8X16 | TORNILLO M8X16 |
| 23 | F01220022 | DADO M 8X1,25 D980 8 ZN | SELF LOCKING NUT M8X1,25 980V | ECROU AUTOBL. M8X1,25 980-V | SELBSTSP.MUTT. M8X1,25 980-V | DADO AUTOBL. M8X1,25 980-V |
| 24 | F01020449 | VITE M 8X1,25X35 U5739 8.8 ZN | BOLT M8X35 | VIS M8X35 | SCHRAUBE M8X35 | TORNILLO M8X35 |
| 25 | G20980050 | BOCCOLA 15X7X8,5 ZN | BUSHING 15X7X8-5 ZN | BOITE 15X7X8-5 ZN | BsCHSE 15X7X8-5 ZN | CASQUILLO 15X7X8-5 ZN |
| 26 | F01420048 | ROS.M8 8,4X 24X 2 U6593 ZN | PLANE WASHER D.8 | RONDELLE D.8 | SCHEIBE D.8 | ARANDELA D.8 |
| 27 | F01230034 | DADO M 8X1,25 D982 8 | SELF LOCKING NUT M8X1,25 | ECROU AUTOBL. M8X1,25 | SELBSTSP.MUTT. M8X1,25 | DADO AUTOBL. M8X1,25 |



FLANGIATURA RUOTE

TAV. 200

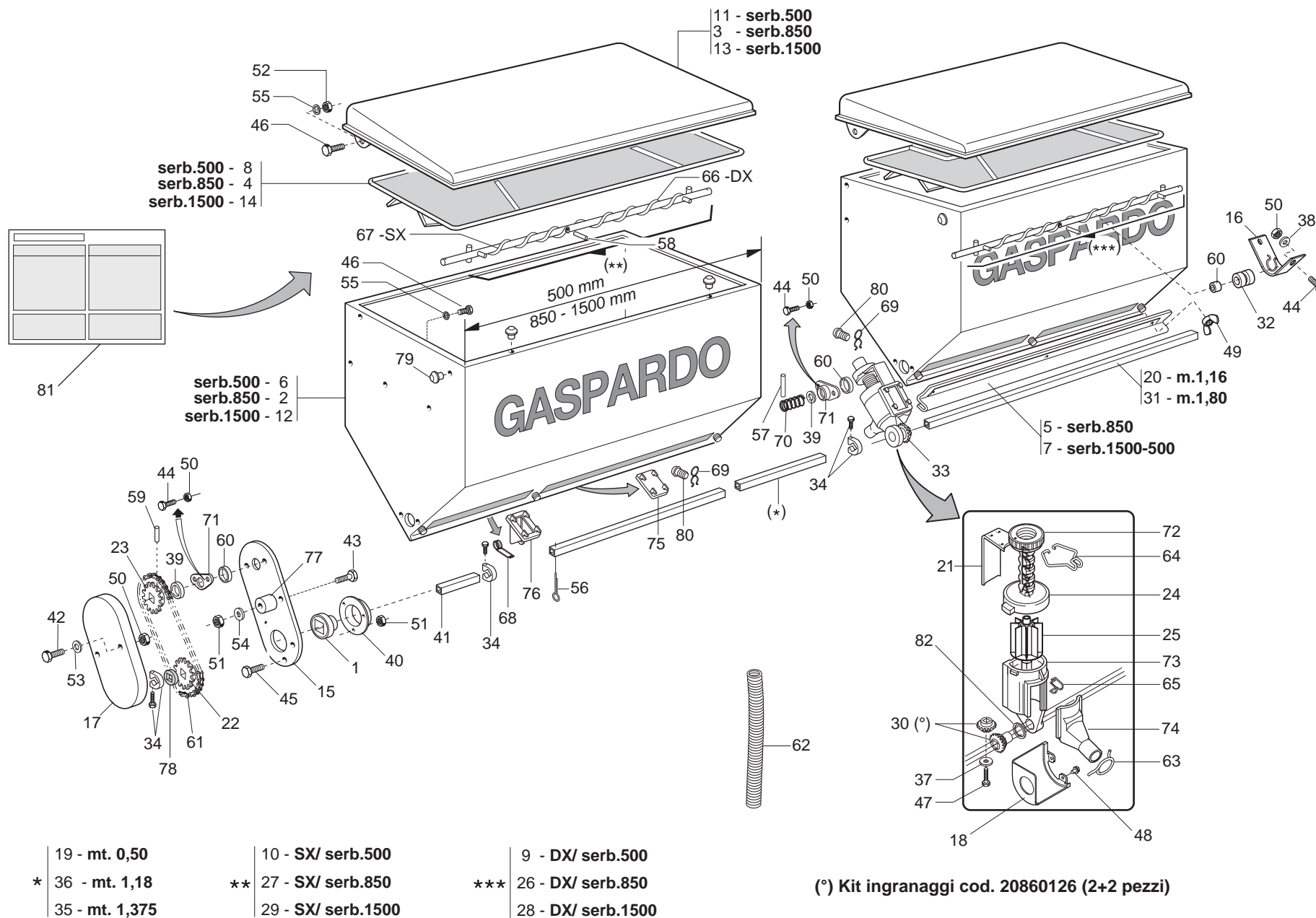
| Pos. | Cod. | Descrizione | Description | Description | Benennung | Descripcion |
|------|-----------|-------------------------------|--------------------------------|--------------------------------|------------------------------|-----------------------------|
| 1 | F01220022 | DADO M 8X1,25 D980 8 ZN | SELF LOCKING NUT M8X1,25 980V | ECROU AUTOBL. M8X1,25 980-V | SELBSTSP.MUTT. M8X1,25 980-V | DADO AUTOBL. M8X1,25 980-V |
| 2 | F01420048 | ROS.M8 8,4X 24X 2 U6593 ZN | PLANE WASHER D.8 | RONDELLE D.8 | SCHEIBE D.8 | ARANDELA D.8 |
| 3 | F01020090 | VITE M8X1,25X100 U5737 8.8 ZN | BOLT 8 X100 5737 8.G GALVANIZ. | VIS 8 X100 5737 8.G ZN | SCHRAUBE 8 X100 5737 8.G ZN | TORNILLO 8 X100 5737 8.G ZN |
| 4 | G14830221 | DISCO PROTEZIONE SASSI | DISK STONE PROTECTION | DISQUE PROTECTION SOLS GRAVELE | STEINSCHUTZ-SCHEIBE | DISCO PROTECIÉN PIEDRAS |
| 5 | F01020097 | VITE M8X1,25X150 U5737 8.8 ZN | SCREW 8X150 5737 8.G GALVANIZ. | VIS 8 X150 5737 8.G ZN | SCHRAUBE 8 X150 5737 8.G ZN | TORNILLO 8 X150 5737 8.G ZN |
| 6 | G15231910 | DISCO PROTEZIONE SASSI R7.50 | | | | |

SUPPORTI SERBATOI SPANDICONCIME FERRO

TAV. 211

| Pos. | Cod. | Descrizione | Description | Description | Benennung | Descripcion |
|------|-----------|--------------------------------|--------------------------------|--------------------------------|---------------------------------|--------------------------------|
| 1 | F20120346 | PUNTALE Q 35 ALETT.POLIT.NERO | | | | |
| 2 | F01420059 | ROS.M10 10,5X 30X2,5 U6593 IX | WASHER 11X30X2,5 6593 A2 | RONDELLE 11X30X2,5 6593 A2 | UNTERLEGSSCHEIBE 11X30X2,5 6593 | ARANDELA 11X30X2,5 6593 A2 |
| 3 | G15171380 | SUPPORTO ESTERNO SPANDI DX | MAN.SPR. EXT. RIGHT SUPPORT | SUPPORT EXT. DRT. EP. ENGRAIS | RECHTE ZUSSERE HALTER.DsNGERST | SOPORTE EXT.DER. ABONADORA . |
| 4 | G15171390 | SUPPORTO ESTERNO SPANDI SX | MAN.SPR.EXT.LEFT SUPPORT | SUPPORT EXT. GCH. EP. ENGRAIS | LINKER ZUSSERE HALTER.DsNGERST | SOPORTE EXTERIOR IZQ.ABONADORA |
| 5 | G16670011 | SUPPORTO SPANDI | SPREADER SUPPORT | SUPPORT +PANDEUR | HALTERUNG SPANDI | SOPORTE ABONADORA |
| 6 | G15472901 | SUPPORTO SPANDI Q.150 | SQ. FERTILIZER SPREADER SUPPOR | SUPPORT +PANDEUR CARR+ 150 | HALTERUNG SPANDI Q.150 | SOPORTE ABONADORA Q.150 |
| 7 | G15473051 | SUPPORTO SERBATOIO ANT. | FRONT HOPPER SUPPORT | SUPPORT TR+MIE AVANT | HALTERUNG VORDERER BEH-LTER | SOPORTE DEPÉSITO ANT. |
| 8 | G18701140 | RONDELLA 11 X35 X5 | WASHER 11 X 35 X 5 | RONDELLE 11 X35 X5 | UNTERLEGSSCHEIBE 11 X35 X5 | ARANDELA 11 X35 X5 |
| 9 | F20110706 | CAV.Q.M10X 1,5X 30 47X 60 ZN | DISK SUPPORT.ELEMENT U BOLT SV | CAVALIER SUPPORT DISQUE SV | VERBINDUNG SCHEIBENHALTERUNG S | PERNO EN U SOP. DISCO SV |
| 10 | F01200271 | DADO M10X 1,5 U5588 A2 IX | NUT 10 5588 6.8 INOX | ECROU 10 5588 6.8 INOX | MUTTER 10 5588 6.8 INOX | TUERCA 10 5588 6.8 INOX |
| 11 | F01200306 | DADO M14X 2 U5588 6.8 ZN | NUT M14X2 | ECROU M14X2 | MUTTER M14X2 | DADO M14X2 |
| 12 | G19204030 | SCONTRO FISS.150 2F D15 | | | | |
| 13 | F01020238 | VITE M14X 2X240 U5737 8.8 BR | BOLT M 14 X240 5737 8.G | VIS M 14 X240 5737 8.G | SCHRAUBE M 14 X240 5737 8.G | TORNILLO M 14 X240 5737 8.G |
| 14 | F01020463 | VITE M10X1,5 X25 U5739 A2 IX | SCREW 10X25 5739 INOX A2 | VIS 10X25 5739 INOX A2 | SCHRAUBE 10X25 5739 INOX A2 | TORNILLO 10X25 5739 INOX A2 |
| 15 | F01020465 | VITE M10X1,5 X35 U5739 A2 IX | SCREW 10X35 5739 INOX A2 | VIS 10X35 5739 INOX A2 | SCHRAUBE 10X35 5739 INOX A2 | TORNILLO 10X35 5739 INOX A2 |
| 16 | F01200271 | DADO M10X 1,5 U5588 A2 IX | NUT 10 5588 6.8 INOX | ECROU 10 5588 6.8 INOX | MUTTER 10 5588 6.8 INOX | TUERCA 10 5588 6.8 INOX |
| 17 | G20890207 | BARRA DIFFUSORI DISERBO L.1400 | WEEDKILLER SPREADER BAR L.1400 | BARRE DIFFUSEURS DESHERBAGE L. | DIFFUSORENSTANGE UNKRAUTVERT. | BARRA DIFUSORES HERBICIDA L.1 |
| 18 | G15472970 | TUBO Q. 35X 4X1200 | SQUARE PIPE 35 X4 X1200 | TUBE CARRE 35 X4 X1200 | VIERKANTRUHR 35 X4 X1200 | TUBO CUADRADO 35 X4 X1200 |

TAV. 220



11 - serb.500
3 - serb.850
13 - serb.1500

serb.500 - 8
serb.850 - 4
serb.1500 - 14

serb.500 - 6
serb.850 - 2
serb.1500 - 12

5 - serb.850
7 - serb.1500-500

19 - mt. 0,50
* 36 - mt. 1,18
35 - mt. 1,375

10 - SX/ serb.500
** 27 - SX/ serb.850
29 - SX/ serb.1500

9 - DX/ serb.500
*** 26 - DX/ serb.850
28 - DX/ serb.1500

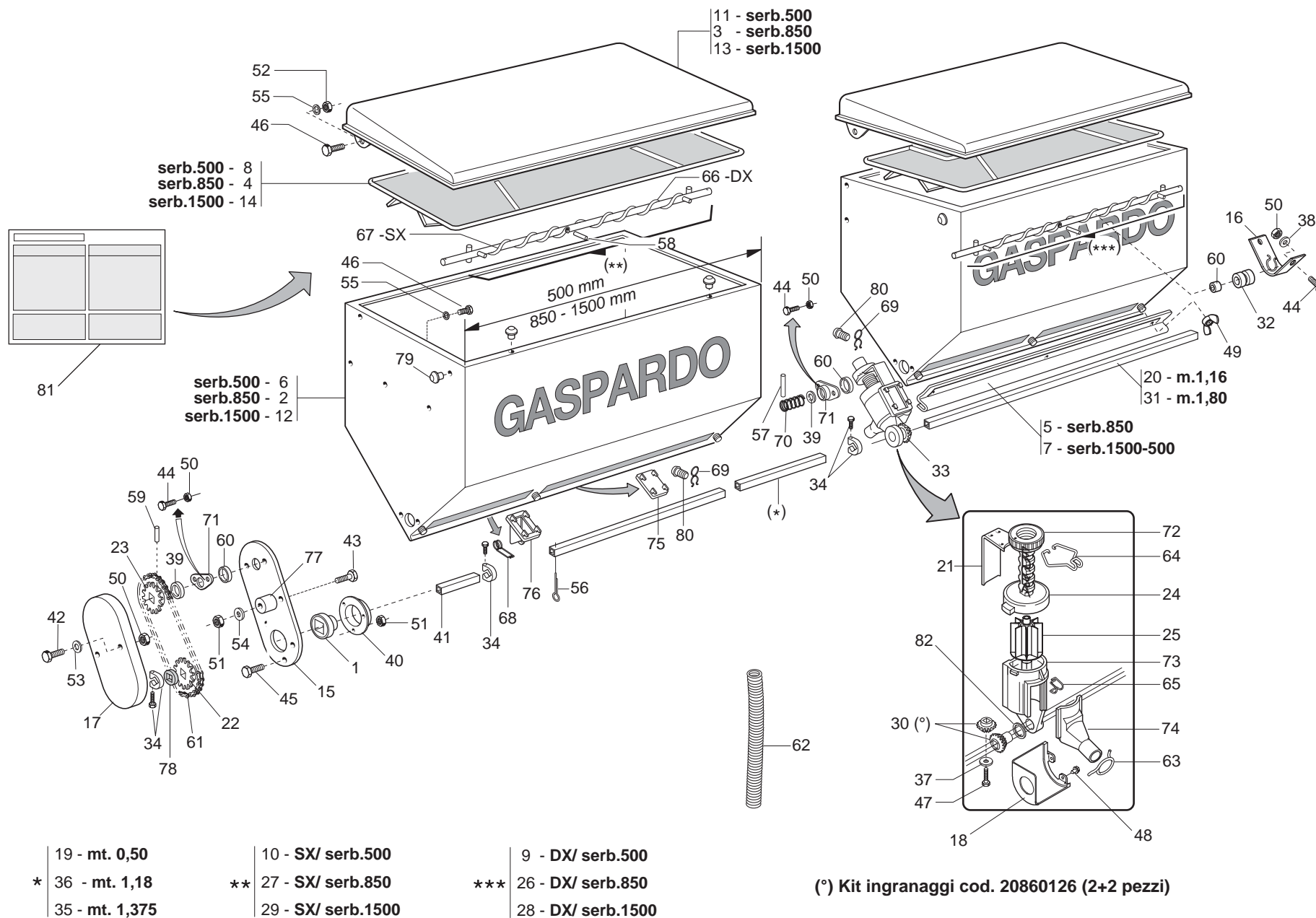
(°) Kit ingranaggi cod. 20860126 (2+2 pezzi)

SERBATOI SPANDICONCIME FERRO

TAV. 220

| Pos. | Cod. | Descrizione | Description | Description | Benennung | Descripcion |
|------|-----------|--------------------------------|--------------------------------|---------------------------------|--------------------------------|--------------------------------|
| 1 | G14830390 | CUSCINETTO FORO QUADRO | SQUARE-HOLED BEARING | ROULEMENT AL+SAGE CARR+ | VIERKANTLAGER | COJINETE ORIFICIO CUADRADO |
| 2 | G15470500 | SERBATOIO CONCIME 850 | MANURE TANK 850 | RESERVOIR ENGRAIS 850 | DsNGERBEHZLTER 850 | DEPSITO ABONO 850 B |
| 3 | G15470580 | COPERCHIO SERBATOIO 850 | TANK TOP 850 | COUVERCLE RESERVOIR 650 | BEHZLTERDECKEL 850 | TAPA DEPSITO 850 A |
| 4 | G15470700 | GRIGLIA 850 | GRID 850 | GRILLE 850 | GITTER 850 | REJILLA 850 |
| 5 | G15470780 | PORTA DI PULIZIA SERB.850 | TANK 850 CLEANING DOOR | PORTE DE NETTOYAGE RESERVOIR 8 | REINIGUNGSTsR BEHZLTER 850 | PUERTA DE LIMPIEZA DEPS. 850 P |
| 6 | G15471010 | SERBATOIO CONCIME 500 | FERTILIZER TANK 500 | RESERVOIR ENGRAIS 500 | DsNGERBEHZLTER 500 | DEPSITO ABONO 500 B |
| 7 | G15471040 | PORTA DI PULIZIA | CLEANING DOOR | PORTE DE NETTOYAGE | REINIGUNGSTsR | PUERTA LIMPIEZA |
| 8 | G15471090 | GRIGLIA 500 | GRID 500 | GRILLE 500 | GITTER 500 | REJILLA 500 |
| 9 | G15471120 | ASSE AGITAT.DX SERBATOIO 500 | RIGHT TANK STIRRER SPINDLE 500 | AXE AGIT. DRT RESERVOIR 500 | ACHSE SAMENMISCHER RE BEHZLTER | EJE AGITADOR DER DEPSITO 500 A |
| 10 | G15471130 | ASSE AGITAT. SX SERBATOIO 500 | LEFT TANK STIRRER SPINDLE 500 | AXE AGIT. GCH RESERVOIR 500 | ACHSE SAMENMISCHER LI BEHZLTER | EJE AGITADOR IZQ DEPSITO 500 A |
| 11 | G15471140 | COPERCHIO SERBATOIO 500 | TANK COVER 500 | COUVERCLE RESERVOIR 500 | BEHZLTERDECKEL 500 | TAPA DEPSITO 500 A |
| 12 | G15471280 | SERBATOIO CONCIME 1500 | FERTILIZER TANK 1500 | RESERVOIR ENGRAIS 1500 | DsNGERBEHZLTER 1500 | DEPSITO ABONO 1500 B |
| 13 | G15471320 | COPERCHIO SERBATOIO 1500 | TANK COVER 1500 | COUVERCLE RESERVOIR 1500 | BEHZLTERDECKEL 1500 | TAPA DEPSITO 1500 A |
| 14 | G15471390 | GRIGLIA 1500 | GRID 1500 | GRILLE 1500 | GITTER 1500 | REJILLA 1500 |
| 15 | G15471930 | PROTEZIONE | GUARD | PROTECTION | SCHUTZ | PROTECCIN P |
| 16 | G15471990 | SUPPORTO COCLEA | SCREW SUPPORT | SUPPORT VISALIMENTATION | HALTERUNG SCHNECKE | SOPORTE CCLEA S |
| 17 | G19002710 | PROTEZ.RINVIO SPANDICONCIME | FERTILIZER TRANSM. PROTECTION | PROTECTION RENVOI FERTILISEUR | SCHUTZ VORGELEGE DUNGERSTREUER | PROTECCION TRANSMISION ABONADO |
| 18 | G19002850 | PROTEZIONE PIGNONE | PINION GUARD | PROTECTION PIGNON | RITZELSCHUTZ | PROTECCIN P1/4N PR |
| 19 | G20860012 | MANICOTTO DI UNIONE L.500 | JOINT SLEEVE L.500 | MANCHON DE RACCORD L. 500 | VERBINDUNGSMUFFE L.500 | MANGUITO DE UNIN L.500 M |
| 20 | G20860008 | ASSE LATO CAMBIO 2 F. L.1160 | GEARBOX SIDE SPINDLE- 2-ROW L. | AXE COTE BOITE DE VITESSE | ACHSE GETRIEBSEITE 2 R. L. 11 | EJE LADO CAMBIO 2 FIL. L.1 |
| 21 | G20860052 | REGOLATORE APERTURA | OPENING REGULATOR | REGULATEUR OUVERTURE | TFFNUNGSEINSTELLER | REGULADOR ABERTURA |
| 22 | G20860086 | INGRANAGGIO 1/2 Z-12 F.Q. | GEAR 1/2 Z-12 F.Q. | ENGRENAGE 1/2 Z-12 TROUS CARRE | ZAHNRAD 1/2 Z-12 F.Q. | ENGRANAJE 1/2 Z-12 F.Q. |
| 23 | G20860088 | INGRANAGGIO 1/2 Z-12 F.T. | GEAR 1/2 Z-12 F.T. | ENGRENAGE 1/2 Z-12 TROUS ROUNDS | ZAHNRAD 1/2 Z-12 F.T. | ENGRANAJE 1/2 Z-12 F.T. |
| 24 | G20860093 | VITE DI REGOL. | ADJUSTMENT BOLT | VIS DE REGLAGE | EINSTELLSCHRAUBE. | TORNILLO DE REGULACIN S |
| 25 | G20860106 | DOSATORE SPANDI 8 PALE COMPL. | FERT.METERING DEVICE ASS.8 GRO | ROTOR DOSEUR 8C FERTI | DOSIERER DUNGER.KOMPL. 8 SEKT | DOSIFICADOR ABONO COMP.8 SECT |
| 26 | G20860121 | ASSE AGITAT.DX SERB.850 COMPL. | STIRRER SPINDLE- RIGHT 850 TAN | AXE AGITATEUR DRT. RESERVOIR 8 | SAMENMISCHERACHSE RE BEH.850 | EJE AGITAD. DER. DEPS.850 COMA |
| 27 | G20860122 | ASSE AGITAT.SX SERB.850 COMPL. | STIRRER SPINDLE- LEFT 850 TANK | AXE AGITATEUR GCH. RESERVOIR 8 | SAMENMISCHERACHSE LI BEH.850 | EJE AGITAD. IZQ. DEPS. 850 COA |
| 28 | G20860123 | AGIT.DX SERB.1500 3-4 USC.COMP | RIGHT 1500 TANK STIRRER- 3-4 O | AGITATEUR DRT. RESERVOIR 1500 | SAMENMI. RE BEH.1500 3-4AUSG. | AGIT. DER. DEPS. 1500 3-4 SALA |
| 29 | G20860124 | AGIT.SX SERB.1500 3-4 USC.COMP | LEFT 1500 TANK STIRRER- 3-4 OU | AGITATEUR GCH. RESERVOIR 1500 | SAMENMI. LI BEH.1500 3-4 AUSG. | AGIT. IZQ. DEPS. 1500 3-4 SALA |
| 30 | G20860126 | KIT INGR DISTR CONCIME (2+2) | KIT- MAN. DISTR. GEARS | COUPLE CON DISTR ENGRAIS (2+2) | KIT ZAHNRZDER DsNGERSTREUER | SET ENGRANAJES DISTRIB. ABONO |
| 31 | G20870028 | ASSE SERB.LATO TRAS.6F.L.1800 | AXLE- GEARBOX SIDE- 6-ROW L.18 | AXE RESERVOIR COTE ENTRAINEMEN | ACHSE BEHZLTER ANTRIEBSS. 6F.L | EJE DEPS. LADO TRANS. 6 FILA A |
| 32 | G19005040 | BOCCOLA ASSE SPANDI | FERT. SPREADER AXLE BUSH | DOUILLE AXE +PANDEUR | ACHSENBUCHSE STREUER | MANGUITO -RBOL ABONADORA |
| 33 | G20880044 | DISTR.COMPL.8PALE SPANDI FE | COMPL.IRON FERTIL.DISTR.8 RIBS | MINIMAX COMPL 8C FER | KOMPL.DOSIER.MET.DUNGERSTR.8S | DISTR.COMP.ABONO HIER.8ALETAS |
| 34 | G22505085 | FERMO ASSE IN LAMIERA | PLATE AXLE STOP | ARRET AXE EN TOLE | FESTSTELLVORRICHTUNG BLECHACHS | BLOQUEO EJE DE CHAPA |
| 35 | G20910044 | MANICOTTO UNIONE L.1375 | JOINT SLEEVE L.1375 | MANCHON RACCORD L. 1375 | VERBINDUNGSMUFFE L.1375 | MANGUITO DE UNIN L.1375 M |
| 36 | G20910045 | MANICOTTO UNIONE L.1180 | JOINT SLEEVE L.1180 | MANCHON RACCORD L. 1180 | VERBINDUNGSMUFFE L.1180 | MANGUITO DE UNIN L.1180 M |
| 37 | G20970097 | RONDELLA 32X3X4,5 | WASHER 32X3X4-5 | RONDELLE 32X3X4-5 | UNTERLEGSCHIEBE 32X3X4-5 | ARANDELA 32X3X4-5 |
| 38 | G20970125 | RONDELLA 28X2,5X6,5 | WASHER 28X2-5X6-5 | RONDELLE 28X2-5X6-5 | UNTERLEGSCHIEBE 28X2-5X6-5 | ARANDELA 28X2-5X6-5 |
| 39 | G22220073 | RONDELLA 28X0,3X16,5 | WASHER 28X0-3X16-5 | RONDELLE 28X0-3X16-5 | UNTERLEGSCHIEBE 28X0-3X16-5 | ARANDELA 28X0-3X16-5 |
| 40 | G22230094 | SUPPORTO CUSCINETTO | BEARING SUPPORT | SUPPORT PALIER | LAGERBsCHSE | SOPORTE COJINETE |
| 41 | G22250287 | MANICOTTO DISTANZIALE SV | SPACER SLEEVE SV | MANCHON ENTRETOISE SV | ABSTANDSMUFFE SV | MANGUITO DISTANCIADOR SV |
| 42 | F01020043 | VITE M 6X 1X 60 U5737 8.8 ZN | BOLT 6 X60 5737 8.G GALVANIZED | VIS 6 X60 5737 8.G ZN | SCHRAUBE 6 X60 5737 8.G ZN | TORNILLO 6 X60 5737 8.G ZN |
| 43 | F01020068 | VITE M 8X1,25X40 U5737 8.8 ZN | | | | |
| 44 | F01020419 | VITE M 6X1 X 16 U5739 A2 IX | BOLT M6 X1 X 16 U5739 8.8 IX | VIS M6 X1 X 16 U5739 8.8 IX | SCHRAUBE M6 X1 X 16 U5739 8. | TORNIL. M6 X1 X 16 U5739 8.8 |
| 45 | F01020432 | VITE M 8X1,25X16 U5739 8.8 ZN | BOLT M8X16 | VIS M8X16 | SCHRAUBE M8X16 | TORNILLO M8X16 |
| 46 | F01020463 | VITE M10X1,5 X25 U5739 A2 IX | SCREW 10X25 5739 INOX A2 | VIS 10X25 5739 INOX A2 | SCHRAUBE 10X25 5739 INOX A2 | TORNILLO 10X25 5739 INOX A2 |
| 47 | F01070075 | VIT.A.4,2X1,41X 38 6954 4.8NI | BOLT 4-2X38 DIN 7981 | VIS 4-2X38 DIN 7981 | SCHRAUBE 4-2X38 DIN 7981 | TORNILLO 4-2X38 DIN 7981 |
| 48 | F01070011 | VIT.A.4,2X1,41X 9,5 6950 4.8NI | BOLT- SELF-TAPPING 4-2X9-5T.E. | VIS AUTOTAR. 4-2X9-5 T. E. COU | SELBSTSCHNEID. SCHRAUBE 4-2X9- | TORNILLO AUTORROSC. 4-2X9-5 |
| 49 | F01240012 | DADO M 6X 1 U5448 5.8 ZN | NUT 6 UNI 5448 5.8 ZN | ECROU 6 UNI 5448 5.8 ZN | MUTTER 6 UNI 5448 5.8 ZN | TUERCA 6 UNI 5448 5.8 ZN |
| 50 | F01200233 | DADO M 6X 1 U5588 A2 IX | NUT M 6X 1 U5588 IX | ECROU M 6X 1 U5588 I | MUTTER M 6X 1 U5588 | TUERCA M 6X 1 U5588 |
| 51 | F01200244 | DADO M 8X1,25 U5588 6.8 ZN | NUT M8 | ECROU M8 | MUTTER M8 | DADO M8 |
| 52 | F01200271 | DADO M10X 1,5 U5588 A2 IX | NUT 10 5588 6.8 INOX | ECROU 10 5588 6.8 INOX | MUTTER 10 5588 6.8 INOX | TUERCA 10 5588 6.8 INOX |
| 53 | F01410037 | ROS.M6 6,4X12,5X1,6 U6592 ZN | PLANE WASHER D.6 | RONDELLE D.6 | SCHIEBE D.6 | ARANDELA D.6 |
| 54 | F01410051 | ROS.M8 8,4X 17X1,6 U6592 ZN | PLANE WASHER D.8 | RONDELLE D.8 | SCHIEBE D.8 | ARANDELA D.8 |
| 55 | F01420059 | ROS.M10 10,5X 30X2,5 U6593 IX | WASHER 11X30X2,5 6593 A2 | RONDELLE 11X30X2,5 6593 A2 | UNTERLEGSCHIEBE 11X30X2,5 6593 | ARANDELA 11X30X2,5 6593 A2 |

TAV. 220

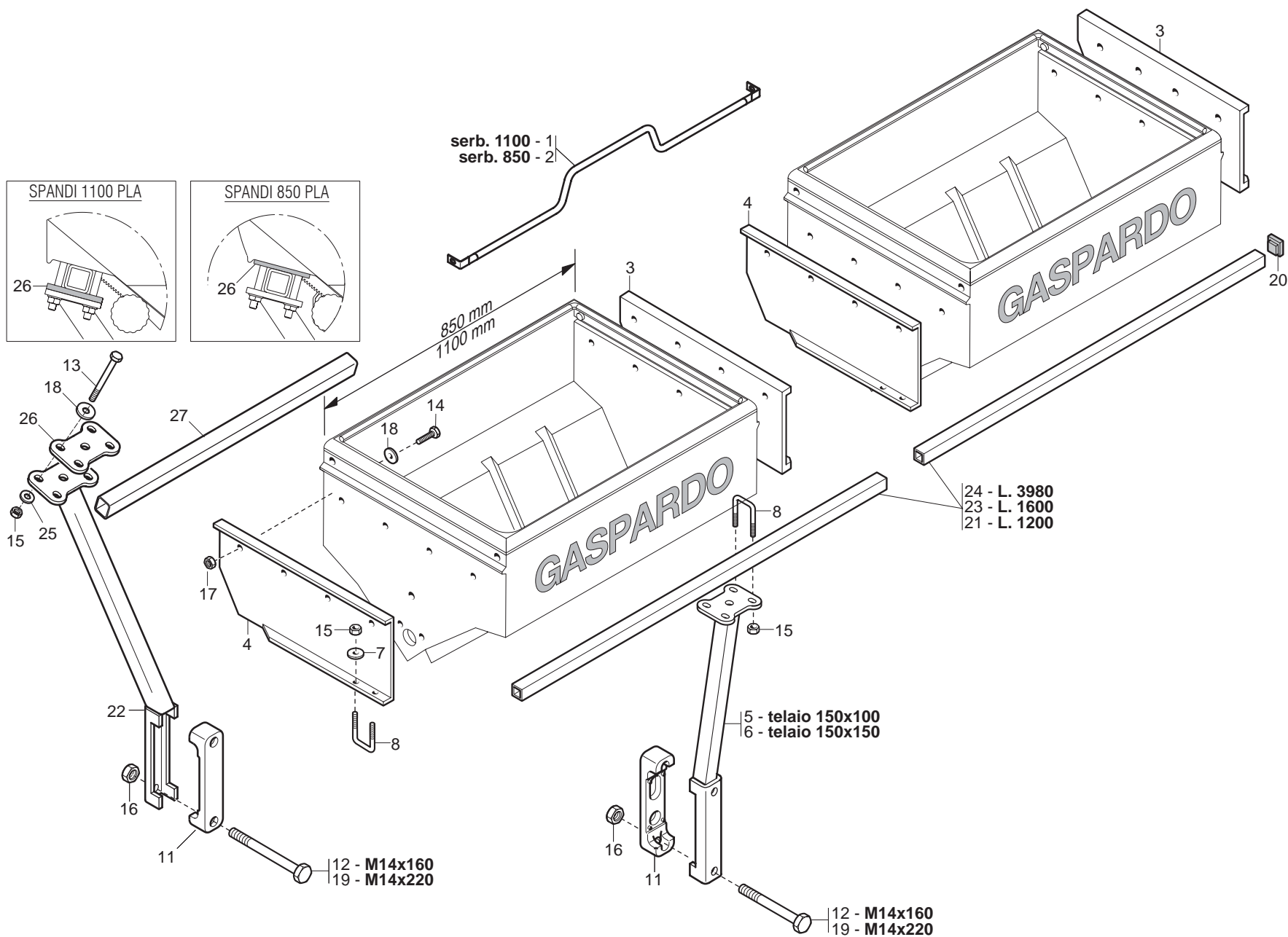
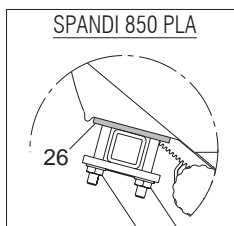
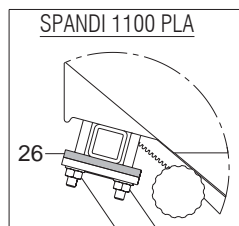


SERBATOI SPANDICONCIME FERRO

TAV. 220

| Pos. | Cod. | Descrizione | Description | Description | Benennung | Descripcion |
|------|-----------|--------------------------------|--------------------------------|--------------------------------|--------------------------------|--------------------------------|
| 56 | F02200227 | COPIGLIA 5X 30 U1336 ZN | SPLIT PIN 5 X30 1336 GALVAN. | GOUPILLE 5 X30 1336 ZN | SPLINT 5 X30 1336 ZN | PASADOR 5 X30 1336 ZN |
| 57 | F02100079 | SPINA E.P. 5X 16 U6873 C70 BR | | | | |
| 58 | F02100089 | SPINA E.P. 5X 36 U6873 C70 BR | PIN EL. 5 X36 DIN 1481 | FICHE EL. 5 X36 DIN 1481 | SPANNSTIFT 5 X36 DIN 1481 | CLAVIJA EL.5 X36 DIN 1481 |
| 59 | F02100114 | SPINA E.P. 6X 30 U6873 C70 BR | ELASTIC PIN 6X30 | GOUJON ELASTIQUE 6X30 | SPANNHUELSE 6X30 | ESPINA ELASTICA 6X30 |
| 60 | F03011081 | GUARNIZIONI LABBRO DE100 | | | | |
| 61 | F06080196 | CATENA 1/2 ISO 083 32 MAGLIE | CUT-DOWN CHAIN .1/2 ISO 083 32 | TRONCON CHAINE 1/2 ISO 083 32 | KETTENZNGE 1/2 ISO 083 32 GL | TRECHO CADENA 1/2 ISO 083 32 |
| 62 | F03100500 | TUBO EOLO 35 PU | EOLO PIPE 35 PU | TUBE EOLO 35 PU | ROHR EOLO 35 PU | TUBO EOLO 35 PU |
| 63 | G65336025 | MOLLA SPEC.ZN STRINGIT.ASP.SP | SPEC SPRING ZN FAN . PIPE CLAM | RESSORT SPEC. ZN SERRE-TUBE AS | SPEZIALFEDER ZN RORHSCHELLE AB | MUELLE ESPEC. ZN APRIETA TUBOS |
| 64 | G65336055 | MOLLA SPEC.REGOL.SPAND. SP | SPEC SPRING MAN. SPR. ADJUSTM. | RESSORT SPEC. REGL. EP. ENTRA | SPEZIALFEDER STREUEREINSTELLUN | MUELLE ESPEC. REGUL. ABONADORA |
| 65 | G65336062 | MOLLA SPEC.SCIV.DISTR.SPAND.SP | SPEC SPRING - MAN. SPR. DISTR. | RESS. SPEC. LANCOIR DISTR. EP. | SPEZ.FEDER RUTSCHE SZAPP. STRE | MUELLE ESPEC.PLANO INCL.DISTR. |
| 66 | G65336064 | MOLLA SPEC.COCLEA DX SPAND.HL | SPEC. WORM SCREW SPRING RIGHT | RESSORT SPEC. VIS DRT. EP. ENG | SPEZ.FEDER RE SCHNECKE STREUER | MUELLE ESPEC. TORN.S/F DER. AB |
| 67 | G65336065 | MOLLA SPEC.COCLEA SX SPAND.HL | SPEC. WORM SCREW SPRING LEFT M | RESSORT SPEC. VIS GCH. EP. ENG | SPEZ.FEDER LI SCHNECKE STREUER | MUELLE ESPEC. TORN.S/F IZQ. AB |
| 68 | G65336080 | MOLLA SPEC.SCARICO SPAND.T.M. | SPEC.SPRING- MAN. SPR. DISCHAR | RESSORT SPEC. DECHARGEMENT FER | SPEZIALFEDER STREUERENTLADUNG | MUELLE ESPEC. DESCARGA ABONAD. |
| 69 | G65336089 | MOLLA SPEC.TENUTA FERMO SPAND. | SPEC.SPRING- BLOCK. MAN. SPR. | RESSORT SPEC. D'ETANCHEITE ARR | SPEZIALFEDER DICHTUNG STREUER | MUELLE ESPEC. RETENC. BLOQ |
| 70 | G65338043 | MOLLA COMP.ZN SERB. M80 | ZN TANK COMP.SPRING M80 | RESSORT COMPL. ZN RESERVOIR M8 | DRUCKFEDER ZN BEHZLTER M80 | MUELLE COMP.ZN DEPS. M80 A |
| 71 | G66248121 | BOCCOLA CON FLANGIA M80 | BUSHING W/ FLANGE M80 | SUPPORT AVEC BRIDE M80 | BsCHSE MIT FLANSCH M80 | CASQUILLO CON BRIDA M80 |
| 72 | G66248125 | GHIERA REGOLAZIONE M80 | ADJUSTMENT KNURLED NUT M80 | BAGUE REGLAGE M80 | EINSTELLMUTTER M80 | CONTRATUERCA REGULACIN M80 G |
| 73 | G66248176 | CORPO DISTR.SPAND. SP | MANURE SPREADER DISTR. CASING | CORPS DISTRIB. EP. ENGRAIS SP | VERTEILUNGSKTRPER STREUER SP | CUERPO DISTR. ABON. SP |
| 74 | G66248178 | SCIVOLO DISTR.SPAND. SP | CHUTE- MANURE-SPREADER DISTRIB | LANCOIR DISTRIBUTION EP. ENGR. | DsNGERSTREUER RUTSCHE SP | PLANO INCLINADO DISTR. ABON. S |
| 75 | G66248184 | CHIUSURA USCITA SERB.SPAND.SP | OUTLET CLOSURE- MAN.SPREAD. TA | FERMETURE SORTIE RESERVOIR FER | VERSCHLUSS AUSTRITT DsNGERSTR. | CIERRE SALIDA DEPS. ABON. SP I |
| 76 | G66248187 | SCARICO SERB.SPAND.TIPO MICRO | MICRO TYPE MAN.SPR.TANK DISCH. | TRAPPE DE VIDANGE TYPE MICRO | BEHZLTERENTLADUNG STREUER TYP | DESCARGA DEPS. ABON.TIPO MICRD |
| 77 | G66248207 | TENDICATENA SPAND. SP-520 | CHAIN TENSIONER | TENDEUR DE CHAINE EPAND. ENGR. | KETTENSPANNER DsNGERSTR. SP-52 | SENSOR DE CADENA ABON. SP-520 |
| 78 | G66248218 | RONDELLA DISTAN.SPAND. | MAN. SPR. SPACER WASHER | RONDELLE ENTRETOISE EP. ENGRAI | ABSTANDSCHEIBE DsNGERSTREUER | ARANDELA DISTAN.ABONAD. |
| 79 | G66248223 | TAPPO SUPP.SPAND.D.11 | PLUG MAN. SPR. SUPP. D.11 | BOUCHON SUPPORT EP. ENGRAIS D. | HALTERUNGSPFROPFEN DsNGERSTR. | TAPN SOPORTE ABON.D.11 D |
| 80 | G66248224 | FERMO DISTRIBUTORE SPAND. | FERT. SPR. DISTRIB. STOP | ARRET DISTRIBUTEUR EP. ENGRAIS | FESTSTELLVORRICHTUNG SZAPP. ST | BLOQUEO DISTRIBUIDOR ABON. |
| 81 | G19700821 | TABELLA CONCIME SP540 | FERTILIZER CHART STICKER | DECALC. TABLEAU DE ENGRAIS | ABZIEHB. TABELLE D_NGER | CAL.TABLAABONO |
| 82 | G18701500 | RONDELLA 29,5 X38 X0,3 | WASHER 29,5 X 38 X 0,3 | RONDELLE 29,5 X38 X0,3 | UNTERLEGSCHIEBE 29,5X38X0,3 | ARANDELA 29,5 X38 X0,3 |

TAV. 231

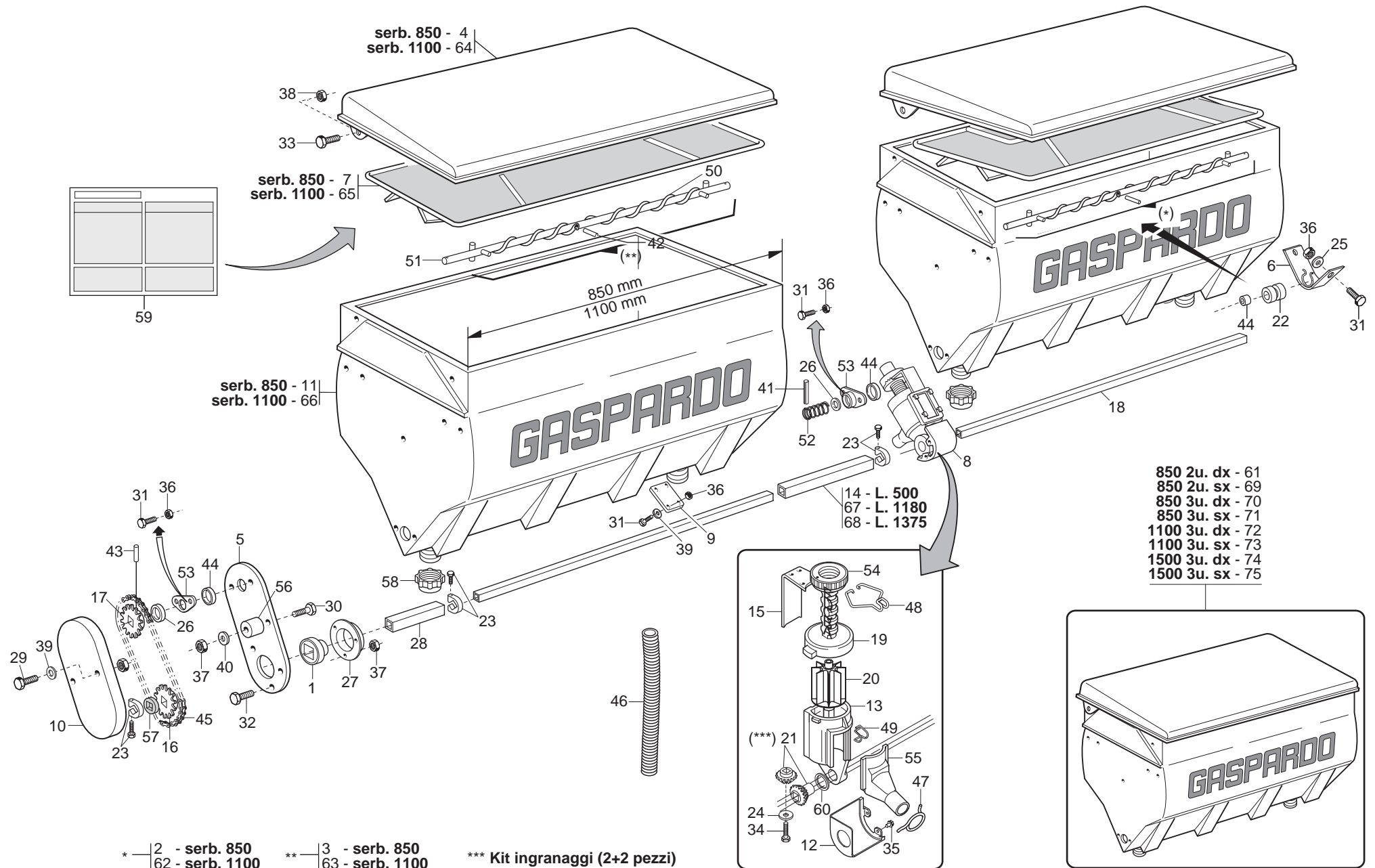


SUPPORTI SERBATOI SPANDICONCIME PLASTICA

TAV. 231

| Pos. | Cod. | Descrizione | Description | Description | Benennung | Descripcion |
|------|-----------|-------------------------------|--------------------------------|--------------------------------|---------------------------------|--------------------------------|
| 1 | G15272961 | RINFORZO SPANDICONCIME 1100 | FERTILIZER 1100 REINFORCEMENT | RENFORT EPANDEUR D'ENGRAIS 110 | VERSTZRKUNG DsNGERSTREUER 1100 | REFUERZO ABONADORA 1100 |
| 2 | G15273180 | RINFORZO SPANDICONCIME 850 | FERTILIZER 850 REINFORCEMENT | RENFORT EPANDEUR D'ENGRAIS 850 | VERSTZRKUNG DsNGERSTREUER 850 | REFUERZO ABONADORA 850 |
| 3 | G15171380 | SUPPORTO ESTERNO SPANDI DX | MAN.SPR. EXT. RIGHT SUPPORT | SUPPORT EXT. DRT. EP. ENGRAIS | RECHTE ZUSSERE HALTER.DsNGERST | SOPORTE EXT.DER. ABONADORA . |
| 4 | G15171390 | SUPPORTO ESTERNO SPANDI SX | MAN.SPR.EXT.LEFT SUPPORT | SUPPORT EXT. GCH. EP. ENGRAIS | LINKER ZUSSERE HALTER.DsNGERST | SOPORTE EXTERIOR IZQ.ABONADORA |
| 5 | G16670011 | SUPPORTO SPANDI | SPREADER SUPPORT | SUPPORT +PANDEUR | HALTERUNG SPANDI | SOPORTE ABONADORA |
| 6 | G15472901 | SUPPORTO SPANDI Q.150 | SQ. FERTILIZER SPREADER SUPPOR | SUPPORT +PANDEUR CARR+ 150 | HALTERUNG SPANDI Q.150 | SOPORTE ABONADORA Q.150 |
| 7 | G18701140 | RONDELLA 11 X35 X5 | WASHER 11 X 35 X 5 | RONDELLE 11 X35 X5 | UNTERLEGSSCHEIBE 11 X35 X5 | ARANDELA 11 X35 X5 |
| 8 | F20110706 | CAV.Q.M10X 1,5X 30 47X 60 ZN | DISK SUPPORT.ELEMENT U BOLT SV | CAVALIER SUPPORT DISQUE SV | VERBINDUNG SCHEIBENHALTERUNG S | PERNO EN U SOP. DISCO SV |
| 9 | F20110770 | CAV.Q.M14X 2X 50 96X119 ZN | U-BOLT M14X96 - 119 ZN | CAVALIER M14X96 - 119 ZN | VERBINDUNG M14X96 - 119 ZN | PERNO EN U M14X96 - 119 ZN |
| 10 | G18700690 | RONDELLA 15 X40 X6 ZN | WASHER 15 X 40 X 6 ZN | RONDELLE 15 X40 X6 ZN | UNTERLEGSSCHEIBE 15 X40 X6 ZN | ARANDELA 15 X40 X6 ZN |
| 11 | G18700690 | RONDELLA 15 X40 X6 ZN | WASHER 15 X 40 X 6 ZN | RONDELLE 15 X40 X6 ZN | UNTERLEGSSCHEIBE 15 X40 X6 ZN | ARANDELA 15 X40 X6 ZN |
| 12 | F01020225 | VITE M14X 2X160 U5737 8.8 BR | BOLT M 14 X160 5737 8.G | VIS M 14 X160 5737 8.G | SCHRAUBE M 14 X160 5737 8.G | TORNILLO M 14 X160 5737 8.G |
| 13 | F01020144 | VIT.M10X 1,5X 75 U5737 A2 IX | | | | |
| 14 | F01020465 | VITE M10X1,5 X35 U5739 A2 IX | SCREW 10X35 5739 INOX A2 | VIS 10X35 5739 INOX A2 | SCHRAUBE 10X35 5739 INOX A2 | TORNILLO 10X35 5739 INOX A2 |
| 15 | F01200271 | DADO M10X 1,5 U5588 A2 IX | NUT 10 5588 6.8 INOX | ECROU 10 5588 6.8 INOX | MUTTER 10 5588 6.8 INOX | TUERCA 10 5588 6.8 INOX |
| 16 | F01200306 | DADO M14X 2 U5588 6.8 ZN | NUT M14X2 | ECROU M14X2 | MUTTER M14X2 | DADO M14X2 |
| 17 | F01200271 | DADO M10X 1,5 U5588 A2 IX | NUT 10 5588 6.8 INOX | ECROU 10 5588 6.8 INOX | MUTTER 10 5588 6.8 INOX | TUERCA 10 5588 6.8 INOX |
| 18 | F01420059 | ROS.M10 10,5X 30X2,5 U6593 IX | WASHER 11X30X2,5 6593 A2 | RONDELLE 11X30X2,5 6593 A2 | UNTERLEGSSCHEIBE 11X30X2,5 6593 | ARANDELA 11X30X2,5 6593 A2 |
| 19 | F01020236 | VITE M14X 2X220 U5737 8.8 BR | SCREW M14X2X220 U5737 8.8 BR | VIS M14X2X220 U5737 8.8 BR | SCHRAUBE M14X2X220 U5737 8.8 | TORNILLO M14X2X220 U5737 8.8 |
| 20 | F20120346 | PUNTALE Q 35 ALETT.POLIT.NERO | | | | |
| 21 | G15472970 | TUBO Q. 35X 4X1200 | SQUARE PIPE 35 X4 X1200 | TUBE CARRE 35 X4 X1200 | VIERKANTROHR 35 X4 X1200 | TUBO CUADRADO 35 X4 X1200 |
| 22 | G15275790 | ASS.SUPPORTO ANT.SPANDI PLA | | | | |
| 23 | G07000375 | TUBO Q. 35X 3X1600 | SQUARE PIPE 35X35X4X1600 | TUBE CARRE 35X35X4X1600 | VIERKANTROHR 35X35X4X1600 | TUBO CUADRADO 35X35X4X1600 |
| 24 | G07000370 | TUBO Q. 35X 3X3980 | SQUARE PIPE 35X35X4X3980 | TUBE CARRE 35X35X4X3980 | VIERKANTROHR 35X35X4X3980 | TUBO CUADRADO 35X35X4X3980 |
| 25 | F01410064 | ROS.M10 10,5X 20X 2 U6592 ZN | WASHER 10,5X21 | RONDELLE 10,5X21 | SCHEIBE 10,5X21 | ARANDELA 10,5X21 |
| 26 | G14276330 | | | | | |
| 27 | G15171650 | | | | | |

TAV. 240

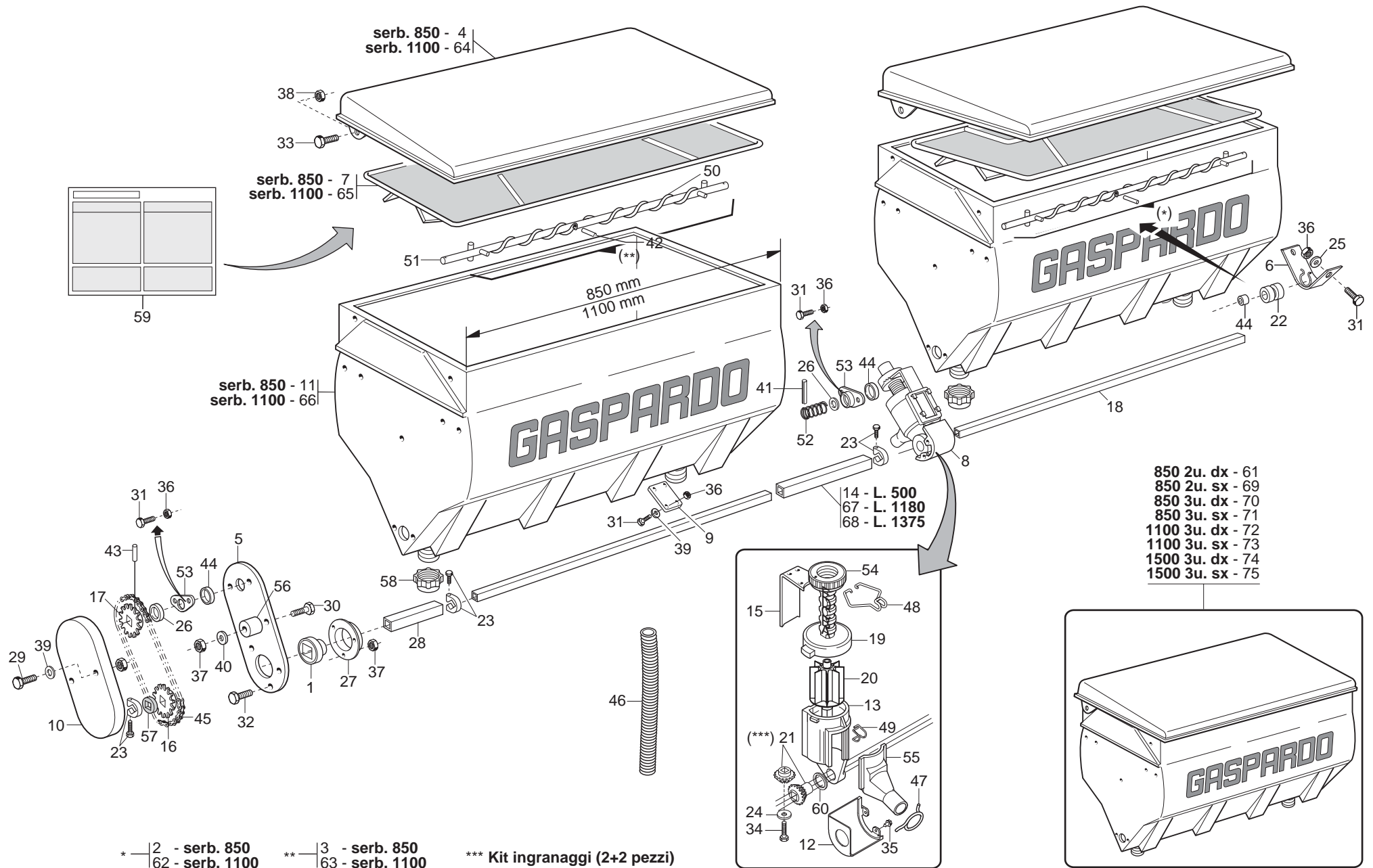


SERBATOI SPANDICONCIME PLASTICA

TAV. 240

| Pos. | Cod. | Descrizione | Description | Description | Benennung | Descripcion |
|------|-----------|--------------------------------|--------------------------------|--------------------------------|---------------------------------|--------------------------------|
| 1 | G14830390 | CUSCINETTO FORO QUADRO | SQUARE-HOLED BEARING | ROULEMENT AL+SAGE CARR+ | VIERKANTLAGER | COJINETE ORIFICIO CUADRADO |
| 2 | G20860121 | ASSE AGITAT.DX SERB.850 COMPL. | STIRRER SPINDLE- RIGHT 850 TAN | AXE AGITATEUR DRT. RESERVOIR 8 | SAMENMISCHERACHSE RE BEH.850 | EJE AGITAD. DER. DEPS.850 COMA |
| 3 | G20860122 | ASSE AGITAT.SX SERB.850 COMPL. | STIRRER SPINDLE- LEFT 850 TANK | AXE AGITATEUR GCH. RESERVOIR 8 | SAMENMISCHERACHSE LI BEH.850 | EJE AGITAD. IZQ. DEPS. 850 COA |
| 4 | G15470580 | COPERCHIO SERBATOIO 850 | TANK TOP 850 | COUVERCLE RESERVOIR 650 | BEHZLTERDECKEL 850 | TAPA DEPSITO 850 A |
| 5 | G15471930 | PROTEZIONE | GUARD | PROTECTION | SCHUTZ | PROTECCIN P |
| 6 | G15471990 | SUPPORTO COCLEA | SCREW SUPPORT | SUPPORT VIS ALIMENTATION | HALTERUNG SCHNECKE | SOPORTE CCLEA S |
| 7 | G15472760 | GRIGLIA SERBATOIO PLASTICA 850 | PLASTIC TANK GRID 850 | GRILLE RESERVOIR PLASTIQUE 850 | BEHZLTERGITTER PLAST.850 | REJILLA DEPSITO PLAST.850 G |
| 8 | G15472770 | DISTR.COMPL.8PALE SPANDI PL | COMPL.PLAS.FERTIL.DISTR.8RIBS | MINIMAX COMPL.8C PLA | KOMPL.DOSIER.PLA.DÜNGERSTR.8S | DISTR.COMP.ABONO PLAST.8AL. |
| 9 | G15472780 | TAPPO SPANDI PLASTICA | PLASTIC FERT. SPREADER PLUG | BOUCHON EPAND. PLASTIQUE | PLASTIKPFROPFEN DsNGERSTR. | TAPN ABONADORA PLÆSTICO D |
| 10 | G19002710 | PROTEZ.RINVIO SPANDICONCIME | FERTILIZER TRANSM. PROTECTION | PROTECTION RENVOI FERTILISEUR | SCHUTZ VORGELEGE DUNGERSTREUER | PROTECCION TRANSMISION ABONADO |
| 11 | G19004470 | SERBATOIO CONCIME 850 | FERTILIZER HOPPER 850 | TR+MIE ENGRAIS 850 | D_NGERTANK 850 | DEPÉSITO ABONO 850 |
| 12 | G19002850 | PROTEZIONE PIGNONE | PINION GUARD | PROTECTION PIGNON | RITZELSCHUTZ | PROTECCIN PIGNON PR |
| 13 | G19002920 | CORPO DISTRIBUTORE SPANDI PLA. | PLA. F.SPREADER DISTRIB.CASING | CORPS DISTRIBUTEUR EPAND. | VERTEILUNGSKTRPRER STREUER PLA. | CUERPO DIST. ABONADORA PLÆS. |
| 14 | G20860012 | MANICOTTO DI UNIONE L.500 | JOINT SLEEVE L.500 | MANCHON DE RACCORD L. 500 | VERBINDUNGSMUFFE L.500 | MANGUITO DE UNIN L.500 M |
| 15 | G20860052 | REGOLATORE APERTURA | OPENING REGULATOR | REGULATEUR OUVERTURE | TFFNUNGSEINSTELLER | REGULADOR ABERTURA |
| 16 | G20860086 | INGRANAGGIO 1/2 Z-12 F.Q. | GEAR 1/2 Z-12 F.Q. | ENGRENAGE 1/2 Z-12 TROUS CARRE | ZAHNRAD 1/2 Z-12 F.Q. | ENGRANAJE 1/2 Z-12 F.Q. |
| 17 | G20860088 | INGRANAGGIO 1/2 Z-12 F.T. | GEAR 1/2 Z-12 F.T. | ENGRENAGE 1/2 Z-12 TROUS ROND | ZAHNRAD 1/2 Z-12 F.T. | ENGRANAJE 1/2 Z-12 F.T. |
| 18 | G20860090 | ASSE SX 5F.60 L.1460 | AXLE- LEFT 5-R.60 L.1460 | AXE GCH. 5 RANGEES 60 L. 1460 | ACHSE LI 5R.F.60 L.1460 | EJE IZQ. 5 FILA. 60 L.1460 |
| 19 | G20860093 | VITE DI REGOL. | ADJUSTMENT BOLT | VIS DE REGLAGE | EINSTELLSCHRAUBE. | TORNILLO DE REGULACIN S |
| 20 | G20860106 | DOSATORE SPANDI 8 PALE COMPL. | FERT.METERING DEVICE ASS.8 GRO | ROTOR DOSEUR 8C FERTI | DOSIERER DUNGER.KOMPL. 8 SEKT | DOSIFICADOR ABONO COMP.8 SECT |
| 21 | G20860126 | KIT INGR DISTR CONCIME (2+2) | KIT-MAN. DISTR. GEARS | COUPLE CON DISTR ENGRAIS (2+2) | KIT ZAHNRZDER DsNGERSTREUER | SET ENGRANAJES DISTRIB. ABONO |
| 22 | G19005040 | BOCCOLA ASSE SPANDI | FERT. SPREADER AXLE BUSH | DOUILLE AXE +PANDEUR | ACHSENBUCHSE STREUER | MANGUITO -RBOL ABONADORA |
| 23 | G22505085 | FERMO ASSE IN LAMIERA | PLATE AXLE STOP | ARRET AXE EN TOLE | FESTSTELLVORRICHTUNG BLECHACHS | BLOQUEO EJE DE CHAPA |
| 24 | G20970097 | RONDELLA 32X3X4,5 | WASHER 32X3X4-5 | RONDELLE 32X3X4-5 | UNTERLEGSCHIEBE 32X3X4-5 | ARANDELA 32X3X4-5 |
| 25 | G20970125 | RONDELLA 28X2,5X6,5 | WASHER 28X2,5X6-5 | RONDELLE 28X2-5X6-5 | UNTERLEGSCHIEBE 28X2-5X6-5 | ARANDELA 28X2-5X6-5 |
| 26 | G22220073 | RONDELLA 28X0,3X16,5 | WASHER 28X0-3X16-5 | RONDELLE 28X0-3X16-5 | UNTERLEGSCHIEBE 28X0-3X16-5 | ARANDELA 28X0-3X16-5 |
| 27 | G22230094 | SUPPORTO CUSCINETTO | BEARING SUPPORT | SUPPORT PALIER | LAGERBSCHSE | SOPORTE COJINETE |
| 28 | G22250287 | MANICOTTO DISTANZIALE SV | SPACER SLEEVE SV | MANCHON ENTRETOISE SV | ABSTANDSMUFFE SV | MANGUITO DISTANCIADOR SV |
| 29 | F01020043 | VITE M 6X 1X 60 U5737 8.8 ZN | BOLT 6 X60 5737 8.G GALVANIZED | VIS 6 X60 5737 8.G ZN | SCHRAUBE 6 X60 5737 8.G ZN | TORNILLO 6 X60 5737 8.G ZN |
| 30 | F01020068 | VITE M 8X1,25X40 U5737 8.8 ZN | | | | |
| 31 | F01020403 | VITE M 6X 1X 16 U5739 8.8 ZN | BOLT M6X16 | VIS M6X16 | SCHRAUBE M6X16 | TORNILLO M6X16 |
| 32 | F01020432 | VITE M 8X1,25X16 U5739 8.8 ZN | BOLT M8X16 | VIS M8X16 | SCHRAUBE M8X16 | TORNILLO M8X16 |
| 33 | F01020472 | VITE M10X 1,5X25 U5739 8.8 ZN | BOLT 10X25 5739 8.G GALVANIZED | VIS 10X25 5739 8.G ZN | SCHRAUBE 10X25 5739 8.G ZN | TORNILLO 10X25 5739 8.G ZN |
| 34 | F01070075 | VIT.A.4,2X1,41X 38 6954 4.8NI | BOLT 4-2X38 DIN 7981 | VIS 4-2X38 DIN 7981 | SCHRAUBE 4-2X38 DIN 7981 | TORNILLO 4-2X38 DIN 7981 |
| 35 | F01070011 | VIT.A.4,2X1,41X 9,5 6950 4.8NI | BOLT- SELF-TAPPING 4-2X9-5T.E. | VIS AUTOTAR. 4-2X9-5 T. E. COU | SELBSTSCHNEID. SCHRAUBE 4-2X9- | TORNILLO AUTORROSC. 4-2X9-5 |
| 36 | F01200232 | DADO M 6X 1 U5588 6.8 ZN | | | | |
| 37 | F01200244 | DADO M 8X1,25 U5588 6.8 ZN | NUT M8 | ECROU M8 | MUTTER M8 | DADO M8 |
| 38 | F01220033 | DADO M10X 1,5 D980 8 ZN | NUT M10X 1,5 D980 8 ZB | ECRO.M10X 1,5 D980 8 ZB | MUTT.M10X 1,5 D980 8 ZB | TUER.M10X 1,5 D980 8 ZB |
| 39 | F01410037 | ROS.M6 6,4X12,5X1,6 U6592 ZN | PLANE WASHER D.6 | RONDELLE D.6 | SCHEIBE D.6 | ARANDELA D.6 |
| 40 | F01410051 | ROS.M8 8,4X 17X1,6 U6592 ZN | PLANE WASHER D.8 | RONDELLE D.8 | SCHEIBE D.8 | ARANDELA D.8 |
| 41 | F02100079 | SPINA E.P. 5X 16 U6873 C70 BR | | | | |
| 42 | F02100089 | SPINA E.P. 5X 36 U6873 C70 BR | PIN EL. 5 X36 DIN 1481 | FICHE EL. 5 X36 DIN 1481 | SPANNSTIFT 5 X36 DIN 1481 | CLAVIJA EL.5 X36 DIN 1481 |
| 43 | F02100114 | SPINA E.P. 6X 30 U6873 C70 BR | ELASTIC PIN 6X30 | GOUJON ELASTIQUE 6X30 | SPANNHUELSE 6X30 | ESPINA ELASTICA 6X30 |
| 44 | F03011081 | GUARNIZIONI LABBRO DE100 | | | | |
| 45 | F06080196 | CATENA 1/2 ISO 083 32 MAGLIE | CUT-DOWN CHAIN .1/2 ISO 083 32 | TRONCON CHAINE 1/2 ISO 083 32 | KETTENZNGE 1/2 ISO 083 32 GL | TRECHO CADENA 1/2 ISO 083 32 |
| 46 | F03100500 | TUBO EOLO 35 PU | EOLO PIPE 35 PU | TUBE EOLO 35 PU | ROHR EOLO 35 PU | TUBO EOLO 35 PU |
| 47 | G65336025 | MOLLA SPEC.ZN STRINGIT.ASP.SP | SPEC SPRING ZN FAN . PIPE CLAM | RESSORT SPEC. ZN SERRE-TUBE AS | SPEZIALFEDER ZN RORHSCHELLE AB | MUELLE ESPEC. ZN APRIETA TUBOS |
| 48 | G65336055 | MOLLA SPEC.REGOL.SPAND. SP | SPEC SPRING MAN. SPR. ADJUSTM. | RESSORT SPEC. REGL. EP. ENTRA | SPEZIALFEDER STREUERINSTELLUN | MUELLE ESPEC. REGUL. ABONADORA |
| 49 | G65336062 | MOLLA SPEC.SCIV.DISTR.SPAND.SP | SPEC SPRING - MAN. SPR. DISTR. | RESS. SPEC. LANCOIR DISTR. EP. | SPEZ.FEDER RUTSCHE SZAPP. STRE | MUELLE ESPEC.PLANO INCL.DISTR. |
| 50 | G65336064 | MOLLA SPEC.COCLEA DX SPAND.HL | SPEC. WORM SCREW SPRING RIGHT | RESSORT SPEC. VIS DRT. EP. ENG | SPEZ.FEDER RE SCHNECKE STREUER | MUELLE ESPEC. TORN.S/F DER. AB |
| 51 | G65336065 | MOLLA SPEC.COCLEA SX SPAND.HL | SPEC. WORM SCREW SPRING LEFT M | RESSORT SPEC. VIS GCH. EP. ENG | SPEZ.FEDER LI SCHNECKE STREUER | MUELLE ESPEC. TORN.S/F IZQ. AB |
| 52 | G65338043 | MOLLA COMP.ZN SERB. M80 | ZN TANK COMP.SPRING M80 | RESSORT COMPL. ZN RESERVOIR M8 | DRUCKFEDER ZN BEHZLTER M80 | MUELLE COMP.ZN DEPS. M80 A |
| 53 | G66248121 | BOCCOLA CON FLANGIA M80 | BUSHING W/ FLANGE M80 | SUPPORT AVEC BRIDE M80 | BsCHSE MIT FLANSCH M80 | CASQUILLO CON BRIDA M80 |
| 54 | G66248125 | GHIERA REGOLAZIONE M80 | ADJUSTMENT KNURLED NUT M80 | BAGUE REGLAGE M80 | EINSTELLMUTTER M80 | CONTRATUERCA REGULACIN M80 G |
| 55 | G66248178 | SCIVOLO DISTR.SPAND. SP | CHUTE- MANURE-SPREADER DISTRIB | LANCOIR DISTRIBUTION EP. ENGR. | DsNGERSTREUER RUTSCHE SP | PLANO INCLINADO DISTR. ABON. S |

TAV. 240

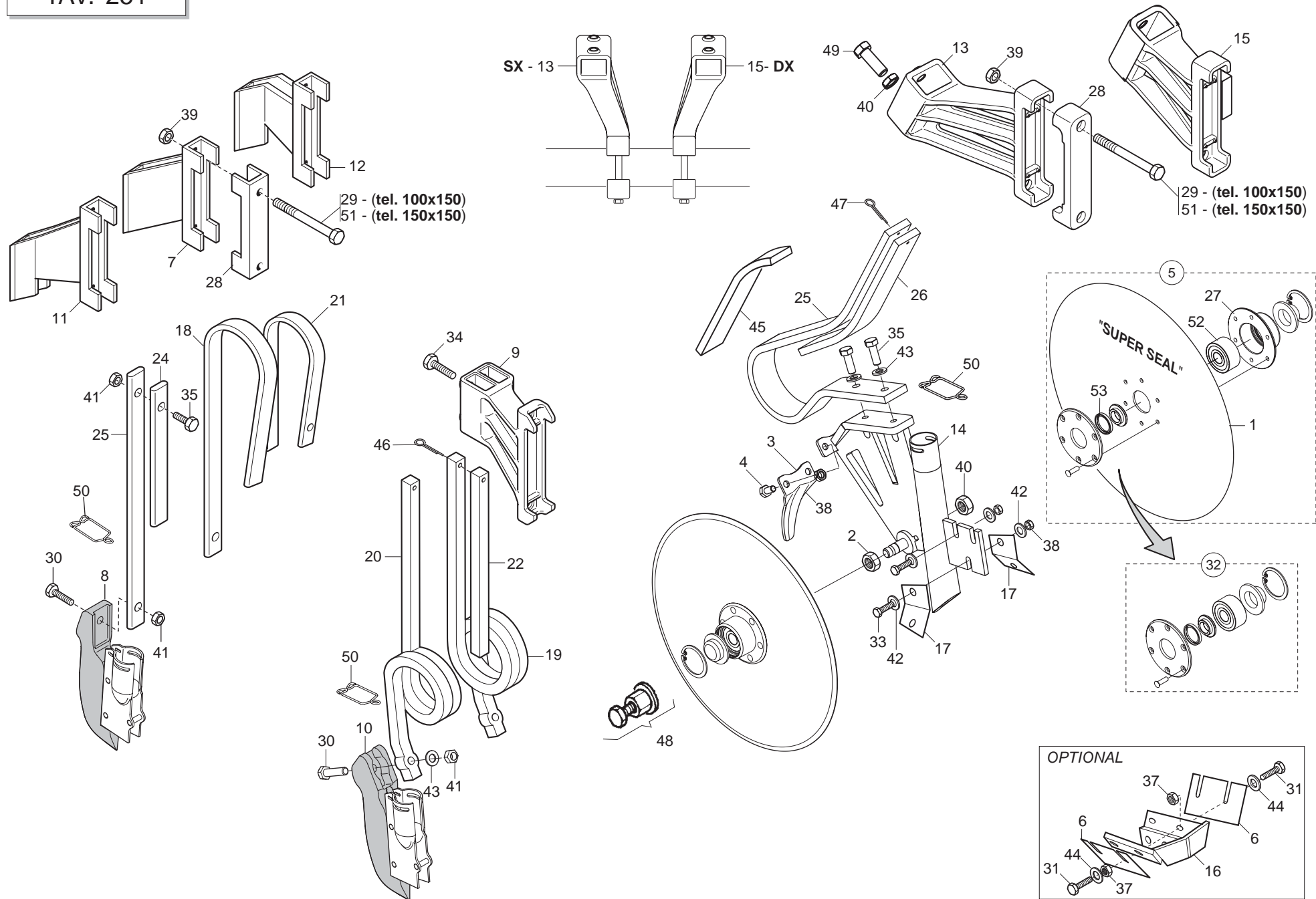


SERBATOI SPANDICONCIME PLASTICA

TAV. 240

| Pos. | Cod. | Descrizione | Description | Description | Benennung | Descripcion |
|------|-----------|--------------------------------|--------------------------------|--------------------------------|---------------------------------|--------------------------------|
| 56 | G66248207 | TENDICATENA SPAND. SP-520 | CHAIN TENSIONER | TENDEUR DE CHAINE EPAND. ENGR. | KETTENSPIANNER DsNGERSTR. SP-52 | SENSOR DE CADENA ABON. SP-520 |
| 57 | G66248218 | RONDELLA DISTAN.SPAND. | MAN. SPR. SPACER WASHER | RONDELLE ENTRETOISE EP. ENGRAI | ABSTANDSCHEIBE DsNGERSTREUER | ARANDELA DISTAN.ABONAD. |
| 58 | F03150757 | TAPPO FILETT.SERBAT.PLASTICA | PLASTIC TANK THREADED PLUG | BOUCHON FILETE RESERV.PLAST. | GEWINDEPFROPFEN PLASTIKBEH. | TAPN ROSCADO DEPS.PLæSTICO DO |
| 59 | G19700821 | TABELLA CONCIME SP540 | FERTILIZER CHART STICKER | DECALC. TABLEAU DE ENGRAIS | ABZIEHB. TABELLE D_NGER | CAL.TABLA ABONO |
| 60 | G18701500 | RONDELLA 29,5 X38 X0,3 | WASHER 29,5 X 38 X 0,3 | RONDELLE 29,5 X38 X0,3 | UNTERLEGSCHIEBE 29,5X38X0,3 | ARANDELA 29,5 X38 X0,3 |
| 61 | G15472790 | SERBATOIO 850 PLA.2U DX | PLAS.FERT.TANK 850 2 OUT. RH | RESERV 850 PLA 2S COMPL DRT | BEHZLTER 850 PLAST. RE 2 AUSG. | DEPSITO 850 PLA.2 SAL. DER. B |
| 62 | G15271540 | ASSE AGITATORE DX 1100 | STIRRER SPINDLE-RIGHT 1100 TAN | AXE AGITATEUR DRT.RESERV.1100 | SAMENMISCHERACHSE RE BEH.1100 | EJE AGITAD.DER.DEPS.1100 COM A |
| 63 | G15271550 | ASSE AGITATORE SX 1100 | STIRRER SPINDLE- LEFT 1100 | AXE AGITATEUR GCH. 1100 | SAMENMISCHERACHSE LINKER 1100 | EJE AGITAD. IZQ. 1100 |
| 64 | G15471920 | COPERCHIO SERBATOIO L.1100 | TANK COVER L.1100 | COUVERCLE RESERVOIR L.1100 | BEHZLTERDECKEL L.1100 | TAPA DEPS.L.1100 A |
| 65 | G15473130 | GRIGLIA SERBATOIO 1100 PLAST. | PLASTIC TANK GRID 1100 | GRILLE RESERVOIR PLAST.1100 | BEHZLTERGITTER PLAST.1100 | REJILLA DEPSITO PLAST.1100 G |
| 66 | G19003060 | SERBATOIO 1100 PLASTICA | PLASTIC TANK 1100 | RESERVOIR 1100 PLASTIQUE | PLASTIKBEHZLTER 1100 | DEPSITO 1100 PLæSTICA B |
| 67 | G20910045 | MANICOTTO UNIONE L.1180 | JOINT SLEEVE L.1180 | MANCHON RACCORD L. 1180 | VERBINDUNGSMUFFE L.1180 | MANGUITO DE UNIN L.1180 M |
| 68 | G20910044 | MANICOTTO UNIONE L.1375 | JOINT SLEEVE L.1375 | MANCHON RACCORD L. 1375 | VERBINDUNGSMUFFE L.1375 | MANGUITO DE UNIN L.1375 M |
| 69 | G15472800 | SERBATOIO 850 PLA.2U SX | PLAS.FERT.TANK 850 2 OUT. L | RESERV 850 PLA 2S COMPL GCH | BEHZLTER 850 PLAST. LI 2 AUSG. | DEPSITO 850 PLA.2 SAL. IZQ. B |
| 70 | G15472810 | SERBATOIO 850 PLA.3U DX | PLAS.FERT.TANK 850 3 OUT. RH | RESERV 850 PLA 3S COMPL DRT | BEHZLTER 850 PLAST. RE 3 AUSG. | DEPSITO 850 PLA.3 SAL. DER. B |
| 71 | G15472820 | SERBATOIO 850 PLA.3U SX | PLAS.FERT.TANK 850 3 OUT. LH | RESERV 850 PLA 3S COMPL GCH | BEHZLTER 850 PLAST. LI 3 AUSG. | DEPSITO 850 PLA.3 SAL. IZQ. B |
| 72 | G15272680 | SERBATOIO 1100 3U.DX PLA.COMP. | TANK ASSY.1100 RIGHT 3U | RESERV 1100 PLA 3S COMPL DRT | KOMPL. BEHZLTER 1100 RE 3AUSG | DEPS. COMPL.1100 DER. 3 SAL. B |
| 73 | G15272720 | SERBATOIO 1100 3U.SX PLA.COMP. | TANK ASSY. 1100 LEFT 3U | RESERV 1100 PLA 3S COMPL GCH | KOMPL. BEHZLTER 1100 LI 3AUSG | DEPS. COMPL.1100 IZQ. 3 SAL. B |
| 74 | G15471430 | SERBATOIO 1500 3U DX | TANK ASSY.1500 LEFT 3U | RESERV 1500 FER 3S COMPL DRT | KOMPL. BEHZLTER 500 LI 3U | DEPS. COMPL.500 IZQ. 3 SAL. B |
| 75 | G15471440 | SERBATOIO 1500 3U SX | TANK ASSY.1500 LEFT 3U | RESERV 1500 FER 3S COMPL DRT | KOMPL. BEHZLTER 1500 LI 3U | DEPS. COMPL.1500 IZQ. 3 SAL. B |

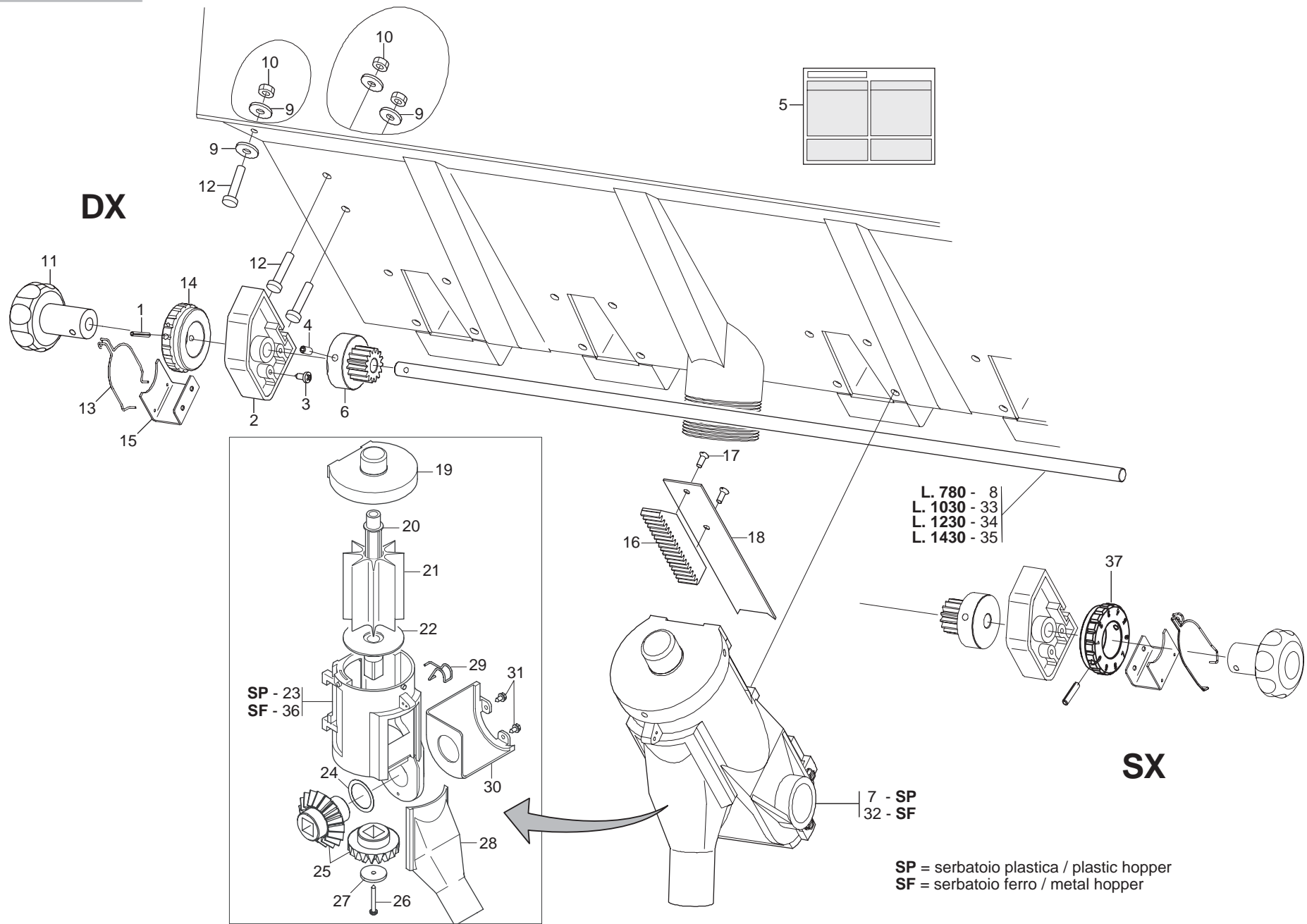
TAV. 251



ELEMENTI DI CONCIMAZIONE

TAV. 251

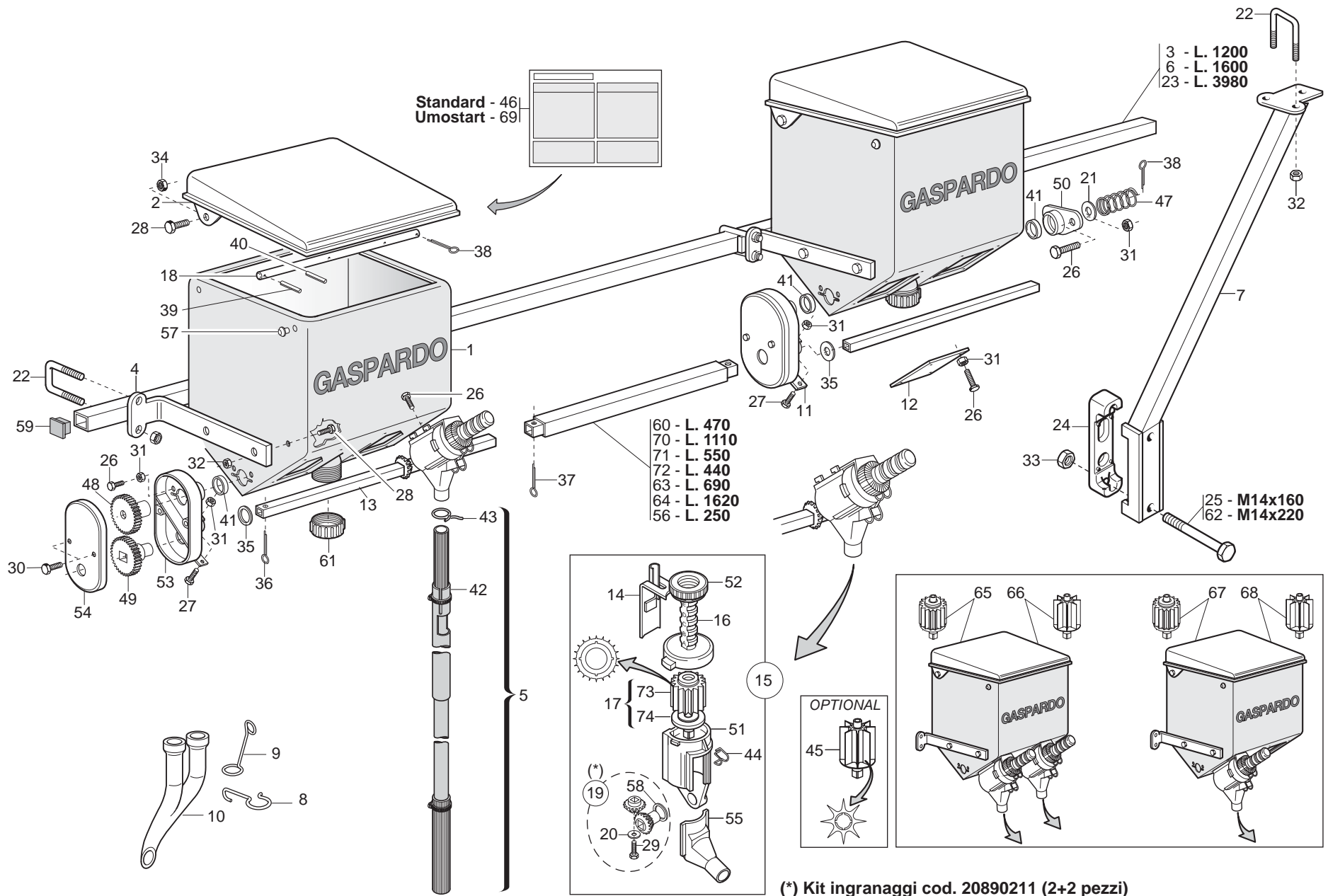
| Pos. | Cod. | Descrizione | Description | Description | Benennung | Descripcion |
|------|-----------|--------------------------------|--------------------------------|--------------------------------|--------------------------------|--------------------------------|
| 1 | G13825091 | DISCO ASSOLCATORE D.373 | FURROW OPENER DISK D.373 | DISQUE D. 373 6 T.D.6 | SCHEIBE SZSCHARENREISSER D.373 | DISCO SURCADOR D.373 |
| 2 | G15220540 | DADO M16X1,5 SX | NUT M16X1-5 LEFT | ECROU M16X1-5 GCH | MUTTER M16X1-5 LI | TUERCA M16X1-5 IZQ |
| 3 | G15225860 | PROTEZIONE DISCHI | DISC PROTECTION | PROTECTION DISQUE | DISCSCHUTZ | PROTECCIN DISCO |
| 4 | F01020470 | VITE M10X 1,5X20 U5739 8.8 ZN | BOLT M 10X20 | VIS M 10X20 | SCHRAUBE M 10X20 | TORNILLO M 10X20 |
| 5 | G15225500 | DISCO ASSOLC.PROTETTO COMPL. | COMPL. PROTECTED DISC COULTER | DISQUE DU SOC PROT+G+ COMPLET | GESCH_TZTE FURCHENFORMSCHEIBE | DISCO SURC.PROTEGIDO COMPL. |
| 6 | G15422231 | RASCHIATERRA DISCO | | | | |
| 7 | G15470232 | SUPPORTO MOLLA PIATTA 150 | FLAT SPRING SUPPORT 150 | SUPPORT RESSORT PLAT 150 | HALTERUNG FLACHFEDER 150 | SOPORTE MUELLE PLANO 150 |
| 8 | G16670610 | FALCIONE ELEM.CONCIMAZ.PIATTA | FLAT FERTILIZATION COULTER ELE | SOC +LEM. FERTILIS. RESSORT PL | S-SCHAR ELEM.D_NGUNG FLACHFEDE | BOTA ELEM.ABONAD. MUELLE PLANO |
| 9 | G19203920 | SUPP.MOLLA QUADRA DOPPIA POS. | | | | |
| 10 | G16670600 | FALCIONE ELEM.CONCIMAZ.QUADRA | BASIC SQUARE FERTILIZATION COU | SOC +LEM. FERTILIS. RESSORT CA | S-SCHAR ELEM.D_NGUNG QUADR.FED | BOTA ELEM.ABONAD.MUELLE CUADRA |
| 11 | G15471661 | SUPPORTO MOLLA PIATTA DX 150 | FLAT SPRING SUPPORT R.T 150 | SUPPORT RESSORT PLAT DROIT 150 | HALTERUNG FLACHFEDER RE 150 | SOPORTE MUELLE PLANO DCHO 150 |
| 12 | G15471671 | SUPPORTO MOLLA PIATTA SX 150 | FLAT SPRING SUPPORT L.T 150 | SUPPORT RESSORT PLAT GAUCHE 15 | HALTERUNG FLACHFEDER LI 150 | SOPORTE MUELLE PLANO IZQDO 150 |
| 13 | G19204110 | | | | | |
| 14 | G16670271 | SUPPORTO DISCHI CONCIMAZ. | | | | |
| 15 | G19204100 | SUPP.DX MOLLA DISCHI | | | | |
| 16 | G15472290 | SUPPORTO RASCHIAT.DISCHI CONC. | MANURE DISKS SOIL SCRAPER SUPP | SUPP. RACLEUR DISQUES FUMAGE | HALTER. ERDSCHABER DsNGUNGSSCH | SOPORTE RASCADOR DISCOS ABONO |
| 17 | G15472301 | RASCHIATERRA INTERNO | | | | |
| 18 | G18901092 | GAMBO CONCIMAZ.MOLLA PIATTA SP | FLAT SPRING MANURING LEG SP | TIGE FUMAGE RESSORT PLAT SP | SCHAFT DsNGUNG FLACHE FEDER SP | VæSTAGO ABONO MUELLE CHATO SP |
| 19 | G18902770 | MOLLA CONCIMAZIONE 20X20 DX | RIGHT MANURING SPRING 20X20 | RESSORT FUMAGE 20X20 DRT | FEDER DsNGUNG 20X20 RE | MUELLE ABONO 20X20 DER |
| 20 | G18902780 | MOLLA CONCIMAZIONE 20X20 SX | LEFT MANURING SPRING 20X20 | RESSORT FUMAGE 20X20 GCH | FEDER DsNGUNG 20X20 LI | MUELLE ABONO 20X20 IZQ |
| 21 | G18902861 | RINF.MOLLA PIATTA CONCIM.SP | MANUR.PLATE SPRING REINFORCE.S | RENF. RESSORT PLAT FUMAGE SP | VERSTZRKUNG FLACHFEDER DsNGUNG | REFUERZO MUELLE ABONO SP |
| 22 | G18903200 | FERMO SPIRALE | SPIRAL STOP | ARRET SPIRALE | FESTSTELLVORRICHTUNG SPIRALE | BLOQUEO ESPIRAL |
| 23 | G18903210 | MOLLA CONCIM.FILE DISPARI | ODD NUMBER ROW MANUR.SPRING | RESS. FUMAGE RANGEES IMPAIRES | FEDER DsNGUNG UNGERADE REIHEN | MUELLE ABONO FILAS IMPARES |
| 24 | G18903220 | RINF.MOLLA CONCIM.FILE DISP. | ODD NUM. ROW MANUR.SPRING REIN | RENF. RESS. FUMAGE RANGEES IMP | VERST. FEDER DsNG. UNGERADE RE | REFUERZO MUELLE ABONO FILAS IM |
| 25 | G18903821 | MOLLA CONCIMAZIONE | | | | |
| 26 | G18903901 | RINFORZO MOLLA CONCIMAZIONE | | | | |
| 27 | G15223651 | SUPPORTO CUSCINETTO DISCO | DISK BEARING SUPPORT | SUPPORT PALIER DISQUE | SCHEIBENLAGERBsCHSE | SOPORTE COJINETE DISCO |
| 28 | G19204030 | SCONTRIO FISS.150 2F D15 | | | | |
| 29 | F01020225 | VITE M14X 2X160 U5737 8.8 BR | BOLT M 14 X160 5737 8.G | VIS M 14 X160 5737 8.G | SCHRAUBE M 14 X160 5737 8.G | TORNILLO M 14 X160 5737 8.G |
| 30 | F01020156 | VITE M12X1,75X50 U5737 8.8 ZN | BOLT12X50 5737 8.G GALVANIZED | VIS 12X50 5737 8.G ZN | SCHRAUBE 12X50 5737 8.G ZN | TORNILLO 12X50 5737 8.G ZN |
| 31 | F01020403 | VITE M 6X 1X 16 U5739 8.8 ZN | BOLT M6X16 | VIS M 6X16 | SCHRAUBE M 6X16 | TORNILLO M 6X16 |
| 32 | G15226600 | KIT X DISCO SUPER SEAL | | | | |
| 33 | F01020476 | VITE M10X 1,5X30 U5739 8.8 ZN | BOLT M 10X30 | VIS M 10X30 | SCHRAUBE M 10X30 | TORNILLO M 10X30 |
| 34 | F01020508 | VITE M12X1,75X25 U5739 8.8 ZN | BOLT M 12X25 | VIS M 12 X 25 | SCHRAUBE M 12 X 25 | TORNILLO M 12 X 25 |
| 35 | F01020512 | VITE M12X1,75X35 U5739 8.8 ZN | SCREW M 12X35 | VIS M 12X35 | SCHRAUBE M 12X35 | TORNILLO M 12X35 |
| 36 | F01020514 | VITE M12X1,75X40 U5739 8.8 ZN | BOLT M12X1,75X40 | VIS M12X1,75X40 | SCHRAUBE M12X1,75X40 | TORNILLO M12X1,75X40 |
| 37 | F01200232 | DADO M 6X 1 U5588 6.8 ZN | | | | |
| 38 | F01200270 | DADO M10X 1,5 U5588 6.8 ZN | NUT M10 | ECROU M10 | MUTTER M10 | DADO M10 |
| 39 | F01200306 | DADO M14X 2 U5588 6.8 ZN | NUT M14X2 | ECROU M14X2 | MUTTER M14X2 | DADO M14X2 |
| 40 | F01200442 | DADO M16X 1,5 U5589 6.8 ZN | NUT 16X1-5 UNI 5589 6.8 GALVAN | ECROU 16X1-5 UNI 5589 6.8 ZN | MUTTER 16X1-5 UNI 5589 6.8 ZN | TUERCA 16X1-5 UNI 5589 6.8 ZN |
| 41 | F01220048 | DADO M12X1,75 D980 8 ZN | SELF LOCKING NUT M12X1,75 980V | ECROU AUTOBL. M12X1,75 980-V | SIEHE 00553312 | DADO AUTOBL. M12X1,75 980-V |
| 42 | F01410064 | ROS.M10 10,5X 20X 2 U6592 ZN | WASHER 10,5X21 | RONDELLE 10,5X21 | SCHEIBE 10,5X21 | ARANDELA 10,5X21 |
| 43 | F01410076 | ROS.M12 13X 24X2,5 U6592 ZN | PLANE WASHER D12 UNI 6592 ZN | RONDELLE D12 UNI 6592 ZN | SCHEIBE D12 UNI 6592 ZN | ARANDELA D12 UNI 6592 ZN |
| 44 | F01420036 | ROS.M6 6,4X 18X 2 U6593 ZN | FLAT WASHER 6-6X 18X2 6593 ZN | ROND. PLATE 6-6X 18X2 6593 ZN | SCHEIBE 6-6X 18X2 6593 ZN | ARAND. PLANA 6-6X 18X2 6593 ZN |
| 45 | G16670630 | SPESSORE MOLLA DISCHI CONCIM. | SHIMS | CALE | ZWISCHENLEGSCHHEIBE | ESPACIADOR |
| 46 | F02200229 | COPIGLIA 5X 45 U1336 ZN | SPLIT PIN 5 X45 1336 GALVAN. | GOUPILLE 5 X45 1336 ZN | SPLINT 5 X45 1336 ZN | PASADOR 5 X45 1336 ZN |
| 47 | F02200228 | COPIGLIA 5X 35 U1336 ZN | SPLIT PIN 5 X35 1336 GALVAN. | GOUPILLE 5 X35 1336 ZN | SPLINT 5 X35 1336 ZN | PASADOR 5 X35 1336 ZN |
| 48 | G15225240 | ESTRATTORE DISCHI ELEMENTO MT | SEED PLATE EXTRACTOR ELEM. MT | EXTRACTEUR DISQUE ELEMENT MT | SCHEIBENAUSZIEHER ELEMENT MT | EXTRACTOR DISCOS ELEMENTO MT |
| 49 | F01020568 | VITE M16X 2X45 U5739 8.8 ZN | BOLT M 16X 2X45 U5739 8.8 ZG | VIS M 16X 2X45 U5739 8.8 ZG | SCHRAUBE M 16X 2X45 U5739 8.8 | TORNILLO M16X 2X45 U5739 8.8 |
| 50 | G18903911 | MOLLA FERMO TUBO D.35 | PIPE LOCK SPRING D.35 | RESSORT ARR-T TUBE D.35 | ROHRSPERRFEDER D.35 | MUELLE TOPE TUBO D. 35 |
| 51 | F01020236 | VITE M14X 2X220 U5737 8.8 BR | SCREW M14X2X220 U5737 8.8 BR | VIS M14X2X220 U5737 8.8 BR | SCHRAUBE M14X2X220 U5737 8.8 | TORNILLO M14X2X220 U5737 8.8 |
| 52 | F04010084 | CUSC.D17D47 B22,2 3303 LLU/DDU | BEARING 3303 2RS | PALIER 3303 2RS | LAGER 3303 2RS | COJINETE 3303 2RS |
| 53 | F03011075 | AN. TENUTA B1OF 24X32X4 | SEALING RING G24X32X4 | BAGUE D'ETANCHEITE G24X32X4 | DICHTRING G24X32X4 | ANILLO AISLADOR G24X32X4 |



SPEEDY SET

TAV. 260

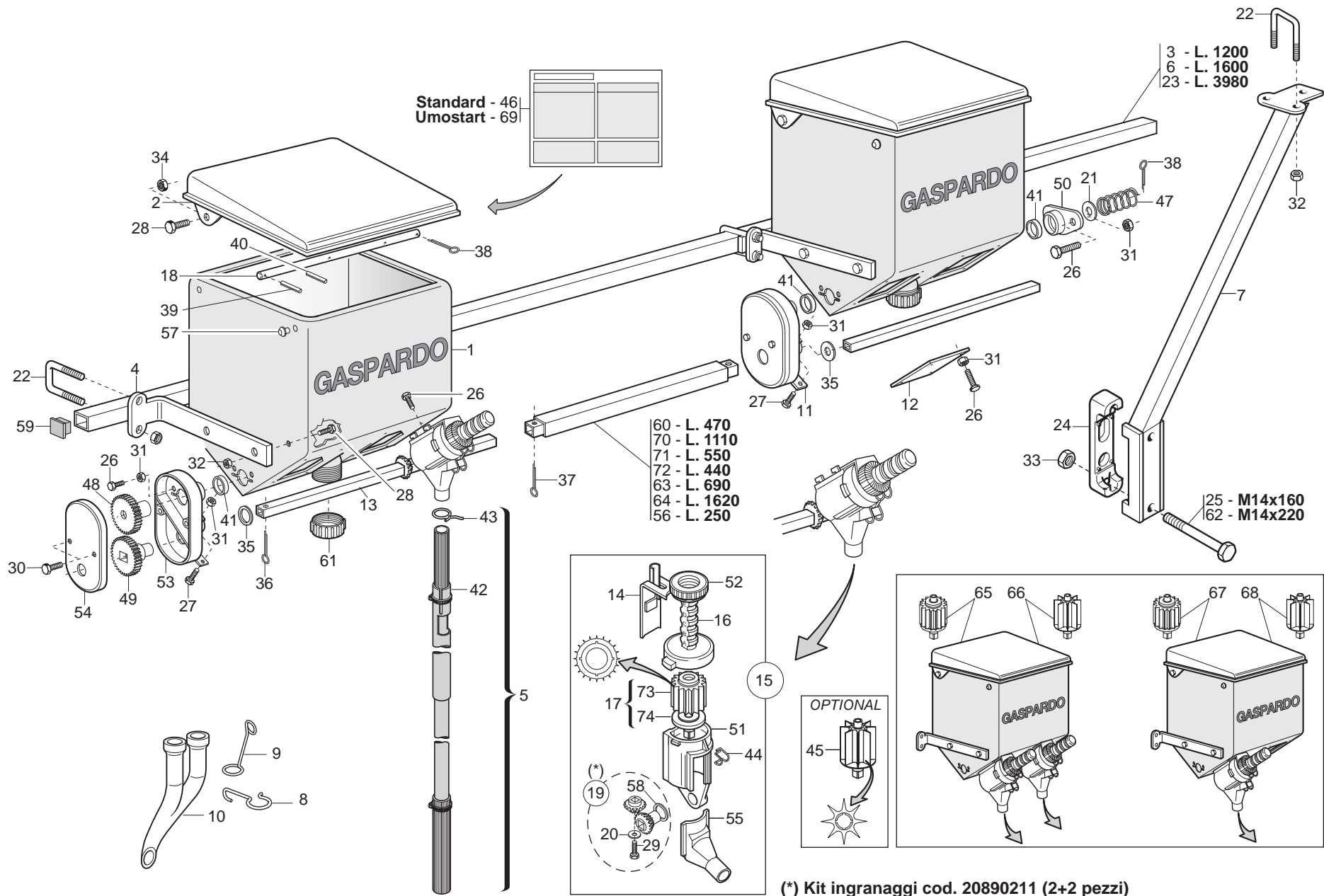
| Pos. | Cod. | Descrizione | Description | Description | Benennung | Descripcion |
|------|-----------|--------------------------------|--------------------------------|--------------------------------|--------------------------------|--------------------------------|
| 1 | F02100066 | SPINA E.P. 4X 36 U6873 C70 BR | | | | |
| 2 | G19003660 | SUPPORTO | SUPPORT | SUPPORT | HALTERUNG | SOPORTE |
| 3 | F01070061 | VIT.A.3,9X1,34X 9,5 6954 4.8NI | | | | |
| 4 | F01050083 | VIT.M 5X 0,8X 12 U5927 A2 IX | | | | |
| 5 | G19702951 | DECAL.TAB.DISTRIB.SPEEDY-SET | SPEEDY-SET DISTRIB. CHART STI | DECALC.TABLEAU DISTRIB. SPE.-S | ABZIEHB. TAB.APPARAT SPEEDY-SE | CAL.TABLA DISTRIB. SPEEDY-SET |
| 6 | G19003680 | INGRANAGGIO Z.15 | GEAR Z 15 | ENGRENAGE Z 15 | ZAHNRAD Z 15 | ENGRANAJE Z 15 |
| 7 | G16670040 | DISTR.COMPL.8PALE SPEEDY SET P | COMPL.PLA.SPEEDY SET DISTR.8R | MINIMAX COMPL 8C PLA SPEEDYSET | KOMPL.DOSIER.SPEEDY SET PLA.8S | DISTR.COMP.SPEEDY SET PLA.8AL. |
| 8 | G16670320 | TONDO D.10X780 | D.10X780 ROUND | ROND D.10X780 | RUNDEISEN D.10X780 | BARRA REDONDA D. 10X780 |
| 9 | F01420038 | ROS.M6 6,4X 18X 2 U6593 IX | WASHER M6 6,4X18X2 U6593 IX | RONDELLE M6 6,4X18X2 U6593 IX | SCHIEBE M6 6,4X18X2 U6593 IX | ARANDELA M6 6,4X18X2 U6593 IX |
| 10 | F01200233 | DADO M 6X 1 U5588 A2 IX | NUT M 6X 1 U5588 IX | ECROU M 6X 1 U5588 I | MUTTER M 6X 1 U5588 | TUERCA M 6X 1 U5588 |
| 11 | G19003670 | MANOPOLA SPEEDY SET | SPEEDY HANDLE SET | POIGN+E SPEEDY SET | GRIFF SPEEDY SET | EMPUJADURA SPEEDY SET |
| 12 | F01020419 | VITE M 6X1 X 16 U5739 A2 IX | BOLT M6 X1 X 16 U5739 8.8 IX | VIS M6 X1 X 16 U5739 8.8 IX | SCHRAUBE M6 X1 X 16 U5739 8. | TORNIL. M6 X1 X 16 U5739 8.8 |
| 13 | G65336055 | MOLLA SPEC.REGOL.SPAND. SP | SPEC SPRING MAN. SPR. ADJUSTM. | RESSORT SPEC. REGL. EP. ENTRA | SPEZIALFEDER STREUERINSTELLUN | MUELLE ESPEC. REGUL. ABONADORA |
| 14 | G19003720 | GHIERA REGOLAZIONE SX | LEFT ADJUSTMENT KNURLED NUT | MANCHON DE REGLAGE GCH | EINSTELLMUTTER LINKS | ROSCA REGULACION IZQUIERDA |
| 15 | G16670140 | SUPPORTO MOLLA REGOLATORE | REGULATOR SPRING SUPPORT | SUPPORT RESSORT R+GULATEUR | HALTERUNG EINSTELLFEDER | SOPORTE MUELLE REGULADOR |
| 16 | G19003690 | CREMAGLIERA | RACK | CR+MAILL+RE | ZAHNSTANGE | CREMALLERA |
| 17 | F01080032 | VITE M 4X 0,7X10 U7688 A2 IX | SCREW M4X 0,7X10 U7688 A2 IX | VIS M4X 0,7X10 U7688 A2 IX | SCHRAUBE M4X 0,7X10 7688 A2 IX | TORNILLO M4X0.7X10 U7688 A2 IX |
| 18 | G16670100 | REGOLATORE APERTURA | OPENING REGULATOR | REGULATEUR OUVERTURE | TFFNUNGSEINSTELLER | REGULADOR ABERTURA |
| 19 | G19003700 | COPERCHIO SPEEDY SET | COVER SPEEDY SET | COUVERCLE SPEEDY SET | DECKEL SPEEDY SET | TAPA SPEEDY SET |
| 20 | G66248173 | ASSE DISTR.SPAND. SP | MANURE SPREADER DISTR. SPINDLE | AXE DISTRIBUTEUR EP.ENGRAIS SP | ACHSE SZAPPARAT STREUER SP | EJE DISTR. ABON. SP |
| 21 | G66248172 | DOSATORE DISTR.SPAND. SP | MAN.SPR. SEED METERING DEVICE | DOSEUR DISTRIBUTEUR EP. ENGRAI | DOSIERER DsNGERSTREUER. SP | DOSIFICADOR DISTR.ABON. SP |
| 22 | G66248211 | PERNO RONDELLA FUSA SPAND. SP | MAN. SPR. CAST WASHER PIN. SP | PIVOT RONDELLE MOULEE EP. ENGR | ZAPFEN LOSE UNTERLEGSCHIEBE ST | PERNO ARANDELA FUNDIDA ABONAD |
| 23 | G19002920 | CORPO DISTRIBUTORE SPANDI PLA. | PLA. F.SPREADER DISTRIB.CASING | CORPS DISTRIBUTEUR EPAND. | VERTEILUNGSKTRPER STREUER PLA. | CUERPO DIST. ABONADORA PLæS. |
| 24 | G18701500 | RONDELLA 29,5 X38 X0,3 | WASHER 29,5 X 38 X 0,3 | RONDELLE 29,5 X38 X0,3 | UNTERLEGSCHIEBE 29,5X38X0,3 | ARANDELA 29,5 X38 X0,3 |
| 25 | G20860126 | KIT INGR DISTR CONCIME (2+2) | KIT- MAN. DISTR. GEARS | COUPLE CON DISTR ENGRAIS (2+2) | KIT ZAHNRZDER DsNGERSTREUER | SET ENGRANAJES DISTRIB. ABONO |
| 26 | F01070075 | VIT.A.4,2X1,41X 38 6954 4.8NI | BOLT 4-2X38 DIN 7981 | VIS 4-2X38 DIN 7981 | SCHRAUBE 4-2X38 DIN 7981 | TORNILLO 4-2X38 DIN 7981 |
| 27 | G20970097 | RONDELLA 32X3X4,5 | WASHER 32X3X4-5 | RONDELLE 32X3X4-5 | UNTERLEGSCHIEBE 32X3X4-5 | ARANDELA 32X3X4-5 |
| 28 | G66248178 | SCIVOLO DISTR.SPAND. SP | CHUTE- MANURE-SPREADER DISTRIB | LANCOIR DISTRIBUTION EP. ENGR. | DsNGERSTREUER RUTSCHE SP | PLANO INCLINADO DISTR. ABON. S |
| 29 | G65336062 | MOLLA SPEC.SCIV.DISTR.SPAND.SP | SPEC SPRING - MAN. SPR. DISTR. | RESS. SPEC. LANCOIR DISTR. EP. | SPEZ.FEDER RUTSCHE SZAPP. STRE | MUELLE ESPEC.PLANO INCL.DISTR. |
| 30 | G19002850 | PROTEZIONE PIGNONE | PINION GUARD | PROTECTION PIGNON | RITZELSCHUTZ | PROTECCIN PIGN PR |
| 31 | F01070011 | VIT.A.4,2X1,41X 9,5 6950 4.8NI | BOLT- SELF-TAPPING 4-2X9-5T.E. | VIS AUTOTAR. 4-2X9-5 T. E. COU | SELBSTSCHNEID. SCHRAUBE 4-2X9- | TORNILLO AUTORROSC. 4-2X9-5 |
| 32 | G13722330 | DISTR.COMPL.8PALE SPEEDY SET F | COMPL.SPEEDY 8-BLADE DISTR. SE | DISTR.COMPL.8PALETTES SPEEDY S | SAATGUTAU.S.SCH.KOMPL.SPEEDY S | DISTR.COMPL.8PALETAS SPEEDY SE |
| 33 | G16670330 | TONDO D.10X1030 | D.10X1030 ROUND | ROND D.10X1030 | RUNDEISEN D.10X1030 | BARRA REDONDA D. 10X1030 |
| 34 | G16670340 | TONDO D.10X1230 | D.10X1230 ROUND | ROND D.10X1230 | RUNDEISEN D.10X1230 | BARRA REDONDA D. 10X1230 |
| 35 | G16670350 | TONDO D.10X1430 | D.10X1430 ROUND | ROND D.10X1430 | RUNDEISEN D.10X1430 | BARRA REDONDA D. 10X1430 |
| 36 | G66248176 | CORPO DISTR.SPAND. SP | MANURE SPREADER DISTR. CASING | CORPS DISTRIB. EP. ENGRAIS SP | VERTEILUNGSKTRPER STREUER SP | CUERPO DISTR. ABON. SP |
| 37 | G19003710 | GHIERA REGOLAZIONE DX | RIGHT ADJUSTMENT KNURLED | BAGUE REGLAGE DROITE | EINSTELLMUTTER RE | CONTRATUERCA REGULACIN DER. |



MICROGRANULATORE

TAV. 271

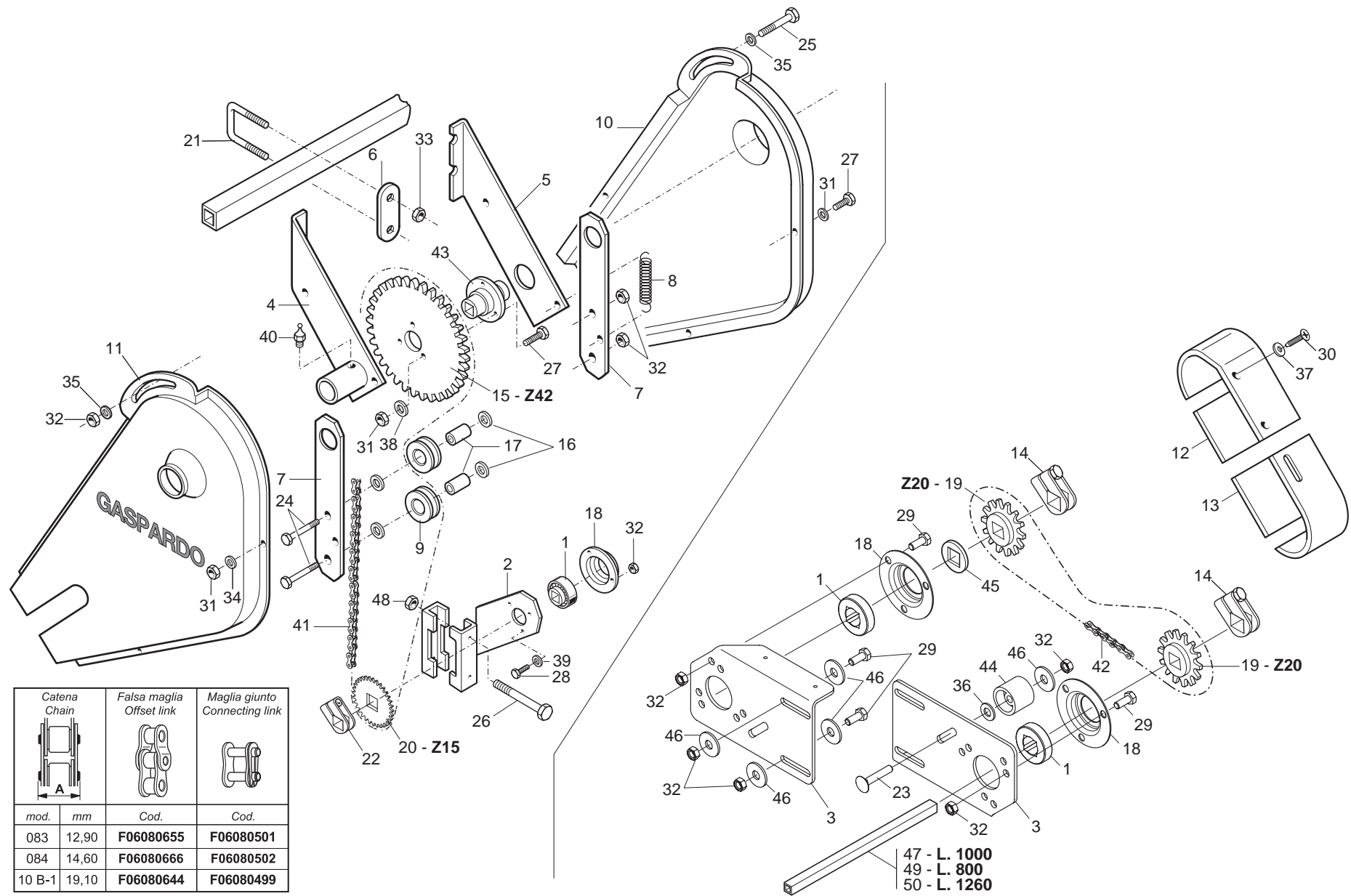
| Pos. | Cod. | Descrizione | Description | Description | Benennung | Descripcion |
|------|------------|--------------------------------|--------------------------------|--------------------------------|--------------------------------|--------------------------------|
| 1 | G19002932 | SERBATOIO MICRO 250 PLA. | PLASTIC TANK MICRO 250 | RESERVOIR MICRO 250 PLASTIQUE | MIKROGRANULATBEHZLTER PLAST. | DEPSITO MICRO 250 PLAST. |
| 2 | G15475231 | COPERCHIO MICRO 250 PLA. | PLASTIC COVER MICRO 250 | COUVERCLE MICRO 250 PLASTIQUE | MIKRO DECKEL 250 PLAST. | TAPA MICRO 250 PLAST. |
| 3 | G15472970 | TUBO Q. 35X 4X1200 | SQUARE PIPE 35 X4 X1200 | TUBE CARRE 35 X4 X1200 | VIERKANTROHR 35 X4 X1200 | TUBO CUADRADO 35 X4 X1200 |
| 4 | G15475271 | SUPPORTO MICRO | MICRO SUPPORT | SUPPORT MICROGRANULATEUR | HALTERUNG MICRO | SOPORTE MICRO |
| 5 | G15475331 | TUBO DISCESA MICRO SP | PIPE- MICRO DESCENT SP | TUBE DESCENTE MICRO SP | SENKROHR MIKRO SP | TUBO DESCENSO MICRO SP |
| 6 | G07000375 | TUBO Q. 35X 3X1600 | SQUARE PIPE 35X35X4X1600 | TUBE CARRE 35X35X4X1600 | VIERKANTROHR 35X35X4X1600 | TUBO CUADRADO 35X35X4X1600 |
| 7 | G15475411 | SUPP.BARRA MICRO M.S.SPAN. | M.S. FERTILISER SPREADER MICRO | SUPPORT BARRE MICRO M.S. EPAND | MIKRO SPINDELHALTERUNG M.S. Ds | SOPORTE BARRA MICRO M.S. ABONA |
| 8 | G18903180 | MOLLA CONVOGLIATORE MICRO | MICRO CONVEYOR SPRING | RESSORT CONVOYEUR MICRO | FEDER MIKRO FTRDERER | MUELLE CONDUCTOR MICRO |
| 9 | G18903191 | MOLLA SPEC.ZN DISCESA MICRO | SPEC.SPRING ZN MICRO GUIDE | RESSORT SPEC. ZN GUIDE MICRO | SPEZIALFEDER ZN F_HR.MIKRO | MUELLE ESPEC. ZN GUA MICRO |
| 10 | G19002580 | RACCORDO FINALE CONCIMAZ.PNEUM | PNEUMAT. MAN. SPR. END UNION | RACCORD FINAL FUMAGE PNEUMAT. | ENDANSCHLUSS PNEUM. DsNGUNG | UNIN FINAL DE ABONAD. NEUMAT.R |
| 11 | G20890078 | PIASTRA DI COLLEGAMENTO | CONNECTION PLATE | PLAQUE DE RACCORD | VERBINDUNGSPLATTE | PLACA DE CONEXIN P |
| 12 | G20890079 | PIASTRA DI CHIUSURA | CLOSURE PLATE | PLAQUE DE FERMETURE | ABSCHLUSSPLATTE | PLACA DE CIERRE |
| 13 | G20890081 | ASSE DISTRIB.MICRO L.445 | MICRO DISTR. SPINDLE- L. 445 | AXE DISTRIBUTEUR MICRO L. 445 | MIKRO STREUERACHSE L 445 | EJE DISTRIB.MICRO L.445 |
| 14 | G20890089 | REGOLATORE DI APERTURA | OPENING REGULATOR | REGULATEUR D'OUVERTURE | TFFNUNGSEINSTELLER | REGULADOR DE ABERTURA |
| 15 | G20890135 | DISTRIB.NYLON COMPL.E SCIVOLO | DISTRIB. NYLON ASSY. AND CHUTE | MINIMAX COMPL.20C MICRO | SZAPPARAT NYLON KOMPL. UND RUT | DISTRIB.NYLON COMPL.Y PLANO IN |
| 16 | G20890151 | VITE-SCALA GRADUATA | GRADUATED SCALE BOLT | VIS-ECHELLE GRADUEE | SCHRAUBE - GRADSKALA | TORNILLO - ESCALA GRADUADA |
| 17 | G20890158 | DOSATORE MICRO COMPL. | ROTOR DIST. MICRO 20 GROOVES | ROTOR DOSEUR 20C MICRO | DOSIERER MIKRO KOMPL. 20 SEKT | DOSIFICADOR MICRO COMPL.20 SEC |
| 18 | G20890194 | ASSE AGITATORE SERB.MICRO 250 | STIRRER SPINDLE- MICRO TANK 25 | AXE AGITATEUR RESERVOIR MICRO | SAMENMISCHERACHSE BEH.MIKRO 25 | EJE AGITADOR DEPS. MICRO 250 A |
| 19 | G20890211 | KIT INGRANAGGI DISTRIB.MICRO | KIT- MICRO. DISTR. GEARS | COUPLE CON DISTR MICRO (2+2) | KIT ZAHNRZDER MIKROSTREUER | SET ENGRANAJES DISTRIB.MICRO |
| 20 | F01420011 | ROS.M4 4,3X 16X 1 U6593 ZN | FLAT WASHER 4-3X 16X1-5 6593 G | ROND.PLATE 4-3X 16X1-5 6593 ZN | SCHIEBE 4-3X 16X1-5 6593 ZN | ARAND. PLANA 4-3X 16X1-5 6593 |
| 21 | G22220073 | RONDELLA 28X0,3X16,5 | WASHER 28X0-3X16-5 | RONDELLE 28X0-3X16-5 | UNTERLEGSCHIEBE 28X0-3X16-5 | ARANDELA 28X0-3X16-5 |
| 22 | F20110706 | CAV.Q.M10X 1,5X 30 47X 60 ZN | DISK SUPPORT.ELEMENT U BOLT SV | CAVALIER SUPPORT DISQUE SV | VERBINDUNG SCHEIBENHALTERUNG S | PERNO EN U SOP. DISCO SV |
| 23 | G07000370 | TUBO Q. 35X 3X3980 | SQUARE PIPE 35X35X4X3980 | TUBE CARRE 35X35X4X3980 | VIERKANTROHR 35X35X4X3980 | TUBO CUADRADO 35X35X4X3980 |
| 24 | G19204030 | SCONTRO FISS.150 2F D15 | | | | |
| 25 | F01020225 | VITE M14X 2X160 U5737 8.8 BR | BOLT M 14 X160 5737 8.G | VIS M 14 X160 5737 8.G | SCHRAUBE M 14 X160 5737 8.G | TORNILLO M 14 X160 5737 8.G |
| 26 | F01020397 | VITE M 6X 1X 10 U5739 8.8 ZN | BOLT 6X10 5739 8.G GALVANIZED | VIS 6X10 5739 8.G ZN | SCHRAUBE 6X10 5739 8.G ZN | TORNILLO 6X10 5739 8.G ZN |
| 27 | F01020403 | VITE M 6X 1X 16 U5739 8.8 ZN | BOLT M6X16 | VIS M 6X16 | SCHRAUBE M 6X16 | TORNILLO M 6X16 |
| 28 | F01020472 | VITE M10X 1,5X25 U5739 8.8 ZN | BOLT 10X25 5739 8.G GALVANIZED | VIS 10X25 5739 8.G ZN | SCHRAUBE 10X25 5739 8.G ZN | TORNILLO 10X25 5739 8.G ZN |
| 29 | F01070061 | VIT.A.3,9X1,34X 9,5 6954 4.8NI | | | | |
| 30 | F01070121 | VIT.A.3,9X1,34X 9,5 6955 4.8NI | BOLT 3-9X 9-5 DIN 7982 | VIS 3-9X 9-5 DIN 7982 | SCHRAUBE 3-9X 9-5 DIN 7982 | TORNILLO 3-9X 9-5 DIN 7982 |
| 31 | F01200232 | DADO M 6X 1 U5588 6.8 ZN | | | | |
| 32 | F01200270 | DADO M10X 1,5 U5588 6.8 ZN | NUT M10 | ECROU M10 | MUTTER M10 | DADO M10 |
| 33 | F01200306 | DADO M14X 2 U5588 6.8 ZN | NUT M14X2 | ECROU M14X2 | MUTTER M14X2 | DADO M14X2 |
| 34 | F012220033 | DADO M10X 1,5 D980 8 ZN | NUT M10X 1,5 D980 8 ZB | ECRO.M10X 1,5 D980 8 ZB | MUTT.M10X 1,5 D980 8 ZB | TUER.M10X 1,5 D980 8 ZB |
| 35 | F01410088 | ROS.M14 15X 28X2,5 U6592 ZN | WAS.M14 15X 28X2,5 U6592 ZB | RON.M14 15X 28X2,5 U6592 ZB | SCH.M14 15X 28X2,5 U6592 ZB | ARA.M14 15X 28X2,5 U6592 ZB |
| 36 | F02200161 | COPIGLIA 3X 15 U1336 ZN | SPLIT PIN 3 X15 1336 GALVAN. | GOUPILLE 3 X15 1336 ZN | SPLINT 3 X15 1336 ZN | PASADOR 3 X15 1336 ZN |
| 37 | F02200162 | COPIGLIA 3X 20 U1336 ZN | SPLIT PIN 3 X20 1336 GALVAN. | GOUPILLE 3 X20 1336 ZN | SPLINT 3 X20 1336 ZN | PASADOR 3 X20 1336 ZN |
| 38 | F02200194 | COPIGLIA 4X 25 U1336 ZN | SPLIT PIN 4 X25 1336 GALVAN. | GOUPILLE 4 X25 1336 ZN | SPLINT 4 X25 1336 ZN | PASADOR 4 X25 1336 ZN |
| 39 | F02100083 | SPINA E.P. 5X 24 U6873 C70 BR | PIN EL. 5 X24 DIN 1481 | FICHE EL. 5 X24 DIN 1481 | SPANNSTIFT 5 X24 DIN 1481 | CLAVIJA EL.5 X24 DIN 1481 |
| 40 | F02100089 | SPINA E.P. 5X 36 U6873 C70 BR | PIN EL. 5 X36 DIN 1481 | FICHE EL. 5 X36 DIN 1481 | SPANNSTIFT 5 X36 DIN 1481 | CLAVIJA EL.5 X36 DIN 1481 |
| 41 | F03011081 | GUARNIZIONI LABBRO DE100 | | | | |
| 42 | F02300016 | FASCETTA STRING. 16/27 H.8 | | | | |
| 43 | G65336041 | MOLLA SPEC.ZN STRINGITUBO M80 | SPEC.SPRING ZN . PIPE CLAMP M8 | RESSORT SPEC. ZN SERRE-TUBE M8 | SPEZIALFEDER ZN ROHRSCHELLE M8 | MUELLE ESPEC. ZN APLASTA TUBOS |
| 44 | G65336046 | MOLLA SPEC.ZN SCIVOLO M80 | SPEC SPRING ZN CHUTE M80 | RESSORT SPEC. ZN LANCOIR M80 | SPEZIALFEDER ZN RUTSCHE M80 | MUELLE ESPEC. ZN PLANO INCLINA |
| 45 | G22250240 | DOSATORE COMPL. SV | MICRO DISTR.ROTOR 8 GROOVES | ROTOR DOSEUR 8C MICRO | DOSIERER KOMPL. SV | DOSIFICADOR COMPL. SV |
| 46 | G19700831 | DECAL.TABELLA MICRO SP540 | MICRO CHART STICKER SP540 | DECALC. TABLEAU MICRO SP540 | ABZIEHB. TABELLE MIKOR SP540 | CAL.TABLA MICRO SP540 |
| 47 | G65338043 | MOLLA COMP.ZN SERB. M80 | ZN TANK COMP.SPRING M80 | RESSORT COMPL. ZN RESERVOIR M8 | DRUCKFEDER ZN BEHZLTER M80 | MUELLE COMP.ZN DEPS. M80 A |
| 48 | G66248119 | RUOTA DENTATA Z-24 M80 | GEAR-WHEEL Z-24 M80 | ROUE DENTEE Z-24 M80 | ZAHNRAD Z-24 M80 | RUEDA DENTADA Z-24 M80 |
| 49 | G66248120 | RUOTA DENT.FORO QUAD.Z-24 M80 | GEAR-WHEEL- SQUARE HOLE- Z-24 | ROUE DENTEE TROU CARRE Z-24 M8 | RAD VERZAHNT VIERKANTLOCH.Z-24 | RUEDA DENT.ORIFICIO CUAD.Z-24 |
| 50 | G66248121 | BOCCOLA CON FLANGIA M80 | BUSHING W/ FLANGE M80 | SUPPORT AVEC BRIDE M80 | BsCHSE MIT FLANSCH M80 | CASQUILLO CON BRIDA M80 |
| 51 | G66248123 | CORPO DISTRIBUZIONE M80 | DISTRIBUTION CASING M80 | CORPS DISTRIBUTION M80 | VERTEILUNGSKTRPER | CUERPO DISTRIBUCION M80 C |
| 52 | G66248125 | GHIERA REGOLAZIONE M80 | ADJUSTMENT KNURLED NUT M80 | BAGUE REGLAGE M80 | EINSTELLMUTTER M80 | CONTRATUERCA REGULACIN M80 G |
| 53 | G66248126 | SUPP.TRASMISSIONE M80 | TRANSM.SUPPORT M80 | SUPPORT ENTRAINEMENT M80 | ANTRIEBSHALTERUNG M80 | SOPORTE TRANSMISIN M80 S |
| 54 | G66248138 | COPERCHIO SUPP.TRASM. M80 | TRANSMISSION SUPP. COVER M80 | COUVERCLE SUPPORT ENTRAINEM. | DECKEL ANTRIEBSHALTERUNGS M80 | TAPA SOP. TRANSM. M80 |
| 55 | G66248154 | SCIVOLO DISTR. M80 | CHUTE- DISTRIB. M80 | ENTONNOIR DOSEUR MINIMAX MICRO | SAAPPARAT RUTSCHE M80 | PLANO INCLINADO DISTR. M80 |



MICROGRANULATORE

TAV. 271

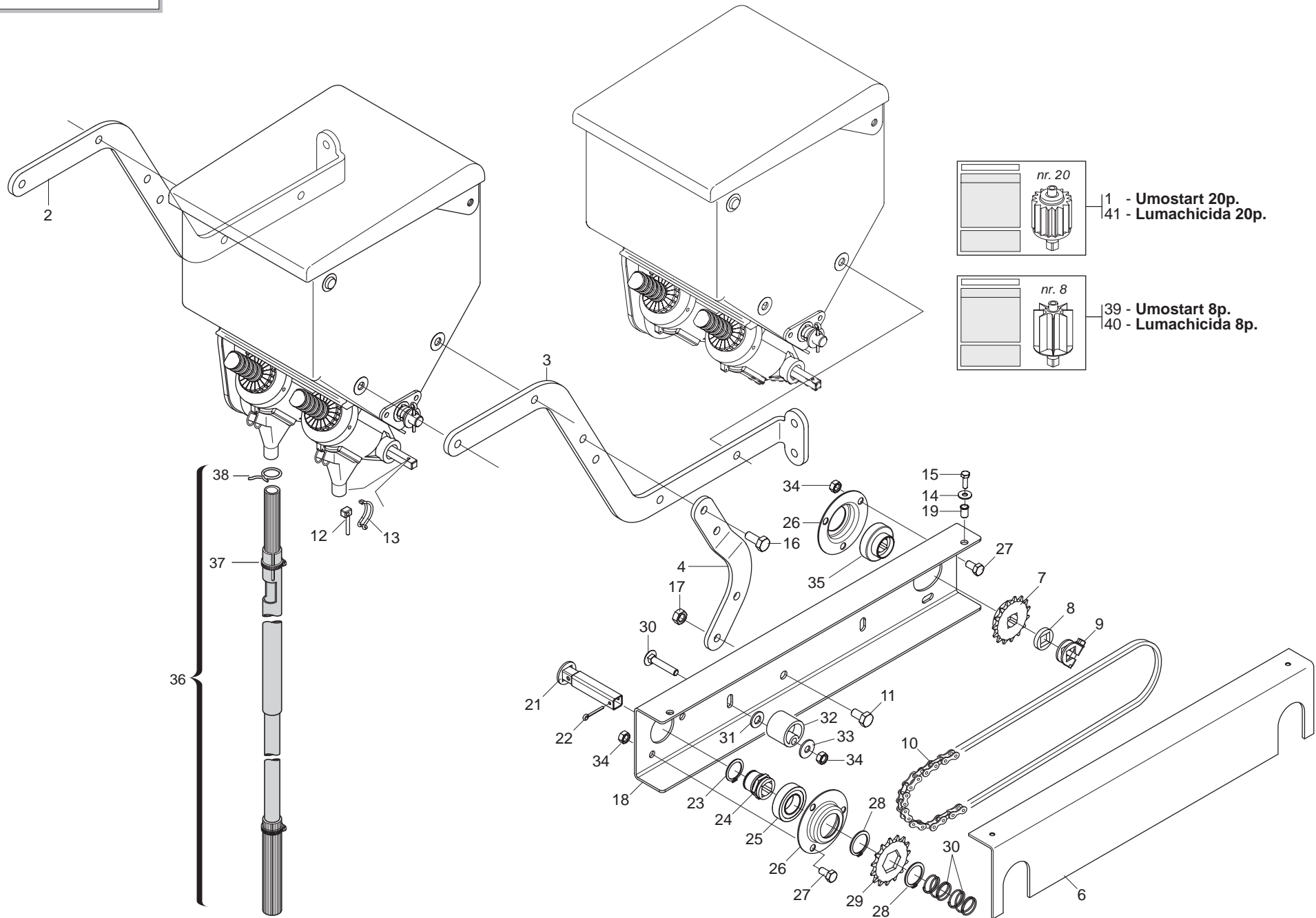
| Pos. | Cod. | Descrizione | Description | Description | Benennung | Descripcion |
|------|-----------|--------------------------------|--------------------------------|--------------------------------|--------------------------------|--------------------------------|
| 56 | G20890205 | MANICOTTO UNIONE MICRO L.250 | MICRO JOINT SLEEVE L.250 | MANCHON RACCORD MICRO L. 250 | VERBINDUNGSMUFFE MIKRO L.250 | MANGUITO DE UNIN MICRO L.250 M |
| 57 | G66248223 | TAPPO SUPP.SPAND.D.11 | PLUG MAN. SPR. SUPP. D.11 | BOUCHON SUPPORT EP. ENGRAIS D. | HALTERUNGSPFROPFEN DsNGERSTR. | TAPN SOPORTE ABON.D.11 D |
| 58 | G20970100 | RONDELLA 30X0,5X22 ACC. | WASHER 30X0-5X22 ACC. | RONDELLE 30X0-5X22 ACIER | UNTERLEGSCHIEBE 30X0-5X22 ACC. | ARANDELA 30X0-5X22 ACC. |
| 59 | F20120346 | PUNTALE Q 35 ALETT.POLIT.NERO | | | | |
| 60 | G20890111 | MANIC.UNIONE RINV.MICRO L.470 | MICRO TRANSM.JOINT SLEEVE L.47 | MANCHON RACCORD TRANSMISSION M | VERBINDUNGSMUFFE VORGELEGE MIK | MANGUITO EMPALME TRANSM. MICRO |
| 61 | G16675090 | TAPPO PLASTICA MICRO C/OR | | | | |
| 62 | F01020236 | VITE M14X 2X220 U5737 8.8 BR | SCREW M14X2X220 U5737 8.8 BR | VIS M14X2X220 U5737 8.8 BR | SCHRAUBE M14X2X220 U5737 8.8 | TORNILLO M14X2X220 U5737 8.8 |
| 63 | G20890202 | MANICOTTO UNIONE MICRO L.690 | MICRO JOINT SLEEVE L.690 | MANCHON RACCORD MICRO L. 690 | VERBINDUNGSMUFFE MIKRO L.690 | MANGUITO DE UNIN MICRO L.690 M |
| 64 | G20890203 | MANICOTTO UNIONE MICRO L.1620 | MICRO JOINT SLEEVE L.1620 | MANCHON RACCORD MICRO L. 1620 | VERBINDUNGSMUFFE MIKRO L.1620 | MANGUITO DE UNIN MICRO L.1620M |
| 65 | G15476270 | SERBATOIO MICRO 250 2 U.PLA | MICRO TANK 250 2 OUTPUTS | RESERVOIR MICRO 250 2 SORTIES | MIKROGRANULATBEHZLTER 250 2 AU | DEPSITO MICRO 250 2 SALIDAS B |
| 66 | G16675020 | SERB.MICRO 250 2U PLA 8P.COMPL | MICRO TANK 250 2 OUTPUTS 8P. C | RESERV. MICRO 250 2 SORT. 8P. | MIKROGRANULATBEH. 250 2AUSG. 8 | DEPSITO MICRO 250 2 SALIDAS 8P |
| 67 | G15476280 | SERBATOIO MICRO PLA 1U COMPL | COMPL. MICRO TANK PLA 1U | RESERVOIR MICRO PLA 1U COMPL. | BEH-LTER MIKROGRANULAT PLASTIK | DEPOSITO MICRO PLA 1U COMPL. |
| 68 | G16675030 | SERB.MICRO 250 1U PLA 8P.COMPL | MICRO TANK 250 1 OUTPUTS 8P. C | RESERV. MICRO 250 1 SORT. 8P. | MIKROGRANULATBEH. 250 1AUSG. 8 | DEPSITO MICRO 250 1 SALIDAS 8P |
| 69 | G19702460 | DECAL.TABELLA DISTRIB.UMOSTART | UMOSTART DISTRIBUTOR CHART STI | DECALC. TABLEAU DISTRIBUTEUR U | ABZIEHB. TABELLE SZAPPARAT UMO | CAL.TABLA DISTRIBUDOR UMOSTART |
| 70 | G20890112 | MANICOTTO UNIONE MICRO L.1110 | MICRO JOINT SLEEVE L.1110 | MANCHON RACCORD MICRO L. 1110 | VERBINDUNGSMUFFE MIKRO L.1110 | MANGUITO DE UNIN MICRO L.1110M |
| 71 | G20890130 | MANICOTTO UNIONE MICRO L.550 | MICRO JOINT SLEEVE | MANCHON RACCORD MICRO L. 550 | VERBINDUNGSMUFFE MIKRO L 550 | MANGUITO DE UNIN MICRO L.550 M |
| 72 | G20890201 | MANICOTTO UNIONE MICRO L.440 | MICRO JOINT SLEEVE L.440 | MANCHON RACCORD MICRO L. 440 | VERBINDUNGSMUFFE MIKRO L.440 | MANGUITO DE UNIN MICRO L.440 M |
| 73 | G66248189 | DOSATORE M80 | SEED METERING DEVICE M80 | DOSEUR M80 | DOSIERER M80 | DOSIFICADOR M80 |
| 74 | G19001802 | RONDELLA-ALBERO MICRO | | | | |



TRASMISSIONE SPANDICONCIME E MICROGRANULATORE

TAV. 280

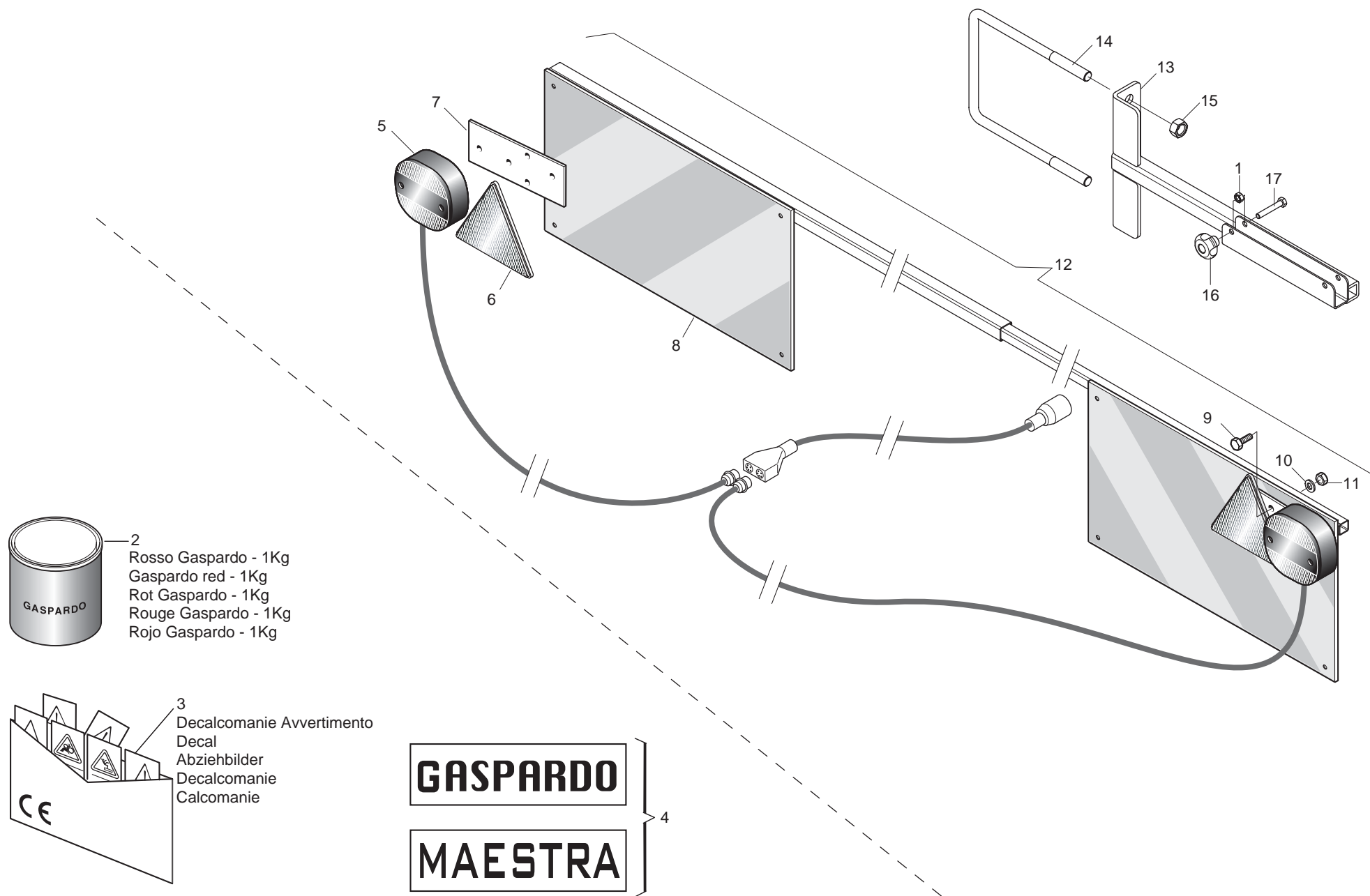
| Pos. | Cod. | Descrizione | Description | Description | Benennung | Descripcion |
|------|-----------|--------------------------------|--------------------------------|--------------------------------|--------------------------------|--------------------------------|
| 1 | G14830390 | CUSCINETTO FORO QUADRO | SQUARE-HOLED BEARING | ROULEMENT AL+SAGE CARR+ | VIERKANTLAGER | COJINETE ORIFICIO CUADRADO |
| 2 | G15470381 | SUPPORTO RINVIO TUBO 150 | TRANSM. SUPPORT FOR PIPE 150 | SUPPORT RENVOI POUR TUBE 150 | HALTERUNG VORGELEGE ROHR 150 | SOPORTE TRANSMISION TUBO 150 |
| 3 | G15470851 | FIANCO SUPP.TRASM.SPANDI | SPREADER TRANS. SIDE SUPPORT | COTE SUPPORT TRANS. EPAND. | SEITEN HALTER. ANTRIEB DUNGERS | COSTADO SOPORTE TRANS. ABONAD |
| 4 | G15475031 | SUPPORTO TRASMISSIONE SX | LEFT TRANSMISSION SUPPORT | SUPPORT ENTRAINEMENT GCH | HALTERUNG GETRIEBE LI | SOPORTE TRANSMISIN IZQ S |
| 5 | G15475041 | SUPPORTO TRASMISSIONE DX | RIGHT TRANSMISSION SUPPORT | SUPPORT ENTRAINEMENT DRT | HALTERUNG GETRIEBE RE | SOPORTE TRANSMISIN DER S |
| 6 | G15475260 | SCONTRIO SP | STRIKER PLATE SP | BUTEE SP | ANSCHLAG STREUER | ELEMENTO DE EMPALME SP |
| 7 | G15475310 | SUPPORTO RULLINI TENDIC. MICRO | MICRO CHAIN STRETCHER ROLLERS | SUPP. ROUETS TEND. CHAINE MICR | HALTERUNG KETTENSANNROLLEN | SOP. RODILLOS TENSOR CADENA MI |
| 8 | G18902960 | MOLLA TRAZ. TRASM.RUOTA ZN | TRANSMISSION TENSIONER SPRING | RESSORT TRACT. ENTRAIN. ROUE Z | ZUGFEDER RADANTRIEB ZN | MUELLE TRAC. TRANSM.RUEDA ZN |
| 9 | G19000091 | ROCCHETTO 2 META' | CHAIN TENSIONER | TENDEUR DE CHAINE 2 MOITIE | KLEINRAD SPANNER SA | CARRETE TENSOR SA |
| 10 | G19002810 | CARTER RINVIO MICRO DX | RIGHT MICRO TRANS. CASE | CARTER TRANS. MICRO DRT | VORGELEGEGEHUSE MIKRO RE | CæRTER TRANSMISIN MICRO DER C |
| 11 | G19002820 | CARTER RINVIO MICRO SX | LEFT MICRO TRANS. CASE | CARTER TRANS. MICRO GCH | VORGELEGEGEHUSE MIKRO LI | CæRTER TRANSMISIN MICRO IZQ C |
| 12 | G19002830 | CARTER TRASMISSIONE SUPERIORE | TOP TRANSMISSION CASE | CARTER ENTRAINEMENT SUPERIEUR | OBERS ANTRIEBSGEHUSE | CæRTER TRANSMISIN SUPERIOR C |
| 13 | G19002880 | CARTER INFERIORE TRASM.SPAND. | BOTTOM SPREADER TRANS. CASE | CARTER INFERIEUR TRANS EPAND. | UNTER. ANTRIEBSGEHUSE DsNG.GE | CæRTER INFER. TRANSMISIN ABONC |
| 14 | G22505085 | FERMO ASSE IN LAMIERA | PLATE AXLE STOP | ARRET AXE EN TOLE | FESTSTELLVORRICHTUNG BLECHACHS | BLOQUEO EJE DE CHAPA |
| 15 | G20890128 | CORONA Z-42 SP | RING GEAR Z-42 SP | COURONNE Z-42 SP | KRANZ Z-42 SP | CORONA Z-42 SP |
| 16 | G20970032 | RONDELLA 32X4X8,5 | WASHER 32X4X8-5 | RONDELLE 32X4X8-5 | UNTERLEGSSCHEIBE 32X4X8-5 | ARANDELA 32X4X8-5 |
| 17 | G20980086 | BOCCOLA DIST.D.8,5X16X31 | BUSHING SPAC.. D.8-5X16X31 | BOITE ENTRETOISE D. 8-5X16X31 | VERTEILERBsCHSE D.8-5X16X31 | CASQUILLO DIST. D.8-5X16X31 |
| 18 | G22230094 | SUPPORTO CUSCINETTO | BEARING SUPPORT | SUPPORT PALIER | LAGERBsCHSE | SOPORTE COJINETE |
| 19 | G22250007 | INGR.CON MOZZO 1/2 Z-20 SV | GEARS- W/ HUB 1/2 Z-20 SV | ENGRENAGE 1/2 Z-20 | ZAHNRAD MIT NABE 1/2 Z-20 SV | ENGRAN.CON PERNO 1/2 Z-20 SV |
| 20 | G22250028 | PIGNONE Z-15 SV | Z-15 PINION SV | PIGNON Z-15 SV | RITZEL Z-15 SV | PI¼N Z-15 SV P |
| 21 | F20110706 | CAV.Q.M10X 1,5X 30 47X 60 ZN | DISK SUPPORT.ELEMENT U BOLT SV | CAVALIER SUPPORT DISQUE SV | VERBINDUNG SCHEIBENHALTERUNG S | PERNO EN U SOP. DISCO SV |
| 22 | G22505085 | FERMO ASSE IN LAMIERA | PLATE AXLE STOP | ARRET AXE EN TOLE | FESTSTELLVORRICHTUNG BLECHACHS | BLOQUEO EJE DE CHAPA |
| 23 | F01060047 | BUL.M 8X1,25X 45 U5732 4.6 ZN | BOLT 8X45 5732 4.6 GALVANIZED | VIS 8X45 5732 4.6 ZN | SCHRAUBE 8X45 5732 4.6 ZN | TORNILLO 8X45 5732 4.6 ZN |
| 24 | F01020075 | VITE M8X1,25X 55 U5737 8.8 ZN | BOLT 8 X55 5737 8.8 GALVANIZED | VIS 8 X55 5737 8.8 ZN | SCHRAUBE 8 X55 5737 8.8 ZN | TORNILLO 8 X55 5737 8.8 ZN |
| 25 | F01020083 | VITE M 8X1,25X70 U5737 8.8 ZN | BOLT M 8X70 | VIS M 8X70 | SCHRAUBE M 8X70 | TORNILLO M 8X70 |
| 26 | F01020236 | VITE M14X 2X220 U5737 8.8 BR | SCREW M14X2X220 U5737 8.8 BR | VIS M14X2X220 U5737 8.8 BR | SCHRAUBE M14X2X220 U5737 8.8 | TORNILLO M14X2X220 U5737 8.8 |
| 27 | F01020403 | VITE M 6X 1X 16 U5739 8.8 ZN | BOLT M 6X16 | VIS M 6X16 | SCHRAUBE M 6X16 | TORNILLO M 6X16 |
| 28 | F01020432 | VITE M 8X1,25X16 U5739 8.8 ZN | BOLT M 8X16 | VIS M 8X16 | SCHRAUBE M 8X16 | TORNILLO M 8X16 |
| 29 | F01020436 | VITE M 8X1,25X 20 U5739 8.8 ZN | BOLT M 8X20 | VIS M 8X20 | SCHRAUBE M 8X20 | TORNILLO M 8X20 |
| 30 | F01070074 | VIT.A.4,2X1,41X 25 6954 4.8NI | BOLT 4-2X25 DIN 7981 | VIS 4-2X25 DIN 7981 | SCHRAUBE 4-2X25 DIN 7981 | TORNILLO 4-2X25 DIN 7981 |
| 31 | F01200232 | DADO M 6X 1 U5588 6.8 ZN | | | | |
| 32 | F01200244 | DADO M 8X1,25 U5588 6.8 ZN | NUT M8 | ECROU M8 | MUTTER M8 | DADO M8 |
| 33 | F01200270 | DADO M10X 1,5 U5588 6.8 ZN | NUT M10 | ECROU M10 | MUTTER M10 | DADO M10 |
| 34 | F01410037 | ROS.M6 6,4X12,5X1,6 U6592 ZN | PLANE WASHER D.6 | RONDELLE D.6 | SCHEIBE D.6 | ARANDELA D.6 |
| 35 | F01410051 | ROS.M8 8,4X 17X1,6 U6592 ZN | PLANE WASHER D.8 | RONDELLE D.8 | SCHEIBE D.8 | ARANDELA D.8 |
| 36 | F01410064 | ROS.M10 10,5X 20X 2 U6592 ZN | WASHER 10,5X21 | RONDELLE 10,5X21 | SCHEIBE 10,5X21 | ARANDELA 10,5X21 |
| 37 | F01420011 | ROS.M4 4,3X 16X 1 U6593 ZN | FLAT WASHER 4-3X 16X1-5 6593 G | ROND.PLATE 4-3X 16X1-5 6593 ZN | SCHEIBE 4-3X 16X1-5 6593 ZN | ARAND. PLANA 4-3X 16X1-5 6593 |
| 38 | F01430047 | ROS.M6 6,4X 11X0,7 U8842J ZN | WASHER D6 DIN 6798 D.INT.GALV. | RONDELLE D6 DIN 6798 D. INT. Z | UNT. SCHEIBE D6 DIN 6798 D. IN | ARANDELA D6 DIN 6798 D.INT.ZN |
| 39 | F01430059 | ROS.M8 8,4X 15X0,8 U8842J ZN | WASHER D8 DIN 6798 D.INT.ZN | RONDELLE D8 DIN 6798 D. INT. Z | UNT. SCHEIBE D8 DIN 6798 D. IN | ARANDELA D8 DIN 6798 D.INT.ZN |
| 40 | F01100011 | ING.M 6X1 7663-A 95MNPB28 ZN | SPHERE NIPPLE M6X1/A | GRAISSEUR A BILLES M6X1/A | KUGELFETTBSCHSE M6X1/A | ENGRAS. DE ESFERAS M6X1/A |
| 41 | F06080068 | CATENA 1/2 ISO 083 126 MAGLIE | CUT-DOWN CHAIN 1/2 ISO 083 126 | TRONCON CHAINE 1/2 ISO 083 126 | KETTENZNGE ISO 083 126 GLIED | TRECHO CADENA 1/2 ISO 083 126 |
| 42 | F06080029 | CATENA 1/2 ISO 083 61 MAGLIE | CHAIN 1/2 ISO 083 61 LINKS | CHAINE 1/2 ISO 083 61 MAILLES | KETTE 1/2 ISO 083 61 GLIEDER | CADENA 1/2 ISO 083 61 ESLABNEL |
| 43 | G66248152 | MOZZO TRASM.MICRO M80 | HUB - TRANS. MICRO M80 | MOYEU ENTRAINEMENT MICRO M80 | ANTRIEBSNABE MIKRO M80 | CUBO TRANS. MICRO M80 |
| 44 | G66248207 | TENDICATENA SPAND. SP-520 | CHAIN TENSIONER | TENDEUR DE CHAINE EPAND. ENGR. | KETTENSANNER DsNGERSTR. SP-52 | TENSOR DE CADENA ABON. SP-520 |
| 45 | G66248218 | RONDELLA DISTAN.SPAND. | MAN. SPR. SPACER WASHER | RONDELLE ENTRETOISE EP. ENGRAI | ABSTANDSCHEIBE DsNGERSTREUER | ARANDELA DISTAN.ABONAD. |
| 46 | F01420048 | ROS.M8 8,4X 24X 2 U6593 ZN | PLANE WASHER D.8 | RONDELLE D.8 | SCHEIBE D.8 | ARANDELA D.8 |
| 47 | G22230138 | ASSE CAMBIO 4F.80-6F.45 L.1000 | GEAR SPINDLE 4-ROW 80- 6-ROW.4 | AXE BOITE DE VITESSE 4 RA | GETRIEBEACHSE 4 R. 80-6 R.45 L | EJE CAMBIO 4 FILAS. 80-6 FILAS |
| 48 | F01200306 | DADO M14X 2 U5588 6.8 ZN | NUT M14X2 | ECROU M14X2 | MUTTER M14X2 | DADO M14X2 |
| 49 | G22230142 | ASSE 4 FILE L.800 | 4-ROW SPINDLE L.800 | AXE 4 RANGEES L. 800 | ACHSE 4 REIHEN B. 800 | EJE 4 FILAS L.800 |
| 50 | G22270049 | ASSE 4F.85-6F.50 L.1260 | 4-ROW SPINDLE - 85-6-ROW-50 L. | AXE 4 RANGEES 85-6 RANGEES 50 | ACHSE 4 REIHEN 85-6 REIH. 50 | EJE 4 FILAS. 85-6 FILAS. 50 L. |



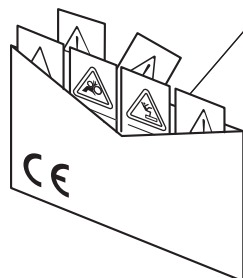
APPLICAZIONE DOPPIO MICROGRANULATORE

TAV. 290

| Pos. | Cod. | Descrizione | Description | Description | Benennung | Description |
|------|-----------|--------------------------------|--------------------------------|--------------------------------|--------------------------------|--------------------------------|
| 1 | G19704980 | DECAL.TAB.DISTRIB.UMOSTART 20P | UMOSTART DISTRIBUTOR CHART 20P | TABLEAU DISTRIBUTEUR UMOSTART | TABELLE SZAPPARAT UMOSTART 20P | TABLA DISTRIBUDOR UMOSTART 20P |
| 2 | G15274600 | SUPPORTO SX LUMACHICIDA | LEFT SUPPORT | SUPPORT GCH | HALTERUNG LI | SOPORTE IZQ |
| 3 | G15274610 | SUPPORTO DX LUMACHICIDA | RIGHT SUPPORT | SUPPORT DRT | HALTERUNG RE | SOPORTE DER |
| 4 | G15274621 | ATTACCO SUPPORTO CATENA | CHAIN SUPPORT COUPLING | FIXATION SUPPORT CHAINE | KUPPLUNG HALTERUNG | CONEXIN SOPORTE CADENA |
| 5 | G15273061 | TRASMISSIONE LUMACHICIDA COMPL | COMPL. TRANSMISSION | TRANSMISSION COMPL. | ANTRIEB KOMPL. | TRANSMISION COMPL |
| 6 | G15273051 | CARTER SUPPORTO CATENA | SUPPORT CHAIN CASING | CARTER SUPPORT CHAINE | KETTENHALTERUNGSGEHZUSE | CARTER SOPORTE CADENA |
| 7 | G22250028 | PIGNONE Z-15 SV | Z-15 PINION SV | PIGNON Z-15 SV | RITZEL Z-15 SV | PI $\frac{1}{2}$ N Z-15 SV P |
| 8 | G66248218 | RONDELLA DISTAN.SPAND. | MAN. SPR. SPACER WASHER | RONDELLE ENTRETOISE EP. ENGRAI | ABSTANDSCHEIBE DsNGERSTREUER | ARANDELA DISTAN.ABONAD. |
| 9 | G22505085 | FERMO ASSE IN LAMIERA | PLATE AXLE STOP | ARRET AXE EN TOLE | FESTSTELLVORRICHTUNG BLECHACHS | BLOQUEO EJE DE CHAPA |
| 10 | F06080047 | CATENA 1/2 ISO 083 88 MAGLIE | CUT-DOWN CHAIN 1/2 ISO 083 88 | TR. CH. © ISO 083 88 MAILLES | KETTENLNZGE 1/2 ISO 083 88 GL | CADENA 1/2 ISO 083 88 ESLABONE |
| 11 | F01020470 | VITE M10X 1,5X20 U5739 8.8 ZN | BOLT M10X20 | VIS M10X20 | SCHRAUBE M10X20 | TORNILLO M10X20 |
| 12 | F02200452 | SPINA SCATTO D.4,4 B/80 ZN | SNAP PIN D.4-4 B/80 | FICHE A DETENTE D. 4-4 B/80 | EINRASTSTIFT D 4-4 B/80 | CLAVIJA DE MUELLE D.4-4 B/80 |
| 13 | G65336084 | MOLLA SPEC.ZN AGITAT.DISTR.SV | SPEC SPRINGZN DISTR. STIRRER . | RESSORT SPEC. ZN AGITATEUR DIS | SPEZIALFEDER ZN SAMENMISCHER S | MUELLE ESPEC. ZN AGITAD. DISTR |
| 14 | F01410037 | ROS.M6 6,4X12,5X1,6 U6592 ZN | PLANE WASHER D.6 | RONDELLE D.6 | SCHEIBE D.6 | ARANDELA D.6 |
| 15 | F01020403 | VITE M 6X 1X 16 U5739 8.8 ZN | BOLT M6X16 | VIS M6X16 | SCHRAUBE M6X16 | TORNILLO M6X16 |
| 16 | F01020472 | VITE M10X 1,5X25 U5739 8.8 ZN | BOLT 10X25 5739 8.G GALVANIZED | VIS 10X25 5739 8.G ZN | SCHRAUBE 10X25 5739 8.G ZN | TORNILLO 10X25 5739 8.G ZN |
| 17 | F01200270 | DADO M10X 1,5 U5588 6.8 ZN | NUT M10 | ECROU M10 | MUTTER M10 | DADO M10 |
| 18 | G15273041 | SUPPORTO CATENA | CHAIN SUPPORT | SUPPORT CHAINE | KETTE HALTERUNG | SOPORTE CADENA |
| 19 | F02250680 | INSERTO FIL.M 6X13 ZN T.RIDOTT | THREADED INSERT M6X13 ZN | PIECE INTERC.FILETEE M 6X13ZN | GEWINDEEINSATZ M 6 X 13 ZN | ENCASTRE ROSCADO M 6 X13 ZN |
| 20 | F01060047 | BUL.M 8X1,25X 45 U5732 4.6 ZN | BOLT 8X45 5732 4.6 GALVANIZED | VIS 8X45 5732 4.6 ZN | SCHRAUBE 8X45 5732 4.6 ZN | TORNILLO 8X45 5732 4.6 ZN |
| 21 | G15274640 | MANICOTTO DISGIUNTORE | UNCOUPLING SLEEVE | MANCHON DEBRAYAGE | MUFFE AUSKUPPLUNG | MANGUITO DESCONEXIÉN |
| 22 | F02200163 | COPIGLIA 3X 25 U1336 ZN | | | | |
| 23 | F02050101 | ANELLO E. DE 25X 1,2 U7435 C70 | SEEGER RING E. 25X1,2 7435 C70 | SEEGER E. 25X 1,2 U7435 C70 | SEEGERING E. 25X 1,2 U7435 C70 | ANILLO E. 25X 1,2 U7435 C70 |
| 24 | G22250441 | MOZZO CORONA SEMINATORE SV/2 | PLANTING UNIT CROWN HUB SV/2 | MOYEU COURONNE SEMEUR SV/2 | KRANZNABE SZELEMENT SV/2 | CUBO CORONA SEMBRADOR SV/2 |
| 25 | F04010134 | CUSC.D25 D47 B12 6005 2Z | BEARING 6005 2Z | PALIER 6005 2Z | LAGER 6005 2Z | COJINETE 6005 2Z |
| 26 | G22230094 | SUPPORTO CUSCINETTO | BEARING SUPPORT | SUPPORT PALIER | LAGERBsCHSE | SOPORTE COJINETE |
| 27 | F01020432 | VITE M 8X1,25X16 U5739 8.8 ZN | BOLT M8X16 | VIS M8X16 | SCHRAUBE M8X16 | TORNILLO M8X16 |
| 28 | F02050615 | ANELLO E. DE 28X 1,5 U7435 C70 | STOP RING 28 UNI 7435-75 | BAGUE DE SERRAGE 28 UNI 7435-7 | DRAHTSPRENGRING 28 UNI 7435-75 | ANILLO PARADA 28 UNI 7435-75 |
| 29 | G22250190 | CORONA ASSE SEMINAT.Z-15 SV | PLANTING UNIT AXLE Z-15 RING G | COURONNE AXE SEMEUR Z-15 SV | KRANZ SZELEMENTACHSE Z-15 SV | CORONA EJE SEMBR. Z-15 SV |
| 30 | G65338022 | MOLLA COMP.ZN CHIAVISTELLO FR | ZN LATCH COMP. SPRING FR | RESSORT COMPL. ZN VERROU FR | DRUCKFEDER ZN RIEGEL FR | MUELLE COMP.ZN PESTILLO FR |
| 31 | F01410064 | ROS.M10 10,5X 20X 2 U6592 ZN | WASHER 10,5X21 | RONDELLE 10,5X21 | SCHEIBE 10,5X21 | ARANDELA 10,5X21 |
| 32 | G66248207 | TENDICATENA SPAND. SP-520 | CHAIN TENSIONER | TENDEUR DE CHAINE EPAND. ENGR. | KETTENSPELLER DsNGERSTR. SP-52 | SENSOR DE CADENA ABON. SP-520 |
| 33 | F01420048 | ROS.M8 8,4X 24X 2 U6593 ZN | PLANE WASHER D.8 | RONDELLE D.8 | SCHEIBE D.8 | ARANDELA D.8 |
| 34 | F01200244 | DADO M 8X1,25 U5588 6.8 ZN | NUT M8 | ECROU M8 | MUTTER M8 | DADO M8 |
| 35 | G14830390 | CUSCINETTO FORO QUADRO | SQUARE-HOLED BEARING | ROULEMENT AL+SAGE CARR+ | VIERKANTLAGER | COJINETE ORIFICIO CUADRADO |
| 36 | G11425111 | TUBO DISCESA LUMACHICIDA COMPL | PIPE DESCENT | TUBE DESCENTE COMPL. | SENKROHR KOMPL. | TUBO DESCENSO COMPL. |
| 37 | F02300016 | FASCETTA STRING. 16/27 H.8 | | | | |
| 38 | G65336041 | MOLLA SPEC.ZN STRINGITUBO M80 | SPEC.SPRING ZN . PIPE CLAMP M8 | RESSORT SPEC. ZN SERRE-TUBE M8 | SPEZIALFEDER ZN ROHRSCHELLE M8 | MUELLE ESPEC. ZN APLASTA TUBOS |
| 39 | G19704970 | DECAL.TAB.DISTRIB.UMOSTART 8P. | UMOSTART DISTRIBUTOR CHART 8P | TABLEAU DISTRIBUTEUR UMOSTART | TABELLE SZAPPARAT UMOSTART 8P | TABLA DISTRIBUDOR UMOSTART 8P |
| 40 | G19704990 | DECAL.TAB.DISTRIB.LUMACHIC.8P. | DISTRIBUTOR CHART 8P | TABLEAU DISTRIBUTEUR 8P | TABELLE SZAPPARAT 8P | TABLA DISTRIBUDOR 8P |
| 41 | G19705000 | DECAL.TAB.DISTRIB.LUMACHIC.20P | DISTRIBUTOR CHART 20P | TABLEAU DISTRIBUTEUR 20P | TABELLE SZAPPARAT 20P | TABLA DISTRIBUDOR 20P |



- 2 Rosso Gaspardo - 1Kg
- Gaspardo red - 1Kg
- Rot Gaspardo - 1Kg
- Rouge Gaspardo - 1Kg
- Rojo Gaspardo - 1Kg



- 3 Decalcomanie Avvertimento
- Decal
- Abziehbilder
- Decalcomanie
- Calcomanie

GASPARDO

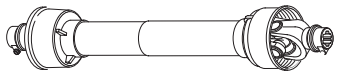
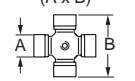
MAESTRA

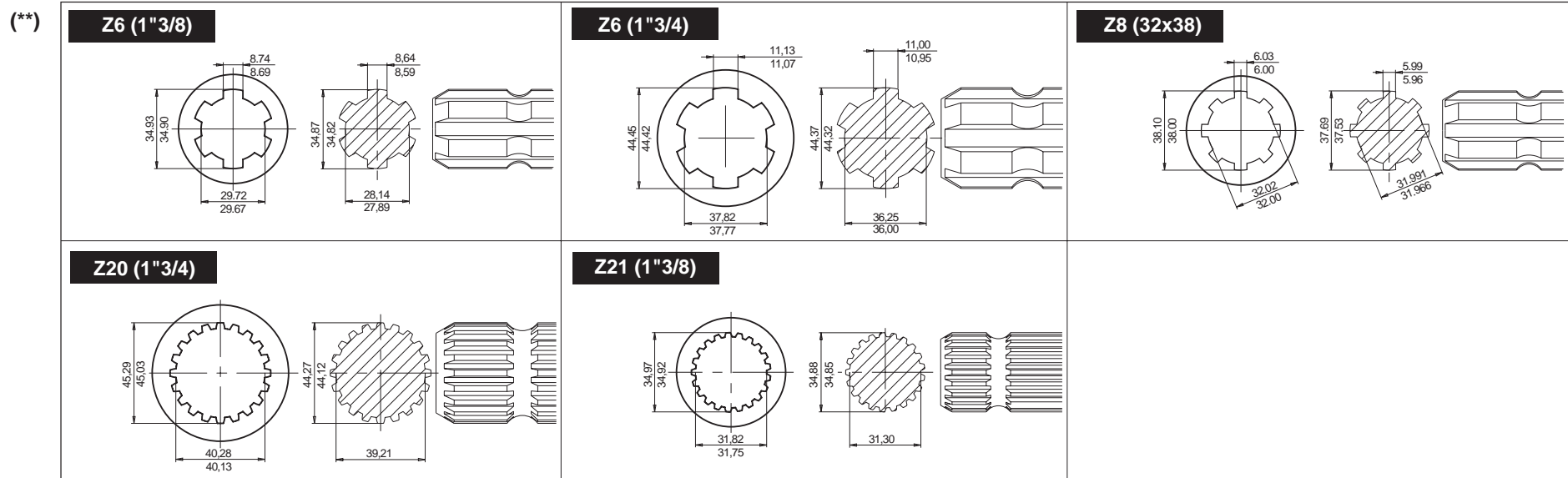
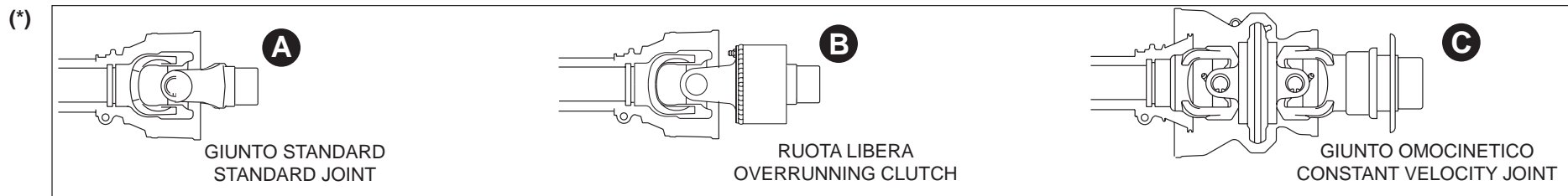
4

ACCESSORI

TAV. 300

| Pos. | Cod. | Descrizione | Description | Description | Benennung | Descripcion |
|------|-----------|--------------------------------|-------------------------------|--------------------------------|-------------------------------|--------------------------------|
| 1 | F01200244 | DADO M 8X1,25 U5588 6.8 ZN | NUT M8 | ECROU M8 | MUTTER M8 | DADO M8 |
| 2 | F03200251 | ROSSO GASPARDO RAL3020 BICOMP. | | | | |
| 3 | G89900500 | KIT DECALCOMANIE -CE- | DECAL KIT -CE- | KIT DECALCOMANIE -CE- K | IT ABZIEHB. -CE- S | ET CALCOMANAS -CE- |
| 4 | G89900516 | KIT DECALCOMANIE MAESTRA | STICKER KIT MAESTRA | KIT DECALCOMANIE MAESTRA | KIT ABZIEHB. MAESTRA | SET CALCOMANAS MAESTRA |
| 5 | F05010076 | FANALE X KIT LUCI | LAMP KIT LIGHTS COMPL. | FEU KIT ECLAIRAGE COMPL. | LAMPEN KIT LICHT KOMPL. | FAROL SET LUCES COMPL. |
| 6 | F05010222 | CATARIFRANGENTE TRIANGOLARE | TRIANGULAR REFLECTOR | CATADIOPTRÉ TRIANGULAIRE | DREIECKIGE RÖCKSTRAHLER | CATAFARO TRIANGULAR |
| 7 | G13616570 | PIASTRA SUPP.LUCI | LIGHTS SUPPORT PLATE | PLAQUE DE SUPPORT ECLAIRAGE | LICHTERHALTERUNGSPLATTE | PLACA SOPORTE LUCES |
| 8 | F05010357 | N.2 PANNELLI CARICHI SPORGENTI | N[JUTTING LOAD PANELS | N. 2 PANNEAUX CHARGES SAILLANT | N.2 TAFELN VORSRINGENDE LADUN | 2 PANELES CARGADOS SALIENTES |
| 9 | F01020408 | VITE M 6X 1X 30 U5739 8.8 ZN | BOLT M6X1X30 | VIS M6X1X30 | SCHRAUBE M 6X1X30 | TORNILLO M 6X1X30 |
| 10 | F01420036 | ROS.M6 6,4X 18X 2 U6593 ZN | FLAT WASHER 6-6X 18X2 6593 ZN | ROND. PLATE 6-6X 18X2 6593 ZN | SCHEIBE 6-6X 18X2 6593 ZN | ARAND. PLANA 6-6X 18X2 6593 ZN |
| 11 | F01220011 | DADO M 6X 1 D980 8 ZN | SELF LOCKING NUT M6 | ECROU AUTOBL. M6 | SELBSTSPERR.MUTTER M6 | DADO AUTOBL. M6 |
| 12 | F05010165 | ASTA ZN CON FARI E TABELLE | ROD WITH LIGHTS AND TABLES | TIGE AVEC LUMI+RE ET TABLEAU | STANGE MIT LICHTERBAUSATZ | VARILLA CON LUCES Y TABLAS |
| 13 | G15911500 | SUPPORTOASTA | ROD SUPPORT | SUPPORT TIGE | STAB-HALTERUNG | SOPORTE VARILLA |
| 14 | F20110830 | CAV.Q.M16X 2X 75 195X238 ZN | U BOLT M16X195- 238 ZN | CAVALIER M16X195- 238 ZN | VERBINDUNG M16X195- 238 ZN | PERNO EN U M16X195- 238 ZN |
| 15 | F01200321 | DADO M16X 2 U5588 6.8 ZN | NUT M16X2 | ECROU M16X2 | MUTTER M16X2 | DADO M16X2 |
| 16 | F06220021 | VOLANTINO 4LOBI D.40 M8 FEM. | 4-LOBE HANDWHEEL D.40 M8 | VOLANT 4 LOBES D.40 M8 | HANDRAD 4 BÜCKEL D.40 M8 | VOLANTE 4 LOBI D.40 M8 |
| 17 | F01020452 | VITE M 8X1,25X50 U5739 8.8 ZN | BOLT M 8X50 | VIS M 8X50 | SCHRAUBE M 8X50 | TORNILLO M 8X50 |

|  Codice - Code Descrizione - Description | | Lunghezze Lengths | | Classe - Size (A x B)  | Tipo - Type (*) | | Forcelle - Yokes (**) | | | | |
|---|----------------------------|----------------------|------|--|-----------------|---|-----------------------|---------------|---------------|----------------|----------------|
| | | min. | max. | | | | Z6 (1"3/8) | Z6 (1"3/4) | Z8 (32x38) | Z20 (1"3/4) | Z21 (1"3/8) |
| F08011711 | CARD.B1 Z6-Z6 L700 | 700 | 1100 | B1 (22 x 54) | A | A | G58161015 | F08011772 | F08011742 | F08011758 | F08011767 |
| F08011712 | CARD.B3 Z6-Z6 L1300 | 1300 | 2000 | B3 (27 x 70) | A | A | — | G58161016 | F08011743 | — | — |
| F08011713 | CARD.B1 Z8-Z6 L700 | 700 | 1100 | B1 (22 x 54) | A | A | G58161015 | F08011772 | F08011742 | F08011758 | F08011767 |
| F08011714 | CARD.B1 Z20-Z6 L700 | 700 | 1100 | B1 (22 x 54) | A | A | G58161015 | F08011772 | F08011742 | F08011758 | F08011767 |
| F08011715 | CARD.B1 Z8-Z6 L900 R.LIB | 900 | 1400 | B1 (22 x 54) | A | B | G58161015 | F08011772 | F08011742 | F08011758 | F08011767 |
| F08011716 | CARD.B1 Z6-Z6 L900 R.LIB | 900 | 1400 | B1 (22 x 54) | A | B | G58161015 | F08011772 | F08011742 | F08011758 | F08011767 |
| F08011719 | CARD.B2 Z6-Z6 L900 | 900 | 1400 | B2 (23,8 x 61,3) | A | B | — | — | — | — | — |
| F08011720 | CARD.B3 Z8-Z6 L1300 | 1300 | 2000 | B3 (27 x 70) | A | A | — | G58161016 | F08011743 | — | — |
| F08011757 | CARD.B1 Z20-Z6 L900 R.L | 900 | 1400 | B1 (22 x 54) | A | B | G58161015 | F08011772 | F08011742 | F08011758 | F08011767 |
| F08011764 | CARD.R4 Z20-Z6 L1210 OM-RL | 1210 | | R4 (27 x 74,6) | A | C | F08011768 | — | F08011766 | F08011774 | F08011773 |



CARDANI

TAV. 310

| Pos. | Cod. | Descrizione | Description | Description | Benennung | Descripcion |
|------|-----------|-------------------------------|--------------------------------|--------------------------------|-------------------------------|-------------------------------|
| | F08011711 | CARD.B1 Z6-Z6 L700 | UNIVERSAL JOINT S10 0700F 112 | CARD NORM S10 0700F1121121CAT | KARDAN S10 0700F 112 112 1CAT | CARDæN S10 0700F 112 112 1CAT |
| | F08011712 | CARD.B3 Z6-Z6 L1300 | UNIVERSAL JOINT T40 1020F 112 | CARD. T40 1020F 112 112 1 CAT | KARDAN T40 1020F 112 112 1CAT | CARDæN T40 1020F 112 112 1CAT |
| | F08011713 | CARD.B1 Z8-Z6 L700 | UNIV.JOINT B1070BA32A60 Z-8 Z- | CARD. B1070BA32A60 Z-8 Z-6 | KARDAN B1070BA32A60 Z-8 Z-6 | CARD+N B1070BA32A60 Z-8 Z-6 |
| | F08011714 | CARD.B1 Z20-Z6 L700 | | | | |
| | F08011715 | CARD.B1 Z8-Z6 L900 R.LIB | | | | |
| | F08011716 | CARD.B1 Z6-Z6 L900 R.LIB | UNIV.JOINT CE T100710 112 R12 | CARD ROUE LIBRE T100710 112R12 | KARDAN CE T100710 112 R12 | CARDAN CE T100710 112 R12 |
| | F08011719 | CARD.B2 Z6-Z6 L900 | UNIVERSAL JOINT 102 071 N T07 | CARD. 102 071 N T07 T07 1 CAT | KARDAN 102 071 N T07 T07 1CAT | CARDæN 102 071 N T07 T07 1CAT |
| | F08011720 | CARD.B3 Z8-Z6 L1300 | | | | |
| | F08011742 | FORCELLA CARD.32X38 Z8 B1 | CARDAN SHAFT FORK Z.8 | FOURCHETTE CARDAN Z.8 | GABEL KARDAN Z.8 | HORQUILLA CARDæN Z.8 |
| | F08011743 | FORCELLA CARD.32X38 Z8 B3 | | | | |
| | F08011757 | CARD.B1 Z20-Z6 L900 R.L > | | | | |
| | F08011758 | FORCELLA CARD.1"3/4 Z20 B1 > | | | | |
| | F08011764 | CARDANO OM 3/4Z20-RL Z6 L1210 | | | | |
| | F08011766 | FORCELLA CARD.32X38 Z8 R4 | | | | |
| | F08011767 | FORCELLA CARD.1 3/8 Z21 B1 > | | | | |
| | F08011768 | FORCELLA CARD.1 3/8 Z6 R4 | | | | |
| | F08011772 | FORCELLA CARD.1"3/4 Z6 B1 > | | | | |
| | F08011773 | FORCELLA CARD.1 3/8 Z21 R4 > | | | | |
| | F08011774 | FORCELLA CARD.1 3/4 Z20 R4 | | | | |
| | G58161015 | FORCELLA CARD.1'3/8 Z6 B1 | | | | |
| | G58161016 | FORCELLA CARD.1'3/8 Z6 B3 > | | | | |

**USATE SEMPRE RICAMBI ORIGINALI
 ALWAYS USE ORIGINAL SPARE PARTS
 IMMER DIE ORIGINAL-ERSATZTEILE VERWENDEN
 EMPLOYEZ TOUJOURS LES PIECES DE RECHANGE ORIGINALES
 UTILIZAR SIEMPRE REPUESTOS ORIGINALES**

GASPARDO

**Servizio Assistenza Tecnica - After Sales Service
 Servizio Ricambi - Spare Parts Service
 +39 0434 695410**

DEALER:



G19530881



MASCHIO GASPARDO SpA
Sede legale e stabilimento produttivo
 Via Marcello, 73 - 35011 Campodarsego (Padova) - Italy
 Tel. +39 049 9289810
 Fax +39 049 9289900
 Email: info@maschio.com
 www.maschionet.com

MASCHIO GASPARDO SpA
Stabilimento produttivo
 Via Mussons, 7 - 33075
 Morsano al Tagliamento (PN) - Italy
 Tel. +39 0434 695410
 Fax +39 0434 695425
 Email: info@gaspardo.it

MASCHIO DEUTSCHLAND GMBH
 Äußere Nürnberger Straße 5
 D - 91177 Thalmässing
 Deutschland
 Tel. +49 (0) 9173 79000
 Fax +49 (0) 9173 790079

000 МАСКИО-ГАСПАРДО РУССИЯ
 Улица Пушкина, 117 Б
 404126 Волжский
 Волгоградская область
 Тел. +7 8443 525065
 факс. +7 8443 525064

MASCHIO FRANCE Sarl
 1, Rue de Mérignan ZA
 F - 45240 La Ferte St. Aubin
 France
 Tel. +33 (0) 2.38.64.12.12
 Fax +33 (0) 2.38.64.66.79

MASCHIO-GASPARDO ROMANIA S.R.L.
 Strada Înfrâtitirii, F.N.
 315100 Chisineu-Cris (Arad) - România
 Tel. +40 257 307030
 Fax +40 257 307040
 e-mail: maschio@maschio.ro

MASCHIO IBERICA S.L.
 Calle Cabernet, 10
 Poligono Industrial Clot de Moja
 Olerdola - 08734 Barcelona
 Tel. +34 93.81.99.058
 Fax +34 93.81.99.059

MASCHIO MIDDLEEAST
 P.O. Box 922388
 Amman, 11192 Jordan
 Tel. 962 605511384
 Fax 962 6 5538398
 e-mail: tahaeng@nets.com.jo

MASCHIO-GASPARDO USA Inc
 120 North Scott Park Road
 Eldridge, IA 52748 - USA
 Ph. +1 563 2859937
 Fax +1 563 2859938
 e-mail: info@maschio.us

GASPARDO-MASCHIO TURCHIA
MASCHIO-GASPARDO CANADA Inc
MASCHIO-GASPARDO CINA
MASCHIO-GASPARDO POLAND
MASCHIO-GASPARDO UCRAINA
GASPARDO BIELORUSSIA
MASCHIO-GASPARDO KOREA