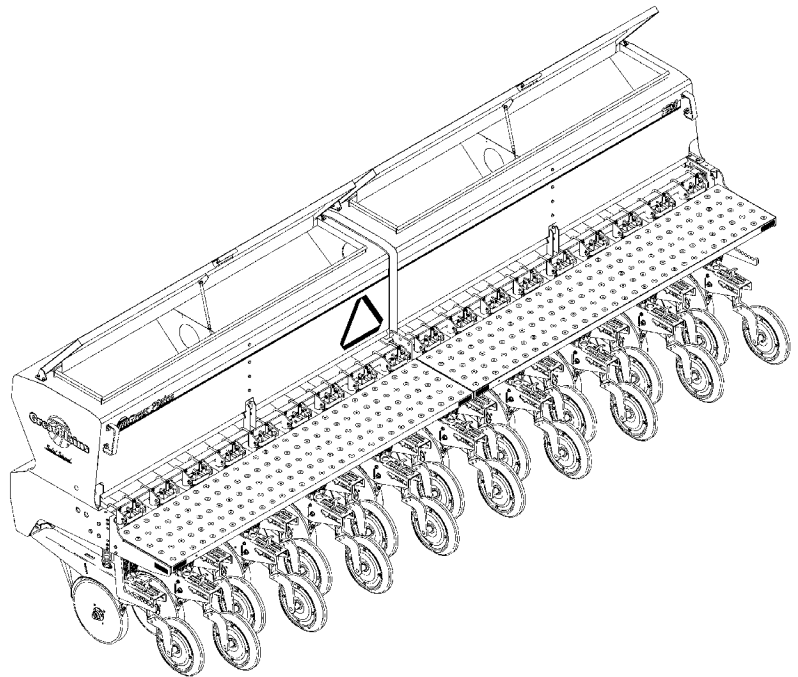


# Parts Manual

1200, 1210, 1220, 1500, 1510, 1520, 2000, 2010 & 2020  
12', 15', & 20' 3-Point Drill 1994+



*Read the Operator's manual entirely. When you see this symbol, the subsequent instructions and warnings are serious - follow without exception. Your life and the lives of others depend on it!*



12127

*Cover illustration may show optional equipment not supplied with standard unit.*



# Table of Contents

<b>Section 1: Introduction.....</b>	<b>6</b>	1200 And 1500 Drive Gauge Wheel Arm (2003+).....	80
Using This Manual.....	6	1200 And 1500 Nondrive Gauge Wheel (1993-2002).....	82
Manual Replacement Information.....	6	1200 And 1500 Nondrive Gauge Wheel (2003+).....	84
Manual Revisions.....	6	2000 Drive Gauge Wheel Arm.....	86
Touch-up Paint.....	6	2000 Nondrive Gauge Wheel.....	88
Hardware Legend.....	7	2000 Weight Bracket.....	90
Replacement Hardware.....	7	Drive Gauge Wheel Mount.....	92
Serial Numbers.....	7	Gauge Wheel Axle Field Update Kits.....	94
Part Number Service Coding.....	7	Gauge Wheel Tire.....	96
<b>Box Assembly.....</b>	<b>8</b>	<b>Harrow.....</b>	<b>98</b>
1200 Small Seeds Box Mount.....	8	Spring Tine Harrow (1994 <-> 1995).....	98
1200 Small Seeds Box With Fertilizer.....	10	Spring Tine Harrow (1996 And Later).....	100
1500 Small Seeds Box Mount.....	12	<b>Markers.....</b>	<b>102</b>
1500 Small Seeds Box With Fertilizer.....	14	Energy Hydraulic Cylinder (810-005C).....	102
2000 Small Seeds Box Mount.....	16	Flat Fold Dual Marker Hydraulics.....	104
2000 Small Seeds Box With Fertilizer.....	18	Flat Fold Marker Assembly.....	106
Agitator Assembly (Option).....	20	Flat Fold Marker Hydraulic Cylinder (810-205C).....	108
Box to Frame (1200 S/N 1774D-)(1500 S/N 11780C-)(2000		Flat Fold Marker Saddle For 2000 Drills.....	110
S/N 8961B-).....	22	Flat Fold Marker Sequence Valve (810-197C).....	112
Box to Frame (1200 S/N 1775D+)(1500 S/N 11781C+)(2000		Flat Fold Marker Sequence Valve Hydraulics.....	114
S/N 8962B+).....	26	Marker Disc Assembly (113-563S).....	116
Fertilizer Box Mount.....	30	<b>Metering Systems.....</b>	<b>118</b>
Fertilizer Lid Assembly.....	32	1200 Drill Feeder Cup Spacing.....	118
Fertilizer Walkboard.....	34	1500 Drill Feeder Cup Spacing (Part 1).....	120
Lid To Box.....	36	1500 Drill Feeder Cup Spacing (Part 2).....	122
Parking Stand (Option).....	38	1500 Drill Feeder Cup Spacing (Part 3).....	124
Seed Level Indicator.....	40	2000 Drill Feeder Cup Spacing (Part 1).....	126
Small Seeds Box & Lid Assembly.....	42	2000 Drill Feeder Cup Spacing (Part 2).....	128
Small Seeds Walkboard.....	44	2000 Drill Feeder Cup Spacing (Part 3).....	130
Walkboard Assembly.....	46	Feeder Cup Channel.....	132
<b>Decals.....</b>	<b>48</b>	Fertilizer Metering.....	134
Decal Placement.....	48	Fertilizer Tray Adjustment.....	136
Small Seeds Decal Placement.....	50	Fertilizer Trays, Gates & Shafts.....	138
<b>Drill Boom.....</b>	<b>52</b>	Loup Shaft Monitor (2 Channel 116-282A) (3 Channel	
Ball Valve.....	52	116-283A).....	140
Drill Boom Mounting.....	54	Seed Rate Handle.....	142
Drill Boom Plumbing.....	56	Small Seeds Metering.....	144
Spraying Systems Check Valve (829-089C).....	58	<b>Openers.....</b>	<b>146</b>
<b>Drive.....</b>	<b>60</b>	5" & 6" Seed-Lok® (Option).....	146
Agitator Drive.....	60	Fertilizer Hose Retainer.....	148
Fertilizer Drive.....	62	Option 00 Straight Arm Opener.....	150
Gauge Wheel Drive.....	64	Option 10 Parallel Arm Opener.....	154
Gearbox (890-282C).....	68	Option 20 Series Opener (Aug. 31, 1997-).....	158
Gearbox And Gearbox Cover.....	70	Option 20 Series Opener (Sept. 1, 1997+).....	162
Jackshaft Drive.....	72	Small Seeds Hose Retainer.....	164
Small Seeds Drive.....	74	Small Seeds Hose Retainer With Fertilizer.....	166
Small Seeds Drive With Fertilizer.....	76	Small Seeds Y-Tube Drop.....	168
<b>Gauge Wheels.....</b>	<b>78</b>	Small Seeds Y-Tube Drop With Fertilizer.....	170
1200 And 1500 Drive Gauge Wheel Arm (1993-2002).....	78	Wiper Wheel.....	172

© Copyright 2017 All rights reserved Printed 04/07/17

Great Plains Manufacturing, Inc. provides this publication "as is" without warranty of any kind, either expressed or implied. While every precaution has been taken in the preparation of this manual, Great Plains Manufacturing, Inc. assumes no responsibility for errors or omissions. Neither is any liability assumed for damages resulting from the use of the information contained herein. Great Plains Manufacturing, Inc. reserves the right to revise and improve its products as it sees fit. This publication describes the state of this product at the time of its publication, and may not reflect the product in the future.

Great Plains Manufacturing, Incorporated Trademarks

The following are trademarks of Great Plains Mfg., Inc.: Application Systems, Ausherman, Land Pride, Great Plains

All other brands and product names are trademarks or registered trademarks of their respective holders.

Printed in the United States of America.



# Table of Contents (continued)

---

<b>Press Wheels.....</b>	<b>174</b>
1" x 10" Double "V" Press Wheel (10/1/2000+).....	174
1" x 10" Double "V" Press Wheel (9/30/2000-).....	176
1" x 12" Double "V" Press Wheel.....	178
1" x 12" Press Wheel.....	180
2" x 13" Smooth Crown Press Wheel (12' S/N 1412D-; 15' S/N 8876C- & 20' S/N 6099B-).....	182
2" x 13" Smooth Crown Press Wheel (12' S/N 1413D+; 15' S/N 8877C+ & 20' S/N 6100B+).....	184
3" x 13" Single "V" Crown Press Wheel (12' S/N 1412D-; 15' S/N 8876C- & 20' S/N 6099B-).....	186
3" x 13" Single "V" Crown Press Wheel (12' S/N 1413D+; 15' S/N 8877C+ & 20' S/N 6100B+).....	188
3" x 14" Peaked Press Wheel (12' S/N 1412D-; 15' S/N 8876C- & 20' S/N 6099B-).....	190
3" x 14" Peaked Press Wheel (12' S/N 1413D+; 15' S/N 8877C+ & 20' S/N 6100B+).....	192
4" x 12" "V" Groove Press Wheel.....	194
<b>Pull Hitch.....</b>	<b>196</b>
Pull Hitch Frame.....	196
Pull Hitch Tire & Hub.....	198
<b>Part Number Index.....</b>	<b>200</b>



# Alphabetized Table of Contents

## Selected Models

<p align="center"><b>1</b></p> <p>1" x 10" Double "V" Press Wheel (10/1/2000+).....174</p> <p>1" x 10" Double "V" Press Wheel (9/30/2000-).....176</p> <p>1" x 12" Double "V" Press Wheel.....178</p> <p>1" x 12" Press Wheel.....180</p> <p>1200 And 1500 Drive Gauge Wheel Arm (1993-2002).....78</p> <p>1200 And 1500 Drive Gauge Wheel Arm (2003+).....80</p> <p>1200 And 1500 Nondrive Gauge Wheel (1993-2002).....82</p> <p>1200 And 1500 Nondrive Gauge Wheel (2003+).....84</p> <p>1200 Drill Feeder Cup Spacing.....118</p> <p>1200 Small Seeds Box Mount.....8</p> <p>1200 Small Seeds Box With Fertilizer.....10</p> <p>1500 Drill Feeder Cup Spacing (Part 1).....120</p> <p>1500 Drill Feeder Cup Spacing (Part 2).....122</p> <p>1500 Drill Feeder Cup Spacing (Part 3).....124</p> <p>1500 Small Seeds Box Mount.....12</p> <p>1500 Small Seeds Box With Fertilizer.....14</p> <p align="center"><b>2</b></p> <p>2" x 13" Smooth Crown Press Wheel (12' S/N 1412D-; 15' S/N 8876C- &amp; 20' S/N 6099B-).....182</p> <p>2" x 13" Smooth Crown Press Wheel (12' S/N 1413D+; 15' S/N 8877C+ &amp; 20' S/N 6100B+).....184</p> <p>2000 Drill Feeder Cup Spacing (Part 1).....126</p> <p>2000 Drill Feeder Cup Spacing (Part 2).....128</p> <p>2000 Drill Feeder Cup Spacing (Part 3).....130</p> <p>2000 Drive Gauge Wheel Arm.....86</p> <p>2000 Nondrive Gauge Wheel.....88</p> <p>2000 Small Seeds Box Mount.....16</p> <p>2000 Small Seeds Box With Fertilizer.....18</p> <p>2000 Weight Bracket.....90</p> <p align="center"><b>3</b></p> <p>3" x 13" Single "V" Crown Press Wheel (12' S/N 1412D-; 15' S/N 8876C- &amp; 20' S/N 6099B-).....186</p> <p>3" x 13" Single "V" Crown Press Wheel (12' S/N 1413D+; 15' S/N 8877C+ &amp; 20' S/N 6100B+).....188</p> <p>3" x 14" Peaked Press Wheel (12' S/N 1412D-; 15' S/N 8876C- &amp; 20' S/N 6099B-).....190</p> <p>3" x 14" Peaked Press Wheel (12' S/N 1413D+; 15' S/N 8877C+ &amp; 20' S/N 6100B+).....192</p> <p align="center"><b>4</b></p> <p>4" x 12" "V" Groove Press Wheel.....194</p> <p align="center"><b>5</b></p> <p>5" &amp; 6" Seed-Lok® (Option).....146</p> <p align="center"><b>A</b></p> <p>Agitator Assembly (Option).....20</p> <p>Agitator Drive.....60</p> <p align="center"><b>B</b></p> <p>Ball Valve.....52</p>	<p>Box to Frame (1200 S/N 1774D-)(1500 S/N 11780C-)(2000 S/N 8961B-).....22</p> <p>Box to Frame (1200 S/N 1775D+)(1500 S/N 11781C+)(2000 S/N 8962B+).....26</p> <p align="center"><b>D</b></p> <p>Decal Placement.....48</p> <p>Drill Boom Mounting.....54</p> <p>Drill Boom Plumbing.....56</p> <p>Drive Gauge Wheel Mount.....92</p> <p align="center"><b>E</b></p> <p>Energy Hydraulic Cylinder (810-005C).....102</p> <p align="center"><b>F</b></p> <p>Feeder Cup Channel.....132</p> <p>Fertilizer Box Mount.....30</p> <p>Fertilizer Drive.....62</p> <p>Fertilizer Hose Retainer.....148</p> <p>Fertilizer Lid Assembly.....32</p> <p>Fertilizer Metering.....134</p> <p>Fertilizer Tray Adjustment.....136</p> <p>Fertilizer Trays, Gates &amp; Shafts.....138</p> <p>Fertilizer Walkboard.....34</p> <p>Flat Fold Dual Marker Hydraulics.....104</p> <p>Flat Fold Marker Assembly.....106</p> <p>Flat Fold Marker Hydraulic Cylinder (810-205C).....108</p> <p>Flat Fold Marker Saddle For 2000 Drills.....110</p> <p>Flat Fold Marker Sequence Valve (810-197C).....112</p> <p>Flat Fold Marker Sequence Valve Hydraulics.....114</p> <p align="center"><b>G</b></p> <p>Gauge Wheel Axle Field Update Kits.....94</p> <p>Gauge Wheel Drive.....64</p> <p>Gauge Wheel Tire.....96</p> <p>Gearbox (890-282C).....68</p> <p>Gearbox And Gearbox Cover.....70</p> <p align="center"><b>J</b></p> <p>Jackshaft Drive.....72</p> <p align="center"><b>L</b></p> <p>Lid To Box.....36</p> <p>Loup Shaft Monitor (2 Channel 116-282A) (3 Channel 116-283A).....140</p> <p align="center"><b>M</b></p> <p>Marker Disc Assembly (113-563S).....116</p> <p align="center"><b>O</b></p> <p>Option 00 Straight Arm Opener.....150</p> <p>Option 10 Parallel Arm Opener.....154</p> <p>Option 20 Series Opener (Aug. 31, 1997-).....158</p> <p>Option 20 Series Opener (Sept. 1, 1997+).....162</p> <p align="center"><b>P</b></p> <p>Parking Stand (Option).....38</p>
--	--



# Alphabetized Table of Contents (continued)

---

Pull Hitch Frame.....	196
Pull Hitch Tire & Hub.....	198

## **S**

Seed Level Indicator.....	40
Seed Rate Handle.....	142
Small Seeds Box & Lid Assembly.....	42
Small Seeds Decal Placement.....	50
Small Seeds Drive.....	74
Small Seeds Drive With Fertilizer.....	76
Small Seeds Hose Retainer.....	164
Small Seeds Hose Retainer With Fertilizer.....	166
Small Seeds Metering.....	144
Small Seeds Walkboard.....	44
Small Seeds Y-Tube Drop.....	168
Small Seeds Y-Tube Drop With Fertilizer.....	170
Spraying Systems Check Valve (829-089C).....	58
Spring Tine Harrow (1994 <-> 1995).....	98
Spring Tine Harrow (1996 And Later).....	100

## **W**

Walkboard Assembly.....	46
Wiper Wheel.....	172



## General Information

### Using This Manual

This manual is divided into sections. The first section contains General Information, a Table of Contents, an Alphabetical Page Index, and a Part Number Index. The remaining sections divide the machine into segments (i.e. Frames, Drives, Hydraulics, etc.) which illustrate and list all parts.

The Great Plains parts in this manual are specially designed for this machine and should be replaced with Great Plains parts only.

The information in this manual is current at printing. Some parts may change to assure top performance.

Right-hand and left-hand as used in this manual are determined by facing the direction the machine will travel while in use.

Below is an example of two facing pages from a parts manual. Familiarize yourself with the contents of these pages.

### Manual Replacement Information

Replacement manuals are available. Refer to your dealer or the Great Plains Publications Catalog for additional information.

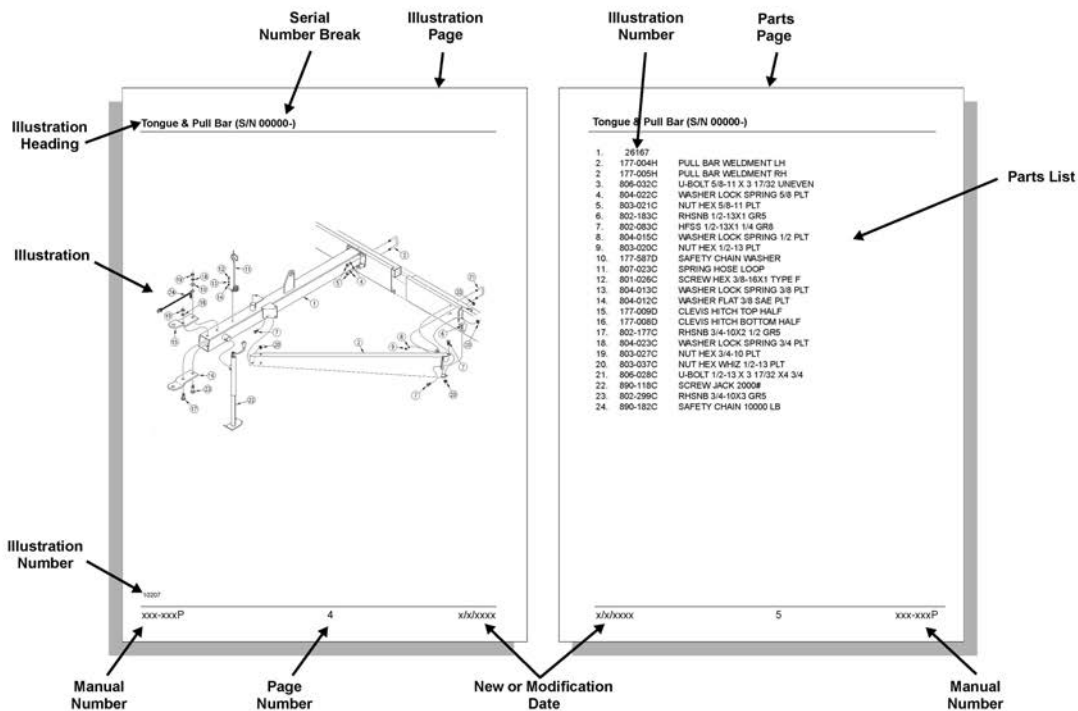
### Manual Revisions

When this manual is revised, the modification date is printed on the front cover and on the revised page(s).

### Touch-up Paint

Repaint parts where paint is worn or scratched to prevent rust. Aerosol touch-up paint is available. To order use Great Plains parts numbers below:

GP Green . . . . .	821-001C
GP Black . . . . .	821-002C
GP Beige . . . . .	821-003C
GP Buckskin . . . . .	821-004C





## Hardware Legend

<b>AR</b>	As Required
<b>BLADE</b>	Blade Bolt
<b>C</b>	Cap Screw
<b>CP</b>	Cotter Pin
<b>CPHSSS</b>	Cup Point Hex Socket Set Screw
<b>CPSHSS</b>	Cup Point Square Head Set Screw
<b>CPSQHSS</b>	Cup Point Square Head Set Screw
<b>CRFCHMS</b>	Cross Recess Flat Countersunk Head Mach. Screw
<b>CRPHMS</b>	Cross Recess Pan Head Machine Screw
<b>CRPHTFS</b>	Cross Recess Pan Head Thread Forming
<b>CRRHMS</b>	Cross Recess Round Head Machine Screw
<b>CRTHMS</b>	Cross Recess Truss Head Machine Screw
<b>CSNB</b>	Countersunk Square Neck Bolt
<b>FHMS</b>	Flat Head Machine Screw
<b>FTC</b>	Full Thread Cap Screw
<b>H</b>	Hex Nut
<b>HCLN</b>	Hex Center Lock Nut
<b>HFLCS</b>	Hex Flange Lock Cap Screw
<b>HFS</b>	Hex Flange Screw
<b>HFSLN</b>	Hex Flange Serrated Lock Nut
<b>HFSS</b>	Hex Flange Serrated Screw
<b>HHCS</b>	Hex Head Cap Screw or Metric Bolt
<b>HSBHCS</b>	Hex Socket Button Head Cap Screw
<b>HSFCHCS</b>	Hex Socket Flat Countersunk Head Cap Screw
<b>HSHCS</b>	Hex Socket Head Cap Screw
<b>HSSS</b>	Hex Socket Head Screw
<b>HTLN</b>	Hex Top Lock Nut
<b>HWHCS</b>	Hex Washer Head Cap Screw

<b>HWHMS</b>	Hex Washer Head Machine Screw
<b>HXBHCS</b>	Hex Socket Button Head Cap Screw
<b>J</b>	Hex Jam Nut
<b>JIC</b>	37 Degree Tapered Thread
<b>L</b>	Helical Spring Lock Washer
<b>LUG</b>	Lug Bolt
<b>NFC</b>	National Fine Cap Screw
<b>NPSM</b>	National Pipe Straight Mechanical
<b>NPTF</b>	National Pipe Taper Fuel
<b>P</b>	Wide Plain Washer
<b>PHMS</b>	Pan Head Machine Screw
<b>PLOW</b>	Plow Bolt
<b>RHMS</b>	Round Head Machine Screw
<b>RHSNB</b>	Round Head Square Neck Bolt
<b>SCREW LEVELING</b>	Leveling Screw
<b>SCREW THUMB</b>	Thumb Screw
<b>SCREW WELD</b>	Weld Screw
<b>SFCHMS</b>	Slotted Flat Countersunk Head Machine Screw
<b>SFHMS</b>	Slotted Fillister Head Machine Screw
<b>SP</b>	Special
<b>SP SCREW</b>	Special Screw
<b>SQHSS</b>	Square Head Set Screw
<b>SRHMS</b>	Slotted Round Head Machine Screw
<b>SSS</b>	Socket Set Screw
<b>STCS</b>	Self Tapping Cap Screw
<b>STHMS</b>	Slotted Truss Head Machine Screw
<b>WHEEL</b>	Wheel Studs and Hub Long Bolts
<b>WING</b>	Wing Bolt

## Replacement Hardware

The **Hardware Legend** above lists hardware abbreviations used in the parts lists. All bolts and nuts are grade 5 unless otherwise noted. The use of improper grades of hardware can result in personal injury, damage to equipment, or loss of property.

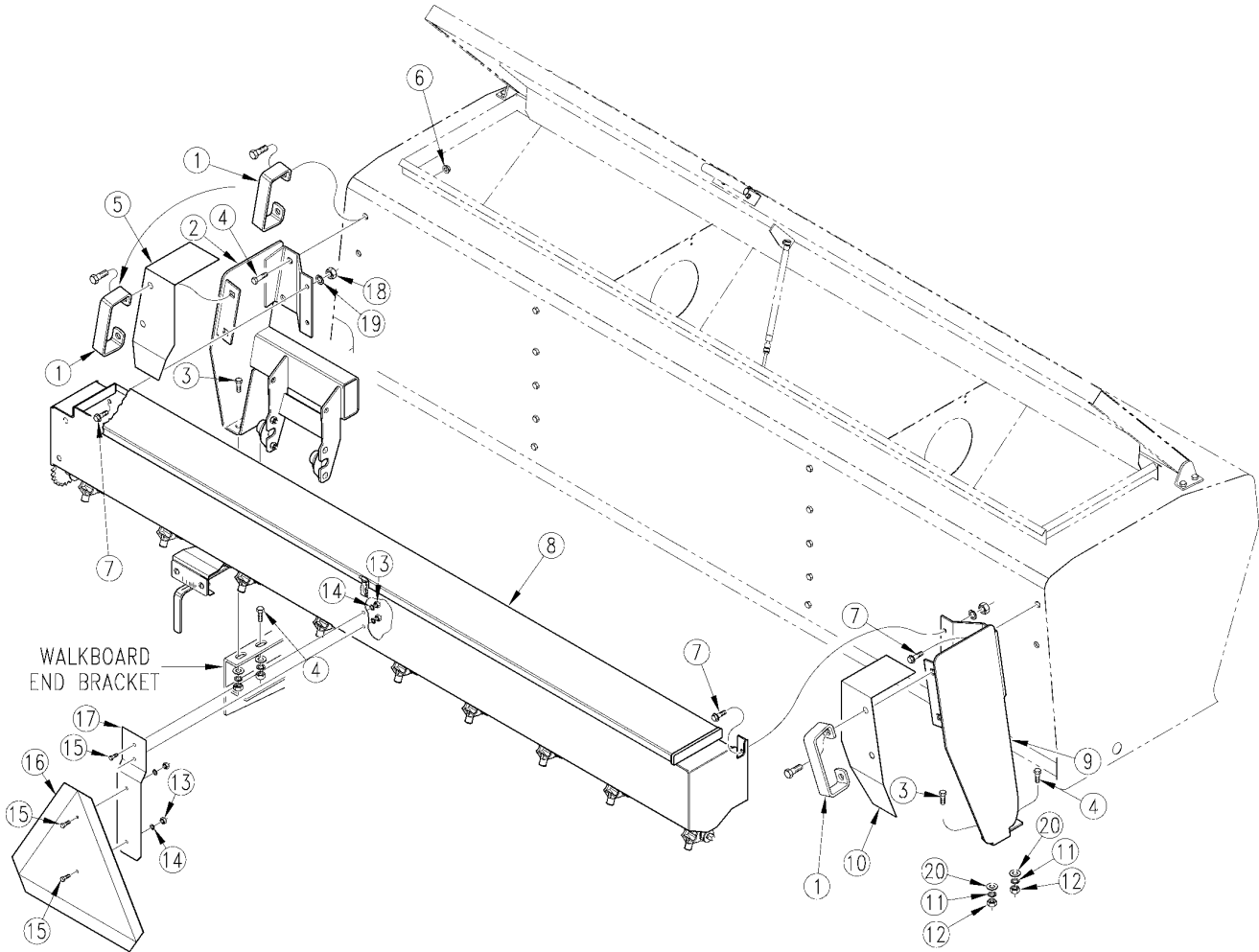
### Serial Numbers

Always use the serial and model number when ordering parts. Refer to the operator's manual for serial number plate location.

- (S/N 20001+ or S/N 20001 and above) Includes serial numbers 20001 and above (to the latest number)
- (S/N 10001+→20000) Includes serial numbers between 10000 and 20001
- (S/N 10000- or S/N 10000 and below) Includes serial numbers 10000 and below (to the earliest number)

# 1200 Small Seeds Box Mount

(Applies to 1200 (1994+) only)



12152



## 1200 Small Seeds Box Mount

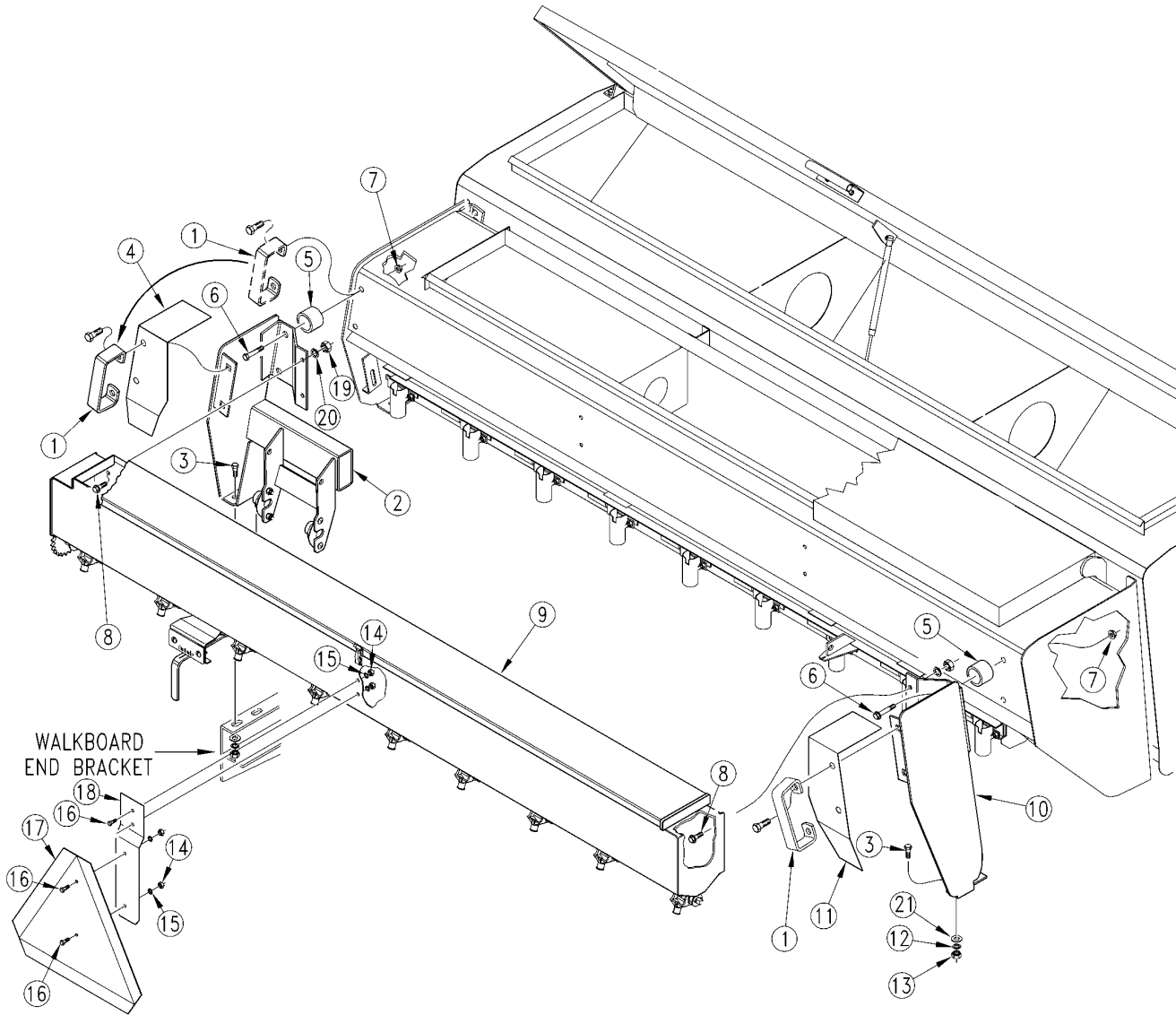
---

(Applies to 1200 (1994+) only)

Ref	Part No.	Part Description	Comments	Revision
	dwg12152	Image No.		
1.	119-190D	HANDLE		
2.	123-827H	3PT SML SDS BOX MNT LH W/DRIVE		
3.	802-258C	HHCS 1/2-13X1 GR5		
4.	802-034C	HHCS 1/2-13X1 1/4 GR5		
5.	123-491D	HANDLE MOUNT LH CHAIN GAURD		
6.	803-169C	NUT HEX FLG. LOCK 1/2-13 PLT.		
7.	802-388C	HFS 3/8-16X1 GR5		
8.	123-794H	3PT 12'-6 SML SDS BOX		
8.	123-795H	3PT 12'-7 SML SDS BOX		
8.	123-796H	3PT 12'-7 1/2 SML SDS BOX		
8.	123-797H	3PT 12'-8 SML SDS BOX		
8.	123-798H	3PT 12'-10 SML SDS BOX		
9.	123-829H	3PT SML SDS BOX MNT RH NON DRV		
10.	123-492D	HANDLE MOUNT RH CHAIN GUARD		
11.	804-015C	WASHER LOCK SPRING 1/2 PLT		
12.	803-020C	NUT HEX 1/2-13 PLT		
13.	803-006C	NUT-HEX 1/4-20 PLT		
14.	804-006C	WASHER LOCK SPRING 1/4 PLT		
15.	801-018C	SCREW RD HD 1/4-20 X 5/8		
16.	818-055C	DECAL SLOW MOVING-GALV. BACKED		
17.	890-153C	SMV MOUNTING BLADE		
18.	803-014C	NUT HEX 3/8-16 PLT		
19.	804-013C	WASHER LOCK SPRING 3/8 PLT		
20.	804-016C	WASHER FLAT 1/2 SAE PLT		

# 1200 Small Seeds Box With Fertilizer

(Applies to 1200 (1994+) only)



13740

## 1200 Small Seeds Box With Fertilizer

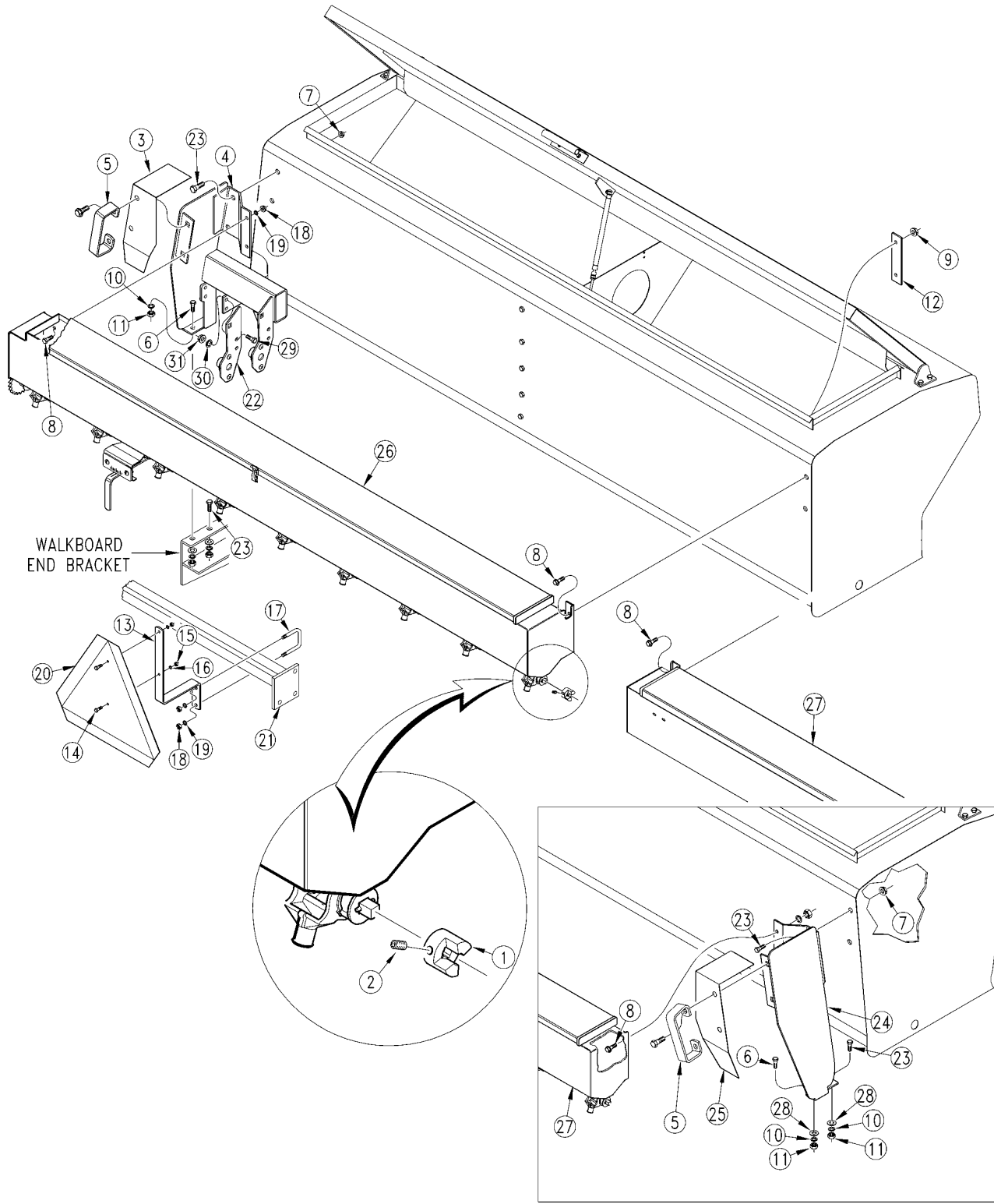
---

(Applies to 1200 (1994+) only)

Ref	Part No.	Part Description	Comments	Revision
	dwg13740	Image No.		
1.	119-190D	HANDLE		
2.	123-827H	3PT SML SDS BOX MNT LH W/DRIVE		
3.	802-258C	HHCS 1/2-13X1 GR5		
4.	123-491D	HANDLE MOUNT LH CHAIN GAURD		
5.	123-561D	SMALL SEEDS BOX MOUNT SPACER		
6.	802-038C	HHCS 1/2-13X2 1/4 GR5		
7.	803-169C	NUT HEX FLG. LOCK 1/2-13 PLT.		
8.	802-388C	HFS 3/8-16X1 GR5		
9.	123-794H	3PT 12'-6 SML SDS BOX		
9.	123-795H	3PT 12'-7 SML SDS BOX		
9.	123-796H	3PT 12'-7 1/2 SML SDS BOX		
9.	123-797H	3PT 12'-8 SML SDS BOX		
9.	123-798H	3PT 12'-10 SML SDS BOX		
10.	123-829H	3PT SML SDS BOX MNT RH NON DRV		
11.	123-492D	HANDLE MOUNT RH CHAIN GUARD		
12.	804-015C	WASHER LOCK SPRING 1/2 PLT		
13.	803-020C	NUT HEX 1/2-13 PLT		
14.	803-006C	NUT-HEX 1/4-20 PLT		
15.	804-006C	WASHER LOCK SPRING 1/4 PLT		
16.	801-018C	SCREW RD HD 1/4-20 X 5/8		
17.	818-055C	DECAL SLOW MOVING-GALV. BACKED		
18.	890-153C	SMV MOUNTING BLADE		
19.	803-014C	NUT HEX 3/8-16 PLT		
20.	804-013C	WASHER LOCK SPRING 3/8 PLT		
21.	804-016C	WASHER FLAT 1/2 SAE PLT		

# 1500 Small Seeds Box Mount

(Applies to 1500 (1994+) only)



RIGHT HAND SMALL SEEDS BOX ASSEMBLY

13760

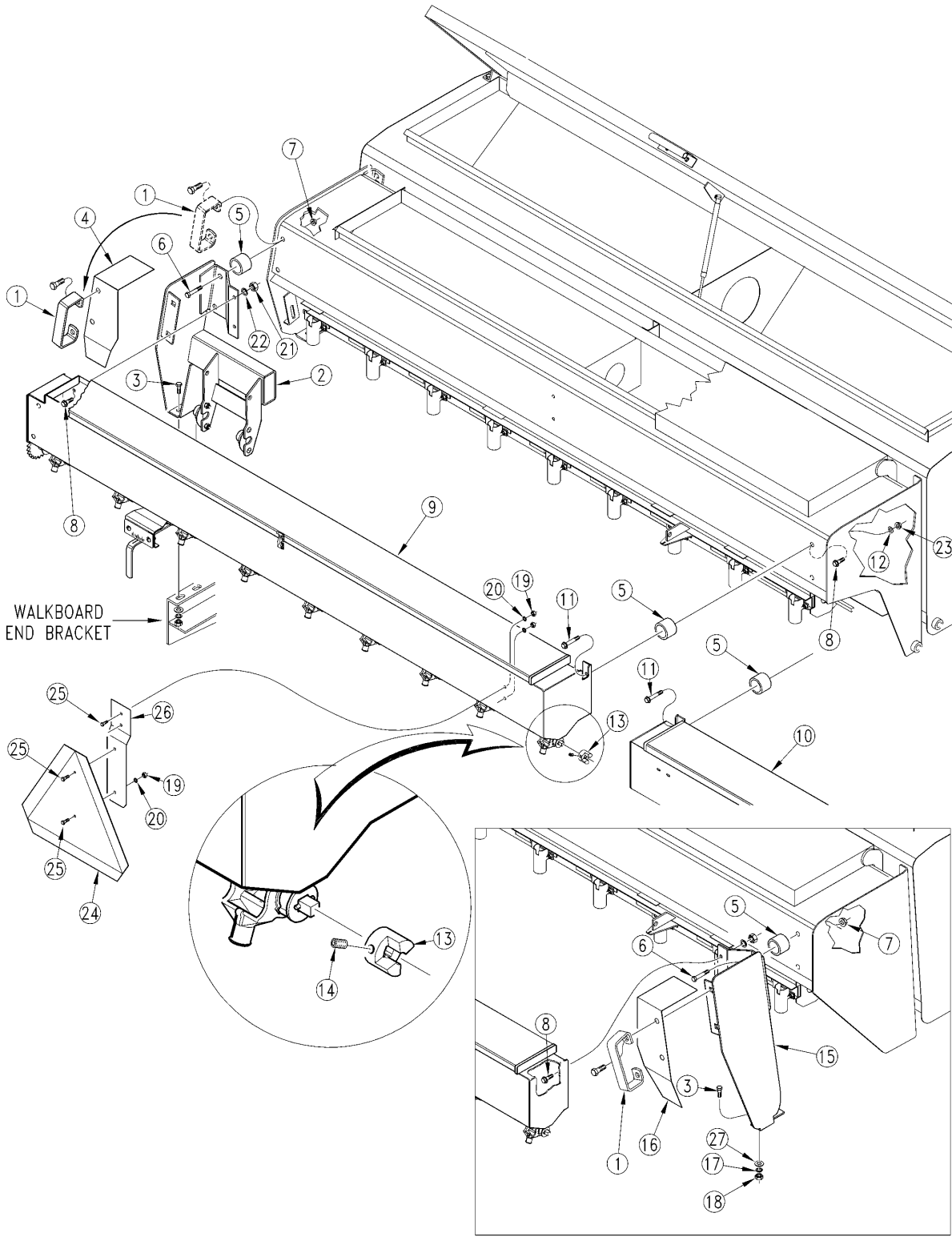
## 1500 Small Seeds Box Mount

(Applies to 1500 (1994+) only)

Ref	Part No.	Part Description	Comments	Revision
	dwg13760	Image No.		
1.	123-532D	FLEX COUPLER 3/8 SQUARE BORE		
2.	801-035C	SCREW SET 5/16-18 SKT KP X 3/8		
3.	123-491D	HANDLE MOUNT LH CHAIN GAURD		
4.	123-827H	3PT SML SDS BOX MNT LH W/DRIVE		
5.	119-190D	HANDLE		
6.	802-258C	HHCS 1/2-13X1 GR5		
7.	803-169C	NUT HEX FLG. LOCK 1/2-13 PLT.		
8.	802-388C	HFS 3/8-16X1 GR5		
9.	803-209C	NUT FLANGE LOCK 3/8-16 PLT		
10.	804-015C	WASHER LOCK SPRING 1/2 PLT		
11.	803-020C	NUT HEX 1/2-13 PLT		
12.	123-520D	SEED BOX REINFORCEMENT STRAP		
13.	123-523D	SMV MOUNT BRACKET		
14.	801-018C	SCREW RD HD 1/4-20 X 5/8		
15.	803-006C	NUT-HEX 1/4-20 PLT		
16.	804-006C	WASHER LOCK SPRING 1/4 PLT		
17.	806-004C	U-BOLT 3/8-16 X 2 X 2 3/4		
18.	803-014C	NUT HEX 3/8-16 PLT		
19.	804-013C	WASHER LOCK SPRING 3/8 PLT		
20.	818-055C	DECAL SLOW MOVING-GALV. BACKED		
21.		REAR 2" X 2" STEP MOUNTING TUBE		
22.	123-482D	BRG PLATE		
23.	802-034C	HHCS 1/2-13X1 1/4 GR5		
24.	123-829H	3PT SML SDS BOX MNT RH NON DRV		
25.	123-492D	HANDLE MOUNT RH CHAIN GUARD		
26.	123-774H	3PT 15'-6 SML SDS BOX LH		
26.	123-776H	3PT 15'-7 SML SDS BOX LH		
26.	123-778H	3PT 15'-7 1/2 SML SDS BOX LH		
26.	123-780H	3PT 15'-8 SML SDS BOX LH		
26.	123-782H	3PT 15'-10 SML SDS BOX LH		
27.	123-775H	3PT 15'-6 SML SDS BOX RH		
27.	123-777H	3PT 15'-7 SML SDS BOX RH		
27.	123-779H	3PT 15'-7 1/2 SML SDS BOX RH		
27.	123-781H	3PT 15'-8 SML SDS BOX RH		
27.	123-783H	3PT 15'-10 SML SDS BOX RH		
28.	804-016C	WASHER FLAT 1/2 SAE PLT		
29.	802-034C	HHCS 1/2-13X1 1/4 GR5		
30.	804-016C	WASHER FLAT 1/2 SAE PLT		
31.	803-036C	NUT HEX JAM 1/2-13 PLT		

# 1500 Small Seeds Box With Fertilizer

(Applies to 1500 (1994+) only)



13756



## 1500 Small Seeds Box With Fertilizer

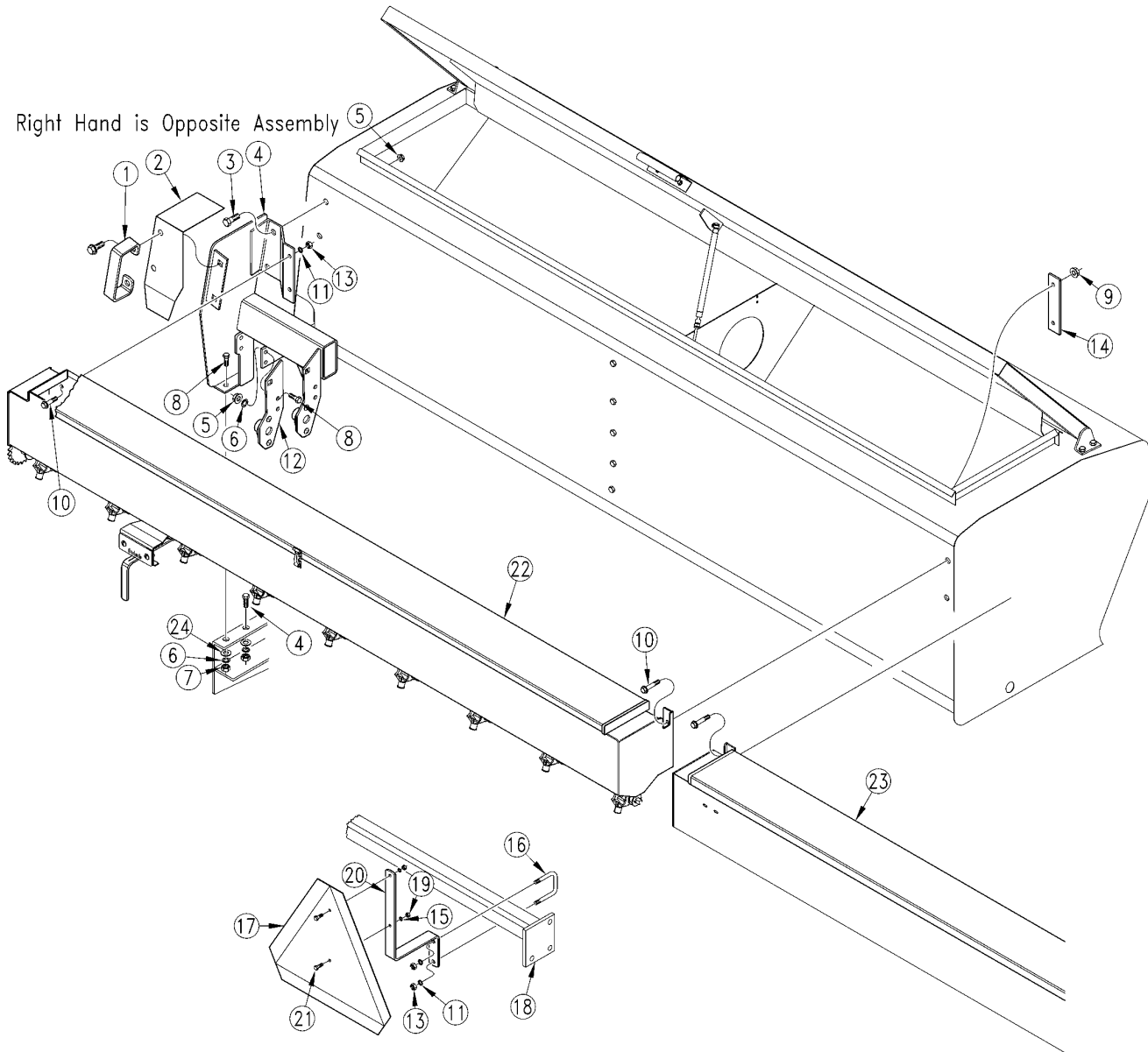
---

(Applies to 1500 (1994+) only)

Ref	Part No.	Part Description	Comments	Revision
	dwg13756	Image No.		
1.	119-190D	HANDLE		
2.	123-827H	3PT SML SDS BOX MNT LH W/DRIVE		
3.	802-258C	HHCS 1/2-13X1 GR5		
4.	123-491D	HANDLE MOUNT LH CHAIN GAURD		
5.	123-561D	SMALL SEEDS BOX MOUNT SPACER		
6.	802-038C	HHCS 1/2-13X2 1/4 GR5		
7.	803-169C	NUT HEX FLG. LOCK 1/2-13 PLT.		
8.	802-388C	HFS 3/8-16X1 GR5		
9.	123-774H	3PT 15'-6 SML SDS BOX LH		
9.	123-776H	3PT 15'-7 SML SDS BOX LH		
9.	123-778H	3PT 15'-7 1/2 SML SDS BOX LH		
9.	123-780H	3PT 15'-8 SML SDS BOX LH		
9.	123-782H	3PT 15'-10 SML SDS BOX LH		
10.	123-775H	3PT 15'-6 SML SDS BOX RH		
10.	123-777H	3PT 15'-7 SML SDS BOX RH		
10.	123-779H	3PT 15'-7 1/2 SML SDS BOX RH		
10.	123-781H	3PT 15'-8 SML SDS BOX RH		
10.	123-783H	3PT 15'-10 SML SDS BOX RH		
11.	802-467C	HFS 3/8-16X2 GR5		
12.	804-011C	WASHER FLAT 3/8 USS PLT		
13.	123-532D	FLEX COUPLER 3/8 SQUARE BORE		
14.	801-035C	SCREW SET 5/16-18 SKT KP X 3/8		
15.	123-829H	3PT SML SDS BOX MNT RH NON DRV		
16.	123-492D	HANDLE MOUNT RH CHAIN GUARD		
17.	804-015C	WASHER LOCK SPRING 1/2 PLT		
18.	803-020C	NUT HEX 1/2-13 PLT		
19.	803-006C	NUT-HEX 1/4-20 PLT		
20.	804-006C	WASHER LOCK SPRING 1/4 PLT		
21.	803-014C	NUT HEX 3/8-16 PLT		
22.	804-013C	WASHER LOCK SPRING 3/8 PLT		
23.	803-209C	NUT FLANGE LOCK 3/8-16 PLT		
24.	818-055C	DECAL SLOW MOVING-GALV. BACKED		
25.	801-018C	SCREW RD HD 1/4-20 X 5/8		
26.	890-153C	SMV MOUNTING BLADE		
27.	804-016C	WASHER FLAT 1/2 SAE PLT		

## 2000 Small Seeds Box Mount

(Applies to 2000 (1994+) only)



13761

## 2000 Small Seeds Box Mount

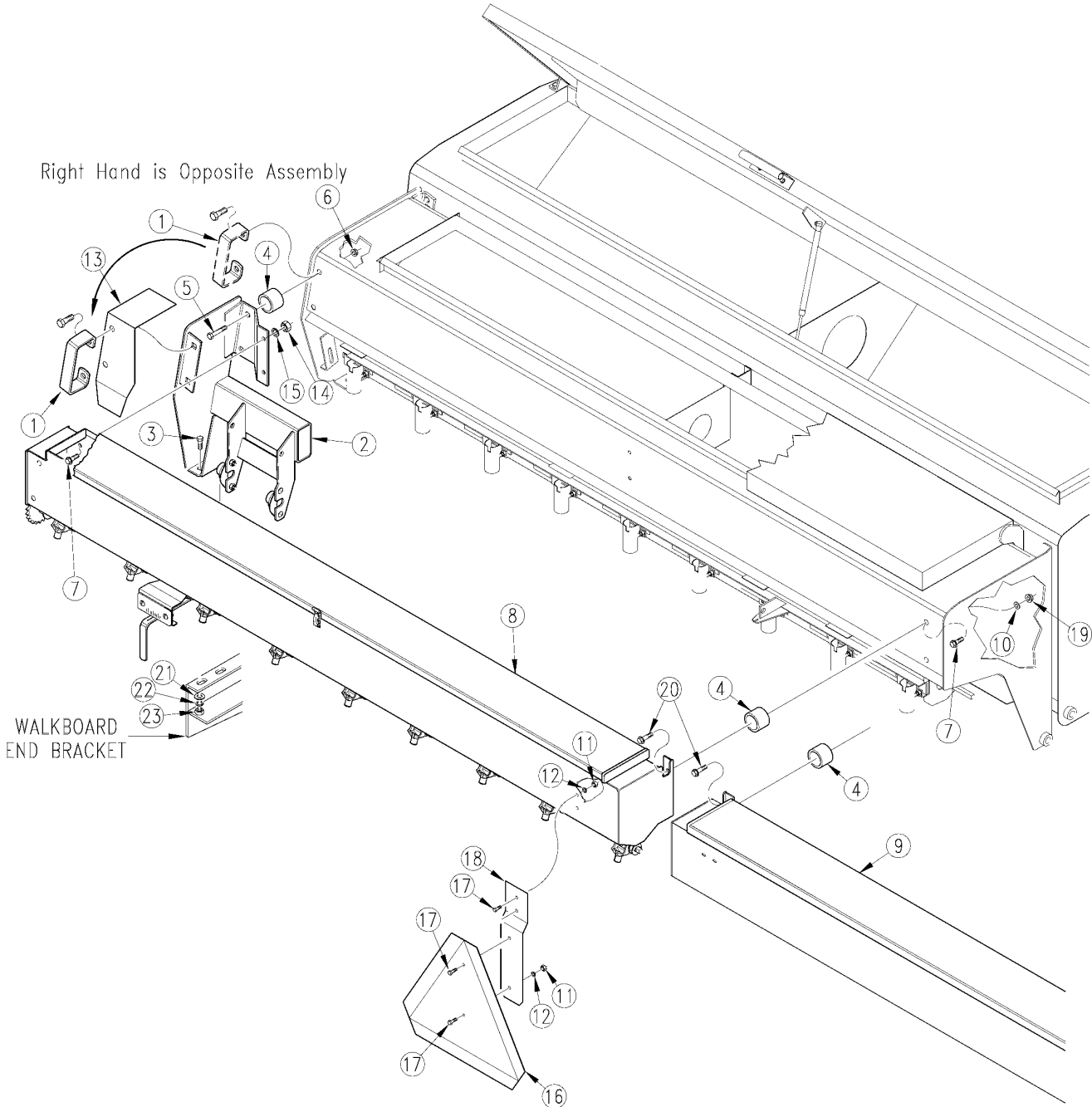
---

(Applies to 2000 (1994+) only)

Ref	Part No.	Part Description	Comments	Revision
	dwg13761	Image No.		
1.	119-190D	HANDLE		
2.	123-491D	HANDLE MOUNT LH CHAIN GAURD		
3.	802-034C	HHCS 1/2-13X1 1/4 GR5		
4.	123-827H	3PT SML SDS BOX MNT LH W/DRIVE		
4.	123-828H	3PT SML SDS BOX MNT RH W/DRIVE		
5.	803-169C	NUT HEX FLG. LOCK 1/2-13 PLT.		
6.	804-015C	WASHER LOCK SPRING 1/2 PLT		
7.	803-020C	NUT HEX 1/2-13 PLT		
8.	802-258C	HHCS 1/2-13X1 GR5		
9.	803-209C	NUT FLANGE LOCK 3/8-16 PLT		
10.	802-388C	HFS 3/8-16X1 GR5		
11.	804-013C	WASHER LOCK SPRING 3/8 PLT		
12.	123-482D	BRG PLATE		
13.	803-014C	NUT HEX 3/8-16 PLT		
14.	123-520D	SEED BOX REINFORCEMENT STRAP		
15.	804-006C	WASHER LOCK SPRING 1/4 PLT		
16.	806-004C	U-BOLT 3/8-16 X 2 X 2 3/4		
17.	818-055C	DECAL SLOW MOVING-GALV. BACKED		
18.		REAR 2" X 2" STEP MOUNTING TUBE		
19.	803-006C	NUT-HEX 1/4-20 PLT		
20.	123-523D	SMV MOUNT BRACKET		
21.	801-018C	SCREW RD HD 1/4-20 X 5/8		
22.	123-784H	3PT 20'-6 SML SDS BOX LH		
22.	123-786H	3PT 20'-7 SML SDS BOX LH		
22.	123-788H	3PT 20'-7 1/2 SML SDS BOX LH		
22.	123-790H	3PT 20'-8 SML SDS BOX LH		
22.	123-792H	3PT 20'-10 SML SDS BOX LH		
23.	123-785H	3PT 20'-6 SML SDS BOX RH		
23.	123-787H	3PT 20'-7 SML SDS BOX RH		
23.	123-789H	3PT 20'-7 1/2 SML SDS BOX RH		
23.	123-791H	3PT 20'-8 SML SDS BOX RH		
23.	123-793H	3PT 20'-10 SML SDS BOX RH		
24.	804-016C	WASHER FLAT 1/2 SAE PLT		

**2000 Small Seeds Box With Fertilizer**

(Applies to 2000 (1994+) only)



13757

## 2000 Small Seeds Box With Fertilizer

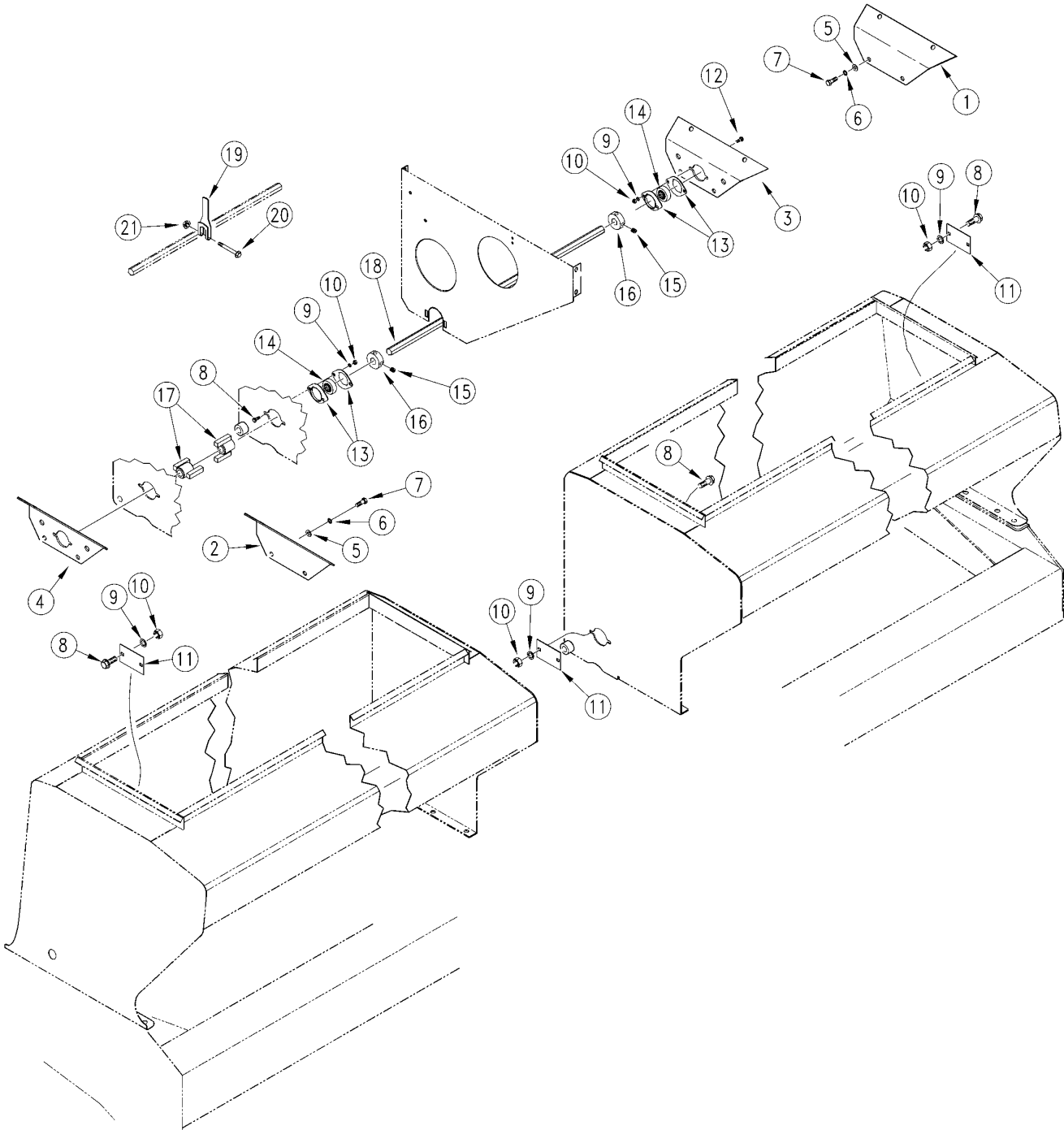
---

(Applies to 2000 (1994+) only)

Ref	Part No.	Part Description	Comments	Revision
	dwg13757	Image No.		
1.	119-190D	HANDLE		
2.	123-827H	3PT SML SDS BOX MNT LH W/DRIVE		
2.	123-828H	3PT SML SDS BOX MNT RH W/DRIVE		
3.	802-258C	HHCS 1/2-13X1 GR5		
4.	123-561D	SMALL SEEDS BOX MOUNT SPACER		
5.	802-038C	HHCS 1/2-13X2 1/4 GR5		
6.	803-169C	NUT HEX FLG. LOCK 1/2-13 PLT.		
7.	802-388C	HFS 3/8-16X1 GR5		
8.	123-784H	3PT 20'-6 SML SDS BOX LH		
8.	123-786H	3PT 20'-7 SML SDS BOX LH		
8.	123-788H	3PT 20'-7 1/2 SML SDS BOX LH		
8.	123-790H	3PT 20'-8 SML SDS BOX LH		
8.	123-792H	3PT 20'-10 SML SDS BOX LH		
9.	123-785H	3PT 20'-6 SML SDS BOX RH		
9.	123-787H	3PT 20'-7 SML SDS BOX RH		
9.	123-789H	3PT 20'-7 1/2 SML SDS BOX RH		
9.	123-791H	3PT 20'-8 SML SDS BOX RH		
9.	123-793H	3PT 20'-10 SML SDS BOX RH		
10.	804-011C	WASHER FLAT 3/8 USS PLT		
11.	803-006C	NUT-HEX 1/4-20 PLT		
12.	804-006C	WASHER LOCK SPRING 1/4 PLT		
13.	123-491D	HANDLE MOUNT LH CHAIN GAURD		
14.	803-014C	NUT HEX 3/8-16 PLT		
15.	804-013C	WASHER LOCK SPRING 3/8 PLT		
16.	818-055C	DECAL SLOW MOVING-GALV. BACKED		
17.	801-018C	SCREW RD HD 1/4-20 X 5/8		
18.	890-153C	SMV MOUNTING BLADE		
19.	803-209C	NUT FLANGE LOCK 3/8-16 PLT		
20.	802-467C	HFS 3/8-16X2 GR5		
21.	804-016C	WASHER FLAT 1/2 SAE PLT		
22.	804-015C	WASHER LOCK SPRING 1/2 PLT		
23.	803-020C	NUT HEX 1/2-13 PLT		

### Agitator Assembly (Option)

(Applies to 1200 (1994+), 1500 (1994+), 2000 (1994+) only)



12693



## **Agitator Assembly (Option)**

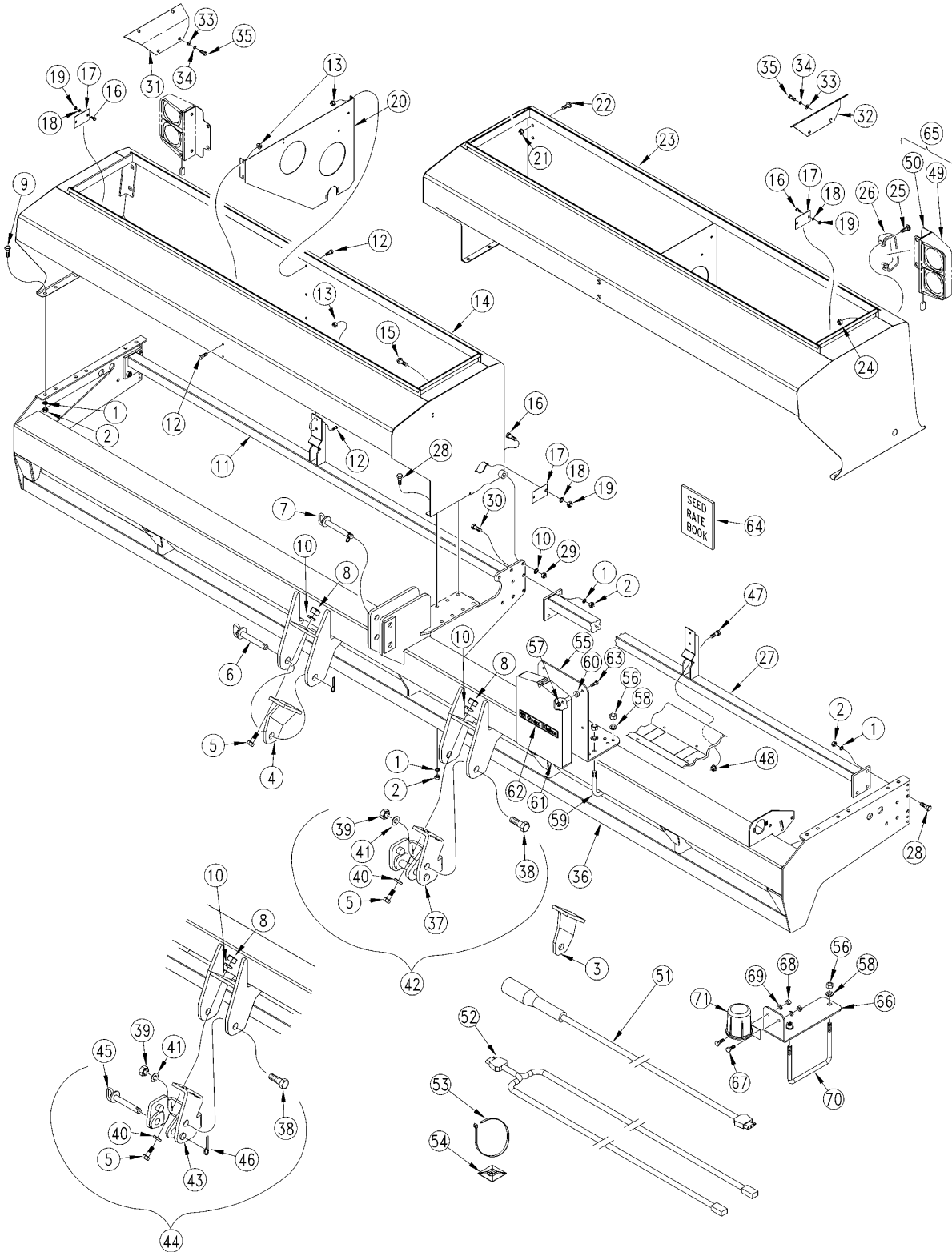
**(Applies to 1200 (1994+), 1500 (1994+), 2000 (1994+) only)**

<b>Ref</b>	<b>Part No.</b>	<b>Part Description</b>	<b>Comments</b>	<b>Revision</b>
	dwg12693	Image No.		
1.	118-486D	SEED BOX IDLER COVER LH	1/31/2002 -	
2.	118-487D	SEED BOX IDLER COVER RH	1/31/2002 -	
3.	118-488D	AGITATOR IDLER MOUNT& COVER LH	1/31/2002 -	
4.	118-489D	AGITATOR IDLER MOUNT& COVER RH	1/31/2002 -	
5.	804-011C	WASHER FLAT 3/8 USS PLT		
6.	804-013C	WASHER LOCK SPRING 3/8 PLT		
7.	802-079C	HHCS 3/8-16X1 1/4 GR5		
8.	802-092C	RHSNB 5/16-18X3/4 GR5		
9.	804-009C	WASHER LOCK SPRING 5/16 PLT		
10.	803-008C	NUT HEX 5/16-18 PLT		
11.	118-403D	BEARING CUTOOUT COVER, 47 MST	2/1/2002 +	
12.	802-282C	RHSNB 5/16-18X1 GR5		
13.	822-041C	FLANGETTE 47 MST		
14.	822-128C	BRG INS 3/4HEXX1.85OD SPH		
15.	801-035C	SCREW SET 5/16-18 SKT KP X 3/8		
16.	118-494D	LOCK COLLAR 3/4 HEX BORE		
17.	118-418H	FLEX COUPLER SHORT 3/4HEX BORE		
18.	118-495D	AGITATOR SHAFT,3/4 HEX 12'BOX		
18.	118-496D	AGITATOR SHAFT,3/4 HEX 15'BOX		
18.	118-497D	AGITATOR SHAFT,3/4 HEX 20'BOX		
19.	118-493D	AGITATOR PADDLE 3/4 HEX		
20.	802-448C	HFSS 1/4-20X2 GR5		
21.	803-088C	NUT HEX LOCK 1/4-20 FLG		

# Table of Contents Part Number Index

## Box to Frame (1200 S/N 1774D-)(1500 S/N 11780C-)(2000 S/N 8961B-)

(Applies to 1200 (1994+), 1500 (1994+), 2000 (1994+) only)



11971

## Table of Contents    Part Number Index

Box Assembly

### **Box to Frame (1200 S/N 1774D-)(1500 S/N 11780C-)(2000 S/N 8961B-)**

**(Applies to 1200 (1994+), 1500 (1994+), 2000 (1994+) only)**

Ref	Part No.	Part Description	Comments	Revision
	dwg11971	Image No.		
1.	804-015C	WASHER LOCK SPRING 1/2 PLT		
2.	803-020C	NUT HEX 1/2-13 PLT		
3.	117-031H	LWR HITCH PIN SUPPORT WLDMT LH		
4.	117-030H	LWR HITCH PIN SUPPORT WLDMT RH		
5.	802-055C	HHCS 5/8-11X2 GR5		2nd Revision.
5.	802-053C	HHCS 5/8-11X1 3/4 GR5		Use up existing stock; 1st Revision.
6.	805-215C	PIN 1 1/8 X 7 1/2 USABLE		
7.	805-077C	PIN HITCH 1 X 4 1/2 USABLE LG		
8.	803-021C	NUT HEX 5/8-11 PLT		
9.	802-258C	HHCS 1/2-13X1 GR5		
10.	804-022C	WASHER LOCK SPRING 5/8 PLT		
11.	117-034H	CASTING BCKT REAR MNT.TB 12'		
11.	117-036H	CASTING BCKT REAR MNT TB 15'RH		
11.	117-038H	CASTING BCKT REAR MNT TB 20'RH		
12.	802-387C	HFS 5/16-18X3/4 GR5		
13.	803-199C	NUT HEX FLANGE 5/16-18 PLT		
14.	118-452H	20' SEED BOX RH		
14.	118-453H	15' SEED BOX RH		
14.	118-415H	12' SEED BOX		
15.	802-092C	RHSNB 5/16-18X3/4 GR5		
16.	802-059C	HHCS 5/8-11X3 GR5		
17.	118-403D	BEARING CUTOOUT COVER, 47 MST	2/1/2002+	
18.	804-009C	WASHER LOCK SPRING 5/16 PLT		
19.	803-008C	NUT HEX 5/16-18 PLT		
20.	118-402D	SEED BOX PARTITION		
21.	803-209C	NUT FLANGE LOCK 3/8-16 PLT		
22.	802-388C	HFS 3/8-16X1 GR5		
23.	118-413H	20' SEED BOX LH		
23.	118-414H	15' SEED BOX LH		
23.	118-415H	12' SEED BOX		
24.	803-169C	NUT HEX FLG. LOCK 1/2-13 PLT.		
25.	802-203C	HFSS 1/2-13X1 1/2 GR5		
26.	119-190D	HANDLE		
27.	117-034H	CASTING BCKT REAR MNT.TB 12'		
27.	117-035H	CASTING BCKT REAR MNT TB 15'LH		
27.	117-037H	CASTING BCKT REAR MNT TB 20'LH		
28.	802-034C	HHCS 1/2-13X1 1/4 GR5		
29.	803-021C	NUT HEX 5/8-11 PLT		
30.	802-082C	HHCS 1/2-13X1 3/4 GR5		
31.	118-487D	SEED BOX IDLER COVER RH	1/31/2002-	
32.	118-486D	SEED BOX IDLER COVER LH	1/31/2002-	
33.	804-011C	WASHER FLAT 3/8 USS PLT		
34.	804-013C	WASHER LOCK SPRING 3/8 PLT		
35.	802-079C	HHCS 3/8-16X1 1/4 GR5		
36.	117-033H	FRAME 3PT 12'		
36.	117-028H	FRAME 3PT 15'		
36.	117-029H	FRAME 3PT 20'		
37.	148-238H	3-PT EXT F/ 10 SERIES OPNR LH		
37.	148-239H	3-PT EXT F/ 10 SERIES OPNR RH		
38.	802-441C	HHCS 1 1/8-7X2 1/2 GR5		
39.	803-099C	NUT HEX 1 1/8-7 PLT		
40.	804-019C	WASHER FLAT 5/8 USS PLT		
41.	804-067C	WASHER LOCK 1 1/8		
42.	148-240A	3-PT EXT KIT F/ 10 SERIES OPNR		
43.	117-039H	3PT LIFT EXT.FOR QUICK HTCH LH		
43.	117-040H	3PT LIFT EXT.FOR QUICK HTCH RH		

## Table of Contents    Part Number Index

### **Box to Frame (1200 S/N 1774D-)(1500 S/N 11780C-)(2000 S/N 8961B-) (continued)**

**(Applies to 1200 (1994+), 1500 (1994+), 2000 (1994+) only)**

<b>Ref</b>	<b>Part No.</b>	<b>Part Description</b>	<b>Comments</b>	<b>Revision</b>
44.	117-041A	3PT LIFT EXT.F/QUICK HTCH PCKG		
45.	805-168C	PIN HITCH 1 7/16 X 8 3/8 PLT		
46.	805-105C	PIN COTTER 1/4 X 2 1/2 PLT		
47.	802-257C	HFSS 1/4-20X3/4 GR5		
48.	803-088C	NUT HEX LOCK 1/4-20 FLG		
49.	890-311C	DUAL AG LIGHTS LH		
49.	890-312C	DUAL AG LIGHTS RH		
50.	150-138D	12' EWNT LIGHT BRACKET		
51.	890-640C	LIGHT HARNESS, 5' LEAD		
52.	890-390C	LIGHT HARNESS, 10' WISHBONE	12' & 15' only.	
52.	890-648C	LIGHT HARNESS, 15' WISHBONE	20' only.	
53.	800-112C	CABLE TIE .19X7.25 1.75D 50LB		
54.	800-148C	CABLE TIE MOUNT		
55.	118-653D	12,15, 20 3PT MANUAL PAK MOUNT		
56.	803-014C	NUT HEX 3/8-16 PLT		
57.	803-293C	NUT HEX FLNG T-LOCK 1/4-20 YLW		
58.	804-013C	WASHER LOCK SPRING 3/8 PLT		
59.	806-051C	U-BOLT 3/8-16 X 6 1/32 X 7		
60.	817-042C	MINI END WHEEL PRESS WHEEL		
61.	817-516C	MANUAL PAK 1" W/ GASKET		
62.	838-482C	DECAL GP PLANTING COMPONENTS		
63.	802-005C	HHCS 1/4-20X1 GR5		
64.	118-389B	12,15, 20 SEEDRATE BOOK		
65.	118-841A	12 & 15 FT 3PT LIGHT KIT	12' S/N1542D+ & 15' S/N10588C+ includes items 49-54.	
65.	118-842A	20 FT 3PT LIGHT KIT	20' S/N6990B+ includes items 49-54.	
66.	117-054D	3PT 7 PIN HOLDER		
67.	802-004C	HHCS 1/4-20X3/4 GR5		
68.	803-006C	NUT HEX 1/4-20 PLT		
69.	804-006C	WASHER LOCK SPRING 1/4 PLT		
70.	806-165C	U-BOLT 3/8-16 X 5 1/32 X 4 1/4		
71.	833-492C	7-PIN CONNECTOR HOLDER		

**Box to Frame (1200 S/N 1774D-)(1500 S/N 11780C-)(2000 S/N 8961B-)  
(continued)**

---

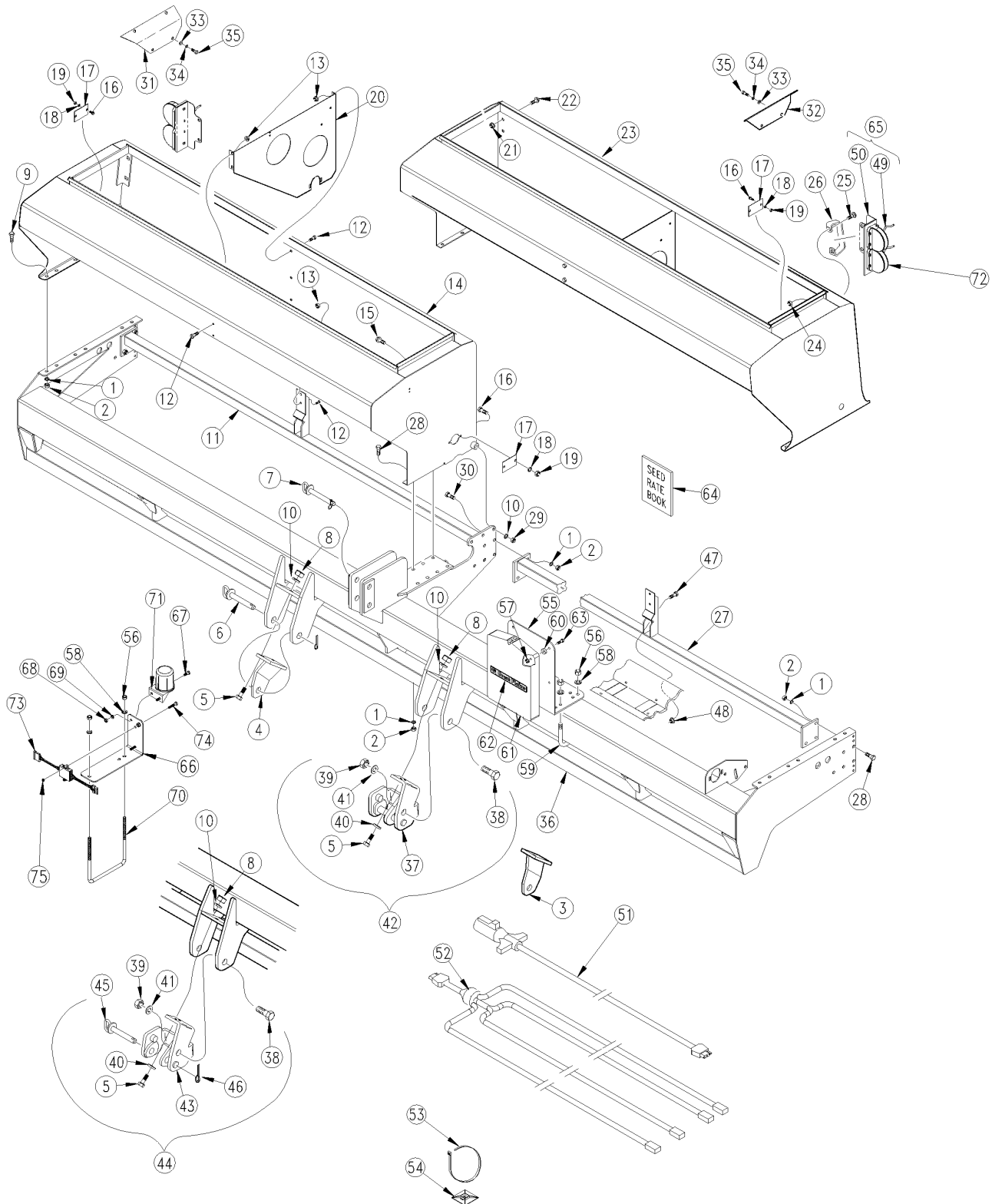
(Applies to 1200 (1994+), 1500 (1994+), 2000 (1994+) only)

*This Page Intentionally Left Blank*

# Table of Contents Part Number Index

## Box to Frame (1200 S/N 1775D+) (1500 S/N 11781C+) (2000 S/N 8962B+)

(Applies to 1200 (1994+), 1500 (1994+), 2000 (1994+) only)



36034



## Table of Contents    Part Number Index

Box Assembly

### **Box to Frame (1200 S/N 1775D+) (1500 S/N 11781C+) (2000 S/N 8962B+)**

**(Applies to 1200 (1994+), 1500 (1994+), 2000 (1994+) only)**

Ref	Part No.	Part Description	Comments	Revision
	dwg36034	Image No.		
1.	804-015C	WASHER LOCK SPRING 1/2 PLT		
2.	803-020C	NUT HEX 1/2-13 PLT		
3.	117-031H	LWR HITCH PIN SUPPORT WLDMT LH		
4.	117-030H	LWR HITCH PIN SUPPORT WLDMT RH		
5.	802-055C	HHCS 5/8-11X2 GR5		
5.	802-053C	HHCS 5/8-11X1 3/4 GR5		
6.	805-215C	PIN 1 1/8 x 7 1/2 USABLE		
7.	805-077C	PIN HITCH 1 X 4 1/2 USABLE LG		
8.	803-021C	NUT HEX 5/8-11 PLT		
9.	802-258C	HHCS 1/2-13X1 GR5		
10.	804-022C	WASHER LOCK SPRING 5/8 PLT		
11.	117-034H	CASTING BCKT REAR MNT.TB 12'		
11.	117-036H	CASTING BCKT REAR MNT TB 15'RH		
11.	117-038H	CASTING BCKT REAR MNT TB 20'RH		
12.	802-387C	HFS 5/16-18X3/4 GR5		
13.	803-199C	NUT HEX FLANGE 5/16-18 PLT		
14.	118-452H	20' SEED BOX RH		
14.	118-453H	15' SEED BOX RH		
14.	118-415H	12' SEED BOX		
15.	802-092C	RHSNB 5/16-18X3/4 GR5		
16.	802-059C	HHCS 5/8-11X3 GR5		
17.	118-403D	BEARING CUTOOUT COVER, 47 MST	2/1/2002 +	
18.	804-009C	WASHER LOCK SPRING 5/16 PLT		
19.	803-008C	NUT HEX 5/16-18 PLT		
20.	118-402D	SEED BOX PARTITION		
21.	803-209C	NUT FLANGE LOCK 3/8-16 PLT		
22.	802-388C	HFS 3/8-16X1 GR5		
23.	118-413H	20' SEED BOX LH		
23.	118-414H	15' SEED BOX LH		
23.	118-415H	12' SEED BOX		
24.	803-169C	NUT HEX FLG. LOCK 1/2-13 PLT.		
25.	802-203C	HFSS 1/2-13X1 1/2 GR5		
26.	119-190D	HANDLE		
27.	117-034H	CASTING BCKT REAR MNT.TB 12'		
27.	117-035H	CASTING BCKT REAR MNT TB 15'LH		
27.	117-037H	CASTING BCKT REAR MNT TB 20'LH		
28.	802-034C	HHCS 1/2-13X1 1/4 GR5		
29.	803-021C	NUT HEX 5/8-11 PLT		
30.	802-082C	HHCS 1/2-13X1 3/4 GR5		
31.	118-487D	SEED BOX IDLER COVER RH	1/31/2002 -	
32.	118-486D	SEED BOX IDLER COVER LH	1/31/2002 -	
33.	804-011C	WASHER FLAT 3/8 USS PLT		
34.	804-013C	WASHER LOCK SPRING 3/8 PLT		
35.	802-079C	HHCS 3/8-16X1 1/4 GR5		
36.	117-033H	FRAME 3PT 12'		
36.	117-028H	FRAME 3PT 15'		
36.	117-029H	FRAME 3PT 20'		
37.	148-238H	3-PT EXT F/ 10 SERIES OPNR LH		
37.	148-239H	3-PT EXT F/ 10 SERIES OPNR RH		
38.	802-441C	HHCS 1 1/8-7X2 1/2 GR5		
39.	803-099C	NUT HEX 1 1/8-7 PLT		
40.	804-019C	WASHER FLAT 5/8 USS PLT		
41.	804-067C	WASHER LOCK 1 1/8		
42.	148-240A	3-PT EXT KIT F/ 10 SERIES OPNR		
43.	117-039H	3PT LIFT EXT.FOR QUICK HTCH LH		
43.	117-040H	3PT LIFT EXT.FOR QUICK HTCH RH		
44.	117-041A	3PT LIFT EXT.F/QUICK HTCH PCKG		

[Table of Contents](#)    [Part Number Index](#)

**Box to Frame (1200 S/N 1775D+) (1500 S/N 11781C+) (2000 S/N 8962B+)**  
**(continued)**

---

<b>(Applies to 1200 (1994+), 1500 (1994+), 2000 (1994+) only)</b>				
<b>Ref</b>	<b>Part No.</b>	<b>Part Description</b>	<b>Comments</b>	<b>Revision</b>
45.	805-168C	PIN HITCH 1 7/16 X 8 3/8 PLT		
46.	805-105C	PIN COTTER 1/4 X 2 1/2 PLT		
47.	802-257C	HFSS 1/4-20X3/4 GR5		
48.	803-088C	NUT HEX LOCK 1/4-20 FLG		
49.	833-696C	LIGHT, RED LAMP - LED		
50.	150-138D	12' EWNT LIGHT BRACKET		
51.	833-689C	LIGHT HARNESS, 5' LEAD - LED		
52.	833-690C	LIGHT HARNESS 15' WISHBONE LED		
52.	833-683C	LIGHT HRNSS, 10' WISHBONE -LED		
53.	800-112C	CABLE TIE .19X7.25 1.75D 50LB		
54.	800-148C	CABLE TIE MOUNT		
55.	118-653D	12,15, 20 3PT MANUAL PAK MOUNT		
56.	803-014C	NUT HEX 3/8-16 PLT		
57.	803-293C	NUT HEX FLNG T-LOCK 1/4-20 PLT		
58.	804-013C	WASHER LOCK SPRING 3/8 PLT		
59.	806-051C	U-BOLT 3/8-16 X 6 1/32 X 7		
60.	817-042C	MINI END WHEEL PRESS WHEEL		
61.	817-516C	MANUAL PAK 1" W/ GASKET		
62.	838-482C	DECAL GP PLANTING COMPONENTS		
63.	802-005C	HHCS 1/4-20X1 GR5		
64.	118-389B	12,15, 20 SEEDRATE BOOK		
65.	118-841A	12 & 15 FT 3PT LIGHT KIT		
65.	118-842A	20FT 3PT LIGHT KIT		
66.	117-054D	3PT 7 PIN HOLDER		
67.	802-004C	HHCS 1/4-20X3/4 GR5		
68.	803-006C	NUT HEX 1/4-20 PLT		
69.	804-006C	WASHER LOCK SPRING 1/4 PLT		
70.	806-165C	U-BOLT 3/8-16 X 5 1/32 X 4 1/4		
71.	833-492C	7-PIN CONNECTOR HOLDER		
72.	833-697C	LIGHT, AMBER LAMP LED		
73.	833-694C	LIGHT HRNSS ENHANCE MODULE LED		
74.	802-224C	HHCS 1/4-20X1 1/4 GR5		
75.	803-230C	NUT HEX FLANGE 1/4-20 PLT		

***Box to Frame (1200 S/N 1775D+) (1500 S/N 11781C+) (2000 S/N 8962B+)***  
***(continued)***

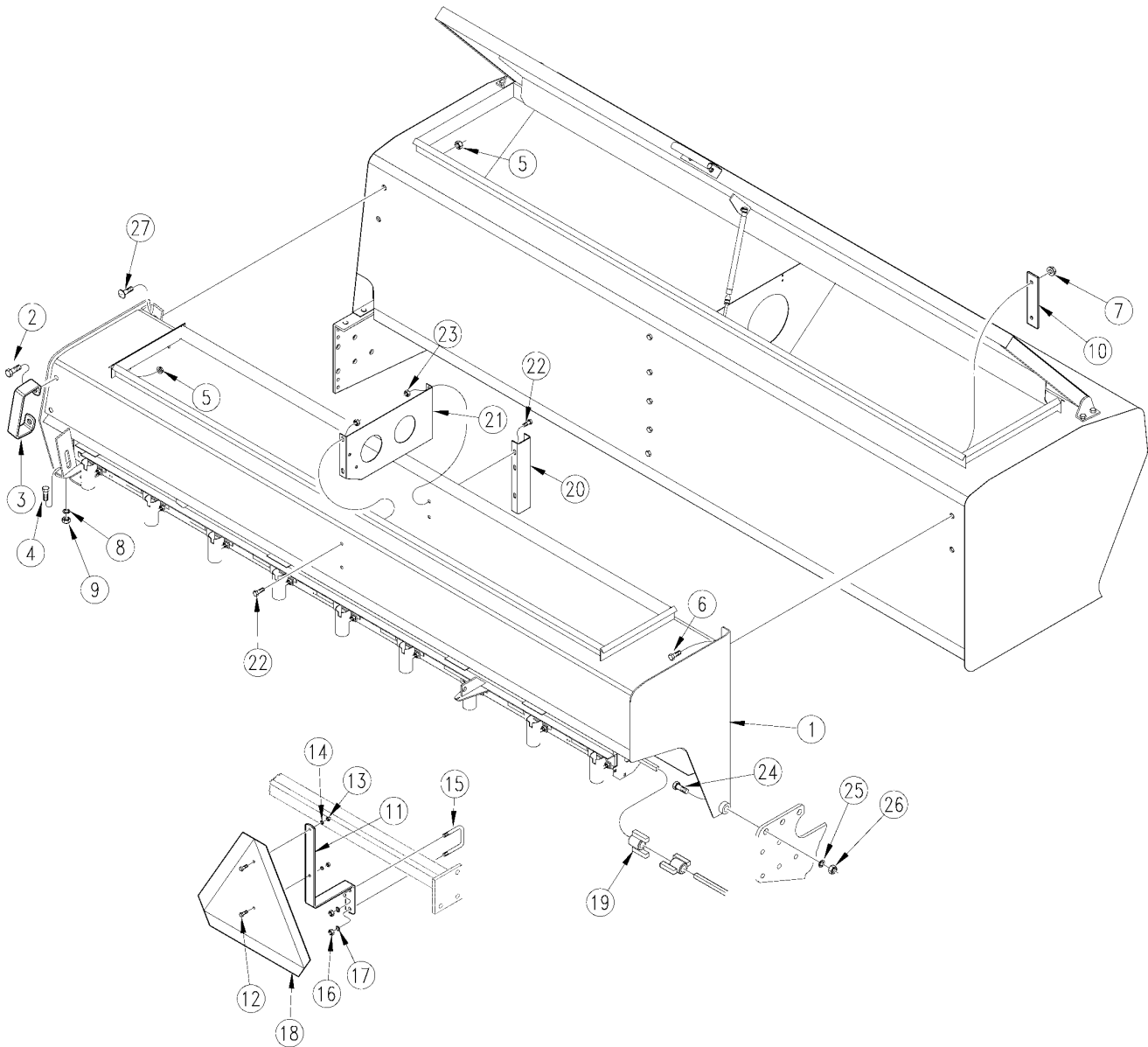
---

(Applies to 1200 (1994+), 1500 (1994+), 2000 (1994+) only)

***This Page Intentionally Left Blank***

## Fertilizer Box Mount

(Applies to 1200 (1994+), 1500 (1994+), 2000 (1994+) only)



12439

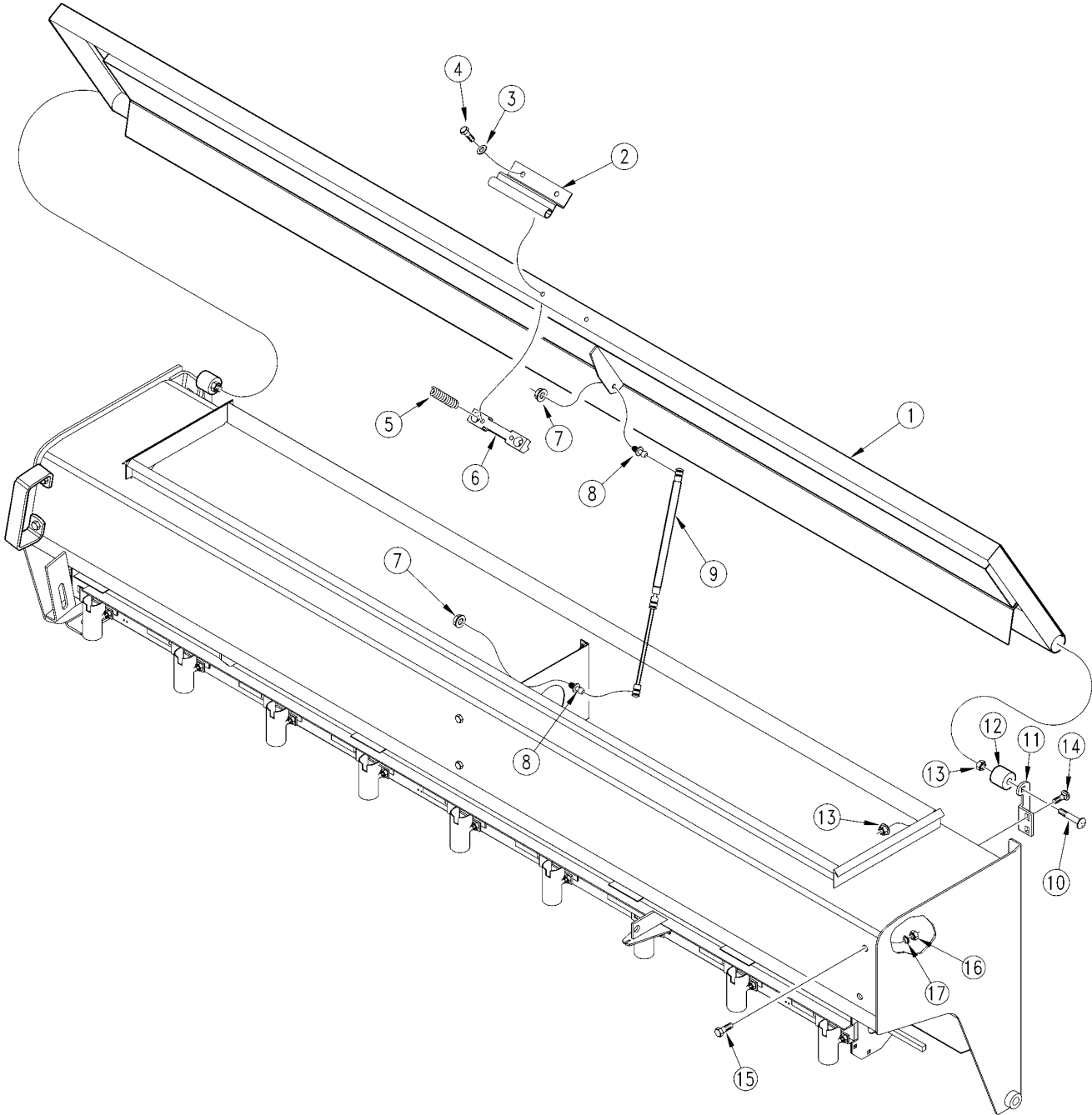
## **Fertilizer Box Mount**

**(Applies to 1200 (1994+), 1500 (1994+), 2000 (1994+) only)**

<b>Ref</b>	<b>Part No.</b>	<b>Part Description</b>	<b>Comments</b>	<b>Revision</b>
	dwg12439	Image No.		
1.	142-582H	3PT 20' FERT BOX L.H.		
1.	142-583H	3PT 20' FERT BOX R.H.		
1.	142-584H	3PT 15' FERT BOX L.H.		
1.	142-585H	3PT 15' FERT BOX R.H.		
1.	142-615H	3PT 12' FERT BOX		
2.	802-203C	HFSS 1/2-13X1 1/2 GR5		
3.	119-190D	HANDLE		
4.	802-258C	HHCS 1/2-13X1 GR5		
5.	803-169C	NUT HEX FLG. LOCK 1/2-13 PLT.		
6.	802-388C	HFS 3/8-16X1 GR5		
7.	803-209C	NUT FLANGE LOCK 3/8-16 PLT		
8.	804-015C	WASHER LOCK SPRING 1/2 PLT		
9.	803-020C	NUT HEX 1/2-13 PLT		
10.	123-520D	SEED BOX REINFORCEMENT STRAP		
11.	123-524D	SMV MOUNT BRACKET, EXTENDED		
12.	801-018C	SCREW RD HD 1/4-20 X 5/8		
13.	803-006C	NUT-HEX 1/4-20 PLT		
14.	804-006C	WASHER LOCK SPRING 1/4 PLT		
15.	806-004C	U-BOLT 3/8-16 X 2 X 2 3/4		
16.	803-014C	NUT HEX 3/8-16 PLT		
17.	804-013C	WASHER LOCK SPRING 3/8 PLT		
18.	818-055C	DECAL SLOW MOVING-GALV. BACKED		
19.	142-604H	FLEX COUPLER 2 TAB 3/4 HEXSHFT		
20.	142-256D	FERT BOX MOUNT BRACKET		
21.	142-236D	FERT BOX PARTITION		
22.	802-387C	HFS 5/16-18X3/4 GR5		
23.	803-199C	NUT HEX FLANGE 5/16-18 PLT		
24.	802-059C	HHCS 5/8-11X3 GR5		
25.	804-022C	WASHER LOCK SPRING 5/8 PLT		
26.	803-021C	NUT HEX 5/8-11 PLT		
27.	802-034C	HHCS 1/2-13X1 1/4 GR5		

## Fertilizer Lid Assembly

(Applies to 1200 (1994+), 1500 (1994+), 2000 (1994+) only)



12444



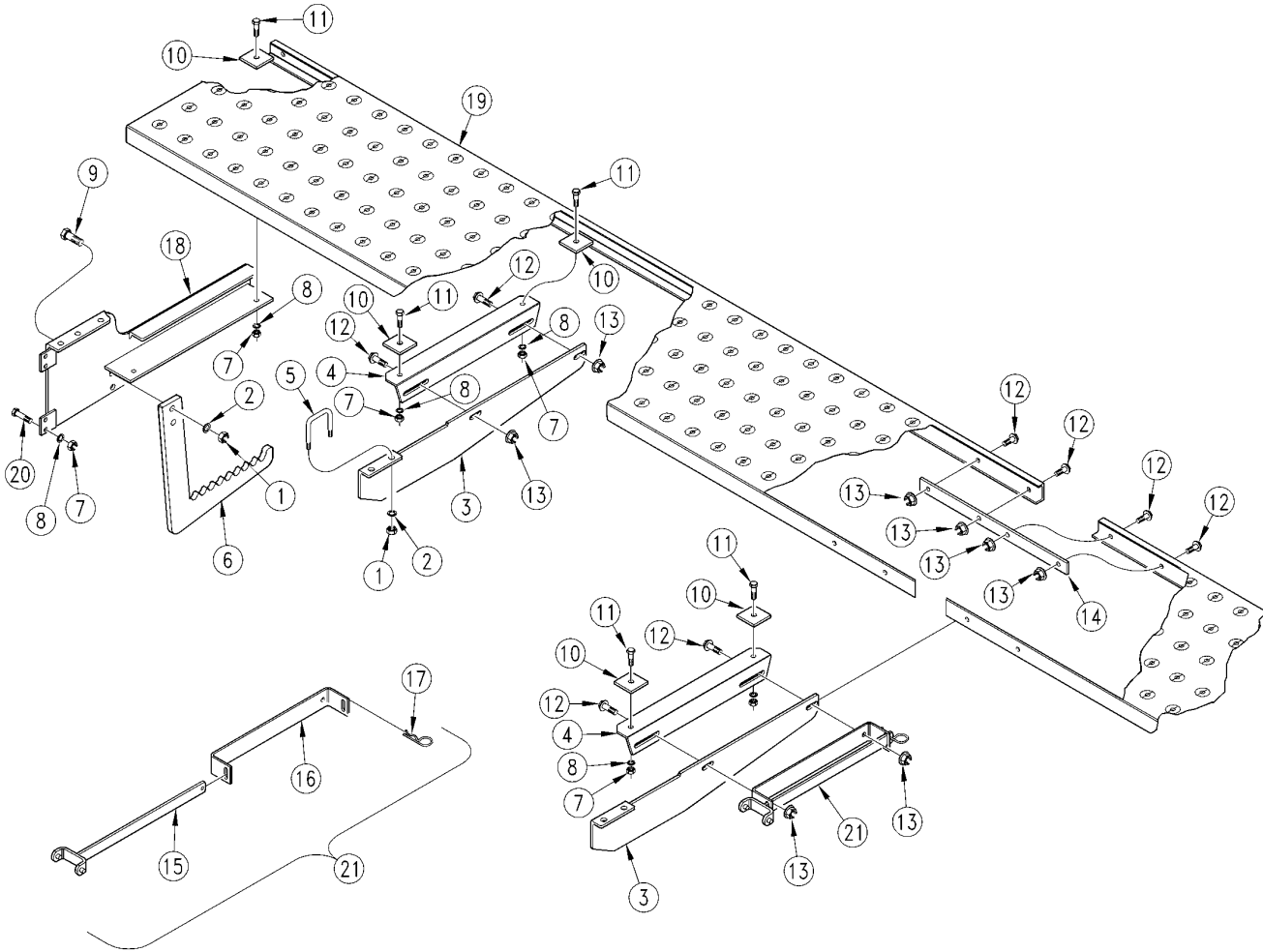
## ***Fertilizer Lid Assembly***

**(Applies to 1200 (1994+), 1500 (1994+), 2000 (1994+) only)**

<b>Ref</b>	<b>Part No.</b>	<b>Part Description</b>	<b>Comments</b>	<b>Revision</b>
	dwg12444	Image No.		
1.	119-232H	LID 106 FERTILIZER		
1.	119-233H	LID 76 7/8 FERTILIZER		
1.	119-234H	LID 126 11/16 FERTILIZER		
2.	142-141D	LID HANDLE		
3.	804-036C	WASHER FLAT 5/16 SAE PLT		2nd rev.
3.	804-010C	WASHER FLAT 5/16 USS PLT	Replaced by 804-036C	Use existing stock; 1st rev.
4.	802-425C	HHCS 5/16-18X1 1/4 NYL		
5.	807-106C	SPRING .540 O.D.X 1 1/4 X.054W		
6.	119-153D	LATCH CASTING MACHINED		
7.	803-011C	NUT LOCK 5/16-18 PLT		
8.	800-121C	BALL STUD 10MM X 5/16-18 X 1/2		
9.	890-308C	9 1/4-15 X 70LB GAS SPRING		
10.	802-411C	RHSNB 3/8-16X2 GR5		
11.	142-263D	FERT BOX LID HINGE L.H.		
11.	142-264D	FERT BOX LID HINGE R.H.		
12.	313-186D	LID HINGE PIVOT		
13.	803-209C	NUT FLANGE LOCK 3/8-16 PLT		
14.	802-015C	RHSNB 3/8-16X1 GR5		
15.	802-388C	HFS 3/8-16X1 GR5		
16.	803-014C	NUT HEX 3/8-16 PLT		
17.	804-013C	WASHER LOCK SPRING 3/8 PLT		

# Fertilizer Walkboard

(Applies to 1500 (1994+), 2000 (1994+) only)



12465

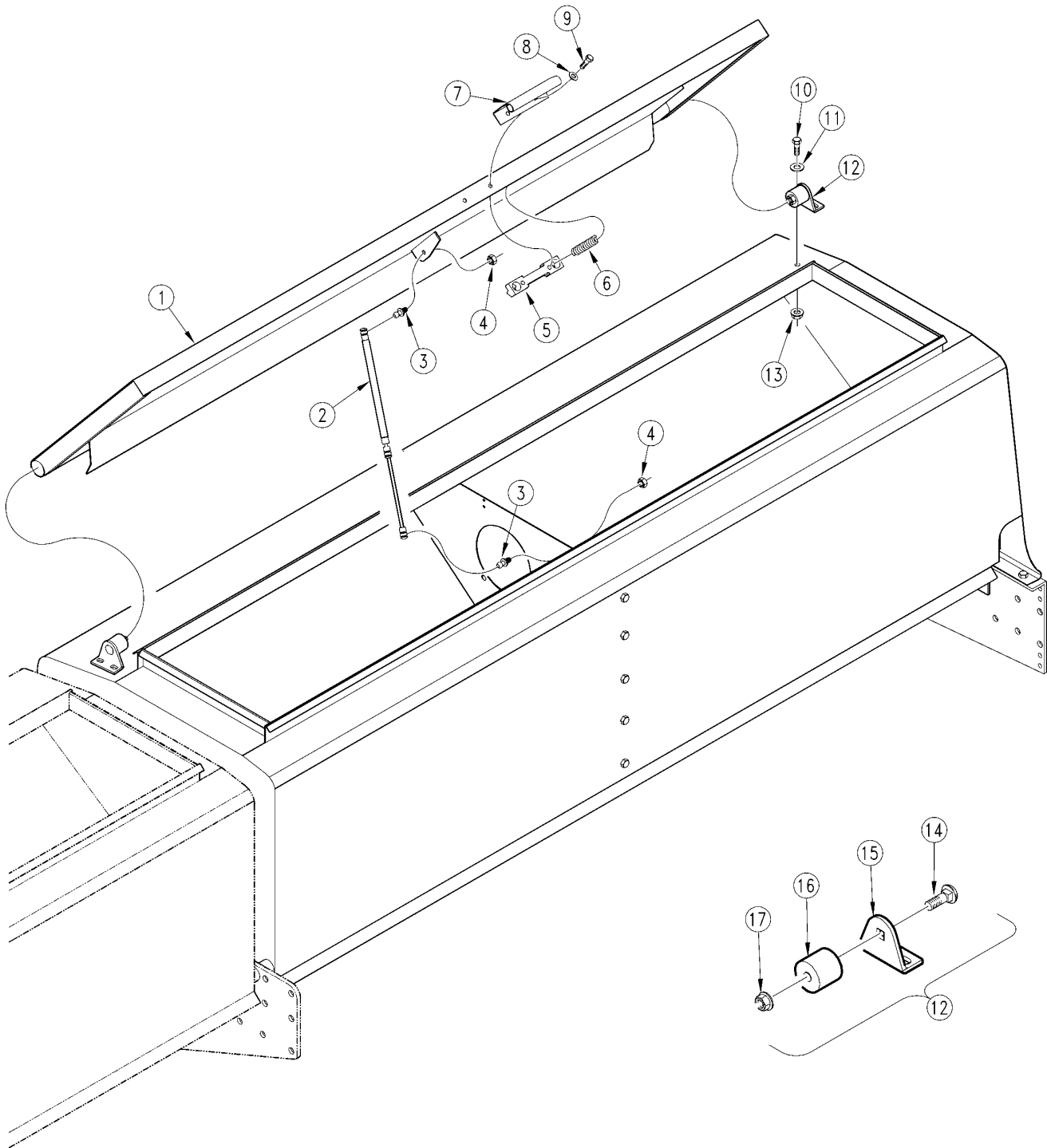
## ***Fertilizer Walkboard***

**(Applies to 1500 (1994+), 2000 (1994+) only)**

<b>Ref</b>	<b>Part No.</b>	<b>Part Description</b>	<b>Comments</b>	<b>Revision</b>
	dwg12465	Image No.		
1.	803-020C	NUT HEX 1/2-13 PLT		
2.	804-015C	WASHER LOCK SPRING 1/2 PLT		
3.	119-168D	WALKBOARD MOUNT ARM, FERT		
4.	119-166D	WALKBOARD MOUNT PLATE, ADAPTOR		
5.	806-005C	U-BOLT 1/2-13 X 2 X 3 GR 5		
6.	119-192D	STEP		
7.	803-014C	NUT HEX 3/8-16 PLT		
8.	804-013C	WASHER LOCK SPRING 3/8 PLT		
9.	802-091C	HHCS 1/2-13X1 1/2 GR5		
10.	119-032D	3-PT STEP RETAINER		
11.	802-079C	HHCS 3/8-16X1 1/4 GR5		
12.	802-388C	HFS 3/8-16X1 GR5		
13.	803-209C	NUT FLANGE LOCK 3/8-16 PLT		
14.	119-163D	WALKBOARD TIE BAR		
15.	198-126H	SPRING ADJUSTMENT TOOL WELD	For 10 Series Openers only.	
16.	119-211D	OPENER HANDLE HOLDER	For 10 Series Openers only.	
17.	805-032C	PIN HAIR COTTER .148 WIRE		
18.	119-235H	WALKBOARD END BRACKET FERT LH		
18.	119-236H	WALKBOARD END BRACKET FERT RH	Shown.	
19.	119-155D	WALKBOARD 3 PT 15'		
19.	119-156D	WALKBOARD 3PT 20'		
19.	119-203D	WALKBOARD 3PT 12'		
20.	802-017C	HHCS 3/8-16X1 GR5		
21.	198-234L	OPENER SPRING ADJUST HANDLE	For 10 Series Openers only.	

## Lid To Box

(Applies to 1200 (1994+), 1500 (1994+), 2000 (1994+) only)



11976

## ***Lid To Box***

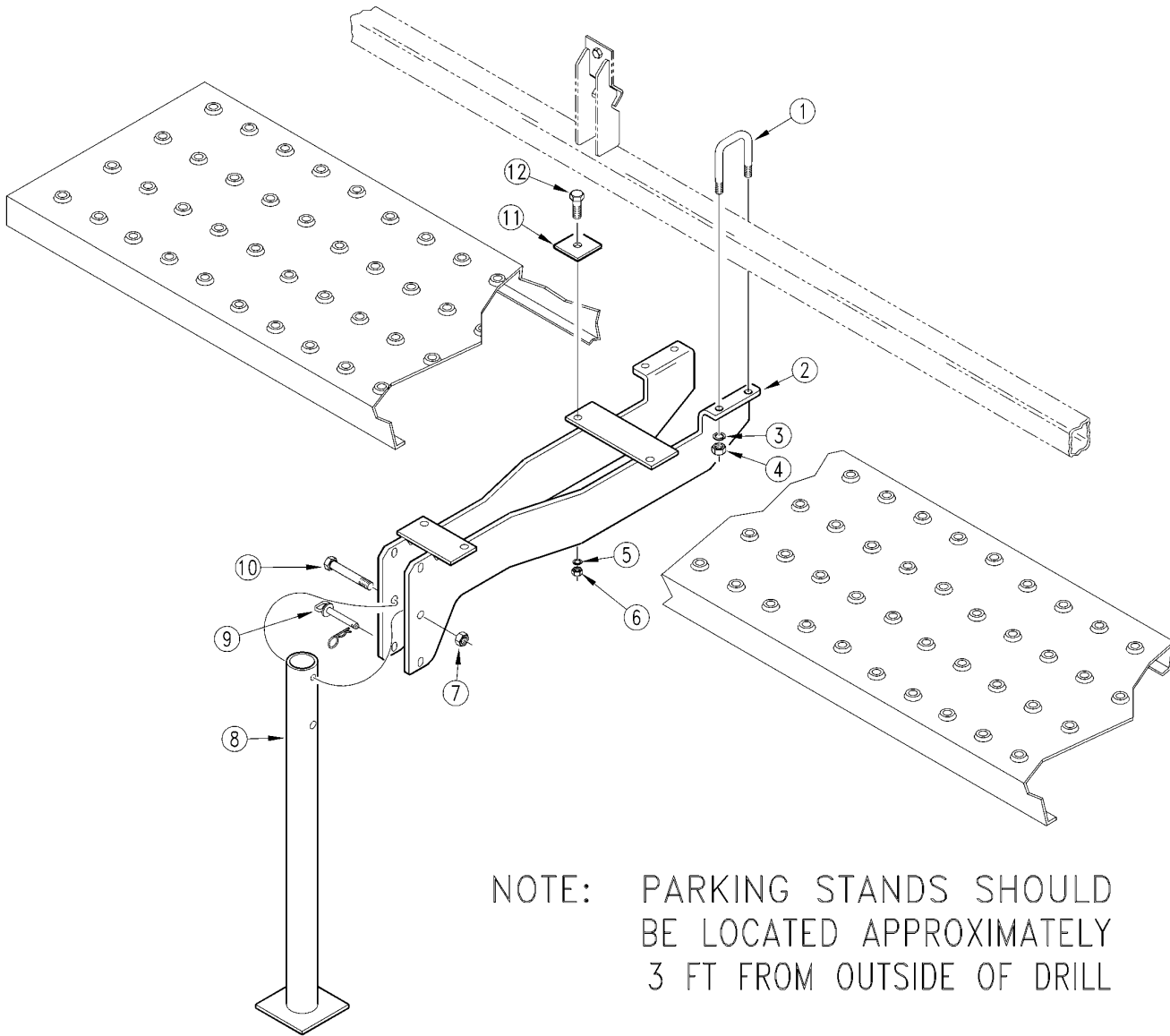
---

**(Applies to 1200 (1994+), 1500 (1994+), 2000 (1994+) only)**

<b>Ref</b>	<b>Part No.</b>	<b>Part Description</b>	<b>Comments</b>	<b>Revision</b>
	dwg11976	Image No.		
1.	119-229H	LID 106 SEED	2000 Drill	
1.	119-230H	LID 76 7/8 SEED	1500 Drill	
1.	119-231H	LID 126 11/16 SEED	1200 Drill	
2.	890-221C	12-20 X 90 LB GAS SPRING		
3.	800-121C	BALL STUD 10MM X 5/16-18 X 1/2		
4.	803-011C	NUT LOCK 5/16-18 PLT		
5.	119-153D	LATCH CASTING MACHINED		
6.	807-106C	SPRING .540 O.D.X 1 1/4 X.054W		
7.	119-154D	LID HANDLE		
8.	804-036C	WASHER FLAT 5/16 SAE PLT		
9.	802-425C	HHCS 5/16-18X1 1/4 NYL		
10.	802-017C	HHCS 3/8-16X1 GR5		
11.	804-011C	WASHER FLAT 3/8 USS PLT		
12.	313-076S	LID HINGE ASSEMBLY PS25120		
13.	803-209C	NUT FLANGE LOCK 3/8-16 PLT		
14.	802-411C	RHSNB 3/8-16X2 GR5		
15.	313-176D	LID HINGE BASE PLATE		
16.	313-186D	LID HINGE PIVOT		
17.	803-209C	NUT FLANGE LOCK 3/8-16 PLT		

**Parking Stand (Option)**

(Applies to 1200 (1994+), 1500 (1994+), 2000 (1994+) only)



NOTE: PARKING STANDS SHOULD  
BE LOCATED APPROXIMATELY  
3 FT FROM OUTSIDE OF DRILL

**Parking Stand (Option)**

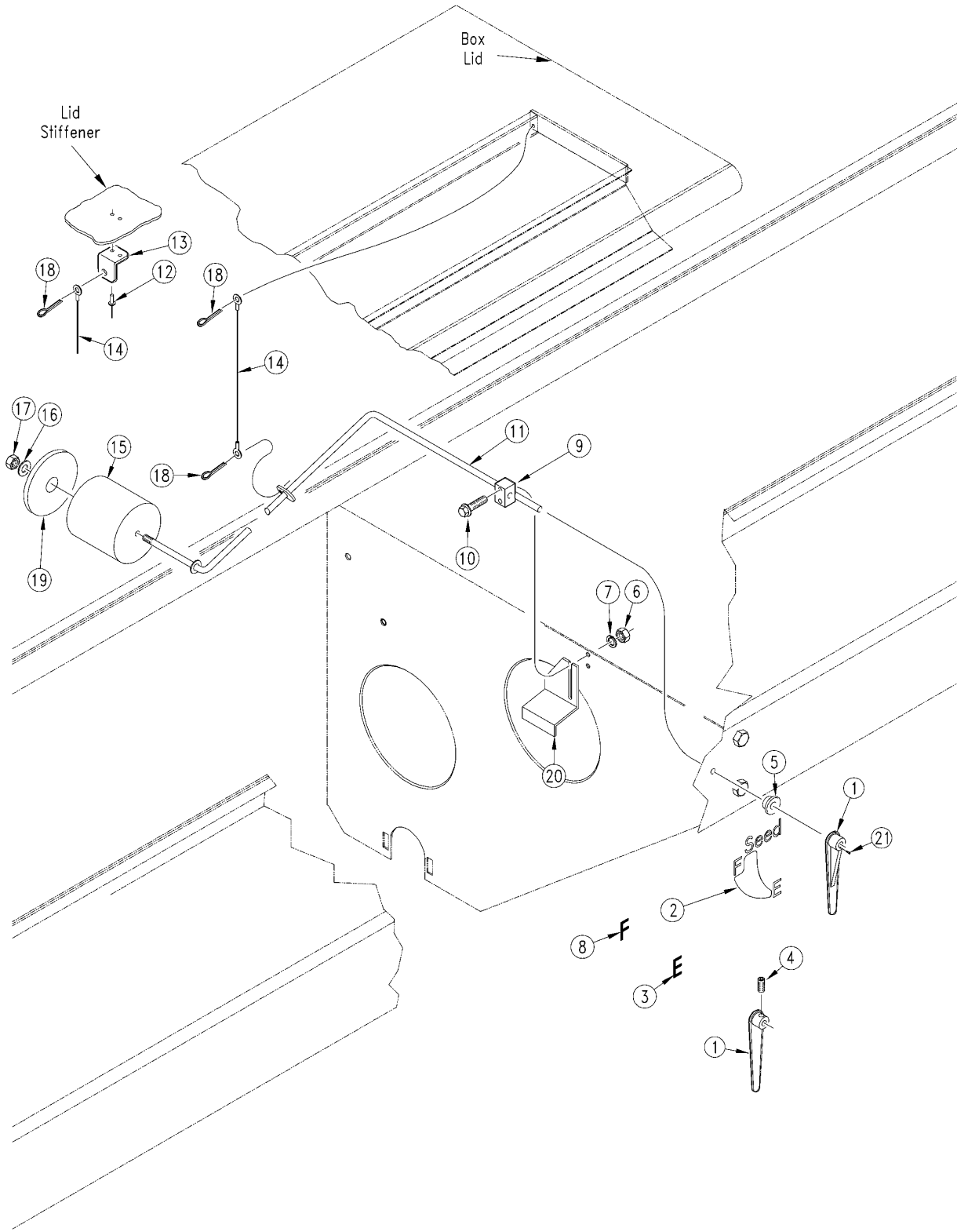
---

(Applies to 1200 (1994+), 1500 (1994+), 2000 (1994+) only)

<b>Ref</b>	<b>Part No.</b>	<b>Part Description</b>	<b>Comments</b>	<b>Revision</b>
	dwg14411	Image No.		
1.	806-005C	U-BOLT 1/2-13 X 2 X 3 GR 5		
2.	119-239H	STAND MOUNT, SEED FRONT TUBE		
2.	119-240H	STAND MOUNT, FERT FRONT TUBE		
2.	119-241H	STAND MOUNT, FERT REAR TUBE		
2.	119-242H	STAND MOUNT, SEED REAR TUBE		
3.	804-015C	WASHER LOCK SPRING 1/2 PLT		
4.	803-020C	NUT HEX 1/2-13 PLT		
5.	804-013C	WASHER LOCK SPRING 3/8 PLT		
6.	803-014C	NUT HEX 3/8-16 PLT		
7.	803-019C	NUT LOCK 1/2-13 PLT		
8.	119-105H	JACK STAND ASSEMBLY		
9.	805-001C	PIN 3/8 X 3 USABLE LW/PIN		
10.	802-041C	HHCS 1/2-13X3 1/2 GR5		
11.	119-032D	3-PT STEP RETAINER		
12.	802-079C	HHCS 3/8-16X1 1/4 GR5		

# Seed Level Indicator

(Applies to 1200 (1994+), 1500 (1994+), 2000 (1994+) only)



11982



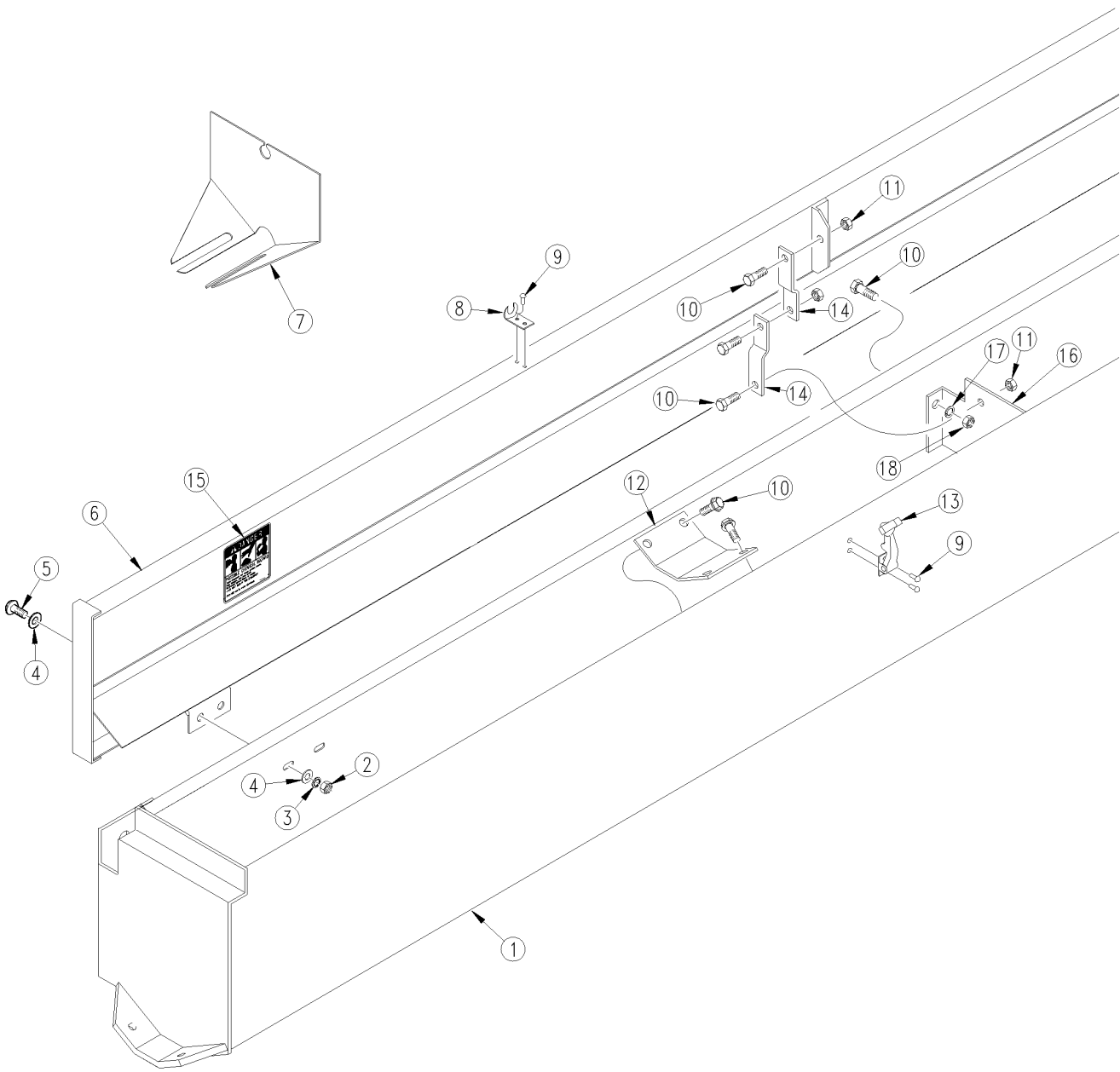
## ***Seed Level Indicator***

**(Applies to 1200 (1994+), 1500 (1994+), 2000 (1994+) only)**

<b>Ref</b>	<b>Part No.</b>	<b>Part Description</b>	<b>Comments</b>	<b>Revision</b>
	dwg11982	Image No.		
1.	817-350C	SEED LEVEL INDICATOR	Use with item 21.	2nd rev.
1.	197-023H	INDICATOR OB RPLCD BY 817-350C	Use with item 4.	Use existing stock; 1st rev.
2.	838-237C	DECAL SEED LEVEL LH		Rev. 2 is not interchangeable w/rev. 1
2.	818-392C	DECAL SEED LEVEL, NOTCHED		1st rev.
3.	818-295C	DECAL LETTER E	Replaced by 838-237C.	
4.	801-045C	SCREW SET 1/4-28X1/4 KNL CUP		
5.	817-086C	SEED LEVEL BUSHING		
6.	803-001C	NUT HEX 10-24 PLT		
7.	804-054C	WASHER LOCK #10		
8.	818-296C	DECAL LETTER F	Replaced by 838-237C.	
9.	817-202C	SEED LEVEL ARM MOUNT		2nd rev.
9.	197-090D	RPBY 817-202C		Use existing stock; 1st rev.
10.	801-085C	SCR RD HD 10-24X1 1/2 LG PLT		
11.	118-474H	SEED LEVEL ARM, 6 3/4R. TAB		
12.	800-101C	RIVET POP 1/8X.265LG FLG		
13.	197-091D	SEED LEVEL CHAIN BRACKET		
14.	890-305C	CABLE 3/64 X 11 5/8 W/ EYELETS		
15.	197-089D	FOAM FLOAT		
16.	804-075C	WASHER FLAT 1/4 USS PLT		
17.	803-003C	.00 HEX SS 1/4-20 NYLOCK		
18.	805-067C	PIN COTTER 1/8 X 3/4		
19.	197-096D	FOAM FLOAT WASHER		
20.	118-498D	SEED FLOAT DOWN FLOAT STOP		
21.	801-154C	SCR HEX HD SHT MET #8 X 1/2		

## Small Seeds Box & Lid Assembly

(Applies to 1200 (1994+), 1500 (1994+), 2000 (1994+) only)



38164

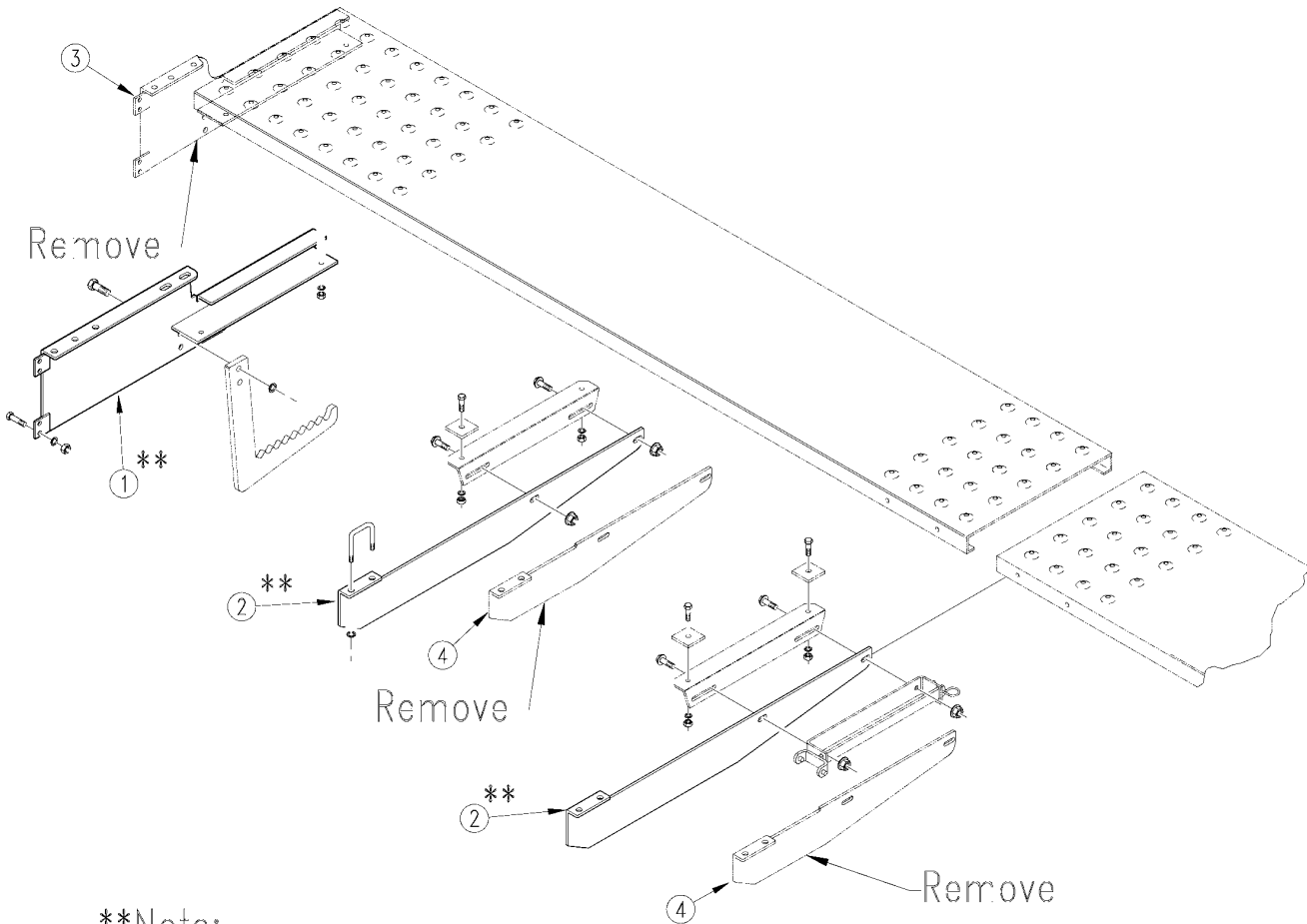
## ***Small Seeds Box & Lid Assembly***

**(Applies to 1200 (1994+), 1500 (1994+), 2000 (1994+) only)**

<b>Ref</b>	<b>Part No.</b>	<b>Part Description</b>	<b>Comments</b>	<b>Revision</b>
	dwg 38164	Image No.		
1.	123-774H	3PT 15'-6 SML SDS BOX LH		
1.	123-775H	3PT 15'-6 SML SDS BOX RH		
1.	123-776H	3PT 15'-7 SML SDS BOX LH		
1.	123-777H	3PT 15'-7 SML SDS BOX RH		
1.	123-778H	3PT 15'-7 1/2 SML SDS BOX LH		
1.	123-779H	3PT 15'-7 1/2 SML SDS BOX RH		
1.	123-780H	3PT 15'-8 SML SDS BOX LH		
1.	123-781H	3PT 15'-8 SML SDS BOX RH		
1.	123-782H	3PT 15'-10 SML SDS BOX LH		
1.	123-783H	3PT 15'-10 SML SDS BOX RH		
1.	123-784H	3PT 20'-6 SML SDS BOX LH		
1.	123-785H	3PT 20'-6 SML SDS BOX RH		
1.	123-786H	3PT 20'-7 SML SDS BOX LH		
1.	123-787H	3PT 20'-7 SML SDS BOX RH		
1.	123-788H	3PT 20'-7 1/2 SML SDS BOX LH		
1.	123-789H	3PT 20'-7 1/2 SML SDS BOX RH		
1.	123-790H	3PT 20'-8 SML SDS BOX LH		
1.	123-791H	3PT 20'-8 SML SDS BOX RH		
1.	123-792H	3PT 20'-10 SML SDS BOX LH		
1.	123-793H	3PT 20'-10 SML SDS BOX RH		
1.	123-794H	3PT 12'-6 SML SDS BOX		
1.	123-795H	3PT 12'-7 SML SDS BOX		
1.	123-796H	3PT 12'-7 1/2 SML SDS BOX		
1.	123-797H	3PT 12'-8 SML SDS BOX		
1.	123-798H	3PT 12'-10 SML SDS BOX		
2.	803-001C	NUT HEX 10-24 PLT		
3.	804-054C	WASHER LOCK #10		
4.	804-046C	WASHER FLAT #10 SAE PLT		
5.	801-003C	SCREW RD HD SLT 10-24X1/2 PLT		
6.	123-824H	3PT 12' SML SDS BOX LID		
6.	123-825H	3PT 15' SML SDS BOX LID		
6.	123-826H	3PT 20' SML SDS BOX LID		
7.	123-409D	RMVBL SMALL SEED BOX PARTITION		
8.	816-113C	LATCH KEEPER 37-15-061-17		
9.	800-101C	RIVET POP 1/8 .125 AD42BSLF		
10.	802-078C	HHCS 1/4-20X5/8 GR5		
11.	803-007C	NUT LOCK 1/4-20 PLT		
12.	123-118D	SEED ADJUSTMENT SUPPORT		
13.	816-112C	RUBBER LATCH 37-11-065-10		
14.	123-356D	10' EWNT SGS LID LATCH		
15.	838-467C	DECAL SMALL SEEDS DANGER		
16.	133-147D	SGS UPPER BOX PARTITION		
17.	804-006C	WASHER LOCK SPRING 1/4 PLT		
18.	803-006C	NUT HEX 1/4-20 PLT		

## Small Seeds Walkboard

(Applies to 1500 (1994+), 2000 (1994+) only)



\*\*Note:

Brackets #1 & #2 apply when drill is equipped with Fertilizer and Small Seeds option.

Brackets #3 & #4 apply when drill is equipped with Small Seeds option only.

## ***Small Seeds Walkboard***

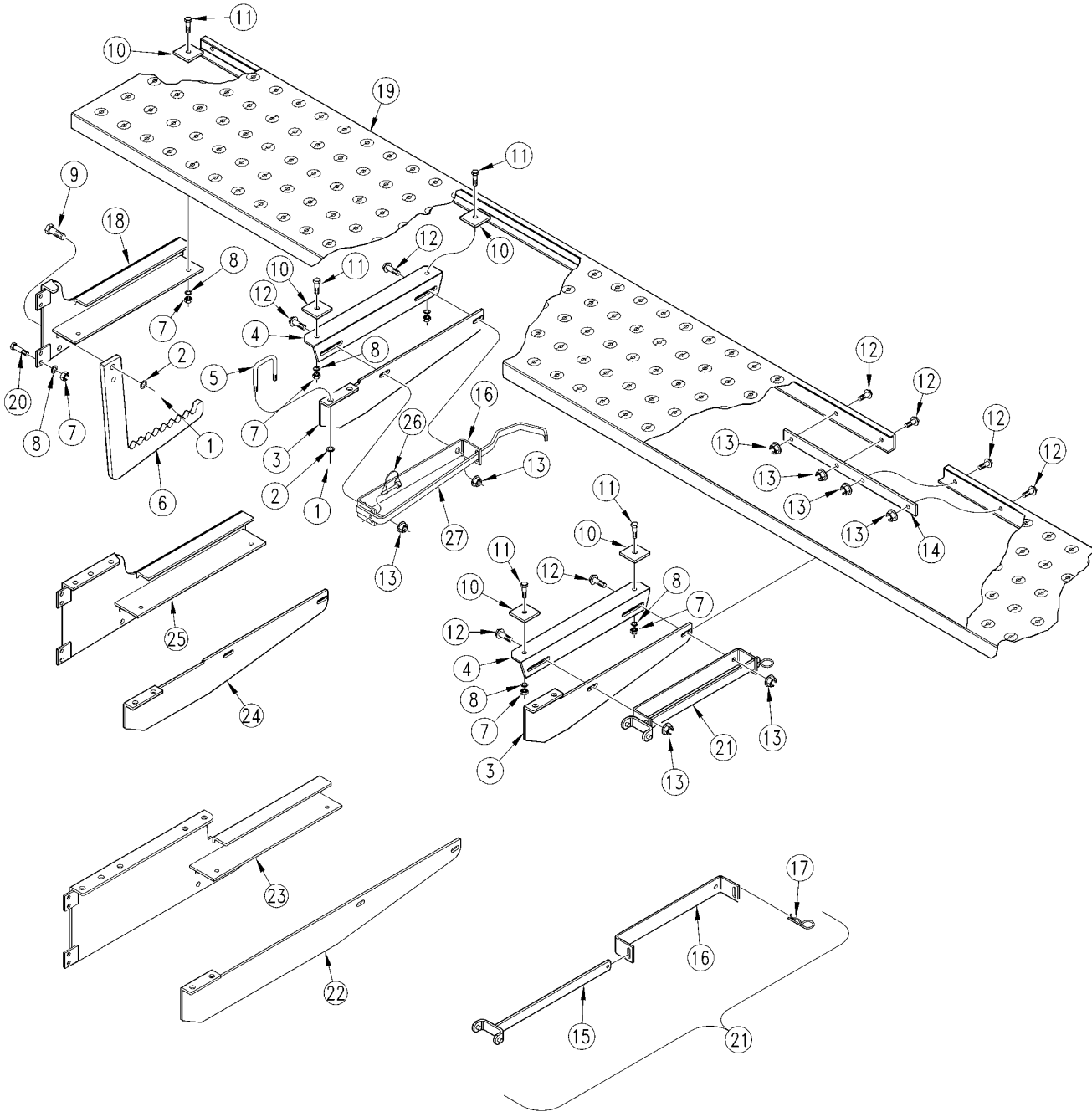
---

**(Applies to 1500 (1994+), 2000 (1994+) only)**

<b>Ref</b>	<b>Part No.</b>	<b>Part Description</b>	<b>Comments</b>	<b>Revision</b>
	dwg13722	Image No.		
1.	119-256H	WB END BRKT FERT & SML SDS LH		
1.	119-257H	WB END BRKT FERT & SML SDS RH		
2.	119-222D	WB MOUNT ARM FERT & SML SDS		
3.	119-235H	WALKBOARD END BRACKET FERT LH		
3.	119-236H	WALKBOARD END BRACKET FERT RH		
4.	119-168D	WALKBOARD MOUNT ARM, FERT		

# Walkboard Assembly

(Applies to 1200 (1994+), 1500 (1994+), 2000 (1994+) only)



11970

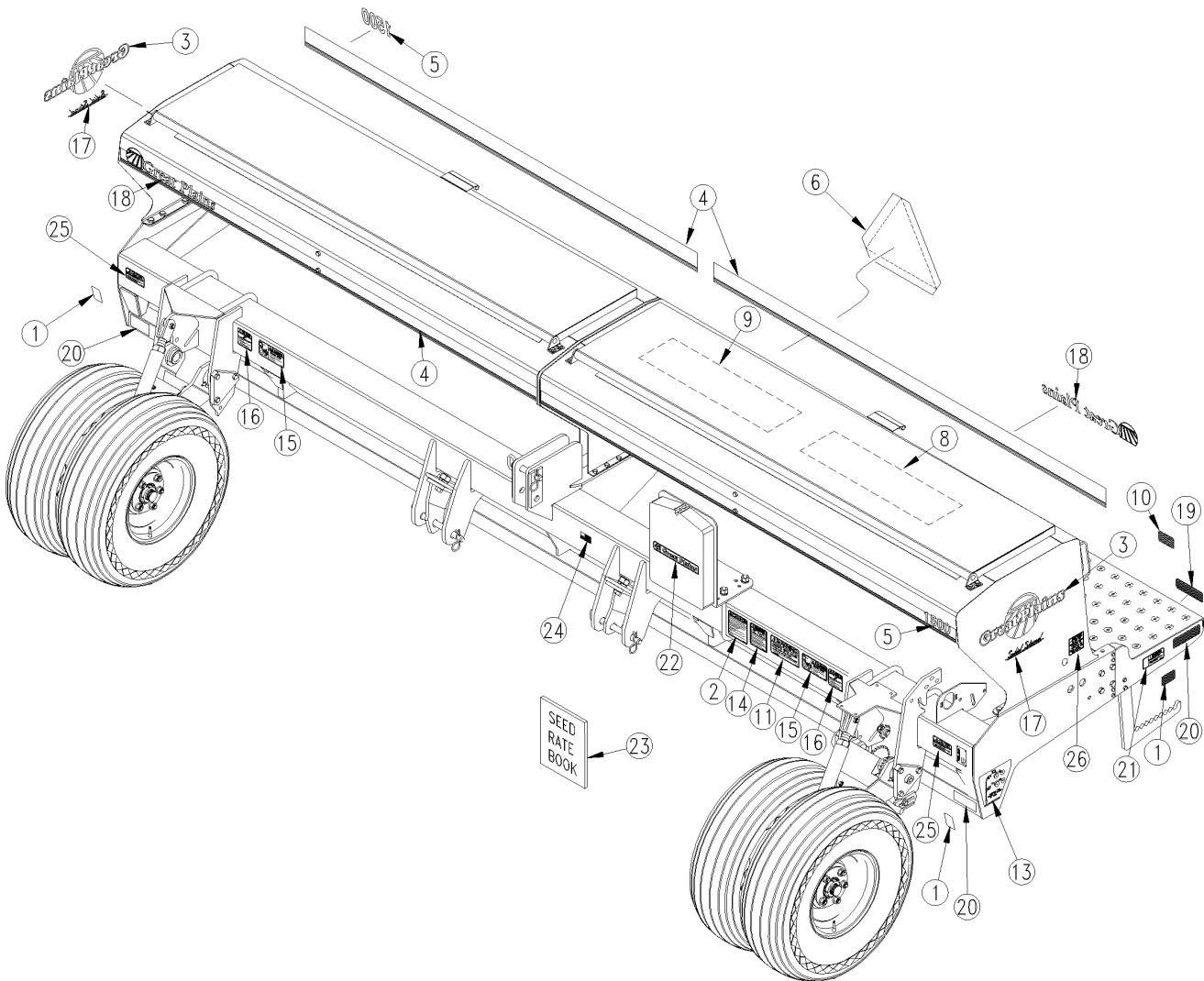
## ***Walkboard Assembly***

**(Applies to 1200 (1994+), 1500 (1994+), 2000 (1994+) only)**

<b>Ref</b>	<b>Part No.</b>	<b>Part Description</b>	<b>Comments</b>	<b>Revision</b>
	dwg11970	Image No.		
1.	803-020C	NUT HEX 1/2-13 PLT		
2.	804-015C	WASHER LOCK SPRING 1/2 PLT		
3.	119-167D	WALKBOARD MOUNT ARM, SEED		
4.	119-166D	WALKBOARD MOUNT PLATE, ADAPTOR		
5.	806-005C	U-BOLT 1/2-13 X 2 X 3 GR 5		
6.	119-192D	STEP		
7.	803-014C	NUT HEX 3/8-16 PLT		
8.	804-013C	WASHER LOCK SPRING 3/8 PLT		
9.	802-091C	HHCS 1/2-13X1 1/2 GR5		
10.	119-032D	3-PT STEP RETAINER		
11.	802-079C	HHCS 3/8-16X1 1/4 GR5		
12.	802-388C	HFS 3/8-16X1 GR5		
13.	803-209C	NUT FLANGE LOCK 3/8-16 PLT		
14.	119-163D	WALKBOARD TIE BAR		
15.	198-126H	SPRING ADJUSTMENT TOOL WELD		
16.	119-211D	OPENER HANDLE HOLDER		
17.	805-032C	PIN HAIR COTTER .148 WIRE		
18.	119-237H	WALKBOARD END BRACKET SEED LH	Seed only or seed & SGS	
18.	119-238H	WALKBOARD END BRACKET SEED RH	Seed only or seed & SGS	
19.	119-155D	WALKBOARD 3 PT 15'		
19.	119-156D	WALKBOARD 3 PT 20'		
19.	119-203D	WALKBOARD 3PT 12'		
20.	802-017C	HHCS 3/8-16X1 GR5		
21.	198-234L	OPENER SPRING ADJUST HANDLE		
22.	119-222D	WB MOUNT ARM FERT & SML SDS		
22.	119-256H	WB END BRKT FERT & SML SDS LH	Fert & SGS	
23.	119-257H	WB END BRKT FERT & SML SDS RH	Fert & SGS	
24.	119-168D	WALKBOARD MOUNT ARM, FERT		
25.	119-236H	WALKBOARD END BRACKET FERT RH	Fert only	
25.	119-235H	WALKBOARD END BRACKET FERT LH	Fert only	
26.	805-065C	PIN WIRE RETAINING 1/4 X 1 3/4	1998+	
27.	198-215D	20 SER SEED-LOK HANDLE	1998+	

## Decal Placement

(Applies to 1200 (1994+), 1500 (1994+), 2000 (1994+) only)



11983



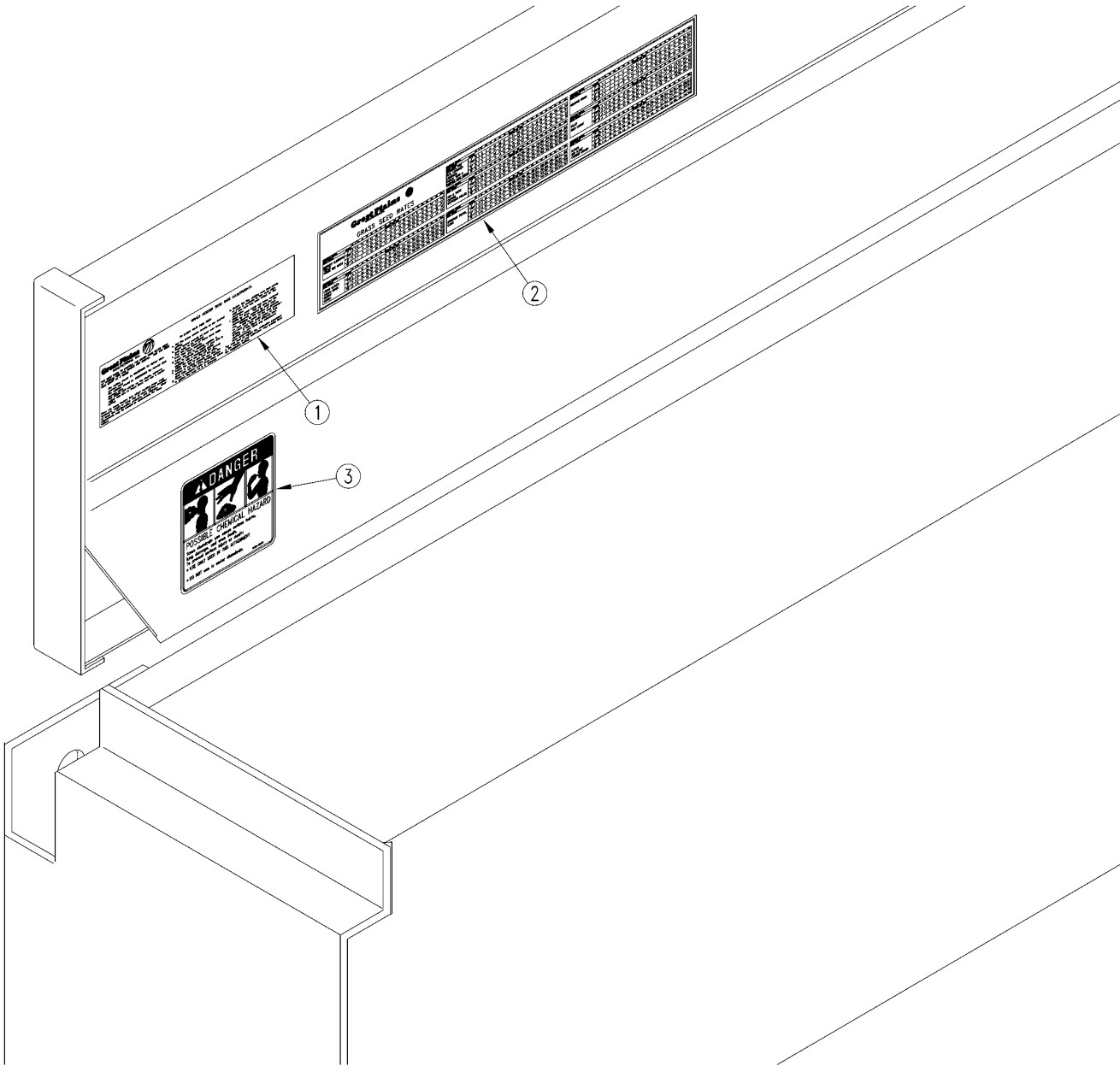
***Decal Placement***

**(Applies to 1200 (1994+), 1500 (1994+), 2000 (1994+) only)**

<b>Ref</b>	<b>Part No.</b>	<b>Part Description</b>	<b>Comments</b>	<b>Revision</b>
	dwg11983	Image No.		
1.	818-229C	DECAL AMBER REFLECTOR	2000-	
2.	818-587C	DECAL CAUTION OPERATIONAL MACH		
3.	838-228C	DECAL GREAT PLAINS ON LOGO SML	2000+	Rev. 2 is not interchangeable w/rev. 1
3.	818-413C	DECAL GREAT PLAINS ON LOGO	1994<->1999	1st rev.
4.	838-160C	DECAL 3 COLOR STRIPE 2.50 WIDE	2000+	Rev. 2 is not interchangeable w/rev. 1
4.	818-414C	DECAL W/ 4 COLOR STRIPE	1994<->1999	1st rev.
5.	838-179C	DECAL 1500	2000+	Rev. 2 is not interchangeable w/rev. 1
5.	818-406C	DECAL - SOLID STAND 1500	1994<->1999	1st rev.
5.	838-180C	DECAL 1510	2000+	Rev. 2 is not interchangeable w/rev. 1
5.	818-407C	DECAL - SOLID STAND 1510	1994<->1999	1st rev.
5.	838-182C	DECAL 1520	2000+	Rev. 2 is not interchangeable w/rev. 1
5.	818-408C	DECAL - SOLID STAND 1520	1994<->1999	1st rev.
5.	838-183C	DECAL 2000	2000+	Rev. 2 is not interchangeable w/rev. 1
5.	818-409C	DECAL - SOLID STAND 2000	1994<->1999	1st rev.
5.	838-184C	DECAL 2010	2000+	Rev. 2 is not interchangeable w/rev. 1
5.	818-410C	DECAL - SOLID STAND 2010	1994<->1999	1st rev.
5.	838-187C	DECAL 2020	2000+	Rev. 2 is not interchangeable w/rev. 1
5.	818-411C	DECAL - SOLID STAND 2020	1994<->1999	1st rev.
5.	838-174C	DECAL 1200	2000+	Rev. 2 is not interchangeable w/rev. 1
5.	818-457C	DECAL - SOLID STAND 1200	1994<->1999	1st rev.
5.	838-235C	DECAL 1210	2000+	Rev. 2 is not interchangeable w/rev. 1
5.	818-458C	DECAL - SOLID STAND 1210	1994<->1999	1st rev.
5.	838-176C	DECAL 1220	2000+	Rev. 2 is not interchangeable w/rev. 1
5.	818-459C	DECAL - SOLID STAND 1220	1994<->1999	1st rev.
6.	818-003C	DECAL SLOW MOVING VEHICLE		
7.	818-415C	DECAL GP W/ LOGO AND STRIPE	Not shown. 1994<->1999	
8.	818-369C	DECAL 3PT,2&3SEC SEEDRATE 1OF2	2003-	
9.	818-370C	DECAL 3PT,2&3SEC SEEDRATE 2OF2	2003-	
10.	818-230C	DECAL RED REFLECTOR	2000-	
11.	818-188C	DECAL WARNING 20 MPH TRANS LRG		
12.	818-412C	DECAL GREAT PLAINS W/LOGO	Not shown. 1994<->1999	
13.	818-496C	DECAL GROUND AND TUBE DISTANCE		
14.	818-339C	DECAL WARNING HIGH PRESSUR SML		
15.	818-590C	DECAL DANGER CRUSH TRCTR & 3PT		
16.	818-398C	DECAL CAUTION TIRES NOT A STEP		
17.	838-158C	DECAL SCRIPT SOLID STAND SMALL	2000+	
18.	838-161C	DECAL LOGO&GP F/STRIPE 4 X 24	2000+	
19.	838-266C	DECAL REFLECTOR RED 1 1/2X9	2001+	
20.	838-265C	DECAL REFLECTOR AMBER 1 1/2X9	2001+	
21.	838-102C	DECAL WARNING FALLING HAZARD		
22.	838-482C	DECAL GP PLANTING COMPONENTS		
23.	118-389B	12,15, 20 SEEDRATE BOOK	2004+	
24.	818-190C	DECAL FLAG		
25.	858-669C	DECAL CAUTION TIRE 44 PSI/85		
26.	858-679C	DECAL NOTICE LUBRICATION		

## Small Seeds Decal Placement

(Applies to 1200 (1994+), 1500 (1994+), 2000 (1994+) only)



17030

## ***Small Seeds Decal Placement***

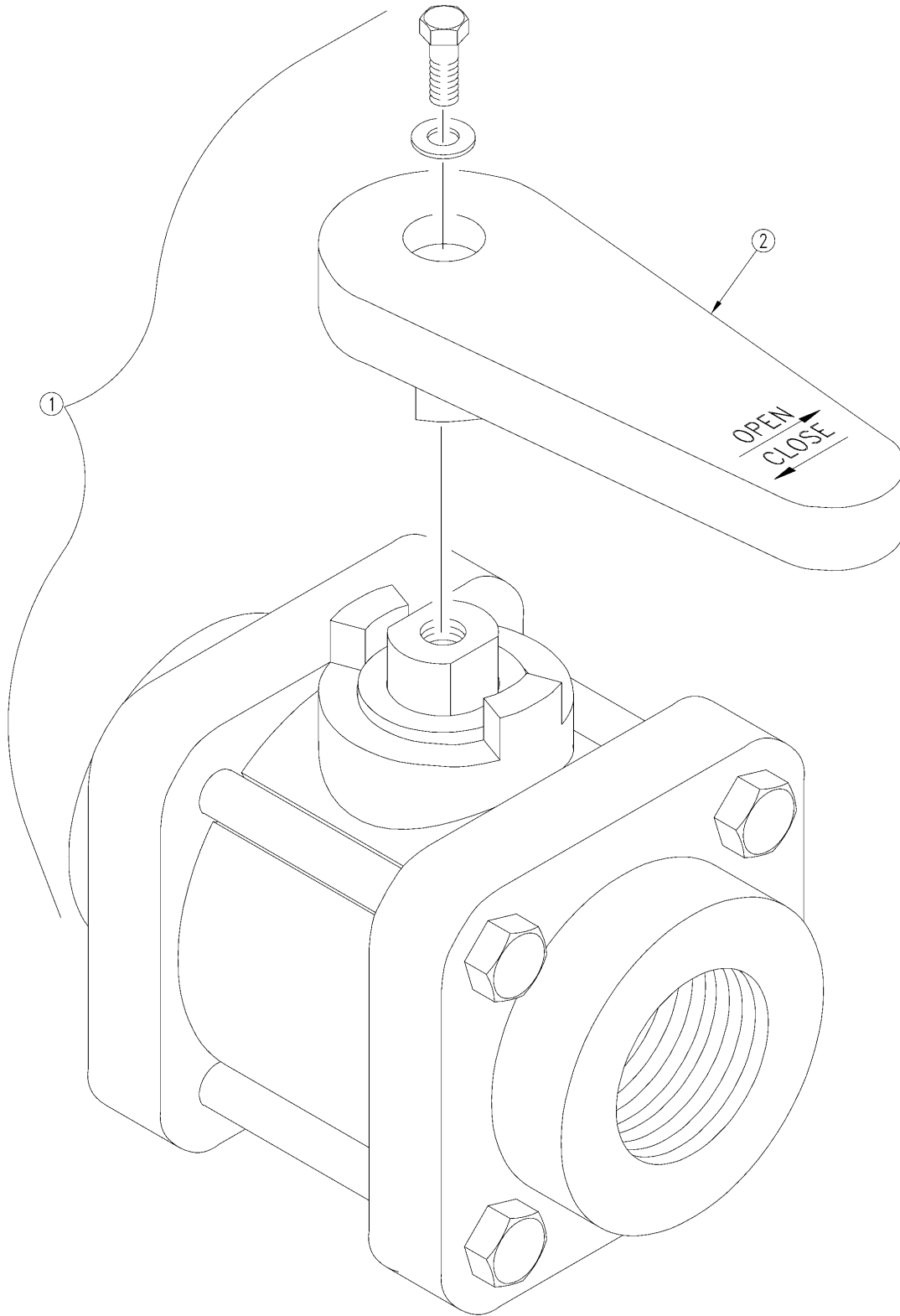
---

(Applies to 1200 (1994+), 1500 (1994+), 2000 (1994+) only)

<b>Ref</b>	<b>Part No.</b>	<b>Part Description</b>	<b>Comments</b>	<b>Revision</b>
	dwg17030	Image No.		
1.	818-207C	DECAL GRSSDR SD RATE ADJ INSTR		
2.	818-245C	GRASS SEEDER SEED RATE		
3.	838-467C	DECAL SMALL SEEDS DANGER		

## Ball Valve

(Applies to 1200 (1994+), 1500 (1994+), 2000 (1994+) only)



14407

## ***Ball Valve***

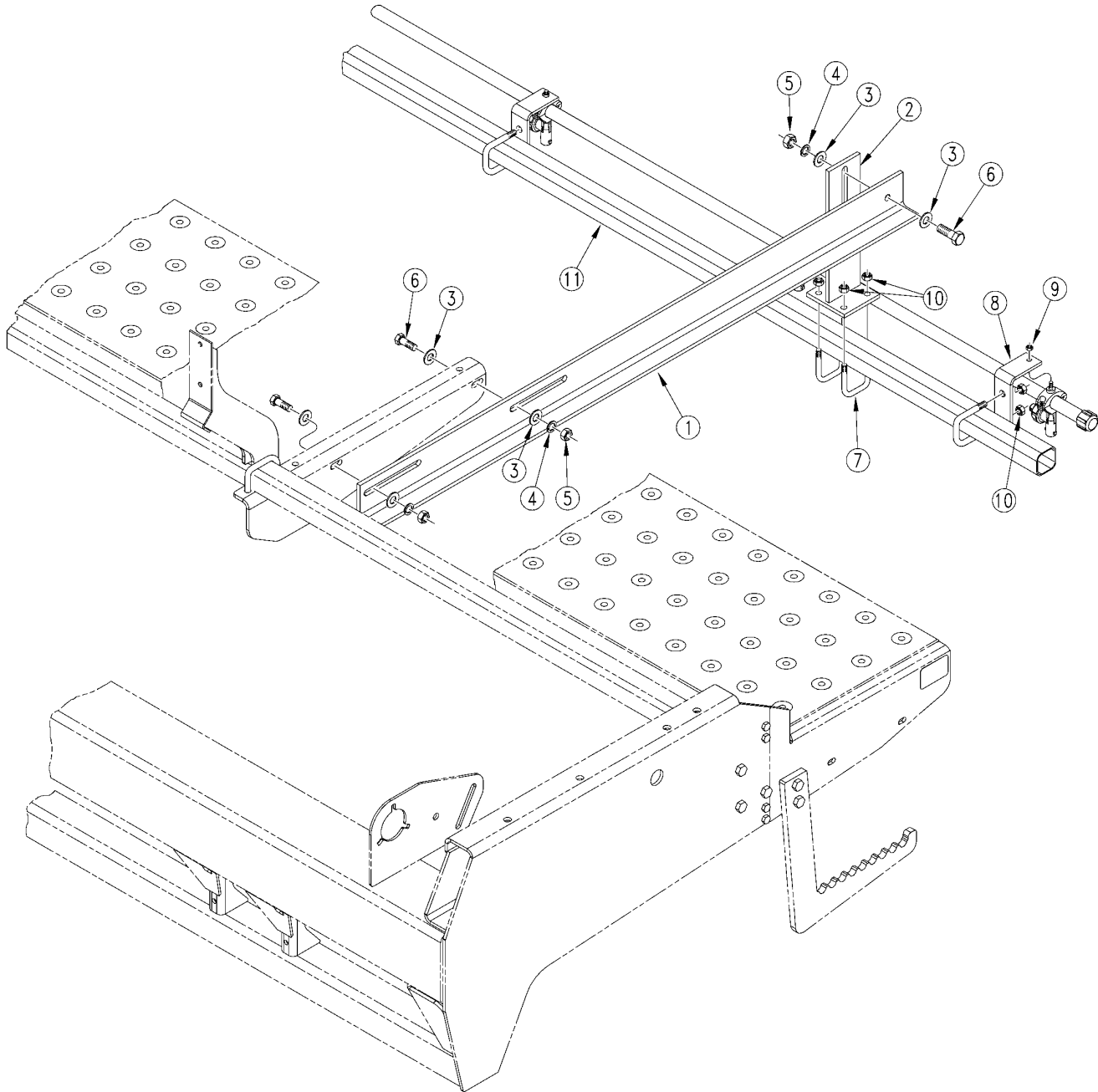
---

(Applies to 1200 (1994+), 1500 (1994+), 2000 (1994+) only)

<b>Ref</b>	<b>Part No.</b>	<b>Part Description</b>	<b>Comments</b>	<b>Revision</b>
	dwg14407	Image No.		
1.	829-011C	VALVE - 1FNPT BALL POLYPROP		
2.	V-07153	BANJO VALVE HANDLE 1/2-1		

## Drill Boom Mounting

(Applies to 1200 (1994+), 1500 (1994+), 2000 (1994+) only)



18177

## ***Drill Boom Mounting***

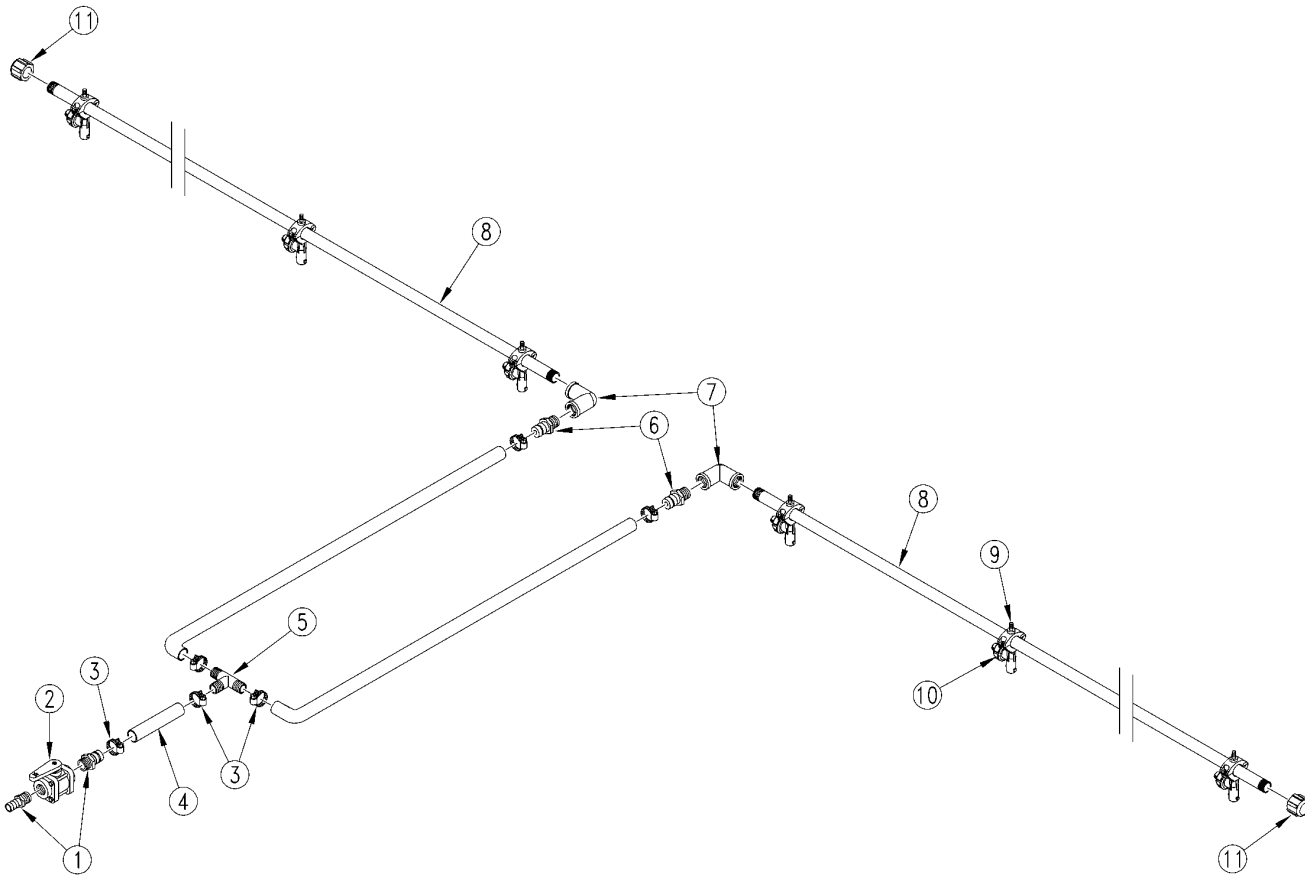
---

**(Applies to 1200 (1994+), 1500 (1994+), 2000 (1994+) only)**

<b>Ref</b>	<b>Part No.</b>	<b>Part Description</b>	<b>Comments</b>	<b>Revision</b>
	dwg18177	Image No.		
1.	116-222D	HANGER MOUNT		
2.	116-197H	3PT HANGER WELDMENT		
3.	804-011C	WASHER FLAT 3/8 USS PLT		
4.	804-013C	WASHER LOCK SPRING 3/8 PLT		
5.	803-014C	NUT HEX 3/8-16 PLT		
6.	802-079C	HHCS 3/8-16X1 1/4 GR5		
7.	806-107C	U-BOLT 5/16-18 X 1 17/32X2 1/8		
8.	116-214D	NOZZLE BRACKET		
9.	803-187C	NUT HEX WHIZ 1/4-20 18-8 SS		
10.	803-199C	NUT HEX FLANGE 5/16-18 PLT		
11.	116-224D	20' BOOM MOUNT TUBE	For 2000 drills.	

## Drill Boom Plumbing

(Applies to 1200 (1994+), 1500 (1994+), 2000 (1994+) only)



18176



## ***Drill Boom Plumbing***

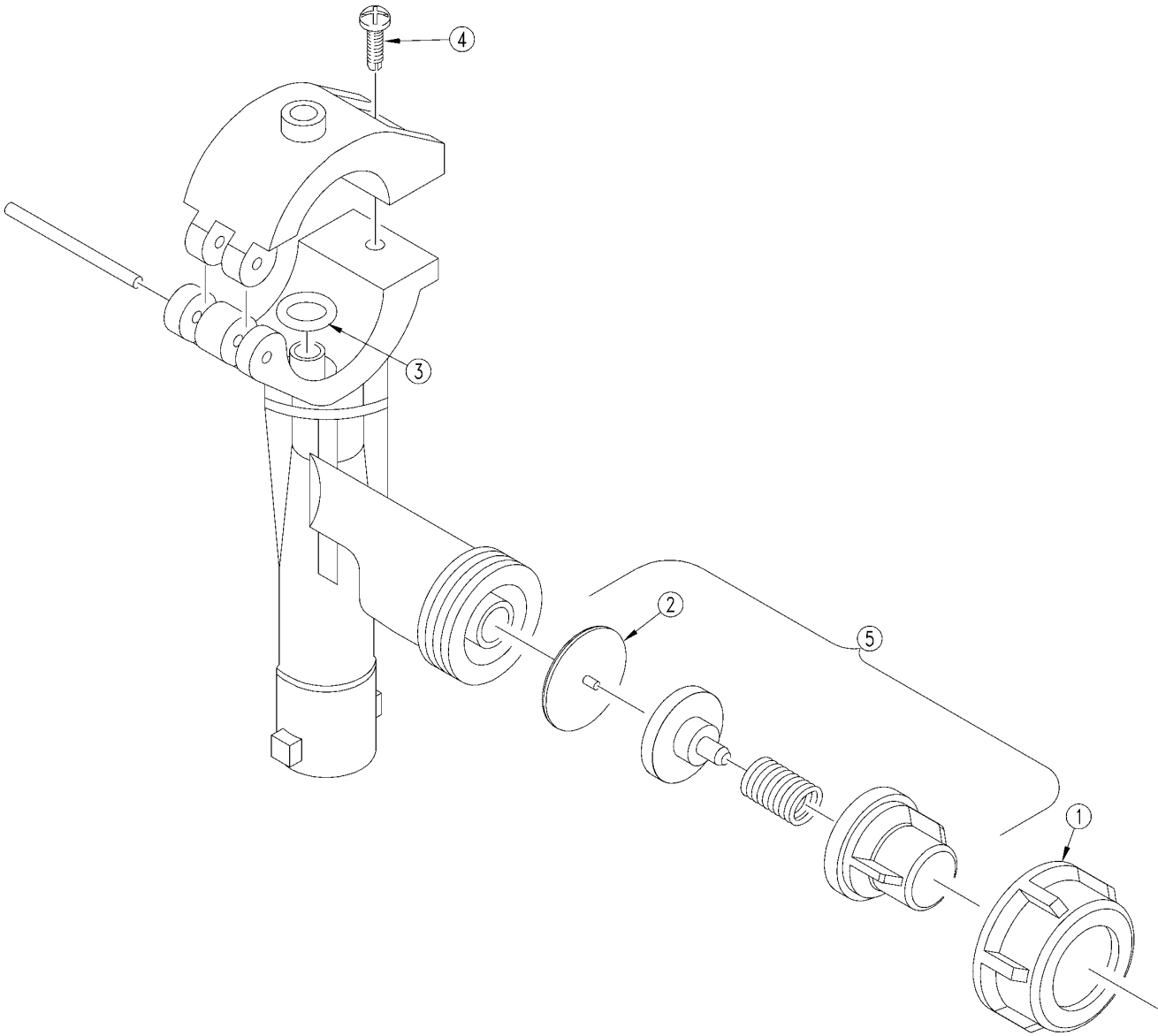
---

**(Applies to 1200 (1994+), 1500 (1994+), 2000 (1994+) only)**

<b>Ref</b>	<b>Part No.</b>	<b>Part Description</b>	<b>Comments</b>	<b>Revision</b>
	dwg18176	Image No.		
1.	830-087C	AD 1MNPT X 1HB POLYPROP		
2.	829-011C	VALVE - 1FNPT BALL POLYPROP	Refer to page 12-5 for breakdown	
3.	800-127C	CLAMP WRM DRV #12 SS(.56-1.25)		
4.	990-082R	HOSE 1 ID 200PSI EPDM		
5.	830-013C	TEE 1HB POLYPROP		
6.	830-085C	AD 3/4MNPT X 1HB POLYPROP		
7.	830-034C	EL 3/4FNPT POLYPROP		
8.	116-225D	106 WET BOOM TUBE	For 2000 drills.	
9.	802-012C	HHCS 5/16-18X1 1/2 GR5		
10.	829-089C	NOZZLE BODY 3/4 WET BOOM CLAMP	Refer to page 12-7 for breakdown	
11.	830-061C	CA 3/4FNPT POLYPROP		

## Spraying Systems Check Valve (829-089C)

(Applies to 1200 (1994+), 1500 (1994+), 2000 (1994+) only)



16714

## ***Spraying Systems Check Valve (829-089C)***

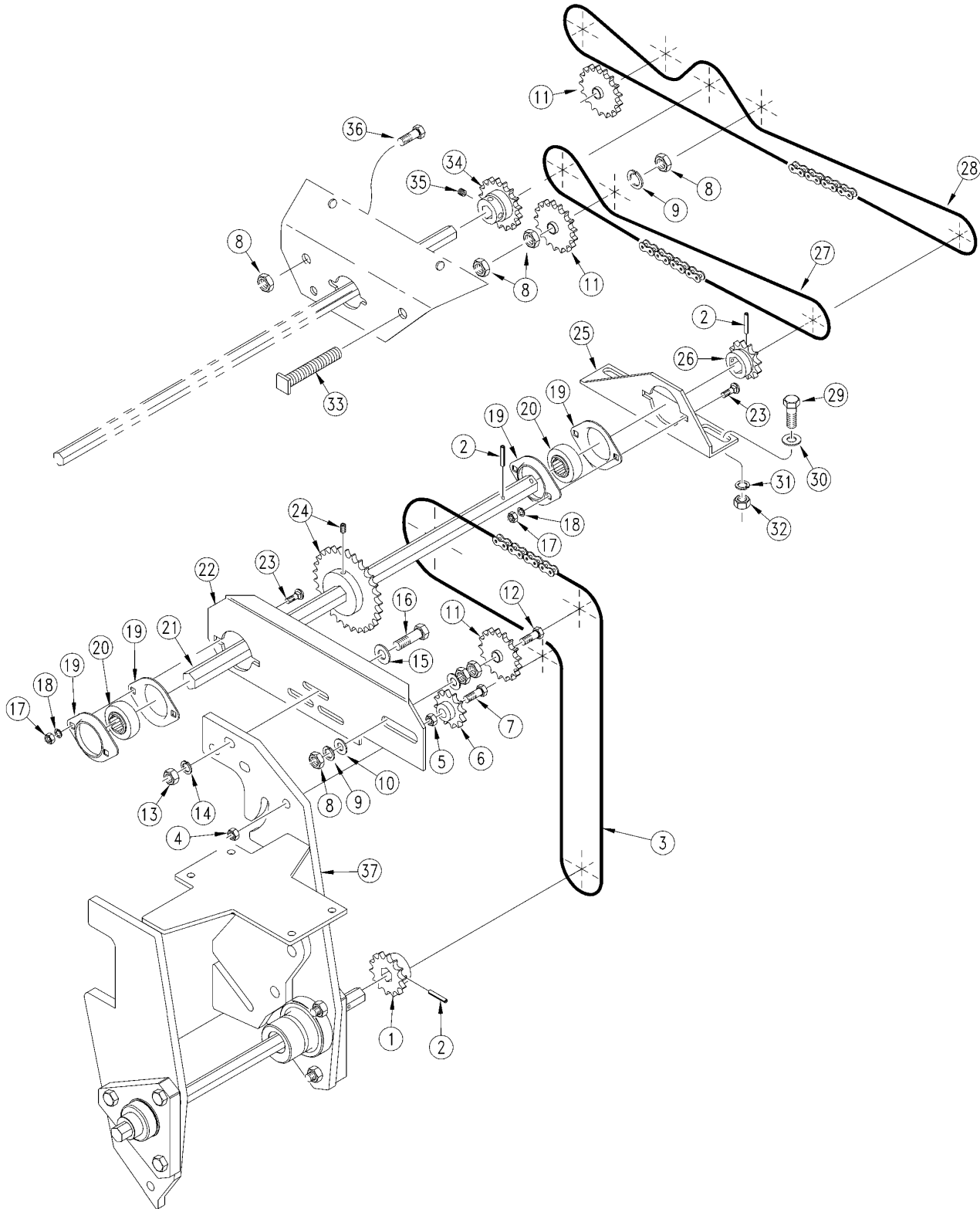
---

(Applies to 1200 (1994+), 1500 (1994+), 2000 (1994+) only)

<b>Ref</b>	<b>Part No.</b>	<b>Part Description</b>	<b>Comments</b>	<b>Revision</b>
	dwg16714	Image No.		
1.	20030	PRECISION CHECK VALVE FLY NUT		
2.	005865.036	PRECISION VITON DIAPHRAGM CHK		
3.	400020.030	O-RING		
4.	V2B25F	SELF THREADING SCREW SS		
5.	005860.130	PRECISION RED NOZZLE CHK VALVE		

# Agitator Drive

(Applies to 1200 (1994+), 1500 (1994+), 2000 (1994+) only)



12692

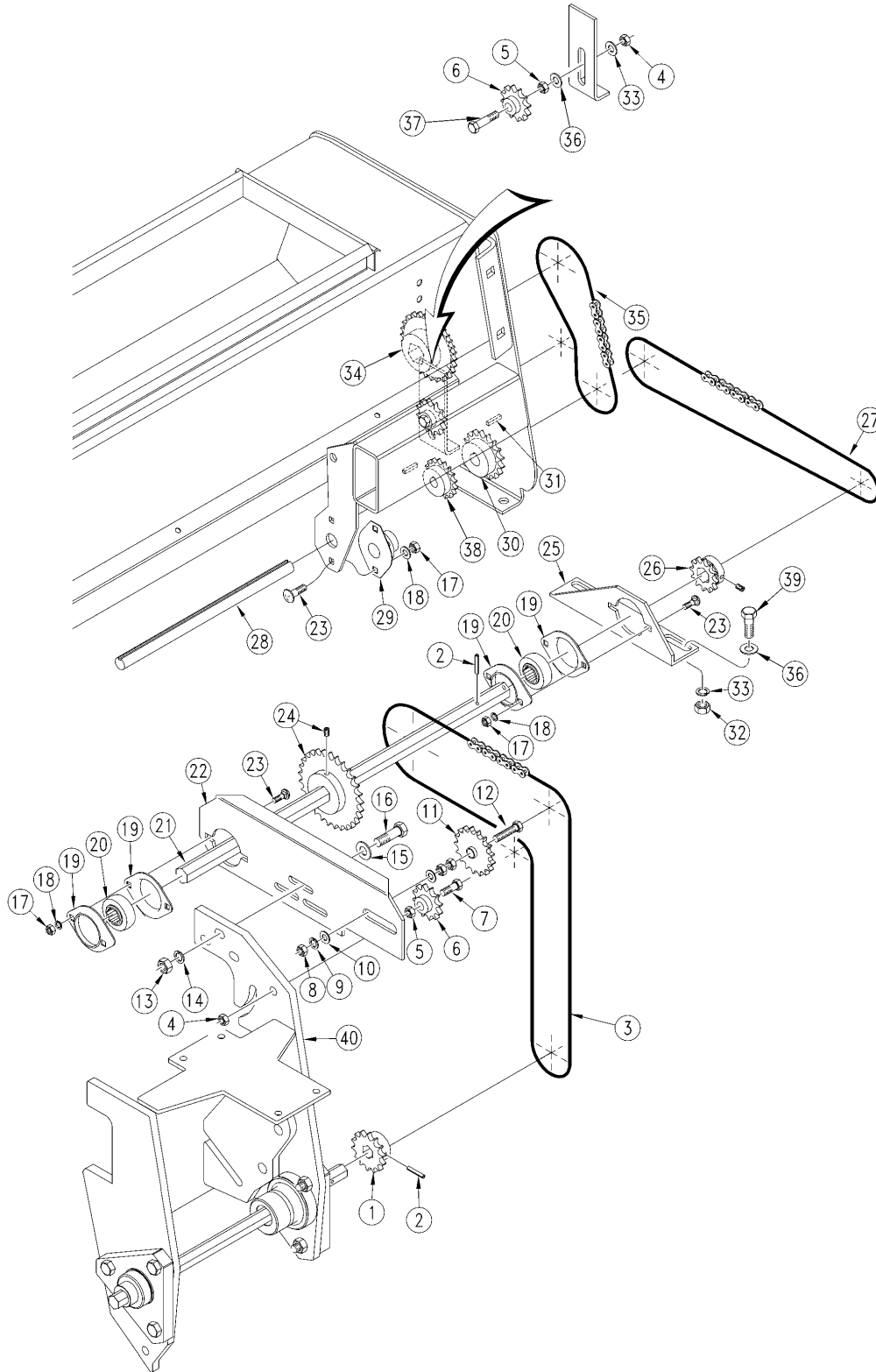
## **Agitator Drive**

**(Applies to 1200 (1994+), 1500 (1994+), 2000 (1994+) only)**

<b>Ref</b>	<b>Part No.</b>	<b>Part Description</b>	<b>Comments</b>	<b>Revision</b>
	dwg12692	Image No.		
1.	808-167C	SPKT 40B14 X 3/4 HEX BORE		
2.	805-023C	PIN ROLL 3/16X1 1/4 PLT		
3.	809-112C	CHAIN RL #40 X 132 PITCHES	Option 00 Opener.	
3.	136-115D	CHAIN RL #40 142 PITCHES	Option 10 & 20 Openers.	2nd rev.
3.	809-147C	RPBY 136-115D	Option 10 & 20 Openers.	Use existing stock; 1st rev.
4.	803-178C	NUT NYLOCK JAM NUT 1/2-13		
5.	803-036C	NUT HEX JAM 1/2-13 PLT		
6.	817-025C	NO. 40 12T IDLER SPKT.		
7.	802-039C	HHCS 1/2-13X3 GR5		
8.	803-023C	NUT HEX JAM 5/8-11 PLT		
9.	804-022C	WASHER LOCK SPRING 5/8 PLT		
10.	804-019C	WASHER FLAT 5/8 USS PLT		
11.	808-046C	SPROCKET 40A17 IDLER		
12.	802-436C	HHCS 5/8-11X3 1/2 FTHD		
13.	803-014C	NUT HEX 3/8-16 PLT		
14.	804-013C	WASHER LOCK SPRING 3/8 PLT		
15.	804-011C	WASHER FLAT 3/8 USS PLT		
16.	802-022C	HHCS 3/8-16X1 1/2 GR5		
17.	803-008C	NUT HEX 5/16-18 PLT		
18.	804-009C	WASHER LOCK SPRING 5/16 PLT		
19.	822-032C	FLANGETTE 52 MST		
20.	822-119C	BRG 7/8HEXX2.05OD SPH		
21.	120-226D	SHAFT HEX 7/8 X 18 1/4		
22.	123-515D	IDLER AND BRG MOUNT PLATE		
22.	123-531D	IDLER AND BRG MNT PLT EXTENDED		
23.	802-282C	RHSNB 5/16-18X1 GR5		
24.	808-168C	SPKT 40B29 X 7/8 HEX BORE & SS		
25.	123-517D	REAR DRIVE BRG MOUNT PLATE LH		
26.	808-143C	SPKT 40B12 7/8 HEX BORE W/SS		
27.	136-060D	CHAIN RL #40 61 PITCHES		2nd rev.
27.	809-065C	RPBY 136-060D		Use existing stock; 1st rev.
28.	136-110D	CHAIN RL #40 100 PITCHES		2nd rev.
28.	809-142C	RPBY 136-110D		Use existing stock; 1st rev.
29.	802-091C	HHCS 1/2-13X1 1/2 GR5		
30.	804-015C	WASHER LOCK SPRING 1/2 PLT		
31.	804-016C	WASHER FLAT 1/2 SAE PLT		
32.	803-020C	NUT HEX 1/2-13 PLT		
33.	118-439H	AGITATOR IDLER BOLT 5/8-11		
34.	118-648D	SPKT 40B17 X 3/4 HEX W/SS		
35.	801-035C	SCREW SET 5/16-18 SKT KP X 3/8		
36.	802-050C	HHCS 5/8-11X1 1/4 GR5		
37.	120-209H	GAUGE WHEEL MOUNT LH DRIVE	For 15' & 20' only	
37.	120-210H	GAUGE WHEEL MOUNT RH DRIVE	For 12' only	

# Fertilizer Drive

(Applies to 1200 (1994+), 1500 (1994+), 2000 (1994+) only)



12441

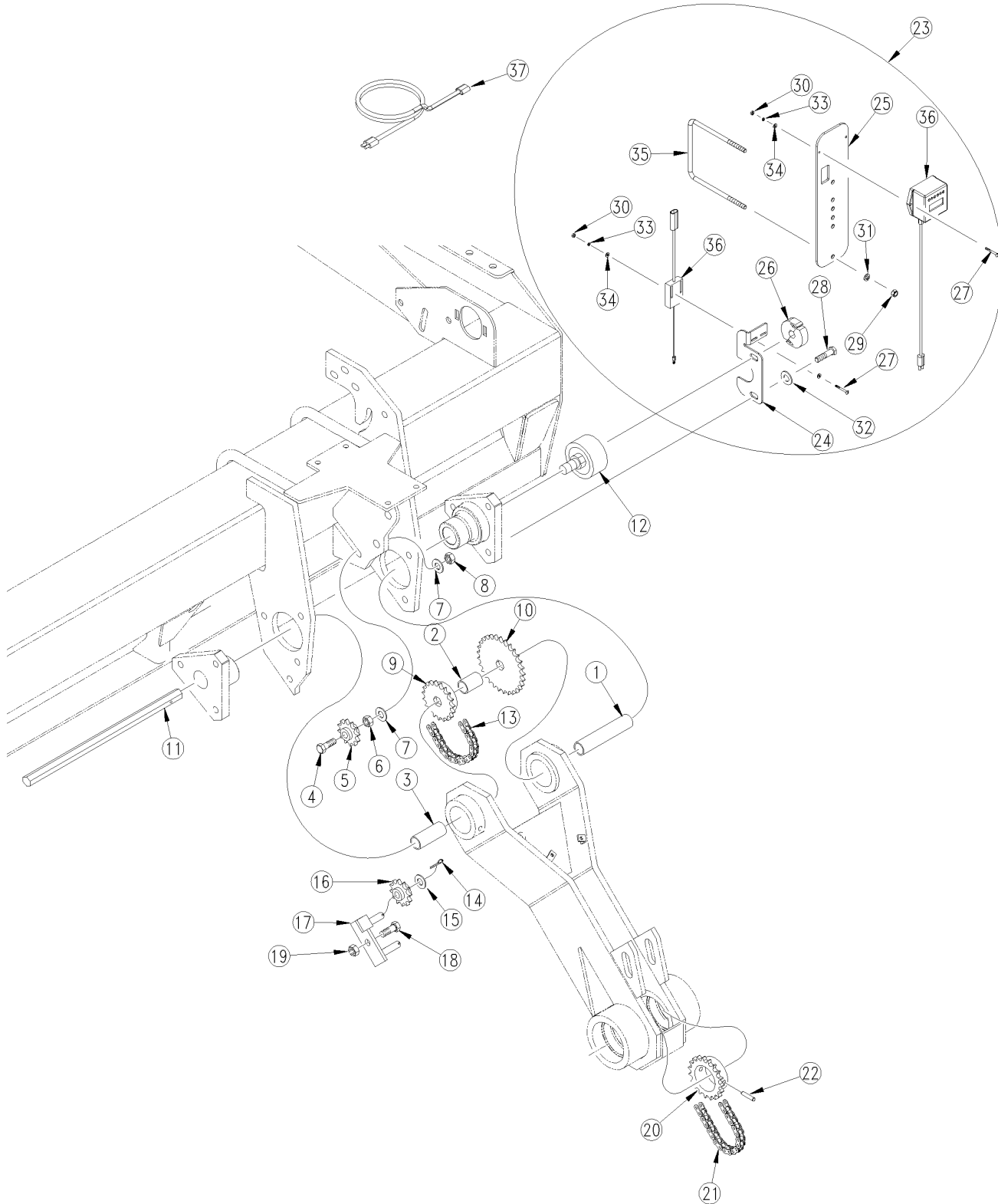
**Fertilizer Drive**

**(Applies to 1200 (1994+), 1500 (1994+), 2000 (1994+) only)**

<b>Ref</b>	<b>Part No.</b>	<b>Part Description</b>	<b>Comments</b>	<b>Revision</b>
	dwg12441	Image No.		
1.	808-167C	SPKT 40B14 X 3/4 HEX BORE		
2.	805-023C	PIN ROLL 3/16X1 1/4 PLT		
3.	809-112C	CHAIN RL #40 X 132 PITCHES	Option 00 Opener.	
3.	136-115D	CHAIN RL #40 142 PITCHES	Option 10 & 20 Openers.	2nd rev.
3.	809-147C	RPBY 136-115D	Option 10 & 20 Openers.	Use existing stock; 1st rev.
4.	803-178C	NUT NYLOCK JAM NUT 1/2-13		
5.	803-036C	NUT HEX JAM 1/2-13 PLT		
6.	817-025C	NO. 40 12T IDLER SPKT.		
7.	802-039C	HHCS 1/2-13X3 GR5		
8.	803-023C	NUT HEX JAM 5/8-11 PLT		
9.	804-022C	WASHER LOCK SPRING 5/8 PLT		
10.	804-019C	WASHER FLAT 5/8 USS PLT		
11.	808-046C	SPROCKET 40A17 IDLER		
12.	802-436C	HHCS 5/8-11X3 1/2 FTHD		
13.	803-014C	NUT HEX 3/8-16 PLT		
14.	804-013C	WASHER LOCK SPRING 3/8 PLT		
15.	804-011C	WASHER FLAT 3/8 USS PLT		
16.	802-022C	HHCS 3/8-16X1 1/2 GR5		
17.	803-008C	NUT HEX 5/16-18 PLT		
18.	804-009C	WASHER LOCK SPRING 5/16 PLT		
19.	822-032C	FLANGETTE 52 MST		
20.	822-119C	BRG 7/8HEXX2.05OD SPH		
21.	120-226D	SHAFT HEX 7/8 X 18 1/4		
21.	120-254D	20' BEDDED IRRIGATION SHAFT	Used on 20' only	
22.	123-515D	IDLER AND BRG MOUNT PLATE		
22.	123-531D	IDLER AND BRG MNT PLT EXTENDED		
23.	802-282C	RHSNB 5/16-18X1 GR5		
24.	808-168C	SPKT 40B29 X 7/8 HEX BORE & SS		
25.	123-517D	REAR DRIVE BRG MOUNT PLATE LH		
25.	123-518D	REAR DRIVE BRG MOUNT PLATE RH		
26.	808-143C	SPKT 40B12 7/8 HEX BORE W/SS		
27.	809-139C	CHAIN RL #40 X 100 PITCH W/CON		
28.	120-234D	RND SHAFT 3/4 X 13 3/8 W/KW		
29.	822-126C	BRG FLG .75ID 2BOLT		
30.	808-170C	SPKT 40B17 X 3/4BORE W/KW&SS		
31.	168-127D	3/16 X 1 KEY		
32.	803-020C	NUT HEX 1/2-13 PLT		
33.	804-015C	WASHER LOCK SPRING 1/2 PLT		
34.	808-086C	SPKT 40B30 X 3/4 HEXBORE W/ SS		2nd rev.
34.	181-138D	RPBY 808-086C		Use existing stock; 1st rev.
35.	136-059D	CHAIN RL #40 56 PITCHES		2nd rev.
35.	809-064C	RPBY 136-059D		Use existing stock; 1st rev.
36.	804-016C	WASHER FLAT 1/2 SAE PLT		
37.	802-044C	HHCS 1/2-13X4 GR5		
38.	808-040C	SPKT 40B12 X 3/4 B W/KW&SS		
39.	802-091C	HHCS 1/2-13X1 1/2 GR5		
40.	120-209H	GAUGE WHEEL MOUNT LH DRIVE	For 15' & 20" only	
40.	120-210H	GAUGE WHEEL MOUNT RH DRIVE	For 12' only	

# Gauge Wheel Drive

(Applies to 1200 (1994+), 1500 (1994+), 2000 (1994+) only)



11974



## **Gauge Wheel Drive**

**(Applies to 1200 (1994+), 1500 (1994+), 2000 (1994+) only)**

<b>Ref</b>	<b>Part No.</b>	<b>Part Description</b>	<b>Comments</b>	<b>Revision</b>
	dwg 11974	Image No.		
1.	120-199D	SPACER TUBE 5 1/32		
2.	120-200D	SPACER TUBE 1 21/32		
3.	120-201D	SPACER TUBE 2 47/64		
4.	802-044C	HHCS 1/2-13X4 GR5		
5.	817-025C	NO. 40 12T IDLER SPKT.		
6.	803-036C	NUT HEX JAM 1/2-13 PLT		
7.	804-017C	WASHER FLAT 1/2 USS PLT		
8.	803-178C	NUT NYLOCK JAM NUT 1/2-13		
9.	808-142C	SPKT 40B19 X 3/4 HEX BORE		
10.	808-142C	SPKT 40B19 X 3/4 HEX BORE		
10.	808-139C	SPKT 40B29 X 3/4 HEX BORE		
11.	120-204D	GAUGE WHEEL JACK SHAFT 3/4 HEX		
12.	890-001C	ACRE METER 12'	(S/N 1784D-)	
12.	890-003C	ACRE METER 15'	(S/N 11917C-)	
12.	890-295C	ACREMETER 20' 11L X 15	(S/N 9152B-)	
13.	136-089D	CHAIN RL #40 81 PITCHES		
13.	809-110C	REP BY 136-089D		
14.	805-067C	PIN COTTER 1/8 X 3/4		
15.	804-016C	WASHER FLAT 1/2 SAE PLT		
16.	817-025C	NO. 40 12T IDLER SPKT.		
17.	120-212H	TWO PIN IDLER WELDMENT		
18.	802-258C	HHCS 1/2-13X1 GR5		
19.	803-019C	NUT LOCK 1/2-13 PLT		
20.	808-097C	SPKT 40B19X2B W/5/16 HOLE		
20.	120-238D	REPLACED BY 808-097C		
20.	808-140C	SPKT 40B28 X2 BORE W/5/16 HOLE		
20.	120-239D	REPLACED BY 808-140C		
21.	136-058D	CHAIN RL #40 102 PITCHES		
21.	809-062C	REPD BY 136-058D		
21.	136-106D	CHAIN RL #40 111 PITCHES		
21.	809-135C	REP BY 136-106D		
22.	805-125C	PIN ROLL 5/16 X 2 1/2 PLT		
23.	118-260A	3PT LOUP ACREMETER	(1200 S/N 1785D+, 1500 S/N 11918C+, 2000 S/N 9153B+)	
			Includes items 24 - 36.	
24.	118-071D	3PT ACREMETER SWITCH MOUNT	(1200 S/N 1785D+, 1500 S/N 11918C+, 2000 S/N 9153B+)	
25.	168-492D	ACREMETER MOUNT	(1200 S/N 1785D+, 1500 S/N 11918C+, 2000 S/N 9153B+)	
26.	540005-1	3/4 HEX SNAP-ON ACTUATOR	(1200 S/N 1785D+, 1500 S/N 11918C+, 2000 S/N 9153B+)	
27.	801-064C	SHCS 1/4-20 X 2 1/4	(1200 S/N 1785D+, 1500 S/N 11918C+, 2000 S/N 9153B+)	
28.	802-128C	HHCS 1/2-13X2 GR5	(1200 S/N 1785D+, 1500 S/N 11918C+, 2000 S/N 9153B+)	
29.	803-014C	NUT HEX 3/8-16 PLT	(1200 S/N 1785D+, 1500 S/N 11918C+, 2000 S/N 9153B+)	
30.	803-064C	NUT HEX 8-32	(1200 S/N 1785D+, 1500 S/N 11918C+, 2000 S/N 9153B+)	
31.	804-013C	WASHER LOCK SPRING 3/8 PLT	(1200 S/N 1785D+, 1500 S/N 11918C+, 2000 S/N 9153B+)	
32.	804-036C	WASHER FLAT 5/16 SAE PLT	(1200 S/N 1785D+, 1500 S/N 11918C+, 2000 S/N 9153B+)	
33.	804-043C	WASHER LOCK #8	(1200 S/N 1785D+, 1500 S/N 11918C+, 2000 S/N 9153B+)	
34.	804-088C	WASHER FLAT #8 SAE PLT	(1200 S/N 1785D+, 1500 S/N 11918C+, 2000 S/N 9153B+)	

***Gauge Wheel Drive (continued)***

---

(Applies to 1200 (1994+), 1500 (1994+), 2000 (1994+) only)

<b>Ref</b>	<b>Part No.</b>	<b>Part Description</b>	<b>Comments</b>	<b>Revision</b>
35.	806-051C	U-BOLT 3/8-16 X 6 1/32 X 7	(1200 S/N 1785D+, 1500 S/N 11918C+, 2000 S/N 9153B+)	
36.	823-423C	ELECTRONIC ACRE METER	(1200 S/N 1785D+, 1500 S/N 11918C+, 2000 S/N 9153B+)	
37.	823-434C	HARNESS EXT. 10' 2 PIN WP	(1200 S/N 1785D+, 1500 S/N 11918C+, 2000 S/N 9153B+)	

***Gauge Wheel Drive (continued)***

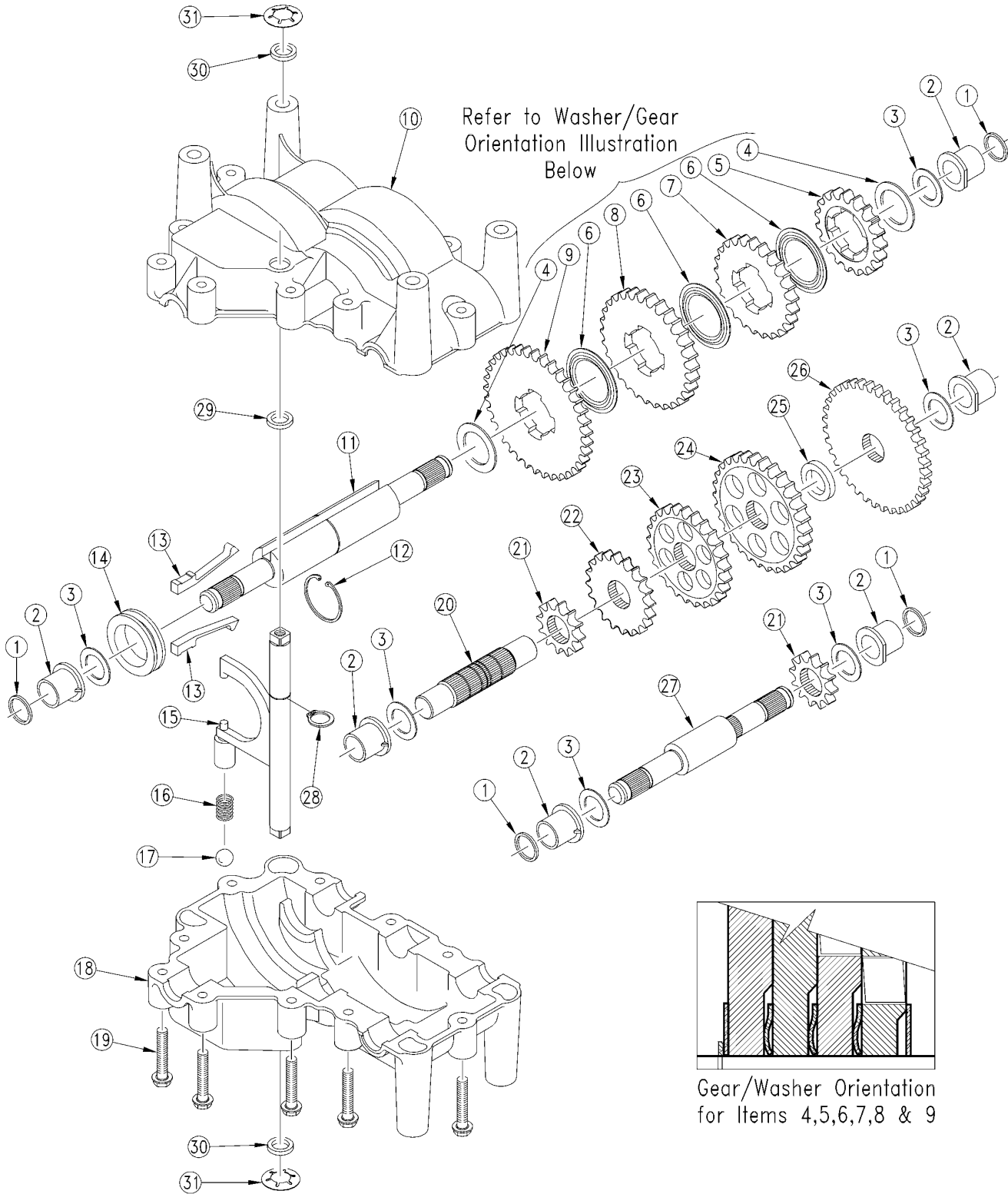
---

(Applies to 1200 (1994+), 1500 (1994+), 2000 (1994+) only)

***This Page Intentionally Left Blank***

# Gearbox (890-282C)

(Applies to 1200 (1994+), 1500 (1994+), 2000 (1994+) only)



12056

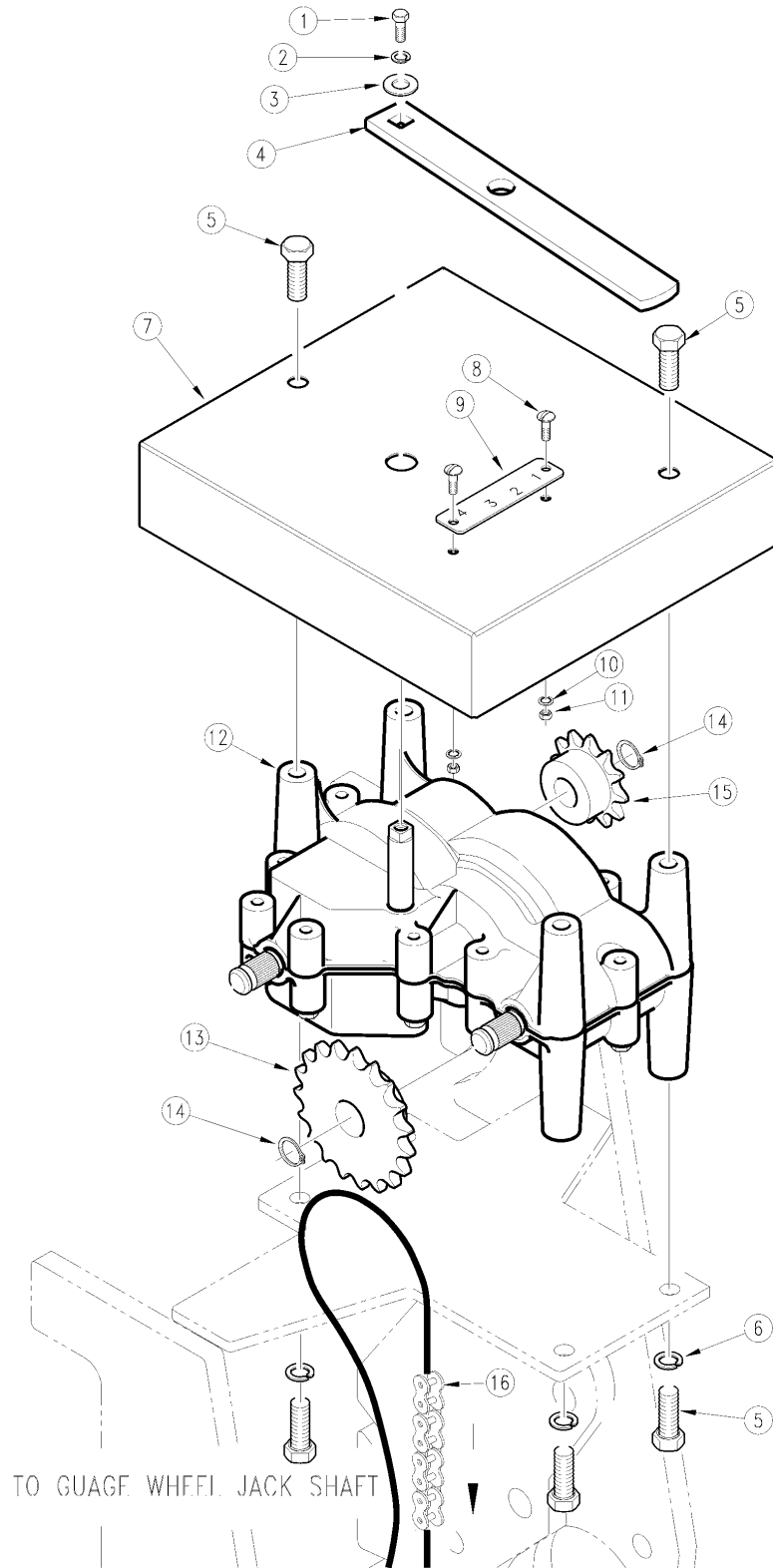
## **Gearbox (890-282C)**

**(Applies to 1200 (1994+), 1500 (1994+), 2000 (1994+) only)**

<b>Ref</b>	<b>Part No.</b>	<b>Part Description</b>	<b>Comments</b>	<b>Revision</b>
	dwg12056	Image No.		
1.	788051A	SQ CUT RING P/T GEARBOX		
2.	780105A	P/T FLANGED BUSHING FOR G-BOX		
3.	780072	P/T WASHER		
4.	780090	P/T WASHER		
5.	778273	P/T SPUR GEAR 19T		
6.	780108	P/T WASHER		
7.	778123A	P/T SPUR GEAR 25T		
8.	778124A	P/T SPUR GEAR 30T		
9.	778146A	RPBY 778207A		
10.	770119	P/T CASE CASTING 9100		
11.	776370	P/T SHIFTER & OUTPUT SHAFT		
12.	788078A	P/T RETAINING RING INVERTED		
13.	792159	P/T SHIFT KEY		
14.	784371	P/T SHIFT COLLAR		
15.	784372	P/T SHIFT ROD & FORK ASSEMBLY		
15.	784312	RPBY 784372		
16.	792142	P/T SPRING		
17.	792139	P/T BALL 3/8 DIA		
18.	772131	P/T COVER CASTING 9100 4 SPD		
19.	792073A	1/4-20X 1 1/4 SCREW P/T G-BOX		
20.	776397	P/T OUTPUT SHAFT		
21.	778211	P/T SPUR GEAR 12T		
22.	778126A	P/T SPUR GEAR 20T		
23.	778127A	P/T SPUR GEAR 25T		
24.	778163	P/T SPUR GEAR 31 TEETH		
25.	786088	P/T SPACER		
26.	778319	P/T SPUR GEAR 36T		
27.	776368	P/T INPUT SHAFT		
28.	792017	P/T RETAINING RING		
29.	780095	P/T WASHER		
29.		TUBE 0.562 LONG	Factory installed	
30.	788069	P/T RING SQUARE CUT		
31.	792145	P/T PUSHNUT 1/2		
31.	788067B	32 OZ BOTTLE GREASE P/T G-BOX	Not shown.	
31.	510334	P/T GASKET ELIMINATOR	Not shown.	

## Gearbox And Gearbox Cover

(Applies to 1200 (1994+), 1500 (1994+), 2000 (1994+) only)



12072

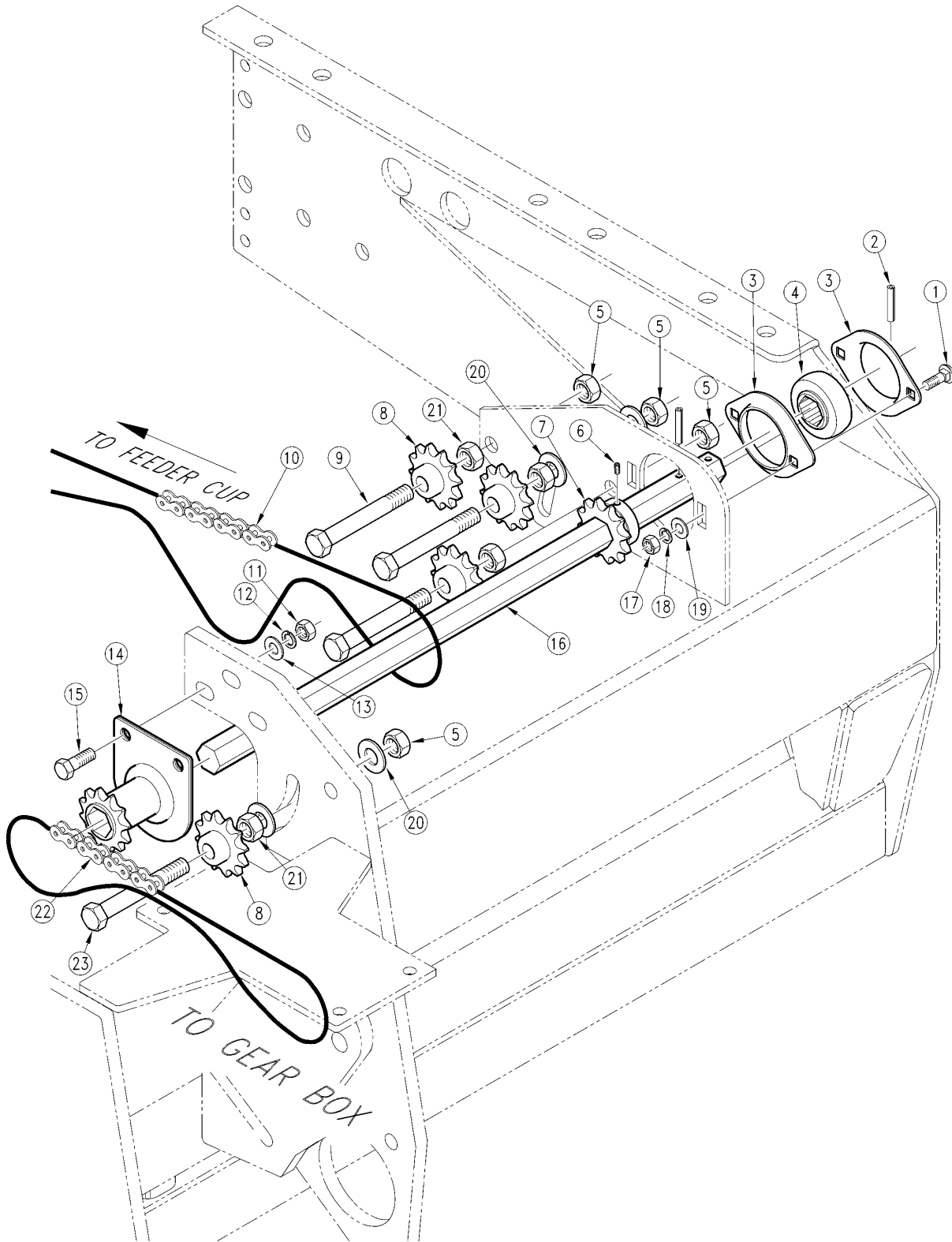
## **Gearbox And Gearbox Cover**

**(Applies to 1200 (1994+), 1500 (1994+), 2000 (1994+) only)**

<b>Ref</b>	<b>Part No.</b>	<b>Part Description</b>	<b>Comments</b>	<b>Revision</b>
	dwg12072	Image No.		
1.	802-300C	HHCS 1/4-28X3/8 GR5		
2.	804-006C	WASHER LOCK SPRING 1/4 PLT		
3.	804-007C	WASHER FLAT 1/4 SAE PLT		
4.	120-237D	GEARBOX SHIFT HANDLE		
5.	801-076C	SCR SELF TAPPING 3/8X1		
6.	804-013C	WASHER LOCK SPRING 3/8 PLT		
7.	120-235D	GEARBOX COVER LH		
7.	120-236D	GEARBOX COVER RH		
8.	801-001C	SCREW RD HD 8-32 X 3/8 BRASS		
9.	819-045C	2SNT DRIVE TYPE PLATE	(2000 RH, 1200 single outside drive)	
9.	819-059C	DRIVE TYPE PLATE, 4 3 2 1	(1200, 1500, 2000 LH drive)	
10.	804-002C	WASHER INTERNAL STAR #8 BRASS		
11.	803-035C	NUT HEX 8-32 BRASS		
12.	890-282C	GEAR BOX	Refer to page 5-7 for breakdown	
13.	808-157C	SPKT 40B19 X 36T SPLINE BORE		
14.	800-141C	SNAP RING EXT F/PEERLESS G.B.		
15.	808-160C	SPKT 40B12 X 36T SPLINE BORE		2nd rev.
15.	120-231D	RPBY 808-160C		Use existing stock; 1st rev.
16.	136-089D	CHAIN RL #40 81 PITCHES		2nd rev.
16.	809-110C	RPBY 136-089D		Use existing stock; 1st rev.

## Jackshaft Drive

(Applies to 1200 (1994+), 1500 (1994+), 2000 (1994+) only)



12065



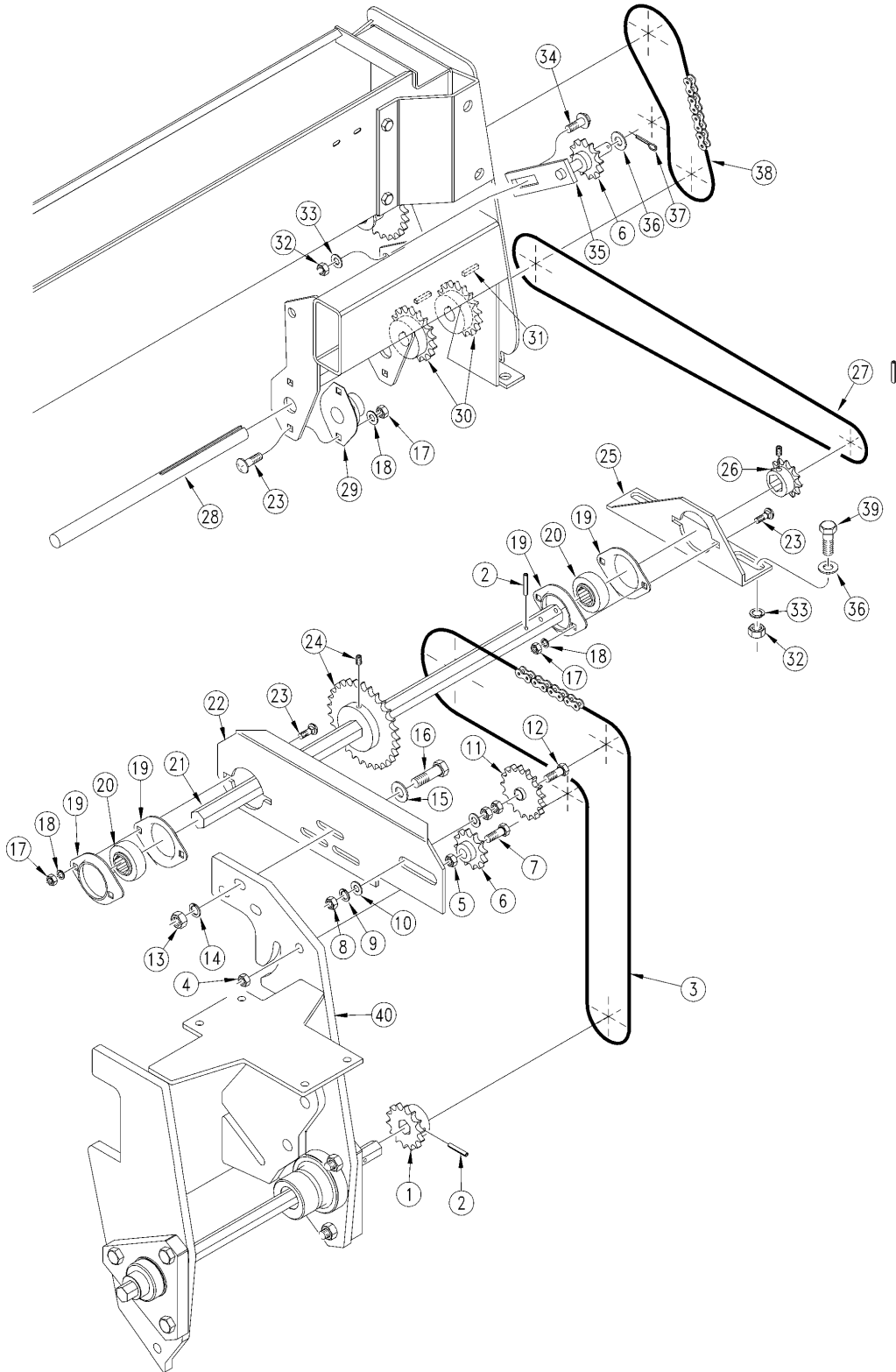
## **Jackshaft Drive**

**(Applies to 1200 (1994+), 1500 (1994+), 2000 (1994+) only)**

<b>Ref</b>	<b>Part No.</b>	<b>Part Description</b>	<b>Comments</b>	<b>Revision</b>
	dwg12065	Image No.		
1.	802-282C	RHSNB 5/16-18X1 GR5		
2.	805-023C	PIN ROLL 3/16X1 1/4 PLT		
3.	822-032C	FLANGETTE 52 MST		
4.	822-119C	BRG 7/8HEXX2.05OD SPH		
5.	803-178C	NUT NYLOCK JAM NUT 1/2-13		
6.	801-019C	SCREW SET SH 1/4-20 X 1/4 LG.		
7.	808-143C	SPKT 40B12 7/8 HEX BORE W/SS		2nd rev.
7.	123-568D	RPBY 808-143C		Use existing stock; 1st rev.
8.	817-025C	NO. 40 12T IDLER SPKT.		
9.	802-044C	HHCS 1/2-13X4 GR5		
10.	136-077D	RPBY 136-054D	Used on 00 Series Standard Openers.	2nd rev.
10.	809-092C	RPBY 136-077D	Used on 00 Series Standard Openers.	Use existing stock; 1st rev.
10.	136-020D	CHAIN RL #40 98 PITCHES	Used on 10 and 20 Series Openers.	2nd rev.
10.	809-042C	RPBY 136-020D	Used on 10 and 20 Series Openers.	Use existing stock; 1st rev.
11.	803-014C	NUT HEX 3/8-16 PLT		
12.	804-013C	WASHER LOCK SPRING 3/8 PLT		
13.	804-011C	WASHER FLAT 3/8 USS PLT		
14.	808-141C	SPKT 40B12 7/8 HEX W/ BRG		
15.	802-022C	HHCS 3/8-16X1 1/2 GR5		
16.	120-226D	SHAFT HEX 7/8 X 18 1/4		
16.	120-254D	20' BEDDED IRRIGATION SHAFT	Used on 20' drills only	
17.	803-008C	NUT HEX 5/16-18 PLT		
18.	804-009C	WASHER LOCK SPRING 5/16 PLT		
19.	804-010C	WASHER FLAT 5/16 USS PLT		
20.	804-017C	WASHER FLAT 1/2 USS PLT		
21.	803-036C	NUT HEX JAM 1/2-13 PLT		
22.	809-137C	RPBY 136-107D		
23.	802-044C	HHCS 1/2-13X4 GR5		

## Small Seeds Drive

(Applies to 1200 (1994+), 1500 (1994+), 2000 (1994+) only)



12165

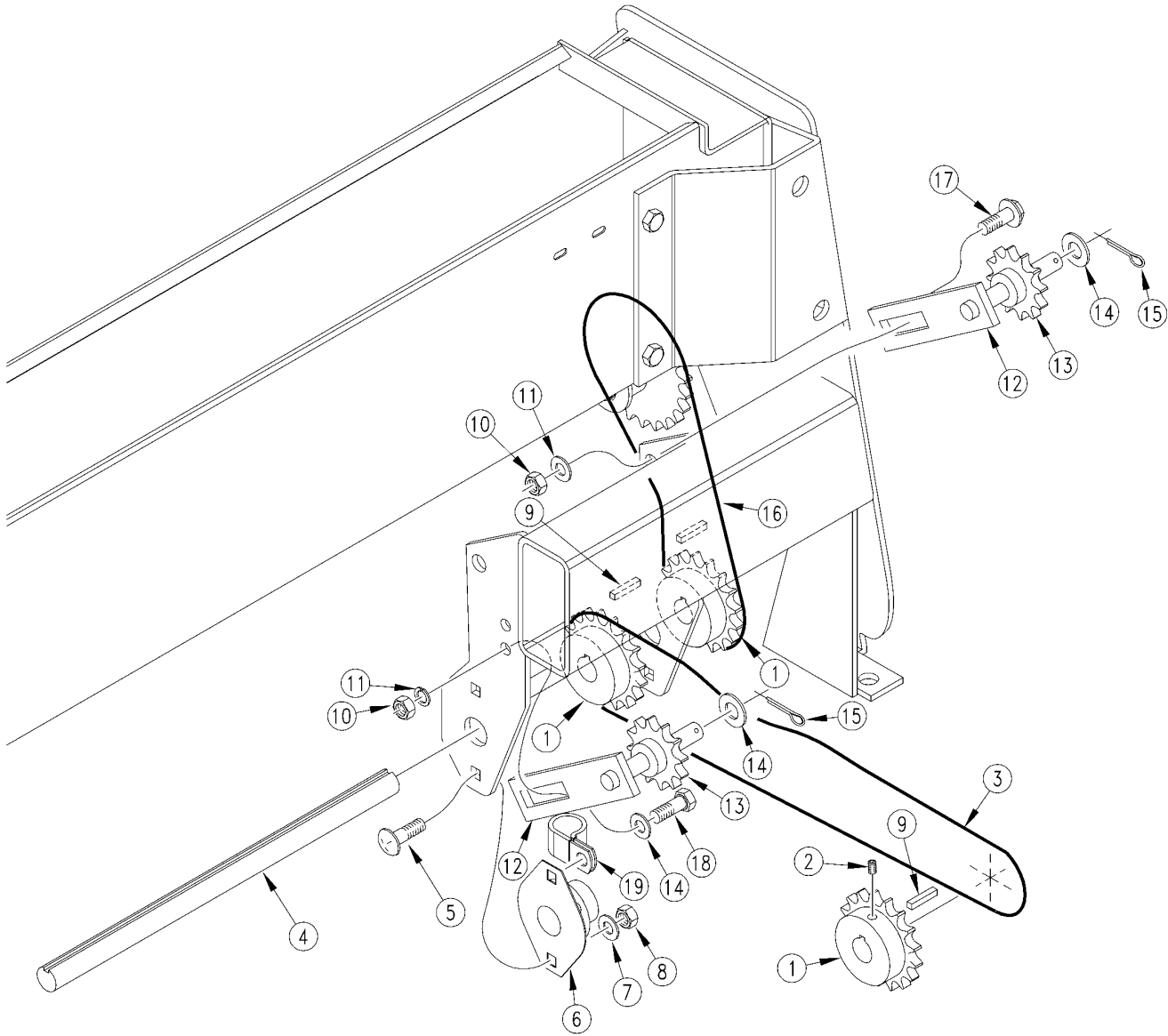
**Small Seeds Drive**

**(Applies to 1200 (1994+), 1500 (1994+), 2000 (1994+) only)**

<b>Ref</b>	<b>Part No.</b>	<b>Part Description</b>	<b>Comments</b>	<b>Revision</b>
	dwg12165	Image No.		
1.	808-167C	SPKT 40B14 X 3/4 HEX BORE		
2.	805-023C	PIN ROLL 3/16X1 1/4 PLT		
3.	809-112C	CHAIN RL #40 X 132 PITCHES	Option 00 Opener.	
3.	136-115D	CHAIN RL #40 142 PITCHES	Option 10 & 20 Openers.	2nd rev.
3.	809-147C	RPBY 136-115D	Option 10 & 20 Openers.	Use existing stock; 1st rev.
4.	803-178C	NUT NYLOCK JAM NUT 1/2-13		
5.	803-036C	NUT HEX JAM 1/2-13 PLT		
6.	817-025C	NO. 40 12T IDLER SPKT.		
7.	802-039C	HHCS 1/2-13X3 GR5		
8.	803-023C	NUT HEX JAM 5/8-11 PLT		
9.	804-022C	WASHER LOCK SPRING 5/8 PLT		
10.	804-019C	WASHER FLAT 5/8 USS PLT		
11.	808-046C	SPROCKET 40A17 IDLER		
12.	802-436C	HHCS 5/8-11X3 1/2 FTHD		
13.	803-014C	NUT HEX 3/8-16 PLT		
14.	804-013C	WASHER LOCK SPRING 3/8 PLT		
15.	804-011C	WASHER FLAT 3/8 USS PLT		
16.	802-022C	HHCS 3/8-16X1 1/2 GR5		
17.	803-008C	NUT HEX 5/16-18 PLT		
18.	804-009C	WASHER LOCK SPRING 5/16 PLT		
19.	822-032C	FLANGETTE 52 MST		
20.	822-119C	BRG 7/8HEXX2.05OD SPH		
21.	120-226D	SHAFT HEX 7/8 X 18 1/4		
21.	120-254D	20' BEDDED IRRIGATION SHAFT	Use on 20' drills only	
22.	123-515D	IDLER AND BRG MOUNT PLATE	00 Series Openers	
22.	123-531D	IDLER AND BRG MNT PLT EXTENDED	10 & 20 Series Openers	
23.	802-282C	RHSNB 5/16-18X1 GR5		
24.	808-168C	SPKT 40B29 X 7/8 HEX BORE & SS		
25.	123-517D	REAR DRIVE BRG MOUNT PLATE LH	Shown	
25.	123-518D	REAR DRIVE BRG MOUNT PLATE RH	20" Drill Right Hand	
26.	808-143C	SPKT 40B12 7/8 HEX BORE W/SS		
27.	809-139C	CHAIN RL #40 X 100 PITCH W/CON		
28.	120-234D	RND SHAFT 3/4 X 13 3/8 W/KW		
29.	822-126C	BRG FLG .75ID 2BOLT		
30.	808-170C	SPKT 40B17 X 3/4BORE W/KW&SS		
31.	168-127D	3/16 X 1 KEY		
32.	803-020C	NUT HEX 1/2-13 PLT		
33.	804-015C	WASHER LOCK SPRING 1/2 PLT		
34.	802-214C	RHSNB 1/2-13X1 1/4 GR5		
35.	123-832H	SLOTTED IDLER ARM 1/2 X 3 5/16		
36.	804-016C	WASHER FLAT 1/2 SAE PLT		
37.	805-067C	PIN COTTER 1/8 X 3/4		
38.	809-115C	#40 CHAIN 60 PITCH W/CON.		
39.	802-091C	HHCS 1/2-13X1 1/2 GR5		
40.	120-209H	GAUGE WHEEL MOUNT LH DRIVE	For 15' & 20" only	
40.	120-210H	GAUGE WHEEL MOUNT RH DRIVE	For 12' only	

**Small Seeds Drive With Fertilizer**

(Applies to 1200 (1994+), 1500 (1994+), 2000 (1994+) only)



13742

**Small Seeds Drive With Fertilizer**

---

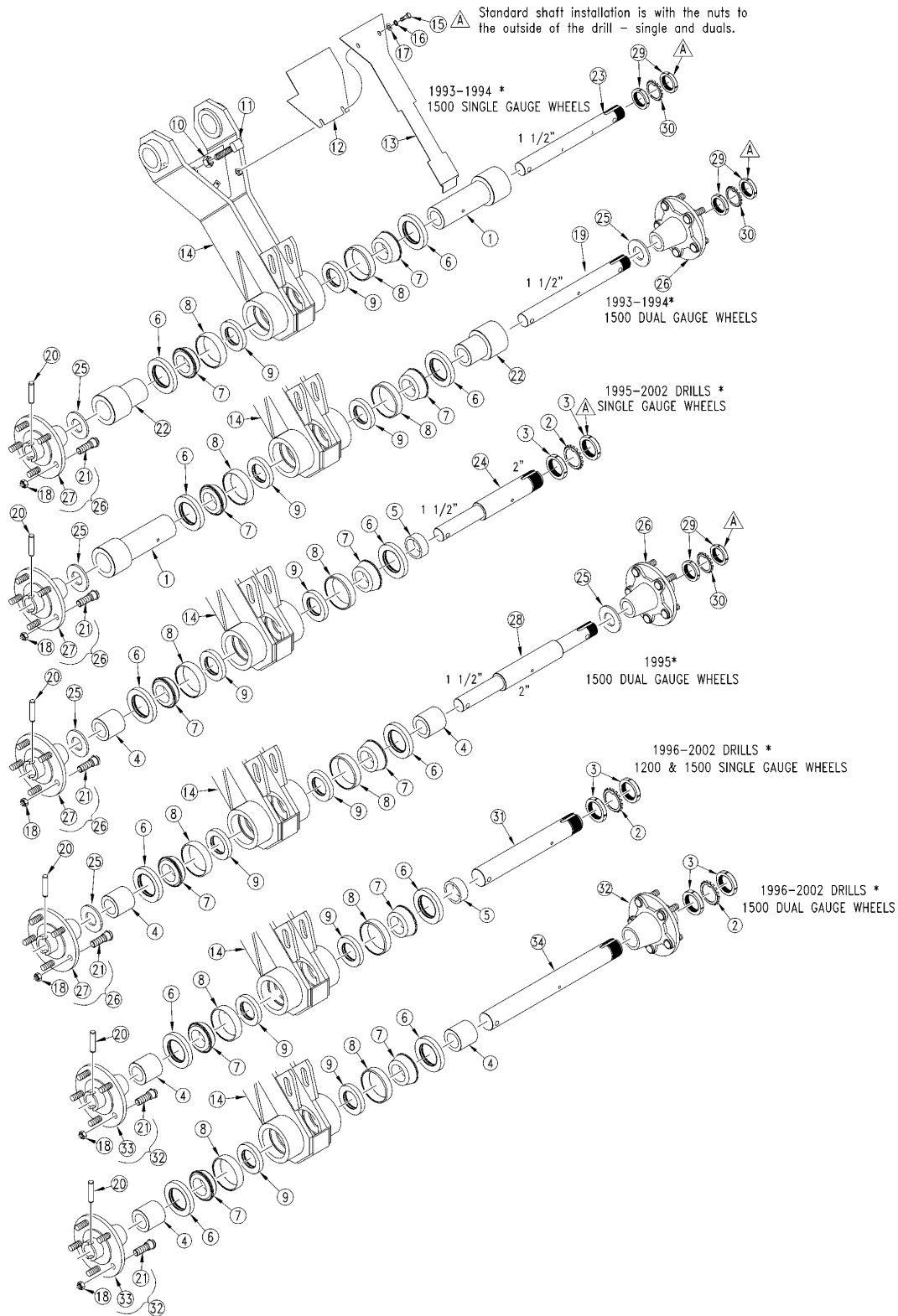
(Applies to 1200 (1994+), 1500 (1994+), 2000 (1994+) only)

Ref	Part No.	Part Description	Comments	Revision
	dwg13742	Image No.		
1.	808-170C	SPKT 40B17 X 3/4BORE W/KW&SS		
2.	801-015C	SCREW SET SCKT HD 1/4-20X1/2		
3.	136-014D	CHAIN RL #40 79 PITCHES		2nd rev.
3.	809-044C	REPLACED BY 136-014D		Use existing stock; 1st rev.
4.	120-234D	RND SHAFT 3/4 X 13 3/8 W/KW		
5.	802-282C	RHSNB 5/16-18X1 GR5		
6.	822-126C	BRG FLG .75ID 2BOLT		
7.	804-009C	WASHER LOCK SPRING 5/16 PLT		
8.	803-008C	NUT HEX 5/16-18 PLT		
9.	168-127D	3/16 X 1 KEY		
10.	803-020C	NUT HEX 1/2-13 PLT		
11.	804-015C	WASHER LOCK SPRING 1/2 PLT		
12.	133-051H	SLOTTED IDLER ARM 1/2 X 3 5/8		
13.	817-025C	NO. 40 12T IDLER SPKT.		
14.	804-017C	WASHER FLAT 1/2 USS PLT		
15.	805-067C	PIN COTTER 1/8 X 3/4		
16.	809-115C	#40 CHAIN 60 PITCH W/CON.		
17.	802-214C	RHSNB 1/2-13X1 1/4 GR5		
18.	802-034C	HHCS 1/2-13X1 1/4 GR5		
19.	800-064C	HOSE CLIP 13/16 ID		

# Table of Contents Part Number Index

## 1200 And 1500 Drive Gauge Wheel Arm (1993-2002)

(Applies to 1200 (1994+), 1500 (1994+) only)



12368

**1200 And 1500 Drive Gauge Wheel Arm (1993-2002)**

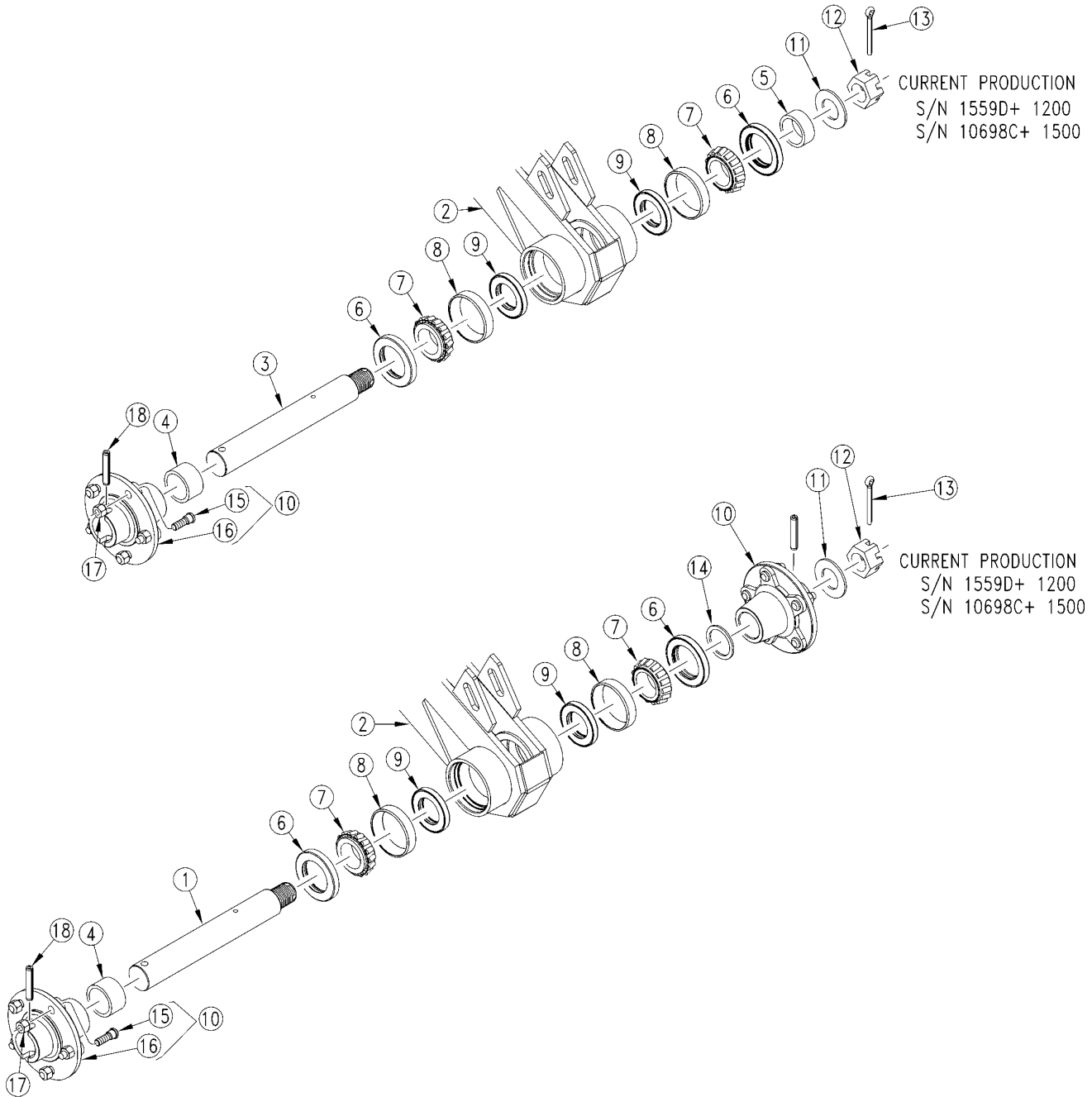
**(Applies to 1200 (1994+), 1500 (1994+) only)**

<b>Ref</b>	<b>Part No.</b>	<b>Part Description</b>	<b>Comments</b>	<b>Revision</b>
	dwg12368	Image No.		
1.	120-240D	BEARING SPACER TUBE, EXTENDED	Single gauge wheels	
2.	804-098C	WASHER BRG LOCK, TW110	For 2 inch shafts	
3.	803-208C	NUT BRG LOCK, TN-10	For 2 inch shafts	
4.	120-242D	AXLE SPACER TUBE;LONG		
5.	120-198D	AXLE SPACER TUBE		
6.	816-138C	SEAL DBL LIP 2.5 ID X 3.881 OD		
6.	816-171C	RPBY 816-138C		
7.	822-117C	BRG CONE 2.00ID TIM33889		
8.	822-118C	BRG CUP 3.75OD TIM33821		
9.	816-012C	SEAL 3.375 X 2.0 X.438 CR20125		
9.	816-172C	RPBY 816-012C		
10.	803-023C	NUT HEX JAM 5/8-11 PLT		
11.	801-059C	SCREW SQ HD 5/8-11X3 1/2 GR5		
12.	120-230D	G.W. ARM EXTENDED CHAIN GUARD		
13.	120-197D	GAUGE WHEEL ARM CHAIN GUARD		
14.	120-208H	GAUGE WHEEL ARM		
15.	802-004C	HHCS 1/4-20X3/4 GR5		
16.	804-006C	WASHER LOCK SPRING 1/4 PLT		
17.	804-007C	WASHER FLAT 1/4 SAE PLT		
18.	803-017C	NUT LUG 1/2-20X90DEG PLT 13/16		
19.	120-193D	SPNDL 1.5X19 9/16W/1.36-18 THD		
20.	805-098C	PIN SPIROL 1/2 X 2 3/4		
21.	802-135C	HUB STUD 1/2-20X1 5/8 GR5		
22.	148-514D	ALL SEEDS AXLE SPACER TUBE		
23.	120-191D	SPNDL 1.5X 15 3/8 W/1.36-18THD		
24.	120-243D	SPNDL 2-1.5X14 27/32W/1.95-18T	Single gauge wheels - before 1996	
25.	804-071C	WASHER FLAT 1 1/2 SAE PLT		
26.	120-216S	HUB 5 BLT 1.5BORE 1/2-20 STUDS		
27.	120-194D	HUB 5-BOLT 1.5 BORE 4PILOT		
28.	120-244D	SPNDL 2-1.5X19 9/16W/1.36-18TH	1500 dual gauge wheels - before 1996	
29.	803-207C	NUT BRG LOCK TN-07	For 1-1/2 inch shafts	
30.	804-097C	WASHER BRG LOCK, TW107	For 1-1/2 inch shafts.	
31.	120-321D	SPNDL 2 X 15 W/ 1.5-12 THD		
32.	120-237S	HUB 5 BOLT SUB ASSEMBLY		
33.	120-253D	HUB 5 BOLT 2 DIA BORE		
34.	120-192D	RPBY 120-315A		

# [Table of Contents](#)   [Part Number Index](#)

## 1200 And 1500 Drive Gauge Wheel Arm (2003+)

(Applies to 1200 (1994+), 1500 (1994+) only)



22548



## 1200 And 1500 Drive Gauge Wheel Arm (2003+)

---

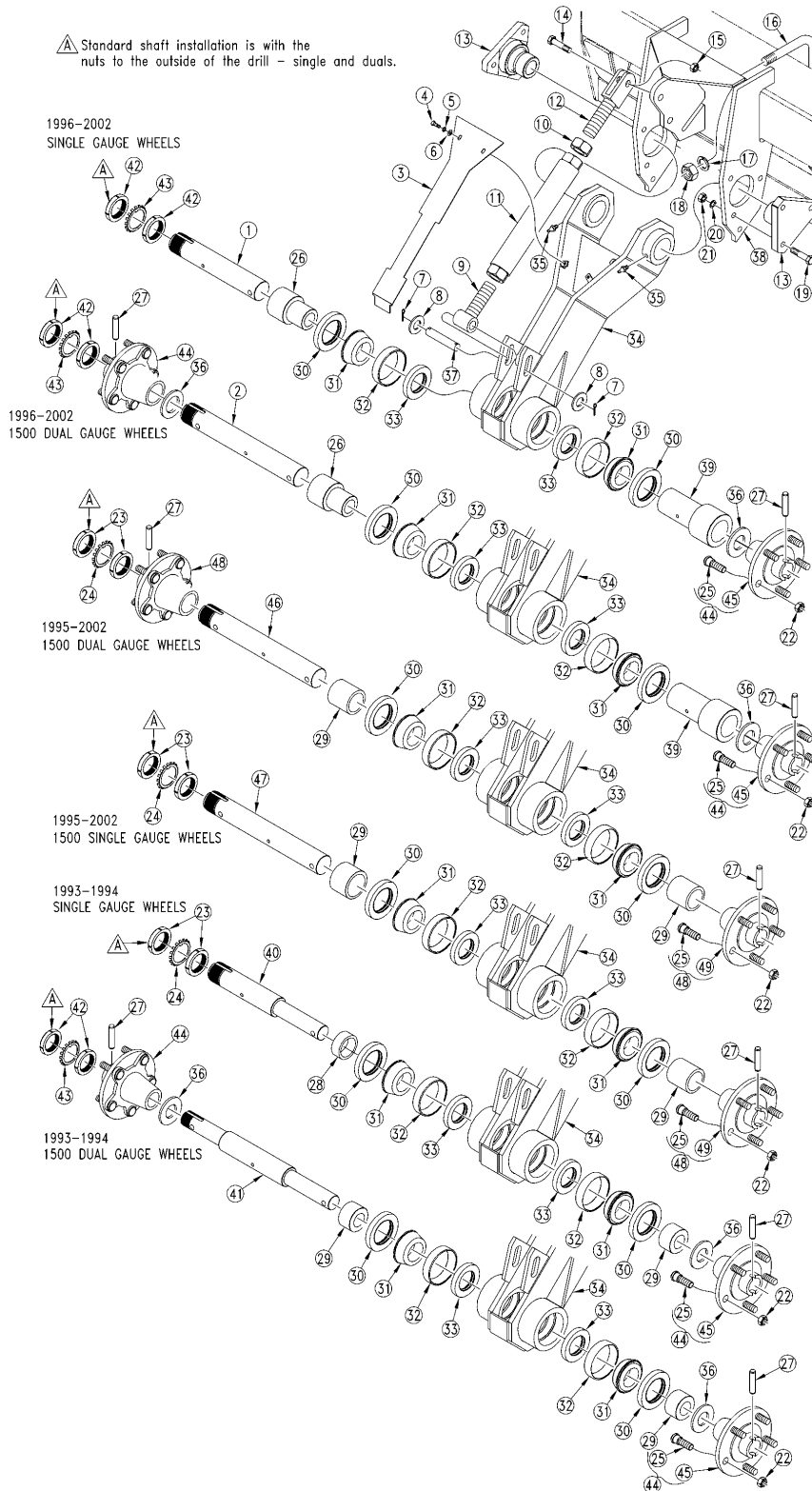
(Applies to 1200 (1994+), 1500 (1994+) only)

Ref	Part No.	Part Description	Comments	Revision
	dwg22548	Image No.		
1.	120-322D	204-064KX 20.53 W/ 1.5-12 THD		
2.	120-208H	GAUGE WHEEL ARM		
3.	120-321D	SPNDL 2 X 15 W/ 1.5-12 THD		
4.	120-242D	AXLE SPACER TUBE;LONG		
5.	120-198D	AXLE SPACER TUBE		
6.	816-138C	SEAL DBL LIP 2.5 ID X 3.881 OD		
7.	822-117C	BRG CONE 2.00ID TIM33889		
8.	822-118C	BRG CUP 3.75OD TIM33821		
9.	816-012C	SEAL 3.375 X 2.0 X.438 CR20125		
10.	120-237S	HUB 5 BOLT SUB ASSEMBLY		
11.	804-182C	WASHER HARD 1 1/2 MILCARB GR8		
12.	803-239C	NUT HEX SLOTTED 1 1/2-12 PLT		
13.	805-148C	PIN COTTER 3/8 X 3 PLT		
14.	195-234D	WASHER FLAT 2 ID X 2 5/8 X 10G		
15.	802-135C	HUB STUD 1/2-20X1 5/8 GR5		
16.	120-253D	HUB 5 BOLT 2 DIA BORE		
17.	803-017C	NUT LUG 1/2-20X90DEG PLT 13/16		
18.	805-098C	PIN SPIROL 1/2 X 2 3/4		

# Table of Contents Part Number Index

## 1200 And 1500 Nondrive Gauge Wheel (1993-2002)

(Applies to 1200 (1994+), 1500 (1994+) only)



12951

**1200 And 1500 Nondrive Gauge Wheel (1993-2002)**

**(Applies to 1200 (1994+), 1500 (1994+) only)**

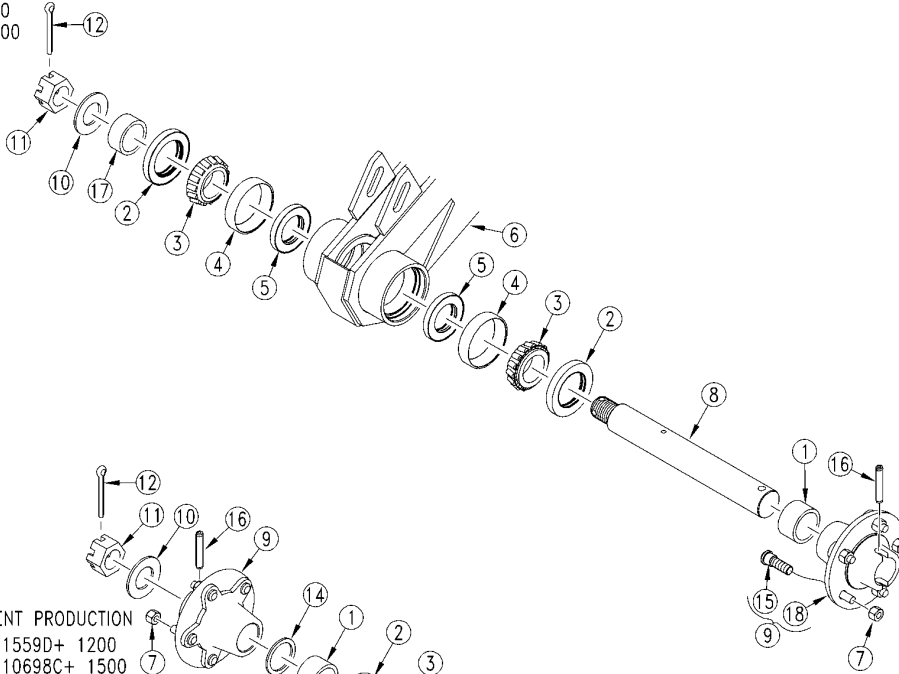
<b>Ref</b>	<b>Part No.</b>	<b>Part Description</b>	<b>Comments</b>	<b>Revision</b>
	dwg12951	Image No.		
1.	120-191D	SPNDL 1.5X 15 3/8 W/1.36-18THD	Single gauge wheels.	
2.	120-193D	SPNDL 1.5X19 9/16W/1.36-18 THD	1500 dual gauge wheels.	
3.	120-197D	GAUGE WHEEL ARM CHAIN GUARD		
4.	802-004C	HHCS 1/4-20X3/4 GR5		
5.	804-006C	WASHER LOCK SPRING 1/4 PLT		
6.	804-007C	WASHER FLAT 1/4 SAE PLT		
7.	805-045C	PIN COTTER 5/32 X 1 1/4 LG		
8.	804-024C	WASHER FLAT 3/4 USS PLT		
9.	120-213H	ADJUSTMENT TUBE EYE BOLT		
10.	803-046C	NUT HEX JAM 1 1/4-7 LH THD PLT		
11.	120-214H	ADJUSTMENT TUBE WLDMT		
12.	120-001E	UPPER GAUGE WHEEL CLEVIS		
13.	120-223D	3 BOLT PIVOT CAST MACHINED		
14.	802-055C	HHCS 5/8-11X2 GR5		
15.	803-148C	NUT HEX NYLOCK 5/8-11 PLT		
16.	806-076C	U-BOLT 3/4-10 X 6 1/32 X 9		
17.	804-023C	WASHER LOCK SPRING 3/4 PLT		
18.	803-027C	NUT HEX 3/4-10 PLT		
19.	802-082C	HHCS 1/2-13X1 3/4 GR5		
20.	804-015C	WASHER LOCK SPRING 1/2 PLT		
21.	803-020C	NUT HEX 1/2-13 PLT		
22.	803-017C	NUT LUG 1/2-20X90DEG PLT 13/16		
23.	803-208C	NUT BRG LOCK, TN-10	For 2 inch shaft.	
24.	804-098C	WASHER BRG LOCK, TW110	For 2 inch shaft.	
25.	802-135C	HUB STUD 1/2-20X1 5/8 GR5		
26.	148-514D	ALL SEEDS AXLE SPACER TUBE		
27.	805-098C	PIN SPIROL 1/2 X 2 3/4		
28.	120-198D	AXLE SPACER TUBE		
29.	120-242D	AXLE SPACER TUBE;LONG		
30.	816-138C	SEAL DBL LIP 2.5 ID X 3.881 OD		2nd rev.
30.	816-171C	RPBY 816-138C		Use existing stock; 1st rev.
31.	822-117C	BRG CONE 2.00ID TIM33889		
32.	822-118C	BRG CUP 3.75OD TIM33821		
33.	816-012C	SEAL 3.375 X 2.0 X.438 CR20125		2nd rev.
33.	816-172C	RPBY 816-012C		Use existing stock; 1st rev.
34.	120-208H	GAUGE WHEEL ARM		
35.	800-001C	GREASE ZERK STRAIGHT 1/4-28		
36.	804-071C	WASHER FLAT 1 1/2 SAE PLT		
37.	120-229D	PIN,3/4X3 1/4 USE W/3/16 HOLES		
38.	120-217H	GAUGE WHEEL MOUNT NON DRIVE		
39.	120-240D	BEARING SPACER TUBE, EXTENDED	Includes items 25 and 26.	
40.	120-243D	SPNDL 2-1.5X14 27/32W/1.95-18T	Single gauge wheels - before 1996.	
41.	120-244D	SPNDL 2-1.5X19 9/16W/1.36-18TH	1500 dual gauge wheels - before 1996.	
42.	803-207C	NUT BRG LOCK TN-07	For 1-1/2 inch shaft.	
43.	804-097C	WASHER BRG LOCK, TW107	For 1-1/2 inch shaft.	
44.	120-216S	HUB 5 BLT 1.5BORE 1/2-20 STUDS	Includes items 25 and 46.	
45.	120-194D	HUB 5-BOLT 1.5 BORE 4PILOT		
46.	120-192D	RPBY 120-315A		
47.	120-224D	RPBY 120-314A		
48.	120-237S	HUB 5 BOLT SUB ASSEMBLY		
49.	120-253D	HUB 5 BOLT 2 DIA BORE		

# [Table of Contents](#)   [Part Number Index](#)

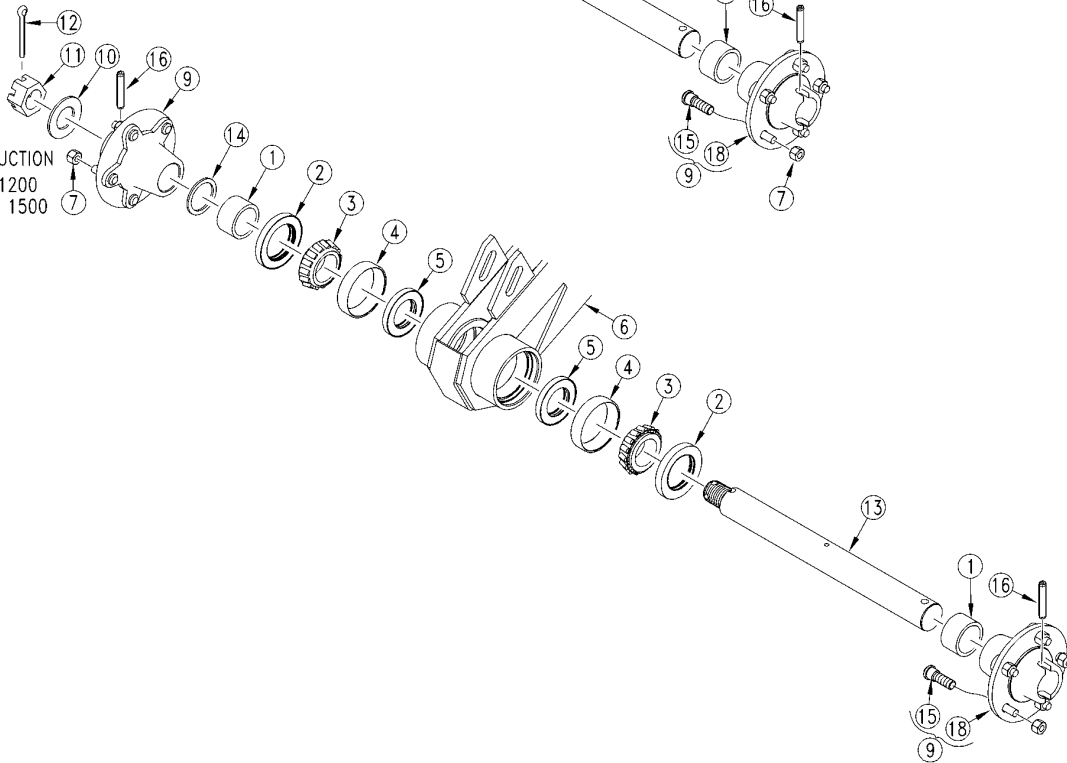
## 1200 And 1500 Nondrive Gauge Wheel (2003+)

(Applies to 1200 (1994+), 1500 (1994+) only)

CURRENT PRODUCTION  
S/N 1559D+ 1200  
S/N 10698C+ 1500



CURRENT PRODUCTION  
S/N 1559D+ 1200  
S/N 10698C+ 1500



**1200 And 1500 Nondrive Gauge Wheel (2003+)**

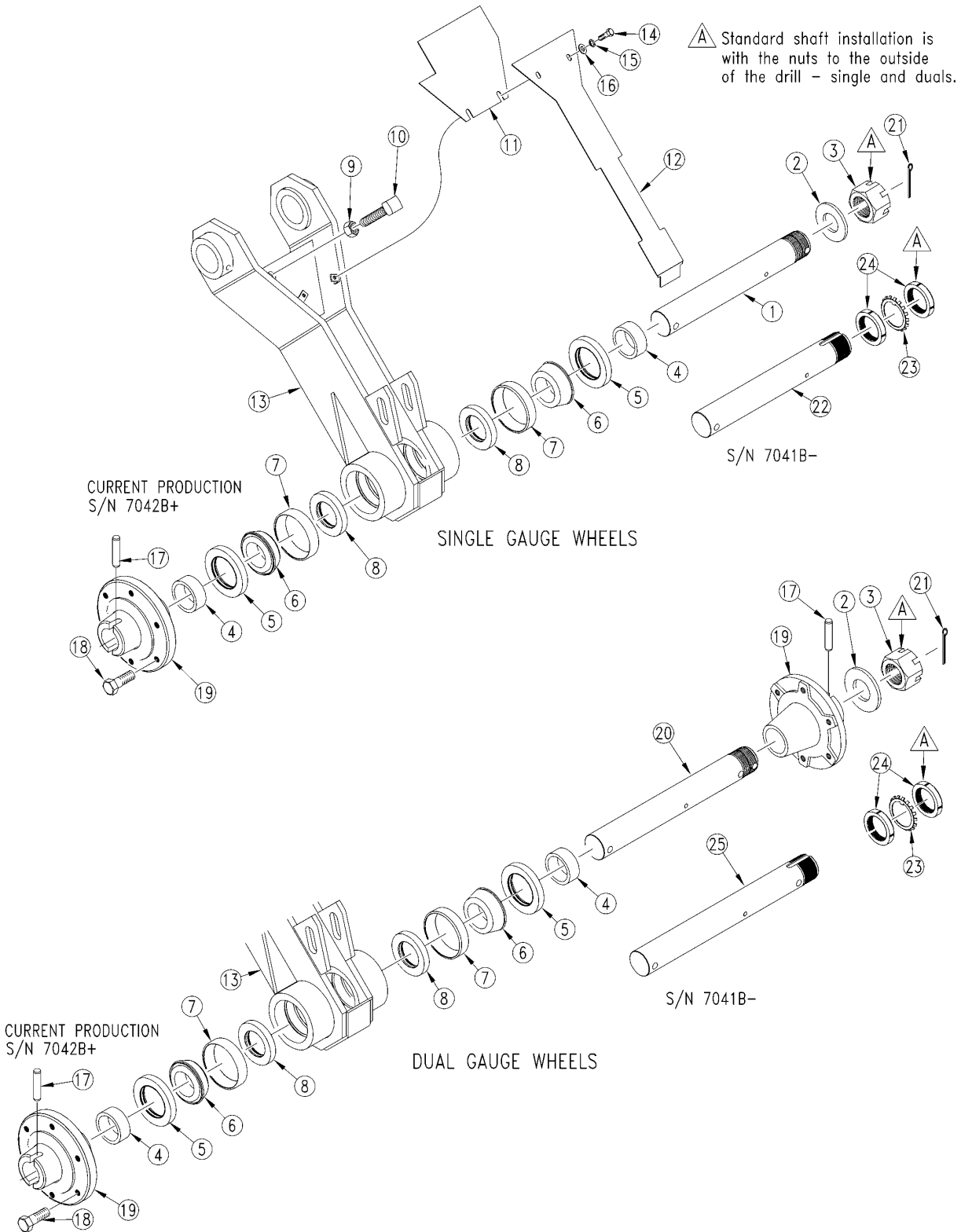
---

(Applies to 1200 (1994+), 1500 (1994+) only)

Ref	Part No.	Part Description	Comments	Revision
	dwg22549	Image No.		
1.	120-242D	AXLE SPACER TUBE;LONG		
2.	816-138C	SEAL DBL LIP 2.5 ID X 3.881 OD		
3.	822-117C	BRG CONE 2.00ID TIM33889		
4.	822-118C	BRG CUP 3.75OD TIM33821		
5.	816-012C	SEAL 3.375 X 2.0 X.438 CR20125		
6.	120-208H	GAUGE WHEEL ARM		
7.	803-017C	NUT LUG 1/2-20X90DEG PLT 13/16		
8.	120-321D	SPNDL 2 X 15 W/ 1.5-12 THD		
9.	120-237S	HUB 5 BOLT SUB ASSEMBLY		
10.	804-182C	WASHER HARD 1 1/2 MILCARB GR8		
11.	803-239C	NUT HEX SLOTTED 1 1/2-12 PLT		
12.	805-148C	PIN COTTER 3/8 X 3 PLT		
13.	120-322D	204-064KX 20.53 W/ 1.5-12 THD		
14.	195-234D	WASHER FLAT 2 ID X 2 5/8 X 10G		
15.	802-135C	HUB STUD 1/2-20X1 5/8 GR5		
16.	805-098C	PIN SPIROL 1/2 X 2 3/4		
17.	120-198D	AXLE SPACER TUBE		
18.	120-253D	HUB 5 BOLT 2 DIA BORE		

## 2000 Drive Gauge Wheel Arm

(Applies to 2000 (1994+) only)



18784

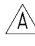
**2000 Drive Gauge Wheel Arm**

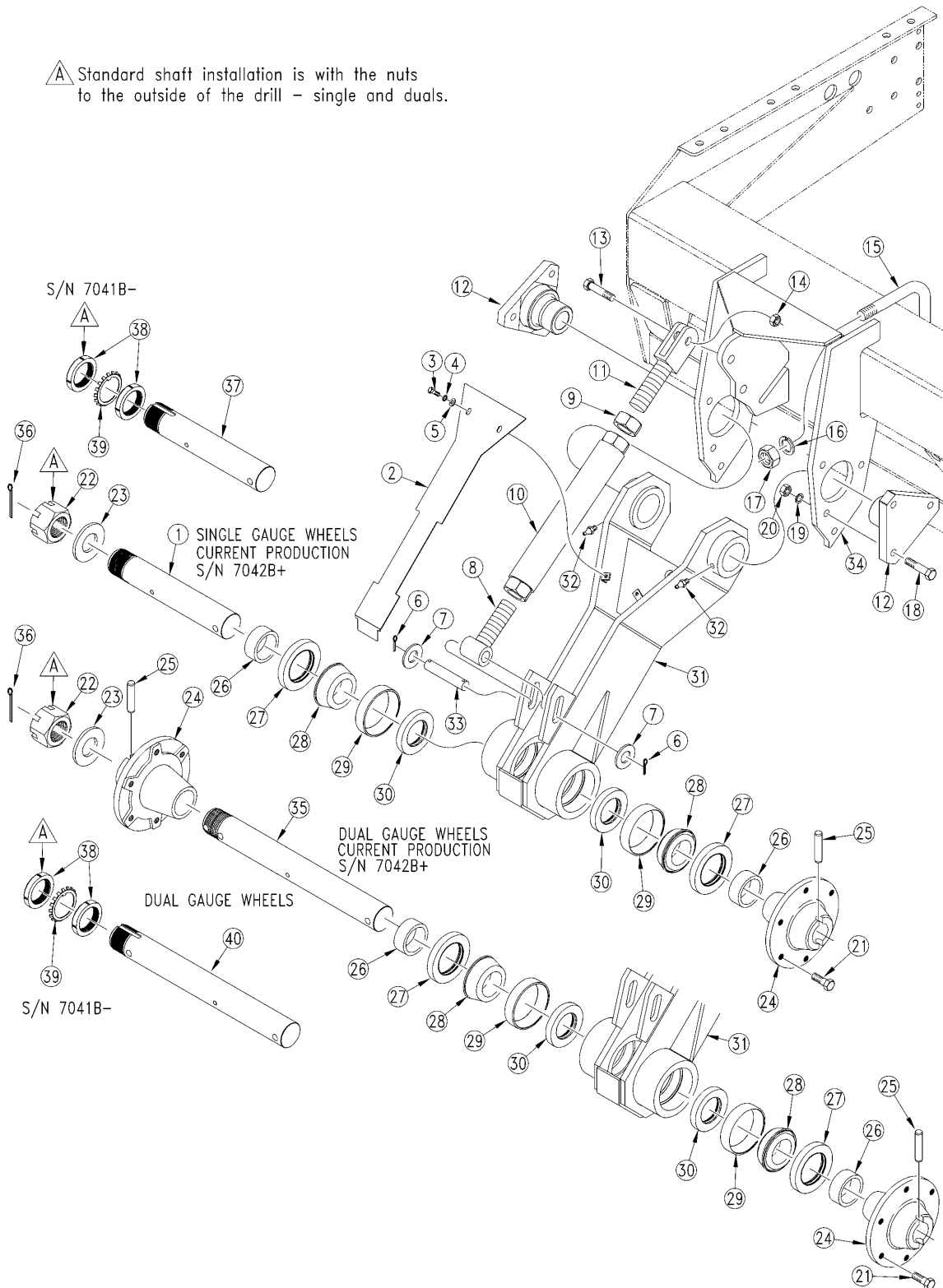
**(Applies to 2000 (1994+) only)**

<b>Ref</b>	<b>Part No.</b>	<b>Part Description</b>	<b>Comments</b>	<b>Revision</b>
	dwg18784	Image No.		
1.	120-321D	SPNDL 2 X 15 W/ 1.5-12 THD	(S/N 7042B+) Single gauge wheels.	2nd rev.
2.	804-182C	WASHER HARD 1 1/2 MILCARB GR8	(S/N 7042B+)	2nd rev.
3.	803-239C	NUT HEX SLOTTED 1 1/2-12 PLT	(S/N 7042B+)	2nd rev.
4.	120-198D	AXLE SPACER TUBE		
5.	816-138C	SEAL DBL LIP 2.5 ID X 3.881 OD		2nd rev.
5.	816-171C	RPBY 816-138C		Use existing stock; 1st rev.
6.	822-117C	BRG CONE 2.00ID TIM33889		
7.	822-118C	BRG CUP 3.75OD TIM33821		
8.	816-012C	SEAL 3.375 X 2.0 X.438 CR20125		2nd rev.
8.	816-172C	RPBY 816-012C		Use existing stock; 1st rev.
9.	803-023C	NUT HEX JAM 5/8-11 PLT		
10.	801-059C	SCREW SQ HD 5/8-11X3 1/2 GR5		
11.	120-230D	G.W. ARM EXTENDED CHAIN GUARD		
12.	120-197D	GAUGE WHEEL ARM CHAIN GUARD		
13.	120-208H	GAUGE WHEEL ARM		
14.	802-004C	HHCS 1/4-20X3/4 GR5		
15.	804-006C	WASHER LOCK SPRING 1/4 PLT		
16.	804-007C	WASHER FLAT 1/4 SAE PLT		
17.	805-098C	PIN SPIROL 1/2 X 2 3/4		
18.	802-135C	HUB STUD 1/2-20X1 5/8 GR5		
19.	120-195D	HUB 6-BOLT 2 BORE 4.62 PILOT		
20.	120-322D	204-064KX 20.53 W/ 1.5-12 THD	(S/N 7042B+) Dual gauge wheels.	2nd rev.
21.	805-148C	PIN COTTER 3/8 X 3 PLT		
22.	120-224D	RPBY 120-314A	(S/N 7041B-) Single gauge wheels.	1st rev.
23.	804-098C	WASHER BRG LOCK, TW110	(S/N 7041B-)	1st rev.
24.	803-208C	NUT BRG LOCK, TN-10	(S/N 7041B-)	1st rev.
25.	120-192D	RPBY 120-315A	(S/N 7041B-) Dual gauge wheels.	1st rev.

# 2000 Nondrive Gauge Wheel

(Applies to 2000 (1994+) only)

 Standard shaft installation is with the nuts to the outside of the drill – single and duals.



12940



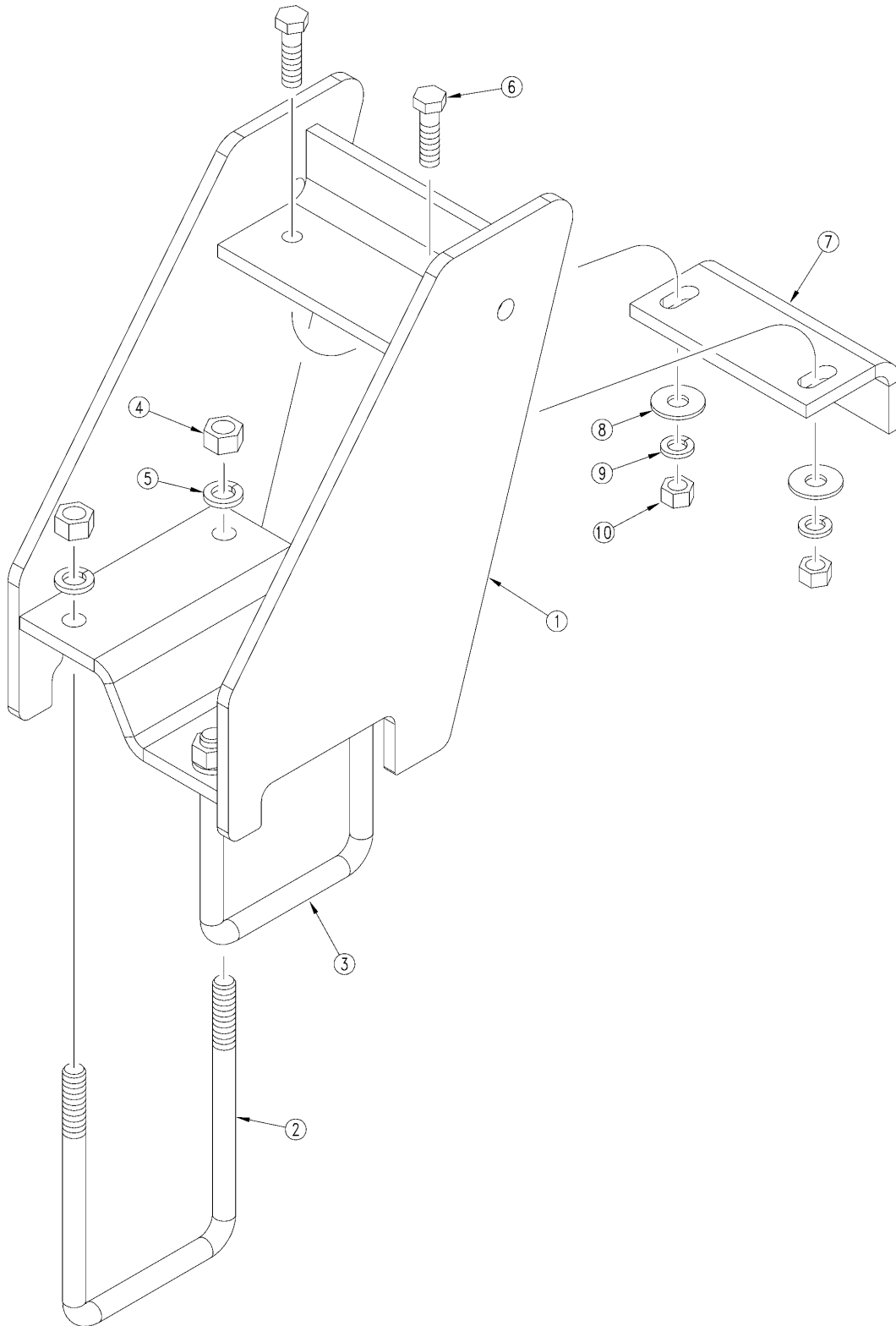
**2000 Nondrive Gauge Wheel**

**(Applies to 2000 (1994+) only)**

<b>Ref</b>	<b>Part No.</b>	<b>Part Description</b>	<b>Comments</b>	<b>Revision</b>
	dwg12940	Image No.		
1.	120-321D	SPNDL 2 X 15 W/ 1.5-12 THD	(S/N 7042B+) Single gauge wheels.	2nd rev.
2.	120-197D	GAUGE WHEEL ARM CHAIN GUARD		
3.	802-004C	HHCS 1/4-20X3/4 GR5		
4.	804-006C	WASHER LOCK SPRING 1/4 PLT		
5.	804-007C	WASHER FLAT 1/4 SAE PLT		
6.	805-045C	PIN COTTER 5/32 X 1 1/4 LG		
7.	804-024C	WASHER FLAT 3/4 USS PLT		
8.	120-213H	ADJUSTMENT TUBE EYE BOLT		
9.	803-046C	NUT HEX JAM 1 1/4-7 LH THD PLT		
10.	120-214H	ADJUSTMENT TUBE WLDMT		
11.	120-001E	UPPER GAUGE WHEEL CLEVIS		
12.	120-223D	3 BOLT PIVOT CAST MACHINED		
13.	802-055C	HHCS 5/8-11X2 GR5		
14.	803-148C	NUT HEX NYLOCK 5/8-11 PLT		
15.	806-076C	U-BOLT 3/4-10 X 6 1/32 X 9		
16.	804-023C	WASHER LOCK SPRING 3/4 PLT		
17.	803-027C	NUT HEX 3/4-10 PLT		
18.	802-082C	HHCS 1/2-13X1 3/4 GR5		
19.	804-015C	WASHER LOCK SPRING 1/2 PLT		
20.	803-020C	NUT HEX 1/2-13 PLT		
21.	802-104C	BOLT WHEEL 1/2-20X1 90-DEG		
22.	803-239C	NUT HEX SLOTTED 1 1/2-12 PLT	(S/N 7042B+)	2nd rev.
23.	804-182C	WASHER HARD 1 1/2 MILCARB GR8	(S/N 7042B+)	2nd rev.
24.	120-195D	HUB 6-BOLT 2 BORE 4.62 PILOT		
25.	805-098C	PIN SPIROL 1/2 X 2 3/4		
26.	120-198D	AXLE SPACER TUBE		
27.	816-138C	SEAL DBL LIP 2.5 ID X 3.881 OD		2nd rev.
27.	816-171C	RPBY 816-138C		Use existing stock; 1st rev.
28.	822-117C	BRG CONE 2.00ID TIM33889		
29.	822-118C	BRG CUP 3.75OD TIM33821		
30.	816-012C	SEAL 3.375 X 2.0 X.438 CR20125		2nd rev.
30.	816-172C	RPBY 816-012C		Use existing stock; 1st rev.
31.	120-208H	GAUGE WHEEL ARM		
32.	800-001C	GREASE ZERK STRAIGHT 1/4-28		
33.	120-229D	PIN,3/4X3 1/4 USE W/3/16 HOLES		
34.	120-217H	GAUGE WHEEL MOUNT NON DRIVE		
35.	120-322D	204-064KX 20.53 W/ 1.5-12 THD	(S/N 7042B+) Dual gauge wheels.	2nd rev.
36.	805-148C	PIN COTTER 3/8 X 3 PLT		
37.	120-224D	RPBY 120-314A	(S/N 7041B-) Single gauge wheels.	1st rev.
38.	803-208C	NUT BRG LOCK, TN-10	(S/N 7041B-)	1st rev.
39.	804-098C	WASHER BRG LOCK, TW110	(S/N 7041B-)	1st rev.
40.	120-192D	RPBY 120-315A	(S/N 7041B-) Dual gauge wheels.	1st rev.

## 2000 Weight Bracket

(Applies to 2000 (1994+) only)



24412

## 2000 Weight Bracket

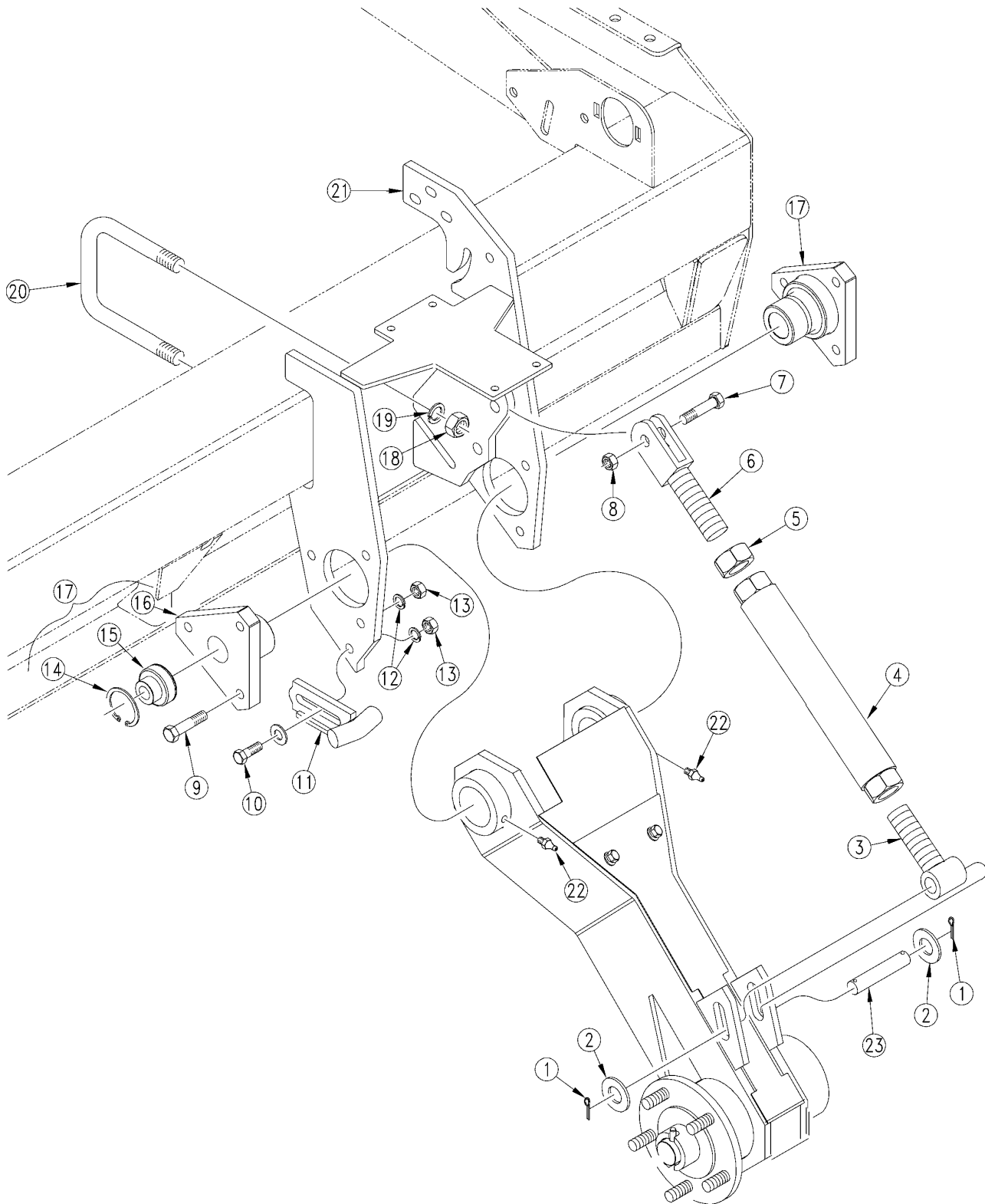
---

(Applies to 2000 (1994+) only)

Ref	Part No.	Part Description	Comments	Revision
	dwg24412	Image No.		
1.	118-070H	WEIGHT BRACKET WELDMENT-RH		
1.	118-069H	WEIGHT BRACKET WELDMENT-LH		
2.	806-089C	U-BOLT 3/4-10 X 6 1/16 X 9 5/8		
3.	806-093C	U-BOLT 3/4-10 6 1/32 X 7 3/4		
4.	803-027C	NUT HEX 3/4-10 PLT		
5.	804-023C	WASHER LOCK SPRING 3/4 PLT		
6.	802-057C	HHCS 5/8-11X2 1/4 GR5		
7.	197-062D	WEIGHT BRACKET ADJ LEG		
8.	804-019C	WASHER FLAT 5/8 USS PLT		
9.	804-022C	WASHER LOCK SPRING 5/8 PLT		
10.	803-021C	NUT HEX 5/8-11 PLT		

# Drive Gauge Wheel Mount

(Applies to 1200 (1994+), 1500 (1994+), 2000 (1994+) only)



18786

## ***Drive Gauge Wheel Mount***

**(Applies to 1200 (1994+), 1500 (1994+), 2000 (1994+) only)**

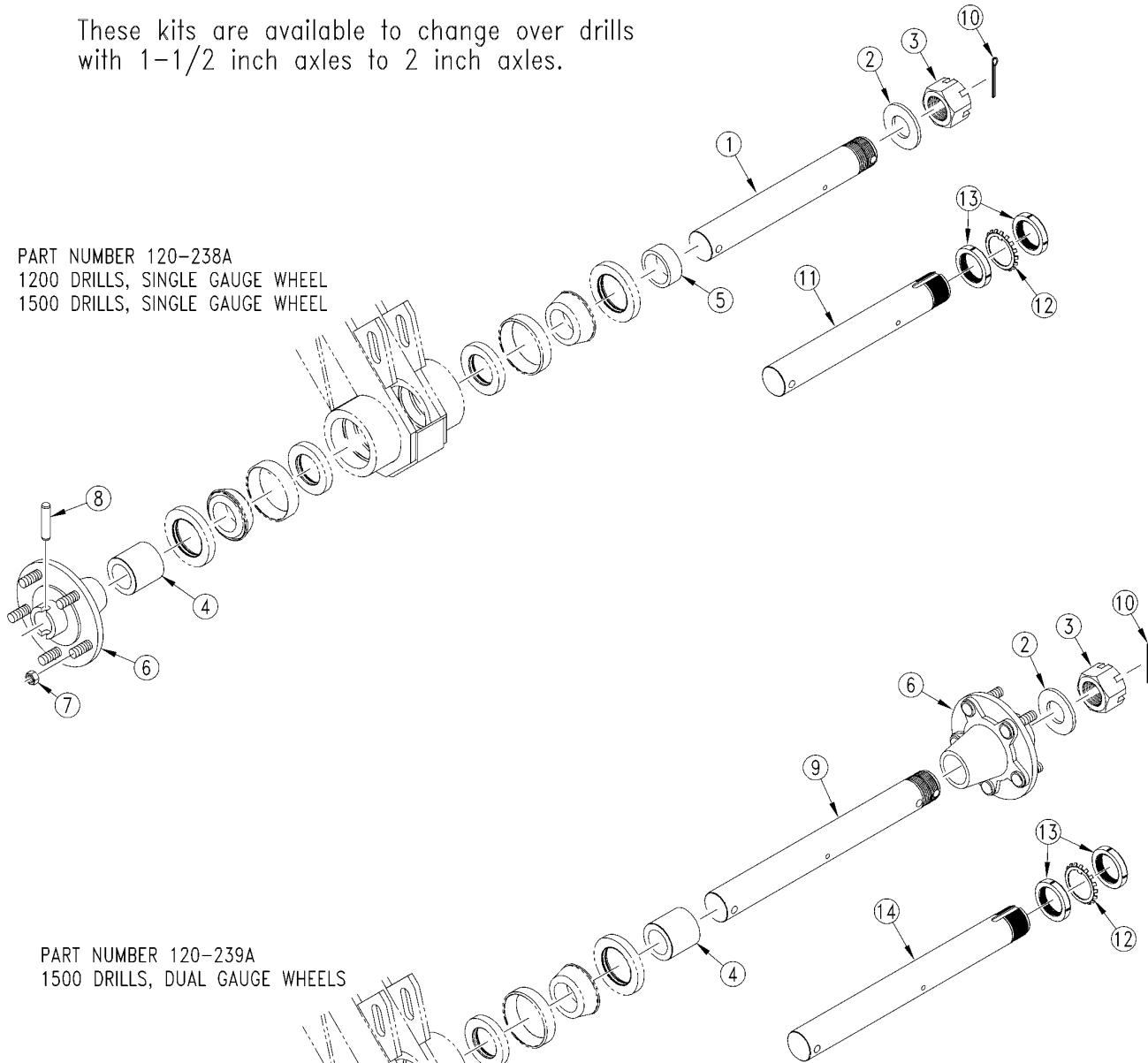
<b>Ref</b>	<b>Part No.</b>	<b>Part Description</b>	<b>Comments</b>	<b>Revision</b>
	dwg18786	Image No.		
1.	805-045C	PIN COTTER 5/32 X 1 1/4 LG		
2.	804-024C	WASHER FLAT 3/4 USS PLT		
3.	120-213H	ADJUSTMENT TUBE EYE BOLT		
4.	120-214H	ADJUSTMENT TUBE WLDMT		
5.	803-046C	NUT HEX JAM 1 1/4-7 LH THD PLT		
6.	120-001E	UPPER GAUGE WHEEL CLEVIS		
7.	802-055C	HHCS 5/8-11X2 GR5		
8.	803-148C	NUT HEX NYLOCK 5/8-11 PLT		
9.	802-082C	HHCS 1/2-13X1 3/4 GR5		
10.	802-091C	HHCS 1/2-13X1 1/2 GR5		
11.	120-211H	GAUGE WHEEL BRAKE		
12.	804-015C	WASHER LOCK SPRING 1/2 PLT		
13.	803-020C	NUT HEX 1/2-13 PLT		
14.	800-038C	SNAP RING INT. 2.05 OD		
15.	188-004V	BEARING .755 HEX BORE W/S-S		
16.	120-188D	3 BOLT PIVOT CAST W/BRG SEAT		
17.	120-215S	3 BOLT PIVOT BEARING ASSY	Includes items 14, 15 and 16.	
18.	803-027C	NUT HEX 3/4-10 PLT		
19.	804-023C	WASHER LOCK SPRING 3/4 PLT		
20.	806-076C	U-BOLT 3/4-10 X 6 1/32 X 9		
21.	120-209H	GAUGE WHEEL MOUNT LH DRIVE	(Shown). For 15' & 20' only.	
21.	120-210H	GAUGE WHEEL MOUNT RH DRIVE	For 12' only	
22.	800-001C	GREASE ZERK STRAIGHT 1/4-28		
23.	120-229D	PIN,3/4X3 1/4 USE W/3/16 HOLES		

## Gauge Wheel Axle Field Update Kits

(Applies to 1200 (1994+), 1500 (1994+), 2000 (1994+) only)

These kits are available to change over drills with 1-1/2 inch axles to 2 inch axles.

PART NUMBER 120-238A  
1200 DRILLS, SINGLE GAUGE WHEEL  
1500 DRILLS, SINGLE GAUGE WHEEL



PART NUMBER 120-239A  
1500 DRILLS, DUAL GAUGE WHEELS

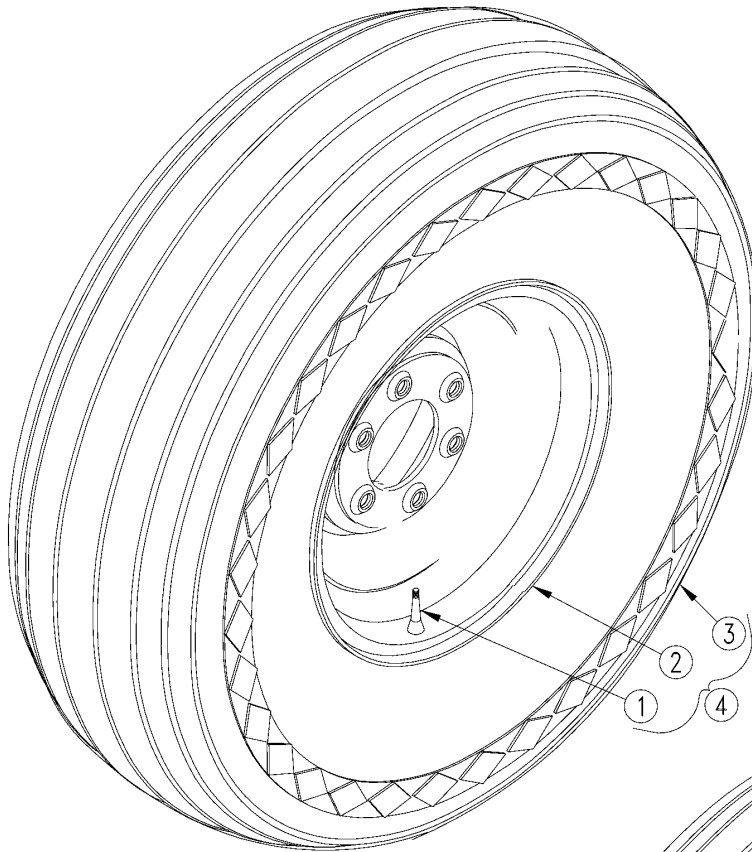
## **Gauge Wheel Axle Field Update Kits**

**(Applies to 1200 (1994+), 1500 (1994+), 2000 (1994+) only)**

<b>Ref</b>	<b>Part No.</b>	<b>Part Description</b>	<b>Comments</b>	<b>Revision</b>
	dwg18785	Image No.		
1.	120-321D	SPNDL 2 X 15 W/ 1.5-12 THD	(1200, S/N1561D+) (1500, S/N10697C+) (Single gauge wheels.)	2nd rev.
2.	804-182C	WASHER HARD 1 1/2 MILCARB GR8	(1200, S/N1561D+) (1500, S/N10697C+)	2nd rev.
3.	803-239C	NUT HEX SLOTTED 1 1/2-12 PLT	(1200, S/N1561D+) (1500, S/N10697C+)	2nd rev.
4.	120-242D	AXLE SPACER TUBE;LONG		
5.	120-198D	AXLE SPACER TUBE		
6.	120-237S	HUB 5 BOLT SUB ASSEMBLY		
7.	803-017C	NUT LUG 1/2-20X90DEG PLT 13/16		
8.	805-098C	PIN SPIROL 1/2 X 2 3/4		
9.	120-322D	204-064KX 20.53 W/ 1.5-12 THD	(1200, S/N1561D+) (1500, S/N10697C+) (1500 dual gauge wheels.)	2nd rev.
10.	805-148C	PIN COTTER 3/8 X 3 PLT		
11.	120-224D	RPBY 120-314A	(1200, S/N1560D-) (1500, S/N10696C-) (Single gauge wheels.)	1st rev.
12.	804-098C	WASHER BRG LOCK, TW110	(1200, S/N1560D-) (1500, S/N10696C-)	1st rev.
13.	803-208C	NUT BRG LOCK, TN-10	(1200, S/N1560D-) (1500, S/N10696C-)	1st rev.
14.	120-192D	RPBY 120-315A	(1200, S/N1560D-) (1500, S/N10696C-) (1500 dual gauge wheels.)	1st rev.

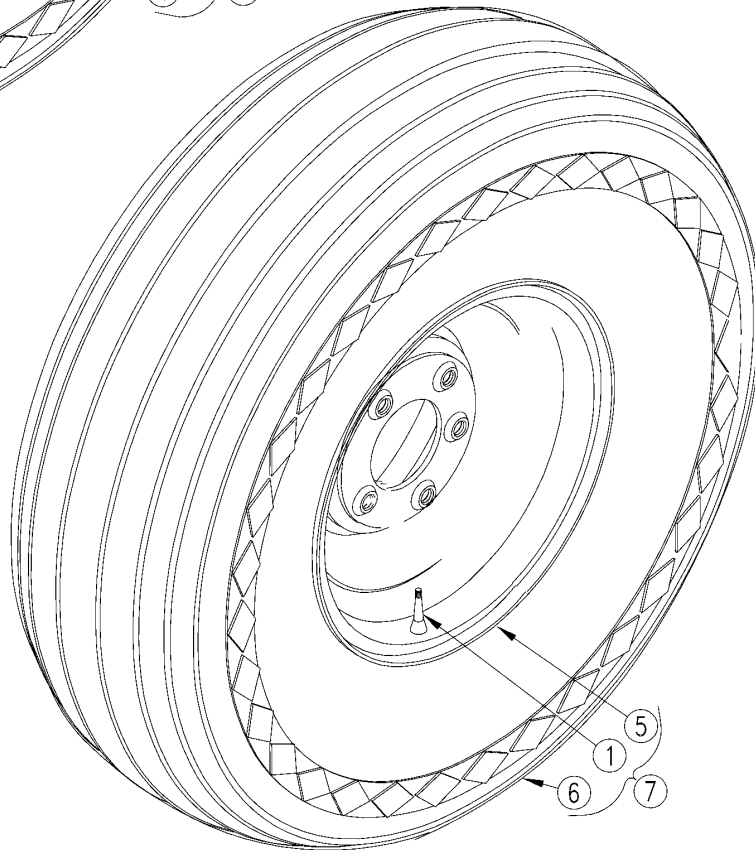
## Gauge Wheel Tire

(Applies to 1200 (1994+), 1500 (1994+), 2000 (1994+) only)



For 2000 drills.

For 1200 and 1500 drills





## ***Gauge Wheel Tire***

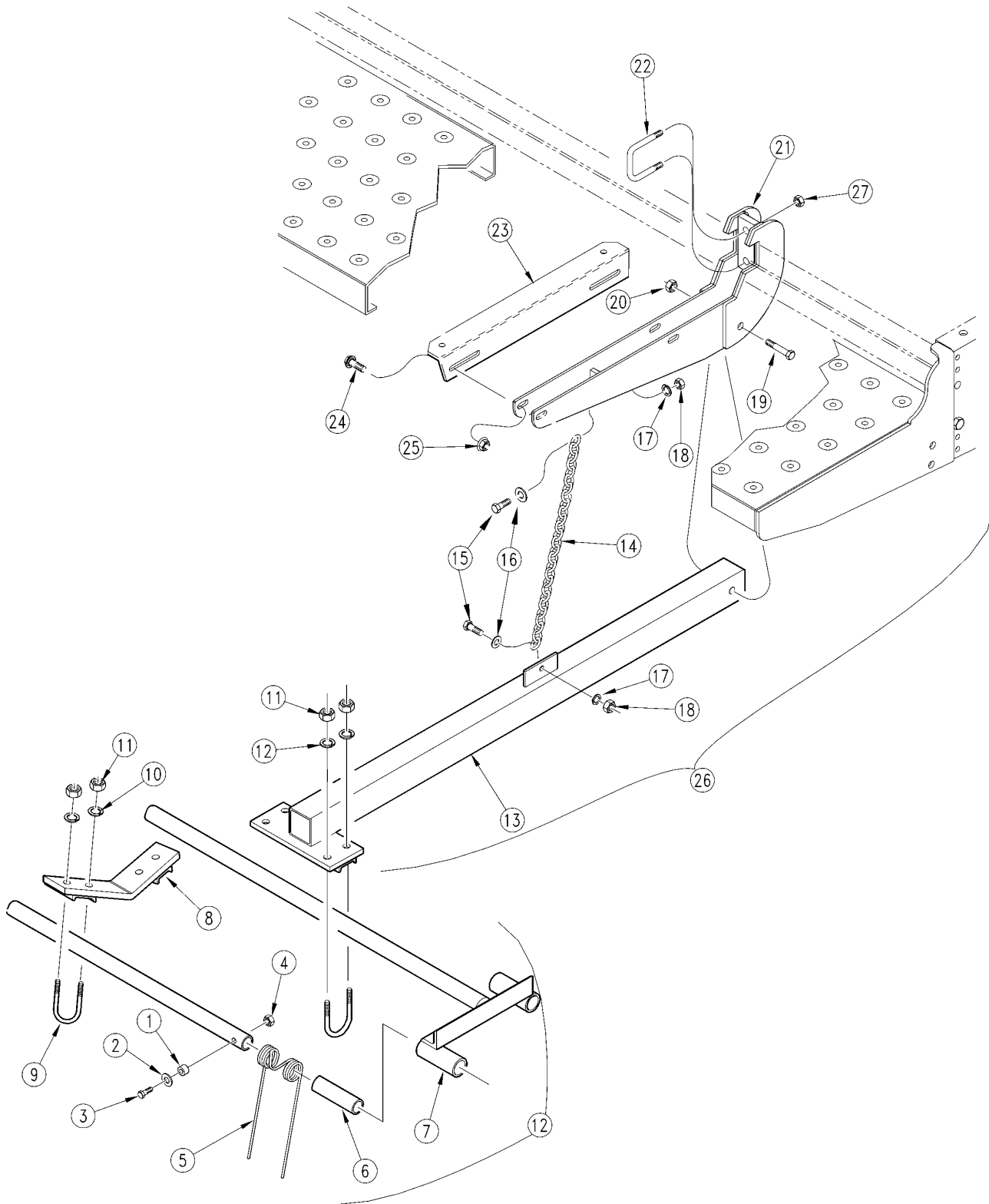
---

**(Applies to 1200 (1994+), 1500 (1994+), 2000 (1994+) only)**

<b>Ref</b>	<b>Part No.</b>	<b>Part Description</b>	<b>Comments</b>	<b>Revision</b>
	dwg18826	Image No.		
1.	816-035C	VALVE STEM TR415X.625X1 1/4 LG		
2.	814-008C	WHEEL 8 X 15 X 6 BOLT	(2000 S/N 9210B-)	
2.	814-540C	WHEEL 15X8 6 BOLT BUCKSKIN	(2000 S/N 9211B+)	
3.	814-038C	TIRE 11L-15 X 8 PLY		
4.	197-148K	TITAN TIRE 11L-15 8 PLY 6 BLT	(2000 S/N 9210B-)	
4.	197-189K	TITAN TIRE 11L-15 8PLY6BLT BKSN	(2000 S/N 9211B+)	
5.	814-005C	WHEEL 6 X 15 X 5 BOLT	(1200 S/N 1790D-)(1500 S/N 11958C-)	
5.	814-556C	WHEEL 6X15X5 BLT BUCKSKIN	(1200 S/N 1791D+)(1500 S/N 11959C+)	
6.	814-026C	TIRE 9.5L X 15 6 PLY RIB IMP		
7.	109-058K	TIRE 9.5LX15 ON 6IN 5BOLT RIM	(1200 S/N 1790D-)(1500 S/N 11958C-)	
7.	109-004K	TIRE 9.5LX15ON6IN5BLT RIM BKSN	(1200 S/N 1791D+)(1500 S/N 11959C+)	

**Spring Tine Harrow (1994 <-> 1995)**

(Applies to 1200 (1994+), 1500 (1994+), 2000 (1994+) only)



12114

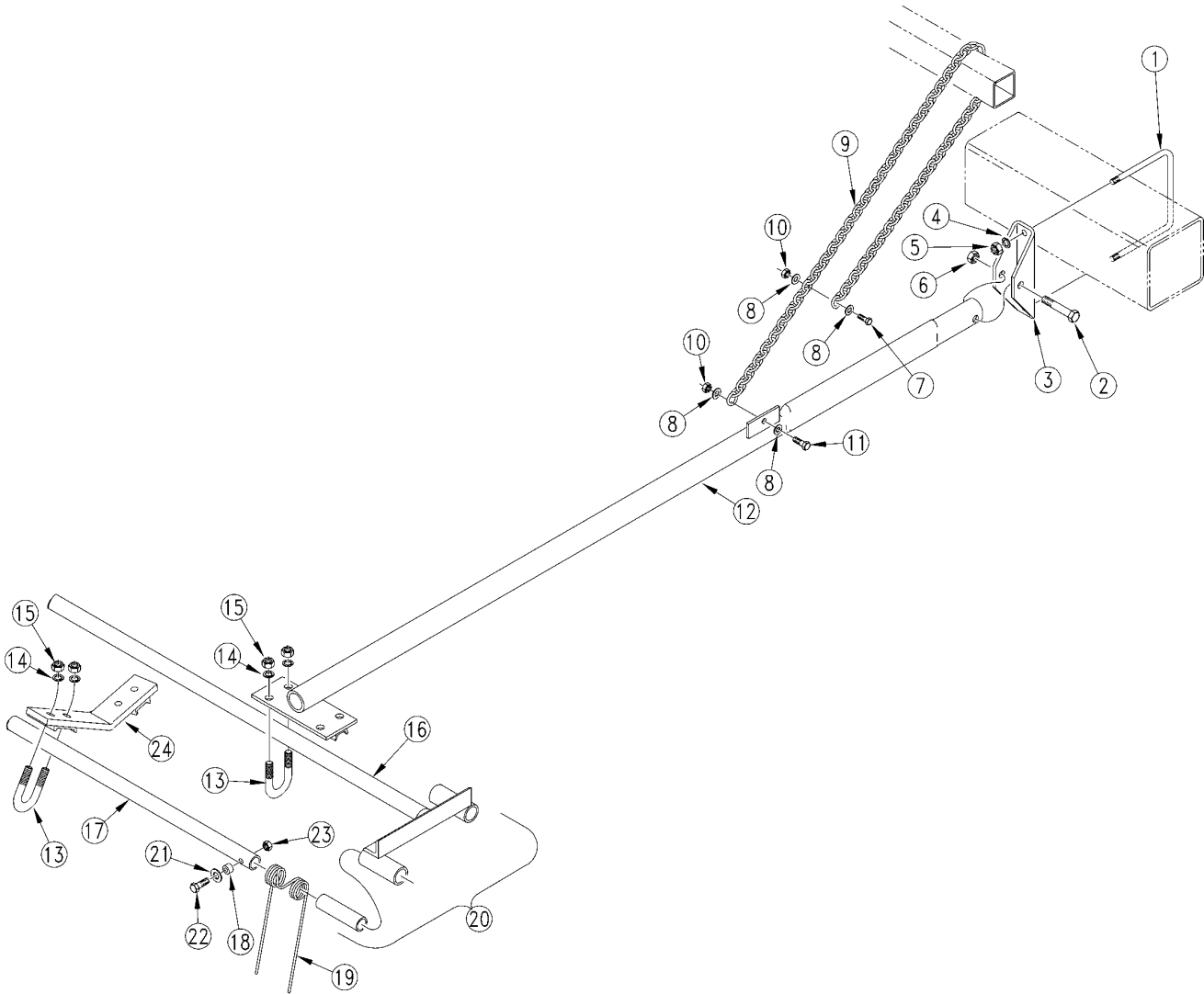
**Spring Tine Harrow (1994 <-> 1995)**

**(Applies to 1200 (1994+), 1500 (1994+), 2000 (1994+) only)**

<b>Ref</b>	<b>Part No.</b>	<b>Part Description</b>	<b>Comments</b>	<b>Revision</b>
	dwg12114	Image No.		
1.	113-271D	SHEAR BUSHING 5/8X.357		
2.	804-010C	WASHER FLAT 5/16 USS PLT		
3.	802-138C	HHCS 5/16-18X2 1/4 GR5		
4.	803-084C	NUT HEX NYLOCK 5/16-18 PLT		
5.	807-079C	SPRING HARROW DBL TORSION 11		
6.	116-102D	20' TINE TUBE		
6.	116-114D	15' TINE TUBE		
6.	116-116D	14' TINE TUBE		
6.	116-118D	12' TINE TUBE		
7.	116-064H	20' FRAME WELDMENT		
7.	116-065H	15' FRAME WELDMENT		
7.	116-067H	12' FRAME WELDMENT		
8.	116-062H	CENTER BRACE WELDMENT		
9.	806-046C	U-BOLT 1/2-13 X 1 3/8X2 3/4 LG		
10.	804-015C	WASHER LOCK SPRING 1/2 PLT		
11.	803-020C	NUT HEX 1/2-13 PLT		
12.	116-067K	12' SPRING HARROW ASSEMBLY		
12.	116-145K	15' SPRING TINE HARROW ASSY RH		
12.	116-146K	15' SPRING TINE HARROW ASSY LH		
12.	116-068K	14' SPRING HARROW ASSEMBLY		
12.	116-070K	20' SPRING HARROW ASSEMBLY		
13.	116-129H	HANGER ARM WELDMENT - 3PT		
14.	116-180D	3PT HANGER ARM CHAIN		
15.	802-022C	HHCS 3/8-16X1 1/2 GR5		
16.	804-012C	WASHER FLAT 3/8 SAE PLT		
17.	804-013C	WASHER LOCK SPRING 3/8 PLT		
18.	803-014C	NUT HEX 3/8-16 PLT		
19.	802-099C	HHCS 1/2-13X3 1/4 GR5		
20.	803-147C	NUT HEX NYLOCK 1/2-13		
21.	119-254H	HARROW SUPPORT WELDMENT		
21.	119-255H	FERT HARROW SUPPORT WELDMENT		
22.	806-005C	U-BOLT 1/2-13 X 2 X 3 GR 5		
23.	119-166D	WALKBOARD MOUNT PLATE, ADAPTOR		
24.	802-388C	HFS 3/8-16X1 GR5		
25.	803-209C	NUT FLANGE LOCK 3/8-16 PLT		
26.	116-130K	94 3PT HANGER ARM ASSY		
26.	116-140K	3PT FERT HNGR ARM ASSY-15'&20'		
27.	803-019C	NUT LOCK 1/2-13 PLT		

**Spring Tine Harrow (1996 And Later)**

(Applies to 1200 (1994+), 1500 (1994+), 2000 (1994+) only)



18017

**Spring Tine Harrow (1996 And Later)**

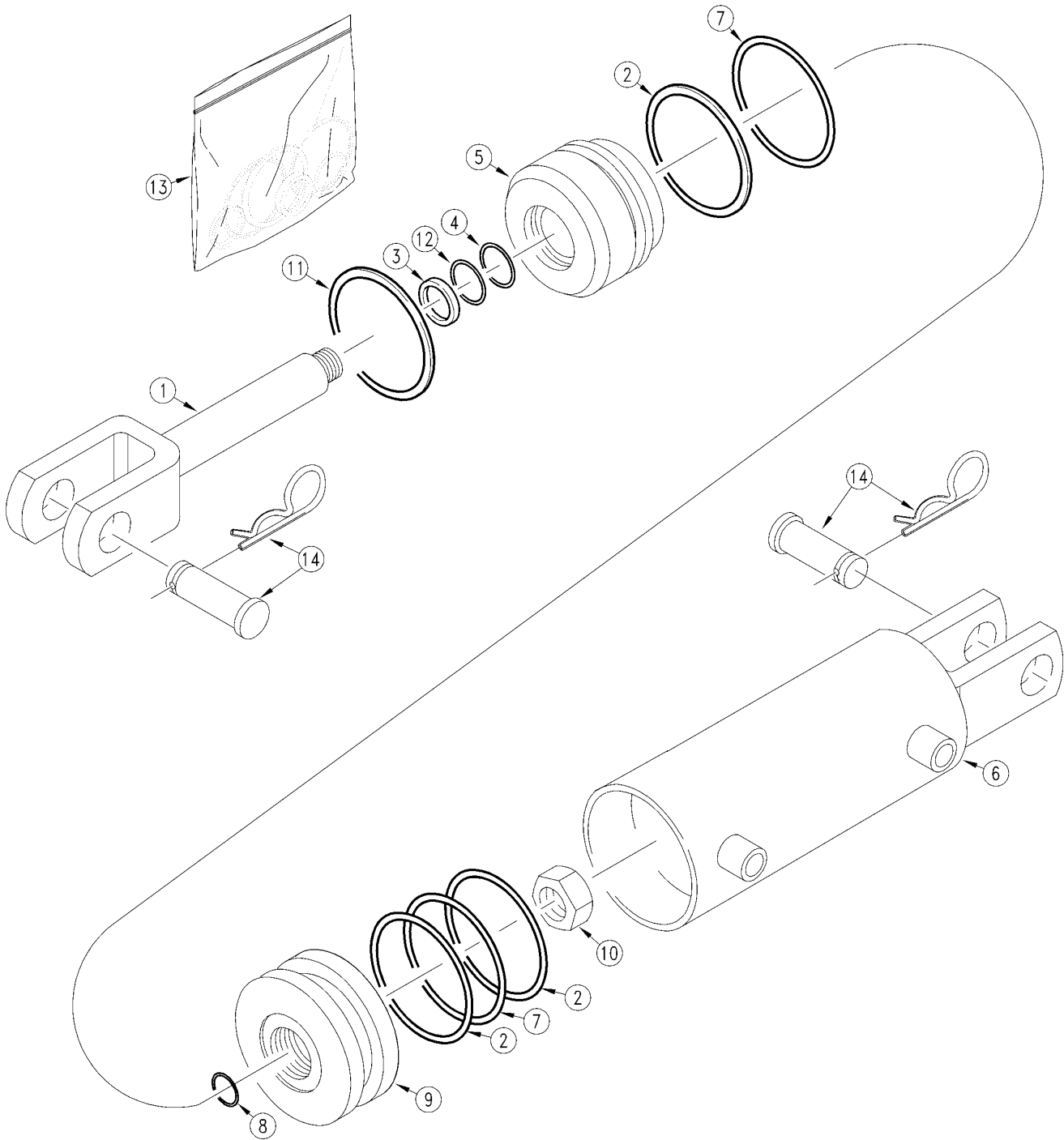
---

(Applies to 1200 (1994+), 1500 (1994+), 2000 (1994+) only)

Ref	Part No.	Part Description	Comments	Revision
	dwg18017	Image No.		
1.	806-051C	U-BOLT 3/8-16 X 6 1/32 X 7		
2.	802-226C	HHCS 1/2-13X2 3/4 GR5		
3.	116-122D	HARROW HINGE BRACKET		
4.	804-013C	WASHER LOCK SPRING 3/8 PLT		
5.	803-014C	NUT HEX 3/8-16 PLT		
6.	803-147C	NUT HEX NYLOCK 1/2-13		
7.	802-079C	HHCS 3/8-16X1 1/4 GR5		
8.	804-012C	WASHER FLAT 3/8 SAE PLT		
9.	116-191D	3-PT SUPPORT CHAIN LONG		
10.	803-013C	NUT LOCK 3/8-16 PLT		
11.	802-022C	HHCS 3/8-16X1 1/2 GR5		
12.	116-161H	HARROW ARM WELDMENT - 3PT		
13.	806-046C	U-BOLT 1/2-13 X 1 3/8X2 3/4 LG		
14.	804-015C	WASHER LOCK SPRING 1/2 PLT		
15.	803-020C	NUT HEX 1/2-13 PLT		
16.	116-064H	20' FRAME WELDMENT		
16.	116-065H	15' FRAME WELDMENT		
16.	116-067H	12' FRAME WELDMENT		
17.	116-102D	20' TINE TUBE		
17.	116-114D	15' TINE TUBE		
17.	116-116D	14' TINE TUBE		
17.	116-118D	12' TINE TUBE		
18.	113-271D	SHEAR BUSHING 5/8X.357		
19.	807-079C	SPRING HARROW DBL TORSION 11		
20.	116-067K	12' SPRING HARROW ASSEMBLY		
20.	116-145K	15' SPRING TINE HARROW ASSY RH		
20.	116-146K	15' SPRING TINE HARROW ASSY LH		
20.	116-068K	14' SPRING HARROW ASSEMBLY		
20.	116-070K	20' SPRING HARROW ASSEMBLY		
21.	804-010C	WASHER FLAT 5/16 USS PLT		
22.	802-138C	HHCS 5/16-18X2 1/4 GR5		
23.	803-084C	NUT HEX NYLOCK 5/16-18 PLT		
24.	116-062H	CENTER BRACE WELDMENT		

**Energy Hydraulic Cylinder (810-005C)**

(Applies to 1200 (1994+), 1500 (1994+), 2000 (1994+) only)



14078

## ***Energy Hydraulic Cylinder (810-005C)***

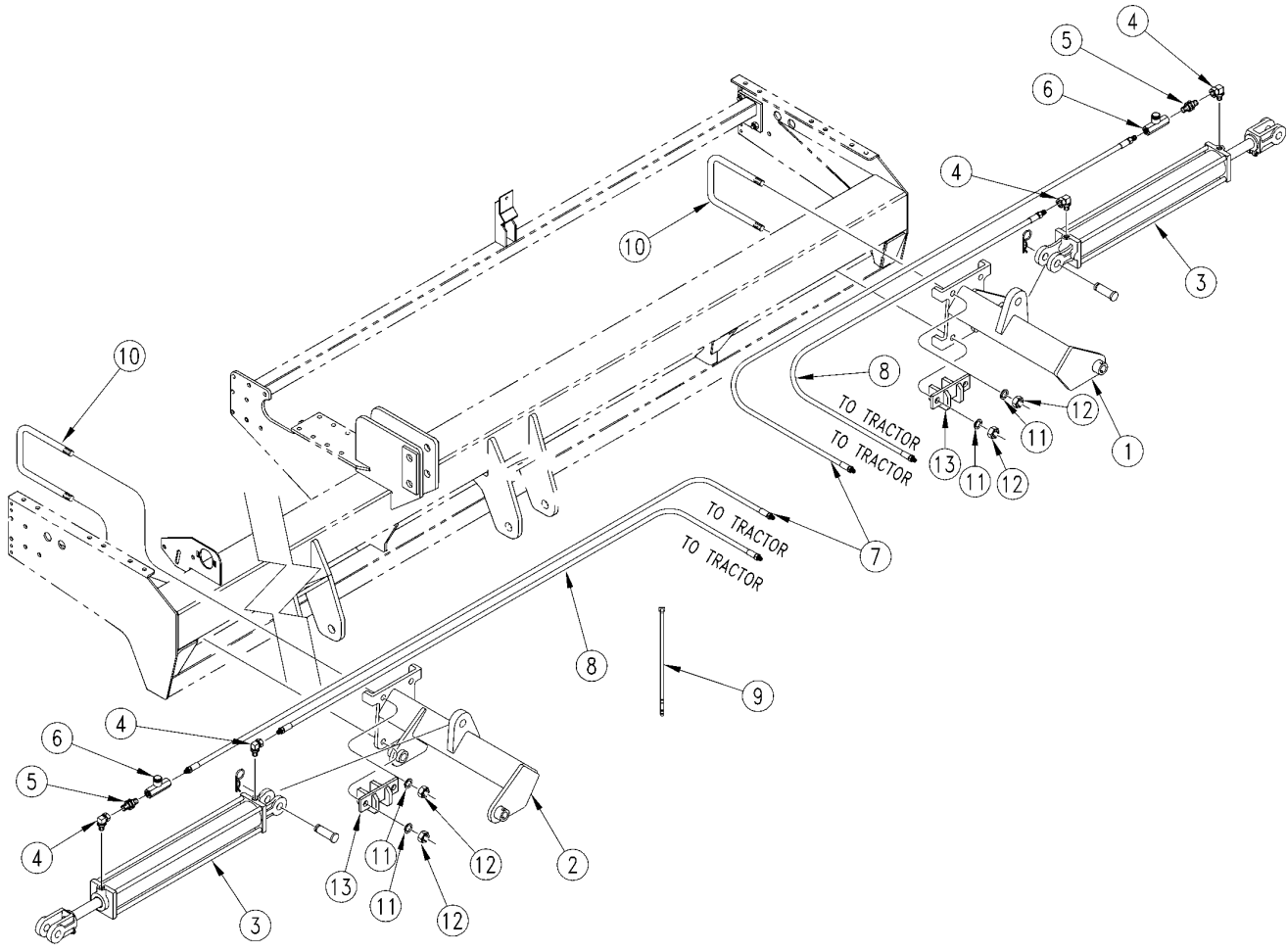
---

**(Applies to 1200 (1994+), 1500 (1994+), 2000 (1994+) only)**

<b>Ref</b>	<b>Part No.</b>	<b>Part Description</b>	<b>Comments</b>	<b>Revision</b>
	dwg14078	Image No.		
1.	A-2526	EGY PISTON ROD		
2.		BACKUP RING 2" OD	Only found in seal kit 13.	
3.		WIPER ROD	Only found in seal kit 13.	
4.		O-RING 1 1/8" ID X 1 3/8"OD	Only found in seal kit 13.	
5.	A-1906	EGY PISTON ROD GUIDE		
6.	B-988	EGY CYLINDER BODY		
7.		O-RING 1 5/8" ID X 2"OD	Only found in seal kit 13.	
8.		O-RING 3/4" ID X 7/8" OD	Only found in seal kit 13.	
9.	A-1845	EGY PISTON		
10.	82464	EGY 7/8-14UNF REG HEX LOCK NUT		
11.	83198	EGY RETAINER RING INTERNAL		
12.		BACKUP RING 1 3/8" OD	Only found in seal kit 13.	
13.	810-012C	CYL SEAL KIT 2 X 8 (ENERGY)		
14.	805-004C	PIN CLEVIS 1 X 2 3/4 USABLE LG		

# Flat Fold Dual Marker Hydraulics

(Applies to 1200 (1994+), 1500 (1994+), 2000 (1994+) only)



12235



## ***Flat Fold Dual Marker Hydraulics***

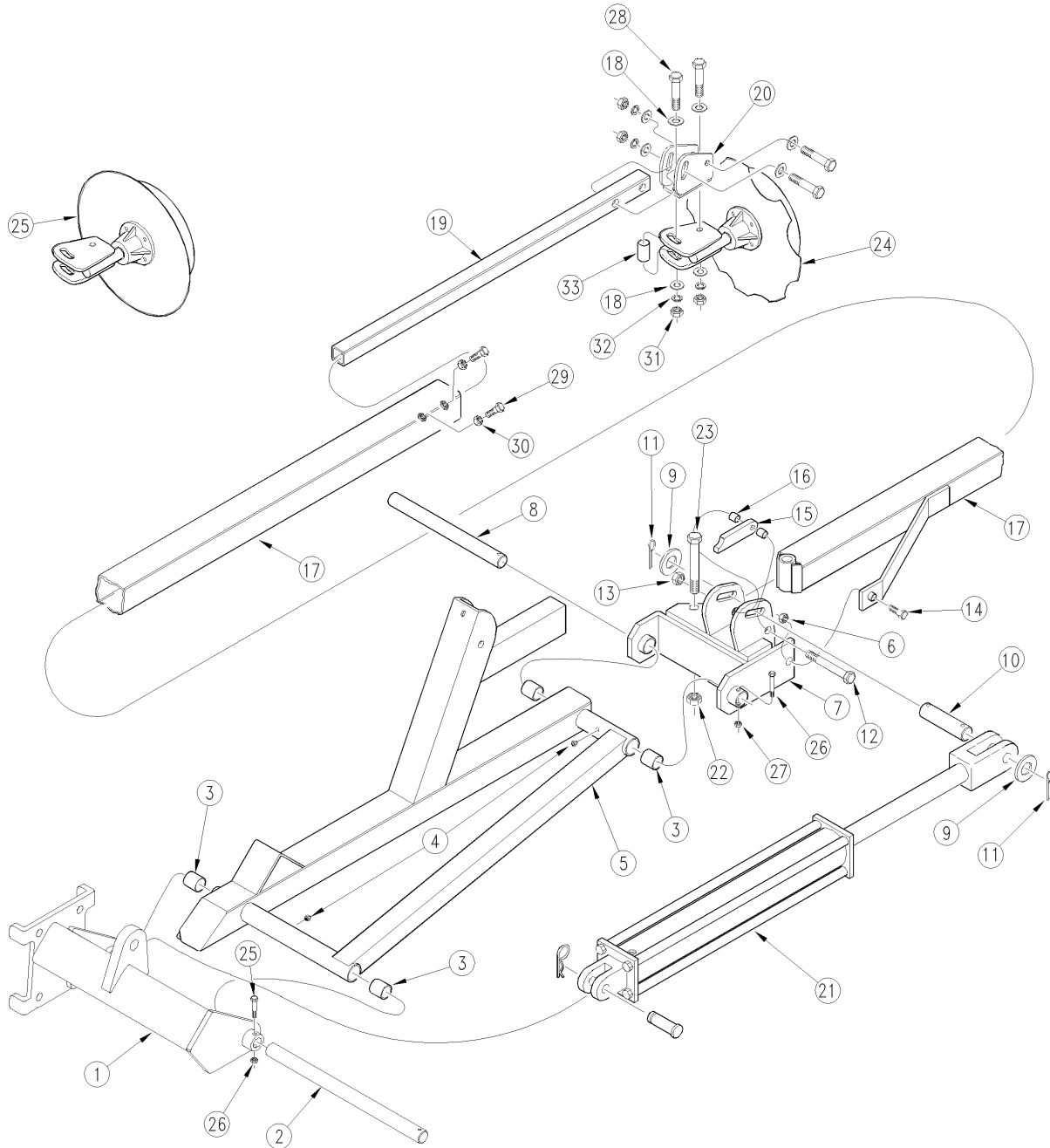
---

**(Applies to 1200 (1994+), 1500 (1994+), 2000 (1994+) only)**

<b>Ref</b>	<b>Part No.</b>	<b>Part Description</b>	<b>Comments</b>	<b>Revision</b>
	dwg12235	Image No.		
1.	113-458H	L.H. MARKER MOUNT		
2.	113-459H	R.H. MARKER MOUNT		
3.	810-205C	CYL 2X20X1.12 ROD (TIE) 1 PIN	Refer to page 9-11 for breakdown	
4.	811-281C	EL 3/8FNPT 9/16MORB		
5.	811-044C	AD 3/8MNPT		
6.	810-058C	VALVE 3/8 NEEDLE		
7.	811-300C	HH1/4R1 176 3/8MNPT 1/2MNPT		
7.	811-297C	SP HH1/4R1 212 3/8MNPT-W/AD		
8.	811-017C	HH1/4R1 156 3/8MNPT 1/2MNPT		
8.	811-015C	HH1/4 R1 192 3/8MNPT 1/2MNPT		
9.	800-035C	CABLE TIE 28 LONG		
10.	806-093C	U-BOLT 3/4-10 6 1/32 X 7 3/4		
11.	804-023C	WASHER LOCK SPRING 3/4 PLT		
12.	803-027C	NUT HEX 3/4-10 PLT		
13.	113-507H	MARKER MOUNT SUPPORT WMNT		

# Flat Fold Marker Assembly

(Applies to 1200 (1994+), 1500 (1994+), 2000 (1994+) only)



12734

## ***Flat Fold Marker Assembly***

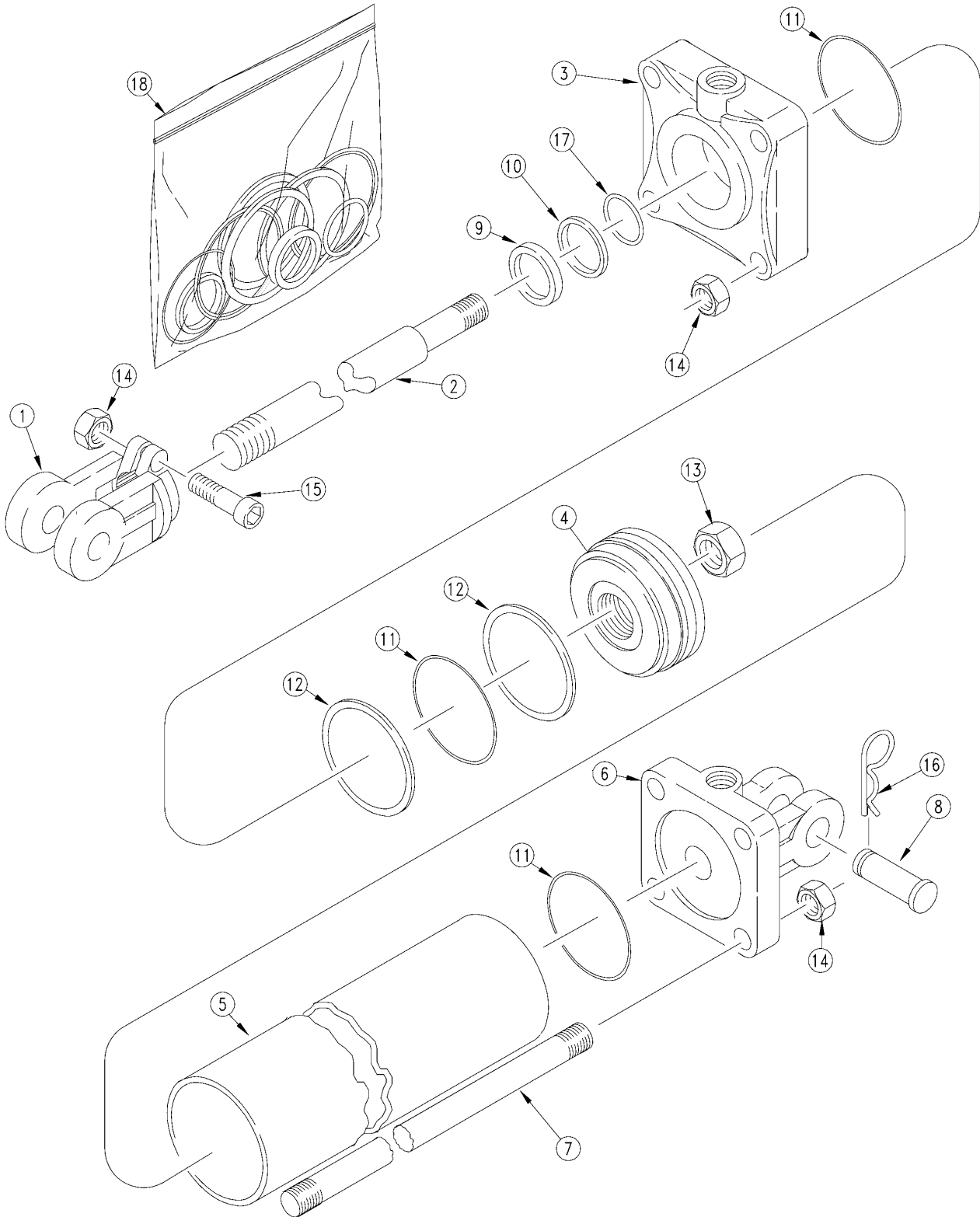
**(Applies to 1200 (1994+), 1500 (1994+), 2000 (1994+) only)**

<b>Ref</b>	<b>Part No.</b>	<b>Part Description</b>	<b>Comments</b>	<b>Revision</b>
	dwg 12734	Image No.		
1.	113-458H	L.H. MARKER MOUNT		
	113-459H	R.H. MARKER MOUNT		
2.	113-312D	FIRST PIVOT SHAFT		
3.	890-005C	BUSHING CYL 1 1/4 X 1 X 1		
4.	800-001C	GREASE ZERK STRAIGHT 1/4-28		
5.	113-188H	RH FIRST SECTION		
	113-180H	LH FIRST SECTION		
6.	803-013C	NUT LOCK 3/8-16 PLT		
7.	113-467H	LIFT LUG CHANNEL R.H.		
	113-468H	LIFT LUG CHANNEL L.H.		
8.	113-313D	SECOND PIVOT SHAFT		
9.	804-029C	WASHER FLAT 1 SAE		
10.	113-248D	MARKER CYLINDER PIN BODY		
11.	805-058C	PIN COTTER 3/16 X 2		
12.	802-249C	HHCS 1/2-13X4 1/2 GR5 SPTH		
13.	803-019C	NUT LOCK 1/2-13 PLT		
14.	802-253C	HHCS 3/8-16X1 3/4 GR2		
15.	113-324D	CYLINDER STOP		
16.	113-325D	STOP BUSHING		
17.	113-191H	LH 20' MARKER BREAKAWAY TUBE	15' Drills	
17.	113-193H	RH 20' MARKER BREAKAWAY TUBE	15' Drills	
17.	116-063H	HANGER WELDMENT	20' Drills after 4-1-97	
18.	804-017C	WASHER FLAT 1/2 USS PLT		
19.	113-354D	13' MARKER TUBE 46 1/2 LONG		
20.	113-503H	MARKER DISK ADJUST MOUNT		
21.	810-205C	CYL 2X20X1.12 ROD (TIE) 1 PIN		
22.	803-024C	NUT LOCK 5/8-11 PLT		
23.	802-254C	HHCS 5/8-11X5 1/2 GR5		
24.	113-563S	MARKER DISC & HUB ASSEMBLY	Refer to "Marker Disc Assembly (113-563S)" for breakdown.	
25.	113-364S	REPLACED BY 113-563S		
26.	802-115C	HHCS 5/16-18X2 GR5		
27.	803-011C	NUT LOCK 5/16-18 PLT		
28.	802-039C	HHCS 1/2-13X3 GR5		
29.	801-054C	SCREW SET SQ HD. 1/2-13X1 GR5		
30.	803-036C	NUT HEX JAM 1/2-13 PLT		
31.	803-020C	NUT HEX 1/2-13 PLT		
32.	804-015C	WASHER LOCK SPRING 1/2 PLT		
33.	113-491D	ADJUST MOUNT SPACER TUBE		

[Table of Contents](#)   [Part Number Index](#)

**Flat Fold Marker Hydraulic Cylinder (810-205C)**

(Applies to 1200 (1994+), 1500 (1994+), 2000 (1994+) only)



12224

## ***Flat Fold Marker Hydraulic Cylinder (810-205C)***

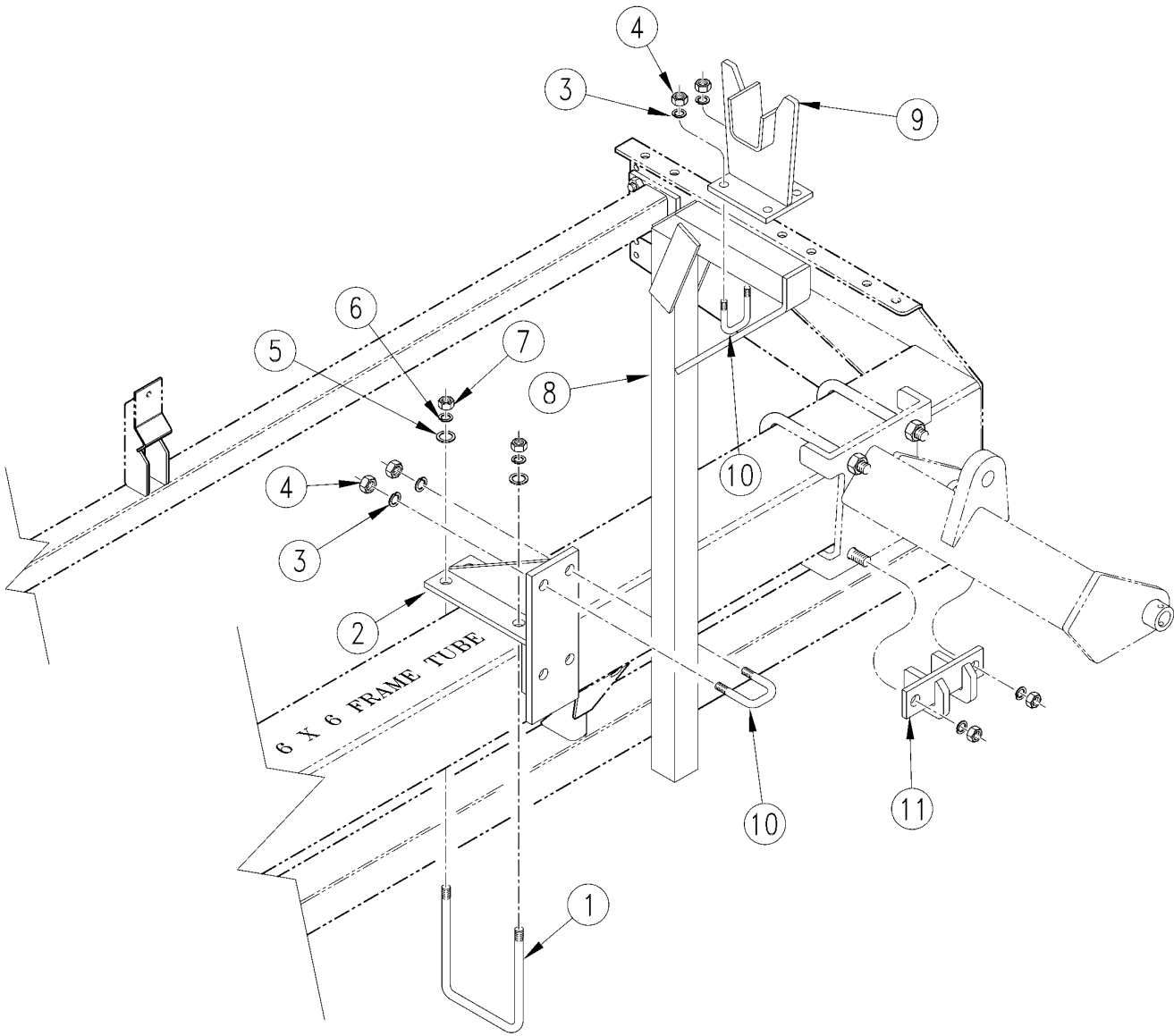
---

**(Applies to 1200 (1994+), 1500 (1994+), 2000 (1994+) only)**

<b>Ref</b>	<b>Part No.</b>	<b>Part Description</b>	<b>Comments</b>	<b>Revision</b>
	dwg12224	Image No.		
1.	1M6006	MW ROD CLEVIS		
2.	2M2326	MW ROD		
3.	3R0122	MW HEAD		
4.	4M2102	RPBY 4M2108		
5.	5M2128	BARREL		
6.	6R0070	BASE MIDWAY		
7.	7M2328	MW TIE ROD		
8.	2A0206	MW PIN SHORT		
9.		WIPER SEAL	Only available in seal kit item 18	
10.		BACK-UP	Only available in seal kit item 18.	
11.		O-RING	Only available in seal kit item 18.	
12.		BACK-UP	Only available in seal kit item 18	
13.	2A0022	RPBY 803-114C		
14.	2A0012	RPBY 803-234C		
15.	2A0006	RPBY 802-023C		
16.	2A0132	MW PIN CLIP		
17.		O-RING	Only available in seal kit item 18.	
18.	810-310C	SEAL KIT MW 5A2104		

**Flat Fold Marker Saddle For 2000 Drills**

(Applies to 2000 (1994+) only)



## ***Flat Fold Marker Saddle For 2000 Drills***

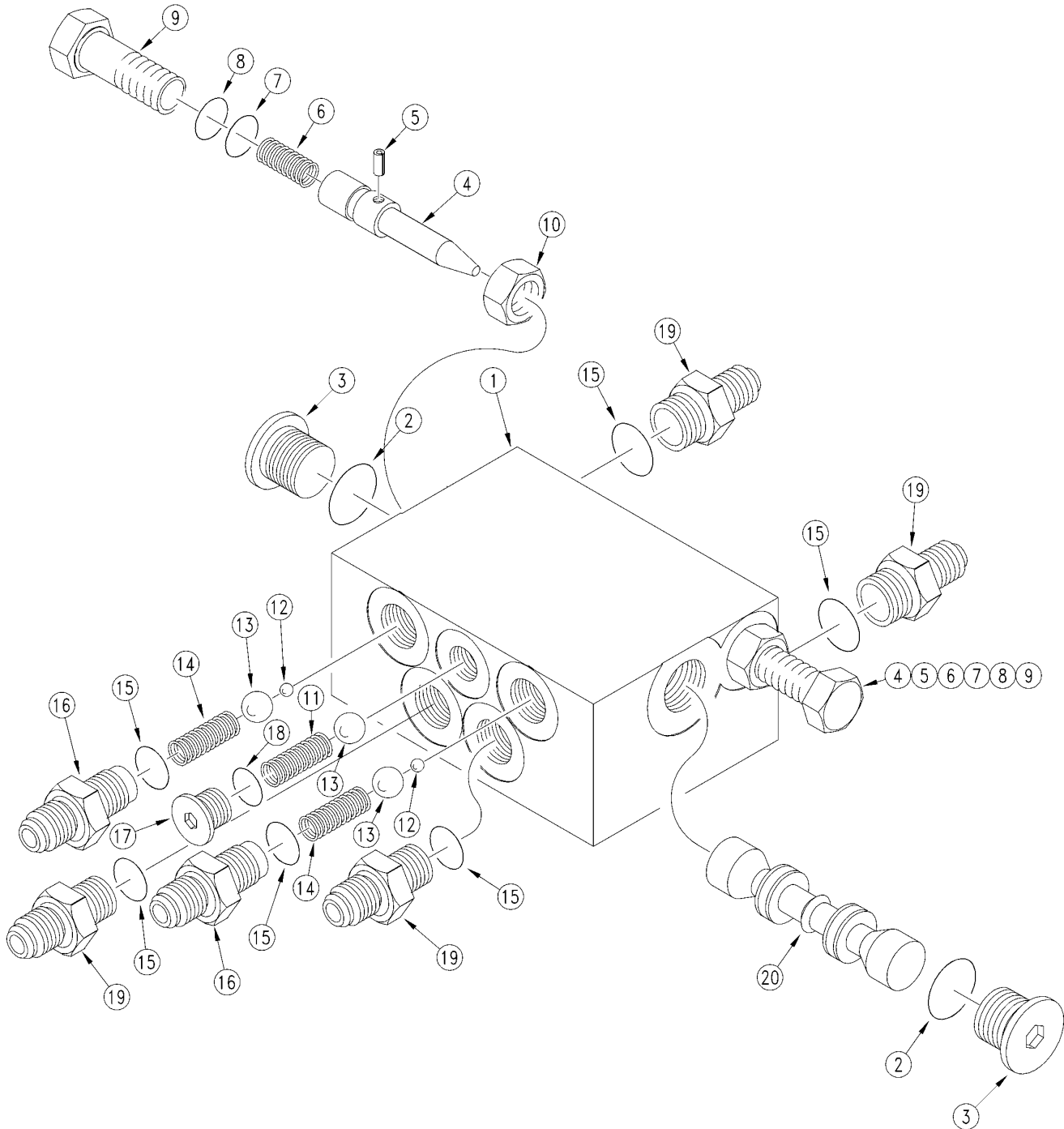
---

**(Applies to 2000 (1994+) only)**

<b>Ref</b>	<b>Part No.</b>	<b>Part Description</b>	<b>Comments</b>	<b>Revision</b>
	dwg13152	Image No.		
1.	806-051C	U-BOLT 3/8-16 X 6 1/32 X 7		
2.	113-223H	MARKER TRANS ARM MOUNT WDMT		
3.	804-015C	WASHER LOCK SPRING 1/2 PLT		
4.	803-020C	NUT HEX 1/2-13 PLT		
5.	804-012C	WASHER FLAT 3/8 SAE PLT		
6.	804-013C	WASHER LOCK SPRING 3/8 PLT		
7.	803-014C	NUT HEX 3/8-16 PLT		
8.	113-506H	MARKER SADDLE MOUNT ARM WMNT		
9.	113-203H	SUPPORT ARM SADDLE - 20'		
10.	806-005C	U-BOLT 1/2-13 X 2 X 3 GR 5		
11.	113-507H	MARKER MOUNT SUPPORT WMNT		

### **Flat Fold Marker Sequence Valve (810-197C)**

(Applies to 1200 (1994+), 1500 (1994+), 2000 (1994+) only)



12024



## ***Flat Fold Marker Sequence Valve (810-197C)***

---

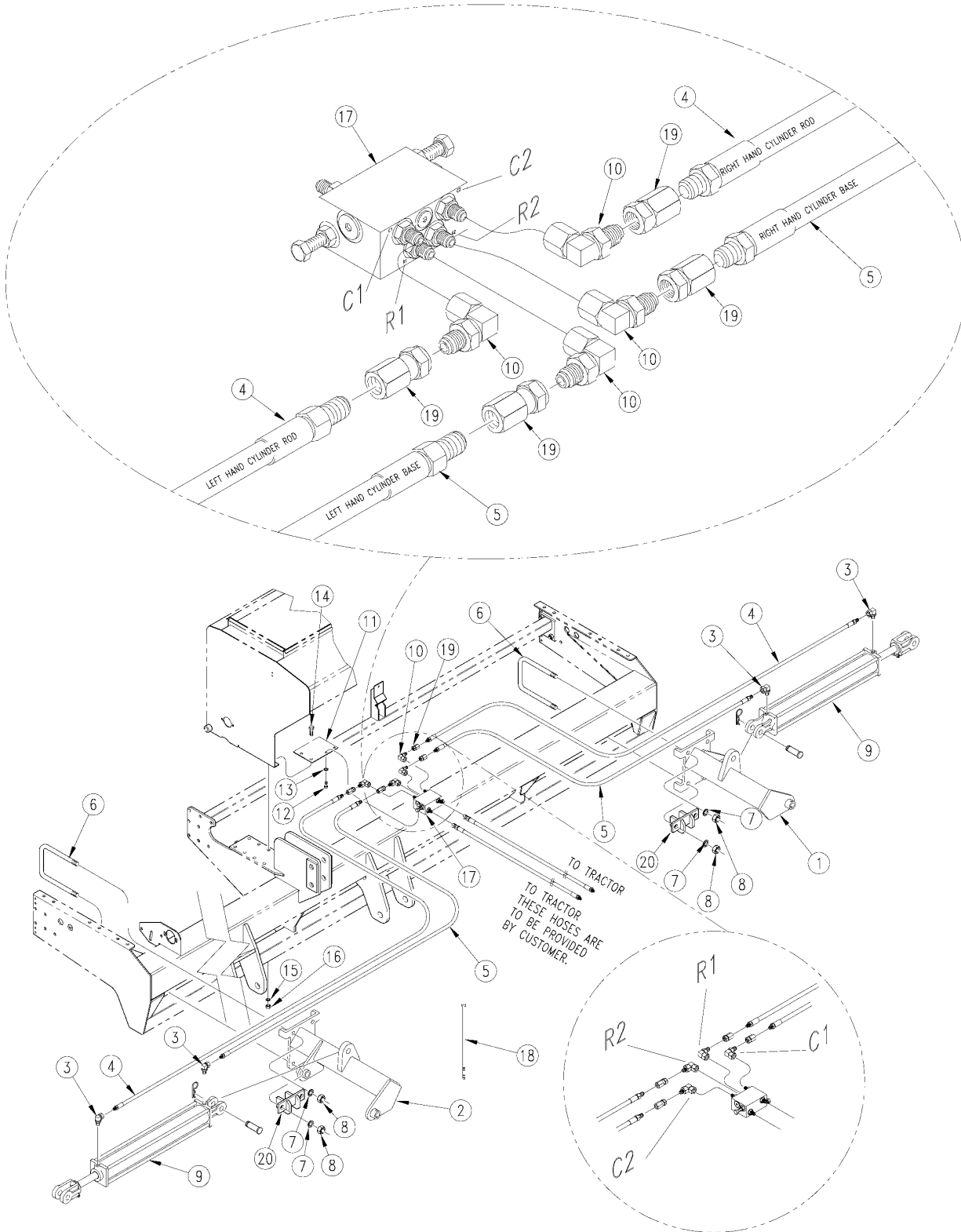
**(Applies to 1200 (1994+), 1500 (1994+), 2000 (1994+) only)**

<b>Ref</b>	<b>Part No.</b>	<b>Part Description</b>	<b>Comments</b>	<b>Revision</b>
	dwg12024	Image No.		
1.	3089	SHOEMAKER BODY MKR SEQ VALVE		
2.	1088-908	SHOEMAKER O-RING		
3.	1132-08	SHOEMAKER PLUG, HEX SOCKET		
4.	1179	SHOEMAKER NEEDLE, FLOW CONTROL		
5.	1217	SHOEMAKER .125 SPRING PIN		
6.	1211	SHOEMAKER SPRING COMPRESSION		
7.	1088-011	RPBY 1100-011		
8.	1089-011	RPBY SEAL KIT		
9.	1180	SHOEMAKER SCREW, FLOW CON.ADJ.		
10.	1218	SHOEMAKER HEX, JAM NUT Z PLTD.		
11.	1099	RPBY SEAL KIT		
12.	1087-250	RPBY SEAL KIT		
13.	1087-437	RPBY SEAL KIT		
14.	1042	RPBY SEAL KIT		
15.	1088-906	SHOEMAKER O-RING		
16.	1182	SHOEMAKER FITTING PORT ADPT.		
17.	1132-05	SHOEMAKER HEX, SKT O-RING PLUG		
18.	1088-905	SHOEMAKER O-RING		
19.	1092-6	RPBY 1092-6-6		
20.	2153	SHOEMAKER SPOOL, MKR SEQ. .055		
	810-456C	SEAL KIT SHOEMAKER #1223		

# Table of Contents Part Number Index

## Flat Fold Marker Sequence Valve Hydraulics

(Applies to 1200 (1994+), 1500 (1994+), 2000 (1994+) only)



12232

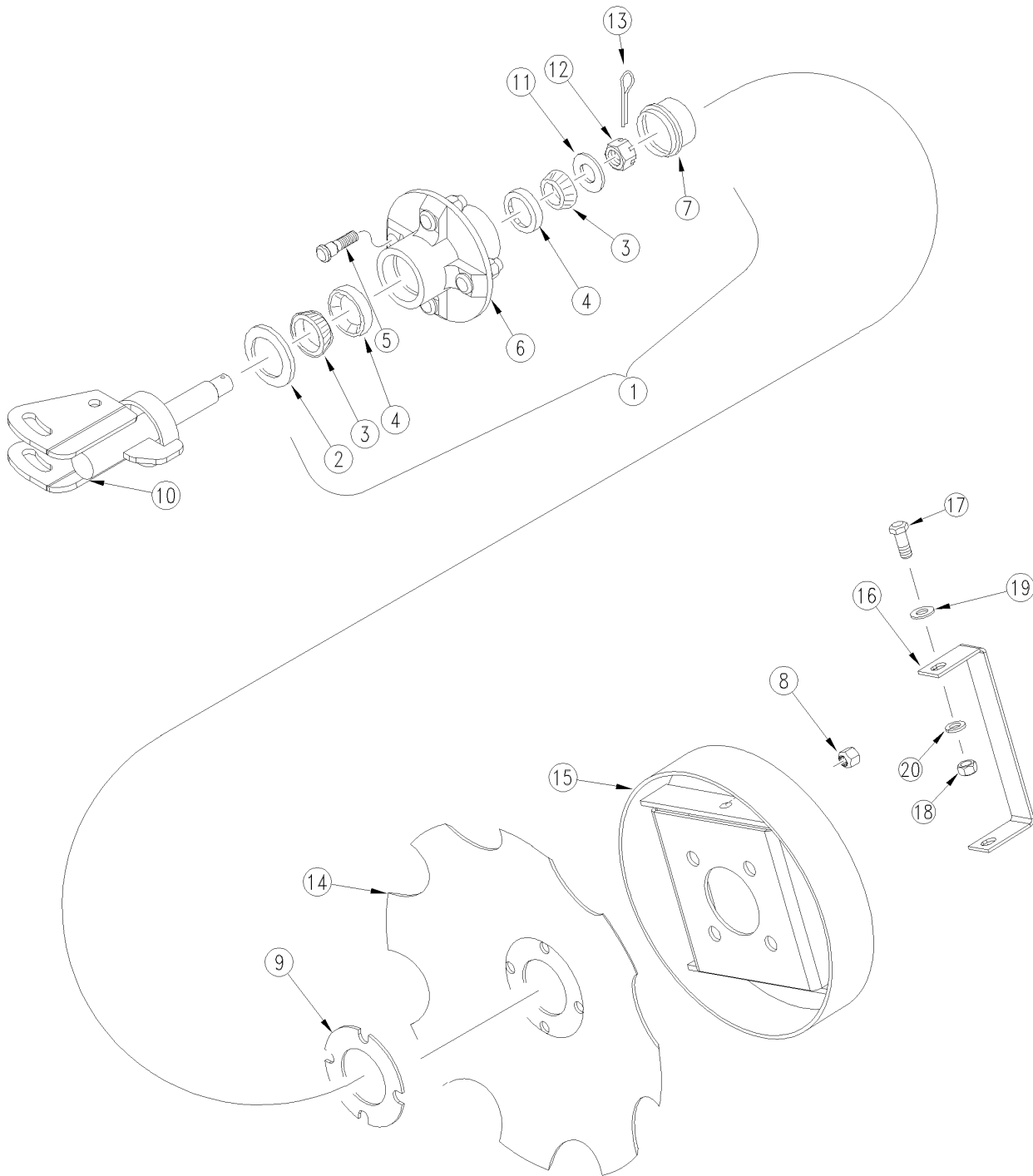
## ***Flat Fold Marker Sequence Valve Hydraulics***

**(Applies to 1200 (1994+), 1500 (1994+), 2000 (1994+) only)**

<b>Ref</b>	<b>Part No.</b>	<b>Part Description</b>	<b>Comments</b>	<b>Revision</b>
	dwg12232	Image No.		
1.	113-458H	L.H. MARKER MOUNT		
2.	113-459H	R.H. MARKER MOUNT		
3.	811-281C	EL 3/8FNPT 9/16MORB		
4.	811-300C	HH1/4R1 176 3/8MNPT 1/2MNPT		
4.	811-297C	SP HH1/4R1 212 3/8MNPT-W/AD		
5.	811-017C	HH1/4R1 156 3/8MNPT 1/2MNPT		
5.	811-015C	HH1/4 R1 192 3/8MNPT 1/2MNPT		
6.	806-093C	U-BOLT 3/4-10 6 1/32 X 7 3/4		
7.	804-023C	WASHER LOCK SPRING 3/4 PLT		
8.	803-027C	NUT HEX 3/4-10 PLT		
9.	810-205C	CYL 2X20X1.12 ROD (TIE) 1 PIN	Refer to page 9-11 for breakdown	
10.	811-169C	EL 9/16MJIC 9/16FJIC		
11.	113-488D	SEQUENCE VALVE MOUNT BRACKET		
12.	802-014C	HHCS 3/8-16X3/4 GR5		
13.	804-013C	WASHER LOCK SPRING 3/8 PLT		
14.	802-034C	HHCS 1/2-13X1 1/4 GR5		
15.	804-015C	WASHER LOCK SPRING 1/2 PLT		
16.	803-020C	NUT HEX 1/2-13 PLT		
17.	810-197C	VALVE,SEQUENCE SHOEMAKER	Refer to page 9-9 for breakdown	
18.	800-035C	CABLE TIE 28 LONG		
19.	811-440C	AD 1/2FNPT X 9/16FJICS		
20.	113-507H	MARKER MOUNT SUPPORT WMNT		

**Marker Disc Assembly (113-563S)**

(Applies to 1200 (1994+), 1500 (1994+), 2000 (1994+) only)



15481

**Marker Disc Assembly (113-563S)**

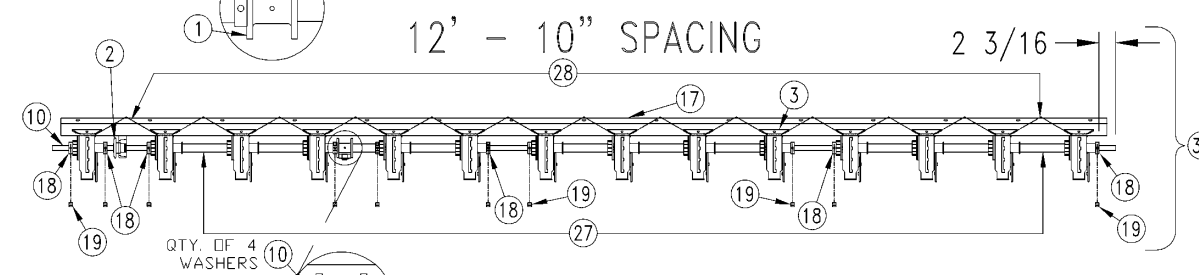
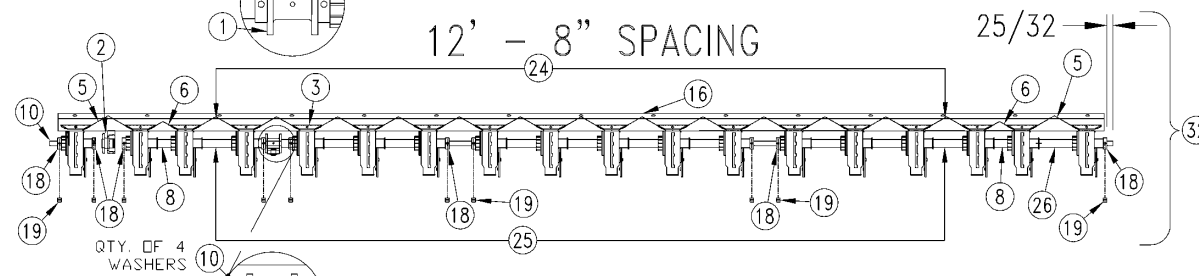
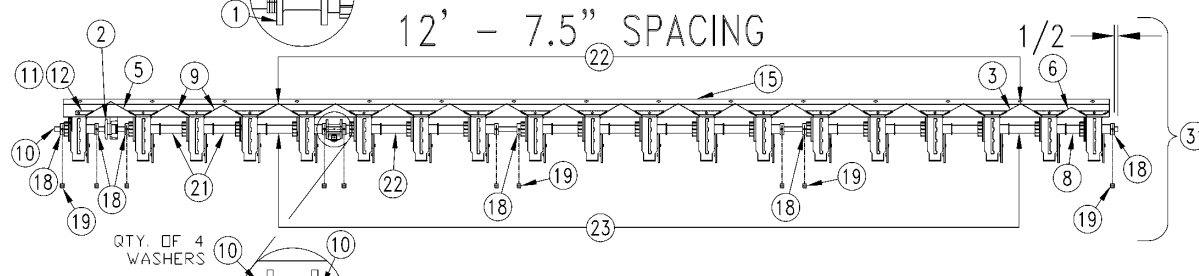
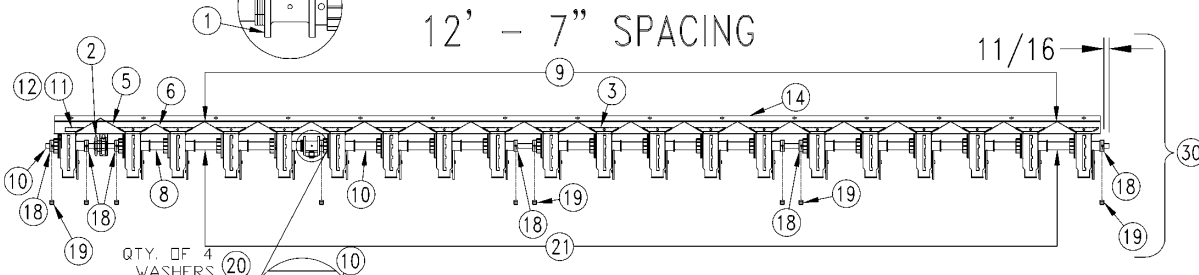
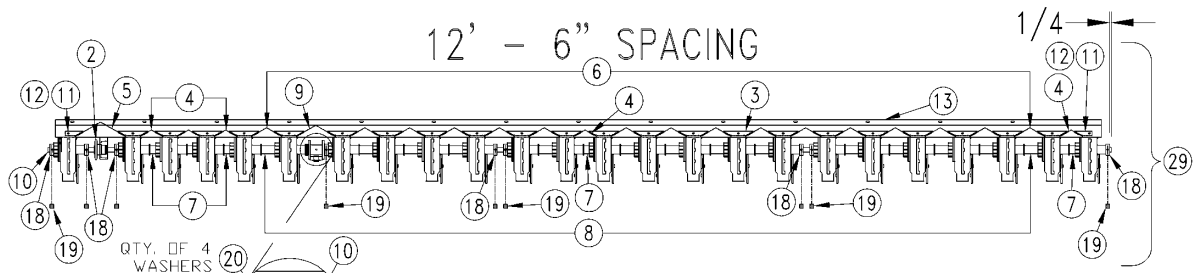
---

(Applies to 1200 (1994+), 1500 (1994+), 2000 (1994+) only)

Ref	Part No.	Part Description	Comments	Revision
	dwg 15481	Image No.		
1.	815-001C	TINE GW HUB	Includes 2 - 8.	
2.	816-014C	TINE GAUGE WHEEL HUB SEAL		
3.	822-030C	BEARING CONE 1		
4.	822-080C	BEARING CUP L44610		
5.	BO-47	NEILSON STUD 1/2-20UNFX1 13/16		
6.	1-100-02-00	RELIABLE HUB 4 BOLT		
7.	890-614C	GREASE CAP #1505		
8.	803-159C	NUT LUG 1/2-20X60DEG PLT(.75AF		
9.	116-353D	BLADE SPACER		
10.	113-562H	1 SPINDLE MARKER WELDMENT		
11.	804-025C	WASHER FLAT 3/4 SAE PLT		
12.	803-053C	NUT HEX SLOTTED 3/4-16		
13.	805-019C	PIN COTTER 5/32 X 1 PLT		
14.	820-094C	16 4-BOLT NOTCHED MARKER DISK		
15.	113-369H	DEPTH BAND 10 4-BOLT 4B.C.		
16.	116-354D	MARKER DISC SAFETY STRAP		
17.	802-017C	HHCS 3/8-16X1 GR5		
18.	803-014C	NUT HEX 3/8-16 PLT		
19.	804-012C	WASHER FLAT 3/8 SAE PLT		
20.	804-013C	WASHER LOCK SPRING 3/8 PLT		

# 1200 Drill Feeder Cup Spacing

(Applies to 1200 (1994+) only)



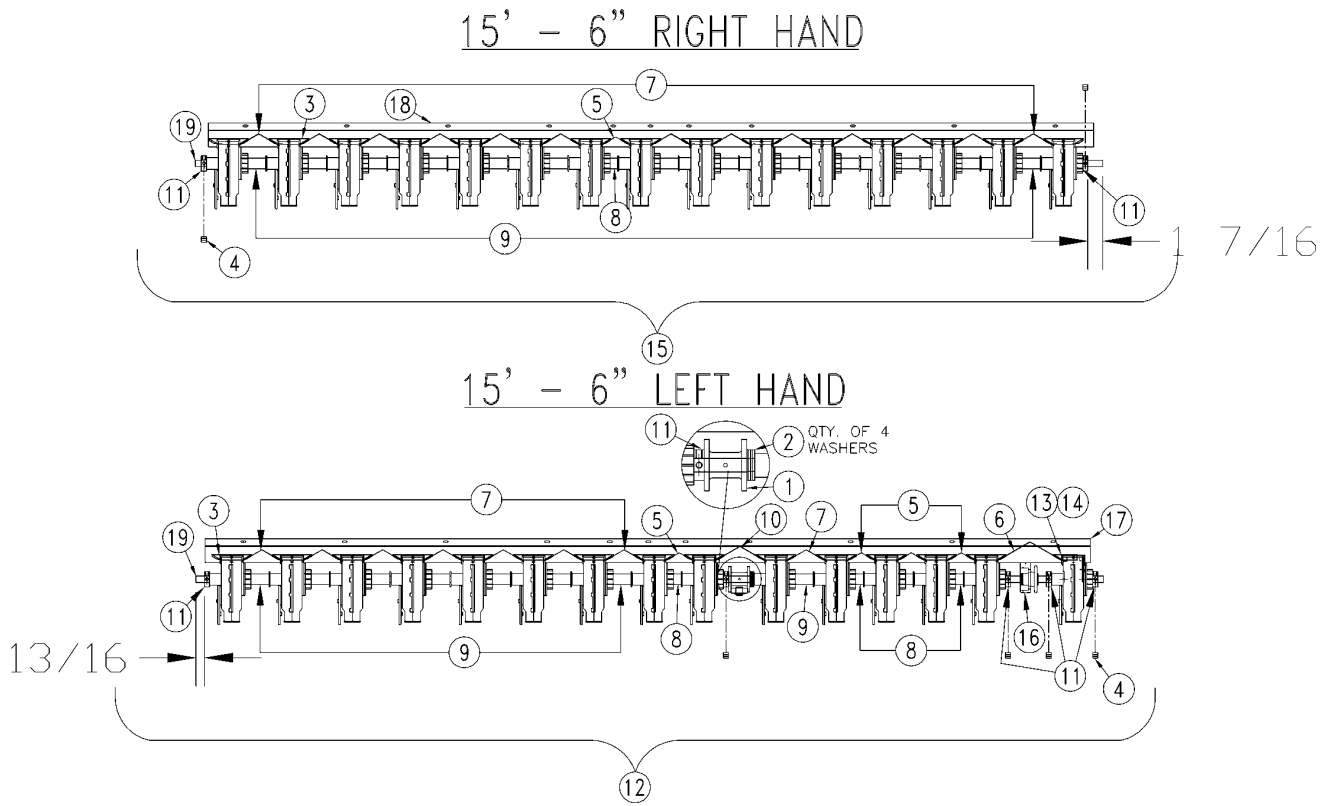
## 1200 Drill Feeder Cup Spacing

(Applies to 1200 (1994+) only)

Ref	Part No.	Part Description	Comments	Revision
	dwg12676	Image No.		
1.	109-091D	MACHINED ADJUSTMENT SPOOL		
2.	118-226D	BOX GUSSET		
3.	118-341D	2SNT SEED BOX DIVIDER CLIP		
4.	118-431D	3 BOX DIVIDER FOR 4 7/8 ROW		
5.	118-432D	6 5/8 BOX DVDR FOR 8 1/2 ROW		
6.	118-433D	BOX DVDR 4.00 X 60DEG		
7.	118-434D	SPACER TUBE X 1.454		
8.	118-436D	SPACER TUBE X 2.470		
9.	118-437D	BOX DVDR 5.13 X 60DEG		
10.	118-492D	SQ. BAR 5/8 CR X 139 21/32		
11.	118-453D	SEED BOX DIVIDER HALF CLIP LH		
12.	118-454D	SEED BOX DIVIDER HALF CLIP RH		
13.	118-426D	12'3PT FEEDERCUP TRAY 6		
14.	118-430D	12'3PT FEEDERCUP TRAY 7		
15.	118-427D	12'3PT FEEDERCUP TRAY 7 1/2		
16.	118-429D	12'3PT FEEDERCUP TRAY 8		
17.	118-428D	12'3PT FEEDERCUP TRAY 10		
18.	890-350C	5/8 SHAFT LOCKING COLLAR		2nd rev.
18.	182-022D	RPBY 890-350C		Use existing stock; 1st rev.
19.	801-035C	SCREW SET 5/16-18 SKT KP X 3/8		
20.	804-031C	WASHER RETAINING		
21.	118-438D	SPACER TUBE X 3.579		
22.	118-340D	5 5/8 BOX DVDR FOR 7 1/2 ROW		
23.	118-346D	SPACER TUBE X 4.078		
24.	118-372D	BOX DVDR 6.13 X 60DEG		
25.	152-040D	4.579 FEEDER CUP SPACER		
26.	118-440D	SPACER TUBE X 5.079		
27.	118-353D	185C058TUBE X 6.578		
28.	118-356D	BOX DIVIDER FOR 10 ROW		
29.	118-434K	12'3PT FEEDRCUP TRAY 6 ASSY		
30.	118-438K	12'3PT FEEDRCUP TRAY 7 ASSY		
31.	118-435K	12'3PT FEEDRCUP TRAY 7.5 ASSY		
32.	118-437K	12'3PT FEEDRCUP TRAY 8 ASSY		
33.	118-436K	12'3PT FEEDRCUP TRAY 10 ASSY		

# 1500 Drill Feeder Cup Spacing (Part 1)

(Applies to 1500 (1994+) only)



29460



## 1500 Drill Feeder Cup Spacing (Part 1)

---

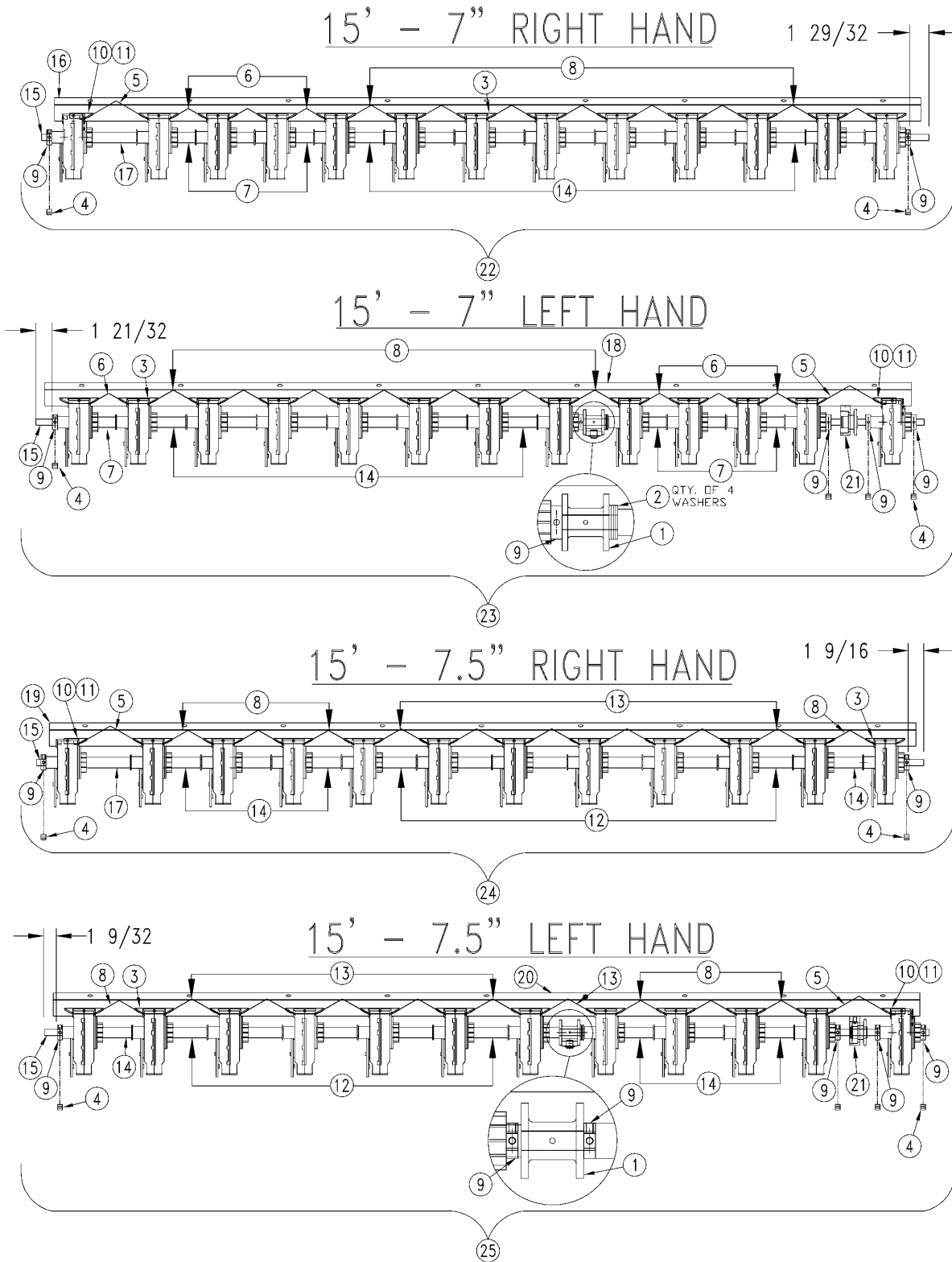
(Applies to 1500 (1994+) only)

Ref	Part No.	Part Description	Comments	Revision
	dwg29460	Image No.		
1.	109-091D	MACHINED ADJUSTMENT SPOOL		
2.	804-031C	WASHER RETAINING		
3.	118-341D	2SNT SEED BOX DIVIDER CLIP		
4.	801-035C	SCREW SET 5/16-18 SKT KP X 3/8		
5.	118-431D	3 BOX DIVIDER FOR 4 7/8 ROW		
6.	118-432D	6 5/8 BOX DVDER FOR 8 1/2 ROW		
7.	118-433D	BOX DVDR 4.00 X 60DEG		
8.	118-434D	SPACER TUBE X 1.454		
9.	118-436D	SPACER TUBE X 2.470		
10.	118-437D	BOX DVDR 5.13 X 60DEG		
11.	890-350C	5/8 SHAFT LOCKING COLLAR		
12.	118-445K	15'3PT FEEDRCUP TRAY 6LH ASSY		
13.	118-453D	SEED BOX DIVIDER HALF CLIP LH		
14.	118-454D	SEED BOX DIVIDER HALF CLIP RH		
15.	118-429K	15'3PT FEEDRCUP TRAY 6RH ASSY		
16.	118-226S	FEEDER CUP BRG ASSEMBLY		
17.	118-455D	15'3PT FEEDERCUP TRAY 6 LH		
18.	118-421D	15'3PT FEEDERCUP TRAY 6 RH		
19.	118-451D	SQ BAR 5/8 CR X 88 17/32		

[Table of Contents](#)   [Part Number Index](#)

**1500 Drill Feeder Cup Spacing (Part 2)**

(Applies to 1500 (1994+) only)



12078

## 1500 Drill Feeder Cup Spacing (Part 2)

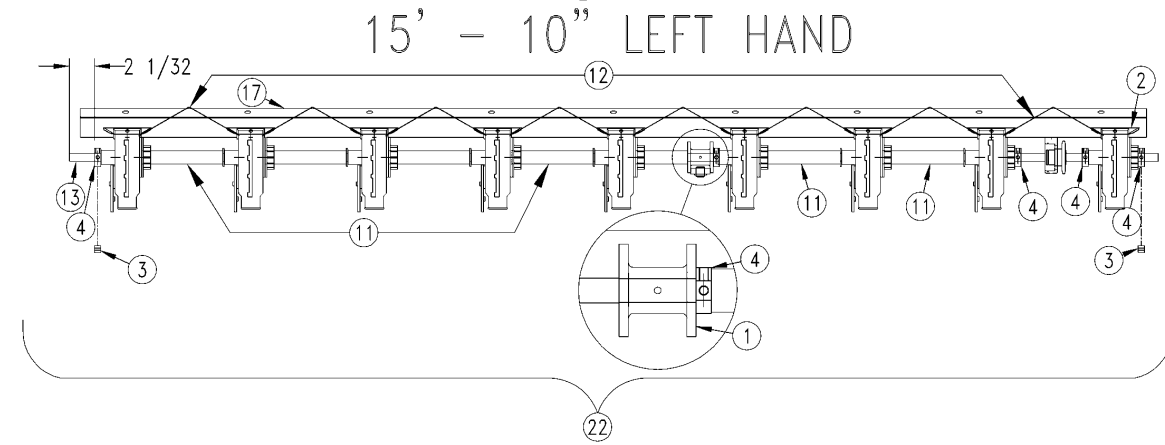
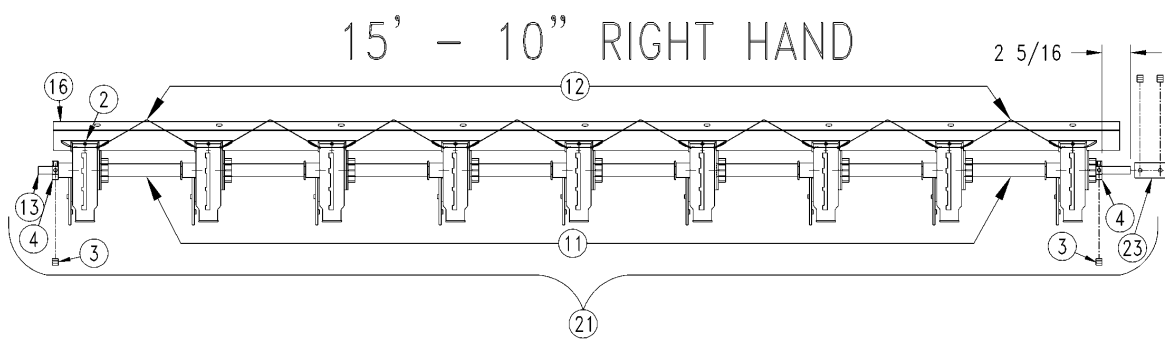
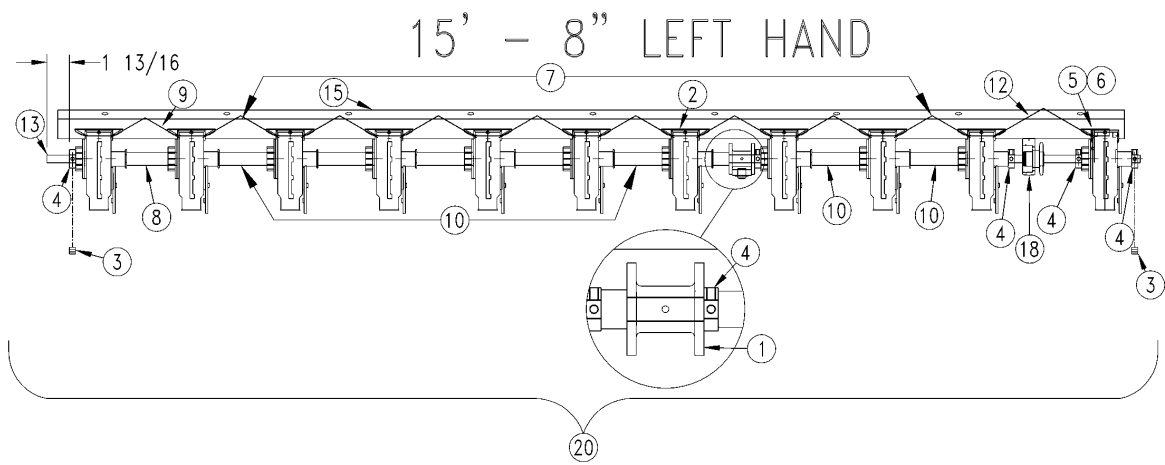
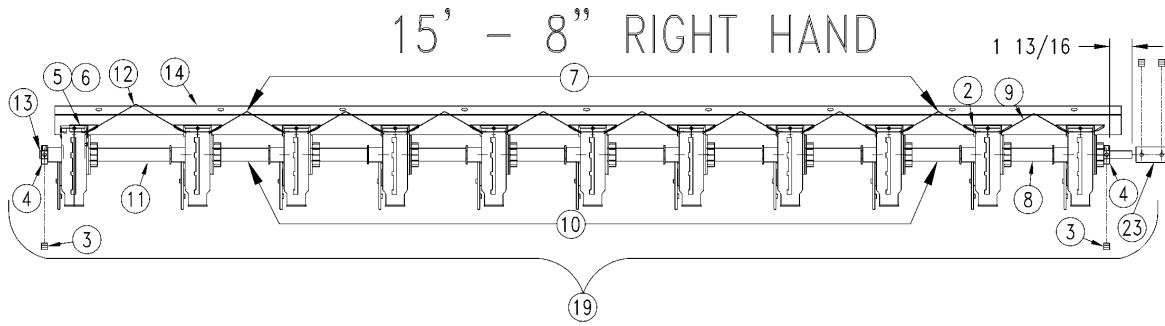
---

(Applies to 1500 (1994+) only)

Ref	Part No.	Part Description	Comments	Revision
	dwg12078	Image No.		
1.	109-091D	MACHINED ADJUSTMENT SPOOL		
2.	804-031C	WASHER RETAINING		
3.	118-341D	2SNT SEED BOX DIVIDER CLIP		
4.	801-035C	SCREW SET 5/16-18 SKT KP X 3/8		
5.	118-432D	6 5/8 BOX DVDR FOR 8 1/2 ROW		
6.	118-433D	BOX DVDR 4.00 X 60DEG		
7.	118-436D	SPACER TUBE X 2.470		
8.	118-437D	BOX DVDR 5.13 X 60DEG		
9.	890-350C	5/8 SHAFT LOCKING COLLAR		2nd rev.
9.	182-022D	RPBY 890-350C		Use existing stock; 1st rev.
10.	118-453D	SEED BOX DIVIDER HALF CLIP LH		
11.	118-454D	SEED BOX DIVIDER HALF CLIP RH		
12.	118-346D	SPACER TUBE X 4.078		
13.	118-340D	5 5/8 BOX DVDR FOR 7 1/2 ROW		
14.	118-438D	SPACER TUBE X 3.579		
15.	118-451D	SQ BAR 5/8 CR X 88 17/32		
16.	118-425D	15'3PT FEEDERCUP TRAY 7 RH		
17.	118-440D	SPACER TUBE X 5.079		
18.	118-459D	15'3PT FEEDERCUP TRAY 7 LH		
19.	118-422D	15'3PT FEEDERCUP TRAY 7 1/2RH		
20.	118-456D	15'3PT FEEDERCUP TRAY 7 1/2LH		
21.	118-226S	FEEDER CUP BEARING ASSEMBLY		
22.	118-433K	15'3PT FEEDRCUP TRAY 7RH ASSY		
23.	118-449K	15'3PT FEEDRCUP TRAY 7LH ASSY		
24.	118-430K	15'3PT FEEDRCP TRY 7.5RH ASSY		
25.	118-446K	15'3PT FEEDRCP TRY 7.5LH ASSY		

### 1500 Drill Feeder Cup Spacing (Part 3)

(Applies to 1500 (1994+) only)



12091

## 1500 Drill Feeder Cup Spacing (Part 3)

---

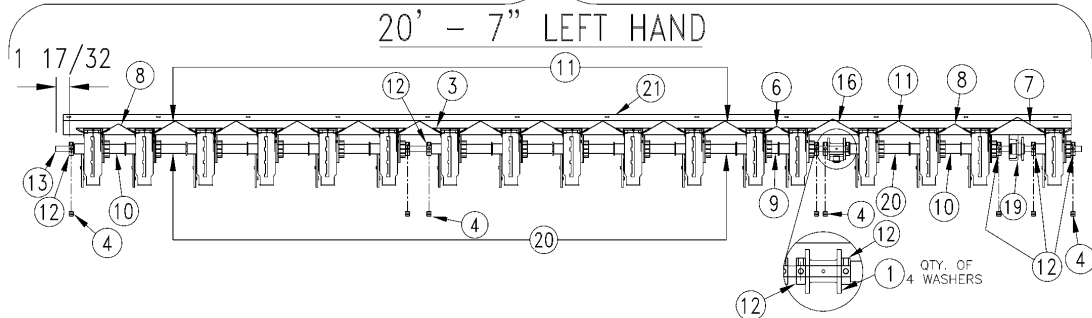
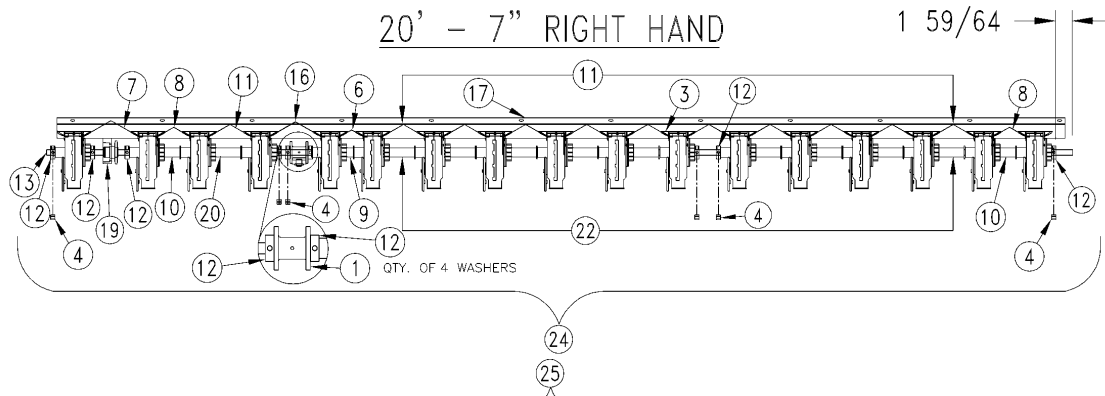
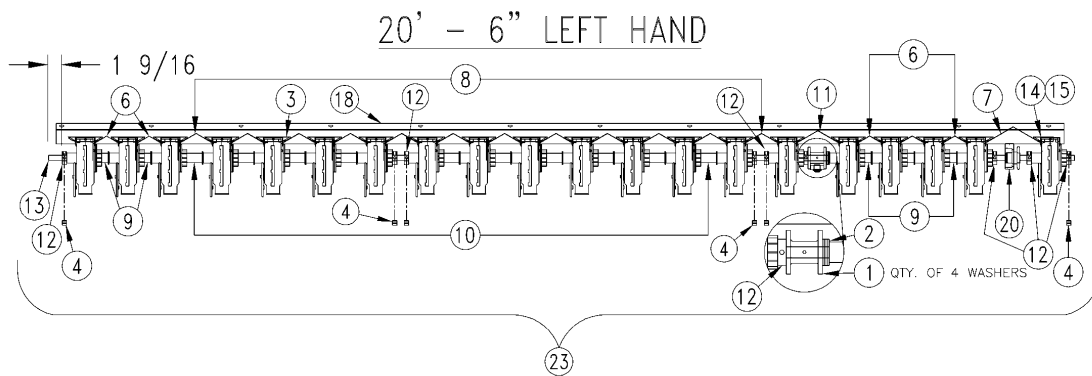
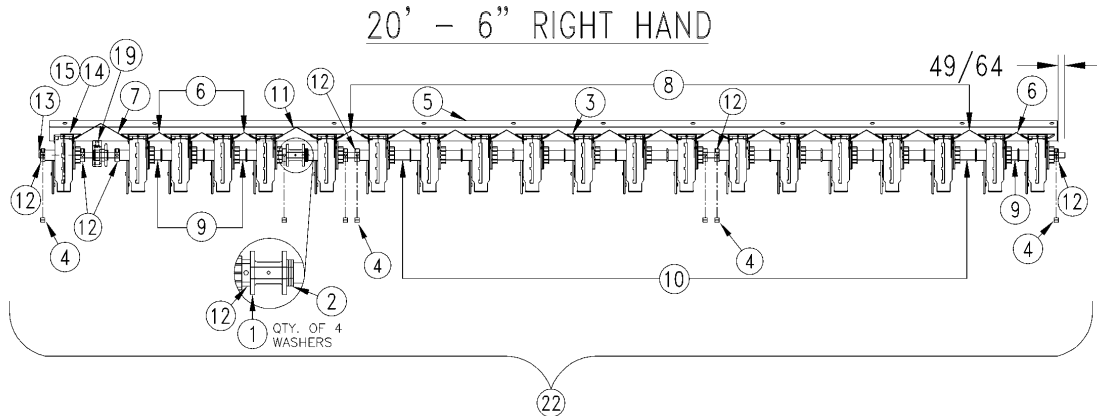
(Applies to 1500 (1994+) only)

Ref	Part No.	Part Description	Comments	Revision
	dwg12091	Image No.		
1.	109-091D	MACHINED ADJUSTMENT SPOOL		
2.	118-341D	2SNT SEED BOX DIVIDER CLIP		
3.	801-035C	SCREW SET 5/16-18 SKT KP X 3/8		
4.	890-350C	5/8 SHAFT LOCKING COLLAR		2nd rev.
4.	182-022D	RPBY 890-350C		Use existing stock; 1st rev.
5.	118-453D	SEED BOX DIVIDER HALF CLIP LH		
6.	118-454D	SEED BOX DIVIDER HALF CLIP RH		
7.	118-372D	BOX DVDR 6.13 X 60DEG		
8.	118-346D	SPACER TUBE X 4.078		
9.	118-340D	5 5/8 BOX DVDR FOR 7 1/2 ROW		
10.	152-040D	4.579 FEEDER CUP SPACER		
11.	118-353D	185C058TUBE X 6.578		
12.	118-356D	BOX DIVIDER FOR 10 ROW		
13.	118-451D	SQ BAR 5/8 CR X 88 17/32		
14.	118-424D	15'3PT FEEDERCUP TRAY 8 RH		
15.	118-458D	15'3PT FEEDERCUP TRAY 8 LH		
16.	118-423D	15'3PT FEEDERCUP TRAY 10 RH		
17.	118-457D	15'3PT FEEDERCUP TRAY 10 LH		
18.	118-226S	FEEDER CUP BEARING ASSEMBLY		
19.	118-432K	15'3PT FEEDRCUP TRAY 8RH ASSY		
20.	118-448K	15'3PT FEEDRCUP TRAY 8LH ASSY		
21.	118-431K	15'3PT FEEDRCP TRAY 10RH ASSY		
22.	118-447K	15'3PT FEEDRCP TRAY 10LH ASSY		
23.	182-044D	FEEDER CUP SHAFT COUPLER		

# Table of Contents Part Number Index

## 2000 Drill Feeder Cup Spacing (Part 1)

(Applies to 2000 (1994+) only)



12069

## **2000 Drill Feeder Cup Spacing (Part 1)**

---

**(Applies to 2000 (1994+) only)**

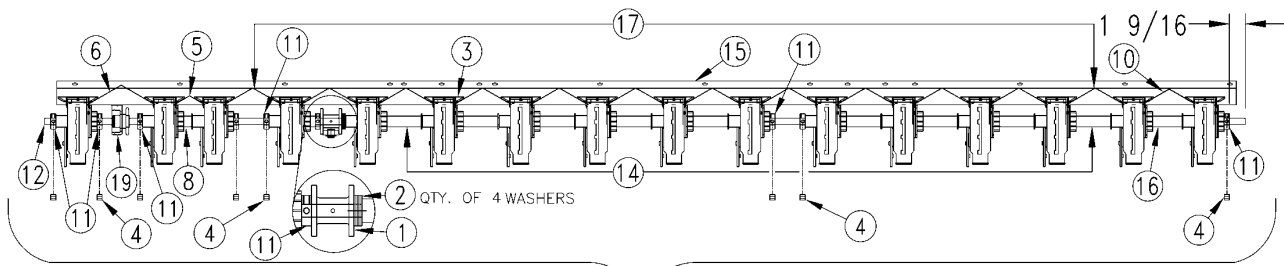
<b>Ref</b>	<b>Part No.</b>	<b>Part Description</b>	<b>Comments</b>	<b>Revision</b>
	dwg12069	Image No.		
1.	109-091D	MACHINED ADJUSTMENT SPOOL		
2.	804-031C	WASHER RETAINING		
3.	118-341D	2SNT SEED BOX DIVIDER CLIP		
4.	801-035C	SCREW SET 5/16-18 SKT KP X 3/8		
5.	118-412D	20'3PT FEEDERCUP TRAY 6 RH		
6.	118-431D	3 BOX DIVIDER FOR 4 7/8 ROW		
7.	118-432D	6 5/8 BOX DVDR FOR 8 1/2 ROW		
8.	118-433D	BOX DVDR 4.00 X 60DEG		
9.	118-434D	SPACER TUBE X 1.454		
10.	118-436D	SPACER TUBE X 2.470		
11.	118-437D	BOX DVDR 5.13 X 60DEG		
12.	890-350C	5/8 SHAFT LOCKING COLLAR		2nd rev.
13.	182-022D	RPBY 890-350C		Use existing stock; 1st rev.
13.	118-450D	SQ BAR 5/8 CR X 117 1/8		
14.	118-453D	SEED BOX DIVIDER HALF CLIP LH		
15.	118-454D	SEED BOX DIVIDER HALF CLIP RH		
16.	118-372D	BOX DVDR 6.13 X 60DEG		
17.	118-419D	20'3PT FEEDERCUP TRAY 7 RH		
18.	118-411D	20'3PT FEEDERCUP TRAY 6 LH		
19.	118-226S	FEEDER CUP BEARING ASSEMBLY		
20.	118-438D	SPACER TUBE X 3.579		
21.	118-420D	20'3PT FEEDERCUP TRAY 7 LH		
22.	118-420K	20'3PT FEEDRCUP TRAY 6RH ASSY		
23.	118-419K	20'3PT FEEDRCUP TRAY 6LH ASSY		
24.	118-428K	20'3PT FEEDRCUP TRAY 7RH ASSY		
25.	118-427K	20'3PT FEEDRCUP TRAY 7LH ASSY		

# Table of Contents Part Number Index

## 2000 Drill Feeder Cup Spacing (Part 2)

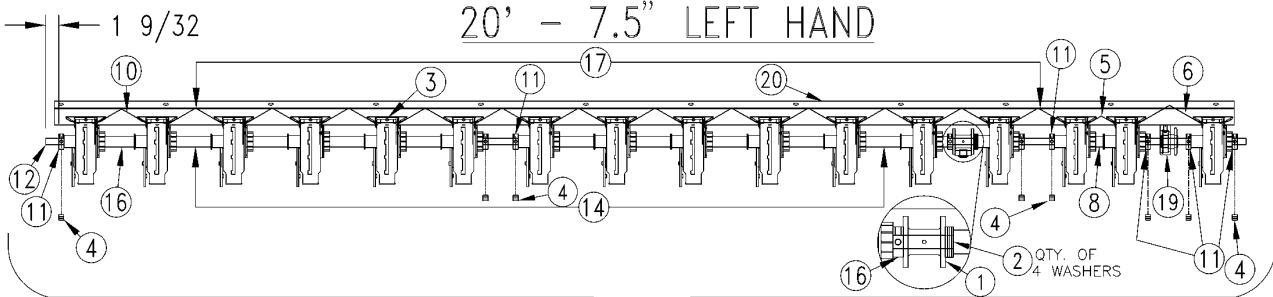
(Applies to 2000 (1994+) only)

### 20' - 7.5" RIGHT HAND



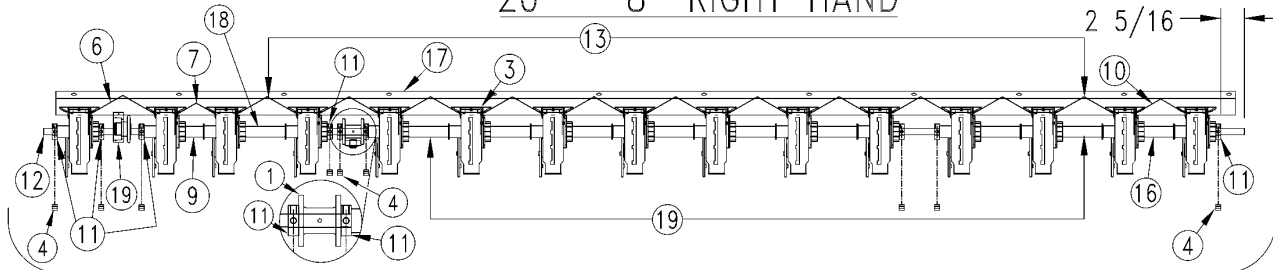
21

### 20' - 7.5" LEFT HAND



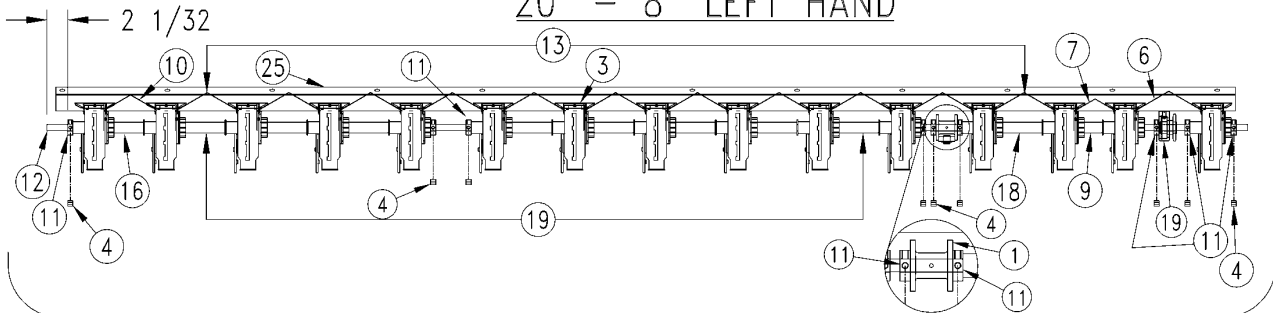
22

### 20' - 8" RIGHT HAND



23

### 20' - 8" LEFT HAND



24

12071



## **2000 Drill Feeder Cup Spacing (Part 2)**

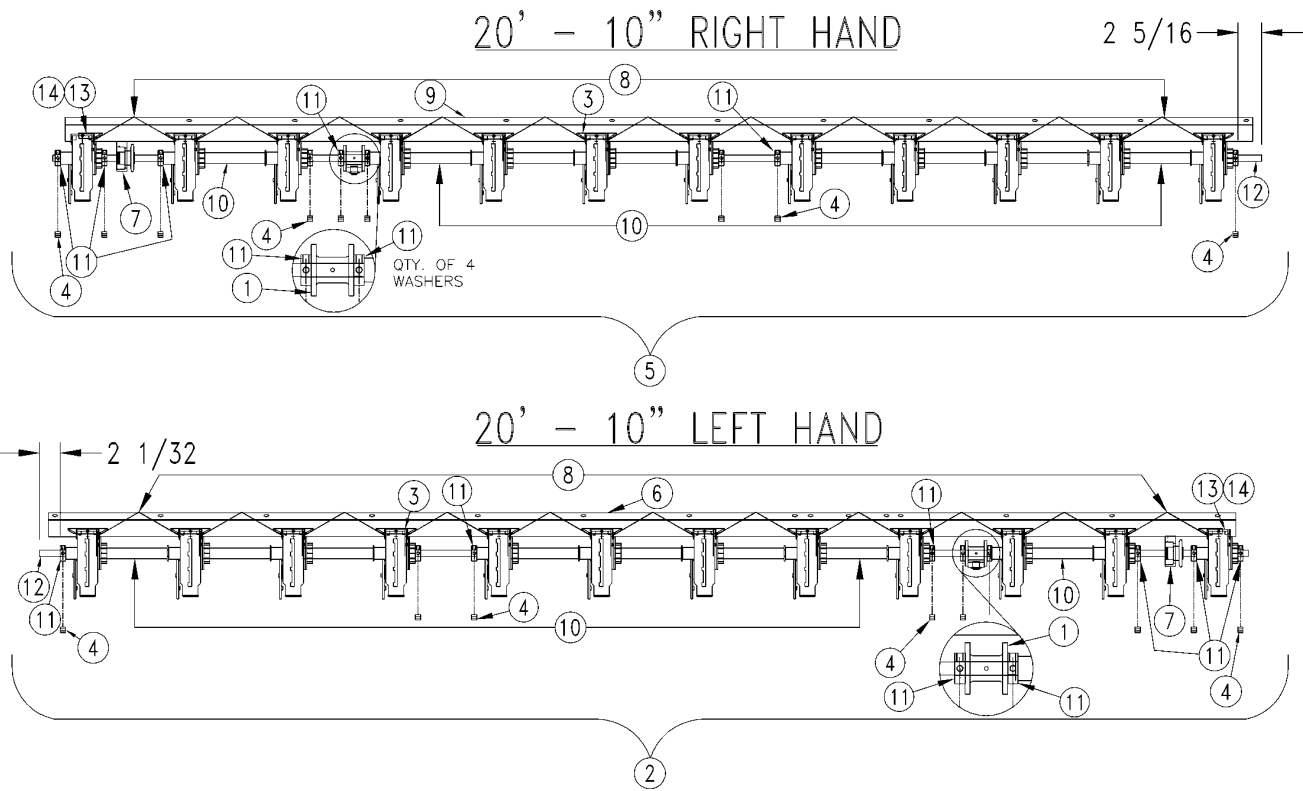
---

**(Applies to 2000 (1994+) only)**

<b>Ref</b>	<b>Part No.</b>	<b>Part Description</b>	<b>Comments</b>	<b>Revision</b>
	dwg12071	Image No.		
1.	109-091D	MACHINED ADJUSTMENT SPOOL		
2.	804-031C	WASHER RETAINING		
3.	118-341D	2SNT SEED BOX DIVIDER CLIP		
4.	801-035C	SCREW SET 5/16-18 SKT KP X 3/8		
5.	118-431D	3 BOX DIVIDER FOR 4 7/8 ROW		
6.	118-432D	6 5/8 BOX DVDER FOR 8 1/2 ROW		
7.	118-433D	BOX DVDR 4.00 X 60DEG		
8.	118-434D	SPACER TUBE X 1.454		
9.	118-436D	SPACER TUBE X 2.470		
10.	118-437D	BOX DVDR 5.13 X 60DEG		
11.	890-350C	5/8 SHAFT LOCKING COLLAR		2nd rev.
11.	182-022D	RPBY 890-350C		Use existing stock; 1st rev.
12.	118-450D	SQ BAR 5/8 CR X 117 1/8		
13.	118-372D	BOX DVDR 6.13 X 60DEG		
14.	118-346D	SPACER TUBE X 4.078		
15.	118-414D	20'3PT FEEDERCUP TRAY 7 1/2RH		
16.	118-438D	SPACER TUBE X 3.579		
17.	118-417D	20'3PT FEEDERCUP TRAY 8 RH		
18.	152-040D	4.579 FEEDER CUP SPACER		
19.	118-226S	FEEDER CUP BEARING ASSEMBLY		
20.	118-413D	20'3PT FEEDERCUP TRAY 7 1/2LH		
21.	118-422K	20'3PT FEEDRCUP TRY 7.5RH ASSY		
22.	118-421K	20'3PT FEEDRCUP TRY 7.5LH ASSY		
23.	118-426K	20'3PT FEEDRCUP TRAY 8RH ASSY		
24.	118-425K	20'3PT FEEDRCUP TRAY 8LH ASSY		
25.	118-418D	20'3PT FEEDERCUP TRAY 8 LH		

**2000 Drill Feeder Cup Spacing (Part 3)**

(Applies to 2000 (1994+) only)



12077

## ***2000 Drill Feeder Cup Spacing (Part 3)***

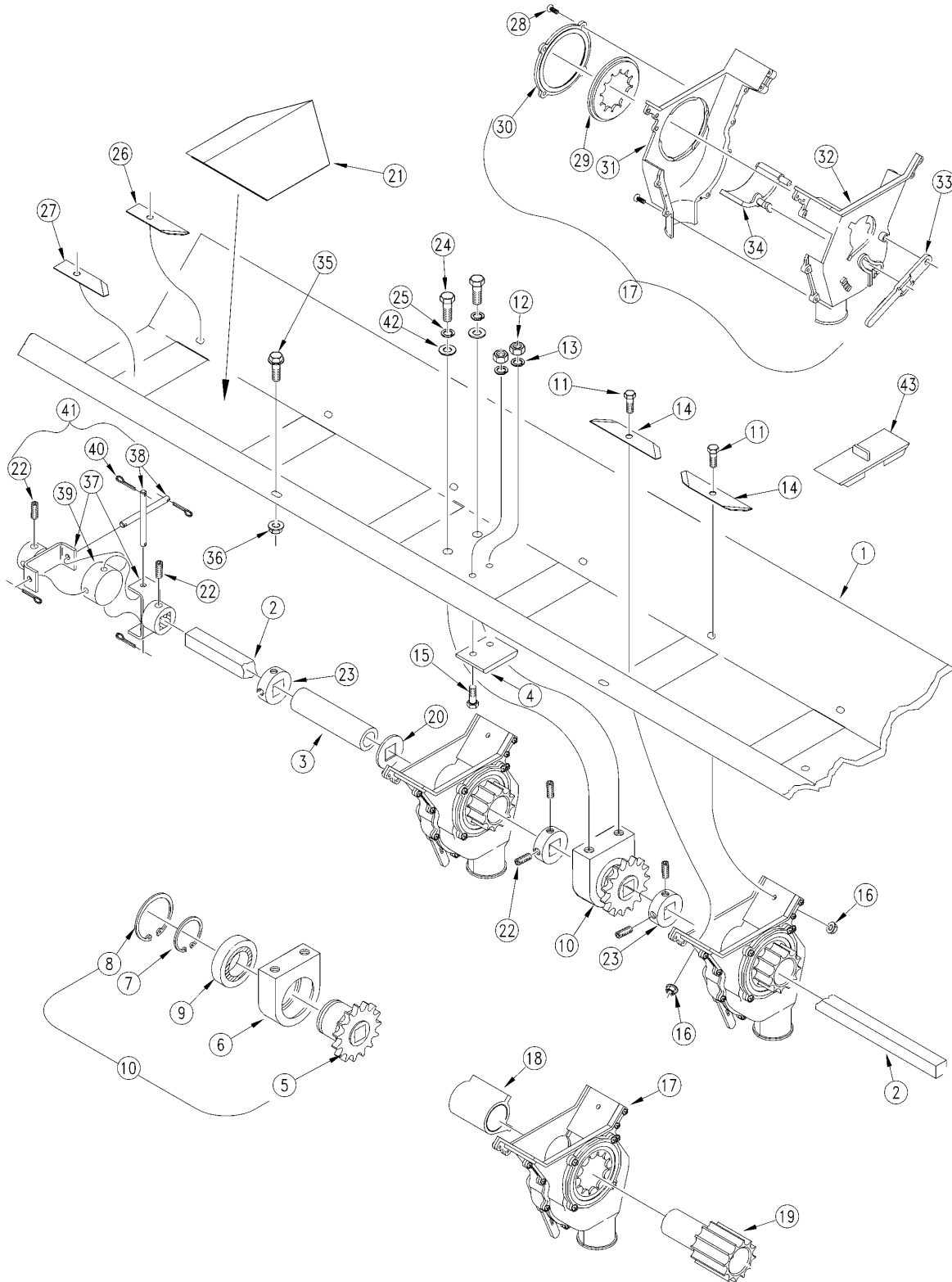
---

**(Applies to 2000 (1994+) only)**

<b>Ref</b>	<b>Part No.</b>	<b>Part Description</b>	<b>Comments</b>	<b>Revision</b>
	dwg12077	Image No.		
1.	109-091D	MACHINED ADJUSTMENT SPOOL		
2.	118-423K	20'3PT FEEDRCUP TRY 10LH ASSY		
3.	118-341D	2SNT SEED BOX DIVIDER CLIP		
4.	801-035C	SCREW SET 5/16-18 SKT KP X 3/8		
5.	118-424K	20'3PT FEEDRCUP TRY 10RH ASSY		
6.	118-415D	20'3PT FEEDERCUP TRAY 10 LH		
7.	118-226S	FEEDER CUP BRG ASSEMBLY		
8.	118-356D	BOX DIVIDER FOR 10 ROW		
9.	118-416D	20'3PT FEEDERCUP TRAY 10 RH		
10.	118-353D	SPACER TUBE X 6.578		
11.	890-350C	5/8 SHAFT LOCKING COLLAR		
12.	118-450D	SQ BAR 5/8 CR X 117 1/8		
13.	118-453D	SEED BOX DIVIDER HALF CLIP LH		
14.	118-454D	SEED BOX DIVIDER HALF CLIP RH		

# Feeder Cup Channel

(Applies to 1200 (1994+), 1500 (1994+), 2000 (1994+) only)



14723

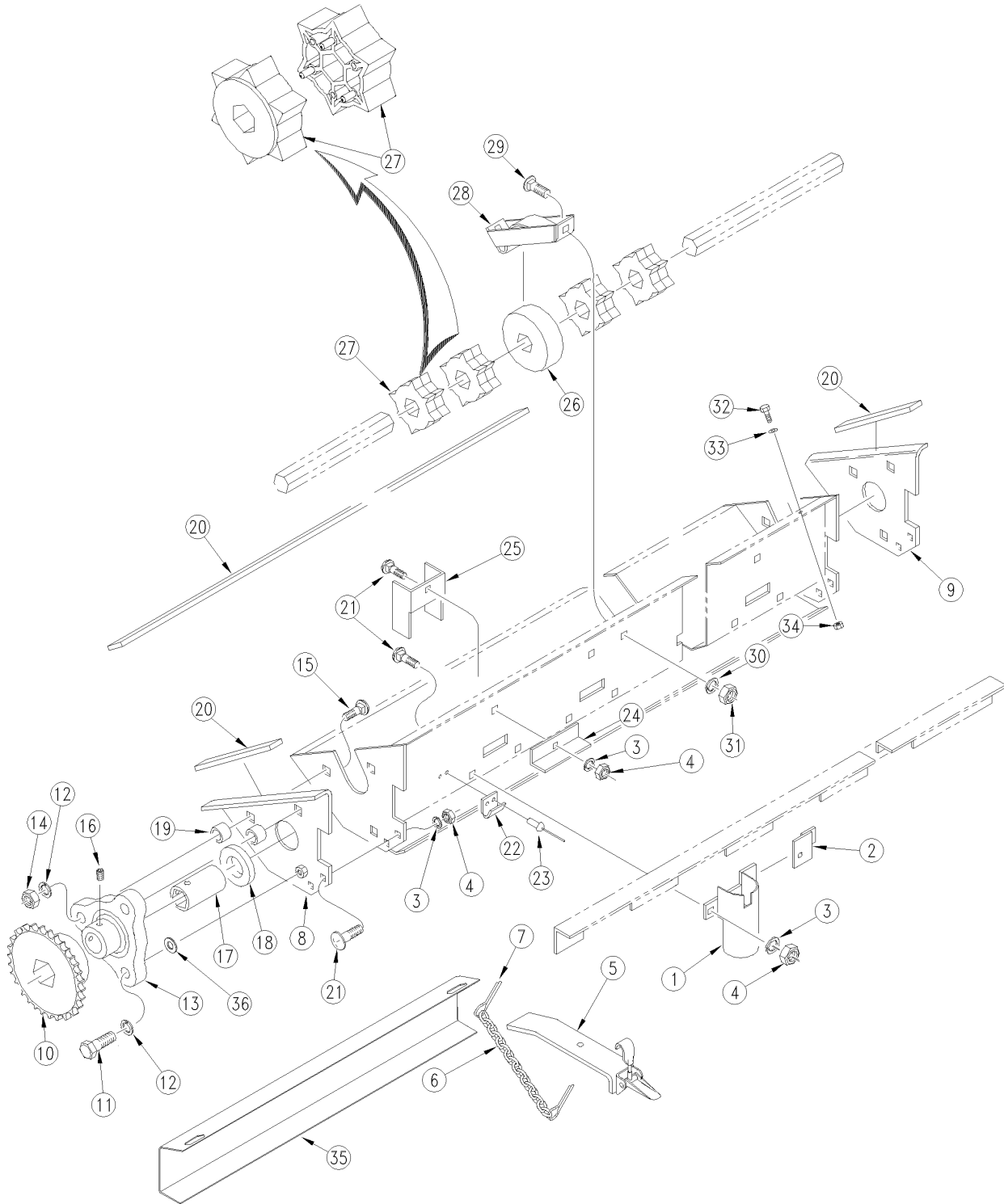
***Feeder Cup Channel***

**(Applies to 1200 (1994+), 1500 (1994+), 2000 (1994+) only)**

<b>Ref</b>	<b>Part No.</b>	<b>Part Description</b>	<b>Comments</b>	<b>Revision</b>
	dwg14723	Image No.		
1.		FEEDER CUP CHANNEL	See "Feeder Cup Spacings" page 4-5 through 4-15	
2.		FEEDER CUP SHAFT	See "Feeder Cup Spacings" page 4-5 through 4-15	
3.		SPACER TUBE	See "Feeder Cup Spacings" page 4-5 through 4-15	
4.	118-348D	RPBY 817-204C		
5.	118-508D	BEARING HUB 40A15	(After 5-1-97)	2nd rev.
5.	118-227E	RPBY 118-508D	(Before 5-1-97)	Use existing stock; 1st rev.
6.	118-336D	FEEDER CUP BEARING HOUSING		
7.	800-004C	SNAP RING EXT BASIC 1 3/16		
8.	800-107C	SNAP RING INTERNAL 2.165		
9.	822-103C	BRG 30IDX55OD MM		
10.	118-226S	FEEDER CUP BEARING ASSEMBLY		
11.	802-004C	HHCS 1/4-20X3/4 GR5		
12.	803-006C	NUT-HEX 1/4-20 PLT		
13.	804-006C	WASHER LOCK SPRING 1/4 PLT		
14.	118-341D	2SNT SEED BOX DIVIDER CLIP		
15.	802-078C	HHCS 1/4-20X5/8 GR5		
16.	803-194C	NUT HEX WHIZ 1/4-20 PLT		
17.	817-075C	SEED CUP ASSEMBLY		
18.	817-074C	SEED CUP SLEEVE		
19.	890-190C	PM SEED CUP SPROCKET		2nd rev.
19.	817-072C	RPBY 890-190C		Use existing stock; 1st rev.
20.	804-031C	WASHER RETAINING		
21.		BOX DIVIDER	See "Feeder Cup Spacings" page 4-5 through 4-15	
22.	801-035C	SCREW SET 5/16-18 SKT KP X 3/8		
23.	890-350C	5/8 SHAFT LOCKING COLLAR		2nd rev.
23.	182-022D	RPBY 890-350C		Use existing stock; 1st rev.
24.	802-014C	HHCS 3/8-16X3/4 GR5		
25.	804-013C	WASHER LOCK SPRING 3/8 PLT		
26.	118-453D	SEED BOX DIVIDER HALF CLIP LH		
27.	118-454D	SEED BOX DIVIDER HALF CLIP RH		
28.	801-057C	SCR SELF TAP 8X3/8 TYPE25 BT		
29.	817-004C	NYLON WASHER-SPLIT		
30.	817-073C	SEED CUP WASHER RETAINER		
31.	817-068C	SEED CUP LEFT HALF		
32.	817-069C	SEED CUP RIGHT HALF		
33.	817-071C	SEED CUP ADJUSTMENT HANDLE		
34.	817-070C	SEED CUP DOOR		
35.	802-196C	HFSS 1/4-20X5/8 GR5		
36.	803-088C	NUT HEX LOCK 1/4-20 FLG		
37.	118-623H	FLEX COUPLER HUB & PIN BRACKET		
38.	118-505D	COUPLER PIN		
39.	118-504D	FLEX COUPLER CENTER SLIDE		
40.	805-067C	PIN COTTER 1/8 X 3/4		
41.	118-624S	FLEX COUPLER ASSY-FIELD		
42.	804-012C	WASHER FLAT 3/8 SAE PLT		
43.	817-087C	1 3/4 WIDE FEEDER CUP PLUG		

# Fertilizer Metering

(Applies to 1200 (1994+), 1500 (1994+), 2000 (1994+) only)



12440

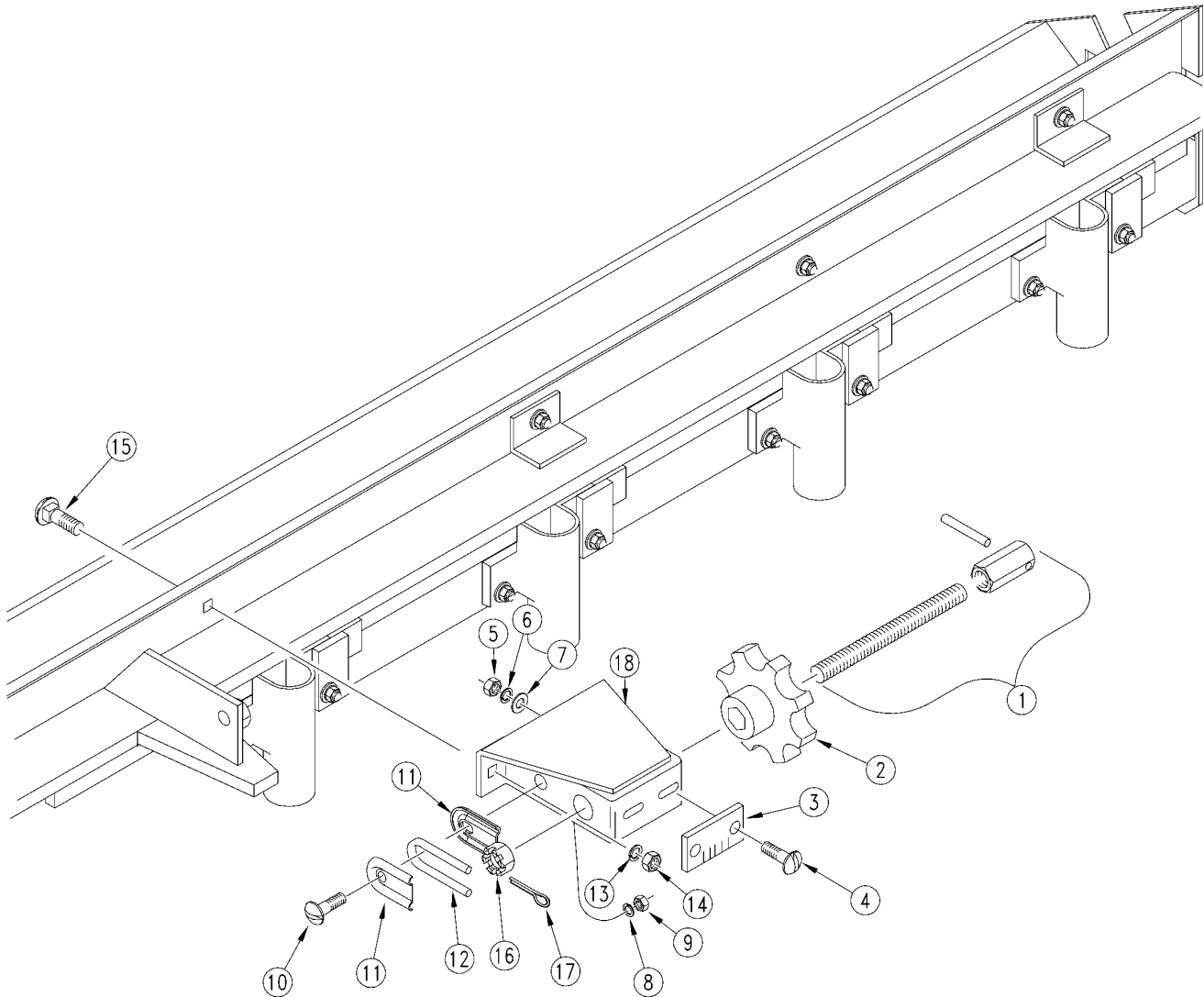
## **Fertilizer Metering**

**(Applies to 1200 (1994+), 1500 (1994+), 2000 (1994+) only)**

<b>Ref</b>	<b>Part No.</b>	<b>Part Description</b>	<b>Comments</b>	<b>Revision</b>
	dwg12440	Image No.		
1.	141-011E	FERT DROP TUBE ASSEMBLY BOX		
2.	141-041E	SLIDE STOP ASSEMBLY		
3.	804-033C	WASHER LOCK 1/4 SS		
4.	803-004C	NUT HEX SS 1/4-20		
5.	141-116H	FERTILIZER LATCH WELDMENT		
6.	142-009D	COVER HANDLE CHAIN		
7.	805-019C	PIN COTTER 5/32 X 1 PLT		
8.	191-006H	MF FERT TRAY END PLT WLDMT LH		
9.	191-007H	MF FERT TRAY END PLT WLDMT RH		
10.	808-086C	SPKT 40B30 X 3/4 HEXBORE W/ SS		
11.	802-079C	HHCS 3/8-16X1 1/4 GR5		
12.	804-013C	WASHER LOCK SPRING 3/8 PLT		
13.	822-083C	BRG FLG 1.25ID 3BOLT		
14.	803-014C	NUT HEX 3/8-16 PLT		
15.	802-252C	RHSNB 3/8-16X1 3/4 GR5		
16.	801-009C	SCREW SET 1/4-28 SH X 1/2 LG		
17.	191-001D	MF FERT.75 HEX BORE BUSHING		
18.	890-026C	FELT SEAL		
19.	141-084D	TRAY BEARING SPACER		
20.	990-024R	SEAL 5/16 X 3/4 DOR-TITE TRAY		
21.	802-089C	RHSNB 1/4-20X3/4 SS		
22.	800-032C	LATCH STRIKE		
23.	800-056C	RIVET POP 3/32 .125 AD32BS		
24.	191-019D	MF FERT TRAY SLIDE SUPPORT		
25.	191-018D	MF FERT STAR RETAINER SIDE PLT		
26.	191-002D	MF FERT HEX BORE PLASTIC BUSH		
27.	817-053C	6 POINT FERT METERING WHEEL	No longer sold in halves. 817-053C includes two halves.	
28.	175-102H	13' EW FERT BEARING RETAINER		
29.	802-092C	RHSNB 5/16-18X3/4 GR5		
30.	804-009C	WASHER LOCK SPRING 5/16 PLT		
31.	803-008C	NUT HEX 5/16-18 PLT		
32.	802-001C	HHCS 1/4-20X3/4 SS		
33.	804-034C	WASHER FLAT 1/4 SAE SS		
34.	803-003C	.00 HEX SS 1/4-20 NYLOCK		
35.	142-273D	FERT TRAY LATCH STRIKE		
36.	804-012C	WASHER FLAT 3/8 SAE PLT		

## Fertilizer Tray Adjustment

(Applies to 1200 (1994+), 1500 (1994+), 2000 (1994+) only)



10633



## ***Fertilizer Tray Adjustment***

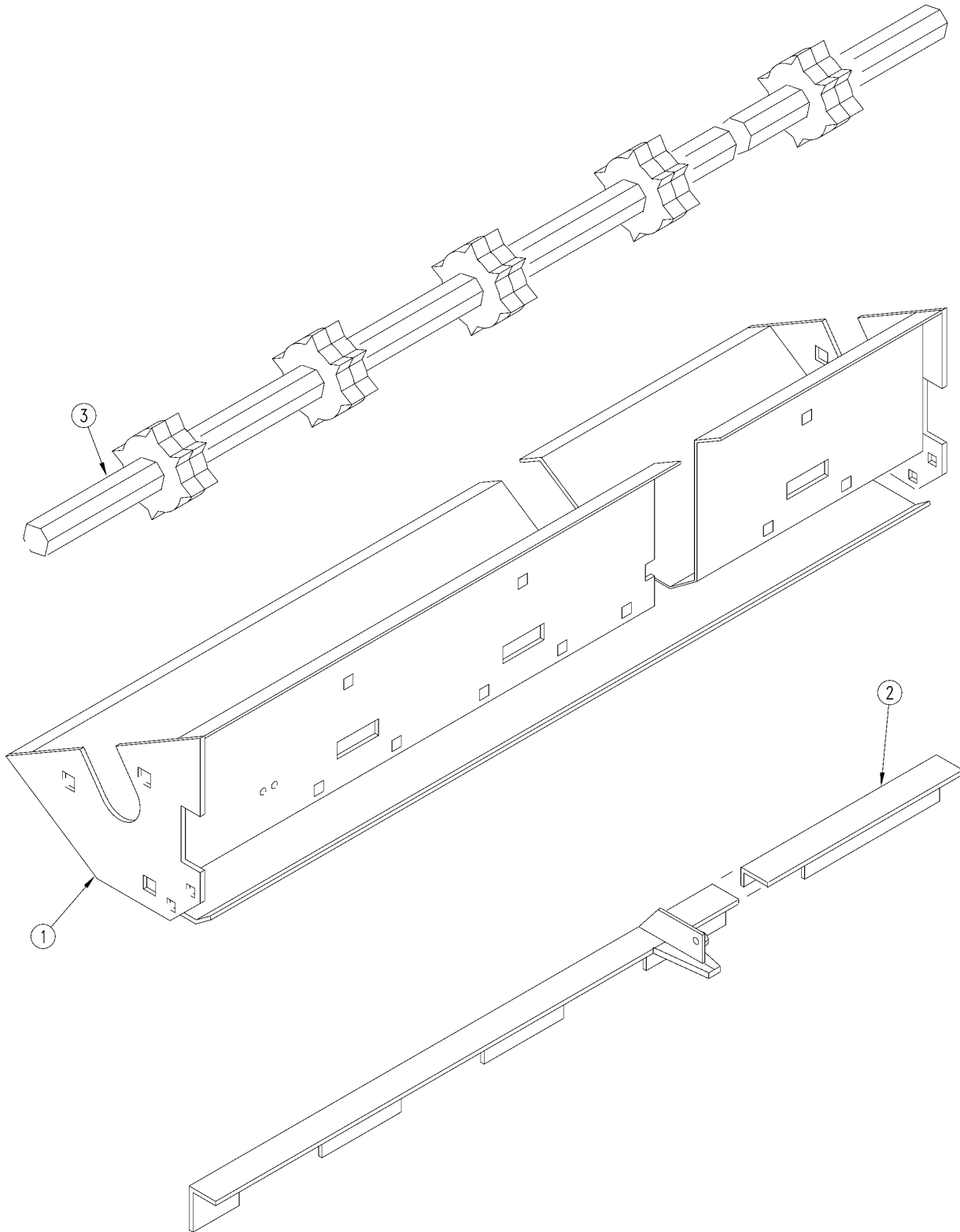
---

**(Applies to 1200 (1994+), 1500 (1994+), 2000 (1994+) only)**

<b>Ref</b>	<b>Part No.</b>	<b>Part Description</b>	<b>Comments</b>	<b>Revision</b>
	dwg10633	Image No.		
1.	150-044S	FERTILIZER ADJUSTMENT ROD ASSY		
2.	817-021C	KNOB P.W. ADJUSTMENT		
3.	819-034C	FERTILIZER ADJUSTMENT GAUGE		
4.	801-001C	SCREW RD HD 8-32 X 3/8 BRASS		
5.	803-035C	NUT HEX 8-32 BRASS		
6.	804-002C	WASHER INTERNAL STAR #8 BRASS		
7.	804-003C	WASHER FLAT #8 BRASS		
8.	804-006C	WASHER LOCK SPRING 1/4 PLT		
9.	803-006C	NUT-HEX 1/4-20 PLT		
10.	801-018C	SCREW RD HD 1/4-20 X 5/8		
11.	122-065D	TENSION SPRING RETAINER		
12.	807-020C	SPRING SCREW ADJ TENSION STRHT		
13.	804-009C	WASHER LOCK SPRING 5/16 PLT		
14.	803-008C	NUT HEX 5/16-18 PLT		
15.	802-092C	RHSNB 5/16-18X3/4 GR5		
16.	150-051D	ACME SLOTTED NUT		
17.	805-064C	PIN COTTER 7/64 X 1 LONG		
18.	191-001H	FERTILIZER ADJ BRKT WELDMENT		

**Fertilizer Trays, Gates & Shafts**

(Applies to 1200 (1994+), 1500 (1994+), 2000 (1994+) only)



12511

***Fertilizer Trays, Gates & Shafts***

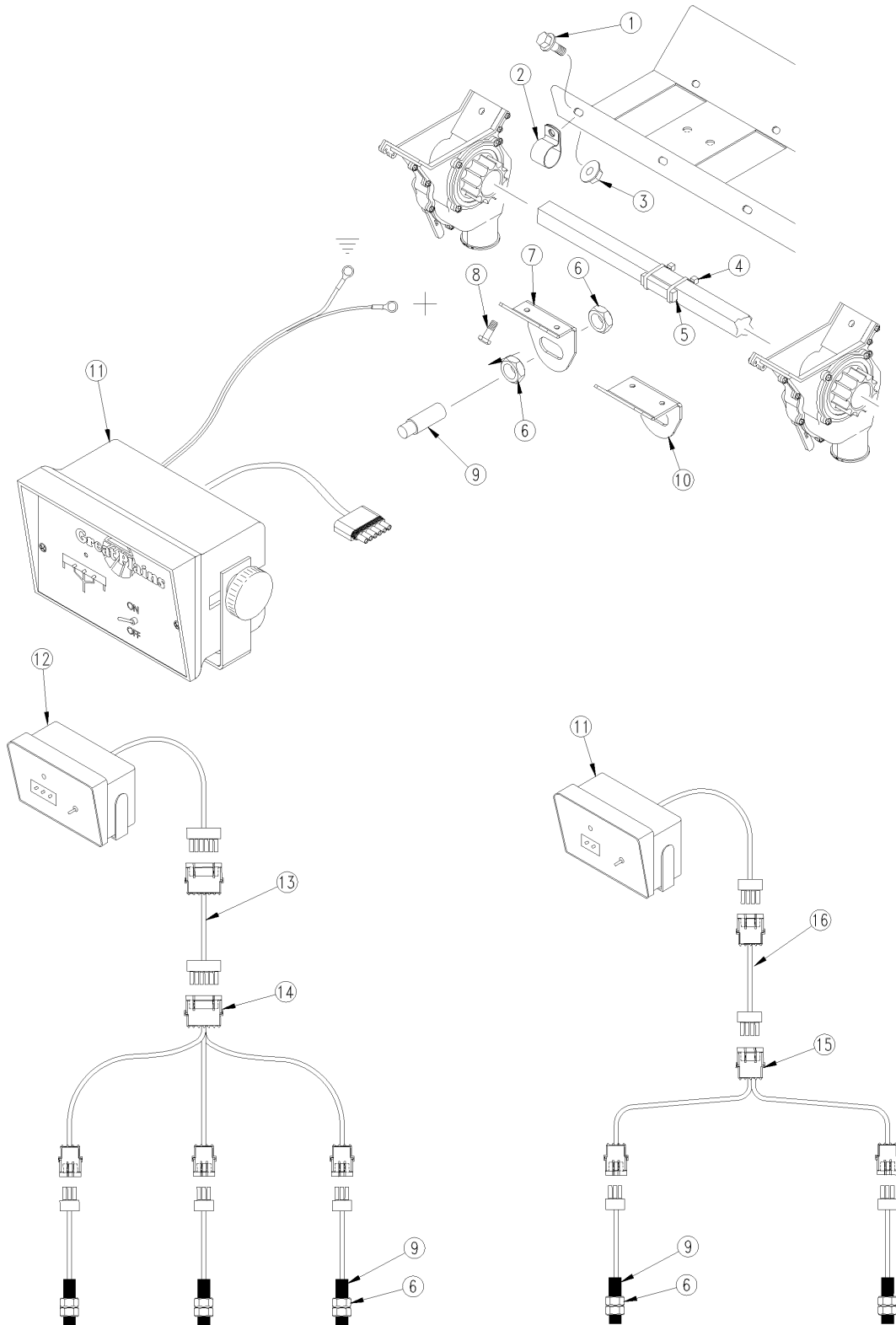
**(Applies to 1200 (1994+), 1500 (1994+), 2000 (1994+) only)**

<b>Ref</b>	<b>Part No.</b>	<b>Part Description</b>	<b>Comments</b>	<b>Revision</b>
	dwg12511	Image No.		
1.	142-630H	3PT 12'-6 FERT TRAY WELDMENT		
1.	142-631H	3PT 12'-7 FERT TRAY WELDMENT		
1.	142-632H	3PT 12'-7.5 FERT TRAY WELDMNT		
1.	142-633H	3PT 12'-8 FERT TRAY WELDMENT		
1.	142-634H	3PT 12'-10 FERT TRAY WELDMENT		
1.	142-540H	3PT 15'-6 FERT TRAY WELDMENT		
1.	142-541H	3PT 15'-7 FERT TRAY WELDMENT		
1.	142-542H	3PT 15'-7.5 FERT TRAY WELDMNT		
1.	142-543H	3PT 15'-8 FERT TRAY WELDMENT		
1.	142-544H	3PT 15'-10 FERT TRAY WELDMENT		
1.	142-545H	3PT 20'-6 FERT TRAY WELDMENT		
1.	142-546H	3PT 20'-7 FERT TRAY WELDMENT		
1.	142-547H	3PT 20'-7.5 FERT TRAY WELDMNT		
1.	142-548H	3PT 20'-8 FERT TRAY WELDMENT		
1.	142-549H	3PT 20'-10 FERT TRAY WELDMENT		
2.	142-636H	3PT FERT SLIDE GATE 12'-6 24RW		
2.	142-637H	3PT FERT SLIDE GATE 12'-7 20RW		
2.	142-638H	3PT FERT SLIDE GATE 12'-7.5 19RW		
2.	142-639H	3PT FERT SLIDE GATE 12'-8 18RW		
2.	142-640H	3PT FERT SLIDE GATE 12'-10 14RW		
2.	142-552H	3PT FERT SLIDE GATE 15'-6 30RW		
2.	142-553H	3PT FERT SLIDE GATE 15'-7 26RW		
2.	142-554H	3PT FERT SLIDE GATE 15'-7.5 24RW		
2.	142-555H	3PT FERT SLIDE GATE 15'-8 22RW		
2.	142-556H	3PT FERT SLIDE GATE 15'-10 18RW		
2.	142-557H	3PT FERT SLIDE GATE 20'-6 40RW		
2.	142-558H	3PT FERT SLIDE GATE 20'-7 34RW		
2.	142-559H	3PT FERT SLIDE GATE 20'-7.5 32RW		
2.	142-560H	3PT FERT SLIDE GATE 20'-8 30RW		
2.	142-561H	3PT FERT SLIDE GATE 20'-10 24RW		
3.	142-272D	FERT TRAY 3/4 HEX SHAFT X 139		
3.	142-265D	FERT TRAY 3/4 HEX SHFT X88 3/4		
3.	142-266D	FERT TRAY 3/4 HEX SHFT X116 7/8		

[Table of Contents](#)   [Part Number Index](#)

**Loup Shaft Monitor (2 Channel 116-282A) (3 Channel 116-283A)**

(Applies to 1200 (1994+), 1500 (1994+), 2000 (1994+) only)



34220

***Loup Shaft Monitor (2 Channel 116-282A) (3 Channel 116-283A)***

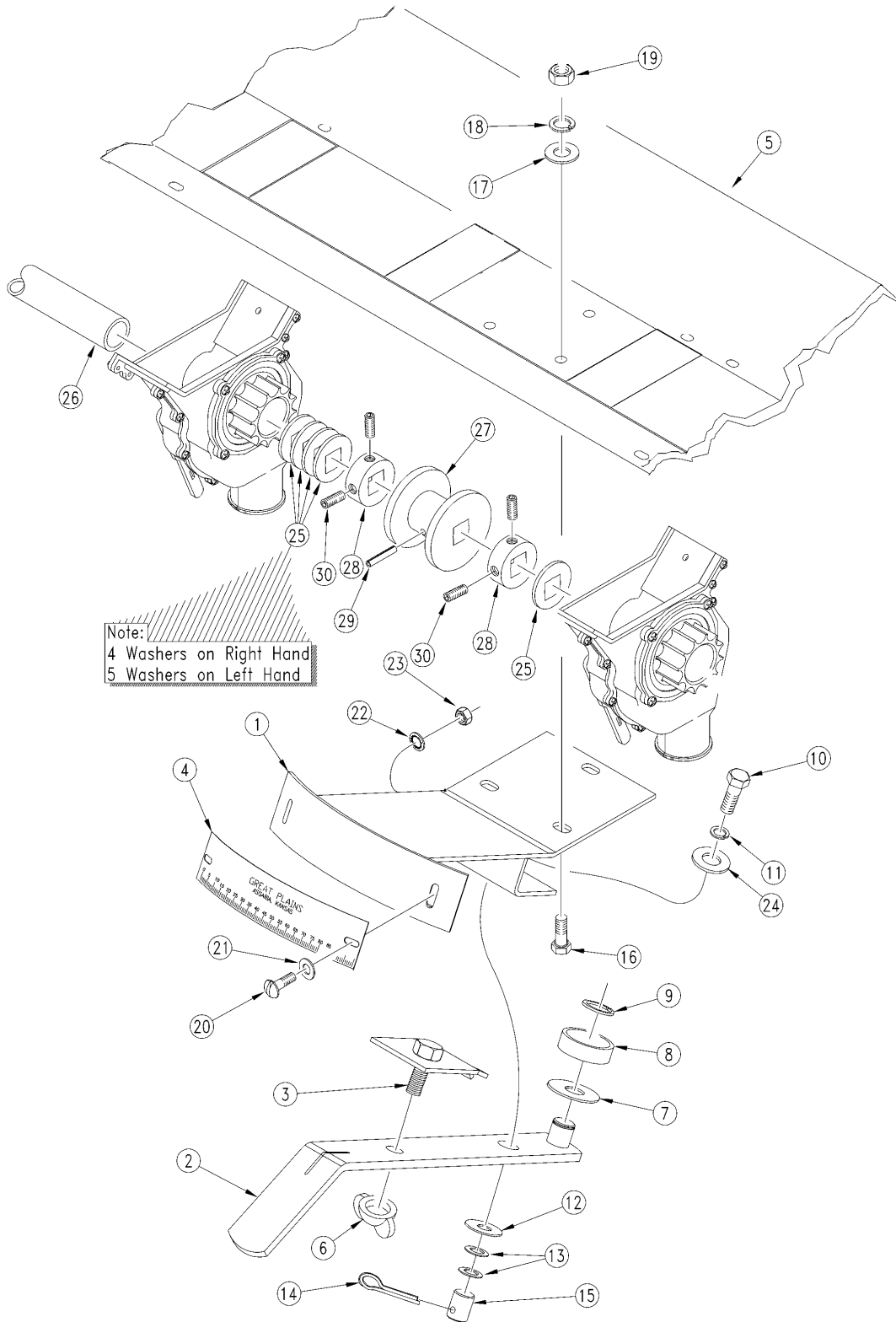
---

(Applies to 1200 (1994+), 1500 (1994+), 2000 (1994+) only)

<b>Ref</b>	<b>Part No.</b>	<b>Part Description</b>	<b>Comments</b>	<b>Revision</b>
	dwg34220	Image No.		
1.	802-257C	HFSS 1/4-20X3/4 GR5		
2.	800-052C	HOSE CLIP 5/8 I.D.		
3.	803-088C	NUT HEX LOCK 1/4-20 FLG		
4.	770026	CABLE TIE, NYLON		
5.	540017	MAGNET, ADHESIVE BACKED, LARGE		
6.	710425	NUT HEX JAM, PLASTIC M16 X 2		
7.	116-019D	SHAFT SENSOR MOUNT		
8.	801-199C	SCR SELF TAP #10 X 3/4		
9.	253100	LOUP SHAFT SENSOR 2&3 CHANNEL		
10.	116-020D	SMALL CUP SENSOR MOUNT		
11.	253017	LOUP 3 CHANNEL SHAFT MONITOR		
12.	253016	LOUP 2 CHANNEL SHAFT MONITOR		
13.	833-595C	SHAFT MONITOR EXT. 30' 6P WP		
14.	318951	HARNESS 3 SHAFT MONITOR LOUP		
15.	253017	LOUP 3 CHANNEL SHAFT MONITOR		
16.	833-596C	SHAFT MONITOR EXT. 25' 4P WP		
17.	318917	HARNESS 2 SHAFT MONITOR LOUP		

## Seed Rate Handle

(Applies to 1200 (1994+), 1500 (1994+), 2000 (1994+) only)



12044

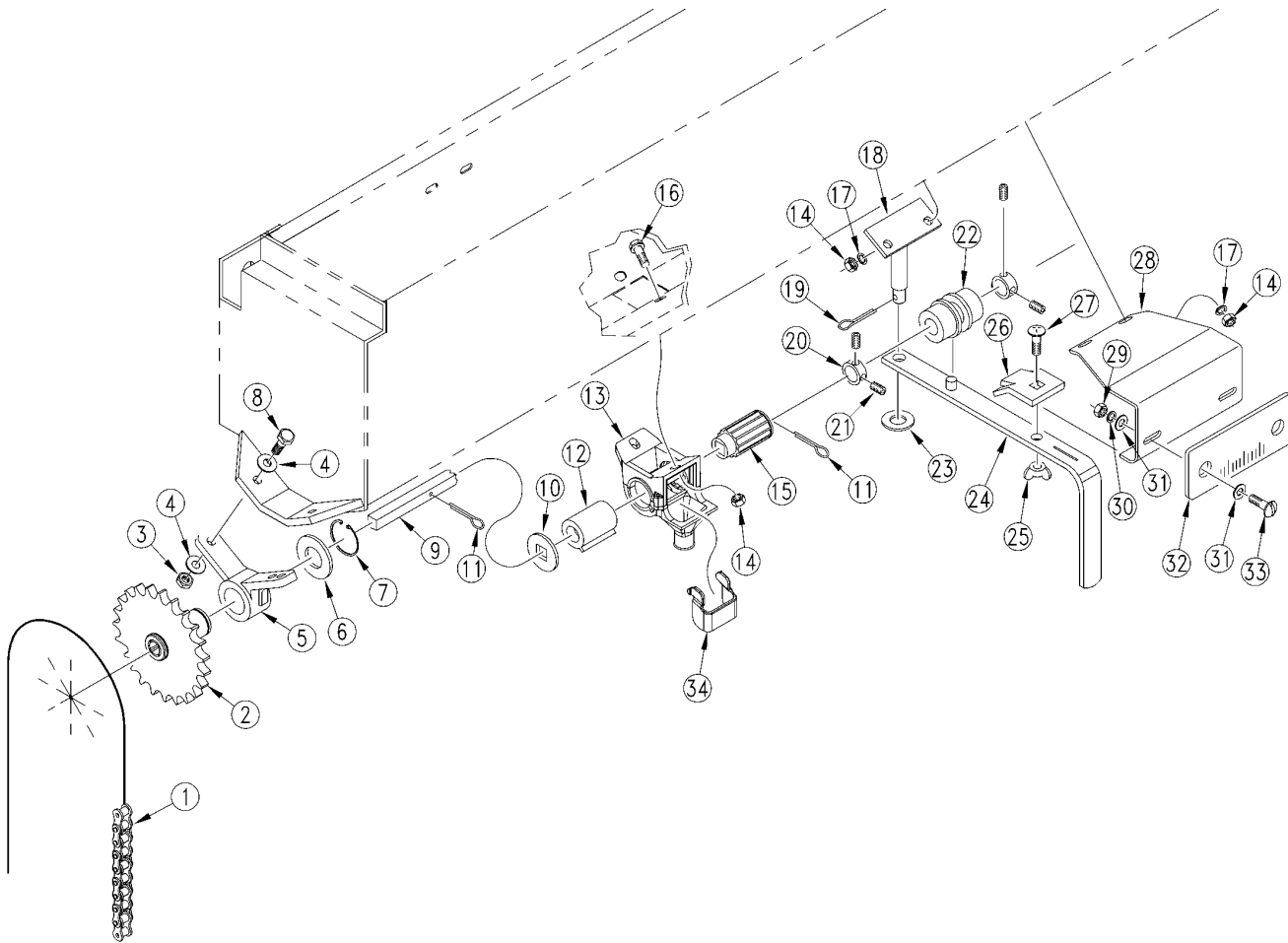
**Seed Rate Handle**

**(Applies to 1200 (1994+), 1500 (1994+), 2000 (1994+) only)**

<b>Ref</b>	<b>Part No.</b>	<b>Part Description</b>	<b>Comments</b>	<b>Revision</b>
	dwg12044	Image No.		
1.	118-444H	SEED RATE ADJ WLDMNT		
2.	118-443H	SEED RATE ADJ HANDLE WLDMNT		
3.	109-025H	ADJ LOCK PLATE ASS'Y - 1 1/2 W		
4.	819-001C	NAME PLATE ADJ. GUIDE LONG		
5.		FEEDER CUP CHANNEL	See "Feeder Cup Spacings" page 4-5 through page 4-15	
6.	803-016C	NUT WING 1/2-13 PLT		
7.	804-001C	WASHER ADJ HANDLE BRG		
8.	822-008C	BRG BALL 17IDX40OD 6203		
9.	800-003C	SNAP RING EXT 17 MM		
10.	802-014C	HHCS 3/8-16X3/4 GR5		
11.	804-013C	WASHER LOCK SPRING 3/8 PLT		
12.	804-021C	WASHER FLAT 5/8 SAE PLT		
13.	804-040C	WASHER MACH 1.19 X .63 X 18GA		
14.	805-016C	PIN COTTER 3/16 X 1 1/4 PLT		
15.	109-069D	ADJUSTMENT HANDLE PIVOT		
16.	802-007C	HHCS 5/16-18X3/4 GR5		
17.	804-036C	WASHER FLAT 5/16 SAE PLT		
18.	804-009C	WASHER LOCK SPRING 5/16 PLT		
19.	803-008C	NUT HEX 5/16-18 PLT		
20.	801-001C	SCREW RD HD 8-32 X 3/8 BRASS		
21.	804-003C	WASHER FLAT #8 BRASS		
22.	804-002C	WASHER INTERNAL STAR #8 BRASS		
23.	803-035C	NUT HEX 8-32 BRASS		
24.	804-012C	WASHER FLAT 3/8 SAE PLT		
25.	804-031C	WASHER RETAINING		
26.		SPACER	See "Feeder Cup Spacings" page 4-5 through page 4-15	
27.	109-091D	MACHINED ADJUSTMENT SPOOL		
28.	890-350C	5/8 SHAFT LOCKING COLLAR		2nd rev.
28.	182-022D	RPBY 890-350C		Use existing stock; 1st rev.
29.	805-023C	PIN ROLL 3/16X1 1/4 PLT		
30.	801-035C	SCREW SET 5/16-18 SKT KP X 3/8		

## Small Seeds Metering

(Applies to 1200 (1994+), 1500 (1994+), 2000 (1994+) only)



17029



***Small Seeds Metering***

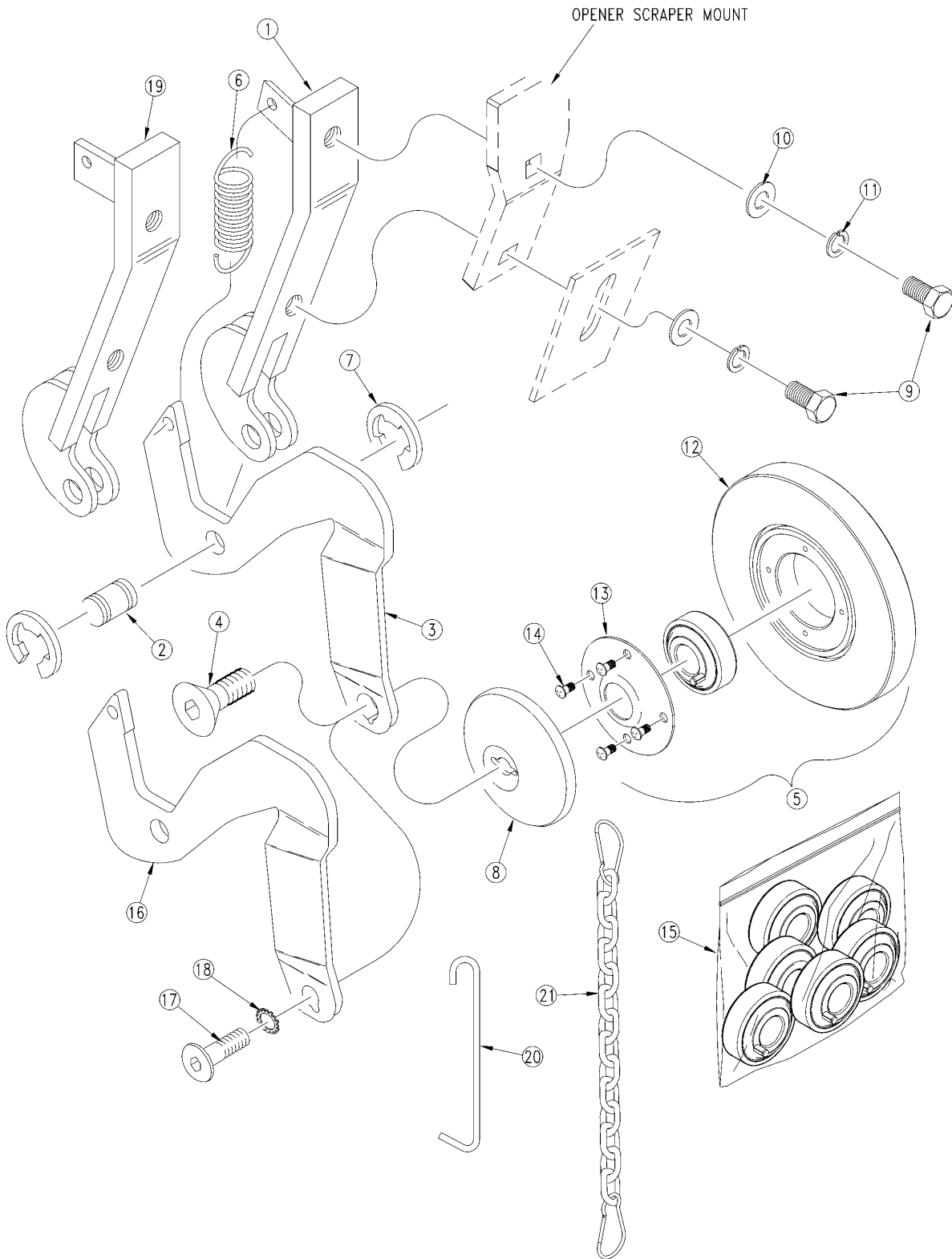
**(Applies to 1200 (1994+), 1500 (1994+), 2000 (1994+) only)**

<b>Ref</b>	<b>Part No.</b>	<b>Part Description</b>	<b>Comments</b>	<b>Revision</b>
	dwg17029	Image No.		
1.	809-115C	#40 CHAIN 60 PITCH W/CON.		
2.	123-834H	SML SDS DRIVE SPKT HUB 27T		
3.	803-003C	.00 HEX SS 1/4-20 NYLOCK		
4.	804-007C	WASHER FLAT 1/4 SAE PLT		
5.	817-026C	HANGER DRIVE SHAFT		
6.	804-044C	WASHER FLAT 1 3/8X.876X.048 TH		
7.	800-028C	SNAP RING .875		
8.	802-005C	HHCS 1/4-20X1 GR5		
9.	123-495D	3PT SML SDS 15'-6 CUP SHFT RH		
9.	123-496D	3PT SML SDS 15'-6 CUP SHFT LH		
9.	123-497D	3PT SML SDS 15'-7 CUP SHFT RH		
9.	123-498D	3PT SML SDS 15'-7 CUP SHFT LH		
9.	123-499D	3PT SMLSDS 15'-7.5CUP SHFT RH		
9.	123-500D	3PT SMLSDS 15'-7.5CUP SHFT LH		
9.	123-501D	3PT SML SDS 15'-8 CUP SHFT RH		
9.	123-502D	3PT SML SDS 15'-8 CUP SHFT LH		
9.	123-503D	3PT SML SDS 15'-10CUP SHFT RH		
9.	123-504D	3PT SML SDS 15'-10CUP SHFT LH		
9.	123-505D	3PT SML SDS 20'-6 CUP SHFT		
9.	123-506D	3PT SML SDS 20'-7 CUP SHFT		
9.	123-507D	3PT SML SDS 20'-7.5 CUP SHFT		
9.	123-508D	3PT SML SDS 20'-8 CUP SHFT		
9.	123-509D	3PT SML SDS 20'-10 CUP SHFT		
9.	123-510D	3PT SML SDS 12'-6 CUP SHFT		
9.	123-511D	3PT SML SDS 12'-7 CUP SHFT		
9.	123-512D	3PT SML SDS 12'-7.5 CUP SHFT		
9.	123-513D	3PT SML SDS 12'-8 CUP SHFT		
9.	123-514D	3PT SML SDS 12'-10 CUP SHFT		
10.	804-042C	WASHER GRASS SEEDER CUP SHAFT		
11.	805-067C	PIN COTTER 1/8 X 3/4		
12.	817-009C	GRASS SEEDER SLEEVE		
13.	817-504C	SML SEED FEEDER CUP ASSY		2nd rev.
13.	817-008C	RPBY 817-504C		1st rev.
14.	803-006C	NUT-HEX 1/4-20 PLT		
15.	817-010C	GRASS SEEDER SPROCKET		
16.	802-148C	HFSS 1/4-20X1/2 GR5		
17.	804-006C	WASHER LOCK SPRING 1/4 PLT		
18.	123-050H	ADJUSTMENT HANDLE PIVOT		
19.	805-019C	PIN COTTER 5/32 X 1 PLT		
20.	890-349C	3/8 SHAFT LOCKING COLLAR		2nd rev.
20.	123-436D	RPBY 890-349C		Use existing stock; 1st rev.
21.	801-035C	SCREW SET 5/16-18 SKT KP X 3/8		
22.	123-116D	SEED ADJUSTMENT SPOOL		
23.	804-012C	WASHER FLAT 3/8 SAE PLT		
24.	123-476H	REAR SEED RATE ADJ HANDLE WLD		
25.	803-058C	NUT WING 5/16-18		
26.	123-113D	LOCK TAB		
27.	802-092C	RHSNB 5/16-18X3/4 GR5		
28.	123-410D	GAUGE MOUNTING BRACKET		
29.	803-035C	NUT HEX 8-32 BRASS		
30.	804-002C	WASHER INTERNAL STAR #8 BRASS		
31.	804-003C	WASHER FLAT #8 BRASS		
32.	819-041C	SEED ADJUSTMENT GUIDE		
33.	801-001C	SCREW RD HD 8-32 X 3/8 BRASS		
34.	817-806C	SMALL SEEDS CUP WIND SHIELD		

[Table of Contents](#)   [Part Number Index](#)

**5" & 6" Seed-Lok® (Option)**

(Applies to 1200 (1994+), 1500 (1994+), 2000 (1994+) only)



13037

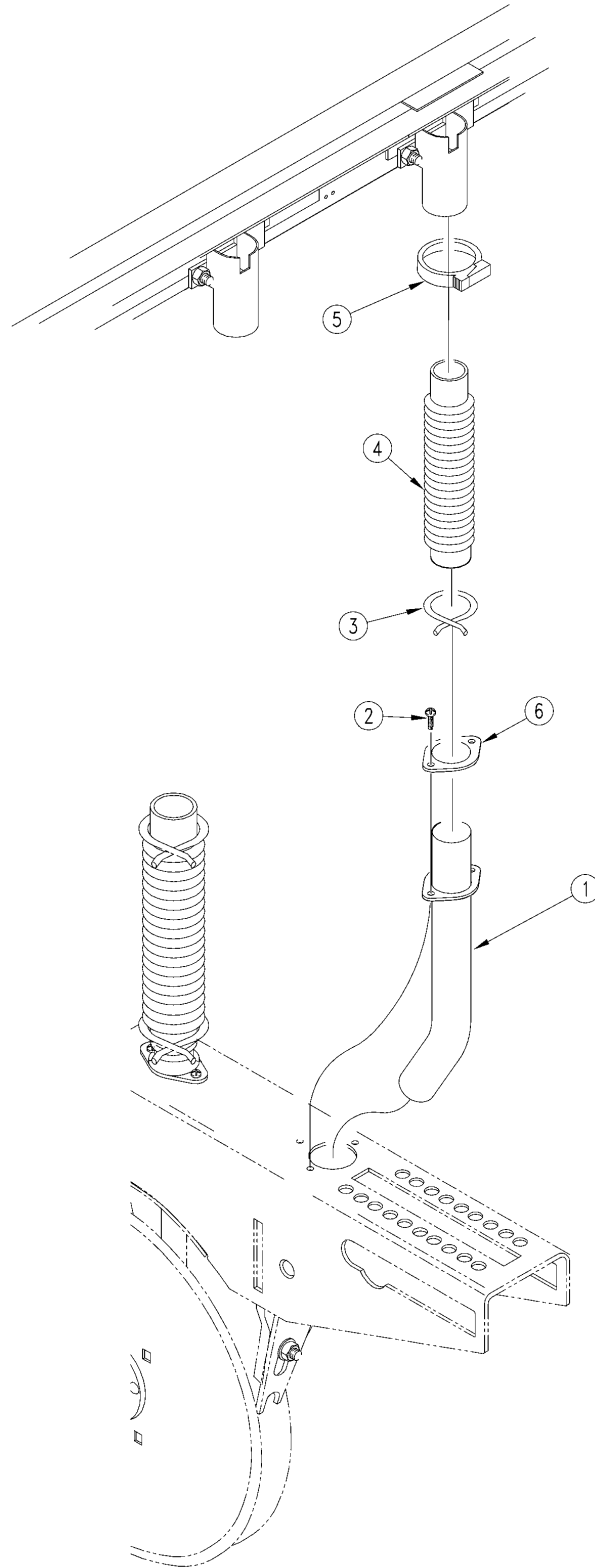
**5" & 6" Seed-Lok® (Option)**

**(Applies to 1200 (1994+), 1500 (1994+), 2000 (1994+) only)**

<b>Ref</b>	<b>Part No.</b>	<b>Part Description</b>	<b>Comments</b>	<b>Revision</b>
	dwg13037	Image No.		
1.	122-187H	DC RMVBL SD-LOK MNT WLDMT	20 Series Opener	
2.	122-120D	5 SEED-LOK WHL ARM PIVOT PIN		
3.	122-156D	20 SERIES SEED LOCK ARM	20 Series Opener	
4.	801-143C	SFHCS 3/8-16X3/4 82 DEGREE	20 Series Opener	
5.	122-201S	SD-LK 203 BEARING WHEEL ASSY	5" Seed Lok	
5.	206-014S	6 SEED LOK ASSEMBLY	6" Seed Lok	
6.	807-101C	SPRING, 1 O.D.X.125WIREX 3 1/2		
7.	800-093C	RING SNAP EXTERNAL "E" 1/2		
8.	206-021D	SEED LOK WHEEL CAP (LONG)		
9.	802-017C	HHCS 3/8-16X1 GR5		
10.	804-012C	WASHER FLAT 3/8 SAE PLT		
11.	804-013C	WASHER LOCK SPRING 3/8 PLT		
12.	817-134C	5/8 X 5 SEED FIRING WHEEL	5" Seed Lok	
12.	817-191C	5/8 X 6 SEED LOK WHEEL	6" Seed Lok	
13.	816-173C	RETAINER W/BONDED SEAL 4BLT		
14.	801-084C	SCR PH THD FMG #10X1/2 TP ZP		
15.	122-231A	RPBY 188-008V	Includes 6 bearings.	
16.	122-151D	SEED-LOK ARM (1994)	00 & 10 Series Openers	
17.	801-078C	SCR HX SKT BUT CP 3/8-16X3/4	00 & 10 Series Openers (5" Seed Lok)	
17.	801-141C	LHS CP 3/8-16X3/4 GR8 PLATED	00 & 10 Series Openers (6" Seed Lok)	
18.	804-078C	WASHER INTERNAL STAR 3/8 PLT.	00 & 10 Series Openers	
19.	122-173H	SS RMVBL SD-LOK MNT WLDMT	00 & 10 Series Openers	
20.	800-310C	SEED LOK HANGER SPRING		
21.	809-198C	SEED LOK TIE UP		

## Fertilizer Hose Retainer

(Applies to 1200 (1994+), 1500 (1994+), 2000 (1994+) only)



13455

## ***Fertilizer Hose Retainer***

---

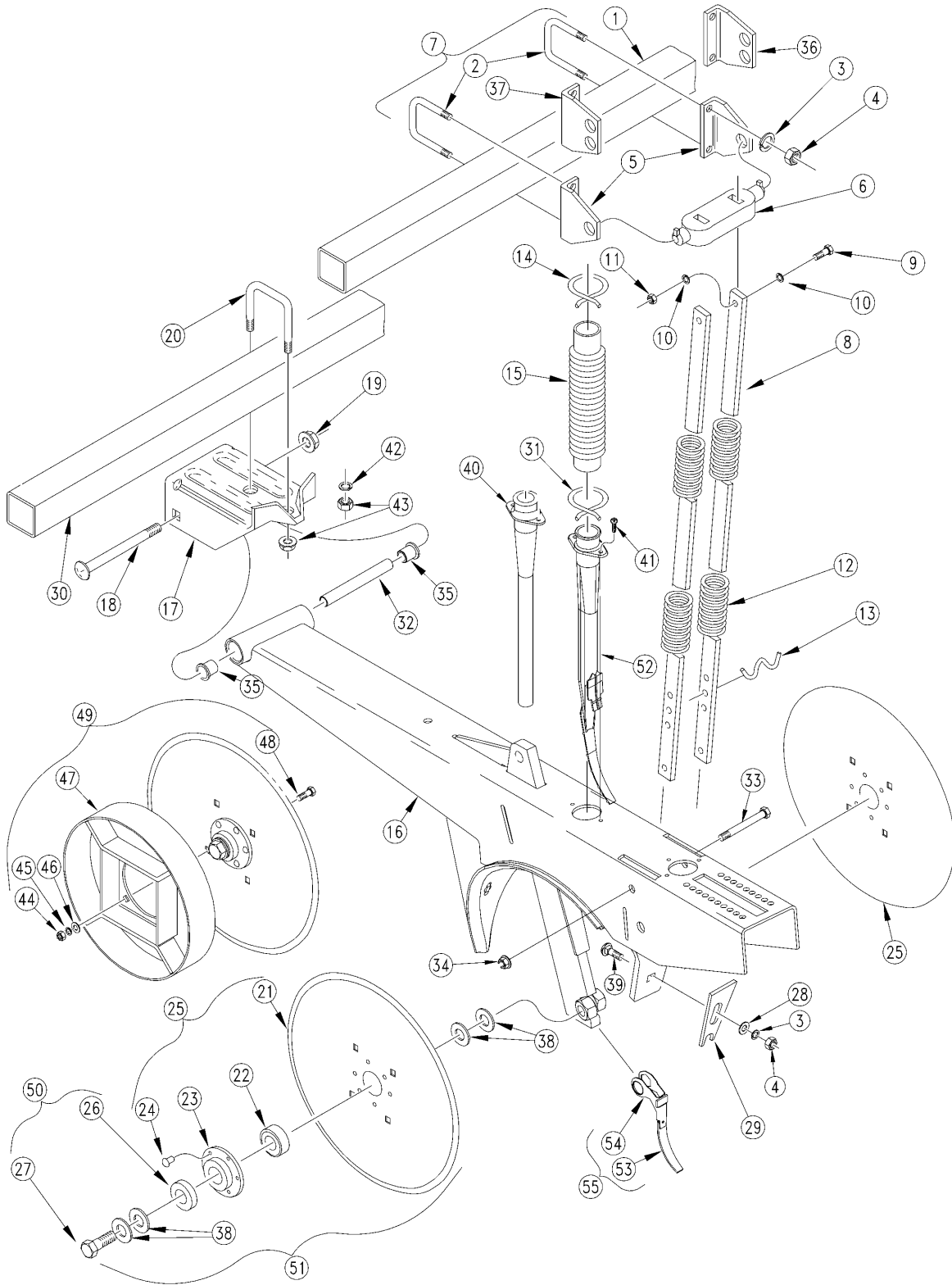
**(Applies to 1200 (1994+), 1500 (1994+), 2000 (1994+) only)**

<b>Ref</b>	<b>Part No.</b>	<b>Part Description</b>	<b>Comments</b>	<b>Revision</b>
	dwg13455	Image No.		
1.	817-346C	PLASTIC FERTILIZER TUBE		3rd rev.
1.	142-701H	RPBY 817-346C		Use existing stock; 2nd rev.
1.	142-520H	RPBY 817-346C		Use existing stock; 1st rev.
2.	801-002C	SCREW HEX SLT10-16X1/2P.THD CT		
3.	800-008C	CLAMP HOSE 1 1/2 NO. 24		
4.	816-239C	SEED HOSE 56 RIBS X 11 LONG	Option 00 Straight Arm Opener	2nd rev.
4.	816-188C	RPBY 816-239C	Option 00 Straight Arm Opener	Use existing stock; 1st rev.
4.	816-007C	SEED HOSE X 59 RIBS 1.5-1.25	Option 10 Parallel Link Opener	
5.	800-016C	UPPER FERT HOSE CLAMP		
6.	133-065D	SML SDS TB REINFORCEMENT RING		

[Table of Contents](#)   [Part Number Index](#)

**Option 00 Straight Arm Opener**

(Applies to 1200 (1994+), 1500 (1994+), 2000 (1994+) only)



16109

**Option 00 Straight Arm Opener**

**(Applies to 1200 (1994+), 1500 (1994+), 2000 (1994+) only)**

<b>Ref</b>	<b>Part No.</b>	<b>Part Description</b>	<b>Comments</b>	<b>Revision</b>
	dwg16109	Image No.		
1.		SPRING ROD MOUNTING TUBE		
2.	806-004C	U-BOLT 3/8-16 X 2 X 2 3/4		
3.	804-013C	WASHER LOCK SPRING 3/8 PLT		
4.	803-014C	NUT HEX 3/8-16 PLT		
5.	121-025D	SPRING ROD CASTING CLIP		
6.	812-012C	CASTING DOUBLE SPRING ROD		
7.	121-011A	SPRING CASTING MTG ASS'Y	Includes items 2 through 6	
8.	121-133D	STRAIGHT ARM OPENER SPRING ROD		
9.	802-004C	HHCS 1/4-20X3/4 GR5		
10.	804-006C	WASHER LOCK SPRING 1/4 PLT		
11.	803-006C	NUT-HEX 1/4-20 PLT		
12.	807-118C	SPRING COMP 13/16IDX.156WX19.5		
13.	107-027D	DISC SPRING BAR WIRE CLIP		
14.	800-009C	CLAMP HOSE 1 5/8 NO. 26		
15.	816-114C	SEED HOSE 30 RIBS X 7 1/2 LG		
16.	121-703H	OPENER WELDMENT - SHORT	For drills manufactured before 5/1/2000 also order part no. 122-202S.	3rd rev.
16.	142-720H	RPBY 142-521H	(S/N 1413D+ for 1200; 8877C+ for 1500 & 6100B+ for 2000)	Use existing stock; rev. 2 is not interchangeable w/rev. 1
16.	142-521H	RPBY 142-854A	(S/N 1412D- for 1200; 8876C- for 1500 & 6009B- for 2000)	1st rev.
17.	142-194D	94 STRAIGHT ARM OPENER MOUNT		
18.	802-121C	RHSNB 1/2-13X5 1/2 GR5		
19.	803-169C	NUT HEX FLG. LOCK 1/2-13 PLT.		
20.	806-066C	U-BOLT 1/2-13X3 1/32X4		
21.	820-187C	DISK BLADE 3MM 13.5 DIA	Used with 107-135S.	
21.	820-256C	FLAT DISK BLADE-4MM THICK	Used with 107-138S.	
22.	188-001V	BEARING AA205DD		
23.	890-466C	HSG RIBB FLG 6BOLT PLT		
24.	800-213C	RIVET,BUTTON HEAD 1/4 X 1/2		
25.	107-138S	DD W/205 BRG-PLD FLNG-4MM		
25.	107-135S	DISK BLADE ASY 3MM 13.5 DIA		
26.	107-111D	DD BRG FLANGE DUST COVER		
27.	802-228C	HHCS 5/8-11X1 1/2 GR5 NYL		
28.	804-012C	WASHER FLAT 3/8 SAE PLT		
29.	107-113D	D.D. SLOTTED SCRAPER		
30.		OPENER MOUNTING TUBE		
31.	800-008C	CLAMP HOSE 1 1/2 NO. 24		
32.	142-198D	STRAIGHT ARM OPENER PIVOT PIPE		
33.	802-427C	HFS 3/8-16X3 3/4 SPTHD		
34.	803-209C	NUT FLANGE LOCK 3/8-16 PLT		
35.	817-084C	PARALLEL ARM PIVOT BUSHING		
36.	121-127D	OFFSET SPRING ROD CLIP R.H.		
37.	121-128D	OFFSET SPRING ROD CLIP L.H.		
38.	804-040C	WASHER MACH 1.19 X .63 X 18GA		
39.	802-015C	RHSNB 3/8-16X1 GR5		
40.	817-133C	PLASTIC OPENER SEED TUBE	Model year 1998-.	
41.	801-002C	SCREW HEX SLT10-16X1/2P:THD CT		
42.	804-015C	WASHER LOCK SPRING 1/2 PLT	Replaced by item 43 part no. 803-037C	
43.	803-037C	NUT HEX WHIZ 1/2-13		2nd rev.
43.	803-020C	NUT HEX 1/2-13 PLT		Use existing stock; 1st rev.
44.	803-008C	NUT HEX 5/16-18 PLT		
45.	804-009C	WASHER LOCK SPRING 5/16 PLT		
46.	804-036C	WASHER FLAT 5/16 SAE PLT		
47.	121-704H	10 1/2 DEPTH BAND WLMT		

**Option 00 Straight Arm Opener (continued)**

---

(Applies to 1200 (1994+), 1500 (1994+), 2000 (1994+) only)

<b>Ref</b>	<b>Part No.</b>	<b>Part Description</b>	<b>Comments</b>	<b>Revision</b>
48.	802-092C	RHSNB 5/16-18X3/4 GR5		
49.	121-705A	10 1/2 DEPTH BAND BUNDLE	Includes items 44-48.	
50.	107-136S	BLADE UPDATE HARDWARE		
51.	107-134A	13 1/2 BLADE UDPATE-1/4 RIVETS		
52.	817-314C	OPENER SEED TUBE, PLASTIC	Model year 1999+.	
53.	816-302C	SEED FLAP, RUBBER, SEED-LOK	Model year 1999+.	
54.	121-164D	HEX SEED FLAP MOUNTING CLIP	Model year 1999+.	
55.	122-242S	SEED FLAP & HEX CLIP, SEEDLOK	Model year 1999+.	



***Option 00 Straight Arm Opener (continued)***

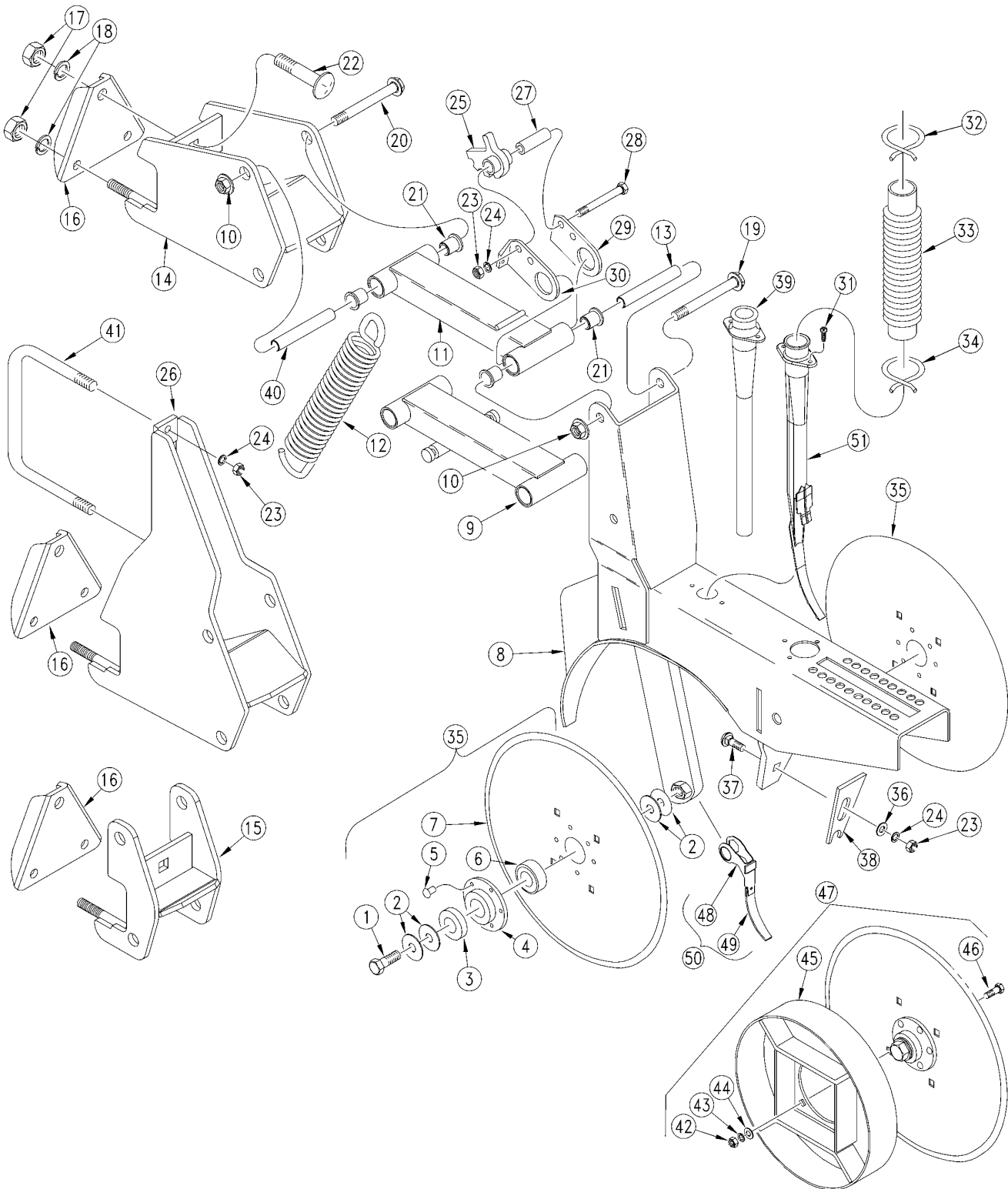
---

(Applies to 1200 (1994+), 1500 (1994+), 2000 (1994+) only)

***This Page Intentionally Left Blank***

### Option 10 Parallel Arm Opener

(Applies to 1200 (1994+), 1500 (1994+), 2000 (1994+) only)



11975

## **Option 10 Parallel Arm Opener**

**(Applies to 1200 (1994+), 1500 (1994+), 2000 (1994+) only)**

<b>Ref</b>	<b>Part No.</b>	<b>Part Description</b>	<b>Comments</b>	<b>Revision</b>
	dwg11975	Image No.		
1.	802-228C	HHCS 5/8-11X1 1/2 GR5 NYL		
2.	804-040C	WASHER MACH 1.19 X .63 X 18GA		
3.	107-111D	DD BRG FLANGE DUST COVER		
4.	890-452C	RPBY 107-112D		2nd rev.
4.	107-112D	BEARING FLANGE-3/16 DIA HOLES		Use existing stock; 1st rev.
5.	800-212C	RIVET,BUTTON HEAD .203 X 9/16		
6.	188-001V	BEARING AA205DD		
7.	107-134A	13 1/2 BLADE UDPATE-1/4 RIVETS		2nd rev.
7.	820-080C	RPBY 107-134A		Use existing stock; 1st rev.
8.	198-409H	PARALLEL LINKAGE OPENER WELD	For drills manufactured before 5/1/2000 also order part no. 122-202S.	2nd rev.
8.	198-092H	RPBY 198-946A		Use existing stock; 1st rev.
9.	198-090H	BOTTOM PARALLEL ARM WELDMENT		
10.	803-169C	NUT HEX FLG. LOCK 1/2-13 PLT.		
11.	198-089H	TOP PARALLEL ARM WELDMENT		
12.	807-116C	SPRING EXT 1 5/8OD X 6.6X.177		
13.	198-139D	REAR PARALLEL ARM PIVOT TUBE		
14.	198-086H	3PT PAR ARM OPENER REAR MNT		
15.	198-085H	3PT PAR ARM OPENER FRNT MNT		
16.	198-179D	PARALLEL OPENER MOUNT PLATE		
17.	803-021C	NUT HEX 5/8-11 PLT		
18.	804-022C	WASHER LOCK SPRING 5/8 PLT		
19.	802-648C	HFS 1/2-13 X 5 1/4		
20.	802-420C	HFS 1/2-13 X 5 1/2		
21.	817-084C	PARALLEL ARM PIVOT BUSHING		
22.	802-415C	RHSNB 5/8-11 X 4 1/2 GR5		
23.	803-014C	NUT HEX 3/8-16 PLT		
24.	804-013C	WASHER LOCK SPRING 3/8 PLT		
25.	812-204C	CASTING SPRING ADJUST		
26.	198-087H	3PT PAR ARM OPNER EXTENDED MNT		
27.	198-134D	SPRING ADJUST PIVOT TUBE		
28.	802-147C	HHCS 3/8-16X3 1/2 GR5		
29.	198-128D	SPRING ADJUST PLATE RH		
30.	198-127D	SPRING ADJUST PLATE LH		
31.	801-002C	SCREW HEX SLT10-16X1/2P.THD CT		
32.	800-009C	CLAMP HOSE 1 5/8 NO. 26		
33.	816-002C	RUBBER GRAIN TUBE		
34.	800-008C	CLAMP HOSE 1 1/2 NO. 24		
35.	107-138S	DD W/205 BRG-PLD FLNG-4MM		
35.	107-133S	RPBY 107-135S		2nd rev.
35.	107-130S	RPBY 107-133S		Use existing stock; 1st rev.
36.	804-012C	WASHER FLAT 3/8 SAE PLT		
37.	802-015C	RHSNB 3/8-16X1 GR5		
38.	107-113D	D.D. SLOTTED SCRAPER		
39.	817-133C	PLASTIC OPENER SEED TUBE	Model year 1998-	
40.	198-140D	FRONT PARALLEL ARM PIVOT TUBE		
41.	806-051C	U-BOLT 3/8-16 X 6 1/32 X 7		
42.	803-008C	NUT HEX 5/16-18 PLT		
43.	804-009C	WASHER LOCK SPRING 5/16 PLT		
44.	804-036C	WASHER FLAT 5/16 SAE PLT		
45.	121-704H	10 1/2 DEPTH BAND WLMT		
46.	802-029C	HHCS 7/16-14X1 1/2 GR5		
47.	121-705A	10 1/2 DEPTH BAND BUNDLE		
48.	121-164D	HEX SEED FLAP MOUNTING CLIP	Model year 1999+.	
49.	816-302C	SEED FLAP, RUBBER, SEED-LOK	Model year 1999+.	
50.	122-242S	SEED FLAP & HEX CLIP, SEEDLOK	Model year 1999+.	

**Option 10 Parallel Arm Opener (continued)**

---

(Applies to 1200 (1994+), 1500 (1994+), 2000 (1994+) only)

<b>Ref</b>	<b>Part No.</b>	<b>Part Description</b>	<b>Comments</b>	<b>Revision</b>
51.	817-314C	OPENER SEED TUBE, PLASTIC	Model year 1999+.	

***Option 10 Parallel Arm Opener (continued)***

---

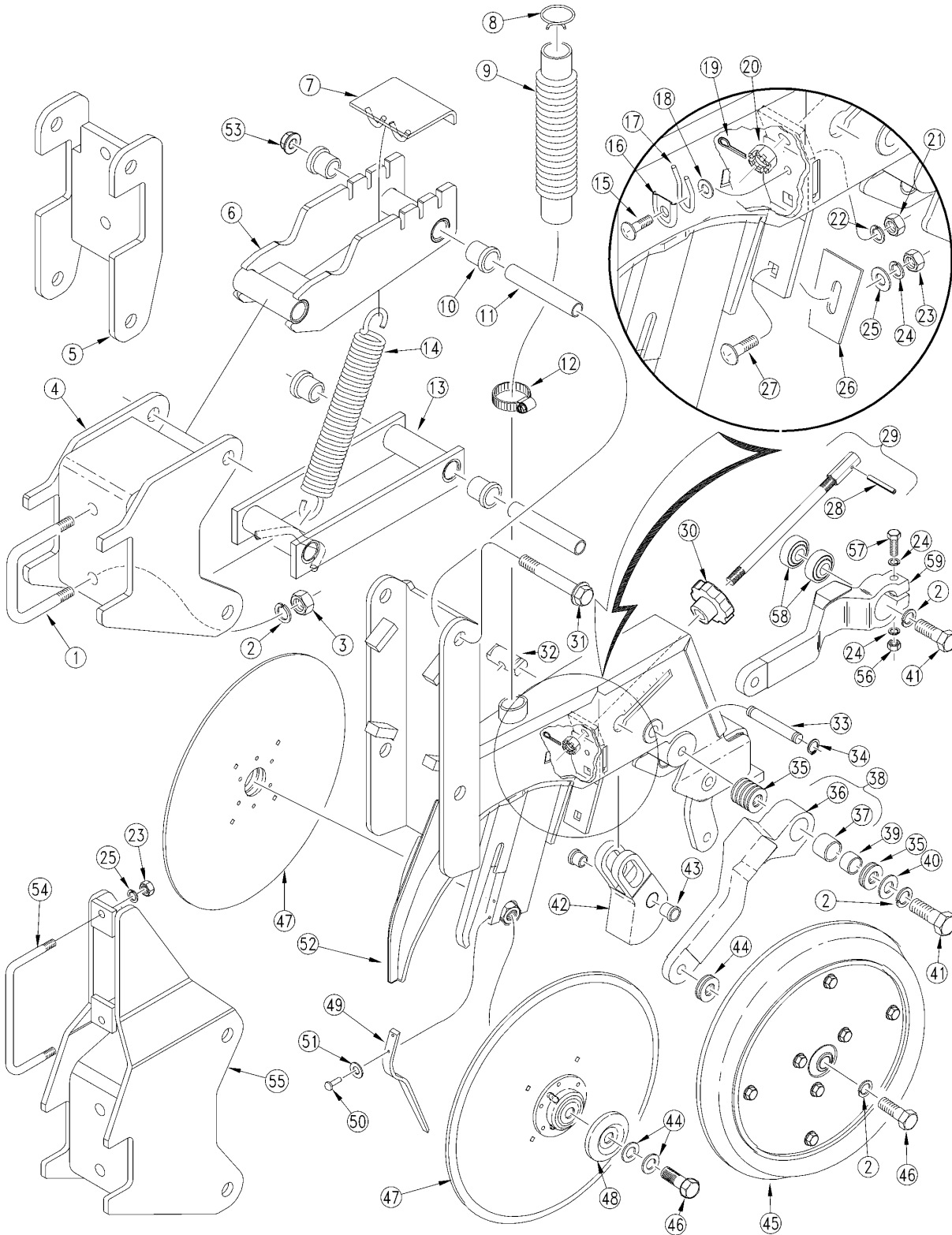
(Applies to 1200 (1994+), 1500 (1994+), 2000 (1994+) only)

***This Page Intentionally Left Blank***

# Table of Contents Part Number Index

## Option 20 Series Opener (Aug. 31, 1997-)

(Applies to 1200 (1994+), 1500 (1994+), 2000 (1994+) only)



12176

**Option 20 Series Opener (Aug. 31, 1997-)**

**(Applies to 1200 (1994+), 1500 (1994+), 2000 (1994+) only)**

Ref	Part No.	Part Description	Comments	Revision
	dwg12176	Image No.		
1.	806-110C	U-BOLT 5/8-11 X 3 1/32 X 4 1/2		
2.	804-022C	WASHER LOCK SPRING 5/8 PLT		
3.	803-021C	NUT HEX 5/8-11 PLT		
4.	198-128H	REAR MOUNT DC OPENER		
5.	198-127H	FRONT MOUNT DC OPENER		
6.	198-230H	TOP DC ARM WELDMENT		
7.	198-235H	SPRING ADJUSTMENT WELDMENT		
8.	800-009C	CLAMP HOSE 1 5/8 NO. 26		
9.	816-178C	RPBY 816-002C		
10.	817-084C	PARALLEL ARM PIVOT BUSHING		
11.	198-140D	FRONT PARALLEL ARM PIVOT TUBE		
12.	800-103C	RPBY 800-123C		
13.	198-231H	BOTTOM DC ARM WELDMENT		
14.	807-076C	SPRING EXT 1.575O.D.X.225 WIRE		
15.	801-018C	SCREW RD HD 1/4-20 X 5/8		
16.	122-065D	TENSION SPRING RETAINER		
17.	807-095C	DC OPENER ADJ SPRING		
18.	804-007C	WASHER FLAT 1/4 SAE PLT		
19.	805-064C	PIN COTTER 7/64 X 1 LONG		
20.	803-069C	NUT HEX SLOTTED 7/16-14 PLT		
21.	803-006C	NUT-HEX 1/4-20 PLT		
22.	804-006C	WASHER LOCK SPRING 1/4 PLT		
23.	803-014C	NUT HEX 3/8-16 PLT		
24.	804-013C	WASHER LOCK SPRING 3/8 PLT		
25.	804-012C	WASHER FLAT 3/8 SAE PLT		
26.	198-074D	OPENER SCRAPER		
27.	802-015C	RHSNB 3/8-16X1 GR5		
28.	805-073C	PIN ROLL 5/32 X 1		
29.	198-059S	SCREW ADJ ROD 7/16-14X9 3/16		
30.	817-021C	KNOB P.W. ADJUSTMENT		
31.	802-419C	HFS 1/2-13 X 5 3/4		
32.	198-070D	SLIDE TRUNION		
33.	198-069D	CAM PIN		
34.	800-118C	SNAP RING EXT 5/8 .050 T		
35.	804-082C	WASHER MACH 1 3/4 X 1 X 18 GA		
36.	198-095D	RPBY 198-182D	April 1996-. Not available. Order update kit 198-403A.	
37.	817-092C	DEPTH CONTROL BUSHING	April 1996-. Not available. Order update kit 198-403A.	
38.	198-074S	RPBY 198-182D	April 1996-. Not available. Order update kit 198-403A.	
39.	198-071D	ARM BUSHING	April 1996-. Not available. Order update kit 198-403A.	
40.	804-019C	WASHER FLAT 5/8 USS PLT	April 1996-. Not available. Order update kit 198-403A.	
41.	802-366C	HHCS 5/8-11X2 1/2 GR5 NYL		
42.	198-096D	DC CAM		
43.	817-083C	PRESS WHEEL ARM PIVOT BUSHING		
44.	804-040C	WASHER MACH 1.19 X .63 X 18GA		
45.	198-057S	2X13 DEPTH WHEEL ASSY		
46.	802-228C	HHCS 5/8-11X1 1/2 GR5 NYL		
47.	107-138S	DD W/205 BRG-PLD FLNG-4MM		
47.	107-133S	RPBY 107-135S		Rev. 2 is not interchangeable w/rev. 1
47.	107-130S	RPBY 107-133S		1st rev.
48.	107-111D	DD BRG FLANGE DUST COVER		
49.	817-059C	PLASTIC SEED GUIDE		

[Table of Contents](#)   [Part Number Index](#)

**Option 20 Series Opener (Aug. 31, 1997-) (continued)**

---

(Applies to 1200 (1994+), 1500 (1994+), 2000 (1994+) only)

<b>Ref</b>	<b>Part No.</b>	<b>Part Description</b>	<b>Comments</b>	<b>Revision</b>
50.	801-056C	SCREW U-TYPE DRIVE #4 X 1/2		
51.	804-079C	WASHER FLAT #4 SAE PLT		
52.	198-233H	RPBY 198-610A		
53.	803-169C	NUT HEX FLG. LOCK 1/2-13 PLT.		
54.	806-051C	U-BOLT 3/8-16 X 6 1/32 X 7		
55.	198-229H	EXTENDED REAR DC OPNR MOUNT		
56.	803-274C	NUT HEX 3/8-24 GR8 BLK		
57.	802-605C	HHCS 3/8-24X2 1/4 GR8 BLK		
58.	822-095C	BRG INS .63IDX1.57OD DBL LIP		
59.	198-182D	RPBY 198-809S		



***Option 20 Series Opener (Aug. 31, 1997-) (continued)***

---

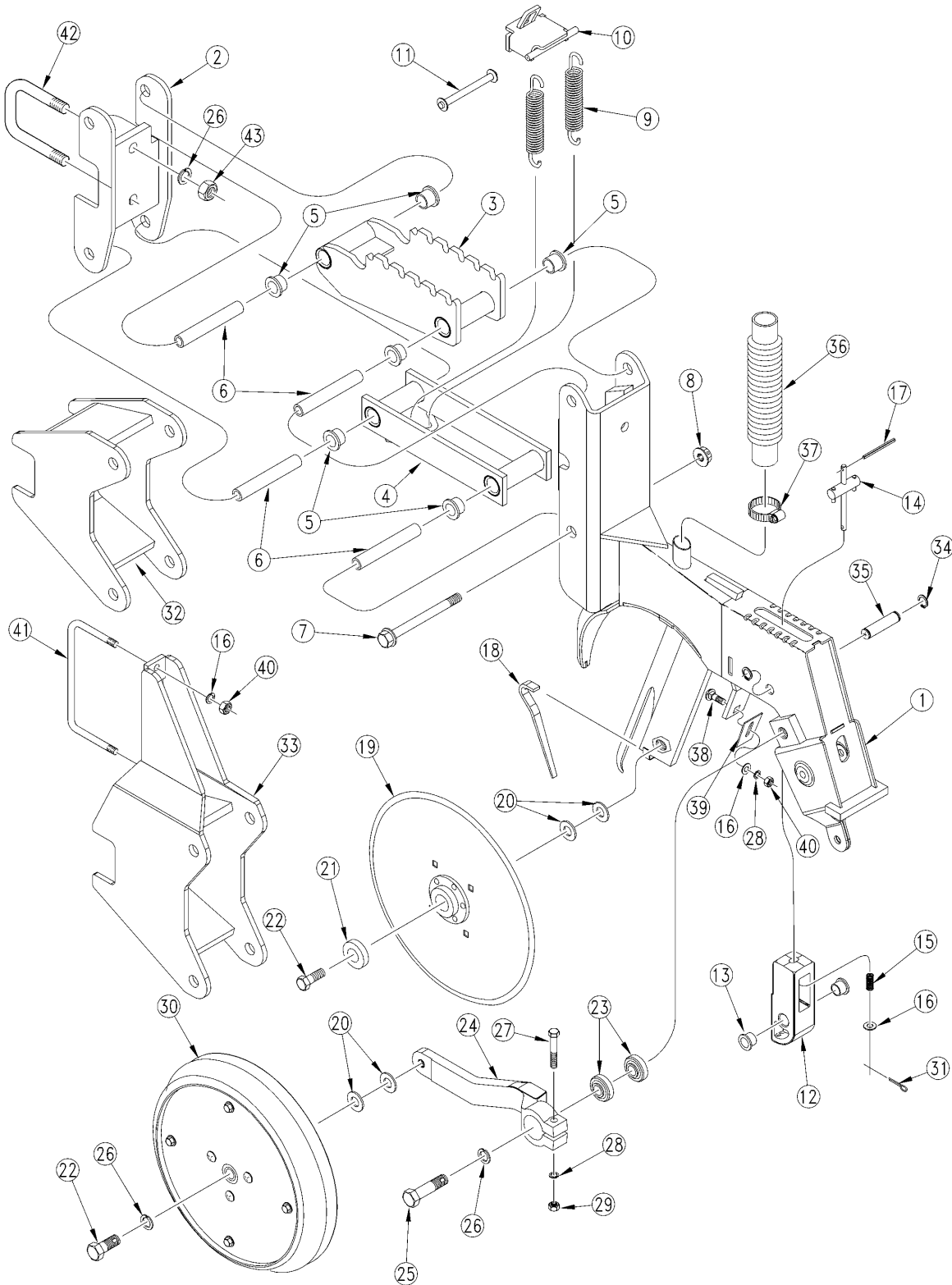
(Applies to 1200 (1994+), 1500 (1994+), 2000 (1994+) only)

***This Page Intentionally Left Blank***

# Table of Contents Part Number Index

## Option 20 Series Opener (Sept. 1, 1997+)

(Applies to 1200 (1994+), 1500 (1994+), 2000 (1994+) only)



16627

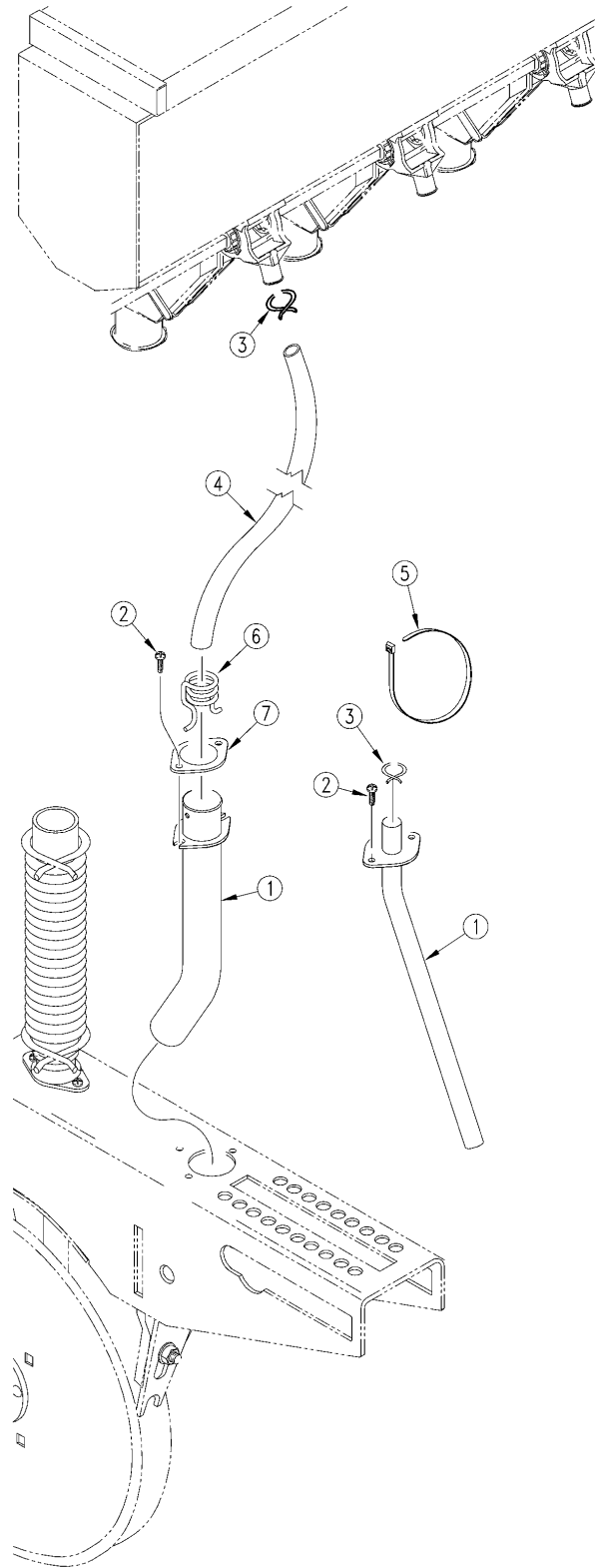
**Option 20 Series Opener (Sept. 1, 1997+)**

**(Applies to 1200 (1994+), 1500 (1994+), 2000 (1994+) only)**

<b>Ref</b>	<b>Part No.</b>	<b>Part Description</b>	<b>Comments</b>	<b>Revision</b>
	dwg16627	Image No.		
1.	198-422H	20 SER OPENER BODY WLMT		
2.	198-127H	FRONT MOUNT DC OPENER		
3.	198-424H	20 SER OPNR UPPER PAR ARM WLMT		
4.	198-425H	20 SER OPNR LOWER PAR ARM WLMT		
5.	817-084C	PARALLEL ARM PIVOT BUSHING		
6.	198-140D	FRONT PARALLEL ARM PIVOT TUBE		
7.	802-419C	HFS 1/2-13 X 5 3/4		
8.	803-169C	NUT HEX FLG. LOCK 1/2-13 PLT.		
9.	807-076C	SPRING EXT 1.575O.D.X.225 WIRE		
10.	198-426H	20 SER OPNR SPRING MNT WLMT		
11.	805-257C	PIN OPENER SPRING 4 1/6 USABLE		
12.	198-201D	20 SER OPNR PW CAM		
13.	817-083C	PRESS WHEEL ARM PIVOT BUSHING		
14.	198-497H	RPBY 812-302C		
15.	807-172C	SPRING COMP 5/8 OD X 1 3/4 LG		
16.	804-012C	WASHER FLAT 3/8 SAE PLT		
17.	805-062C	PIN ROLL 3/16 X 2 1/2 LG. PTL.		
18.	817-315C	20 SER OPNR PLASTIC SEED GUIDE		
19.	107-138S	DD W/205 BRG-PLD FLNG-4MM		
19.	107-133S	RPBY 107-135S		
20.	804-040C	WASHER MACH 1.19 X .63 X 18GA		
21.	107-111D	DD BRG FLANGE DUST COVER		
22.	802-228C	HHCS 5/8-11X1 1/2 GR5 NYL		
23.	822-095C	BRG INS .63IDX1.57OD DBL LIP		
24.	198-182D	RPBY 198-809S		
25.	802-366C	HHCS 5/8-11X2 1/2 GR5 NYL		
26.	804-022C	WASHER LOCK SPRING 5/8 PLT		
27.	802-605C	HHCS 3/8-24X2 1/4 GR8 BLK		
28.	804-013C	WASHER LOCK SPRING 3/8 PLT		
29.	803-274C	NUT HEX 3/8-24 GR8 BLK		
30.	198-057S	2X13 DEPTH WHEEL ASSY		
31.	805-067C	PIN COTTER 1/8 X 3/4		
32.	198-229H	EXTENDED REAR DC OPNR MOUNT		
33.	198-128H	REAR MOUNT DC OPENER		
34.	800-118C	SNAP RING EXT 5/8 .050 T		
35.	198-202D	20 SER OPNR CAM PIN		
36.	816-002C	RUBBER GRAIN TUBE		
37.	800-103C	RPBY 800-123C		
38.	802-015C	RHSNB 3/8-16X1 GR5		
39.	198-074D	OPENER SCRAPER		
40.	803-014C	NUT HEX 3/8-16 PLT		
41.	806-051C	U-BOLT 3/8-16 X 6 1/32 X 7		
42.	806-110C	U-BOLT 5/8-11 X 3 1/32 X 4 1/2		
43.	803-021C	NUT HEX 5/8-11 PLT		

## Small Seeds Hose Retainer

(Applies to 1200 (1994+), 1500 (1994+), 2000 (1994+) only)



16310

## ***Small Seeds Hose Retainer***

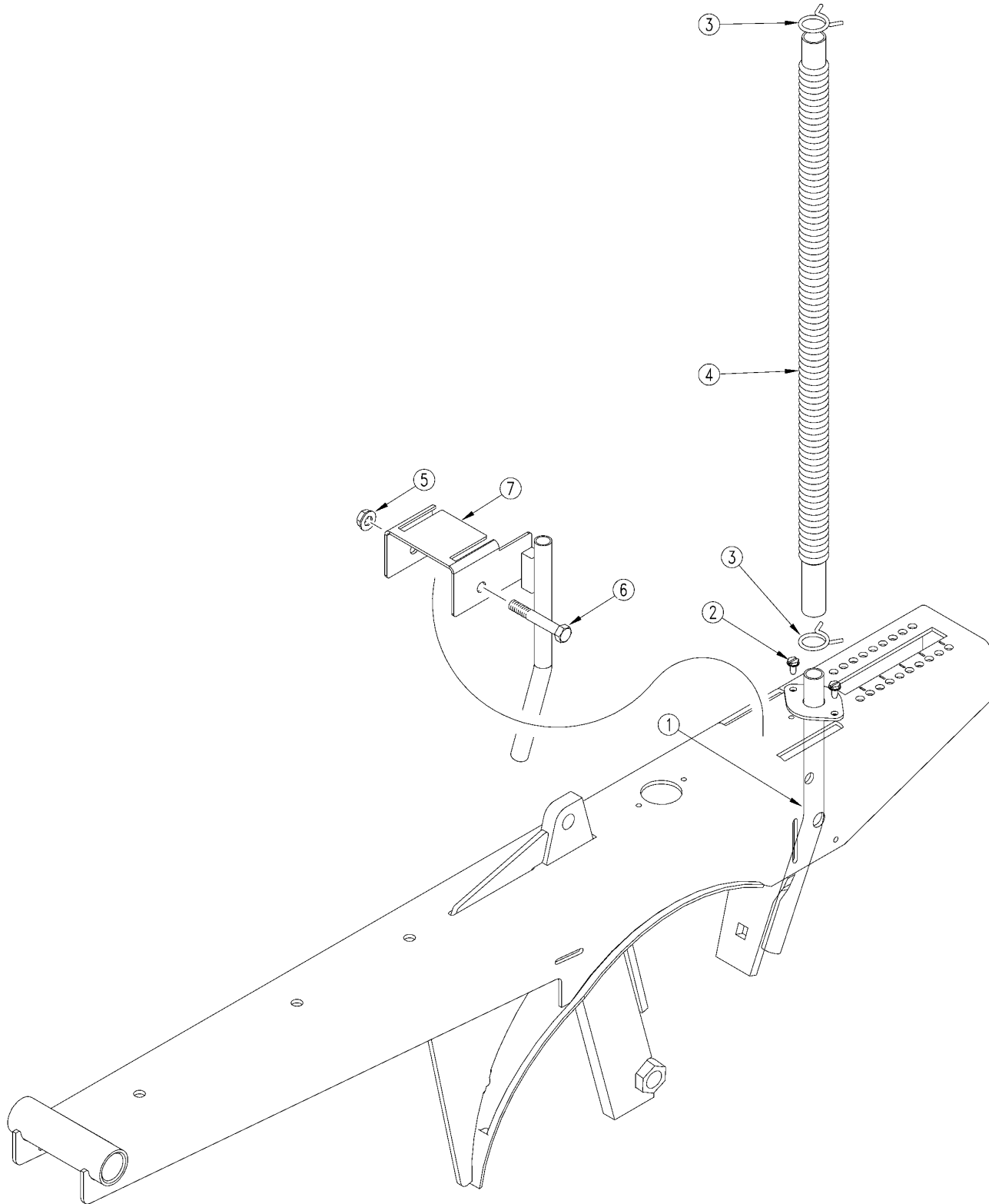
---

**(Applies to 1200 (1994+), 1500 (1994+), 2000 (1994+) only)**

<b>Ref</b>	<b>Part No.</b>	<b>Part Description</b>	<b>Comments</b>	<b>Revision</b>
	dwg	Image No.		
1.	817-346C	PLASTIC FERTILIZER TUBE		2nd Revision.
1.	123-939H	SMALL SEEDS TUBE WELDMENT		1st Revision.
2.	801-002C	SCREW HEX SLT10-16X1/2P.TH D CT		
3.	800-029C	SINGLE WIRE HOSE CLAMP #14		
4.	123-232D	SML SDS HOSE 5/8 ID X 36LONG	Option 00 Straight Arm Opener.	
4.	123-521D	GRASS SEED HOSE, 40IN.	Option 10 Parallel Link Opener.	
4.	123-203D	SML SDS HOSE 5/8 ID X 56 LONG	Option 20 Depth Controlling Opener.	
4.	816-358C	SGS HOSE 122 RIBS	Used with 123-939H.	
5.	800-060C	CABLE TIE .19X14.25 3DIA 50LB		
6.	800-304C	SGS TUBE CLAMP		
7.	133-065D	SML SDS TB REINFORCEMENT RING		

## Small Seeds Hose Retainer With Fertilizer

(Applies to 1200 (1994+), 1500 (1994+), 2000 (1994+) only)



19325

***Small Seeds Hose Retainer With Fertilizer***

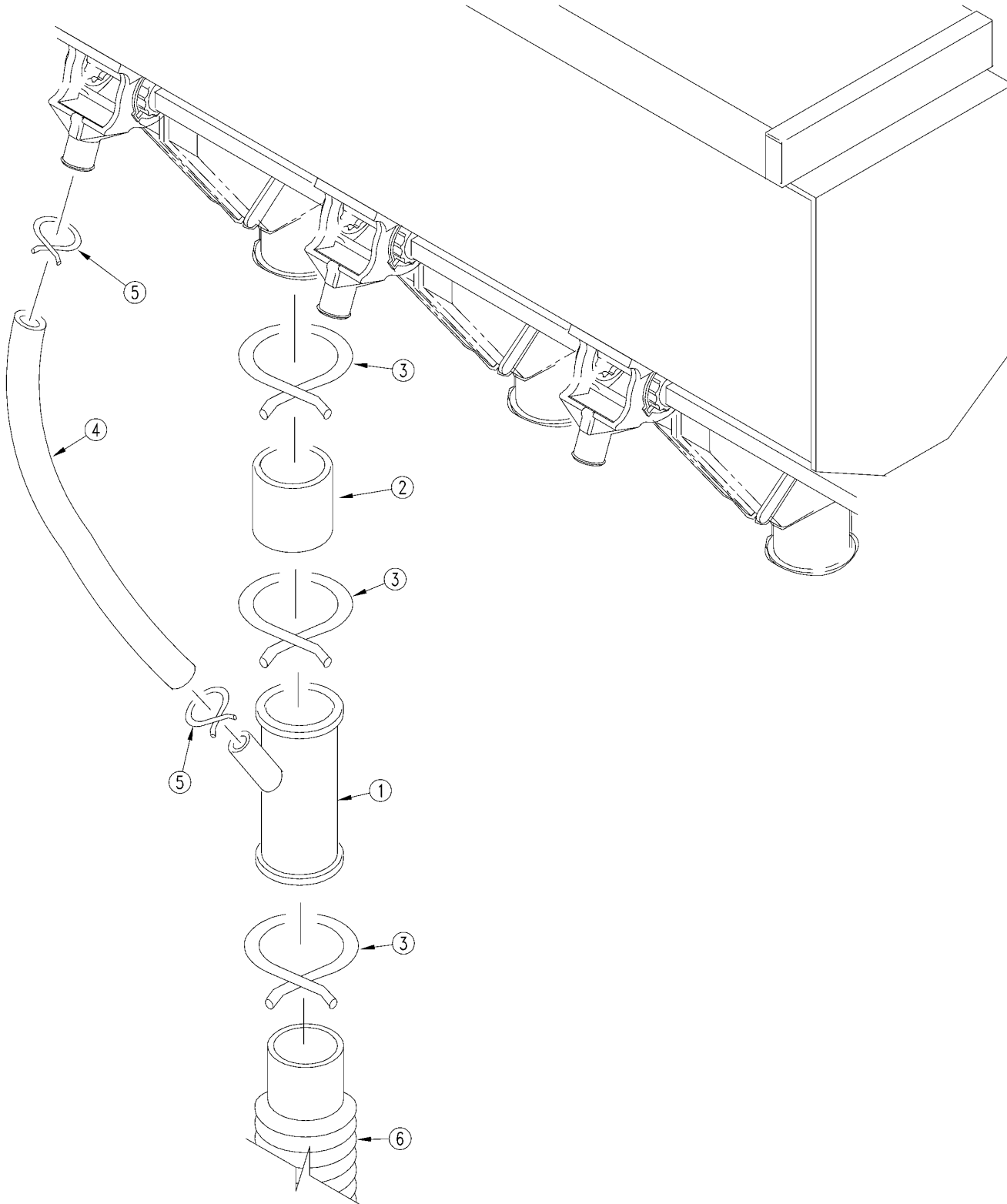
---

(Applies to 1200 (1994+), 1500 (1994+), 2000 (1994+) only)

<b>Ref</b>	<b>Part No.</b>	<b>Part Description</b>	<b>Comments</b>	<b>Revision</b>
	dwg19325	Image No.		
1.	123-939H	SMALL SEEDS TUBE WELDMENT		
2.	801-002C	SCREW HEX SLT10-16X1/2P.TH D CT		
3.	800-321C	HOSE CLAMP NO.12 3/4 ID		
4.	816-513C	SGS HOSE 85 RIBS		
5.	803-209C	NUT FLANGE LOCK 3/8-16 PLT	With Fertilizer Option Only	
6.	802-427C	HFS 3/8-16X3 3/4 SPTH D	With Fertilizer Option Only	
7.	133-128H	SGS SIDE DELIVERY TUBE	With Fertilizer Option Only	

## Small Seeds Y-Tube Drop

(Applies to 1200 (1994+), 1500 (1994+), 2000 (1994+) only)



12194



## ***Small Seeds Y-Tube Drop***

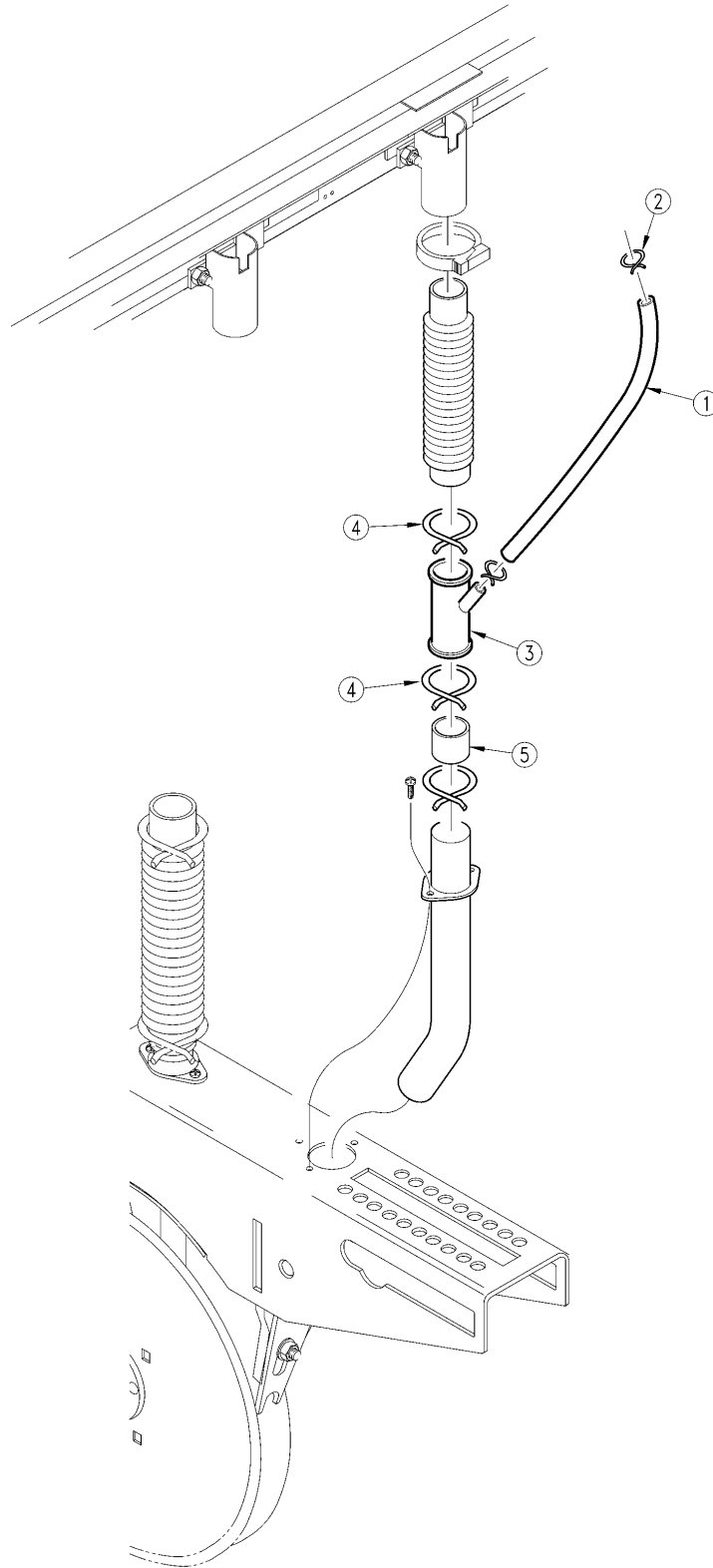
---

**(Applies to 1200 (1994+), 1500 (1994+), 2000 (1994+) only)**

<b>Ref</b>	<b>Part No.</b>	<b>Part Description</b>	<b>Comments</b>	<b>Revision</b>
	dwg12194	Image No.		
1.	817-052C	GRASS SEED DROP TUBE		
2.	123-231D	GRASS SEED DROP TUBE CONN HOSE		
3.	800-009C	CLAMP HOSE 1 5/8 NO. 26		
4.	123-522D	GRASS SEED HOSE, 24IN.		
5.	800-029C	SINGLE WIRE HOSE CLAMP #14		
6.	816-114C	SEED HOSE 30 RIBS X 7 1/2 LG	Parallel Link Openers and Depth Controlling Openers	
6.	816-150C	SEED HOSE 22 RIBS 1.5-1.25	Straight Arm Openers	

## Small Seeds Y-Tube Drop With Fertilizer

(Applies to 1200 (1994+), 1500 (1994+), 2000 (1994+) only)



13743

***Small Seeds Y-Tube Drop With Fertilizer***

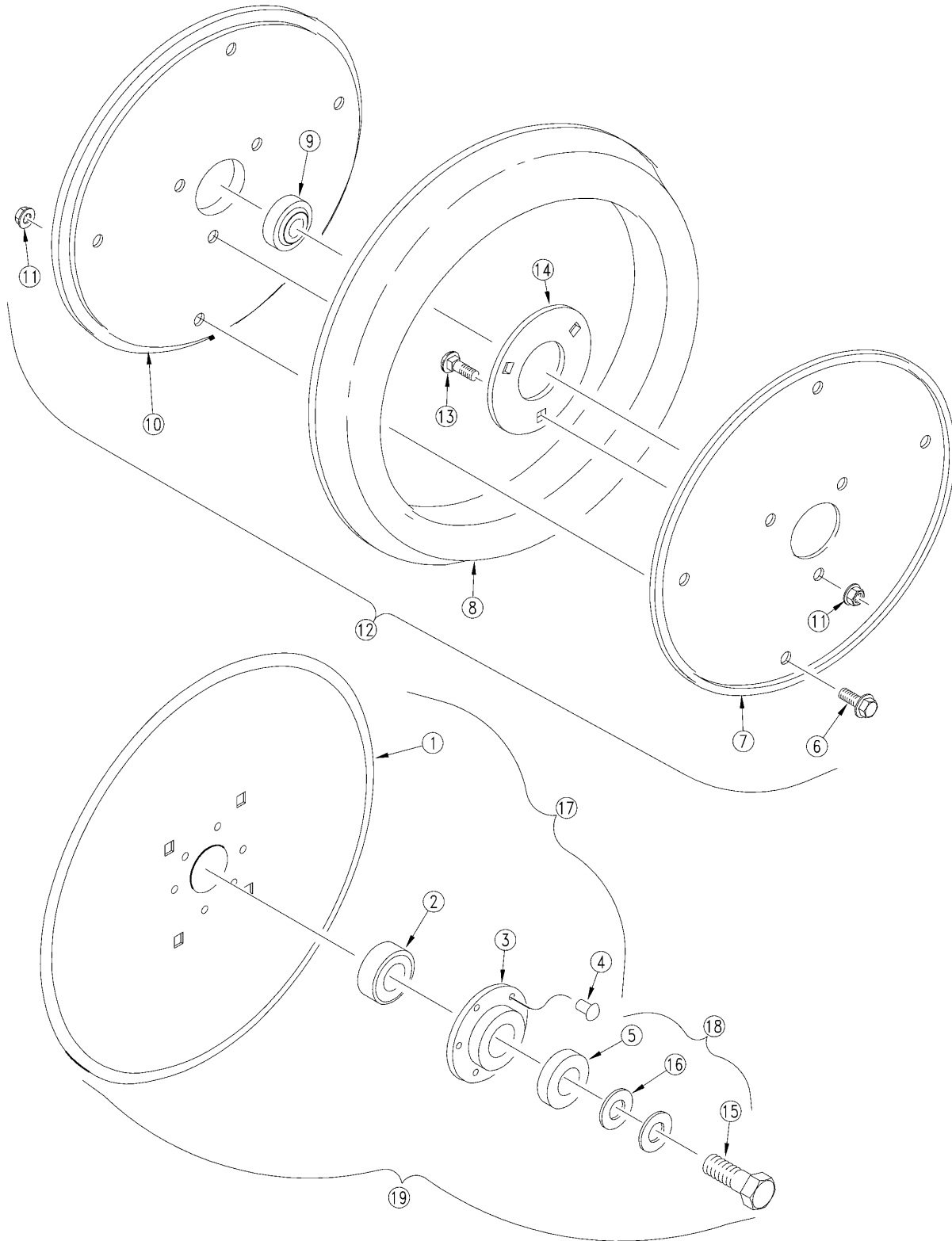
---

(Applies to 1200 (1994+), 1500 (1994+), 2000 (1994+) only)

<b>Ref</b>	<b>Part No.</b>	<b>Part Description</b>	<b>Comments</b>	<b>Revision</b>
	dwg13743	Image No.		
1.	123-521D	GRASS SEED HOSE, 40IN.	Option 00	
1.	123-306D	EWNT Y GRASS SEED HOSE	Option 10	
2.	800-029C	SINGLE WIRE HOSE CLAMP #14		
3.	817-127C	1 1/4 DIA PLAST OPNR DROP TUBE		
4.	800-008C	CLAMP HOSE 1 1/2 NO. 24		
5.	123-299D	RPBY 816-284C		

## Wiper Wheel

(Applies to 1200 (1994+), 1500 (1994+), 2000 (1994+) only)



11205

***Wiper Wheel***

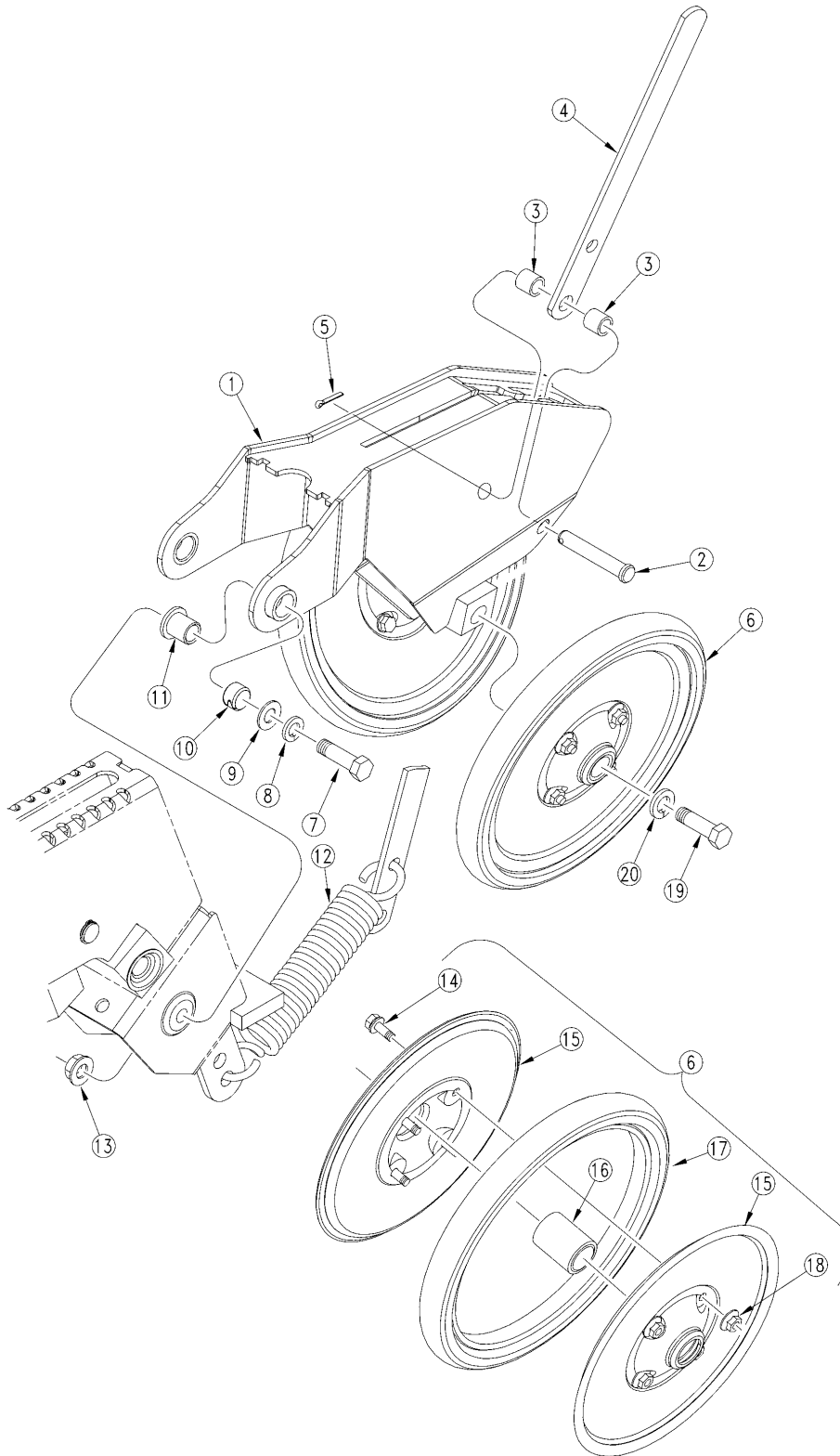
**(Applies to 1200 (1994+), 1500 (1994+), 2000 (1994+) only)**

<b>Ref</b>	<b>Part No.</b>	<b>Part Description</b>	<b>Comments</b>	<b>Revision</b>
	dwg11205	Image No.		
1.	820-155C	RPBY 820-187C		Rev. 2 is not interchangeable w/rev. 1
1.	820-080C	RPBY 107-134A	No longer available. Update with 107-133S, item 17.	1st rev.
2.	188-001V	BEARING AA205DD		
3.	890-466C	HSG RIBB FLG 6BOLT PLT	Use with 820-155C (1/4" rivets").	Rev. 4 is not interchangeable w/rev. 3
3.	107-112D	BEARING FLANGE-3/16 DIA HOLES	Use with 820-080C (3/16" rivets).	3rd rev.
3.	890-452C	RPBY 107-112D		2nd rev.
3.	107-110D	RPBY 107-112D		1st rev.
4.	800-213C	RIVET,BUTTON HEAD 1/4 X 1/2	Use with 820-155C.	Rev. 3 is not interchangeable w/rev. 2
4.	800-212C	RIVET,BUTTON HEAD .203 X 9/16	Use with 820-080C.	2nd rev.
4.	800-010C	RPBY 800-212C		1st rev.
5.	107-111D	DD BRG FLANGE DUST COVER		
6.	802-352C	HFSS 5/16-18X1/2 GR5		
7.	814-082C	2X13 D.W. OUTER RIM HALF		
8.	814-083C	2X13 SIDE DEPTH TIRE		
9.	822-095C	BRG INS .63IDX1.57OD DBL LIP		
10.	814-081C	2X13 D.W. INNER RIM HALF		
11.	803-043C	NUT HEX WHIZ 5/16-18 PLT		
12.	198-057S	2X13 DEPTH WHEEL ASSY		
13.	802-092C	RHSNB 5/16-18X3/4 GR5		
14.	198-183D	20 SER SIDE DEPTH WL STIFF PLT		
15.	802-228C	HHCS 5/8-11X1 1/2 GR5 NYL		
16.	804-040C	WASHER MACH 1.19 X .63 X 18GA		
17.	107-133S	RPBY 107-135S	Includes items 1 thru 4.	Rev. 2 is not interchangeable w/rev.1
17.	107-130S	RPBY 107-133S		1st rev.
18.	107-136S	BLADE UPDATE HARDWARE	Includes items 5, 15 & 16.	
19.	107-134A	13 1/2 BLADE UDPATE-1/4 RIVETS	Includes items 17 & 18.	

[Table of Contents](#)   [Part Number Index](#)

**1" x 10" Double "V" Press Wheel (10/1/2000+)**

(Applies to 1200 (1994+), 1500 (1994+), 2000 (1994+) only)



19901

**1" x 10" Double "V" Press Wheel (10/1/2000+)**

---

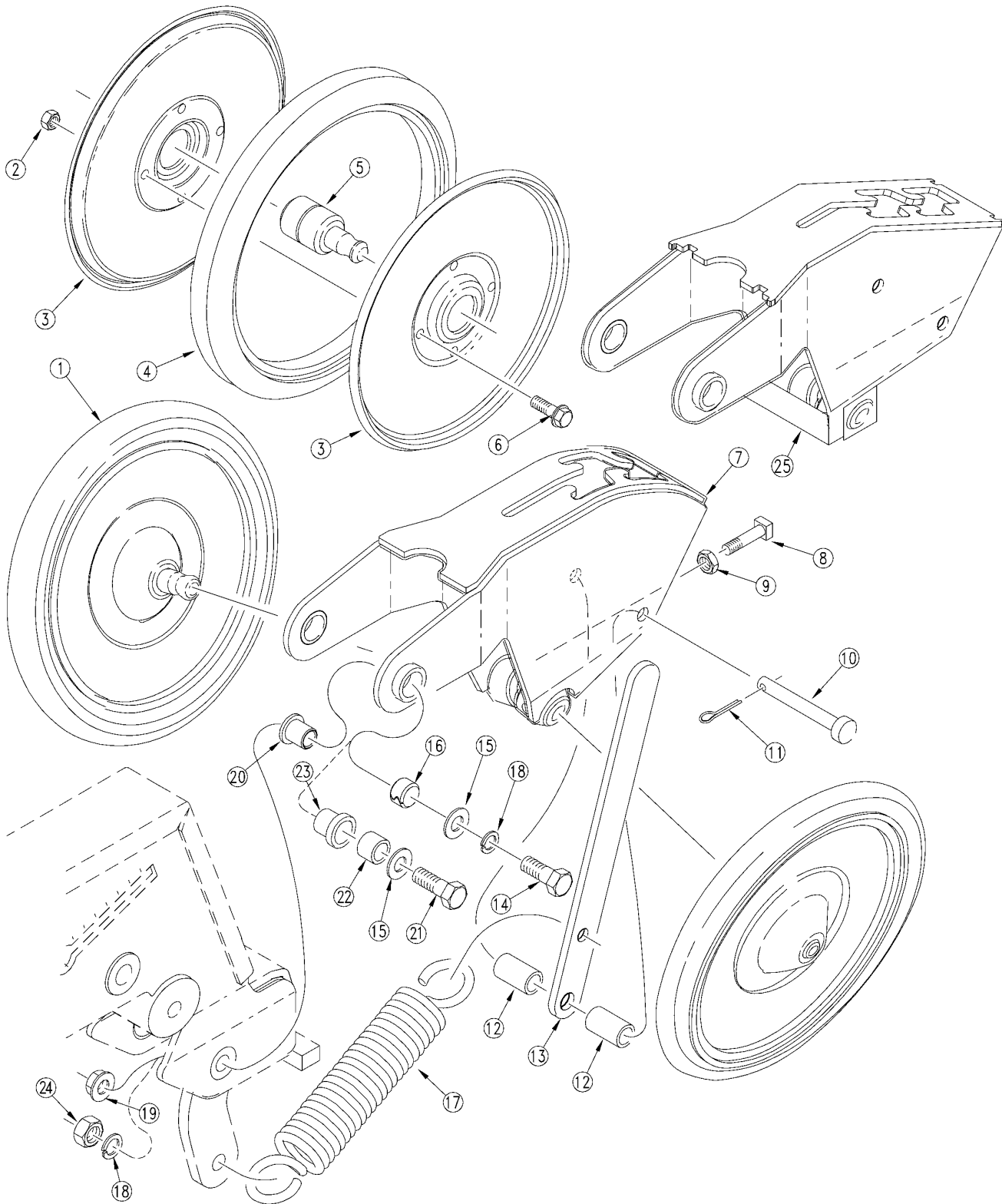
(Applies to 1200 (1994+), 1500 (1994+), 2000 (1994+) only)

Ref	Part No.	Part Description	Comments	Revision
	dwg19901	Image No.		
1.	198-821H	20 SERIES 1X10 PRESS WHEEL MNT		
2.	805-166C	PIN CLEVIS 7/16 X 3 PLT		
3.	199-015D	PW HANDLE SPACER TUBE		
4.	199-011D	118-433DG HANDLE		
5.	805-067C	PIN COTTER 1/8 X 3/4		
6.	814-194C	1X10 PRESS WHEEL ASSEMBLY		
7.	802-029C	HHCS 7/16-14X1 1/2 GR5		
8.	804-014C	WASHER LOCK 7/16 PLT		
9.	804-041C	WASHER FLAT 7/16 SAE PLT		
10.	890-598C	BUSHING 3/4OD X 5/8ID X 1/2 LG		
11.	890-524C	20 SER PW ARM PIVOT SPACER TB		
12.	807-088C	SPRING EXT 1 5/8 OD X 8.2		
13.	803-229C	NUT HEX FLANGE LOC 7/16-14 PLT		
14.	802-196C	HFSS 1/4-20X5/8 GR5		
15.	814-192C	1X10 PRESS WHEEL RIM HALF		
16.	822-170C	BRG .63ID PRESS WHL ASY		
17.	814-085C	1X10 PRESS WHEEL TIRE		
18.	803-088C	NUT HEX LOCK 1/4-20 FLG		
19.	802-058C	HHCS 5/8-11X2 1/2 GR5		
20.	804-022C	WASHER LOCK SPRING 5/8 PLT		

[Table of Contents](#)   [Part Number Index](#)

**1" x 10" Double "V" Press Wheel (9/30/2000-)**

(Applies to 1200 (1994+), 1500 (1994+), 2000 (1994+) only)



11184



**1" x 10" Double "V" Press Wheel (9/30/2000-)**

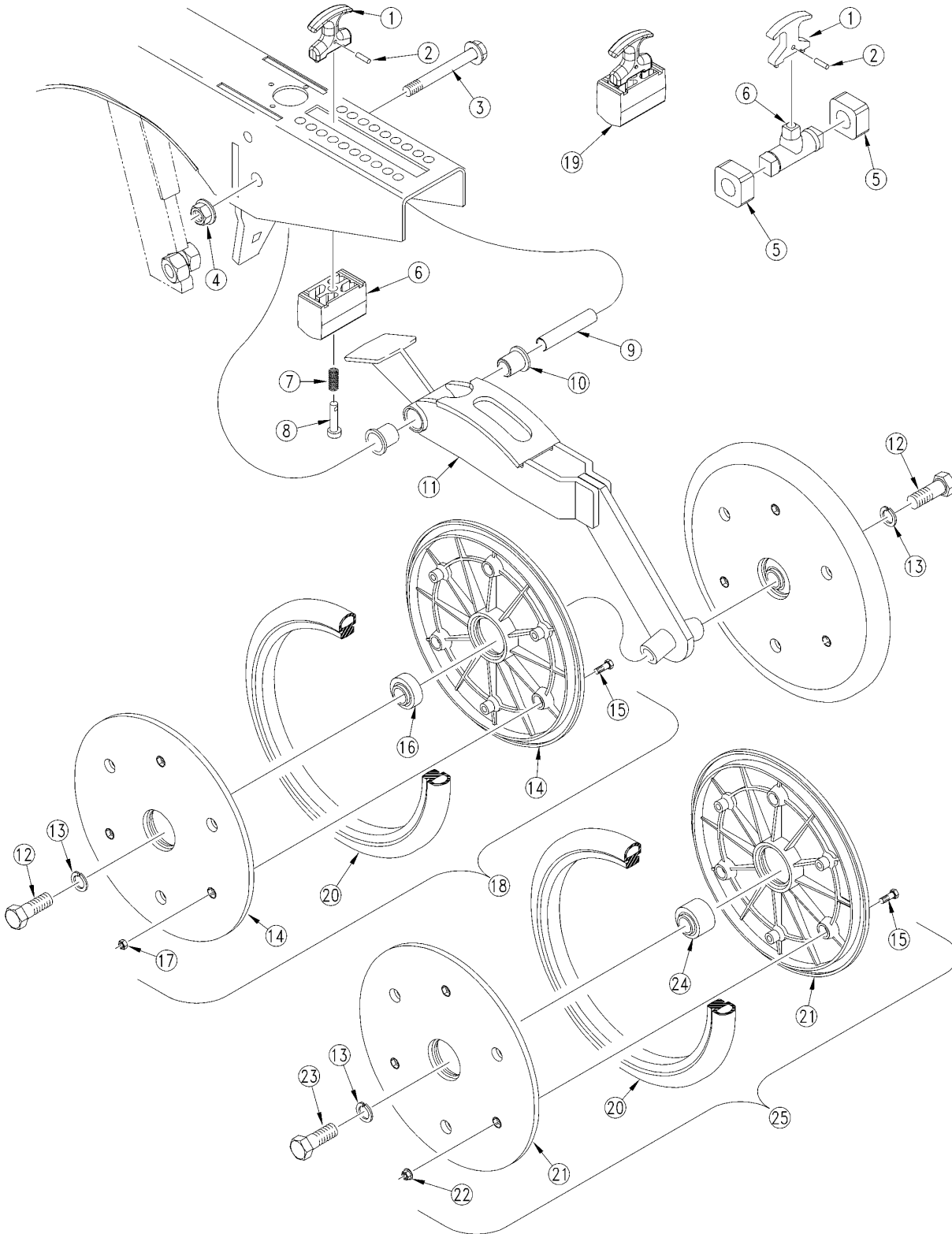
**(Applies to 1200 (1994+), 1500 (1994+), 2000 (1994+) only)**

<b>Ref</b>	<b>Part No.</b>	<b>Part Description</b>	<b>Comments</b>	<b>Revision</b>
	dwg11184	Image No.		
1.	199-008A	1 X 10 DBL V SPRING ADJ & HDWR	Includes items 1 through 20	
1.	199-009S	1 X 10 PRESS WHEEL ASSY	Includes items 2 through 6	
2.	803-088C	NUT HEX LOCK 1/4-20 FLG		
3.	814-084C	1X10 P.W. RIM HALF		
4.	814-085C	1X10 PRESS WHEEL TIRE		
5.	822-023C	INSERT SINGLE ENDED SFT		
6.	802-196C	HFSS 1/4-20X5/8 GR5		
7.	199-010H	DC 1 X 10 DBL V PW ARM WMNT	Aug. 31, 1997-	
8.	801-007C	SCREW SQ HD SET 3/8-16X7/8 PLT		
9.	803-012C	NUT HEX JAM 3/8-16 PLT		
10.	805-166C	PIN CLEVIS 7/16 X 3 PLT		
11.	805-067C	PIN COTTER 1/8 X 3/4		
12.	199-015D	PW HANDLE SPACER TUBE		
13.	199-011D	118-433DG HANDLE		
14.	802-029C	HHCS 7/16-14X1 1/2 GR5		
15.	804-041C	WASHER FLAT 7/16 SAE PLT		
16.	890-598C	BUSHING 3/4OD X 5/8ID X 1/2 LG		
17.	807-088C	SPRING EXT 1 5/8 OD X 8.2		
18.	804-014C	WASHER LOCK 7/16 PLT		
19.	803-229C	NUT HEX FLANGE LOC 7/16-14 PLT		
20.	890-524C	20 SER PW ARM PIVOT SPACER TB		
21.	802-113C	HHCS 7/16-14X1 3/4 GR5	April 1996-	
22.	199-024D	PRESS WHEEL SPACER BUSHING	April 1996-. Not available. Order update kit 198-403A.	
23.	817-083C	PRESS WHEEL ARM PIVOT BUSHING	April 1996-. Not available. Order update kit 198-403A.	
24.	803-015C	NUT HEX 7/16-14 PLT	April 1996-	
25.	198-423H	20 SER OPNR PRESS WHEEL MNT	Sept. 1, 1997+	

[Table of Contents](#)   [Part Number Index](#)

**1" x 12" Double "V" Press Wheel**

(Applies to 1200 (1994+), 1500 (1994+), 2000 (1994+) only)



14795

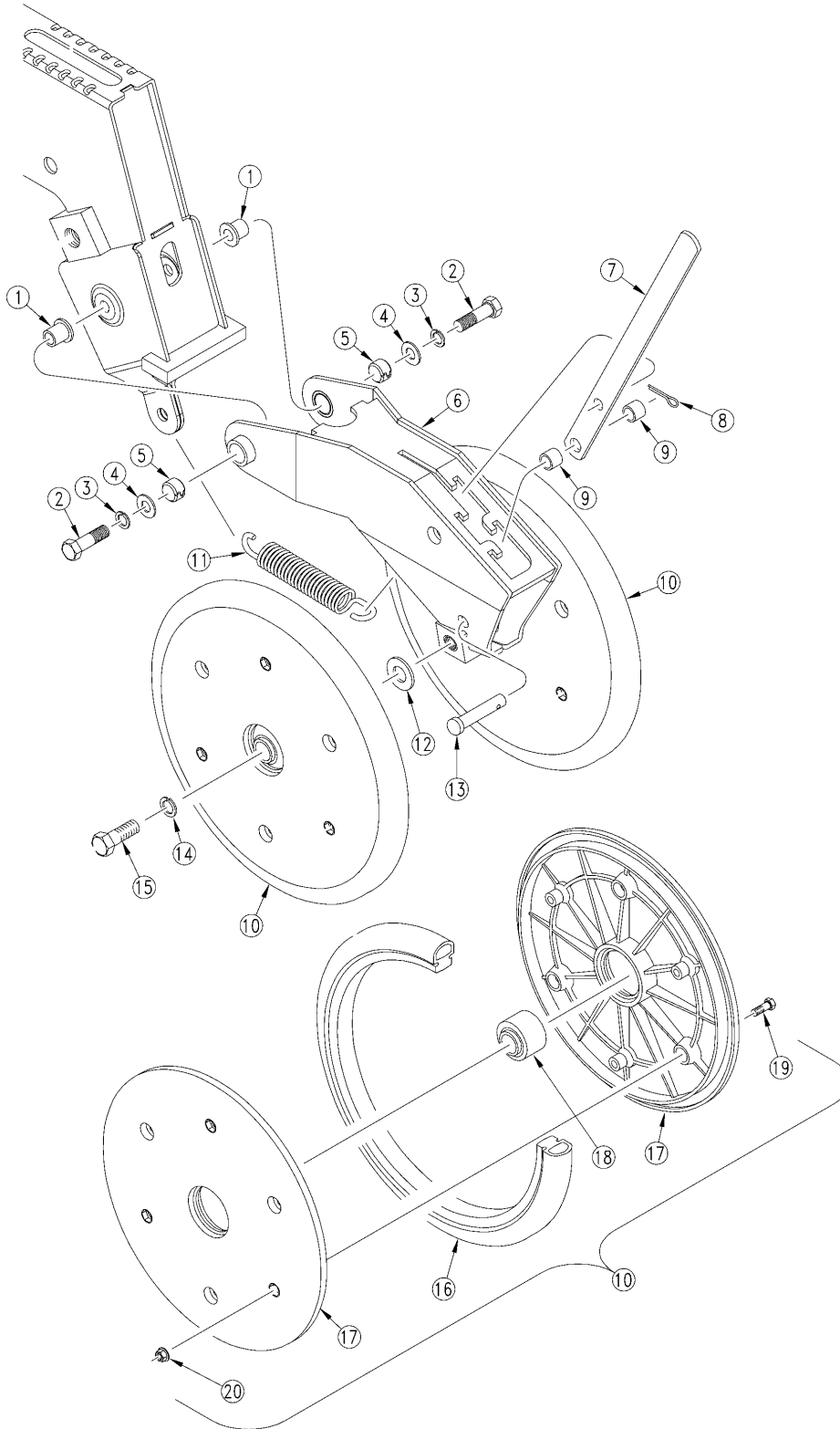
**1" x 12" Double "V" Press Wheel**

**(Applies to 1200 (1994+), 1500 (1994+), 2000 (1994+) only)**

<b>Ref</b>	<b>Part No.</b>	<b>Part Description</b>	<b>Comments</b>	<b>Revision</b>
	dwg14795	Image No.		
1.	198-104D	RPBY 817-328C	See item 26.	1st rev.
1.	817-328C	T-HANDLE ASSEMBLY		
2.	805-186C	PIN ROLL 5/32 X 5/8 PLT		
3.	802-421C	HFS 1/2-13X3 3/4 GR5 SPTHD		
4.	803-169C	NUT HEX FLG. LOCK 1/2-13 PLT.		
5.	817-132C	PRESS WHEEL ARM BUMPER	(1200 S/N 1489D-; 1500 S/N 9980C-; 2000 S/N 6607B-) Use only with item 6.	
6.	812-194C	RPBY 817-347C	(1200 S/N 1489D-; 1500 S/N 9980C-; 1st rev. 2000 S/N 6607B-). See item 27.	
6.	817-347C	OPENER TRUNION	(1200 S/N 1490D+; 1500 S/N 9981C+; 2000 6608B+). Replaces items 5 and 6.	
7.	807-106C	SPRING .540 O.D.X 1 1/4 X.054W		
8.	805-154C	PIN CLEVIS 3/8 X 2 1/8 USABLE		
9.	198-137D	PRESS WHEEL PIVOT TUBE		
10.	817-084C	PARALLEL ARM PIVOT BUSHING		
11.	199-022H	98 1X12 PRESS WHEEL WELDMENT	9/1/97+. Use with item 25.	Rev. 3 is not interchangeable w/rev. 2
11.	199-020H	1 X 12 PRESS WHEEL WELDMENT	(1200 S/N 1413D<->8/30/97; 1500 S/N 8877<->8/30/97 & 2000 S/N 6100B<->8/30/97) Use with item 18.	Rev. 2 is not interchangeable w/rev. 1
11.	199-017H	95 1 X 12 DBL V PW WELDMENT	(1200 S/N 1412D-; 1500 S/N 8876- & 2000 S/N 6099B-) Use with item 18.	1st rev.
12.	802-051C	HHCS 5/8-11X1 1/2 GR5		
13.	804-022C	WASHER LOCK SPRING 5/8 PLT		
14.	817-081C	1 X 12 MOLDED PRESS WHEEL RIM		
15.	802-005C	HHCS 1/4-20X1 GR5		
16.	188-001V	BEARING AA205DD		
17.	803-007C	NUT-LOCK 1/4-20 PLT		
18.	814-143C	1 X 12 GP PRESS WHEEL ASSEMBLY	8/31/97-; Includes items 14 through 17 and 20	2nd rev.
18.	122-136S	RPBY 814-143C	Includes items 14 through 17 and 20	Use existing stock; 1st rev.
19.	122-202S	PW ADJUSTMENT TRUNNION ASSY	Includes items 2, 7, 8, 26 and 27.	
20.	814-034C	TIRE RUBBER 1 X 12		
21.	817-330C	1 X 12 PRESS WHEEL RIM HALF		
22.	803-088C	NUT HEX LOCK 1/4-20 FLG		
23.	802-058C	HHCS 5/8-11X2 1/2 GR5		
24.	822-170C	BRG .63ID PRESS WHL ASY		
25.	814-174C	1 X 12 PRESS WHL ASSY-5203BRG	9/1/97+. Includes items 13, 15, & 20 thru 24.	

# 1" x 12" Press Wheel

(Applies to 1200 (1994+) only)



27029

## 1" x 12" Press Wheel

---

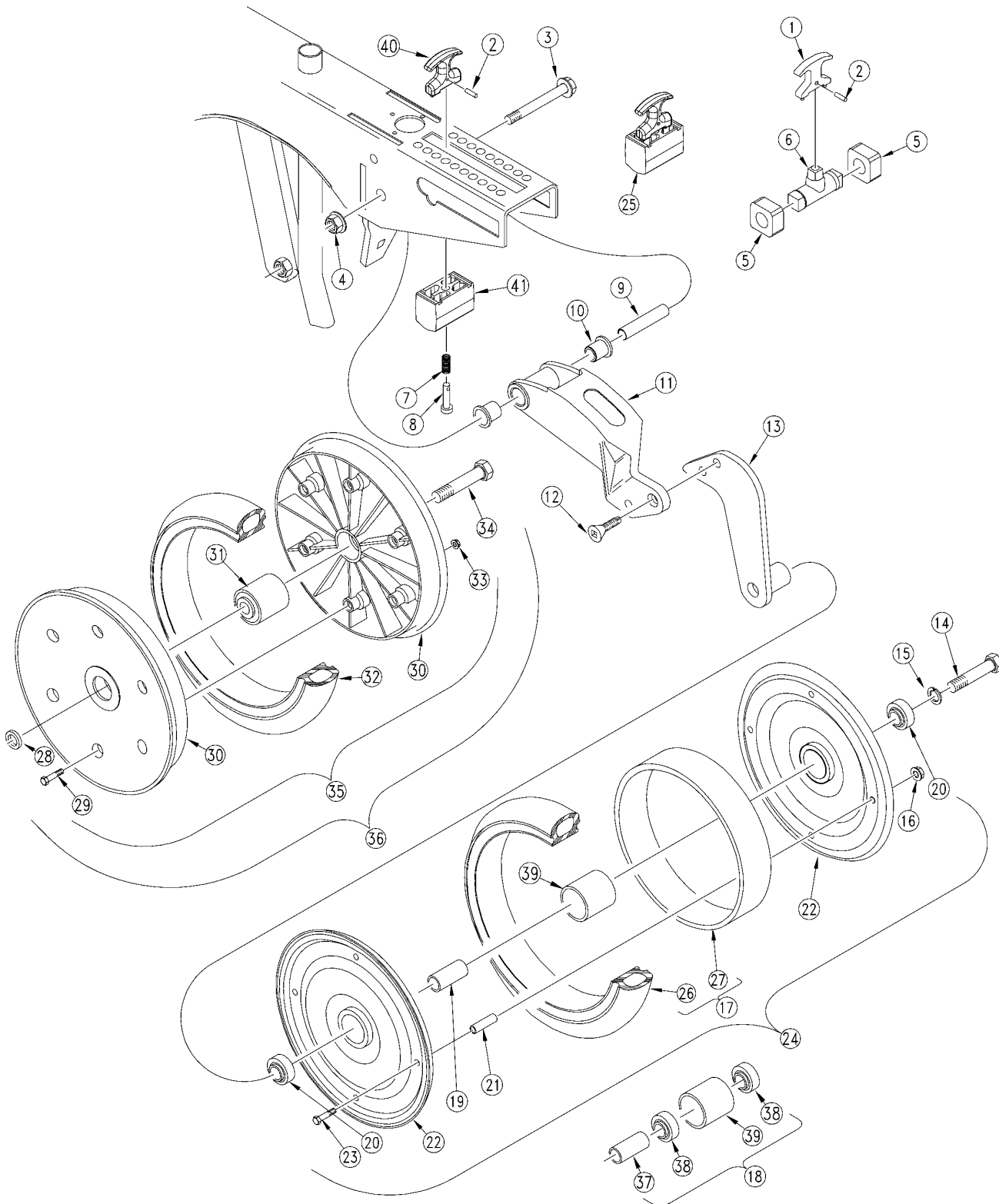
(Applies to 1200 (1994+) only)

Ref	Part No.	Part Description	Comments	Revision
	dwg27029	Image No.		
1.	890-524C	20 SER PW ARM PIVOT SPACER TB		
2.	802-029C	HHCS 7/16-14X1 1/2 GR5		
3.	804-014C	WASHER LOCK 7/16 PLT		
4.	804-041C	WASHER FLAT 7/16 SAE PLT		
5.	890-598C	BUSHING 3/4OD X 5/8ID X 1/2 LG		
6.	199-023H	1X12 PW OPENER PW MOUNT		
7.	199-011D	118-433DG HANDLE		
8.	805-067C	PIN COTTER 1/8 X 3/4		
9.	199-050D	LONG 1X12 PW HANDLE SPACER TB		
10.	814-174C	1 X 12 PRESS WHL ASSY-5203BRG		
11.	807-088C	SPRING EXT 1 5/8 OD X 8.2		
12.	804-040C	WASHER MACH 1.19 X .63 X 18GA		
13.	805-295C	PIN CLEVIS 7/16 X 2 9/64 USABL		
14.	804-022C	WASHER LOCK SPRING 5/8 PLT		
15.	802-058C	HHCS 5/8-11X2 1/2 GR5		
16.	814-034C	TIRE RUBBER 1 X 12		
17.	817-330C	1 X 12 PRESS WHEEL RIM HALF		
18.	822-170C	BRG .63ID PRESS WHL ASY		
19.	802-005C	HHCS 1/4-20X1 GR5		
20.	803-088C	NUT HEX LOCK 1/4-20 FLG		

[Table of Contents](#)   [Part Number Index](#)

**2" x 13" Smooth Crown Press Wheel (12' S/N 1412D-; 15' S/N 8876C- & 20' S/N 6099B-)**

(Applies to 1200 (1994+), 1500 (1994+), 2000 (1994+) only)



12039

## Table of Contents    Part Number Index

Press Wheels

### **2" x 13" Smooth Crown Press Wheel (12' S/N 1412D-; 15' S/N 8876C- & 20' S/N 6099B-)**

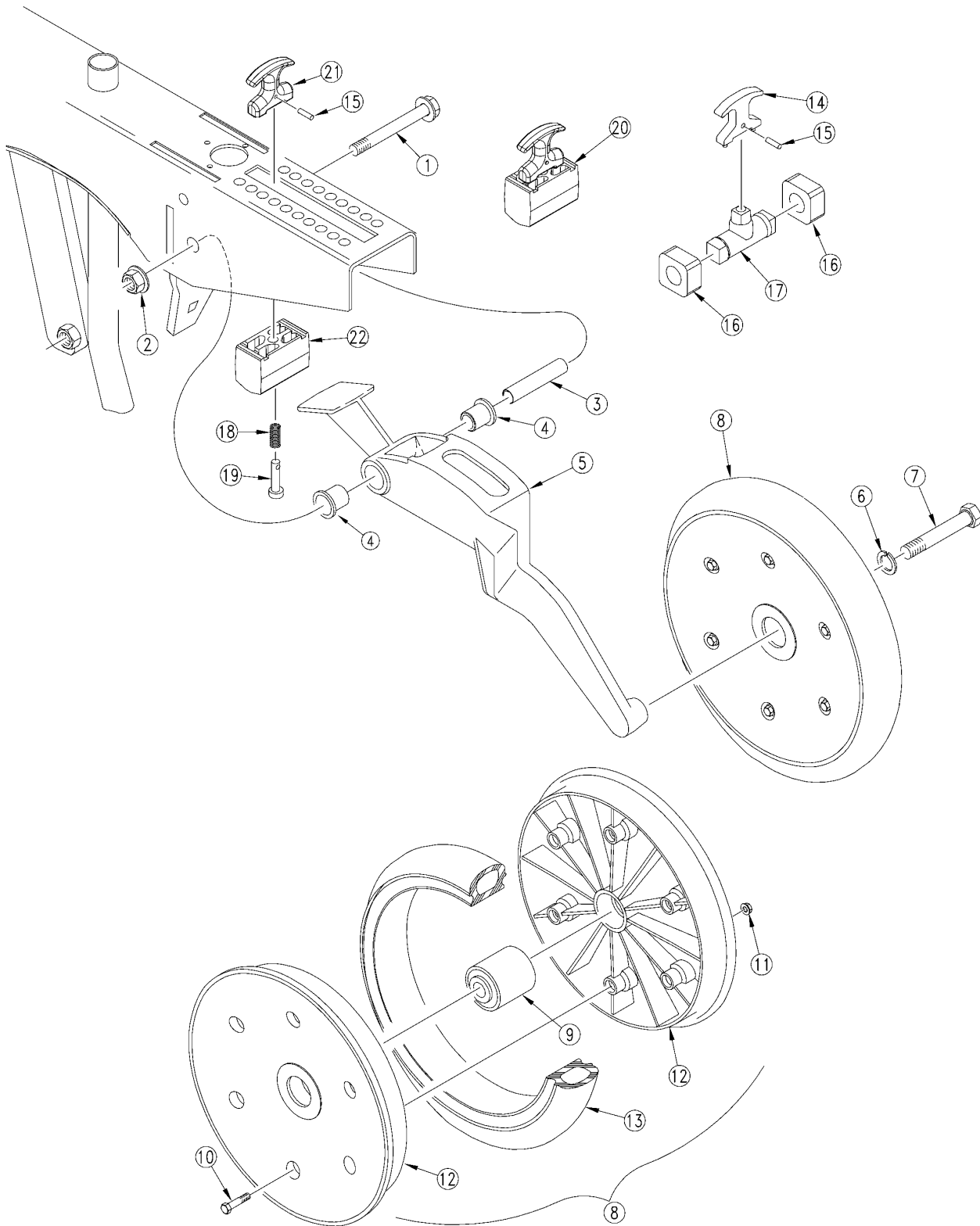
**(Applies to 1200 (1994+), 1500 (1994+), 2000 (1994+) only)**

Ref	Part No.	Part Description	Comments	Revision
	dwg12039	Image No.		
1.	198-104D	RPBY 817-328C	See item 40.	1st rev.
2.	805-186C	PIN ROLL 5/32 X 5/8 PLT		
3.	802-421C	HFS 1/2-13X3 3/4 GR5 SPTHD		
4.	803-169C	NUT HEX FLG. LOCK 1/2-13 PLT.		
5.	817-132C	PRESS WHEEL ARM BUMPER	(1200 S/N 1489D-; 1500 S/N 9980C-; 2000 S/N 6607B-) Use only with item 6.	
6.	812-194C	RPBY 817-347C	(1200 S/N 1489D-; 1500 S/N 9980C-; 1st rev. 2000 S/N 6607B-). See item 41.	
7.	807-106C	SPRING .540 O.D.X 1 1/4 X.054W		
8.	805-154C	PIN CLEVIS 3/8 X 2 1/8 USABLE		
9.	198-137D	PRESS WHEEL PIVOT TUBE		
10.	817-084C	PARALLEL ARM PIVOT BUSHING		
11.	199-025D	PRESS WHEEL ARM MACHINED		
12.	801-115C	SFHCS 1/2-13X1 W/ 3/8 SQ SOCKT		
13.	122-188H	PRESS WHEEL ARM END WMNT		
14.	802-059C	HHCS 5/8-11X3 GR5		
15.	804-022C	WASHER LOCK SPRING 5/8 PLT		
16.	803-177C	803-184 FLG TP LK 5/16-18ZNYCR		
17.	122-189V	2 X 13 TIRE & RING ASSEMBLY	Includes items 26 & 27	
18.	122-190V	REPLACED BY COMPONENT PARTS		
19.	122-114D	2 X 13 PW BRG. SPACER TUBE		
20.	822-095C	BRG INS .63IDX1.57OD DBL LIP		
21.	890-198C	2X13 P.W. BOLT SPACER		
22.	122-115D	RPBY 122-233 OR -234A		
23.	802-013C	HHCS 5/16-18X1 3/4 GR5		
24.	122-115S	RPBY 122-233A	Includes items 16, 17, 19, 20, 21, 22, 23 and 39.	
25.	122-202S	PW ADJUSTMENT TRUNNION ASSY	Includes items 2, 7, 8, 40 and 41.	
26.	814-069C	TIRE 2 X 13 PW CROWN		
27.	817-067C	2 P.W. RIM SPACER RING		
28.	122-158D	2 X 13 ACE PRESS WHEEL SPACER		
29.	802-617C	HHFS 1/4-20 X 1 1/2 GR 5		
30.	817-296C	2 X 13 PRESS WHEEL RIM HALF		
31.	822-170C	BRG .63ID PRESS WHL ASY		
32.	814-159C	2 X 13 PRESS WHEEL TIRE		
33.	803-088C	NUT HEX LOCK 1/4-20 FLG		
34.	802-058C	HHCS 5/8-11X2 1/2 GR5		
35.	814-157C	2 X 13 PRESS WHEEL ASSEMBLY		
36.	122-233A	PLASTIC 2X13 PW FIELD ASSY		
37.	122-114D	2 X 13 PW BRG. SPACER TUBE		
38.	822-095C	BRG INS .63IDX1.57OD DBL LIP		
39.	122-002D	2 BEARING HUB		
40.	817-328C	T-HANDLE ASSEMBLY		2nd rev.
41.	817-347C	OPENER TRUNION	(1200 S/N 1490D+; 1500 S/N 9981C+; 2nd rev. 2000 6608B+) Replaces items 5 and 6.	

**Table of Contents    Part Number Index**

**2" x 13" Smooth Crown Press Wheel (12' S/N 1413D+; 15' S/N 8877C+ & 20' S/N 6100B+)**

(Applies to 1200 (1994+), 1500 (1994+), 2000 (1994+) only)



16041



**Table of Contents    Part Number Index**

Press Wheels

**2" x 13" Smooth Crown Press Wheel (12' S/N 1413D+; 15' S/N 8877C+ & 20' S/N 6100B+)**

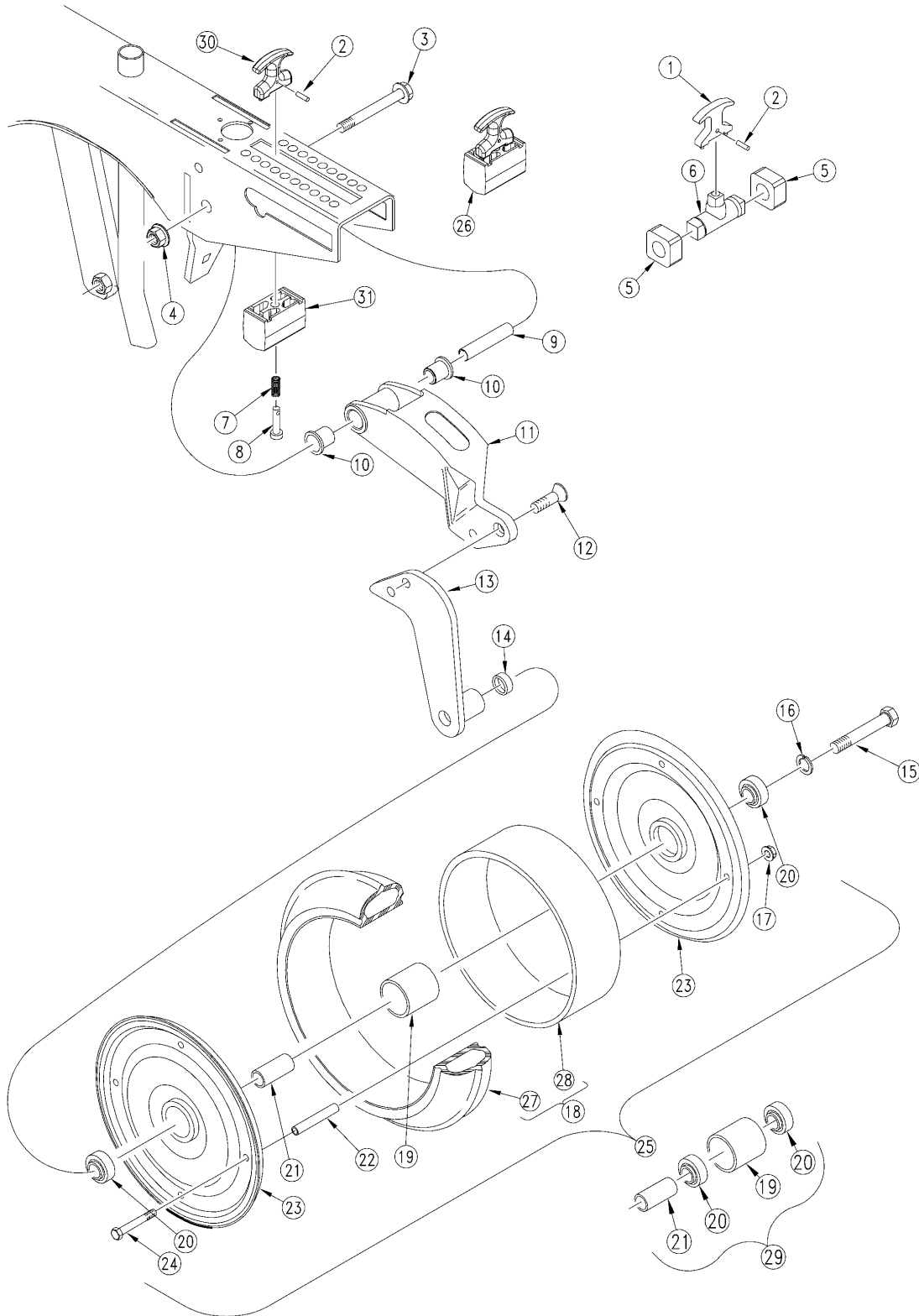
**(Applies to 1200 (1994+), 1500 (1994+), 2000 (1994+) only)**

Ref	Part No.	Part Description	Comments	Revision
	dwg16041	Image No.		
1.	802-421C	HFS 1/2-13X3 3/4 GR5 SPTHD		
2.	803-169C	NUT HEX FLG. LOCK 1/2-13 PLT.		
3.	198-137D	PRESS WHEEL PIVOT TUBE		
4.	817-084C	PARALLEL ARM PIVOT BUSHING		
5.	199-042D	UNIVERSAL PW ARM MACH 2&3X13		2nd rev.
5.	199-028D	RPBY 199-042D		1st rev.
6.	804-022C	WASHER LOCK SPRING 5/8 PLT		
7.	802-058C	HHCS 5/8-11X2 1/2 GR5		
8.	814-157C	2 X 13 PRESS WHEEL ASSEMBLY	Includes items 9 through 13	
9.	822-170C	BRG .63ID PRESS WHL ASY		
10.	802-617C	HHFS 1/4-20 X 1 1/2 GR 5		
11.	803-088C	NUT HEX LOCK 1/4-20 FLG		
12.	817-296C	2 X 13 PRESS WHEEL RIM HALF		
13.	814-159C	2 X 13 PRESS WHEEL TIRE		
14.	198-104D	RPBY 817-328C	See item 21.	1st rev.
15.	805-186C	PIN ROLL 5/32 X 5/8 PLT		
16.	817-132C	PRESS WHEEL ARM BUMPER	(1200 S/N 1489D-; 1500 S/N 9980C-; 2000 S/N 6607B-) Use only with item 17.	
17.	812-194C	RPBY 817-347C	(1200 S/N 1489D-; 1500 S/N 9980C-; 2000 S/N 6607B-). See item 22.	
18.	807-106C	SPRING .540 O.D.X 1 1/4 X.054W		
19.	805-154C	PIN CLEVIS 3/8 X 2 1/8 USABLE		
20.	122-202S	PW ADJUSTMENT TRUNNION ASSY	Includes items 15, 18, 19, 21 and 22.	
21.	817-328C	T-HANDLE ASSEMBLY		2nd rev.
22.	817-347C	OPENER TRUNION	(1200 S/N 1490D+; 1500 S/N 9981C+; 2000 6608B+) Replaces items 16 and 17.	2nd rev.

[Table of Contents](#)   [Part Number Index](#)

**3" x 13" Single "V" Crown Press Wheel (12' S/N 1412D-; 15' S/N 8876C- & 20' S/N 6099B-)**

(Applies to 1200 (1994+), 1500 (1994+), 2000 (1994+) only)



12038

**Table of Contents    Part Number Index**

Press Wheels

**3" x 13" Single "V" Crown Press Wheel (12' S/N 1412D-; 15' S/N 8876C- & 20' S/N 6099B-)**

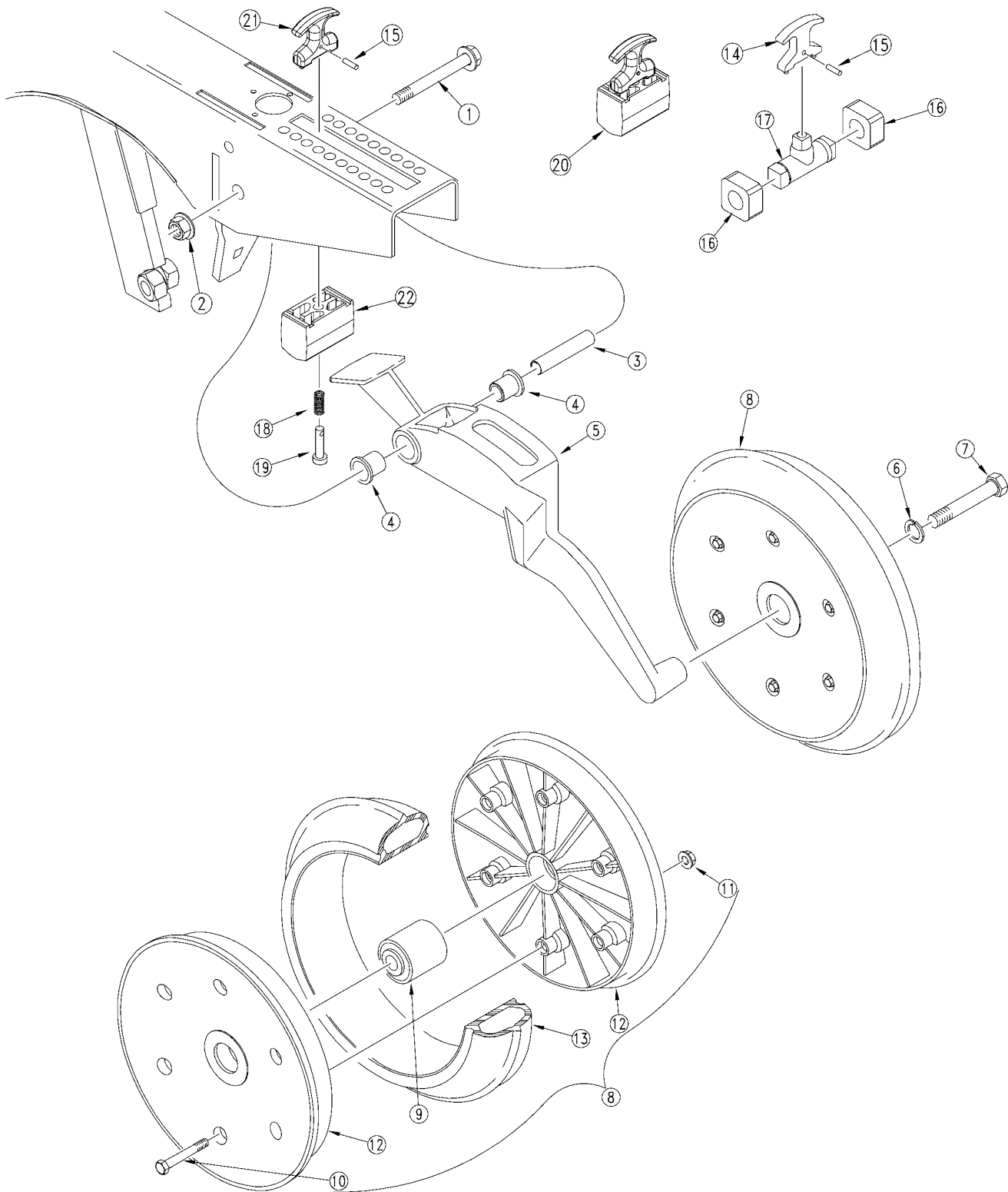
**(Applies to 1200 (1994+), 1500 (1994+), 2000 (1994+) only)**

Ref	Part No.	Part Description	Comments	Revision
	dwg12038	Image No.		
1.	198-104D	RPBY 817-328C	See item 31.	1st rev.
2.	805-186C	PIN ROLL 5/32 X 5/8 PLT		
3.	802-421C	HFS 1/2-13X3 3/4 GR5 SPTH		
4.	803-169C	NUT HEX FLG. LOCK 1/2-13 PLT.		
5.	817-132C	PRESS WHEEL ARM BUMPER	(1200 S/N 1489D-; 1500 S/N 9980C-; 2000 S/N 6607B-) Use only with item 6.	
6.	812-194C	RPBY 817-347C	(1200 S/N 1489D-; 1500 S/N 9980C-; 1st rev. 2000 S/N 6607B-) See item 30.	
7.	807-106C	SPRING .540 O.D.X 1 1/4 X.054W		
8.	805-154C	PIN CLEVIS 3/8 X 2 1/8 USABLE		
9.	198-137D	PRESS WHEEL PIVOT TUBE		
10.	817-084C	PARALLEL ARM PIVOT BUSHING		
11.	199-025D	PRESS WHEEL ARM MACHINED		
12.	801-115C	SFHCS 1/2-13X1 W/ 3/8 SQ SOCKT		
13.	122-188H	PRESS WHEEL ARM END WMNT		
14.	122-124D	3 X 13 PRESS WHEEL SPACER		
15.	802-151C	HHCS 5/8-11X4 1/4 GR5		
16.	804-022C	WASHER LOCK SPRING 5/8 PLT		
17.	803-177C	803-184 FLG TP LK 5/16-18ZNYCR		
18.	122-192V	3 X 13 TIRE & RING ASSEMBLY	Includes items 27 & 28	
19.	122-001D	3 BEARING HUB		
20.	822-095C	BRG INS .63IDX1.57OD DBL LIP		
21.	122-111D	3 X 13 P.W. BRG SPACER TUBE		
22.	890-199C	3X13 P.W. BOLT SPACER		
23.	122-115D	RPBY 122-233 OR -234A		
24.	802-197C	HHCS 5/16-18X2 3/4 GR5		
25.	122-116S	RPBY 122-234A	Includes items 17 through 24	
26.	122-202S	PW ADJUSTMENT TRUNNION ASSY	Includes items 2, 7, 8, 30 and 31.	
27.	814-068C	TIRE 3 X 13 PW V CROWN		
28.	817-065C	3 P.W. RIM SPACER RING		
29.	122-191V	REPLACED BY COMPONENT PARTS		
30.	817-328C	T-HANDLE ASSEMBLY		2nd rev.
31.	817-347C	OPENER TRUNION	(1200 S/N 1490D+; 1500 S/N 9981C+; 2nd rev. 2000 6608B+) Replaces items 5 and 6.	

[Table of Contents](#)   [Part Number Index](#)

**3" x 13" Single "V" Crown Press Wheel (12' S/N 1413D+; 15' S/N 8877C+ & 20' S/N 6100B+)**

(Applies to 1200 (1994+), 1500 (1994+), 2000 (1994+) only)



16040

**Table of Contents    Part Number Index**

Press Wheels

**3" x 13" Single "V" Crown Press Wheel (12' S/N 1413D+; 15' S/N 8877C+ & 20' S/N 6100B+)**

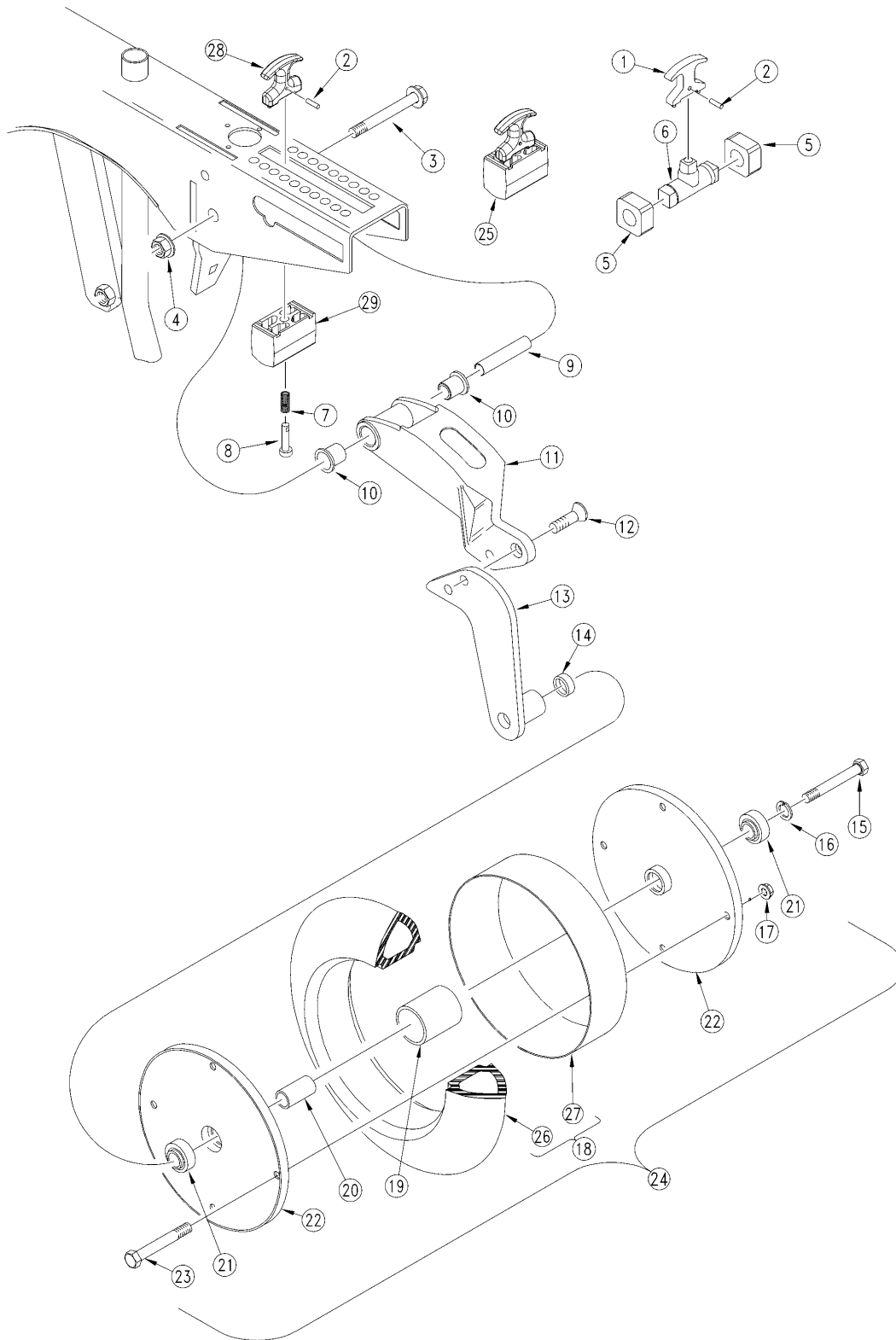
**(Applies to 1200 (1994+), 1500 (1994+), 2000 (1994+) only)**

Ref	Part No.	Part Description	Comments	Revision
	dwg16040	Image No.		
1.	802-421C	HFS 1/2-13X3 3/4 GR5 SPTH		
2.	803-169C	NUT HEX FLG. LOCK 1/2-13 PLT.		
3.	198-137D	PRESS WHEEL PIVOT TUBE		
4.	817-084C	PARALLEL ARM PIVOT BUSHING		
5.	199-042D	UNIVERSAL PW ARM MACH 2&3X13		2nd rev.
5.	199-029D	RPBY 199-042D		1st rev.
6.	804-022C	WASHER LOCK SPRING 5/8 PLT		
7.	802-058C	HHCS 5/8-11X2 1/2 GR5		
8.	814-158C	3 X 13 PRESS WHEEL ASSEMBLY	Includes items 9 through 13	
9.	822-170C	BRG .63ID PRESS WHL ASY		
10.	802-617C	HHFS 1/4-20 X 1 1/2 GR 5		
11.	803-088C	NUT HEX LOCK 1/4-20 FLG		
12.	817-297C	3 X 13 PRESS WHEEL RIM HALF		
13.	814-160C	3 X 13 PRESS WHEEL TIRE		
14.	198-104D	RPBY 817-328C	See item 21.	1st rev.
15.	805-186C	PIN ROLL 5/32 X 5/8 PLT		
16.	817-132C	PRESS WHEEL ARM BUMPER	(S/N 3410F- for 2SF24 and 3205G-for 2SF30) Use only with item 17.	
17.	812-194C	RPBY 817-347C	(S/N 3210F- for 2SF24 and 3205G-for 2SF30). See item 22.	1st rev.
18.	807-106C	SPRING .540 O.D.X 1 1/4 X.054W		
19.	805-154C	PIN CLEVIS 3/8 X 2 1/8 USABLE		
20.	122-202S	PW ADJUSTMENT TRUNNION ASSY	Includes items 15, 18, 19, 21 and 22.	
21.	817-328C	T-HANDLE ASSEMBLY		2nd rev.
22.	817-347C	OPENER TRUNION	(S/N 3411F+ for 2SF24 and 3206G+ for 2SF30) Replaces items 16 and 17.	2nd rev.

**Table of Contents    Part Number Index**

**3" x 14" Peaked Press Wheel (12' S/N 1412D-; 15' S/N 8876C- & 20' S/N 6099B-)**

(Applies to 1200 (1994+), 1500 (1994+), 2000 (1994+) only)



12037

**Table of Contents    Part Number Index**

Press Wheels

**3" x 14" Peaked Press Wheel (12' S/N 1412D-; 15' S/N 8876C- & 20' S/N 6099B-)**

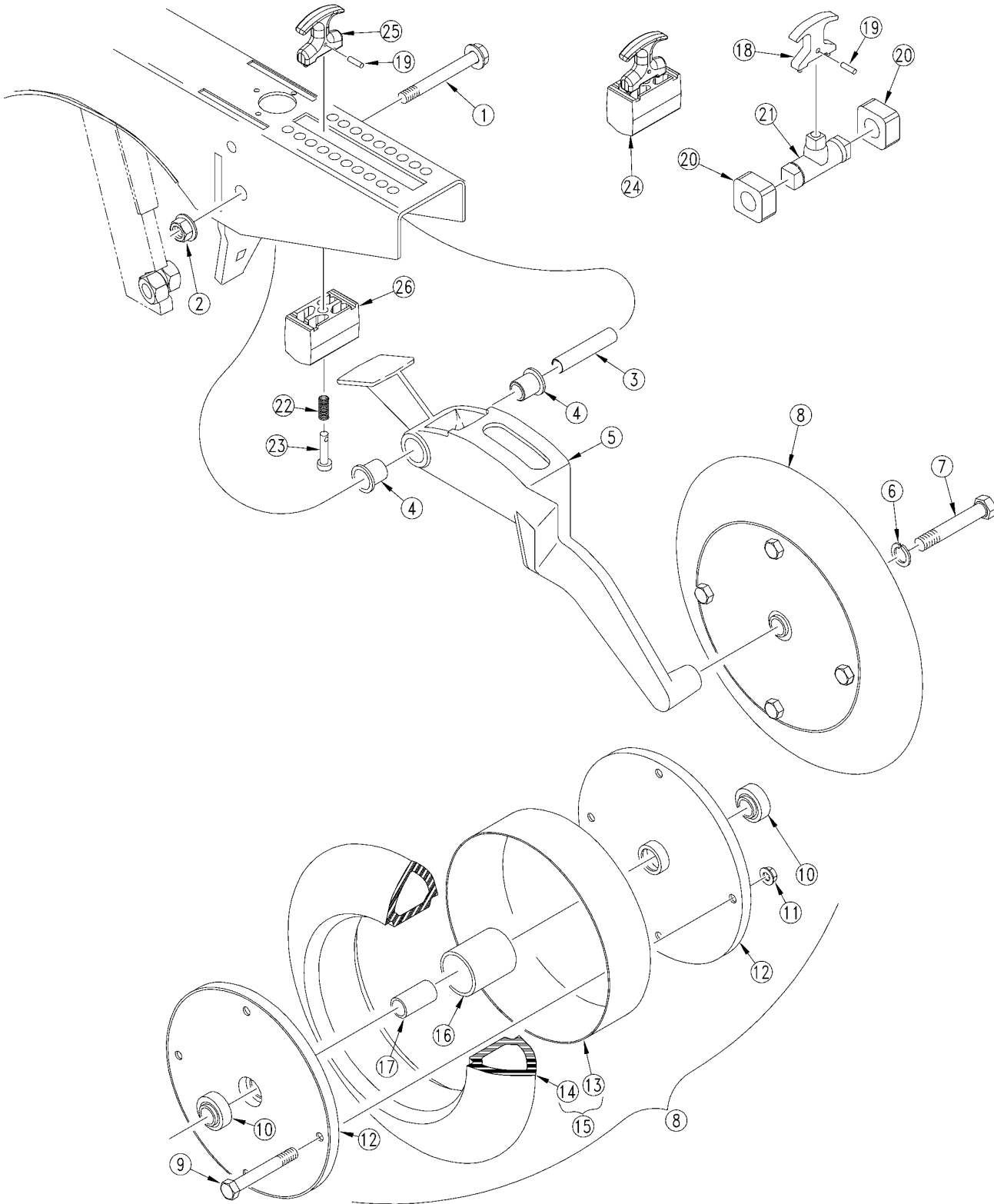
**(Applies to 1200 (1994+), 1500 (1994+), 2000 (1994+) only)**

Ref	Part No.	Part Description	Comments	Revision
	dwg12037	Image No.		
1.	198-104D	RPBY 817-328C	See item 28.	1st rev.
2.	805-186C	PIN ROLL 5/32 X 5/8 PLT		
3.	802-421C	HFS 1/2-13X3 3/4 GR5 SPTH		
4.	803-169C	NUT HEX FLG. LOCK 1/2-13 PLT.		
5.	817-132C	PRESS WHEEL ARM BUMPER	(1200 S/N 1489D-; 1500 S/N 9980C-; 2000 S/N 6607B-) Use only with item 6.	
6.	812-194C	RPBY 817-347C	(1200 S/N 1489D-; 1500 S/N 9980C-; 1st rev. 2000 S/N 6607B-). See item 29.	
7.	807-106C	SPRING .540 O.D.X 1 1/4 X.054W		
8.	805-154C	PIN CLEVIS 3/8 X 2 1/8 USABLE		
9.	198-137D	PRESS WHEEL PIVOT TUBE		
10.	817-084C	PARALLEL ARM PIVOT BUSHING		
11.	199-025D	PRESS WHEEL ARM MACHINED		
12.	801-115C	SFHCS 1/2-13X1 W/ 3/8 SQ SOCKT		
13.	122-188H	PRESS WHEEL ARM END WMNT		
14.	122-125D	3 X 14 PRESS WHEEL SPACER		
15.	802-060C	HHCS 5/8-11X4 GR5		
16.	804-022C	WASHER LOCK SPRING 5/8 PLT		
17.	803-177C	803-184 FLG TP LK 5/16-18ZNYCR		
18.	122-198V	3 X 14 TIRE & RING ASSEMBLY	Includes items 26 & 27	
19.	817-062C	LARGE SPACER TUBE		
20.	122-110D	SMALL SPACER TUBE		
21.	822-095C	BRG INS .63IDX1.57OD DBL LIP		
22.	122-041D	4X12 PW RIM HALF		
23.	802-197C	HHCS 5/16-18X2 3/4 GR5		
24.	122-117S	3 X 14 PEAKED P.W. ASSEMBLY	Includes itmes 17 through 23	
25.	122-202S	PW ADJUSTMENT TRUNNION ASSY	Includes items 2, 7, 8, 28 and 29.	
26.	814-067C	3 X 14 PEAKED PRESS WHEEL TIRE		
27.	817-063C	3 X 14 RIM SPACER RING		
28.	817-328C	T-HANDLE ASSEMBLY		2nd rev.
29.	817-347C	OPENER TRUNION	(1200 S/N 1490D+; 1500 S/N 9981C+; 2nd rev. 2000 6608B+) Replaces items 5 and 6.	

[Table of Contents](#)   [Part Number Index](#)

**3" x 14" Peaked Press Wheel (12' S/N 1413D+; 15' S/N 8877C+ & 20' S/N 6100B+)**

(Applies to 1200 (1994+), 1500 (1994+), 2000 (1994+) only)



16042



**Table of Contents    Part Number Index**

Press Wheels

**3" x 14" Peaked Press Wheel (12' S/N 1413D+; 15' S/N 8877C+ & 20' S/N 6100B+)**

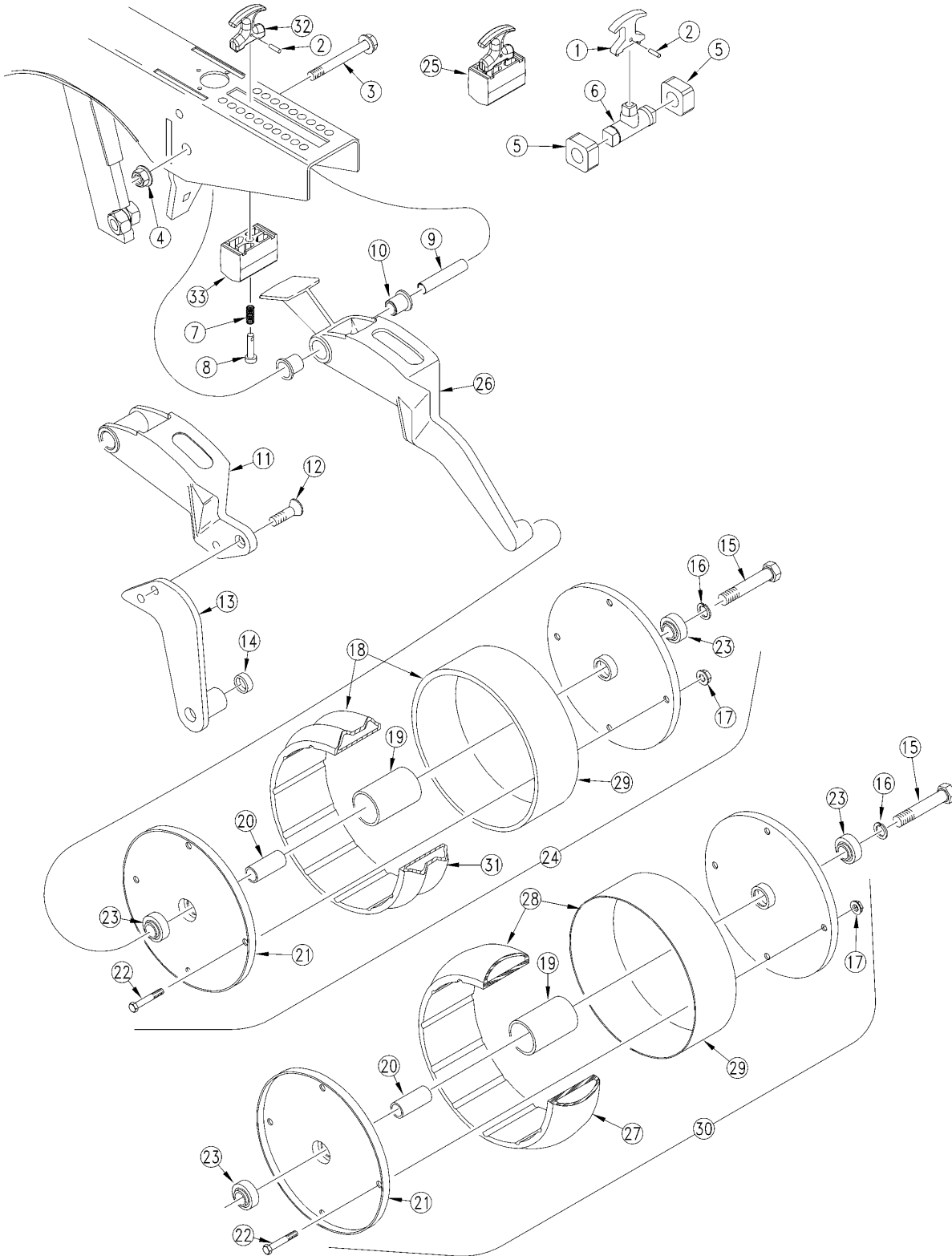
**(Applies to 1200 (1994+), 1500 (1994+), 2000 (1994+) only)**

Ref	Part No.	Part Description	Comments	Revision
	dwg16042	Image No.		
1.	802-421C	HFS 1/2-13X3 3/4 GR5 SPTH		
2.	803-169C	NUT HEX FLG. LOCK 1/2-13 PLT.		
3.	198-137D	PRESS WHEEL PIVOT TUBE		
4.	817-084C	PARALLEL ARM PIVOT BUSHING		
5.	199-030D	3 X 14 PRESS WHEEL ARM		
6.	804-022C	WASHER LOCK SPRING 5/8 PLT		
7.	802-059C	HHCS 5/8-11X3 GR5		
8.	122-117S	3 X 14 PEAKED P.W. ASSEMBLY	Includes items 9 through 17	
9.	802-197C	HHCS 5/16-18X2 3/4 GR5		
10.	822-095C	BRG INS .63IDX1.57OD DBL LIP		
11.	803-177C	803-184 FLG TP LK 5/16-18ZNYCR		
12.	122-041D	4X12 PW RIM HALF		
13.	817-063C	3 X 14 RIM SPACER RING		
14.	814-067C	3 X 14 PEAKED PRESS WHEEL TIRE		
15.	122-198V	3 X 14 TIRE & RING ASSEMBLY	Includes items 13 and 14	
16.	817-062C	LARGE SPACER TUBE		
17.	122-110D	SMALL SPACER TUBE		
18.	198-104D	RPBY 817-328C	See item 25.	1st rev.
19.	805-186C	PIN ROLL 5/32 X 5/8 PLT		
20.	817-132C	PRESS WHEEL ARM BUMPER	(1200 S/N 1489D-; 1500 S/N 9980C-; 2000 S/N 6607B-) Use only with item 21.	
21.	812-194C	RPBY 817-347C	(1200 S/N 1489D-; 1500 S/N 9980C-; 1st rev. 2000 S/N 6607B-). See item 26.	
22.	807-106C	SPRING .540 O.D.X 1 1/4 X.054W		
23.	805-154C	PIN CLEVIS 3/8 X 2 1/8 USABLE		
24.	122-202S	PW ADJUSTMENT TRUNNION ASSY	Includes items 19, 22, 23, 25 and 26.	
25.	817-328C	T-HANDLE ASSEMBLY		2nd rev.
26.	817-347C	OPENER TRUNION	(1200 S/N 1490D+; 1500 S/N 9981C+; 2nd rev. 2000 6608B+) Replaces items 20 and 21.	

[Table of Contents](#)   [Part Number Index](#)

**4" x 12" "V" Groove Press Wheel**

(Applies to 1200 (1994+), 1500 (1994+), 2000 (1994+) only)



12034

**4" x 12" "V" Groove Press Wheel**

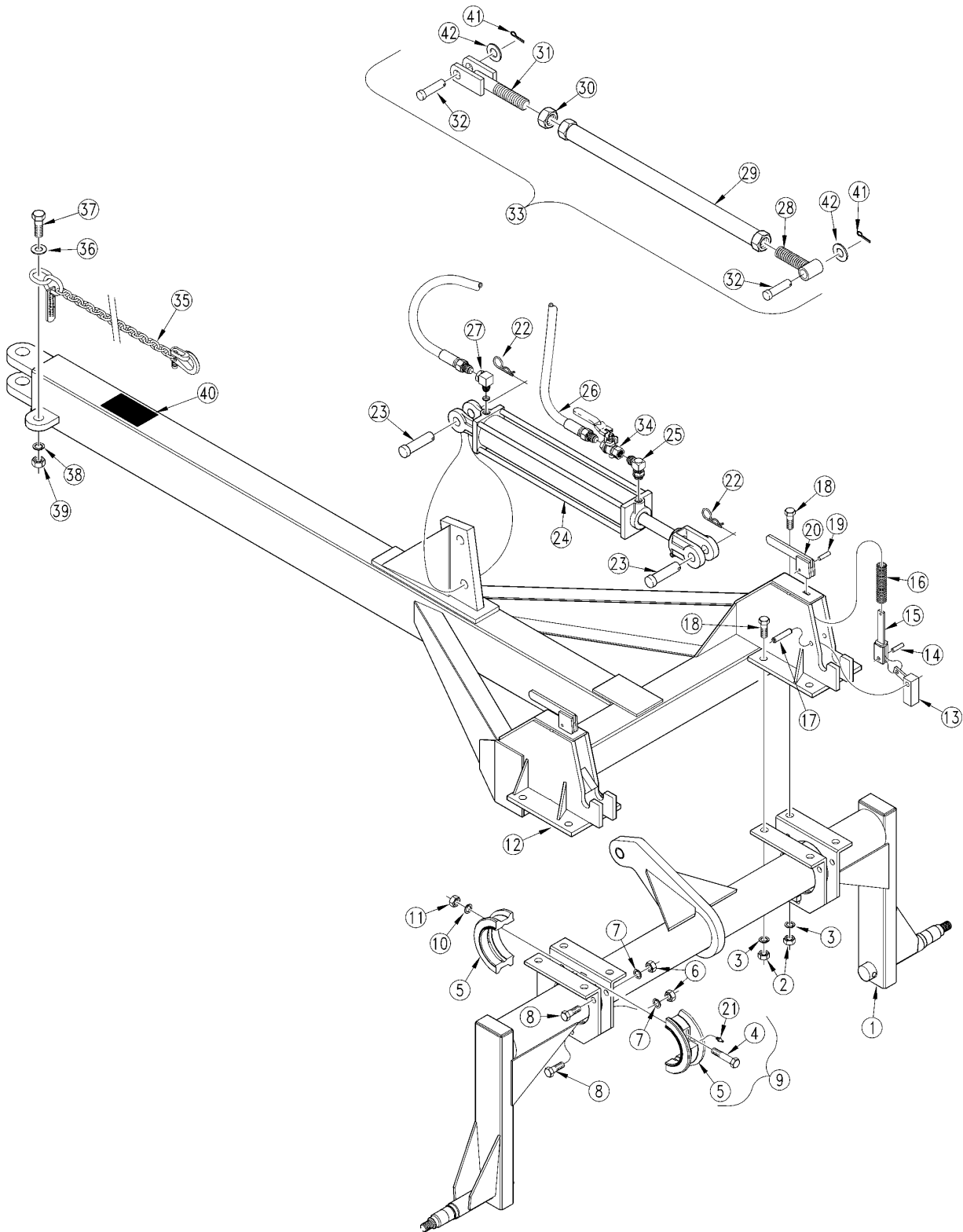
**(Applies to 1200 (1994+), 1500 (1994+), 2000 (1994+) only)**

<b>Ref</b>	<b>Part No.</b>	<b>Part Description</b>	<b>Comments</b>	<b>Revision</b>
	dwg12034	Image No.		
1.	198-104D	RPBY 817-328C	See item 32.	1st rev.
2.	805-186C	PIN ROLL 5/32 X 5/8 PLT		
3.	802-421C	HFS 1/2-13X3 3/4 GR5 SPTH		
4.	803-169C	NUT HEX FLG. LOCK 1/2-13 PLT.		
5.	817-132C	PRESS WHEEL ARM BUMPER	(1200 S/N 1489D-; 1500 S/N 9980C-; 2000 S/N 6607B-) Use only with item 6.	
6.	812-194C	RPBY 817-347C	(1200 S/N 1489D-; 1500 S/N 9980C-; 1st rev. 2000 S/N 6607B-). See item 33.	
7.	807-106C	SPRING .540 O.D.X 1 1/4 X.054W		
8.	805-154C	PIN CLEVIS 3/8 X 2 1/8 USABLE		
9.	198-137D	PRESS WHEEL PIVOT TUBE		
10.	817-084C	PARALLEL ARM PIVOT BUSHING		
11.	199-025D	PRESS WHEEL ARM MACHINED	(1200 S/N 1412D-; 1500 S/N 8876C- & 2000 S/N 6099B-)	
12.	801-115C	SFHCS 1/2-13X1 W/ 3/8 SQ SOCKT	(1200 S/N 1412D-; 1500 S/N 8876C- & 2000 S/N 6099B-)	
13.	122-188H	PRESS WHEEL ARM END WMNT	(1200 S/N 1412D-; 1500 S/N 8876C- & 2000 S/N 6099B-)	
14.	122-128D	4 X 12 PRESS WHEEL SPACER	(1200 S/N 1412D-; 1500 S/N 8876C- & 2000 S/N 6099B-)	
15.	802-100C	HHCS 5/8-11X4 1/2 GR5		
16.	804-022C	WASHER LOCK SPRING 5/8 PLT		
17.	803-177C	803-184 FLG TP LK 5/16-18ZNYCR		
18.	122-197V	4X12 V-GROOVE TIRE & RING ASSY		
19.	817-022C	4 X 12 LARGE SPREADER TUBE		
20.	122-094D	4X12 SMALL SPREADER TUBE-SHORT		
21.	122-041D	4X12 PW RIM HALF		
22.	802-119C	HHCS 5/16-18X3 3/4 GR5		
23.	822-095C	BRG INS .63IDX1.57OD DBL LIP		
24.	122-103S	4X12 V-GROOVE PRESS WHL ASSY	Includes items 17 through 23	
25.	122-202S	PW ADJUSTMENT TRUNNION ASSY	Includes items 2, 7, 8, 32 and 33.	
26.	199-031D	4 X 12 PRESS WHEEL ARM	(1200 S/N 1413D+; 1500 S/N 8877C+ & 2000 S/N 6100B+)	
27.	814-021C	TIRE 4 X 12 PW SMOOTH CROWN		
28.	122-199V	4X12 SMTH CRN TIRE & RING ASSY		
29.	817-023C	4 X 12 RIM SPACER RING		
30.	122-104S	4X12 SMOOTH CROWN PW ASSY		
31.	814-010C	TIRE PW 4 X 12		
32.	817-328C	T-HANDLE ASSEMBLY		2nd rev.
33.	817-347C	OPENER TRUNION	(1200 S/N 1490D+; 1500 S/N 9981C+; 2nd rev. 2000 6608B+) Replaces items 5 and 6.	

# Table of Contents    Part Number Index

## Pull Hitch Frame

(Applies to 1200 (1994+), 1500 (1994+), 2000 (1994+) only)



13274

## ***Pull Hitch Frame***

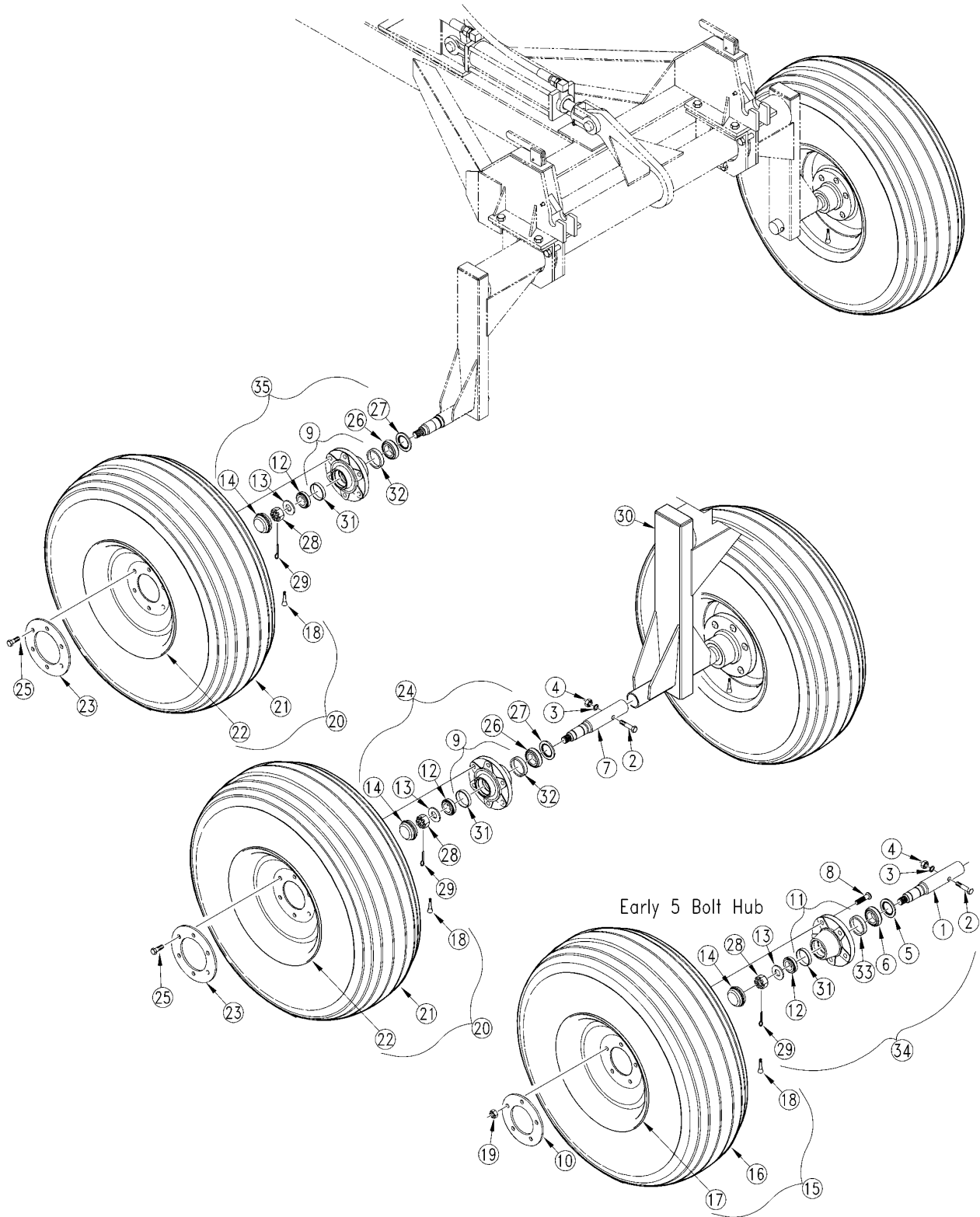
**(Applies to 1200 (1994+), 1500 (1994+), 2000 (1994+) only)**

<b>Ref</b>	<b>Part No.</b>	<b>Part Description</b>	<b>Comments</b>	<b>Revision</b>
	dwg13274	Image No.		
1.	124-002H	AXLE ASSEMBLY		
2.	803-027C	NUT HEX 3/4-10 PLT		
3.	804-023C	WASHER LOCK SPRING 3/4 PLT		
4.	802-024C	HHCS 3/8-16X3 GR5		
5.	812-005C	CASTING MAIN AXLE		
6.	803-021C	NUT HEX 5/8-11 PLT		
7.	804-022C	WASHER LOCK SPRING 5/8 PLT		
8.	802-060C	HHCS 5/8-11X4 GR5		
9.	126-001K	MAIN AXLE BEARING ASSEMBLY	Includes items 4; 5; 10;11 & 21.	
10.	804-013C	WASHER LOCK SPRING 3/8 PLT		
11.	803-014C	NUT HEX 3/8-16 PLT		
12.	124-020H	FRAME ASSEMBLY		
13.	124-018H	PIN LOCK WELDMENT		
14.	124-105D	PIN LOCK PIVOT PIN		
15.	124-017H	SPRING LEVER WELDMENT		
16.	807-007C	SPRING LEVER		
17.	805-037C	PIN SPIROL 1/2X2 1/2 PLAIN		
18.	802-065C	HHCS 3/4-10X2 1/4 GR5		
19.	805-044C	PIN ROLL 1/4 X 1 PLATED		
20.	124-016H	LOCK HANDLE WELDMENT		
21.	800-001C	GREASE ZERK STRAIGHT 1/4-28		
22.	805-088C	PIN, HAIR COTTER 3/16 WIRE DIA		
23.	805-090C	PIN CLEVIS 1 X 3 3/16 LG		
24.	810-001C	CYL 4X14X1.25 ROD (TIE)NO PINS		
25.	811-213C	EL 3/8MNPT 1/2MNPT		
26.	811-215C	HH3/8R2 144 3/8MNPT 1/2MNPT		
27.	811-301C	EL 3/8FNPTS 1/2MNPT		
28.	124-014H	UPPER CONNECT TUBE ASSEMBLY		
29.	124-015H	CONNECTING TUBE ASSEMBLY		
30.	803-032C	NUT HEX JAM 1 1/4-7 PLT		
31.	111-002H	ADJ. CLEVIS ASSEMBLY		
32.	805-004C	PIN CLEVIS 1 X 2 3/4 USABLE LG		
33.	124-019K	THREADED ADJUSTABLE LINK	Includes items 28 thru 32.	
34.	810-076C	VALVE BALL 3/8 NPT 90 DEGREES		
35.	890-182C	SAFETY CHAIN 10000 LB		
36.	124-116D	PULL HITCH SAFETY CHAIN WASHER		
37.	802-181C	HHCS 1-8X4 GR5 FTHD		
38.	804-027C	WASHER LOCK SPRING 1 PLT		
39.	803-031C	NUT HEX 1-8 PLT		
40.	818-019C	DECAL WARNING NEG TONGUE WT		
41.	805-016C	PIN COTTER 3/16 X 1 1/4 PLT		
42.	804-029C	WASHER FLAT 1 SAE		

[Table of Contents](#)   [Part Number Index](#)

**Pull Hitch Tire & Hub**

(Applies to 1200 (1994+), 1500 (1994+), 2000 (1994+) only)



13275

## Table of Contents    Part Number Index

Pull Hitch

### **Pull Hitch Tire & Hub**

**(Applies to 1200 (1994+), 1500 (1994+), 2000 (1994+) only)**

Ref	Part No.	Part Description	Comments	Revision
	dwg13275	Image No.		
1.	201-008D	5 BOLT HUB SPINDLE		
2.	802-099C	HHCS 1/2-13X3 1/4 GR5		
3.	804-015C	WASHER LOCK SPRING 1/2 PLT		
4.	803-020C	NUT HEX 1/2-13 PLT		
5.	816-017C	HUB SEAL 5 BOLT		
6.	822-034C	BRG CONE LM-48548		
7.	201-009D	6 BOLT SINGLE ENDED SPINDLE		
8.	802-135C	HUB STUD 1/2-20X1 5/8 GR5		
9.	815-082C	HUB 6 BOLT 4 5/8 PILOT W/ CUPS	8/1/1996 <-> 12/31/1997. If replacing old hub order bolts P/N 802-399C item 25.	Rev. 3 is not interchangeable w/ rev. 2
9.	200-037V	RPBY 815-082C	1991 <-> 8/1/96.	2nd rev.
9.	200-006S	RPBY 200-037V		Use existing stock; 1st rev.
10.	124-118D	5 BOLT WHEEL REINFORCING RING		
11.	200-036V	5 BOLT WHEEL HUB & CUP ASSY		2nd rev.
11.	200-005S	RPBY 200-036V		Use existing stock; 1st rev.
12.	822-021C	BEARING CONE LM-67048		
13.	804-055C	WASHER SPINDLE - 7/8		
14.	200-001D	HUB GREASE CAP		
15.	109-058K	TIRE 9.5LX15 ON 6IN 5BOLT RIM	Includes items 16, 17 and 18.	
16.	814-026C	RPBY 814-011C		
17.	814-005C	WHEEL 6 X 15 X 5 BOLT		
18.	816-035C	VALVE STEM TR415X.625X1 1/4 LG		
19.	803-017C	NUT LUG 1/2-20X90DEG PLT 13/16		
20.	102-006K	TIRE/WHEEL ASSY 9.5LX15 12 PLY	Includes items 18, 21 and 22.	
21.	814-009C	TIRE 9.5L X 15-12 PLY-TUBELESS		
22.	814-008C	WHEEL 8 X 15 X 6 BOLT		
23.	152-215D	WHEEL REINFORCING RING		
24.	200-045S	6 BOLT HUB PKG W/SPINDLE	Includes items 7, 9, 12, 13, 14, 23, 25, 26, 27, 28, 29,31 and 32	3rd rev.
24.	815-077C	HUB 6 BOLT 4 5/8 PILOT 3600 LB	Includes items 9, 12, 14, 26, 27, 28 and 29.	2nd rev.
24.	200-001S	RPBY 815-077C & (6)802-104C	Includes items 9, 12, 14, 25, 26 and 27.	1st rev.
25.	802-399C	HFS 1/2-20X1 1/2 GR5	8/1/1996 <-> 12/31/1997.	Rev. 2 is not interchangeable w/rev. 1
25.	802-104C	BOLT WHEEL 1/2-20X1 90-DEG	1991 <-> 8/1/96.	1st rev.
26.	822-018C	BRG CONE 1.50ID LM-29749		
27.	816-011C	SEAL 2.56X1.625X.438 CR16289		
28.	803-029C	NUT HEX SLOTTED 7/8-14 PLT		
29.	805-246C	PIN COTTER 5/32 X 1 3/4 LG		2nd rev.
29.	805-016C	PIN COTTER 3/16 X 1 1/4 PLT	Replaced by 805-246C.	1st rev.
30.	124-021H	AXLE ASSEMBLY		
31.	822-020C	BEARING CUP LM-67010		
32.	822-019C	BRG CUP LM-29710		
33.	822-033C	BRG CUP LM-48510		
34.	200-004S	5 BOLT HUB & SPINDLE PACKAGE	Includes items 1, 5, 6, 8, 11, 12, 13, 14, 19, 28 and 29	
35.	200-043S	REINFORCED 6 BOLT HUB PKG	Includes items 9, 12, 13, 14, 23, 25, 26, 27, 28, 29, 31 and 32	



# Part Number Index

The Part Number Index is a numeric index of all part numbers included in this manual. The index shows what page(s) the part is used on.

Part Number	Page	Part Number	Page	Part Number	Page	Part Number	Page
005860.130	59	116-067H	99, 101	118-415H	23, 27	118-455D	121
005865.036	59	116-067K	99, 101	118-416D	131	118-456D	123
1-100-02-00	117	116-068K	99, 101	118-417D	129	118-457D	125
102-006K	199	116-070K	99, 101	118-418D	129	118-458D	125
1042	113	116-102D	99, 101	118-418H	21	118-459D	123
107-027D	151	116-114D	99, 101	118-419D	127	118-474H	41
107-110D	173	116-116D	99, 101	118-419K	127	118-486D	21, 23, 27
107-111D	151, 155, 159, 163, 173	116-118D	99, 101	118-420D	127	118-487D	21, 23, 27
107-112D	155, 173	116-122D	101	118-420K	127	118-488D	21
107-113D	151, 155	116-129H	99	118-421D	121	118-489D	21
107-130S	155, 159, 173	116-130K	99	118-421K	129	118-492D	119
107-133S	155, 159, 163, 173	116-140K	99	118-422D	123	118-493D	21
107-134A	152, 155, 173	116-145K	99, 101	118-422K	129	118-494D	21
107-135S	151	116-146K	99, 101	118-423D	125	118-495D	21
107-136S	152, 173	116-161H	101	118-423K	131	118-496D	21
107-138S	151, 155, 159, 163	116-180D	99	118-424D	125	118-497D	21
1087-250	113	116-191D	101	118-424K	131	118-498D	41
1087-437	113	116-197H	55	118-425D	123	118-504D	133
1088-011	113	116-214D	55	118-425K	129	118-505D	133
1088-905	113	116-222D	55	118-426D	119	118-508D	133
1088-906	113	116-224D	55	118-426K	129	118-623H	133
1088-908	113	116-225D	57	118-427D	119	118-624S	133
1089-011	113	116-353D	117	118-427K	127	118-648D	61
109-004K	97	116-354D	117	118-428D	119	118-653D	24, 28
109-025H	143	117-028H	23, 27	118-428K	127	118-841A	24, 28
109-058K	97, 199	117-029H	23, 27	118-429D	119	118-842A	24, 28
109-069D	143	117-030H	23, 27	118-429K	121	1180	113
109-091D	119, 121, 123, 125, 127, 129, 131, 143	117-031H	23, 27	118-430D	119	1182	113
1092-6	113	117-033H	23, 27	118-430K	123	119-032D	35, 39, 47
1099	113	117-034H	23, 27	118-431D	119, 121, 127, 129	119-105H	39
111-002H	197	117-035H	23, 27	118-431K	125	119-153D	33, 37
113-180H	107	117-036H	23, 27	118-432D	119, 121, 123, 127, 129	119-154D	37
113-188H	107	117-037H	23, 27	118-432K	125	119-155D	35, 47
113-191H	107	117-038H	23, 27	118-433D	119, 121, 123, 127, 129	119-156D	35, 47
113-193H	107	117-039H	23, 27	118-433K	123	119-163D	35, 47
113-203H	111	117-040H	23, 27	118-434D	119, 121, 127, 129	119-166D	35, 47, 99
113-223H	111	117-041A	24, 27	118-434K	123	119-167D	47
113-248D	107	117-054D	24, 28	118-435K	119	119-168D	35, 45, 47
113-271D	99, 101	1179	113	118-436D	119, 121, 123, 127, 129	119-190D	9, 11, 13, 15, 17, 19, 23, 27, 31
113-312D	107	118-069H	91	118-436K	119	119-192D	35, 47
113-313D	107	118-070H	91	118-437D	119, 121, 123, 127, 129	119-203D	35, 47
113-324D	107	118-071D	65	118-437K	119	119-203H	35, 47
113-325D	107	118-226D	119	118-438D	119, 123, 127, 129	119-211D	35, 47
113-354D	107	118-226S	121, 123, 125, 127, 129, 131, 133	118-438K	119	119-222D	45, 47
113-364S	107	118-227E	133	118-439H	61	119-229H	37
113-369H	117	118-260A	65	118-440D	119, 123	119-230H	37
113-458H	105, 107, 115	118-336D	133	118-443H	143	119-231H	37
113-459H	105, 107, 115	118-340D	119, 123, 125	118-444H	143	119-232H	33
113-467H	107	118-341D	119, 121, 123, 125, 129	118-445K	121	119-233H	33
113-468H	107	118-348D	133	118-446K	123	119-234H	33
113-488D	115	118-353D	119, 125, 131	118-447K	125	119-235H	35, 45, 47
113-491D	107	118-356D	119, 125, 131	118-448K	125	119-236H	35, 45, 47
113-503H	107	118-372D	119, 125, 127, 129	118-449K	123	119-237H	47
113-506H	111	118-389B	24, 28, 49	118-450D	127, 129, 131	119-238H	47
113-507H	105, 111, 115	118-402D	23, 27	118-451D	121, 123, 125	119-239H	39
113-562H	117	118-403D	21, 23, 27	118-452H	23, 27	119-240H	39
113-563S	107	118-411D	127	118-453D	119, 121, 123, 125, 127, 131, 133	119-241H	39
1132-05	113	118-412D	127	118-453H	23, 27	119-242H	39
1132-08	113	118-413D	129	118-454D	119, 121, 123, 125, 127, 131, 133	119-254H	99
116-019D	141	118-413H	23, 27			119-255H	99
116-020D	141	118-414D	129			119-256H	45, 47
116-062H	99, 101	118-414H	23, 27			119-257H	45, 47
116-063H	107	118-415D	131			120-001E	83, 89, 93
116-064H	99, 101					120-188D	93
116-065H	99, 101					120-191D	79, 83
						120-192D	79, 83, 87, 89, 95
						120-193D	79, 83
						120-194D	79, 83
						120-195D	87, 89
						120-197D	79, 83, 87, 89



[Table of Contents](#)    [Part Number Index](#)



# Part Number Index (continued)

Part Number	Page	Part Number	Page	Part Number	Page	Part Number	Page
120-198D	79, 81, 83, 85, 87, 89, 95	122-156D	147	123-775H	13, 15, 43	142-263D	33
120-199D	65	122-158D	183	123-776H	13, 15, 43	142-264D	33
120-200D	65	122-173H	147	123-777H	13, 15, 43	142-265D	139
120-201D	65	122-187H	147	123-778H	13, 15, 43	142-266D	139
120-204D	65	122-188H	183, 187, 191, 195	123-779H	13, 15, 43	142-272D	139
120-208H	79, 81, 83, 85, 87, 89	122-189V	183	123-780H	13, 15, 43	142-273D	135
120-209H	61, 63, 75, 93	122-190V	183	123-781H	13, 15, 43	142-520H	149
120-210H	61, 63, 75, 93	122-191V	187	123-782H	13, 15, 43	142-521H	151
120-211H	93	122-192V	187	123-783H	13, 15, 43	142-540H	139
120-212H	65	122-197V	195	123-784H	17, 19, 43	142-541H	139
120-213H	83, 89, 93	122-198V	191, 193	123-785H	17, 19, 43	142-542H	139
120-214H	83, 89, 93	122-199V	195	123-786H	17, 19, 43	142-543H	139
120-215S	93	122-201S	147	123-787H	17, 19, 43	142-544H	139
120-216S	79, 83	122-202S	179, 183, 185, 187, 189, 191, 193, 195	123-788H	17, 19, 43	142-545H	139
120-217H	83, 89			123-789H	17, 19, 43	142-546H	139
120-223D	83, 89	122-231A	147	123-790H	17, 19, 43	142-547H	139
120-224D	83, 87, 89, 95	122-233A	183	123-791H	17, 19, 43	142-548H	139
120-226D	61, 63, 73, 75	122-242S	152, 155	123-792H	17, 19, 43	142-549H	139
120-229D	83, 89, 93	123-050H	145	123-793H	17, 19, 43	142-552H	139
120-230D	79, 87	123-113D	145	123-794H	9, 11, 43	142-553H	139
120-231D	71	123-116D	145	123-795H	9, 11, 43	142-554H	139
120-234D	63, 75, 77	123-118D	43	123-796H	9, 11, 43	142-555H	139
120-235D	71	123-203D	165	123-797H	9, 11, 43	142-556H	139
120-236D	71	123-231D	169	123-798H	9, 11, 43	142-557H	139
120-237D	71	123-232D	165	123-824H	43	142-558H	139
120-237S	79, 81, 83, 85, 95	123-299D	171	123-825H	43	142-559H	139
120-238D	65	123-306D	171	123-826H	43	142-560H	139
120-239D	65	123-356D	43	123-827H	9, 11, 13, 15, 17, 19	142-561H	139
120-240D	79, 83	123-409D	43	123-828H	17, 19	142-582H	31
120-242D	79, 81, 83, 85, 95	123-410D	145	123-829H	9, 11, 13, 15	142-583H	31
120-243D	79, 83	123-436D	145	123-832H	75	142-584H	31
120-244D	79, 83	123-476H	145	123-834H	145	142-585H	31
120-253D	79, 81, 83, 85	123-482D	13, 17	123-939H	165, 167	142-604H	31
120-254D	63, 73, 75	123-491D	9, 11, 13, 15, 17, 19	124-002H	197	142-615H	31
120-321D	79, 81, 85, 87, 89, 95	123-492D	9, 11, 13, 15	124-014H	197	142-630H	139
120-322D	81, 85, 87, 89, 95	123-495D	145	124-015H	197	142-631H	139
121-011A	151	123-496D	145	124-016H	197	142-632H	139
121-025D	151	123-497D	145	124-017H	197	142-633H	139
121-127D	151	123-498D	145	124-018H	197	142-634H	139
121-128D	151	123-499D	145	124-019K	197	142-636H	139
121-133D	151	123-500D	145	124-020H	197	142-637H	139
121-164D	152, 155	123-501D	145	124-021H	199	142-638H	139
121-703H	151	123-502D	145	124-105D	197	142-639H	139
121-704H	151, 155	123-503D	145	124-116D	197	142-640H	139
121-705A	152, 155	123-504D	145	124-118D	199	142-701H	149
1211	113	123-505D	145	126-001K	197	142-720H	151
1217	113	123-506D	145	133-051H	77	148-238H	23, 27
1218	113	123-507D	145	133-065D	149, 165	148-239H	23, 27
122-001D	187	123-508D	145	133-128H	167	148-240A	23, 27
122-002D	183	123-509D	145	133-147D	43	148-514D	79, 83
122-041D	191, 193, 195	123-510D	145	136-014D	77	150-044S	137
122-065D	137, 159	123-511D	145	136-020D	73	150-051D	137
122-094D	195	123-512D	145	136-058D	65	150-138D	24, 28
122-103S	195	123-513D	145	136-059D	63	152-040D	119, 125, 129
122-104S	195	123-514D	145	136-060D	61	152-215D	199
122-110D	191, 193	123-515D	61, 63, 75	136-077D	73	168-127D	63, 75, 77
122-111D	187	123-517D	61, 63, 75	136-089D	65, 71	168-492D	65
122-114D	183	123-518D	63, 75	136-106D	65	175-102H	135
122-115D	183, 187	123-520D	13, 17, 31	136-110D	61	181-138D	63
122-116S	183	123-521D	165, 171	136-115D	61, 63, 75	182-022D	119, 123, 125, 127, 129, 133, 143
122-116S	187	123-522D	169	141-011E	135		
122-117S	191, 193	123-523D	13, 17	141-041E	135	182-044D	125
122-120D	147	123-524D	31	141-084D	135	188-001V	151, 155, 173, 179
122-124D	187	123-531D	61, 63, 75	141-116H	135		
122-125D	191	123-532D	13, 15	142-009D	135	188-004V	93
122-128D	195	123-561D	11, 15, 19	142-141D	33	191-001D	135
122-136S	179	123-568D	73	142-194D	151	191-001H	137
122-151D	147	123-774H	13, 15, 43	142-198D	151	191-002D	135
				142-236D	31	191-006H	135
				142-256D	31	191-007H	135



# Part Number Index (continued)

Part Number	Page	Part Number	Page	Part Number	Page	Part Number	Page
191-018D	135	199-025D	183, 187, 191,	786088	69	801-115C	183, 187, 191,
191-019D	135		195	788051A	69		195
195-234D	81, 85	199-028D	185	788067B	69	801-141C	147
197-023H	41	199-029D	189	788069	69	801-143C	147
197-062D	91	199-030D	193	788078A	69	801-154C	41
197-089D	41	199-031D	195	792017	69	801-199C	141
197-090D	41	199-042D	185, 189	792073A	69	802-001C	135
197-091D	41	199-050D	181	792139	69	802-004C	24, 28, 79, 83,
197-096D	41	1M6006	109	792142	69		87, 89, 133, 151
197-148K	97	200-001D	199	792145	69	802-005C	24, 28, 145, 179,
197-189K	97	200-001S	199	792159	69		181
198-057S	159, 163, 173	200-004S	199	7M2328	109	802-007C	143
198-059S	159	200-005S	199	800-001C	83, 89, 93, 107,	802-012C	57
198-069D	159	200-006S	199		197	802-013C	183
198-070D	159	200-036V	199	800-003C	143	802-014C	115, 133, 143
198-071D	159	200-037V	199	800-004C	133	802-015C	33, 151, 155,
198-074D	159, 163	200-043S	199	800-008C	149, 151, 155,		159, 163
198-074S	159	200-045S	199		171	802-017C	35, 37, 47, 117,
198-085H	155	20030	59	800-009C	151, 155, 159,		147
198-086H	155	201-008D	199		169	802-022C	61, 63, 73, 75,
198-087H	155	201-009D	199	800-010C	173		99, 101
198-089H	155	206-014S	147	800-016C	149	802-024C	197
198-090H	155	206-021D	147	800-028C	145	802-029C	155, 175, 177,
198-092H	155	2153	113	800-029C	165, 169, 171		181
198-095D	159	253016	141	800-032C	135	802-034C	9, 13, 17, 23, 27,
198-096D	159	253017	141	800-035C	105, 115		31, 77, 115
198-104D	179, 183, 185,	253100	141	800-038C	93	802-038C	11, 15, 19
	187, 189, 191,	2A0006	109	800-052C	141	802-039C	61, 63, 75, 107
	193, 195	2A0012	109	800-056C	135	802-041C	39
198-126H	35, 47	2A0022	109	800-060C	165	802-044C	63, 65, 73
198-127D	155	2A0132	109	800-064C	77	802-050C	61
198-127H	159, 163	2A0206	109	800-093C	147	802-051C	179
198-128D	155	2M2326	109	800-101C	41, 43	802-053C	23, 27
198-128H	159, 163	3089	113	800-103C	159, 163	802-055C	23, 27, 83, 89, 93
198-134D	155	313-076S	37	800-107C	133	802-057C	91
198-137D	179, 183, 185,	313-176D	37	800-112C	24, 28	802-058C	175, 179, 181,
	187, 189, 191,	313-186D	33, 37	800-118C	159, 163		183, 185, 189
	193, 195	318917	141	800-121C	33, 37	802-059C	23, 27, 31, 183,
198-139D	155	318951	141	800-127C	57		193
198-140D	155, 159, 163	3R0122	109	800-141C	71	802-060C	191, 197
198-179D	155	400020.030	59	800-148C	24, 28	802-065C	197
198-182D	160, 163	4M2102	109	800-212C	155, 173	802-078C	43, 133
198-183D	173	510334	69	800-213C	151, 173	802-079C	21, 23, 27, 35,
198-201D	163	540005-1	65	800-304C	165		39, 47, 55, 101,
198-202D	163	540017	141	800-310C	147		135
198-215D	47	5M2128	109	800-321C	167	802-082C	23, 27, 83, 89, 93
198-229H	160, 163	6R0070	109	801-001C	71, 137, 143, 145	802-089C	135
198-230H	159	710425	141	801-002C	149, 151, 155,	802-091C	35, 47, 61, 63,
198-231H	159	770026	141		165, 167		75, 93
198-233H	160	770119	69	801-003C	43	802-092C	21, 23, 27, 135,
198-234L	35, 47	772131	69	801-007C	177		137, 145, 152,
198-235H	159	776368	69	801-009C	135		173
198-409H	155	776370	69	801-015C	77	802-099C	99, 199
198-422H	163	776397	69	801-018C	9, 11, 13, 15, 17,	802-100C	195
198-423H	177	778123A	69		19, 31, 137, 159	802-104C	89, 199
198-424H	163	778124A	69	801-019C	73	802-113C	177
198-425H	163	778126A	69	801-035C	13, 15, 21, 61,	802-115C	107
198-426H	163	778127A	69		119, 121, 123,	802-119C	195
198-497H	163	778146A	69		125, 127, 129,	802-121C	151
198-821H	175	778163	69		131, 133, 143,	802-128C	65
199-008A	177	778211	69		145	802-135C	79, 81, 83, 85,
199-009S	177	778273	69	801-045C	41		87, 199
199-010H	177	778319	69	801-054C	107	802-138C	99, 101
199-011D	175, 177, 181	780072	69	801-056C	160	802-147C	155
199-015D	175, 177	780090	69	801-057C	133	802-148C	145
199-017H	179	780095	69	801-059C	79, 87	802-151C	187
199-020H	179	780105A	69	801-064C	65	802-181C	197
199-022H	179	780108	69	801-076C	71	802-196C	133, 175, 177
199-023H	181	784312	69	801-078C	147	802-197C	187, 191, 193
199-024D	177	784371	69	801-084C	147	802-203C	23, 27, 31
		784372	69	801-085C	41	802-214C	75, 77

**Table of Contents    Part Number Index**



# Part Number Index (continued)

Part Number	Page	Part Number	Page	Part Number	Page	Part Number	Page
802-224C	28		107, 111, 115,	804-011C	15, 19, 21, 23,	804-182C	81, 85, 87, 89, 95
802-226C	101		151, 199		27, 37, 55, 61,	805-001C	39
802-228C	151, 155, 159,	803-021C	23, 27, 31, 91,		63, 73, 75	805-004C	103, 197
	163, 173		155, 159, 163,	804-012C	99, 101, 111,	805-016C	143, 197, 199
802-249C	107		197		117, 133, 135,	805-019C	117, 135, 145
802-252C	135	803-023C	61, 63, 75, 79, 87		143, 145, 147,	805-023C	61, 63, 73, 75,
802-253C	107	803-024C	107		151, 155, 159,		143
802-254C	107	803-027C	83, 89, 91, 93,		163	805-032C	35, 47
802-257C	24, 28, 141		105, 115, 197	804-013C	9, 11, 13, 15, 17,	805-037C	197
802-258C	9, 11, 13, 15, 17,	803-029C	199		19, 21, 23, 24,	805-044C	197
	19, 23, 27, 31, 65	803-031C	197		27, 28, 31, 33,	805-045C	83, 89, 93
802-282C	21, 61, 63, 73,	803-032C	197		35, 39, 47, 55,	805-058C	107
	75, 77	803-035C	71, 137, 143, 145		61, 63, 65, 71,	805-062C	163
802-300C	71	803-036C	13, 61, 63, 65,		73, 75, 99, 101,	805-064C	137, 159
802-352C	173		73, 75, 107		111, 115, 117,	805-065C	47
802-366C	159, 163	803-037C	151		133, 135, 143,	805-067C	41, 65, 75, 77,
802-387C	23, 27, 31	803-043C	173		147, 151, 155,		133, 145, 163,
802-388C	9, 11, 13, 15, 17,	803-046C	83, 89, 93		159, 163, 197		175, 177, 181
	19, 23, 27, 31,	803-053C	117	804-014C	175, 177, 181	805-073C	159
	33, 35, 47, 99	803-058C	145	804-015C	9, 11, 13, 15, 17,	805-077C	23, 27
802-399C	199	803-064C	65		19, 23, 27, 31,	805-088C	197
802-411C	33, 37	803-069C	159		35, 39, 47, 61,	805-090C	197
802-415C	155	803-084C	99, 101		63, 75, 77, 83,	805-098C	79, 81, 83, 85,
802-419C	159, 163	803-088C	21, 24, 28, 133,		89, 93, 99, 101,		87, 89, 95
802-420C	155		141, 175, 177,		107, 111, 115,	805-105C	24, 28
802-421C	179, 183, 185,		179, 181, 183,		151, 199	805-125C	65
	187, 189, 191,		185, 189	804-016C	9, 11, 13, 15, 17,	805-148C	81, 85, 87, 89, 95
	193, 195	803-099C	23, 27		19, 61, 63, 65, 75	805-154C	179, 183, 185,
802-425C	33, 37	803-147C	99, 101	804-017C	65, 73, 77, 107		187, 189, 191,
802-427C	151, 167	803-148C	83, 89, 93	804-019C	23, 27, 61, 63,		193, 195
802-436C	61, 63, 75	803-159C	117		75, 91, 159	805-166C	175, 177
802-441C	23, 27	803-169C	9, 11, 13, 15, 17,	804-021C	143	805-168C	24, 28
802-448C	21		19, 23, 27, 31,	804-022C	23, 27, 31, 61,	805-186C	179, 183, 185,
802-467C	15, 19		151, 155, 160,		63, 75, 91, 155,		187, 189, 191,
802-605C	160, 163		163, 179, 183,		159, 163, 175,		193, 195
802-617C	183, 185, 189		185, 187, 189,		179, 181, 183,	805-215C	23, 27
802-648C	155		191, 193, 195		185, 187, 189,	805-246C	199
803-001C	41, 43	803-177C	183, 187, 191,		191, 193, 195,	805-257C	163
803-003C	41, 135, 145		193, 195		197	805-295C	181
803-004C	135	803-178C	61, 63, 65, 73, 75	804-023C	83, 89, 91, 93,	806-004C	13, 17, 31, 151
803-006C	9, 11, 13, 15, 17,	803-187C	55		105, 115, 197	806-005C	35, 39, 47, 99,
	19, 24, 28, 31,	803-194C	133	804-024C	83, 89, 93		111
	43, 133, 137,	803-199C	23, 27, 31, 55	804-025C	117	806-046C	99, 101
	145, 151, 159	803-207C	79, 83	804-027C	197	806-051C	24, 28, 66, 101,
803-007C	43, 179	803-208C	79, 83, 87, 89, 95	804-029C	107, 197		111, 155, 160,
803-008C	21, 23, 27, 61,	803-209C	13, 15, 17, 19,	804-031C	119, 121, 123,		163
	63, 73, 75, 77,		23, 27, 31, 33,		127, 129, 133,	806-066C	151
	135, 137, 143,		35, 37, 47, 99,		143	806-076C	83, 89, 93
	151, 155		151, 167	804-033C	135	806-089C	91
803-011C	33, 37, 107	803-229C	175, 177	804-034C	135	806-093C	91, 105, 115
803-012C	177	803-230C	28	804-036C	33, 37, 65, 143,	806-107C	55
803-013C	101, 107	803-239C	81, 85, 87, 89, 95		151, 155	806-110C	159, 163
803-014C	9, 11, 13, 15, 17,	803-274C	160, 163	804-040C	143, 151, 155,	806-165C	24, 28
	19, 24, 28, 31,	803-293C	24, 28		159, 163, 173,	807-007C	197
	33, 35, 39, 47,	804-001C	143		181	807-020C	137
	55, 61, 63, 65,	804-002C	71, 137, 143, 145	804-041C	175, 177, 181	807-076C	159, 163
	73, 75, 99, 101,	804-003C	137, 143, 145	804-042C	145	807-079C	99, 101
	111, 117, 135,	804-006C	9, 11, 13, 15, 17,	804-043C	65	807-088C	175, 177, 181
	151, 155, 159,		19, 24, 28, 31,	804-044C	145	807-095C	159
	163, 197		43, 71, 79, 83,	804-046C	43	807-101C	147
803-015C	177		87, 89, 133, 137,	804-054C	41, 43	807-106C	33, 37, 179, 183,
803-016C	143		145, 151, 159	804-055C	199		185, 187, 189,
803-017C	79, 81, 83, 85,	804-007C	71, 79, 83, 87,	804-067C	23, 27		191, 193, 195
	95, 199		89, 145, 159	804-071C	79, 83	807-116C	155
803-019C	39, 65, 99, 107	804-009C	21, 23, 27, 61,	804-075C	41	807-118C	151
803-020C	9, 11, 13, 15, 17,		63, 73, 75, 77,	804-078C	147	807-172C	163
	19, 23, 27, 31,		135, 137, 143,	804-079C	160	808-040C	63
	35, 39, 47, 61,		151, 155	804-082C	159	808-046C	61, 63, 75
	63, 75, 77, 83,	804-010C	33, 73, 99, 101	804-088C	65	808-086C	63, 135
	89, 93, 99, 101,			804-097C	79, 83	808-097C	65
				804-098C	79, 83, 87, 89, 95	808-139C	65



# Part Number Index (continued)

Part Number	Page	Part Number	Page	Part Number	Page	Part Number	Page
808-140C	65	814-192C	175	817-191C	147	822-041C	21
808-141C	73	814-194C	175	817-202C	41	822-080C	117
808-142C	65	814-540C	97	817-296C	183, 185	822-083C	135
808-143C	61, 63, 73, 75	814-556C	97	817-297C	189	822-095C	160, 163, 173,
808-157C	71	815-001C	117	817-314C	152, 156		183, 187, 191,
808-160C	71	815-077C	199	817-315C	163		193, 195
808-167C	61, 63, 75	815-082C	199	817-328C	179, 183, 185,	822-103C	133
808-168C	61, 63, 75	816-002C	155, 163		187, 189, 191,	822-117C	79, 81, 83, 85,
808-170C	63, 75, 77	816-007C	149		193, 195		87, 89
809-042C	73	816-011C	199	817-330C	179, 181	822-118C	79, 81, 83, 85,
809-044C	77	816-012C	79, 81, 83, 85,	817-346C	149, 165		87, 89
809-062C	65		87, 89	817-347C	179, 183, 185,	822-119C	61, 63, 73, 75
809-064C	63	816-014C	117		187, 189, 191,	822-126C	63, 75, 77
809-065C	61	816-017C	199		193, 195	822-128C	21
809-092C	73	816-035C	97, 199	817-350C	41	822-170C	175, 179, 181,
809-110C	65, 71	816-112C	43	817-504C	145		183, 185, 189
809-112C	61, 63, 75	816-113C	43	817-516C	24, 28	823-423C	66
809-115C	75, 77, 145	816-114C	151, 169	817-806C	145	823-434C	66
809-135C	65	816-138C	79, 81, 83, 85,	818-003C	49	82464	103
809-137C	73		87, 89	818-019C	197	829-011C	53, 57
809-139C	63, 75	816-150C	169	818-055C	9, 11, 13, 15, 17,	829-089C	57
809-142C	61	816-171C	79, 83, 87, 89		19, 31	830-013C	57
809-147C	61, 63, 75	816-172C	79, 83, 87, 89	818-188C	49	830-034C	57
809-198C	147	816-173C	147	818-190C	49	830-061C	57
810-001C	197	816-178C	159	818-207C	51	830-085C	57
810-012C	103	816-188C	149	818-229C	49	830-087C	57
810-058C	105	816-239C	149	818-230C	49	83198	103
810-076C	197	816-302C	152, 155	818-245C	51	833-492C	24, 28
810-197C	115	816-358C	165	818-295C	41	833-595C	141
810-205C	105, 107, 115	816-513C	167	818-296C	41	833-596C	141
810-310C	109	817-004C	133	818-339C	49	833-683C	28
810-456C	113	817-008C	145	818-369C	49	833-689C	28
811-015C	105, 115	817-009C	145	818-370C	49	833-690C	28
811-017C	105, 115	817-010C	145	818-392C	41	833-694C	28
811-044C	105	817-021C	137, 159	818-398C	49	833-696C	28
811-169C	115	817-022C	195	818-406C	49	833-697C	28
811-213C	197	817-023C	195	818-407C	49	838-102C	49
811-215C	197	817-025C	61, 63, 65, 73,	818-408C	49	838-158C	49
811-281C	105, 115		75, 77	818-409C	49	838-160C	49
811-297C	105, 115	817-026C	145	818-410C	49	838-161C	49
811-300C	105, 115	817-042C	24, 28	818-411C	49	838-174C	49
811-301C	197	817-052C	169	818-412C	49	838-176C	49
811-440C	115	817-053C	135	818-413C	49	838-179C	49
812-005C	197	817-059C	159	818-414C	49	838-180C	49
812-012C	151	817-062C	191, 193	818-415C	49	838-182C	49
812-194C	179, 183, 185,	817-063C	191, 193	818-457C	49	838-183C	49
	187, 189, 191,	817-065C	187	818-458C	49	838-184C	49
	193, 195	817-067C	183	818-459C	49	838-187C	49
812-204C	155	817-068C	133	818-496C	49	838-228C	49
814-005C	97, 199	817-069C	133	818-587C	49	838-235C	49
814-008C	97, 199	817-070C	133	818-590C	49	838-237C	41
814-009C	199	817-071C	133	819-001C	143	838-265C	49
814-010C	195	817-072C	133	819-034C	137	838-266C	49
814-021C	195	817-073C	133	819-041C	145	838-467C	43, 51
814-026C	97, 199	817-074C	133	819-045C	71	838-482C	24, 28, 49
814-034C	179, 181	817-075C	133	819-059C	71	858-669C	49
814-038C	97	817-081C	179	820-080C	155, 173	858-679C	49
814-067C	191, 193	817-083C	159, 163, 177	820-094C	117	890-001C	65
814-068C	187	817-084C	151, 155, 159,	820-155C	173	890-003C	65
814-069C	183		163, 179, 183,	820-187C	151	890-005C	107
814-081C	173		185, 187, 189,	820-256C	151	890-026C	135
814-082C	173		191, 193, 195	822-008C	143	890-153C	9, 11, 15, 19
814-083C	173	817-086C	41	822-018C	199	890-182C	197
814-084C	177	817-087C	133	822-019C	199	890-190C	133
814-085C	175, 177	817-092C	159	822-020C	199	890-198C	183
814-143C	179	817-127C	171	822-021C	199	890-199C	187
814-157C	183, 185	817-132C	179, 183, 185,	822-023C	177	890-221C	37
814-158C	189		187, 189, 191,	822-030C	117	890-282C	71
814-159C	183, 185		193, 195	822-032C	61, 63, 73, 75	890-295C	65
814-160C	189	817-133C	151, 155	822-033C	199	890-305C	41
814-174C	179, 181	817-134C	147	822-034C	199	890-308C	33



# Part Number Index (continued)

Part Number	Page	Part Number	Page
890-311C	24	dwg13274	197
890-312C	24	dwg13275	199
890-349C	145	dwg13455	149
890-350C	119, 121, 123, 125, 127, 129, 131, 133, 143	dwg13722	45
890-390C	24	dwg13740	11
890-452C	155, 173	dwg13742	77
890-466C	151, 173	dwg13743	171
890-524C	175, 177, 181	dwg13756	15
890-598C	175, 177, 181	dwg13757	19
890-614C	117	dwg13760	13
890-640C	24	dwg13761	17
890-648C	24	dwg14078	103
990-024R	135	dwg14407	53
990-082R	57	dwg14411	39
A-1845	103	dwg14723	133
A-1906	103	dwg14795	179
A-2526	103	dwg16040	189
B-988	103	dwg16041	185
BO-47	117	dwg16042	193
dwg	165	dwg16109	151
dwg 11974	65	dwg16627	163
dwg 12734	107	dwg16714	59
dwg 15481	117	dwg17029	145
dwg 38164	43	dwg17030	51
dwg10633	137	dwg18017	101
dwg11184	177	dwg18176	57
dwg11205	173	dwg18177	55
dwg11970	47	dwg18784	87
dwg11971	23	dwg18785	95
dwg11975	155	dwg18786	93
dwg11976	37	dwg18826	97
dwg11982	41	dwg19325	167
dwg11983	49	dwg19901	175
dwg12024	113	dwg22548	81
dwg12034	195	dwg22549	85
dwg12037	191	dwg24412	91
dwg12038	187	dwg27029	181
dwg12039	183	dwg29460	121
dwg12044	143	dwg34220	141
dwg12056	69	dwg36034	27
dwg12065	73	V-07153	53
dwg12069	127	V2B25F	59
dwg12071	129		
dwg12072	71		
dwg12077	131		
dwg12078	123		
dwg12091	125		
dwg12114	99		
dwg12152	9		
dwg12165	75		
dwg12176	159		
dwg12194	169		
dwg12224	109		
dwg12232	115		
dwg12235	105		
dwg12368	79		
dwg12439	31		
dwg12440	135		
dwg12441	63		
dwg12444	33		
dwg12465	35		
dwg12511	139		
dwg12676	119		
dwg12692	61		
dwg12693	21		
dwg12940	89		
dwg12951	83		
dwg13037	147		
dwg13152	111		



Great Plains Mfg., Inc.  
1525 E. North Street  
Salina, Kansas 67401 USA

[www.greatplainsmfg.com](http://www.greatplainsmfg.com)

---